

US00D712488S

(12) **United States Design Patent**
Strand

(10) **Patent No.:** **US D712,488 S**

(45) **Date of Patent:** **** Sep. 2, 2014**

(54) **POSITIONING ELEMENT FOR CONSTRUCTION TOY**

(71) Applicant: **LaVonne Strand**, Folcroft, PA (US)

(72) Inventor: **LaVonne Strand**, Folcroft, PA (US)

(73) Assignee: **K'NEX Limited Partnership Group**, Hatfield, PA (US)

(**) Term: **14 Years**

(21) Appl. No.: **29/472,660**

(22) Filed: **Nov. 14, 2013**

(51) **LOC (10) Cl.** **21-01**

(52) **U.S. Cl.**
USPC **D21/484**; D21/487; D21/502; D21/503

(58) **Field of Classification Search**
CPC A63H 33/00; A63H 33/04; A63H 33/06;
A63H 33/08; A63H 33/10; A63H 33/12;
A63H 33/14; A63F 9/02; A63F 9/12; G09B
1/36
USPC D21/484-505; D8/382; 273/153, 156;
446/69, 85, 102-128; 434/259

See application file for complete search history.

(56) **References Cited**

U.S. PATENT DOCUMENTS

4,161,375 A *	7/1979	Murphy	403/169
D356,025 S *	3/1995	Kuwata	D8/382
D384,987 S *	10/1997	Schmidt	D21/503
D387,399 S *	12/1997	Schmidt	D21/487
5,752,869 A *	5/1998	Huff	446/104
D550,307 S *	9/2007	Glickman	D21/484
D563,485 S *	3/2008	Glickman	D21/484

* cited by examiner

Primary Examiner — Cynthia M Chin

(74) *Attorney, Agent, or Firm* — St. One Steward Johnston & Reens LLC

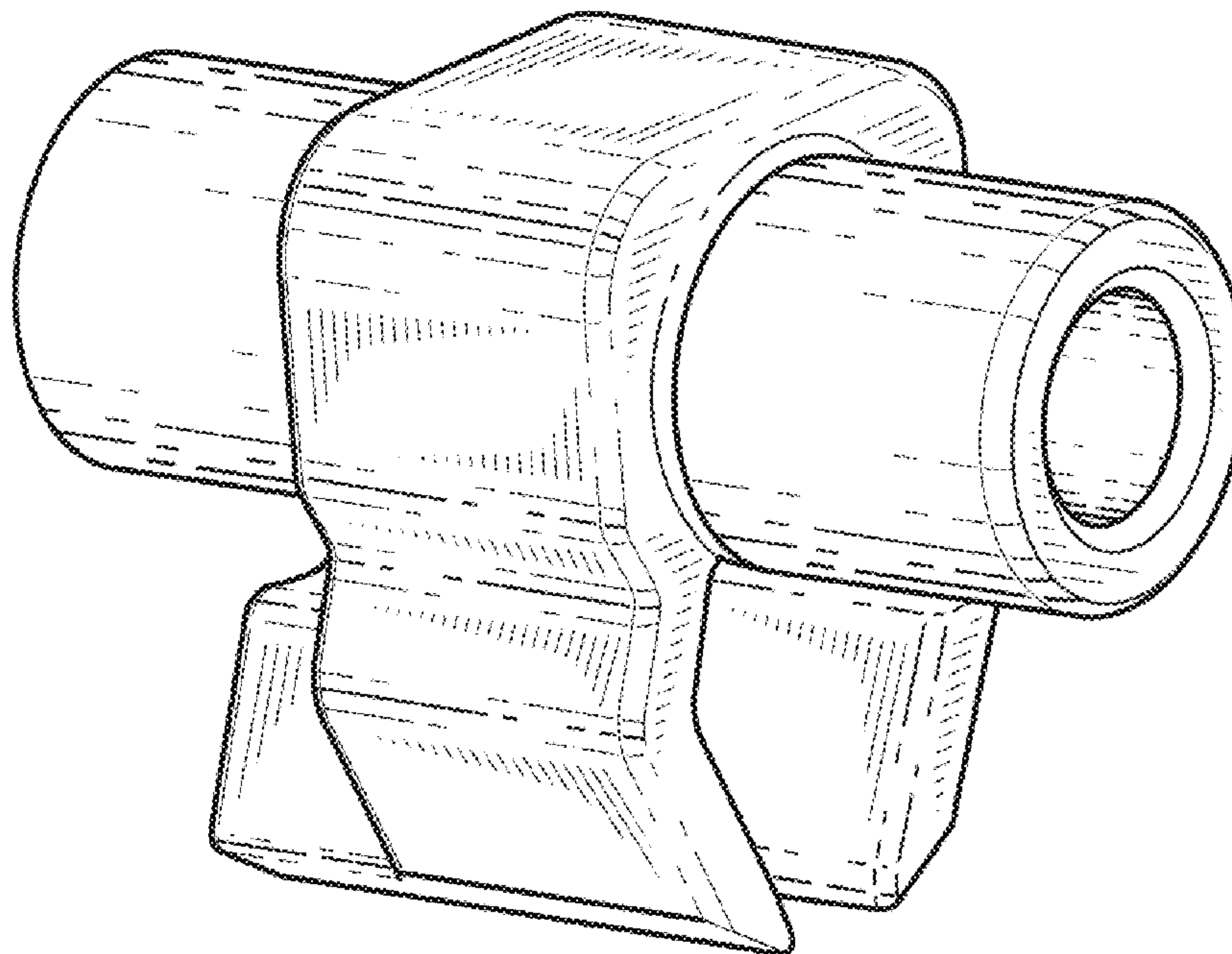
(57) **CLAIM**

The ornamental design for a positioning element for construction toy, as shown and described.

DESCRIPTION

FIG. 1 is a front isometric view of a positioning element for construction toy in accordance with the new design; FIG. 2 is a back isometric view thereof; FIG. 3 is a side elevational view thereof; FIG. 4 is a front elevational view thereof; FIG. 5 is a back elevational view thereof; FIG. 6 is a top plan view thereof; and, FIG. 7 is a bottom plan view thereof.

1 Claim, 3 Drawing Sheets



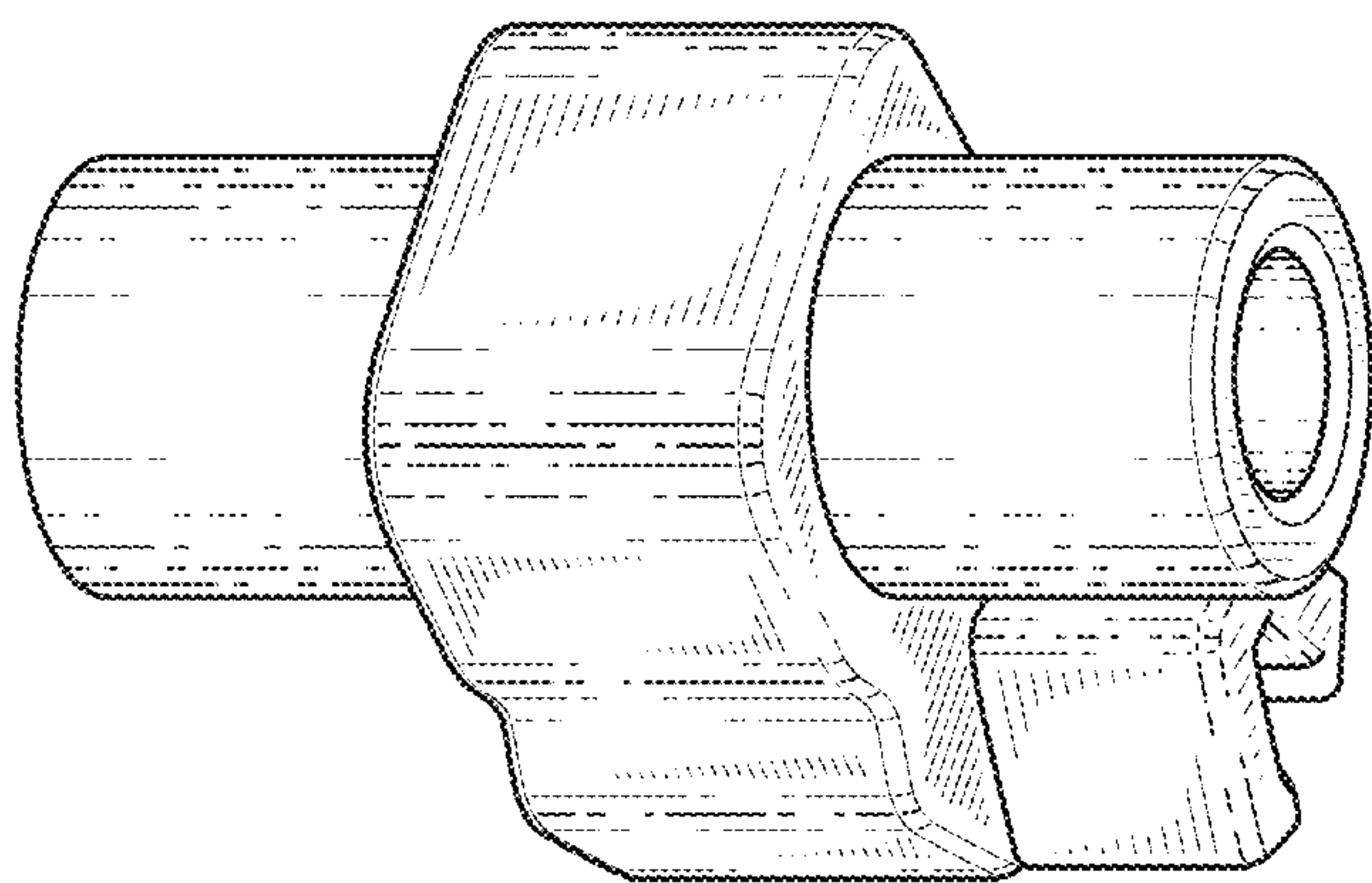


FIG. 1

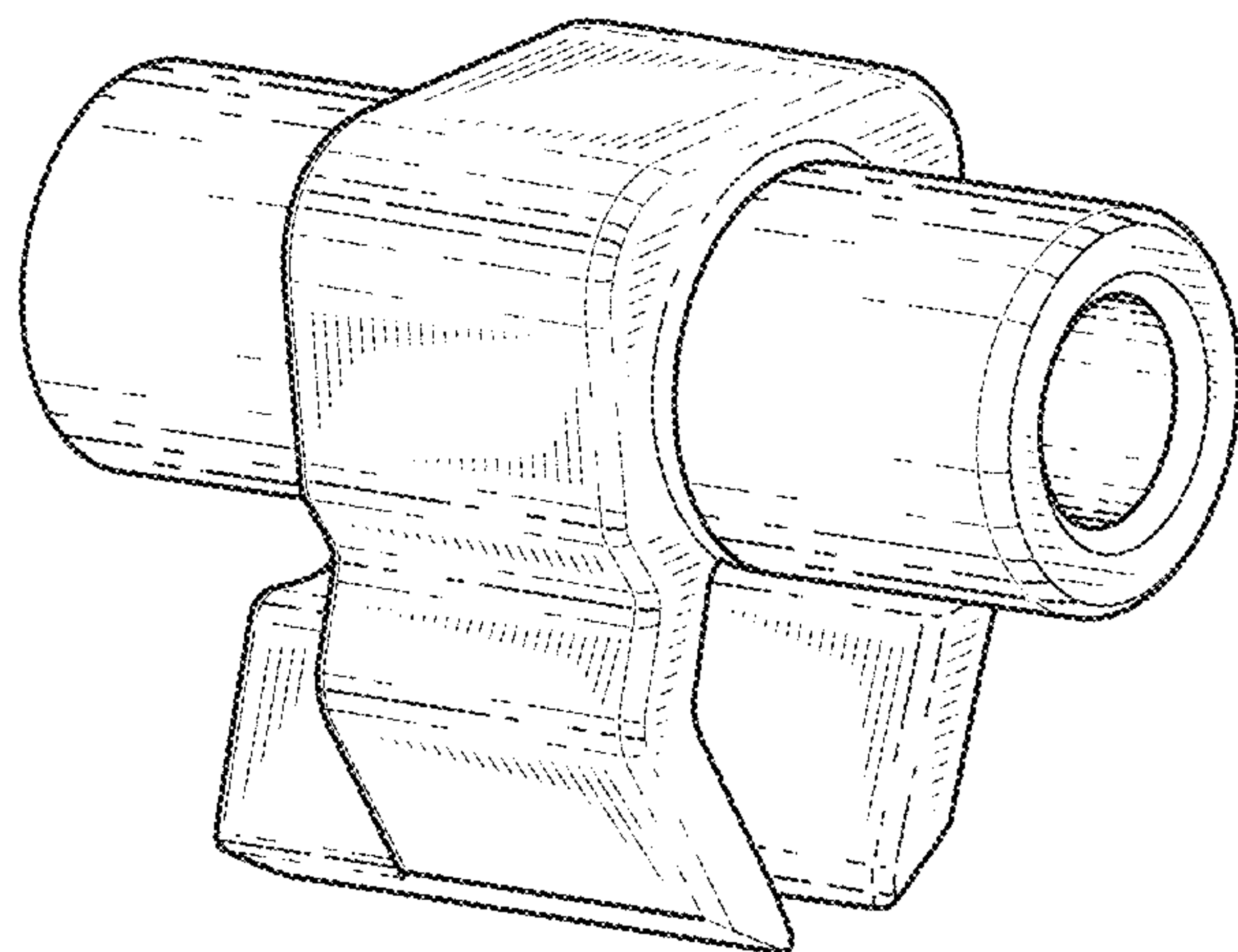


FIG. 2

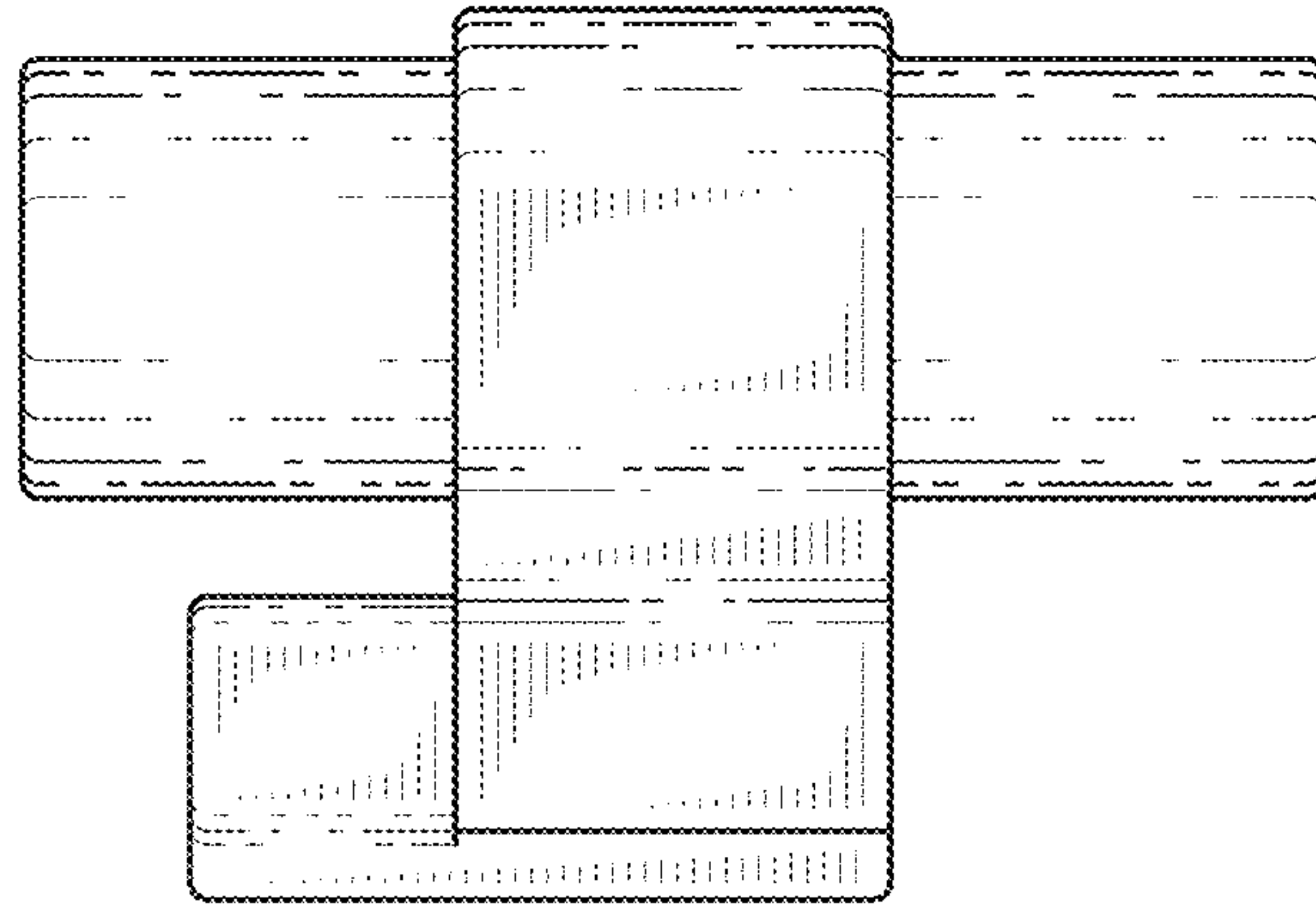


FIG. 3

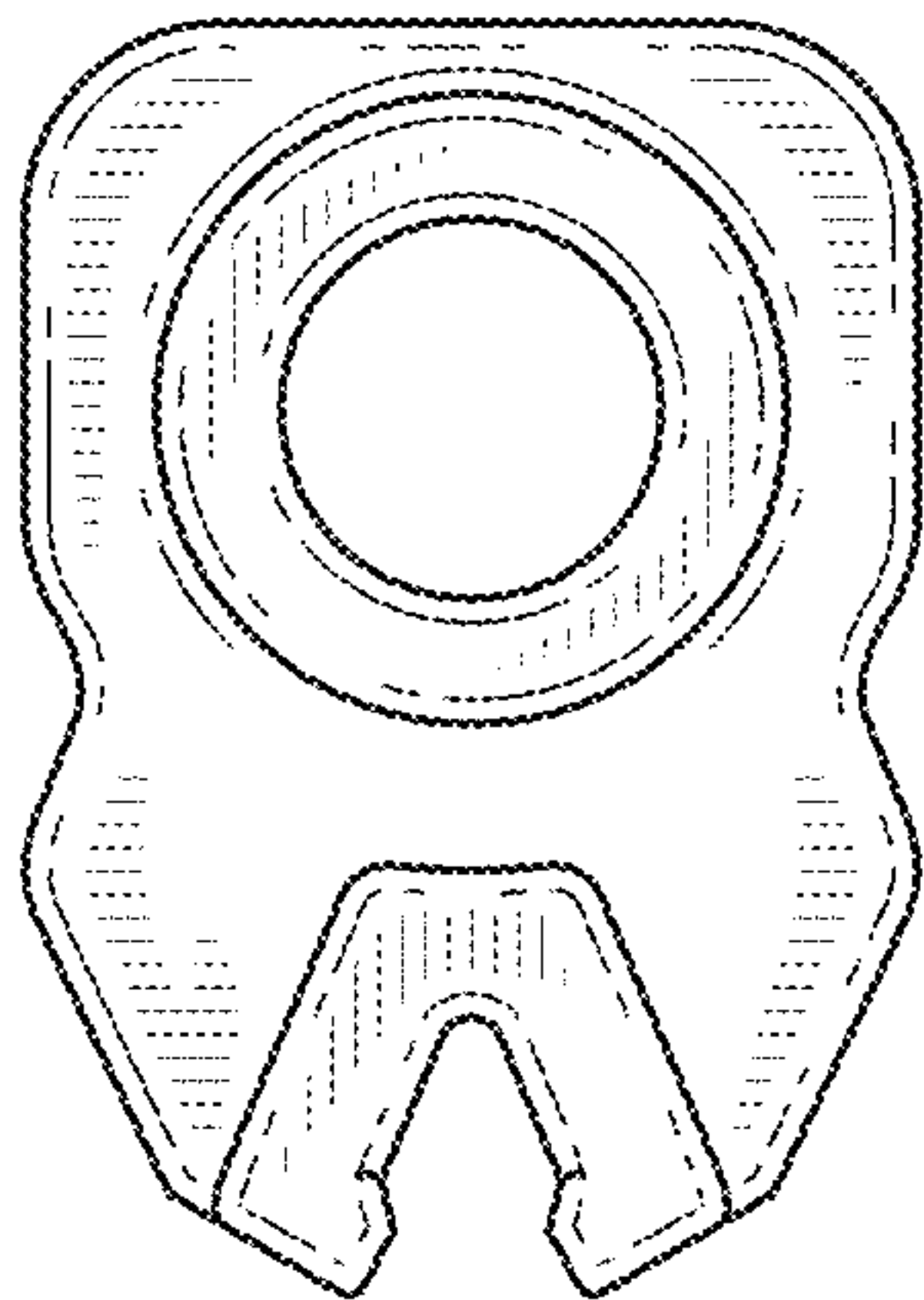


FIG. 4

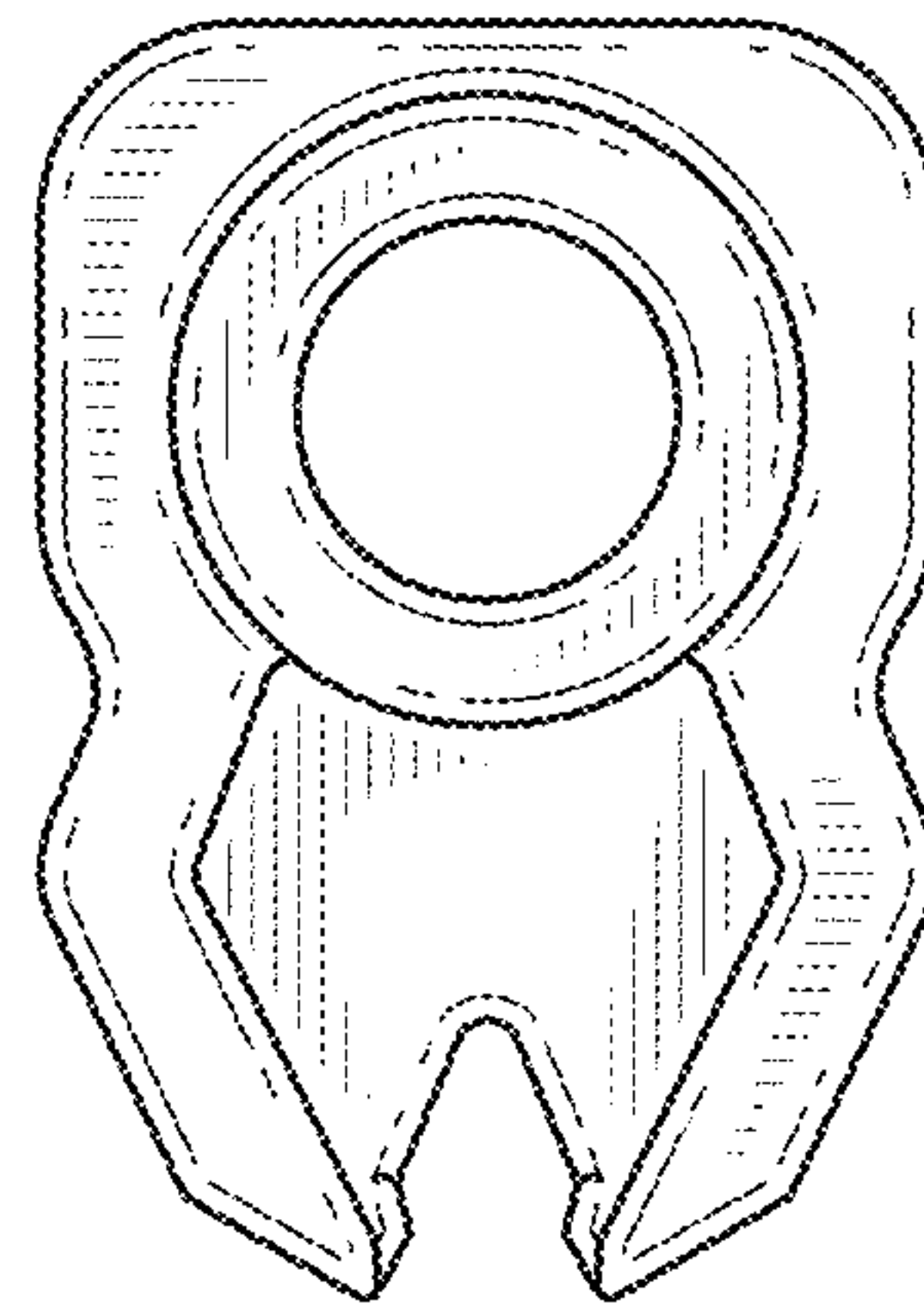


FIG. 5

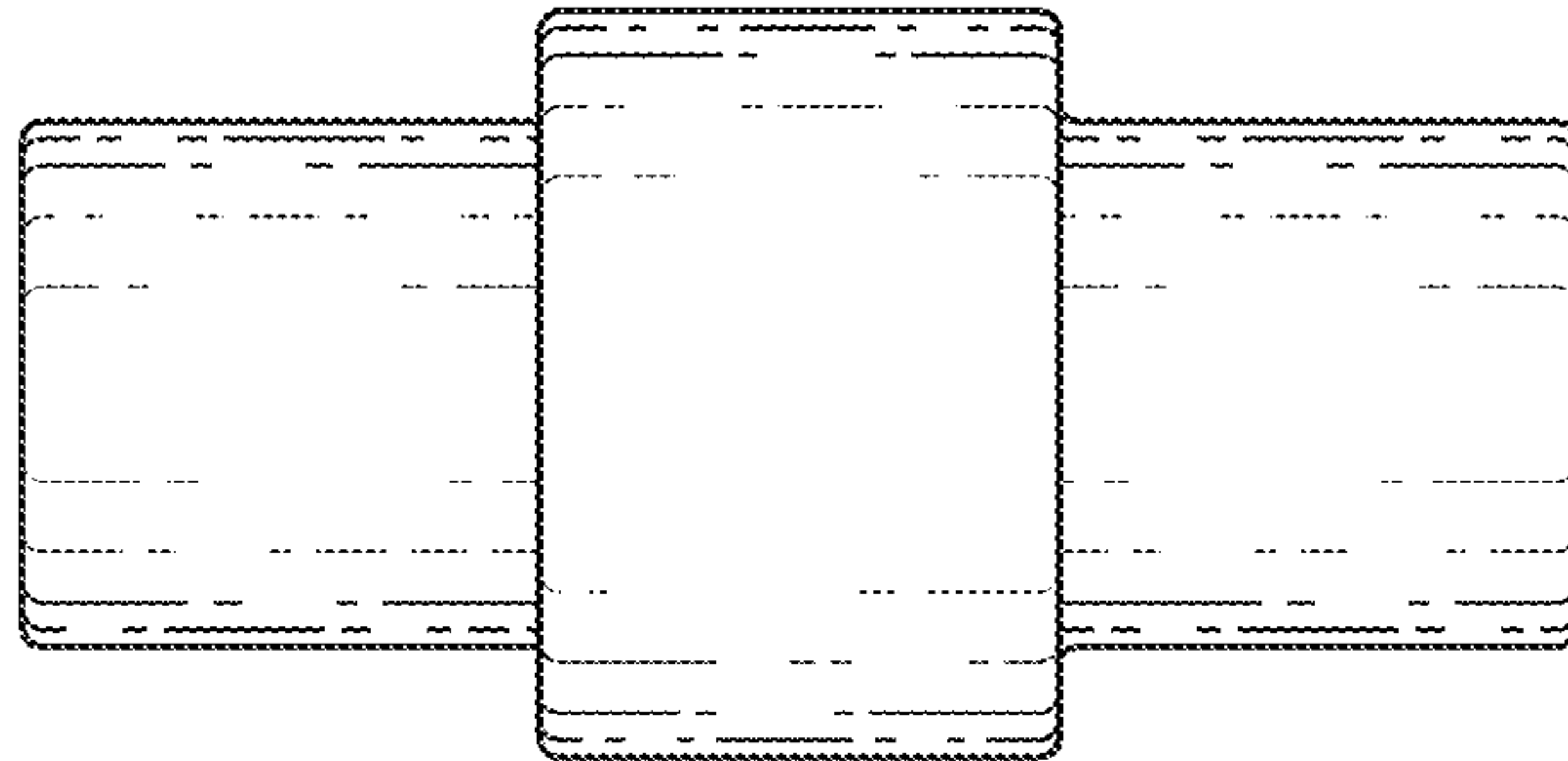


FIG. 6

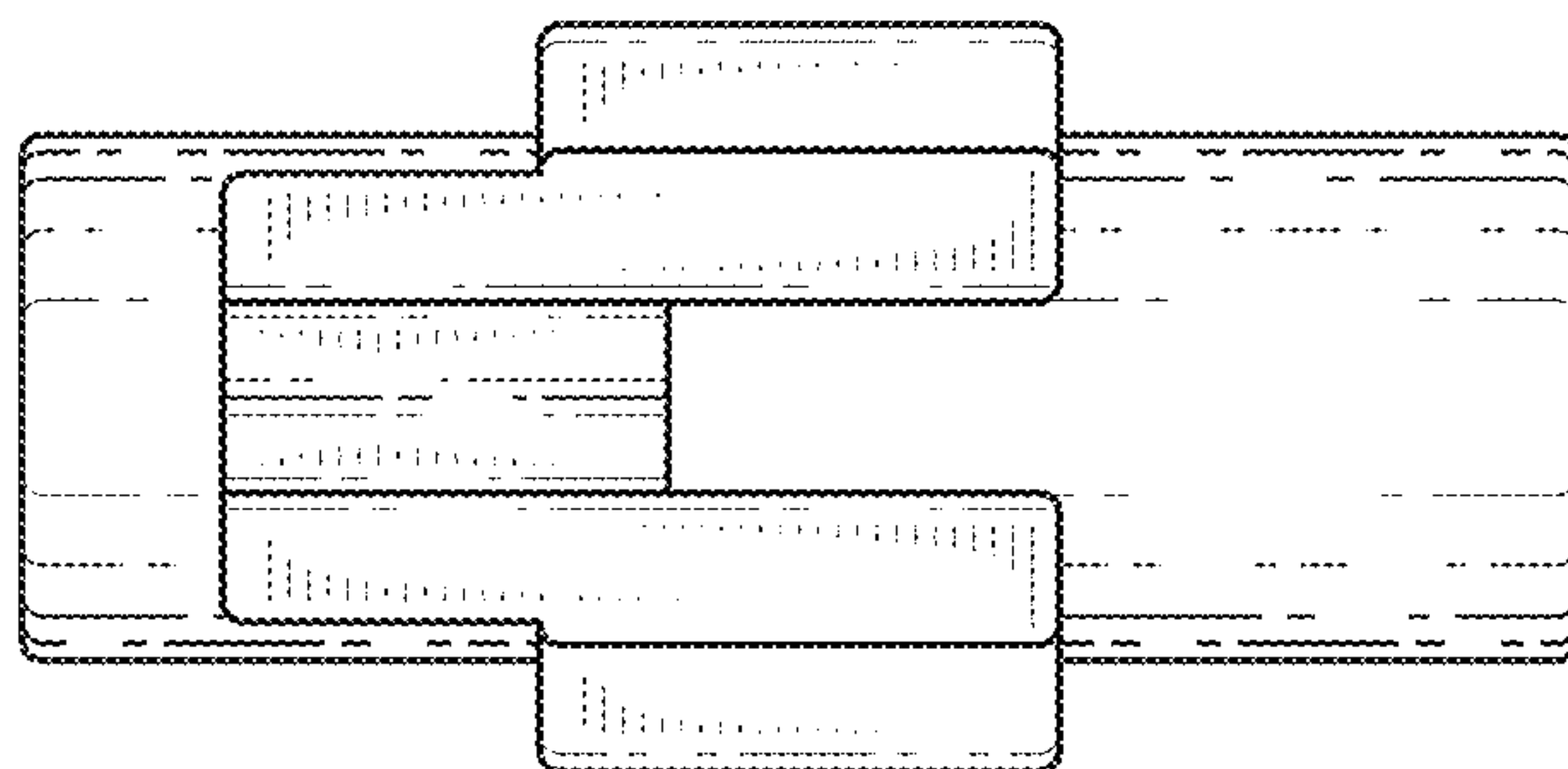


FIG. 7