



US00D712487S

(12) **United States Design Patent**  
**Strand**

(10) **Patent No.:** **US D712,487 S**

(45) **Date of Patent:** **\*\* Sep. 2, 2014**

(54) **POSITIONING ELEMENT FOR CONSTRUCTION TOY**

(71) Applicant: **LaVonne Strand**, Folcroft, PA (US)

(72) Inventor: **LaVonne Strand**, Folcroft, PA (US)

(73) Assignee: **K'Nex Limited Partnership Group**, Hatfield, PA (US)

(\*\*) Term: **14 Years**

(21) Appl. No.: **29/472,657**

(22) Filed: **Nov. 14, 2013**

(51) **LOC (10) Cl.** ..... **21-01**

(52) **U.S. Cl.**  
USPC ..... **D21/484**; D21/502; D21/503

(58) **Field of Classification Search**  
CPC ..... A63H 33/00; A63H 33/04; A63H 33/06;  
A63H 33/08; A63H 33/10; A63H 33/12;  
A63H 33/14; A63F 9/08; A63F 9/12; G09B  
1/36  
USPC ..... D21/49-495, 500-505; D8/354, 382;  
446/69, 89, 92, 102-128; 434/259,  
434/208, 403; 52/503; 273/153, 156, 160  
See application file for complete search history.

(56) **References Cited**

U.S. PATENT DOCUMENTS

D308,708 S *	6/1990	Poulsen .....	D21/495
D343,428 S *	1/1994	Spangsberg et al. ....	D21/484
D344,769 S *	3/1994	Poulsen .....	D21/502
D360,000 S *	7/1995	Hatting et al. ....	D21/502
D384,987 S *	10/1997	Schmidt .....	D21/503
D387,399 S *	12/1997	Schmidt .....	D21/487
5,752,869 A *	5/1998	Huff .....	446/104
D415,217 S *	10/1999	Rudy .....	D21/503
6,325,694 B1 *	12/2001	Clever et al. ....	446/104
D516,135 S *	2/2006	Kim .....	D21/503
D550,307 S *	9/2007	Glickman .....	D21/484
D573,202 S *	7/2008	Chun .....	D21/503

\* cited by examiner

*Primary Examiner* — Cynthia M Chin

(74) *Attorney, Agent, or Firm* — St. One Steward Johnston & Reens LLC

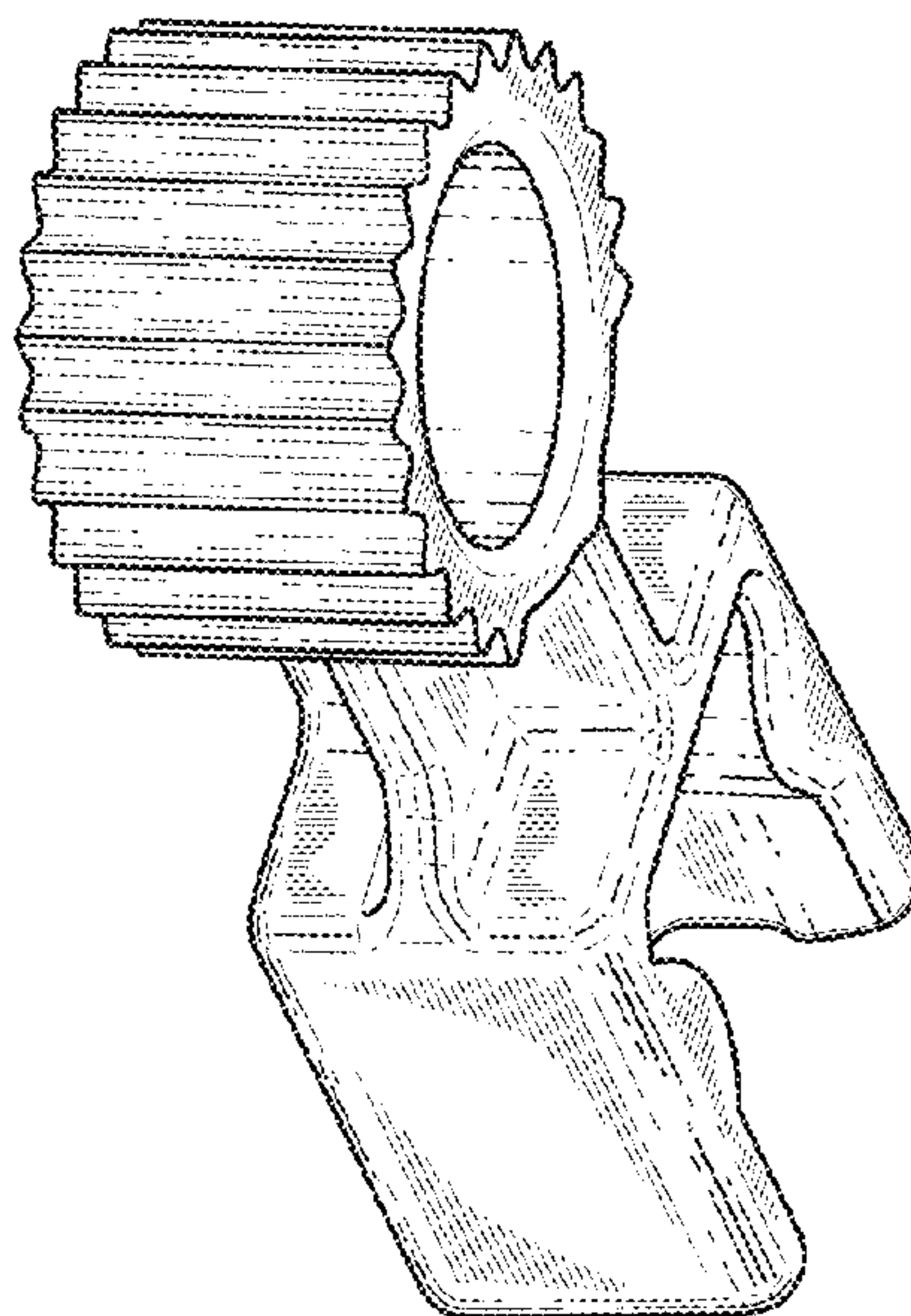
(57) **CLAIM**

The ornamental design for a positioning element for construction toy, as shown and described.

**DESCRIPTION**

FIG. 1 is a front isometric view of a positioning element for construction toy in accordance with the new design; FIG. 2 is a front view thereof, the back view thereof being the same; FIG. 3 is a side view thereof, the opposite side view being the same; FIG. 4 is a top view thereof; and, FIG. 5 is a bottom view thereof.

**1 Claim, 2 Drawing Sheets**



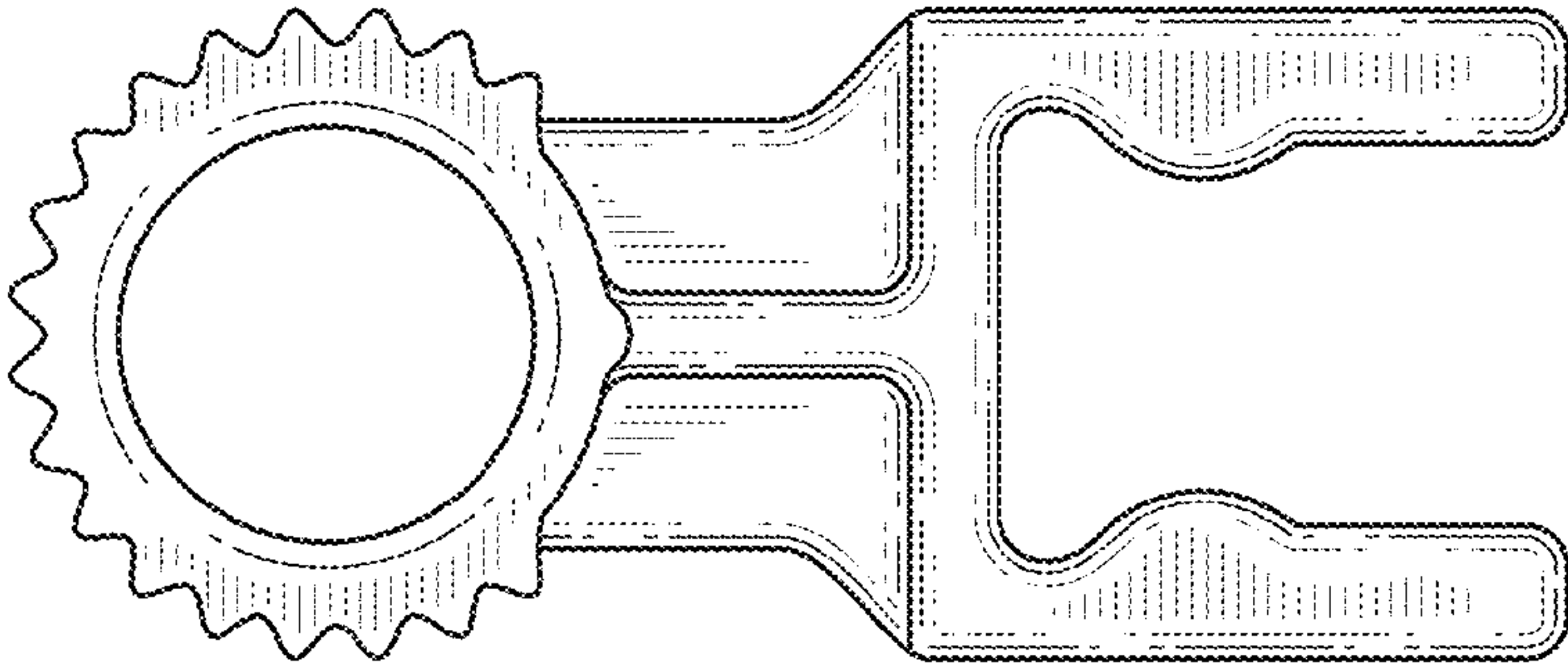


FIG. 2

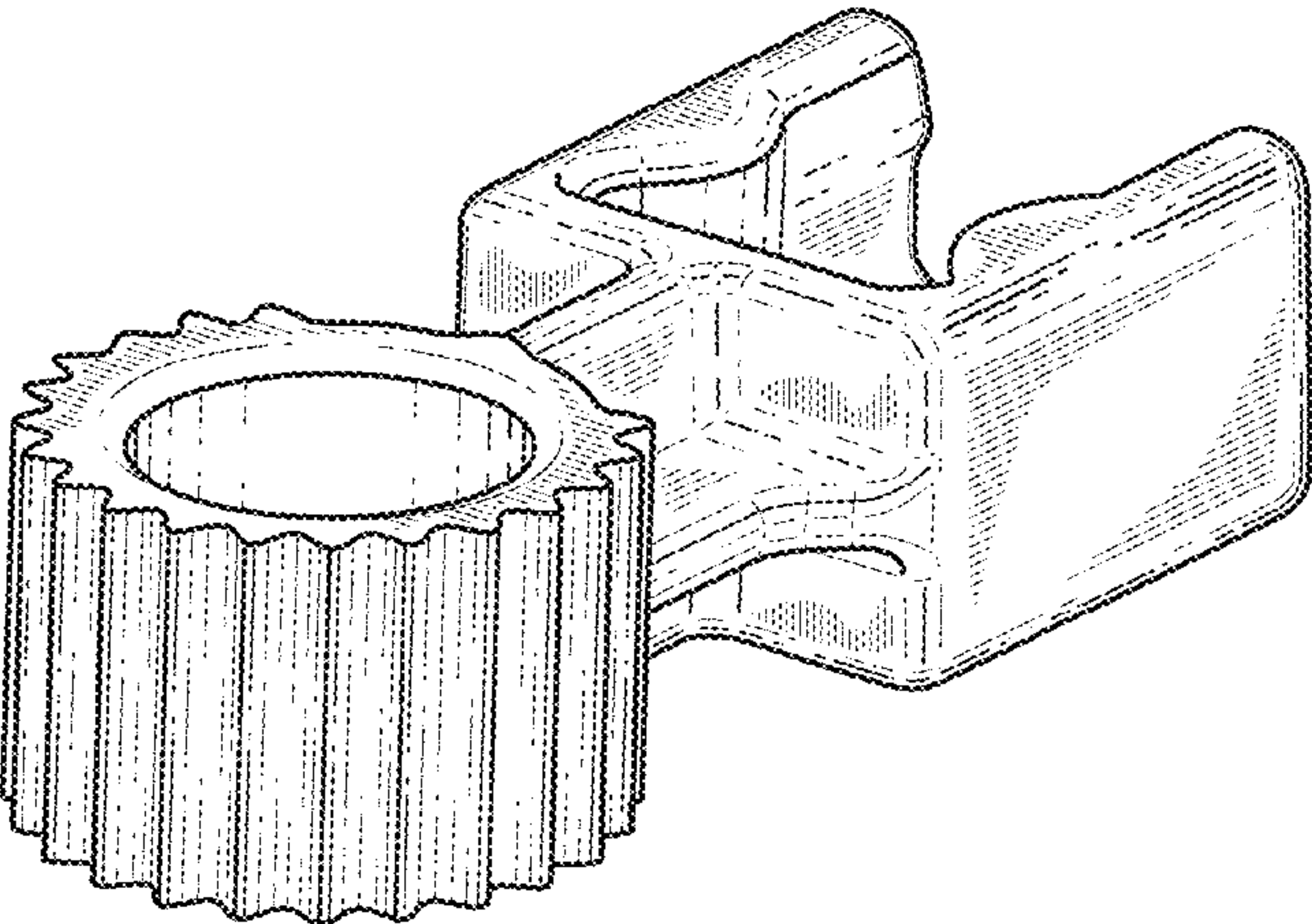


FIG. 1

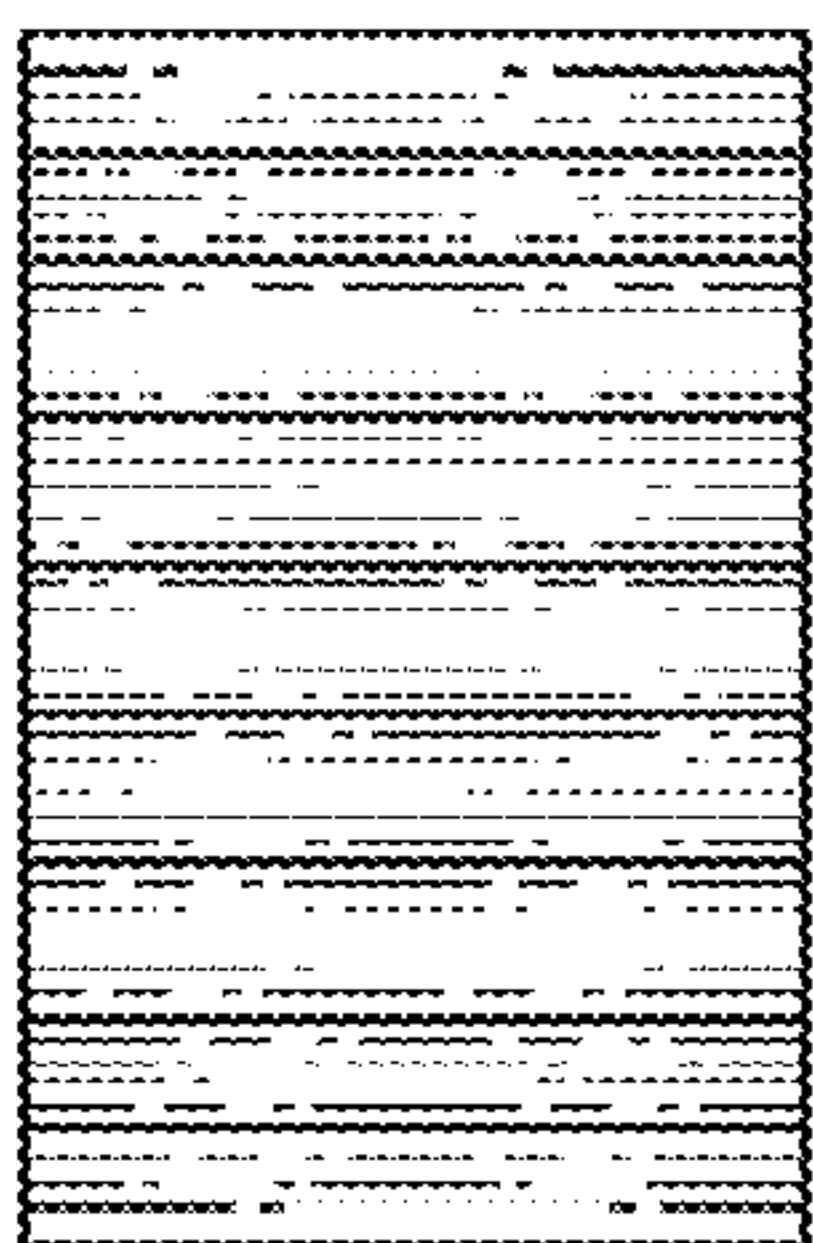


FIG. 4

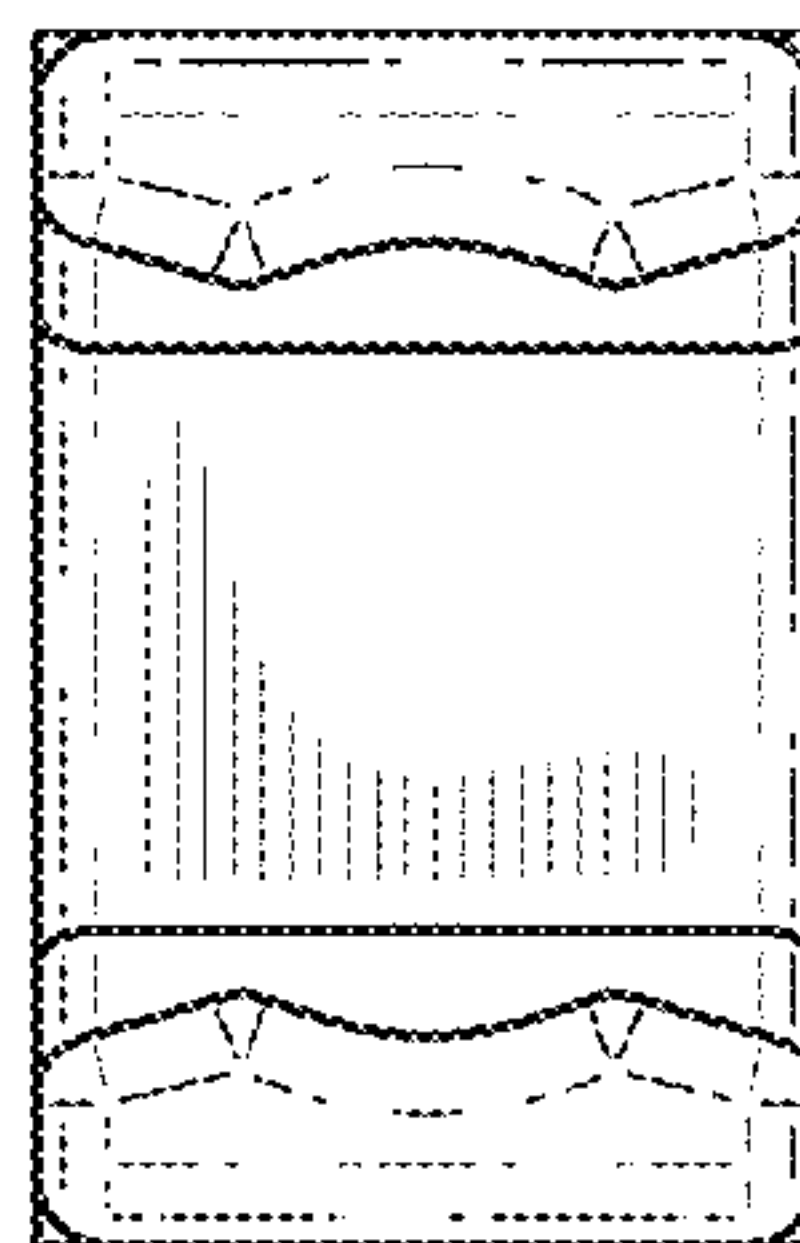


FIG. 5

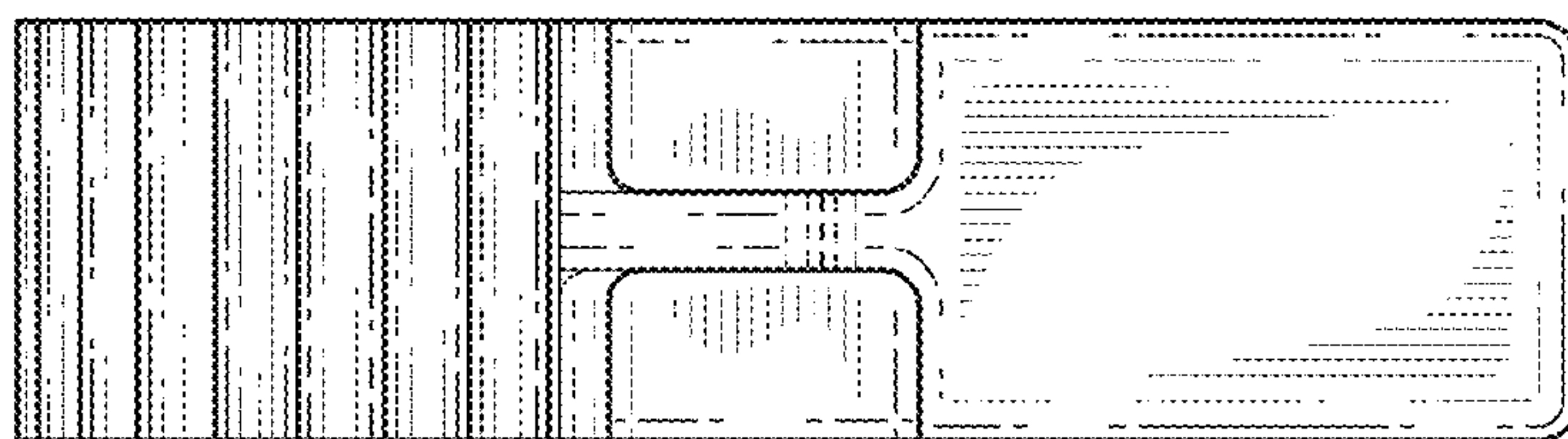


FIG. 3