



US00D712486S

(12) **United States Design Patent**  
**Tseng**

(10) **Patent No.:** **US D712,486 S**

(45) **Date of Patent:** **\*\* Sep. 2, 2014**

(54) **CARD COLLECTION DEVICE FOR  
AUTOMATIC CARD SHUFFLER**

7,740,244 B2 \* 6/2010 Ho ..... 273/149 R  
D646,338 S \* 10/2011 Scheper et al. .... D21/396  
2009/0283969 A1 \* 11/2009 Tseng ..... 273/149 R

(71) Applicant: **Tzu-Hsiang Tseng**, Taichung (TW)

\* cited by examiner

(72) Inventor: **Tzu-Hsiang Tseng**, Taichung (TW)

*Primary Examiner* — George D Kirschbaum

(\*\*) Term: **14 Years**

(74) *Attorney, Agent, or Firm* — Raymond Y. Chan; David and Raymond Patent Firm

(21) Appl. No.: **29/486,592**

(57) **CLAIM**

The ornamental design for a card collection device for automatic card shuffler, as shown and described.

(22) Filed: **Mar. 31, 2014**

(51) **LOC (10) Cl.** ..... **21-01**

**DESCRIPTION**

(52) **U.S. Cl.**  
USPC ..... **D21/394**

(58) **Field of Classification Search**  
USPC ..... D21/307–308, 334–368, 376–397;  
273/236–287, 288–291, 149 R;  
211/88.01; D6/407

FIG. 1 is a perspective view of card collection device for automatic card shuffler showing my new design.

FIG. 2 is a front elevational view thereof.

FIG. 3 is a rear elevational view thereof.

FIG. 4 right side elevational view thereof.

FIG. 5 is a left side elevational view thereof.

FIG. 6 is a top plan view thereof.

FIG. 7 is a bottom plan view thereof; and,

FIG. 8 is a perspective view thereof.

The broken line showing of an automatic card shuffler is included for the purpose of illustrating portions of the “article” and forms no part of the claimed design.

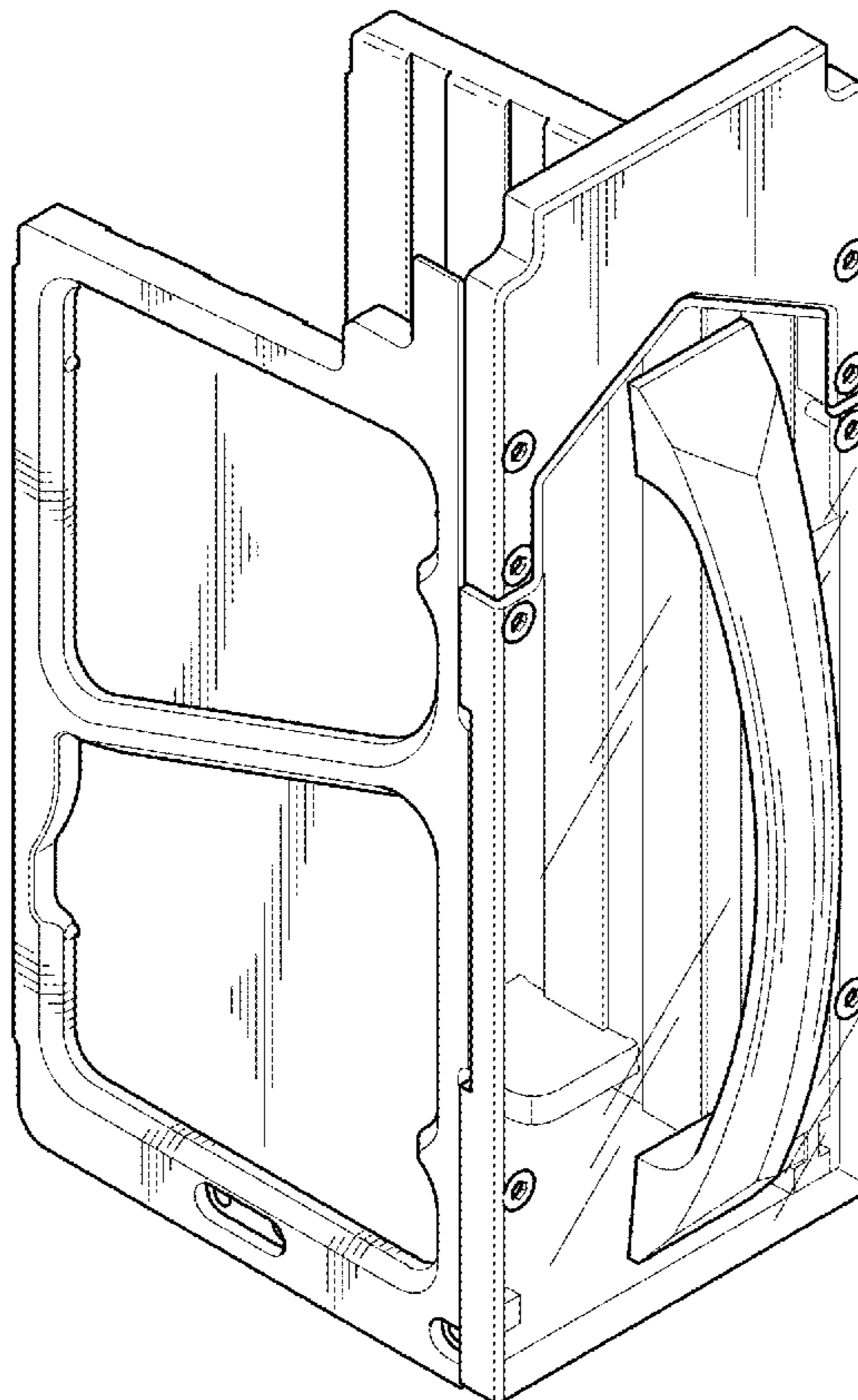
See application file for complete search history.

(56) **References Cited**

**U.S. PATENT DOCUMENTS**

D274,069 S \* 5/1984 Fromm ..... D21/392  
4,684,030 A \* 8/1987 Gurzynski ..... 211/88.01  
D403,528 S \* 1/1999 Dow et al. .... D6/407

**1 Claim, 8 Drawing Sheets**



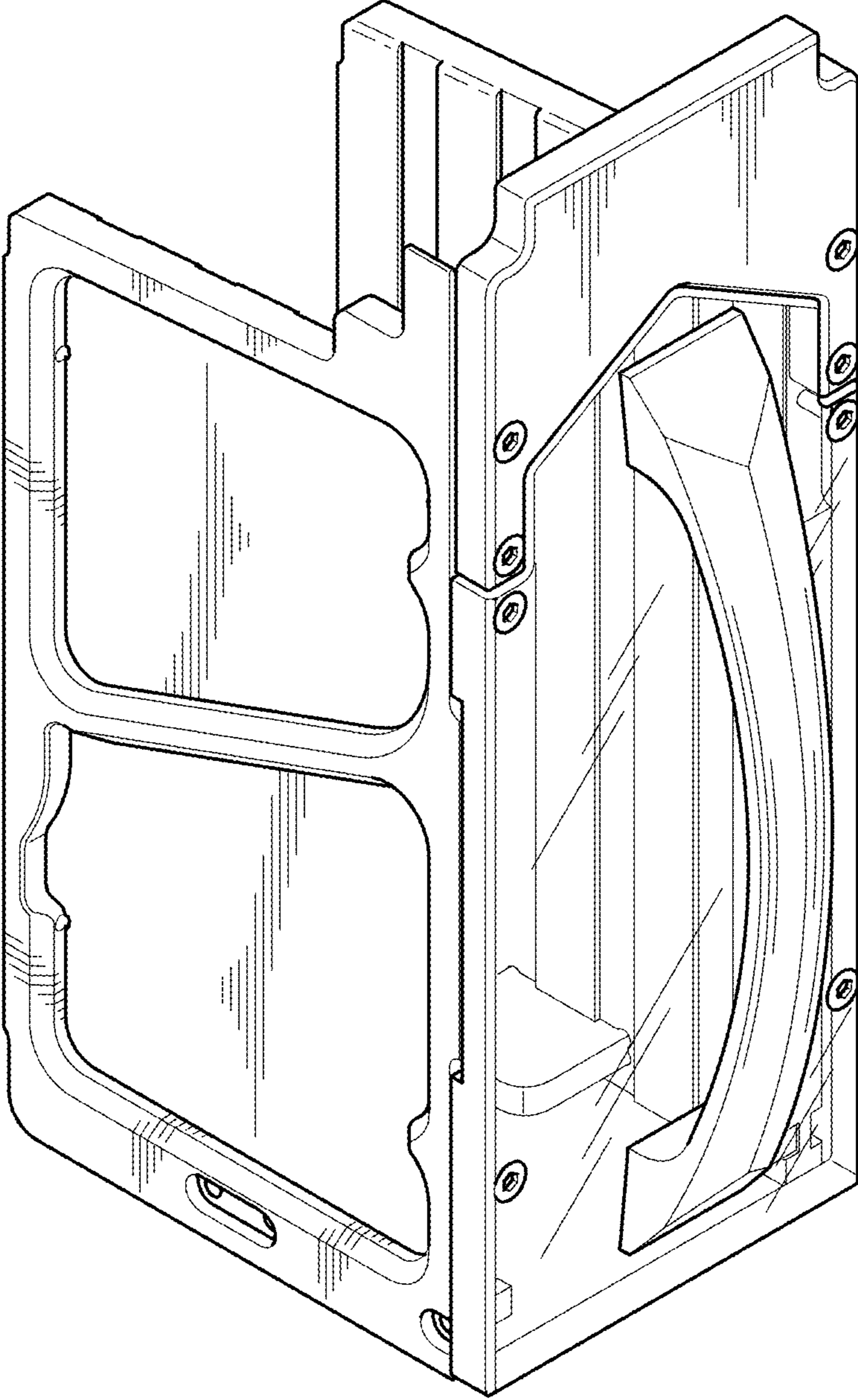


FIG.1

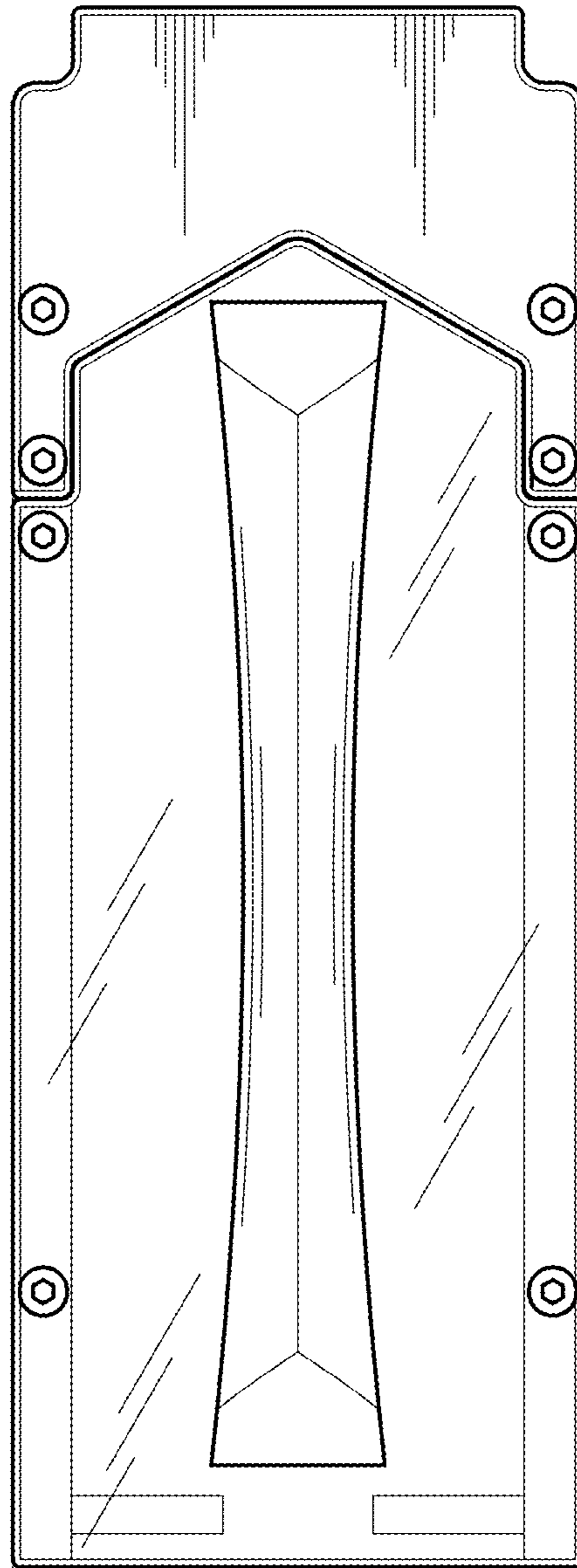


FIG.2

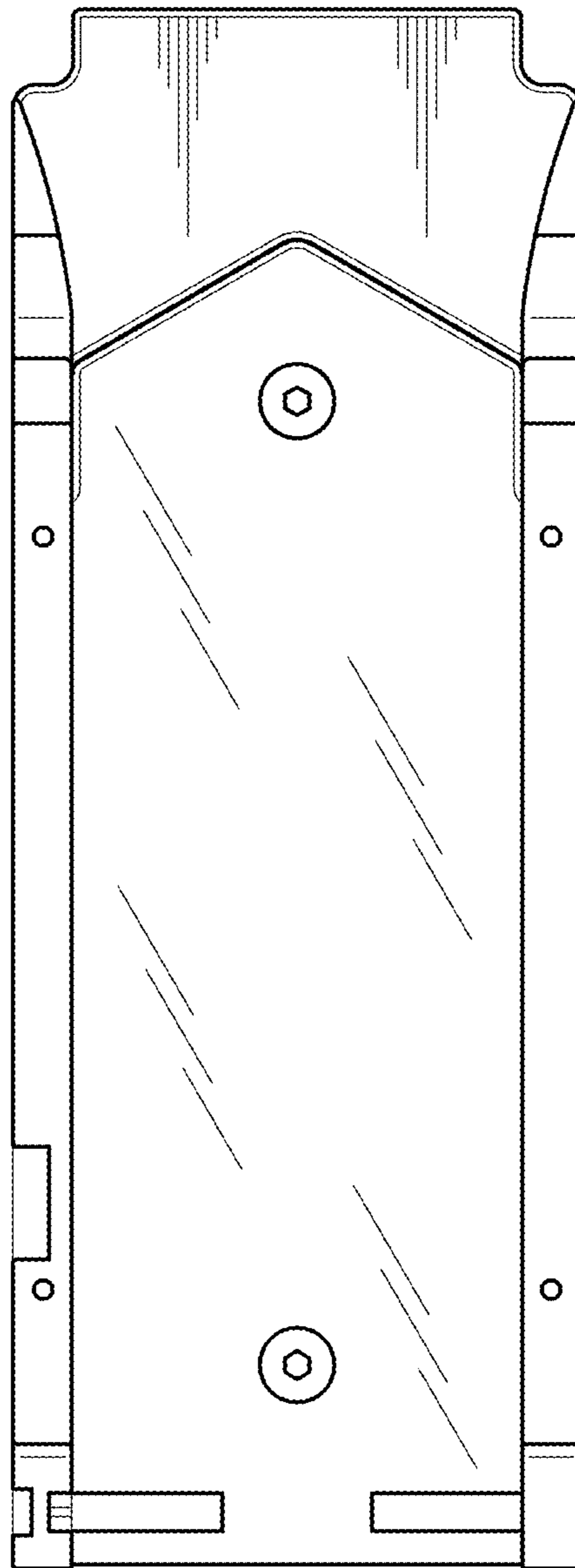


FIG.3

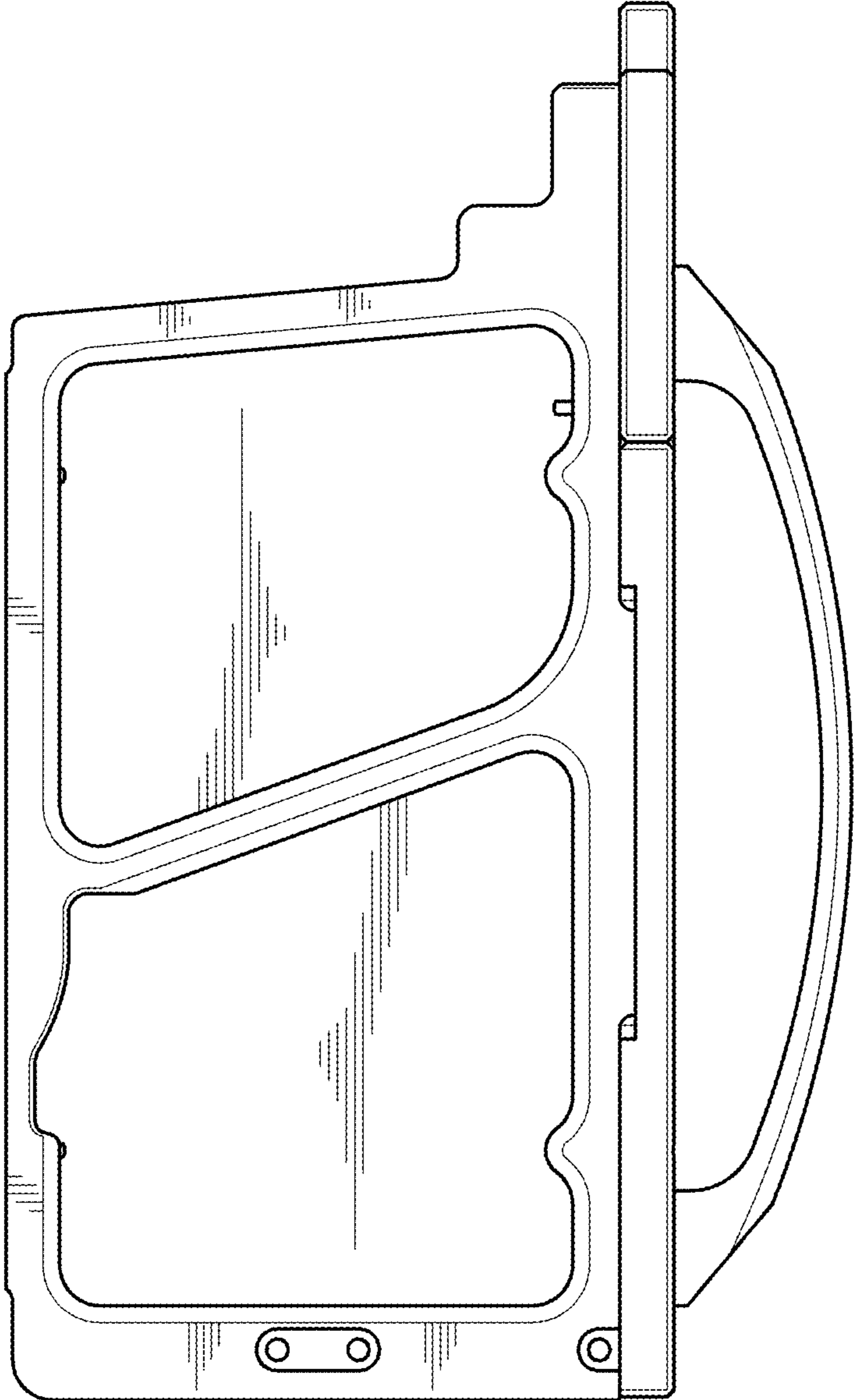


FIG.4



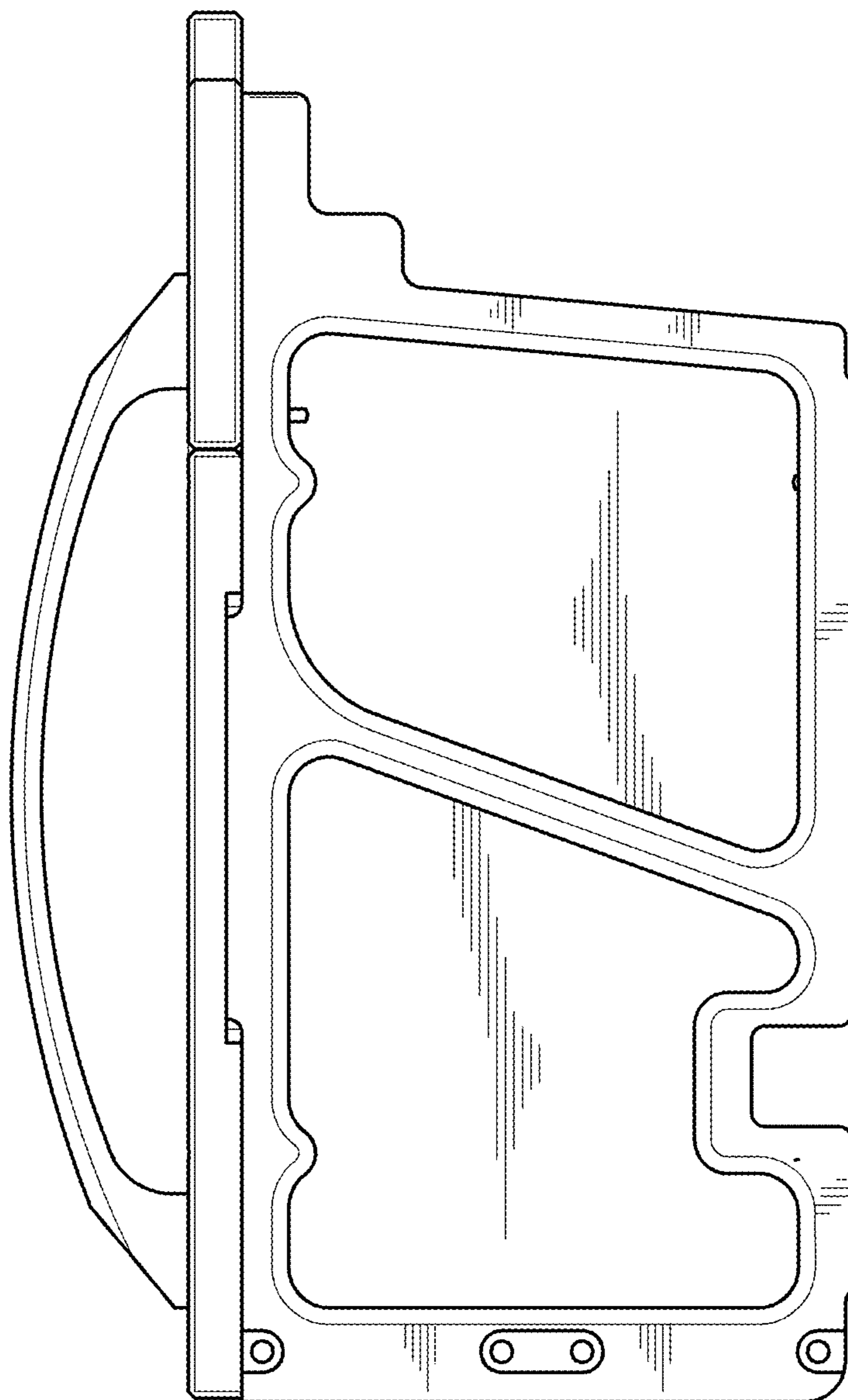


FIG.5

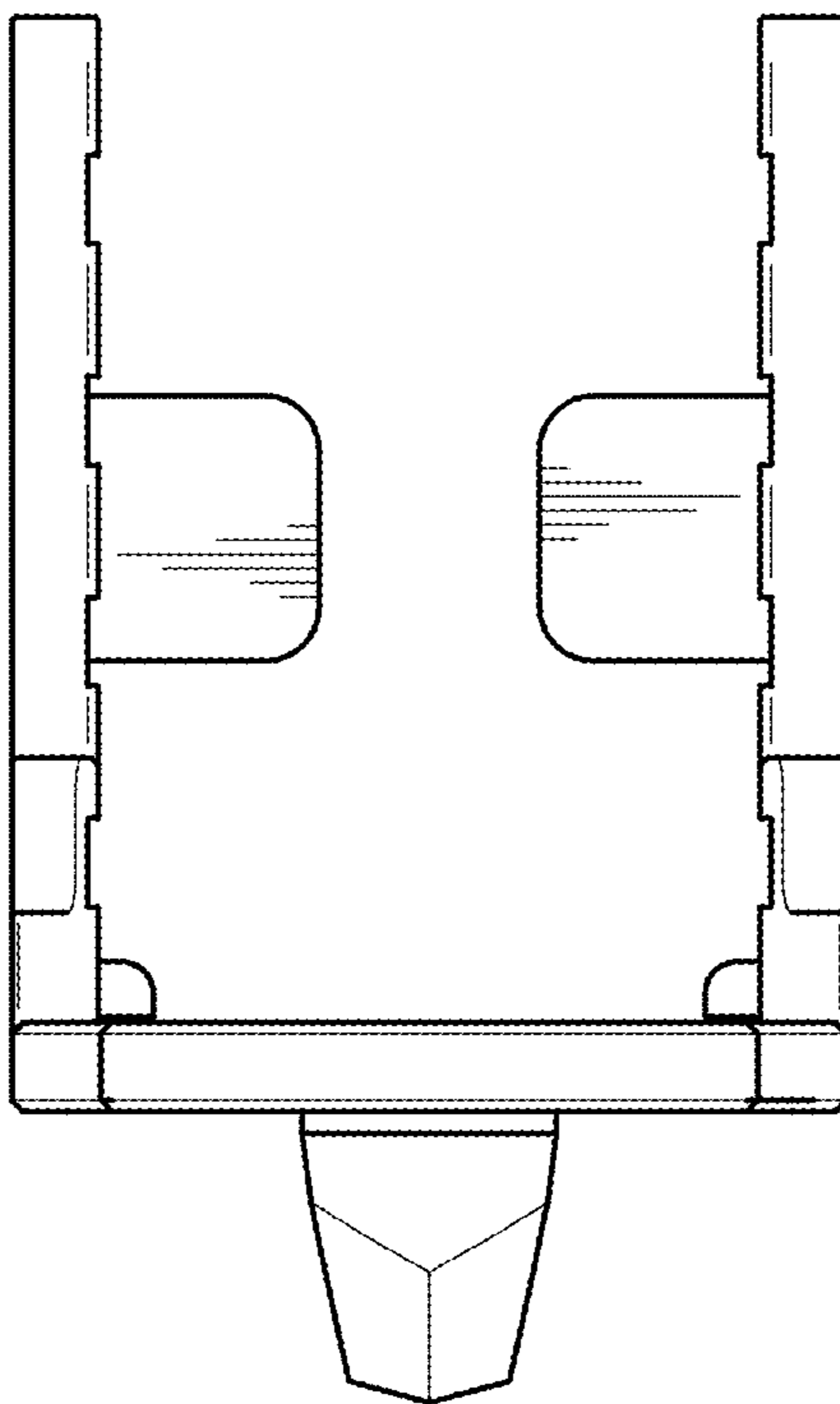


FIG.6

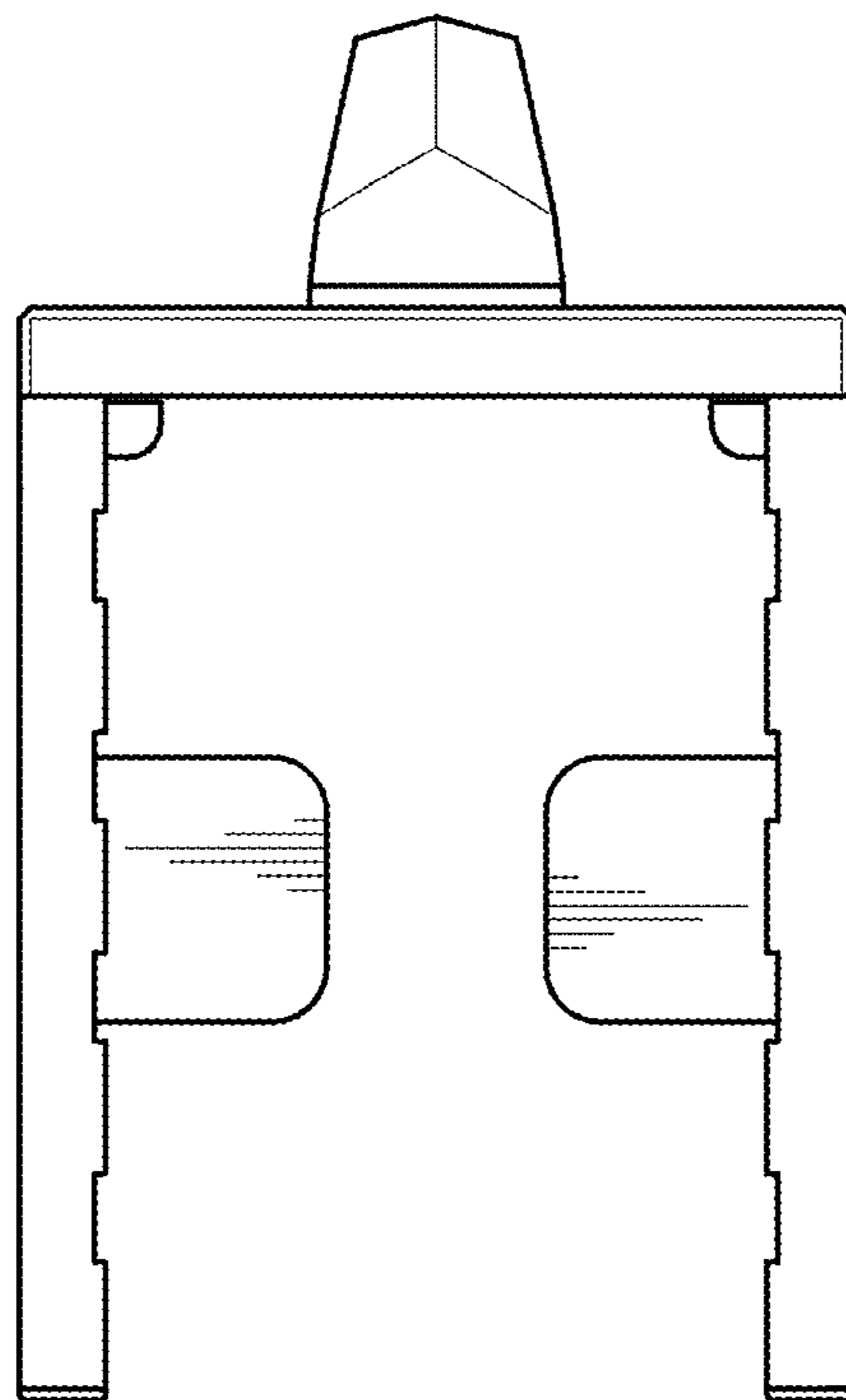


FIG.7



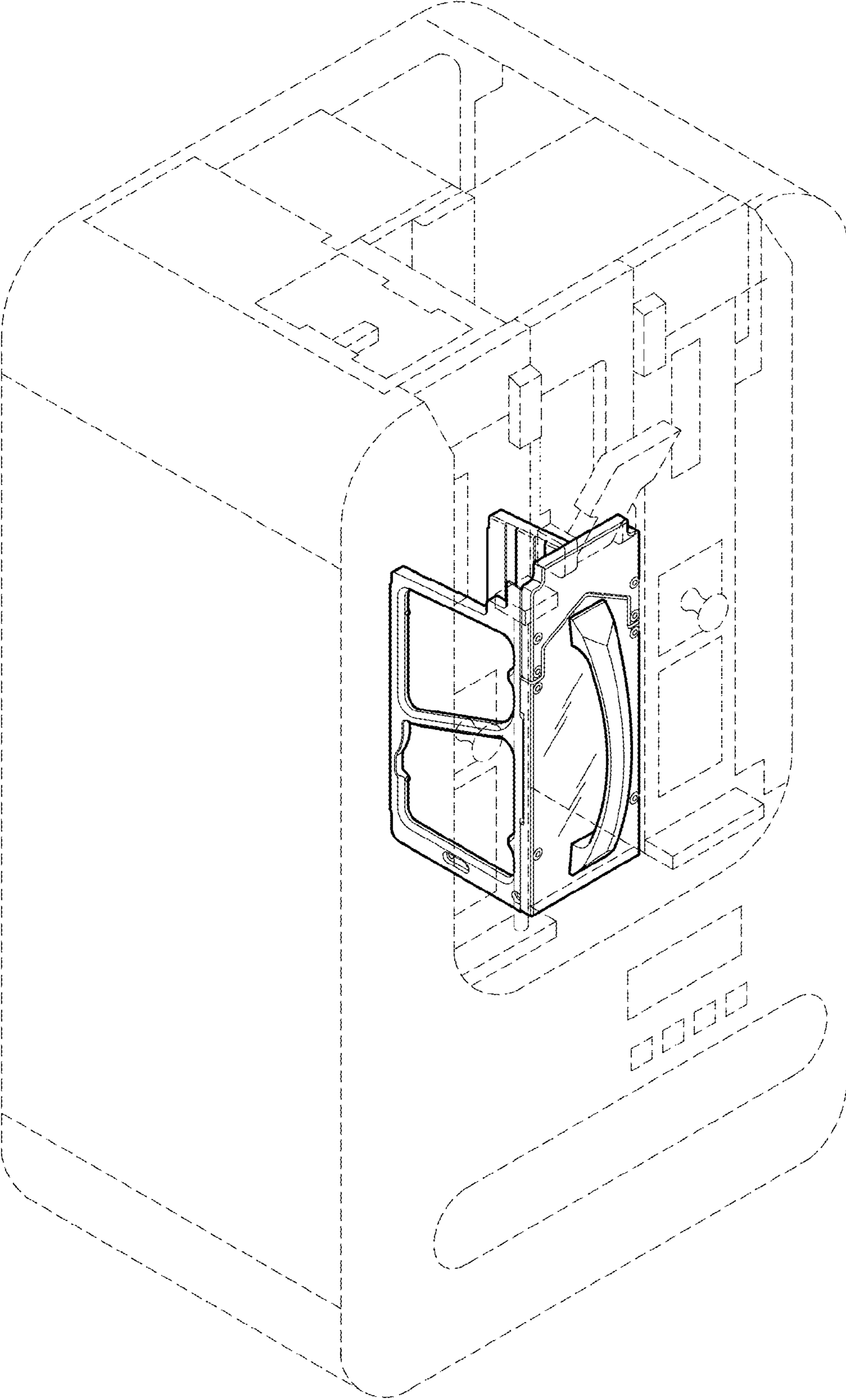


FIG.8