



US00D712479S

(12) **United States Design Patent**
Fleming

(10) **Patent No.:** **US D712,479 S**
(45) **Date of Patent:** **** Sep. 2, 2014**

- (54) **PEN AND STYLUS**
- (71) Applicant: **Hub Pen Company, Inc.**, Braintree, MA (US)
- (72) Inventor: **Joseph Fleming**, Hanover, MA (US)
- (73) Assignee: **Hub Pen Company**, Braintree, MA (US)
- (**) Term: **14 Years**
- (21) Appl. No.: **29/454,723**
- (22) Filed: **May 14, 2013**
- (51) **LOC (10) Cl.** **19-06**
- (52) **U.S. Cl.**
USPC **D19/171**
- (58) **Field of Classification Search**
USPC D14/411; D19/115-186, 192, 194-197;
24/11 R, 11 F, 11 P; 401/99, 192, 195,
401/196
See application file for complete search history.

- D628,638 S * 12/2010 Zhano D19/48
- D689,936 S * 9/2013 Jiang D19/174
- D694,329 S * 11/2013 Hern et al. D19/201
- D699,723 S * 2/2014 Nishizawa D14/411

OTHER PUBLICATIONS

Hub Pen Company's Enjoy Writing Catalog, 2011 Collection, (Hampton) p. 6, (Napoli) p. 43, (Sprite) p. 59, (Belize) p. 68, (Havana) p. 83, (Orbit) p. 85, (Orion) p. 93.

* cited by examiner

Primary Examiner — Elizabeth Albert
(74) *Attorney, Agent, or Firm* — Dingman, McInnes & McLane, LLP

(57) **CLAIM**
The ornamental pen and stylus, as shown and described.

DESCRIPTION

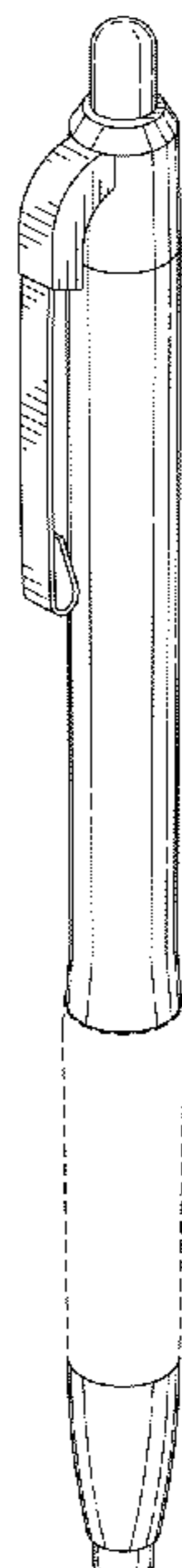
FIG. 1 is a perspective view of a pen and stylus showing my new design;
FIG. 2 is a right side elevational view of the pen and stylus of FIG. 1;
FIG. 3 is a left side elevational view of the pen and stylus of FIG. 1;
FIG. 4 is a front elevational view of the pen and stylus of FIG. 1;
FIG. 5 is a rear elevational view of the pen and stylus of FIG. 1;
FIG. 6 is a top plan view of the pen and stylus of FIG. 1;
FIG. 7 is a bottom plan view of the pen and stylus of FIG. 1;
and,
FIG. 8 is a rear elevational view of the pen and stylus of FIG. 1 with pen tip extended.
The portions shown in broken lines are included for illustrative purposes only and form no part of the claimed design.

(56) **References Cited**

U.S. PATENT DOCUMENTS

- D124,230 S * 12/1940 Dreyfuss D19/51
- D259,727 S * 6/1981 Zierhut D19/51
- D377,195 S * 1/1997 Takahashi D19/51
- D377,947 S * 2/1997 Ladner D19/36
- D433,704 S * 11/2000 Kouda D19/49
- D490,108 S * 5/2004 Moon D19/50
- D501,509 S * 2/2005 Lecce D19/51
- D540,866 S * 4/2007 Qiu D19/48
- D548,787 S * 8/2007 Slemp D19/48
- D593,604 S * 6/2009 Yu et al. D19/47
- D595,353 S * 6/2009 Li D19/48
- D611,538 S * 3/2010 Zhou D19/51
- D617,327 S * 6/2010 Crisp D14/411

1 Claim, 5 Drawing Sheets



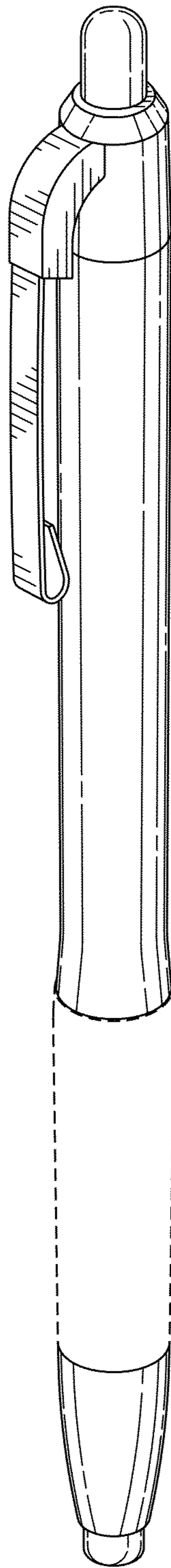


FIG. 1

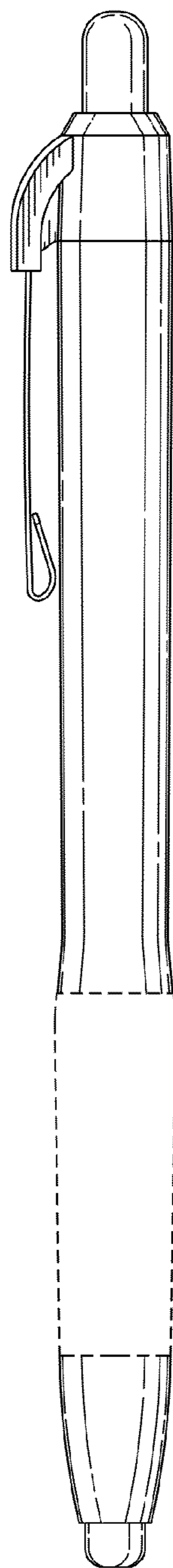


FIG. 2

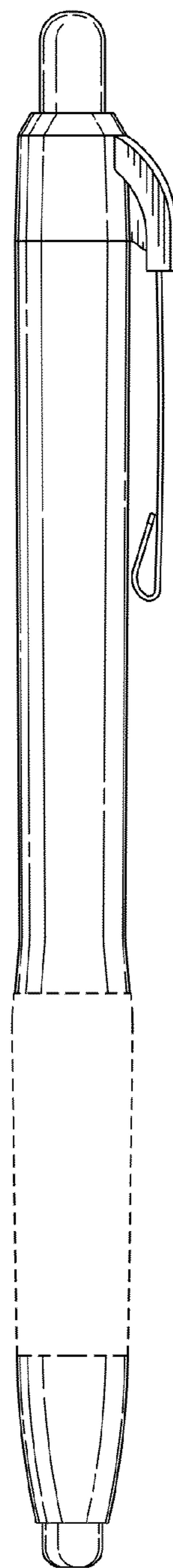


FIG. 3

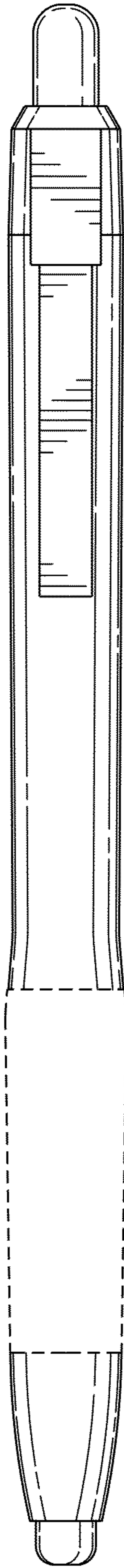


FIG. 4

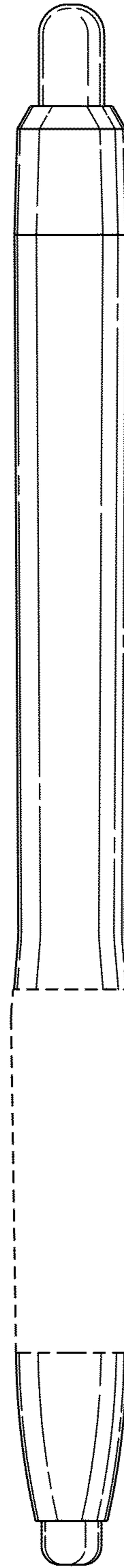


FIG. 5

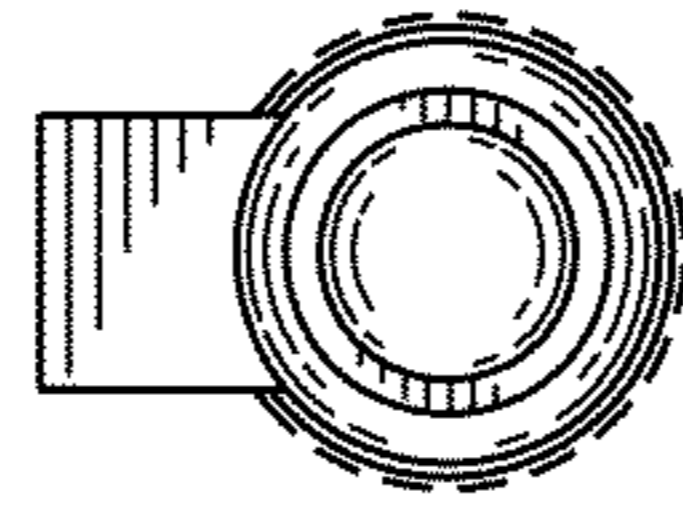


FIG. 6

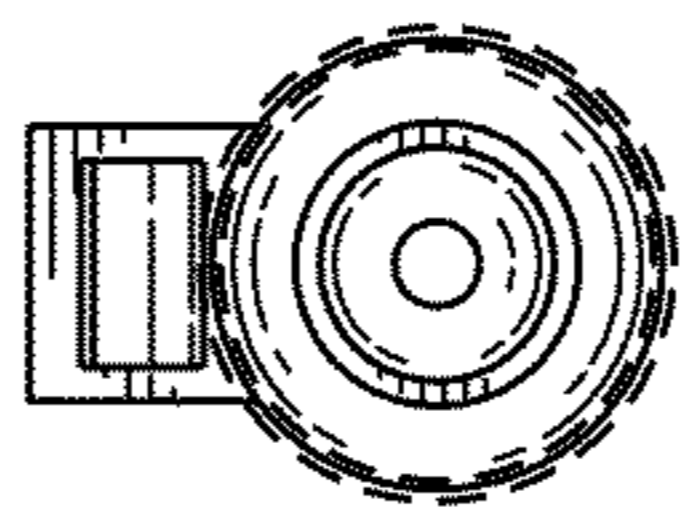


FIG. 7

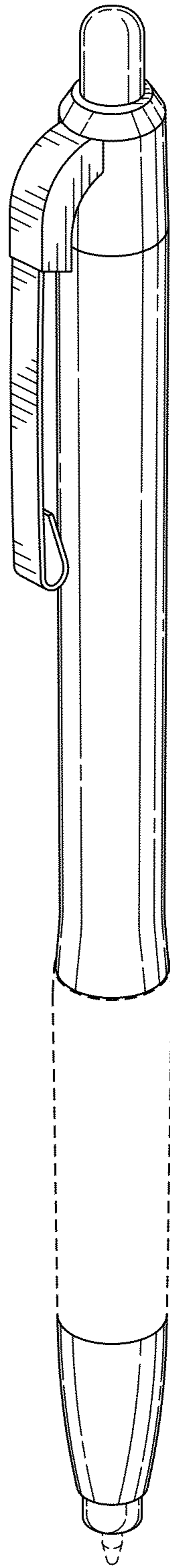


FIG. 8