



US00D712477S

(12) **United States Design Patent**  
**Stravitz**

(10) **Patent No.:** **US D712,477 S**  
(45) **Date of Patent:** **\*\* Sep. 2, 2014**

- (54) **BIN**
- (71) Applicant: **David M. Stravitz**, New York, NY (US)
- (72) Inventor: **David M. Stravitz**, New York, NY (US)
- (73) Assignee: **Block and Company, Inc.**, Wheeling, IL (US)
- (\*\*) Term: **14 Years**
- (21) Appl. No.: **29/488,826**
- (22) Filed: **Apr. 23, 2014**

3,879,053 A	4/1975	Chvala	
4,014,560 A	3/1977	Hughes	
4,325,493 A	4/1982	Paige	
4,699,391 A	10/1987	Syring	
4,883,177 A *	11/1989	Galbani	206/391
5,011,071 A	4/1991	Lopez	
5,193,701 A	3/1993	Bush et al.	
D423,171 S	4/2000	Alcala et al.	
D437,706 S	2/2001	Alcala et al.	
6,371,497 B1	4/2002	Scire	
6,811,041 B1	11/2004	Juliano	
D518,526 S	4/2006	Benn	
7,213,820 B2	5/2007	Drummond	
7,284,579 B2 *	10/2007	Elgan et al.	141/316
7,300,063 B1	11/2007	Prizmich	
2001/0054806 A1	12/2001	Calendar	
2004/0227316 A1	11/2004	Drummond	
2007/0069491 A1	3/2007	Ferraro et al.	

**Related U.S. Application Data**

- (62) Division of application No. 29/475,428, filed on Dec. 3, 2013.
- (51) **LOC (10) Cl.** ..... **19-02**
- (52) **U.S. Cl.**  
USPC ..... **D19/90**
- (58) **Field of Classification Search**  
USPC ..... D3/304, 307; D19/86, 90, 91, 92;  
D34/1, 5, 17; 206/215, 425; 211/55;  
312/184  
See application file for complete search history.

\* cited by examiner

*Primary Examiner* — Elizabeth Albert

(74) *Attorney, Agent, or Firm* — Holtz Holtz Goodman & Chick PC

(57) **CLAIM**

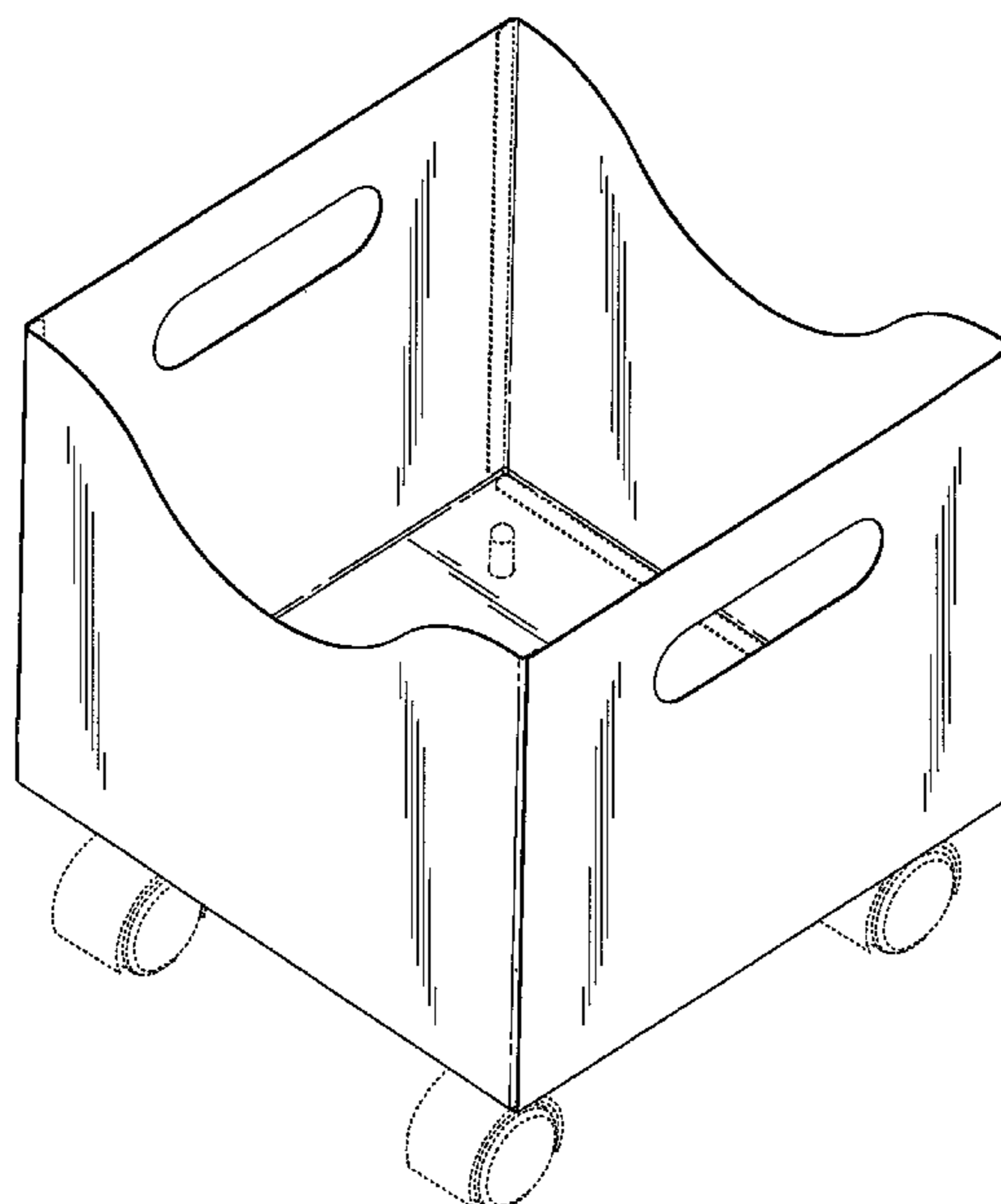
The ornamental design for a bin, as shown and described.

**DESCRIPTION**

FIG. 1 is a top, front, right side perspective view of a bin showing my new design;  
 FIG. 2 is a bottom, rear, right side perspective view thereof;  
 FIG. 3 is a top plan view thereof;  
 FIG. 4 is a front elevational view thereof, the rear elevational view being identical; and,  
 FIG. 5 is a right side elevational view thereof, the left side elevational view being identical.  
 The broken lines in the drawings are shown for the purpose of including portions that form no part of the claimed design.

**1 Claim, 5 Drawing Sheets**

- (56) **References Cited**  
U.S. PATENT DOCUMENTS
- |             |         |               |
|-------------|---------|---------------|
| 2,418,963 A | 4/1947  | Anderson, Jr. |
| 2,577,588 A | 12/1951 | Paige         |
| 2,675,156 A | 4/1954  | Anderson, Jr. |
| 2,739,754 A | 3/1956  | Anderson, Jr. |
| 2,947,462 A | 8/1960  | Bostock       |
| 3,430,840 A | 3/1969  | Paige         |
| 3,567,068 A | 3/1971  | Carfizzi      |
| D221,633 S  | 8/1971  | Kotkowski     |
| 3,633,774 A | 1/1972  | Lee           |



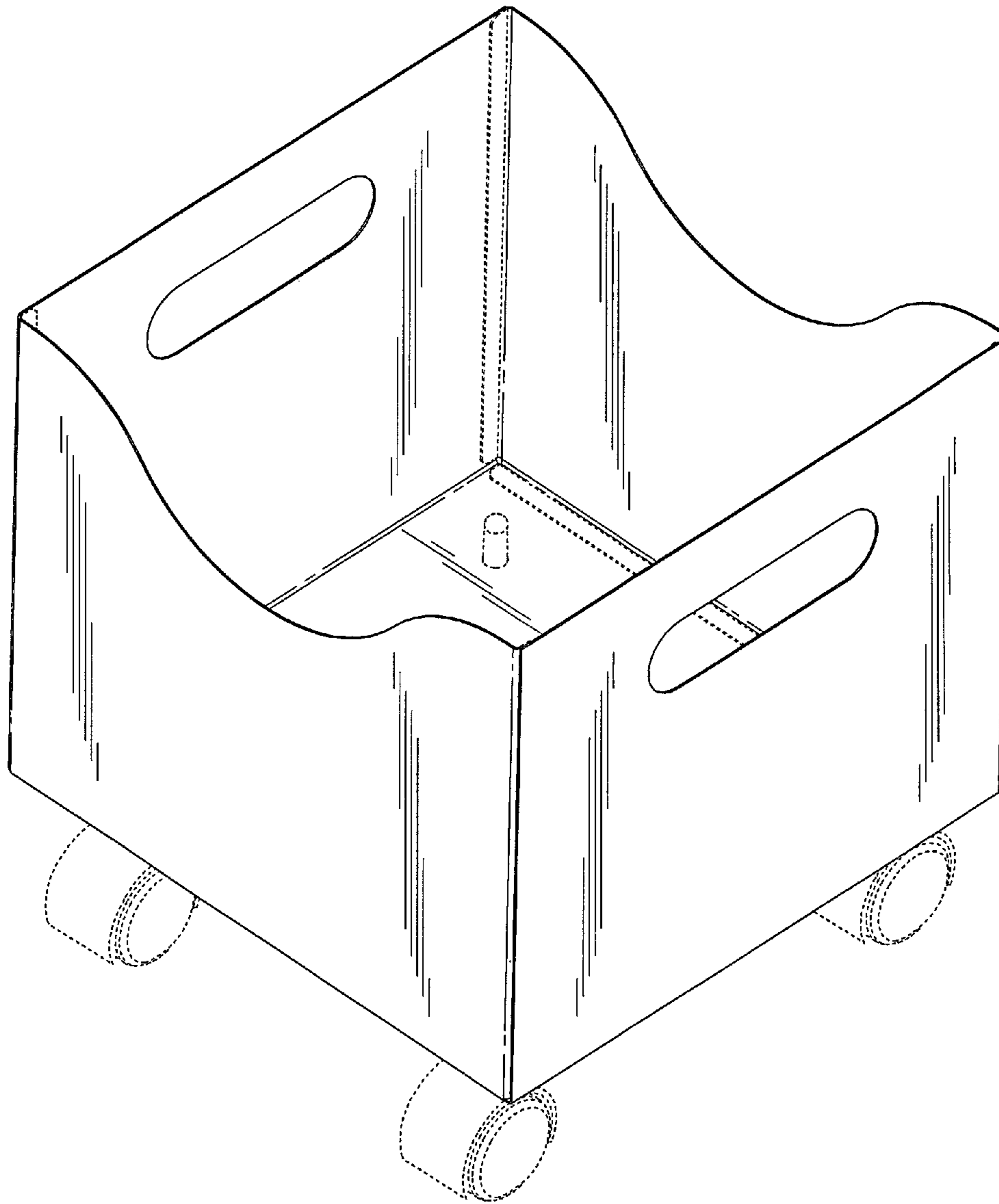


FIG. 1

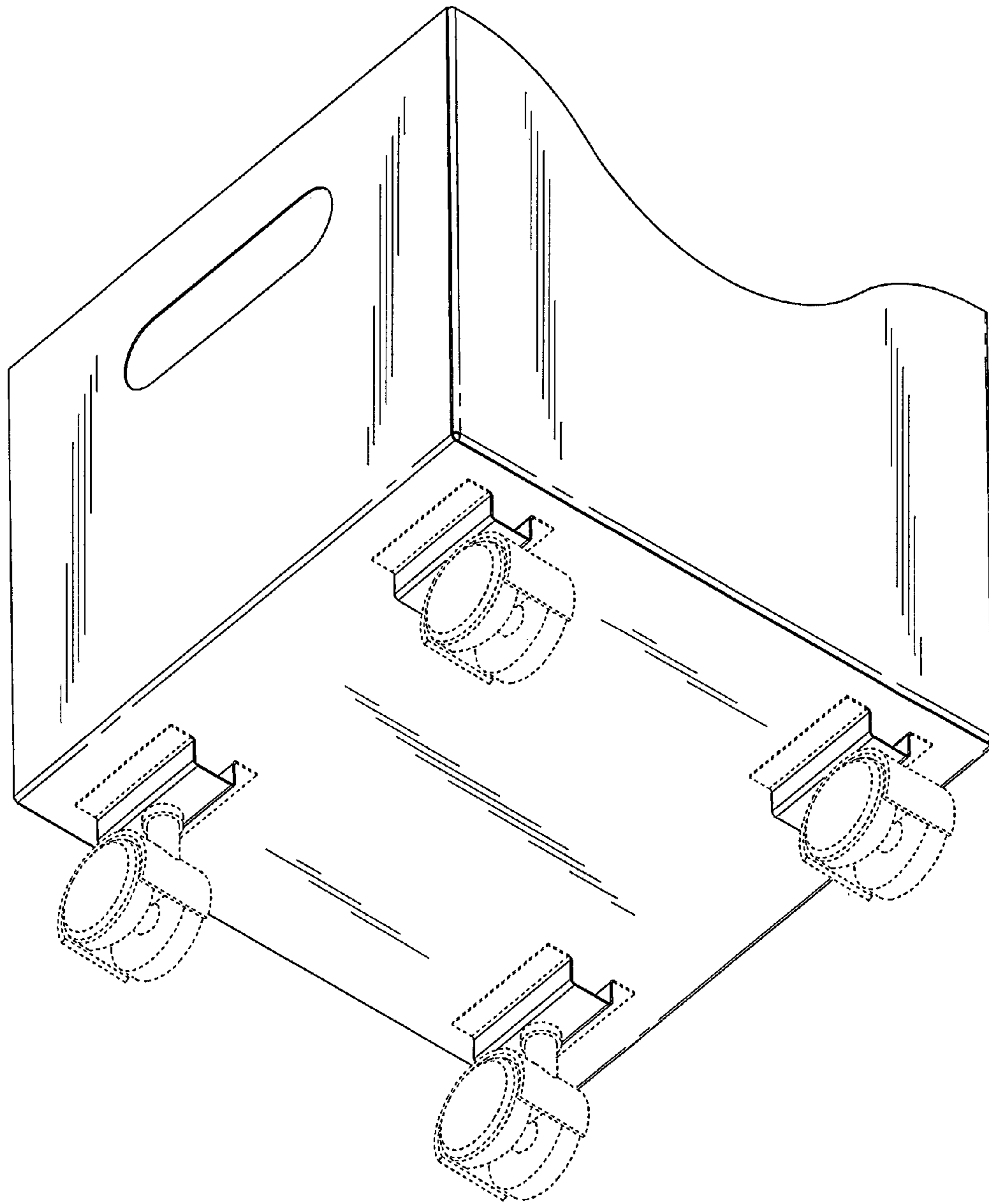


FIG. 2

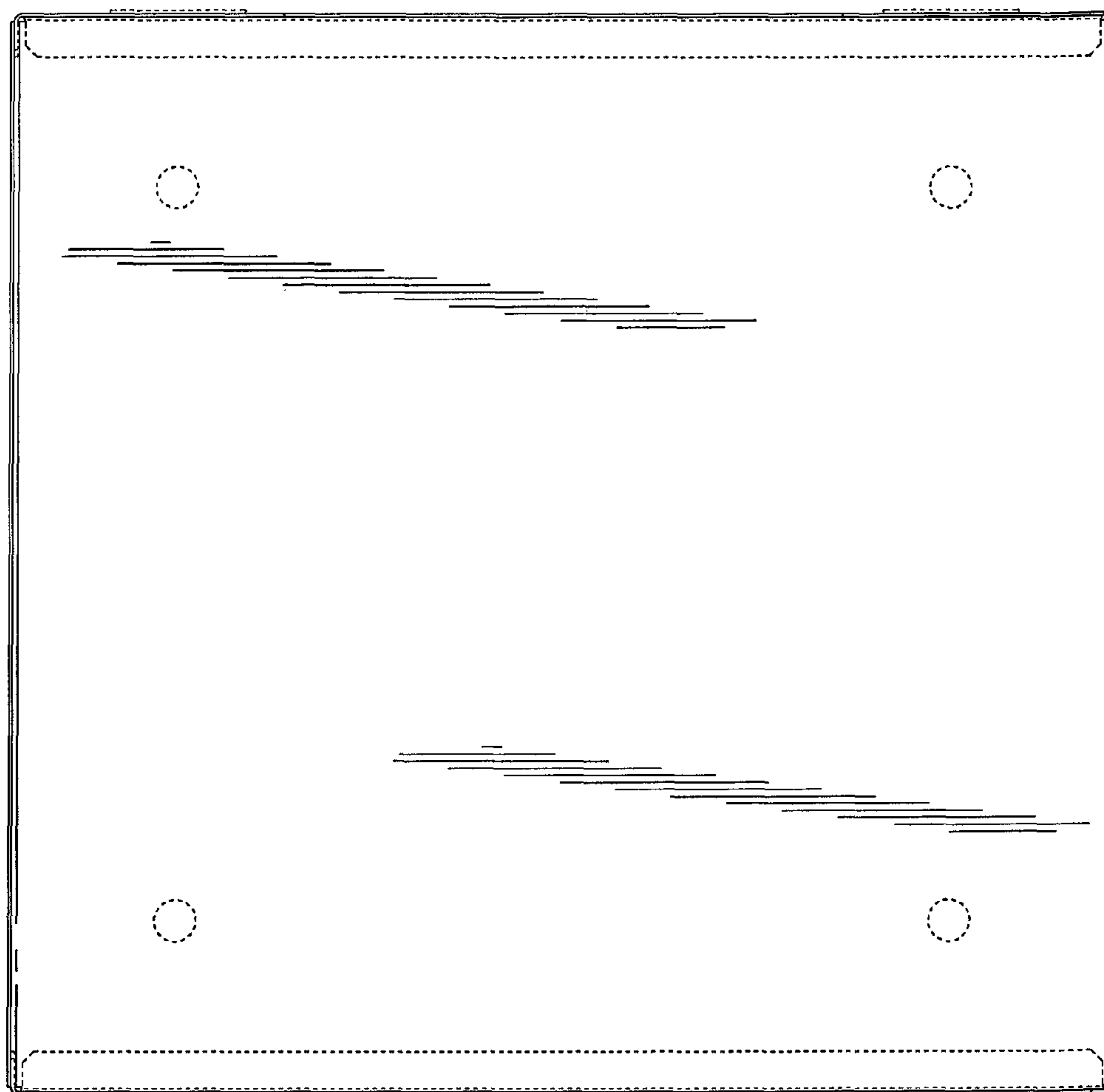


FIG. 3

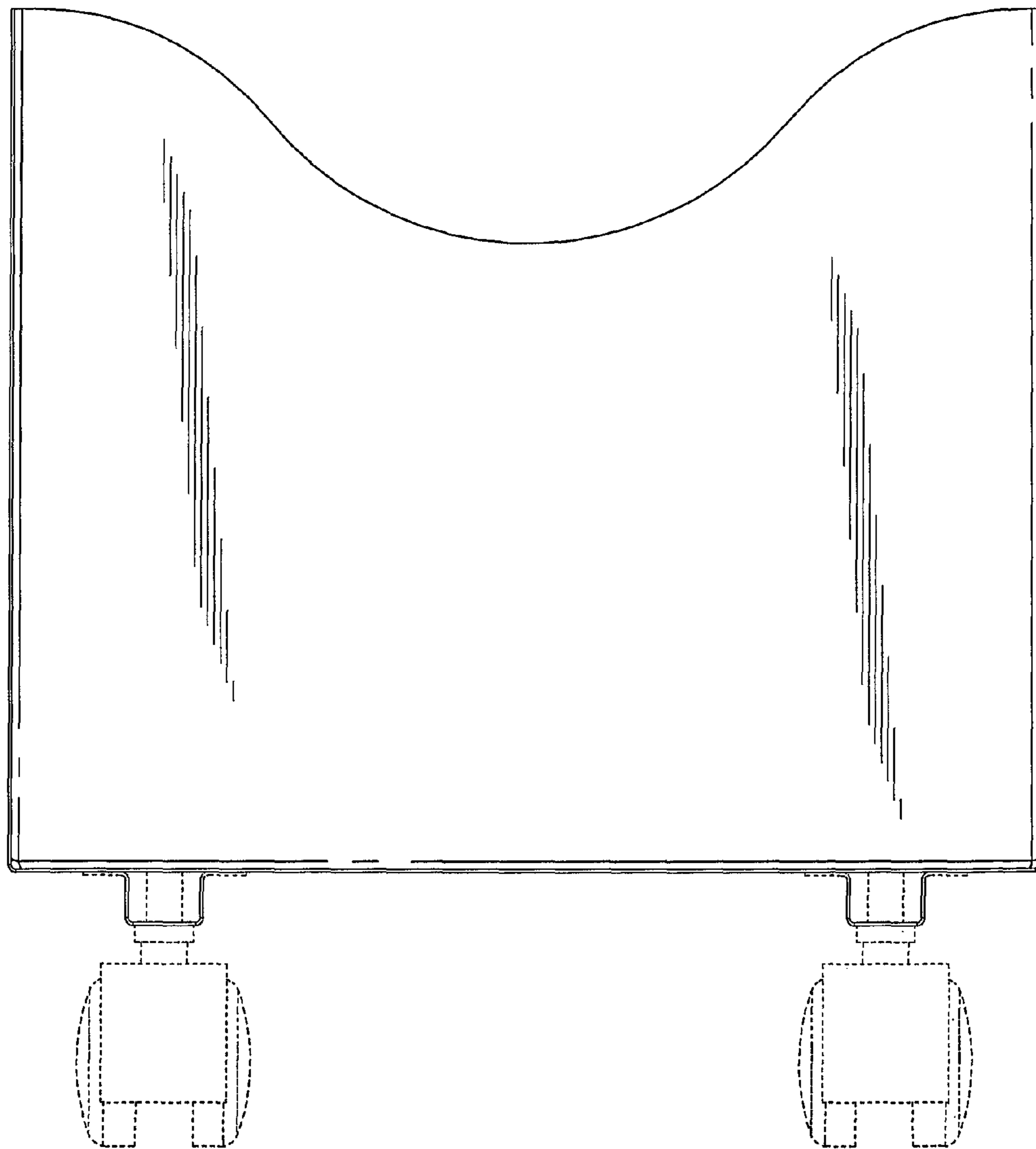


FIG. 4

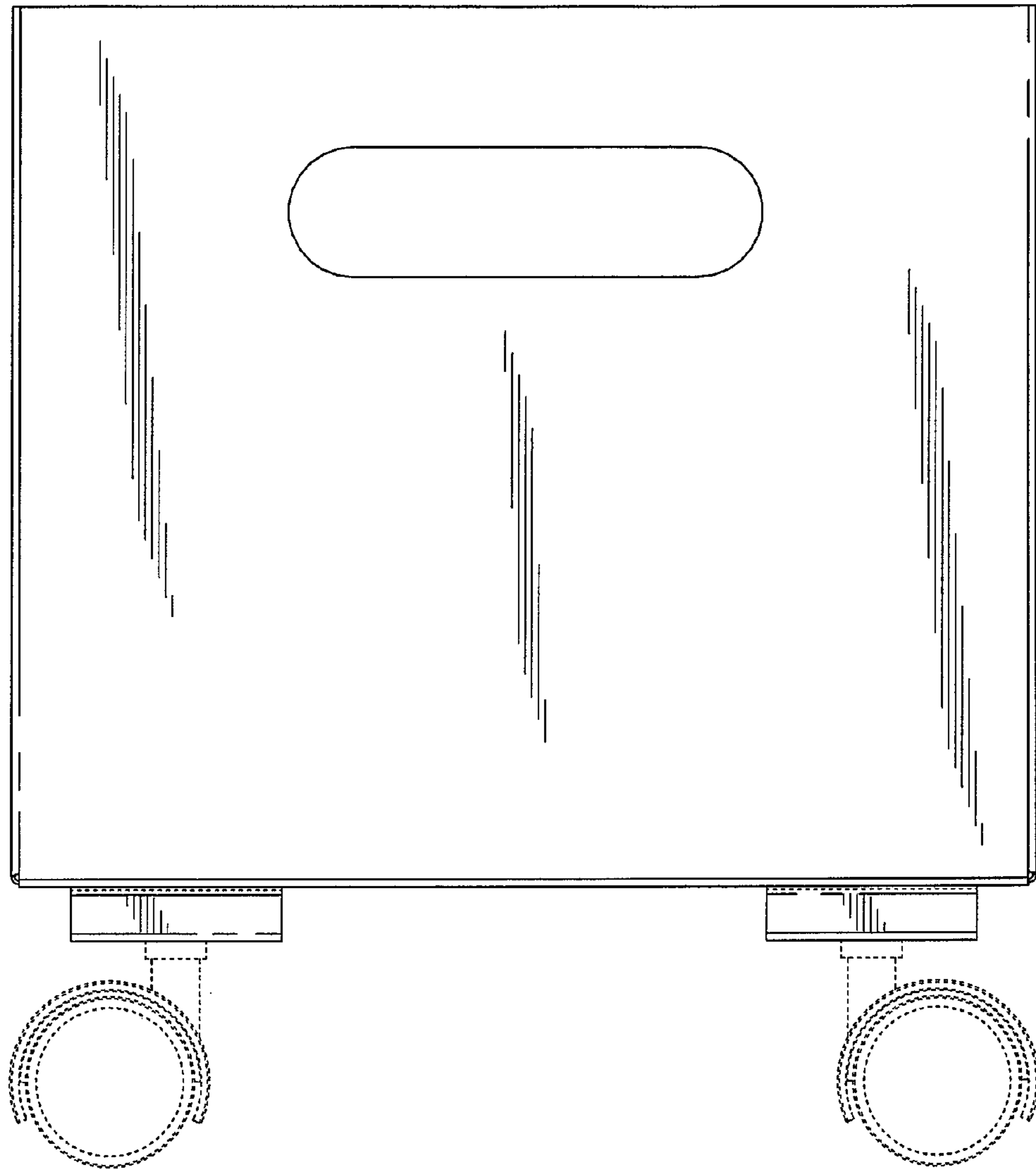


FIG. 5