



US00D712475S

(12) **United States Design Patent**
Scott et al.

(10) **Patent No.:** **US D712,475 S**
(45) **Date of Patent:** **** Sep. 2, 2014**

(54) **DOCUMENT HOLDER**

FOREIGN PATENT DOCUMENTS

(71) Applicants: **William Mitchell Scott**, Villa Hills, KY (US); **James Gerard Lee**, Westlake, OH (US)

JP 7-35313 6/1995
JP 08-230870 9/1996

(Continued)

(72) Inventors: **William Mitchell Scott**, Villa Hills, KY (US); **James Gerard Lee**, Westlake, OH (US)

OTHER PUBLICATIONS

Acrylic Desktop File Holder; http://www.alibaba.com/product-gs/541368370/acrylic_desktop_file_holder.html; Copyright © 1999-2012 Alibaba.com Hong Kong Limited and licensors; printed Oct. 24, 2012; p. 1-3.

(73) Assignee: **William Mitchell Scott**, Estero, FL (US)

(Continued)

(**) Term: **14 Years**

Primary Examiner — Elizabeth Albert

(21) Appl. No.: **29/436,876**

(74) *Attorney, Agent, or Firm* — Hasse & Nesbitt LLC; Daniel F. Nesbitt; Donald E. Hasse

(22) Filed: **Nov. 9, 2012**

(51) **LOC (10) CL.** **19-02**

(52) **U.S. CL.**
USPC **D19/90**

(57) **CLAIM**

I claim the ornamental design for a document holder, as shown and described.

(58) **Field of Classification Search**

DESCRIPTION

USPC D3/273, 294, 304, 314; D6/310, 311, D6/312, 676.3, 678.3, 683.1, 700; D9/432; D19/26-31, 75, 77, 78, 81-86, 90, 91; 206/215, 425, 449, 555; 211/10, 11, 211/46, 48, 87.01, 70.1, 85.4; 248/447, 248/454, 460, 461, 462, 463; 229/67.3

FIG. 1 is a front perspective view of a first embodiment of the document holder showing our new design.

FIG. 2 is a front view thereof.

FIG. 3 is a back view thereof.

FIG. 4 is a right side view thereof; the left side view is a mirror image of the right side view.

FIG. 5 is a top plan view thereof.

FIG. 6 is a bottom plan view thereof.

FIG. 7 is a right side view of the second embodiment of the document holder; the front perspective view, front view, and back are the same as those of the first embodiment; and the left side view is a mirror image of the right side view.

FIG. 8 is a top plan view thereof; and,

FIG. 9 is a bottom plan view thereof.

The broken lines in FIGS. 1-9 of the drawings are included for the purpose of showing portions of the document holder that form no part of the claimed design.

See application file for complete search history.

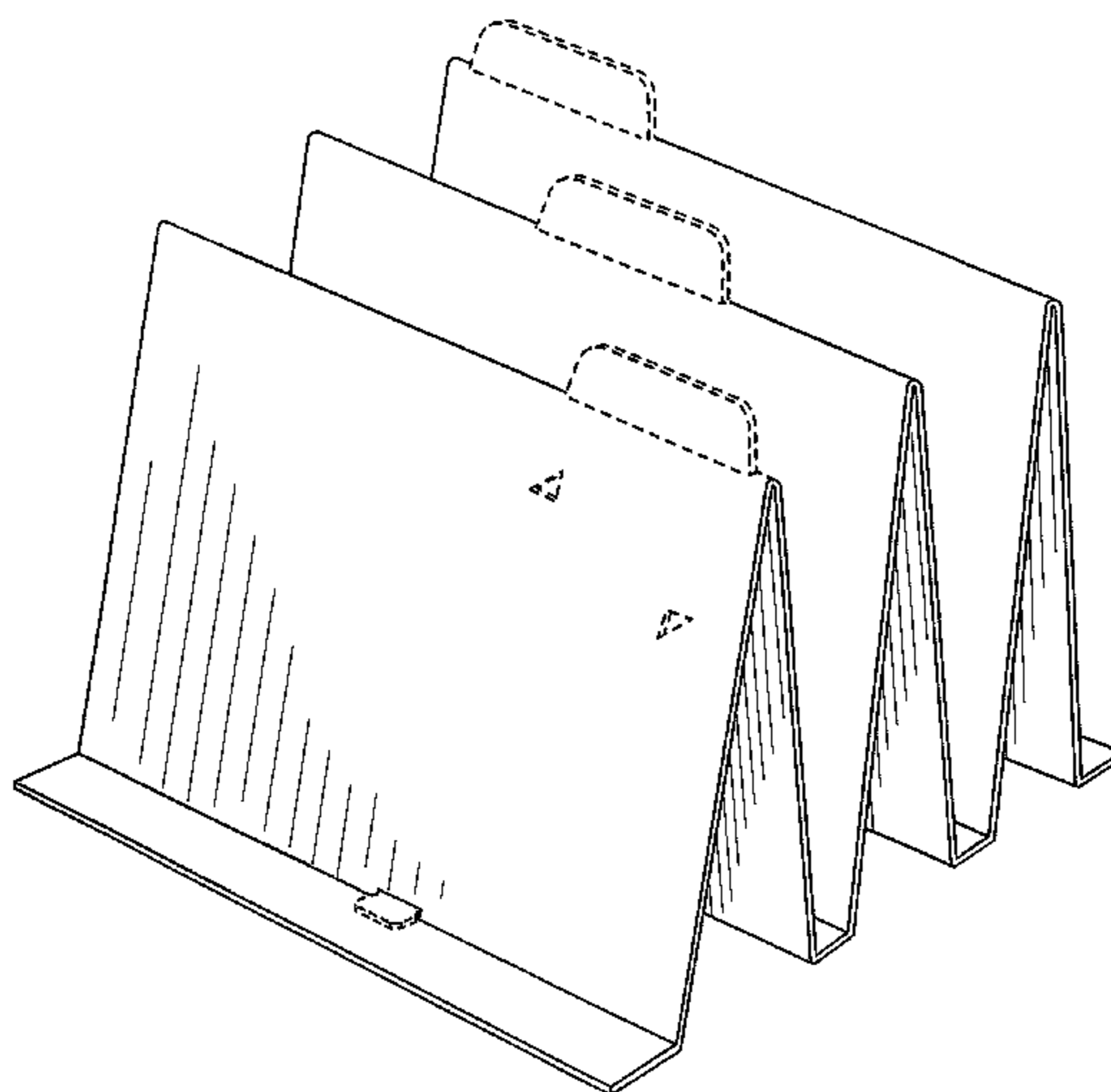
(56) **References Cited**

U.S. PATENT DOCUMENTS

238,117 A * 2/1881 Hillman 211/45
600,879 A * 3/1898 Louben 211/153
1,457,770 A 6/1923 Dodge
1,465,691 A * 8/1923 Snedeker 206/372
1,623,547 A 4/1927 Neumann
1,897,672 A 2/1933 Neumann
1,974,674 A 9/1934 Halladay et al.
2,019,371 A * 10/1935 Tompkins 40/124

(Continued)

1 Claim, 9 Drawing Sheets



(56)

References Cited

U.S. PATENT DOCUMENTS

2,054,355 A	9/1936	Anderson, Jr.	
2,124,409 A	7/1938	Andrews	
RE21,386 E	3/1940	Crawford	
2,249,265 A *	7/1941	Bauder	211/11
2,253,008 A	8/1941	Anderson, Jr.	
2,289,619 A	7/1942	Anderson, Jr.	
2,307,349 A	1/1943	Anderson, Jr.	
2,307,350 A	1/1943	Anderson, Jr.	
2,365,182 A	12/1944	Ferguson	
2,418,963 A	4/1947	Anderson, Jr.	
2,460,230 A	1/1949	Makrianes	
2,487,302 A *	11/1949	Bradley	40/124
2,523,908 A *	9/1950	Johnsen	396/651
2,537,801 A	1/1951	Swatsick	
2,559,552 A	7/1951	Welshenbach	
2,561,979 A	7/1951	George	
2,604,255 A	7/1952	Welshenbach	
2,629,499 A	2/1953	Welshenbach	
2,645,353 A	7/1953	Anderson, Jr.	
2,654,527 A	10/1953	Geckler et al.	
2,769,550 A *	11/1956	Rollins et al.	211/11
D186,672 S *	11/1959	Gilruth	D6/475
3,002,650 A	10/1961	Lovell	
3,049,279 A	8/1962	Mairs et al.	
3,107,041 A	10/1963	Wagner, Jr.	
3,138,283 A	6/1964	Peebles	
3,155,235 A *	11/1964	Maich	206/494
D200,699 S *	3/1965	Pappas	D6/476
3,186,586 A	6/1965	Box	
3,195,798 A	7/1965	Wilson	
D206,304 S *	11/1966	Pinzke	D6/476
3,282,462 A	11/1966	Box	
3,301,386 A	1/1967	Carter	
3,314,532 A	4/1967	Henry	
3,366,496 A	1/1968	Bomar et al.	
3,379,341 A	4/1968	Miles	
3,391,698 A	7/1968	Wiles	
3,438,562 A	4/1969	Connor et al.	
3,622,036 A	11/1971	Bongaerts	
3,667,666 A	6/1972	Pryor	
3,670,949 A	6/1972	Galanes	
3,684,159 A	8/1972	Wolfe	
3,692,231 A	9/1972	Neitzke et al.	
3,713,579 A	1/1973	Chaffers	
3,724,920 A	4/1973	Beck	
3,831,834 A	8/1974	Elward	
3,844,473 A	10/1974	Whelan	
D242,021 S	10/1976	Shanklin	
4,030,600 A	6/1977	Heaps	
4,101,052 A	7/1978	Dove	
4,172,522 A	10/1979	Muller et al.	
4,199,832 A	4/1980	Glasscock et al.	
4,228,904 A	10/1980	Dumond	
4,285,150 A	8/1981	Richardson et al.	
4,291,830 A	9/1981	Sorensen	
4,325,493 A	4/1982	Paige	
4,339,069 A	7/1982	Poteet	
4,380,290 A	4/1983	Luebke	
2,822,973 A	2/1985	Armstrong et al.	
4,531,667 A	7/1985	Meade	
4,542,832 A *	9/1985	Minick et al.	211/106
4,617,702 A	10/1986	Diederich, Jr.	
4,768,704 A	9/1988	Beckway et al.	
4,817,861 A	4/1989	Henrikson	
4,830,268 A	5/1989	Pitts	
4,838,436 A *	6/1989	Bailey	211/51
4,927,074 A	5/1990	LaRue et al.	
4,948,033 A	8/1990	Halsell, II et al.	
4,961,497 A	10/1990	Sherer et al.	
D312,531 S	12/1990	Sherer et al.	
D315,098 S	3/1991	Hutcheson	
5,011,071 A	4/1991	Lopez	
5,042,657 A	8/1991	Dunn	
5,064,069 A	11/1991	Su	
D326,341 S	5/1992	Frauhiger	
5,119,950 A	6/1992	Takemura	
5,148,942 A	9/1992	Snook	
5,295,632 A	3/1994	Zink et al.	
5,322,167 A	6/1994	Birutis et al.	
D348,390 S	7/1994	Van Ness	
5,411,145 A *	5/1995	Parks	211/50
5,429,295 A	7/1995	Levy	
D361,892 S	9/1995	Quaintance	
5,494,161 A	2/1996	Herbst	
5,503,324 A	4/1996	Bacchetti et al.	
D372,673 S	8/1996	Turner	
D391,079 S	2/1998	Conti et al.	
D394,950 S	6/1998	Kite	
5,765,695 A *	6/1998	Picciallo	211/40
5,779,129 A	7/1998	Herbst et al.	
D398,228 S	9/1998	Herbst et al.	
D398,230 S	9/1998	Herbst et al.	
D399,366 S *	10/1998	Stravitz	D6/407
5,884,783 A *	3/1999	Proulx	211/85.4
5,887,782 A	3/1999	Mueller	
5,890,650 A	4/1999	Penson	
5,908,152 A	6/1999	Tullis	
D420,704 S *	2/2000	Coe	D19/75
D421,183 S	2/2000	Koskinen	
6,036,042 A	3/2000	Pietruch et al.	
D422,499 S	4/2000	Herbst et al.	
D423,587 S	4/2000	Conley et al.	
D424,117 S	5/2000	Steinbeck et al.	
D425,128 S	5/2000	Conley et al.	
D425,562 S	5/2000	Conley et al.	
6,059,180 A	5/2000	Collins	
6,123,254 A	9/2000	Dupuis	
6,135,347 A	10/2000	Mueller	
D434,223 S	11/2000	Dombrowski	
6,149,052 A	11/2000	Mueller	
6,164,461 A *	12/2000	Ward et al.	211/41.1
D442,780 S	5/2001	Hiernard	
D448,567 S	10/2001	Buss	
D448,568 S	10/2001	Sadr	
D453,275 S	2/2002	Stravitz	
6,352,157 B1	3/2002	Srinivasan	
D461,120 S	8/2002	Ostro	
6,527,167 B1	3/2003	Sheffer	
D477,217 S	7/2003	Riedi	
D480,273 S	10/2003	Cordwell	
6,669,080 B2	12/2003	Ong	
D485,466 S *	1/2004	Haruhiro	D6/629
6,705,515 B2	3/2004	Dowd	
D494,759 S	8/2004	Louie et al.	
D495,490 S	9/2004	Garrett et al.	
6,830,156 B2	12/2004	MacKelvie	
6,889,893 B2	5/2005	Kent	
D507,404 S	7/2005	Moon et al.	
D510,823 S *	10/2005	Ng et al.	D6/480
D518,526 S	4/2006	Benn	
D518,708 S	4/2006	Ohayon	
D526,357 S *	8/2006	Killinger et al.	D19/90
D526,893 S	8/2006	Nixon	
D527,424 S	8/2006	Long	
D539,036 S	3/2007	Potts et al.	
D542,033 S	5/2007	Kopenhaver et al.	
D548,072 S	8/2007	Nixon	
D548,782 S *	8/2007	Nash	D19/26
7,331,451 B2	2/2008	Focke et al.	
D569,105 S	5/2008	Van Hoorn	
7,387,350 B2	6/2008	Killinger et al.	
7,410,094 B2	8/2008	Bos	
7,438,198 B2	10/2008	Pickles	
D581,782 S	12/2008	Kisch	
7,611,020 B2	11/2009	Prest	
7,654,408 B2	2/2010	Bazany	
D615,775 S	5/2010	Fairbanks	
7,726,552 B2	6/2010	Chadima	
D627,562 S	11/2010	Osiecki et al.	
D629,163 S	12/2010	Sullivan	
D633,296 S	3/2011	Potts et al.	
8,079,474 B1	12/2011	Flaming	
D657,562 S	4/2012	McNamara	
8,152,050 B2	4/2012	Busam et al.	

(56)

References Cited

U.S. PATENT DOCUMENTS

D658,407	S	5/2012	Pung et al.
D661,096	S	6/2012	Dretzka
2001/0052477	A1	12/2001	McNeill
2003/0183679	A1	10/2003	Ong
2005/0029260	A1	2/2005	Sheng-Bin
2005/0241971	A1	11/2005	Zou et al.
2005/0284906	A1	12/2005	Potts et al.
2006/0054669	A1	3/2006	Hsieh
2006/0266807	A1	11/2006	Shook
2007/0272630	A1	11/2007	De Luca
2008/0054059	A1	3/2008	Chadima
2009/0173774	A1	7/2009	Schemmel et al.
2010/0314268	A1	12/2010	Goodman

FOREIGN PATENT DOCUMENTS

JP	2000-335157	12/2000
JP	2001-063265	3/2001
JP	2001-1294231	A 10/2001
JP	2003-191946	7/2003
WO	WO 99/25621	5/1999
WO	WO 2006/063008	6/2006

OTHER PUBLICATIONS

Acrylic Magazine Holder (m Shape); http://www.alibaba.com/product-gs/274660307/Acrylic_magazine_holder_M_shape_.html; Copyright © 1999-2012 Alibaba.com Hong Kong Limited and licensors; printed Oct. 24, 2012; p. 1-2.

Zigzag Acrylic Literature http://www.alibaba.com/product-gs/294904097/zigzag_acrylic_literature_magazine_holder_acrylic.html; Copyright © 1999-2012 Alibaba.com Hong Kong Limited and licensors; printed Oct. 24, 2012; p. 1-3.

Kantek Acrylic Mini Sorter—KTKAD50; <http://www.discountofficeitems.com/office-supplies/desk-organizers/desk-organizers-holders/desktop-file-sorters/kantek-acrylic-mini-sorter/p14879.html>; Cart Reference # DGL1647F; Copyright © 2012 DiscountOfficeItems.com; printed Oct. 24, 2012; p. 1-3.

Lebon, Hilary (Social Media Pro/Consultant) Marketing Idea For The Day—Corrugated Plastic Totes; <http://www.mdi.org/index.php/marketing-idea-for-the-day-corrugated-plastic-totes/>; Jun. 28, 2011; Copyright © 2010 MDI; p. 1-3.

PCT Search Report and Written Opinion for Corresponding PCT Application No. PCT/US2012/036980; mailed Dec. 3, 2012; pp. 1-9. Photo 1 of United States Postal Service bin; published prior to Apr. 28, 2012.

Photo 2 of United States Postal Service bins; published prior to Apr. 28, 2012.

Screen Shot of No. 1555 tote and 1560 tote; published prior to Apr. 28, 2012.

U.S. Appl. No. 13/441,434, filed Apr. 6, 2012, William M. Scott, Container With Grips.

U.S. Appl. No. 13/448,349, filed Apr. 16, 2012, William M. Scott, Strengthening Insert for a Corrugated Box.

U.S. Appl. No. 29/391,489, filed May 9, 2011, William M. Scott, Novel Box.

U.S. Appl. No. 29/391,490, filed May 10, 2011, William M. Scott, Novel Box & Private Label.

U.S. Appl. No. 29/391,491, filed May 10, 2011, William M. Scott, Box.

U.S. Appl. No. 29/391,492, filed May 10, 2011, William M. Scott, Box.

U.S. Appl. No. 29/419,400, filed Apr. 27, 2012, William M. Scott, Box With Locking Ports.

U.S. Appl. No. 29/419,603, filed Apr. 30, 2012, William M. Scott, Box.

U.S. Appl. No. 29/438,590, filed Nov. 30, 2012, William M. Scott, Box.

U.S. Appl. No. 29/419,507, filed Apr. 28, 2012, William M. Scott, Carrying Tote.

U.S. Appl. No. 29/438,066, filed Nov. 26, 2012, William M. Scott, Carrying Tote.

U.S. Appl. No. 29/419,508, filed Apr. 28, 2012, William M. Scott, Carrying Tote.

U.S. Appl. No. 29/438,072, filed Nov. 26, 2012, William M. Scott, Carrying Tote.

U.S. Appl. No. 29/419,510, filed Apr. 28, 2012, William M. Scott, Carrying Tote.

U.S. Appl. No. 29/438,077, filed Nov. 26, 2012, William M. Scott, Carrying Tote.

U.S. Appl. No. 29/431,415, filed Sep. 7, 2012, William M. Scott, Box.

U.S. Appl. No. 29/431,416, filed Sep. 7, 2012, William M. Scott, Box.

U.S. Appl. No. 29/431,417, filed Sep. 7, 2012, William M. Scott, Box.

U.S. Appl. No. 13/606,059, filed Sep. 7, 2012, William M. Scott, Shipping Container With Grips and Locking Ports.

U.S. Appl. No. 29/431,504, filed Sep. 7, 2012, William M. Scott, Box.

U.S. Appl. No. 29/431,507, filed Sep. 7, 2012, William M. Scott, Box.

U.S. Appl. No. 13/673,246, filed Nov. 9, 2012, William M. Scott, Document Holding Device.

U.S. Appl. No. 29/436,882, filed Nov. 9, 2012, William M. Scott, Shaped Document Partition.

<http://www.tops-products.com/makeorganizingeasy>,

TopsProducts—Hanging Accordion Files (p. 4 of 5), Dec. 27, 2011 (1 page).

PCT/US2013/069165—PCT International Search Report and Written Opinion dated Mar. 12, 2014 (12 pages).

* cited by examiner

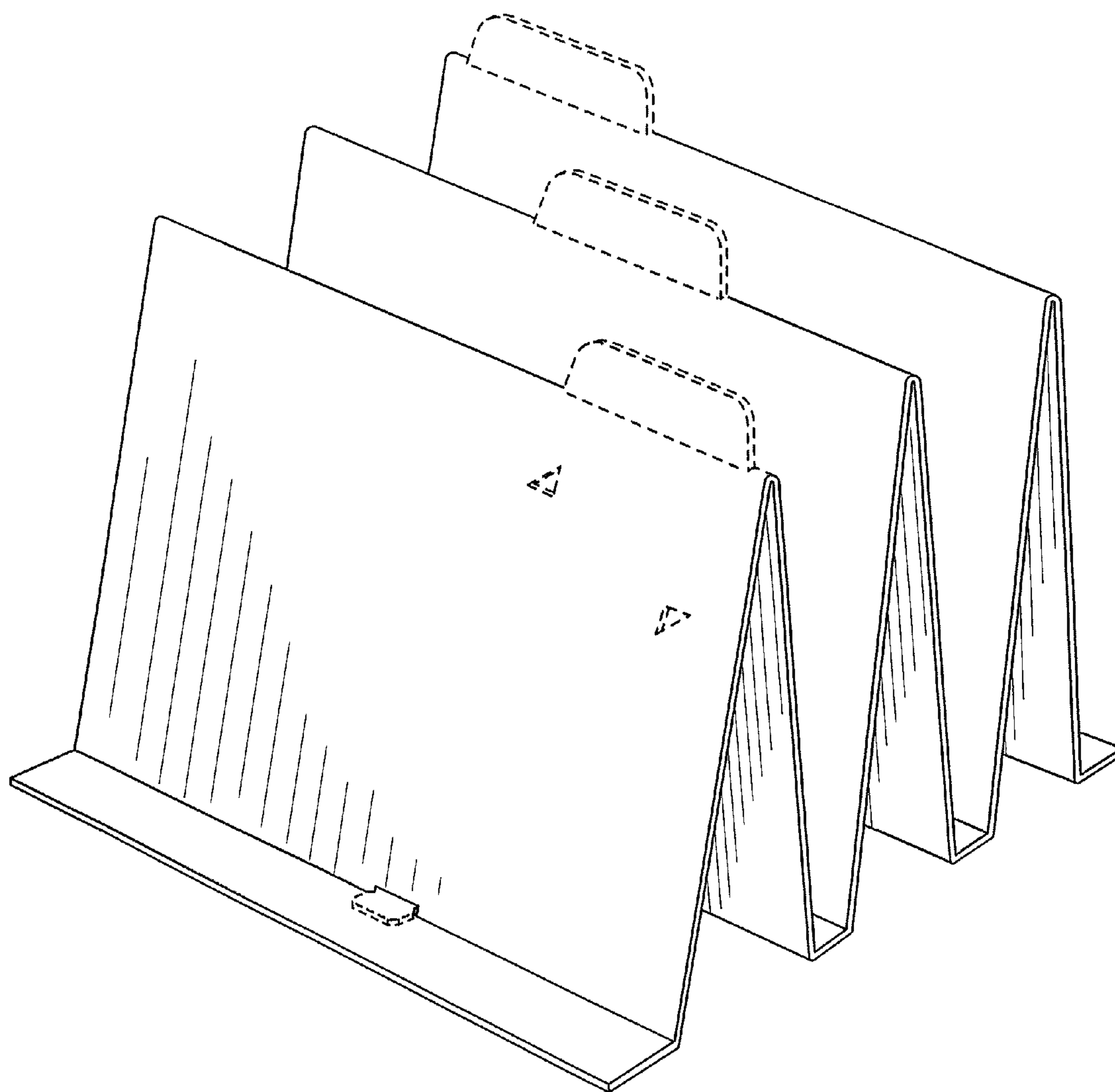


FIG. 1

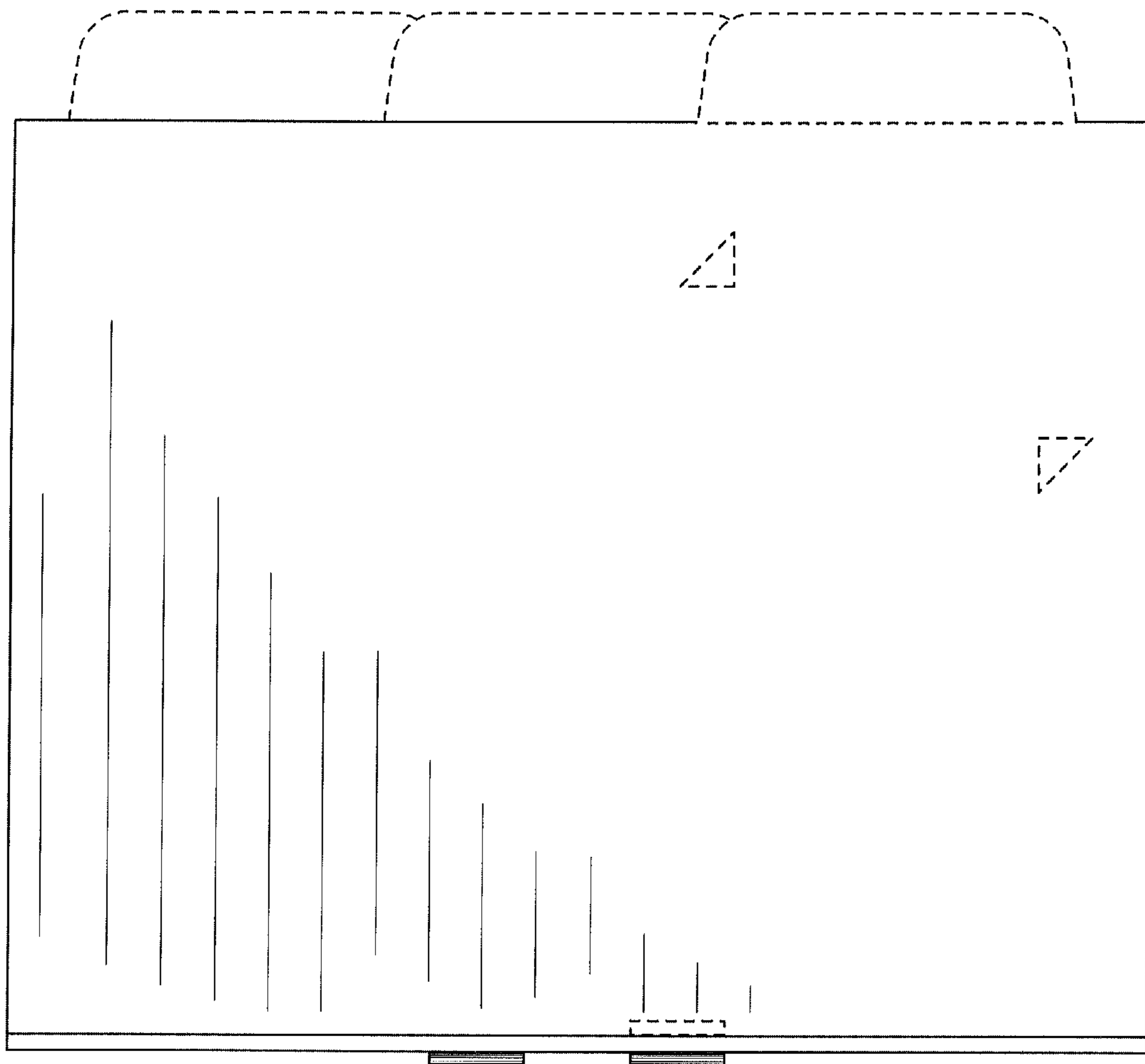


FIG. 2

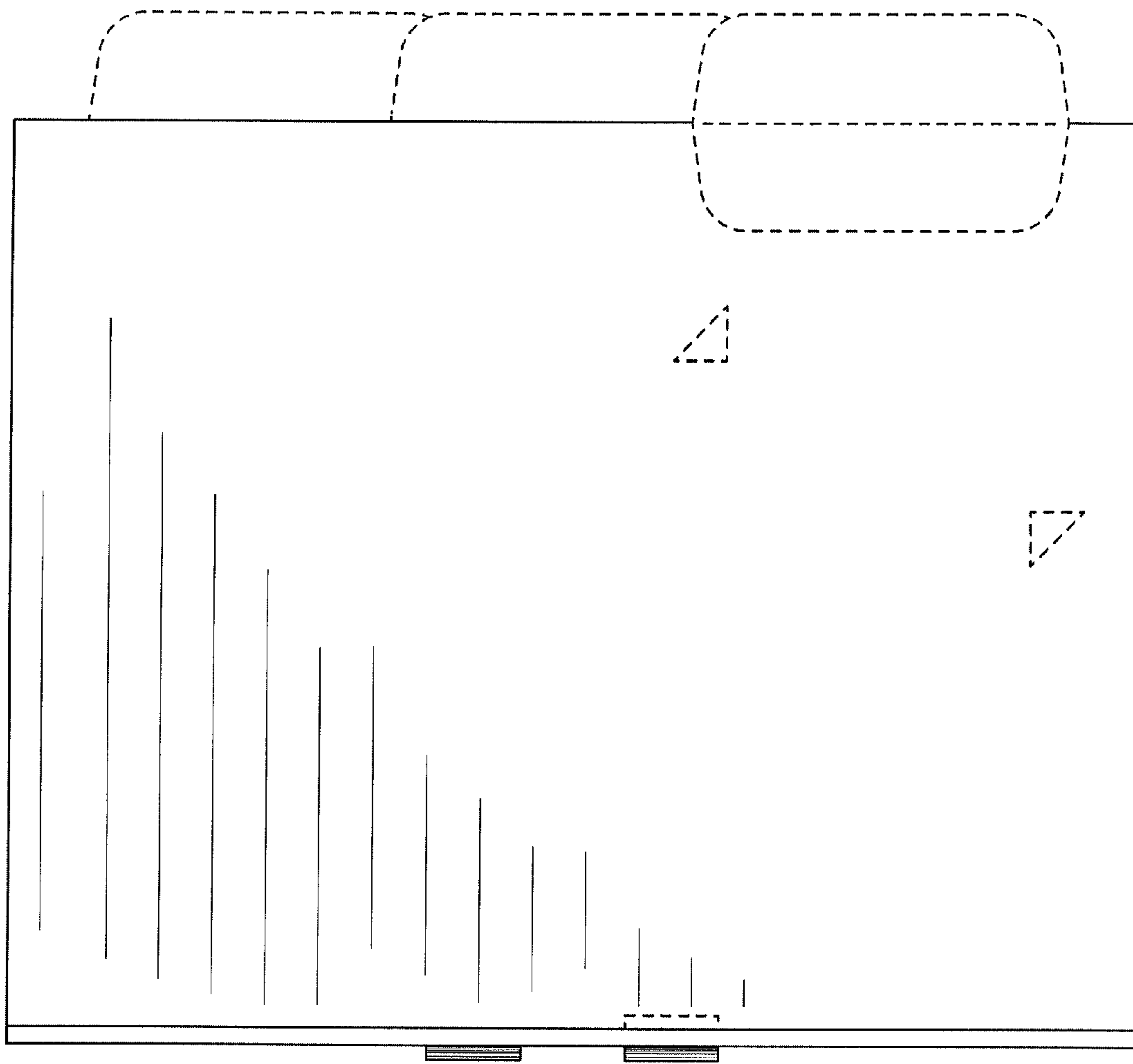


FIG. 3

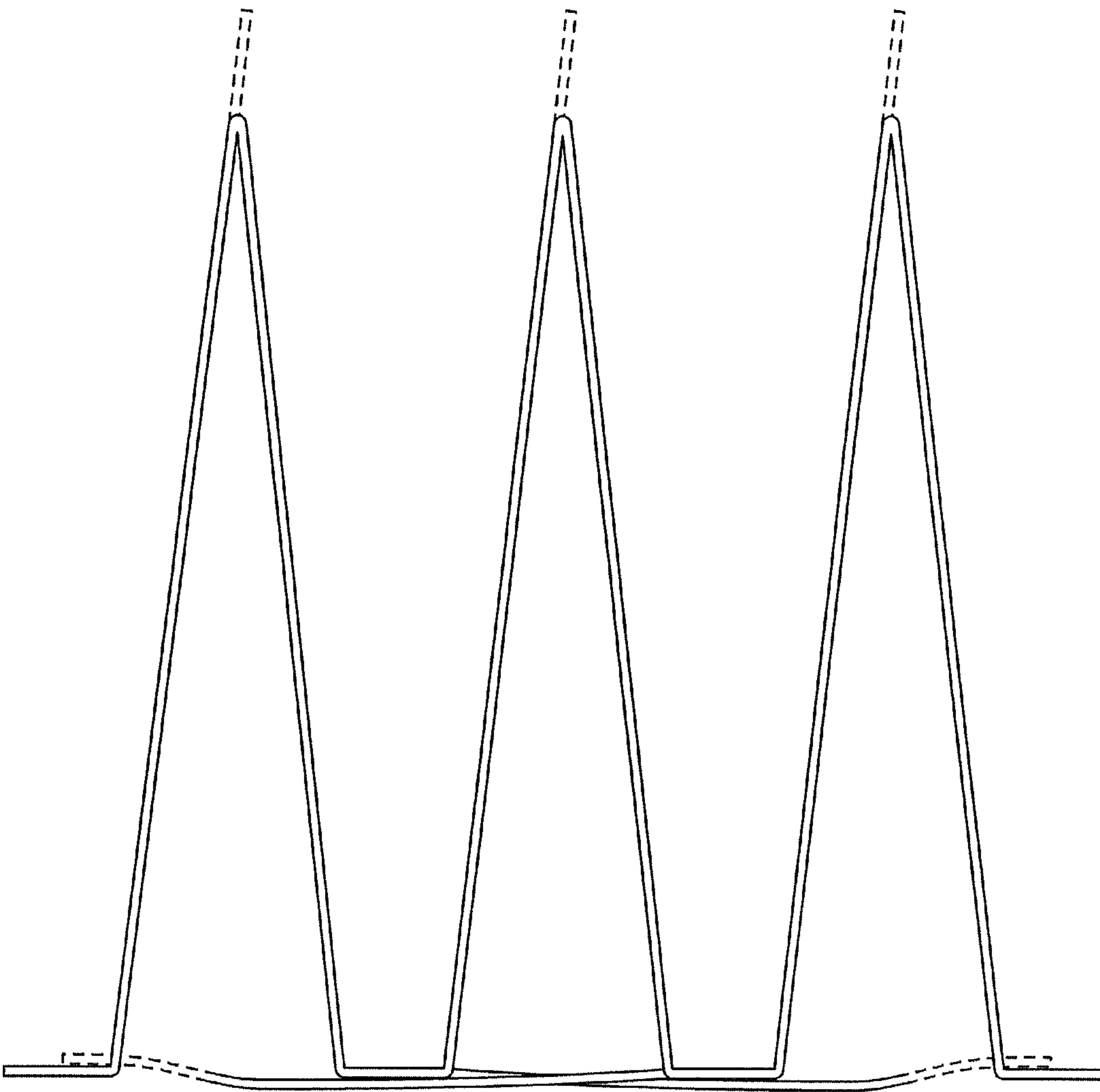


FIG. 4

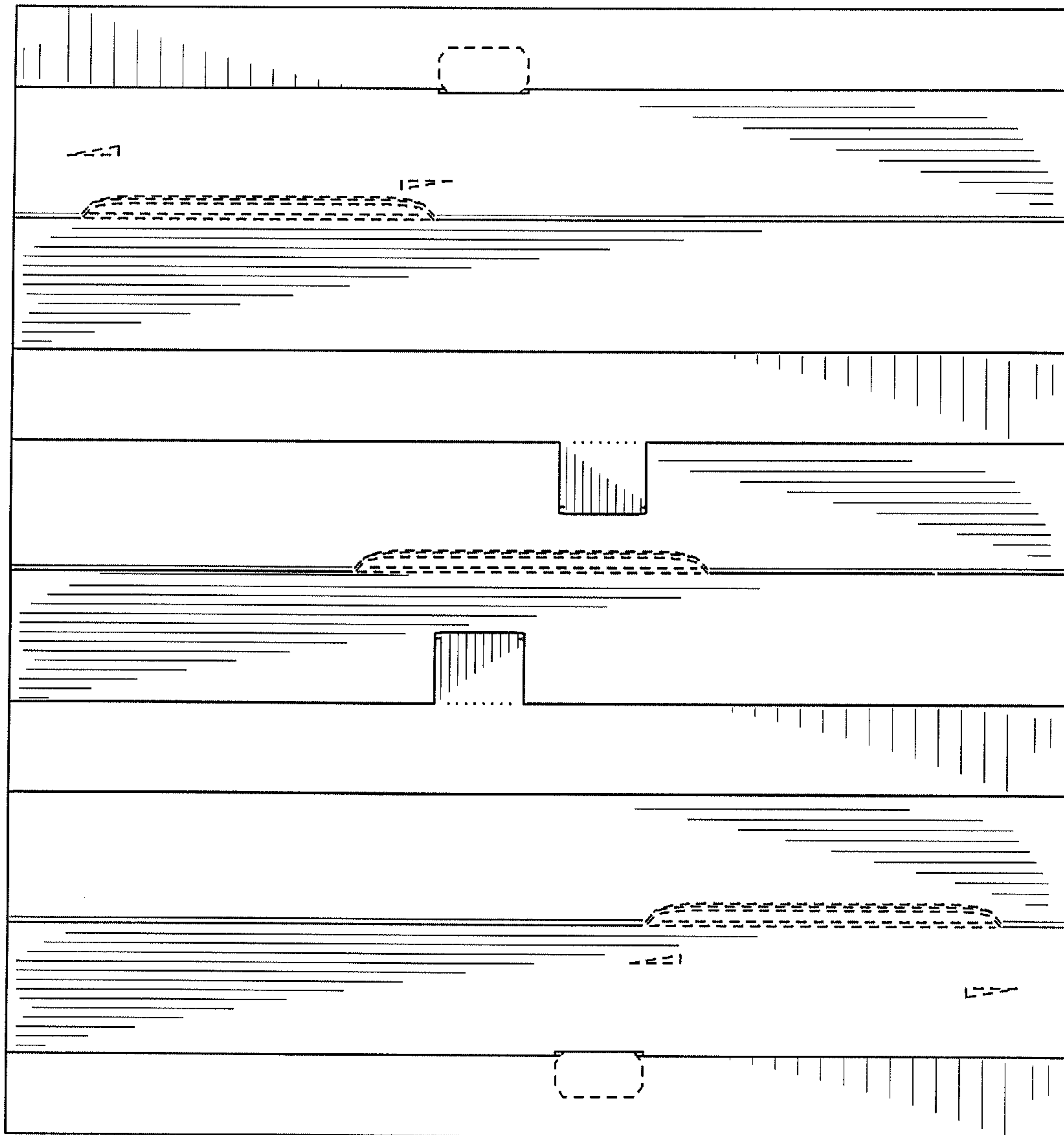


FIG. 5

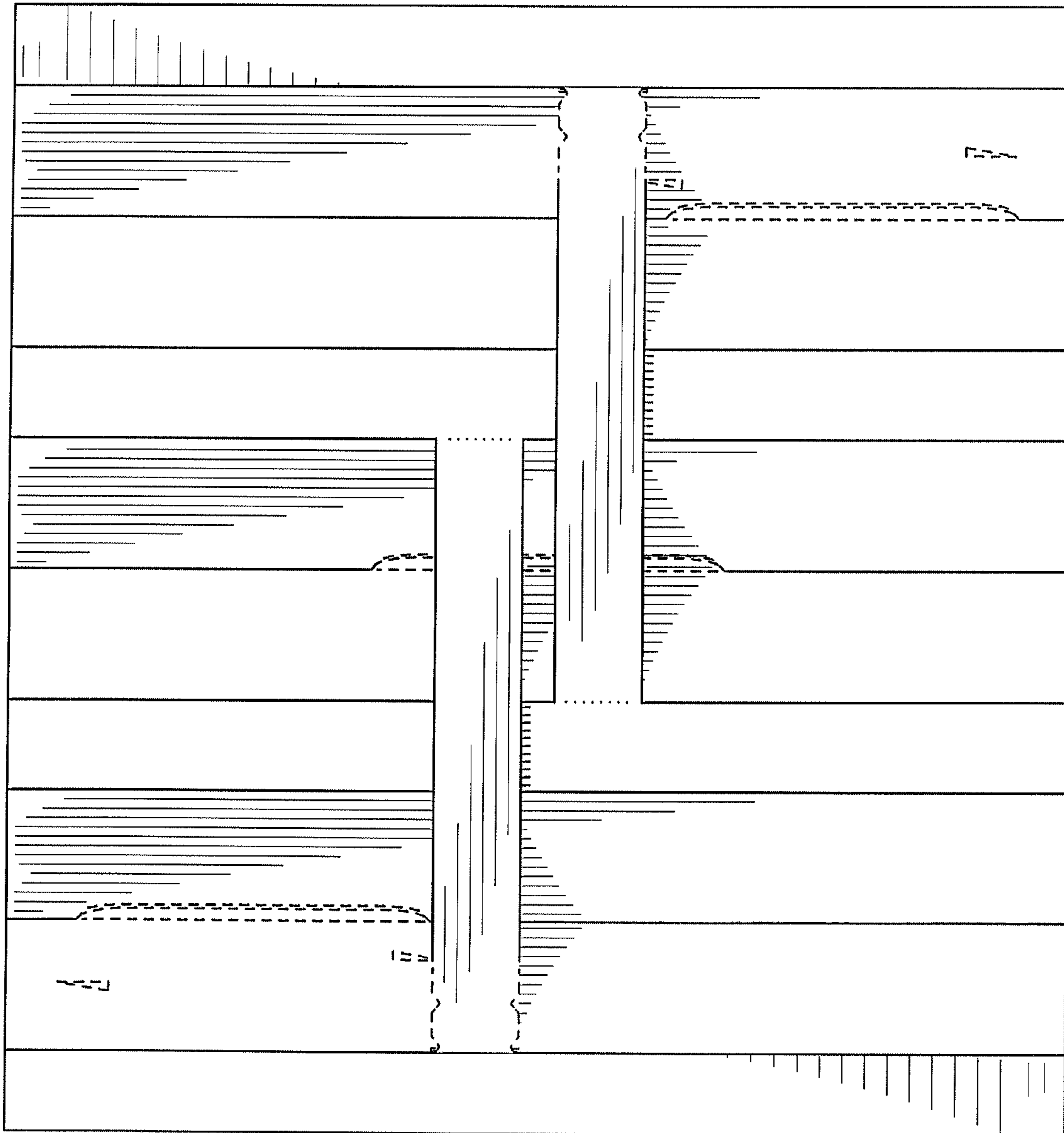


FIG. 6

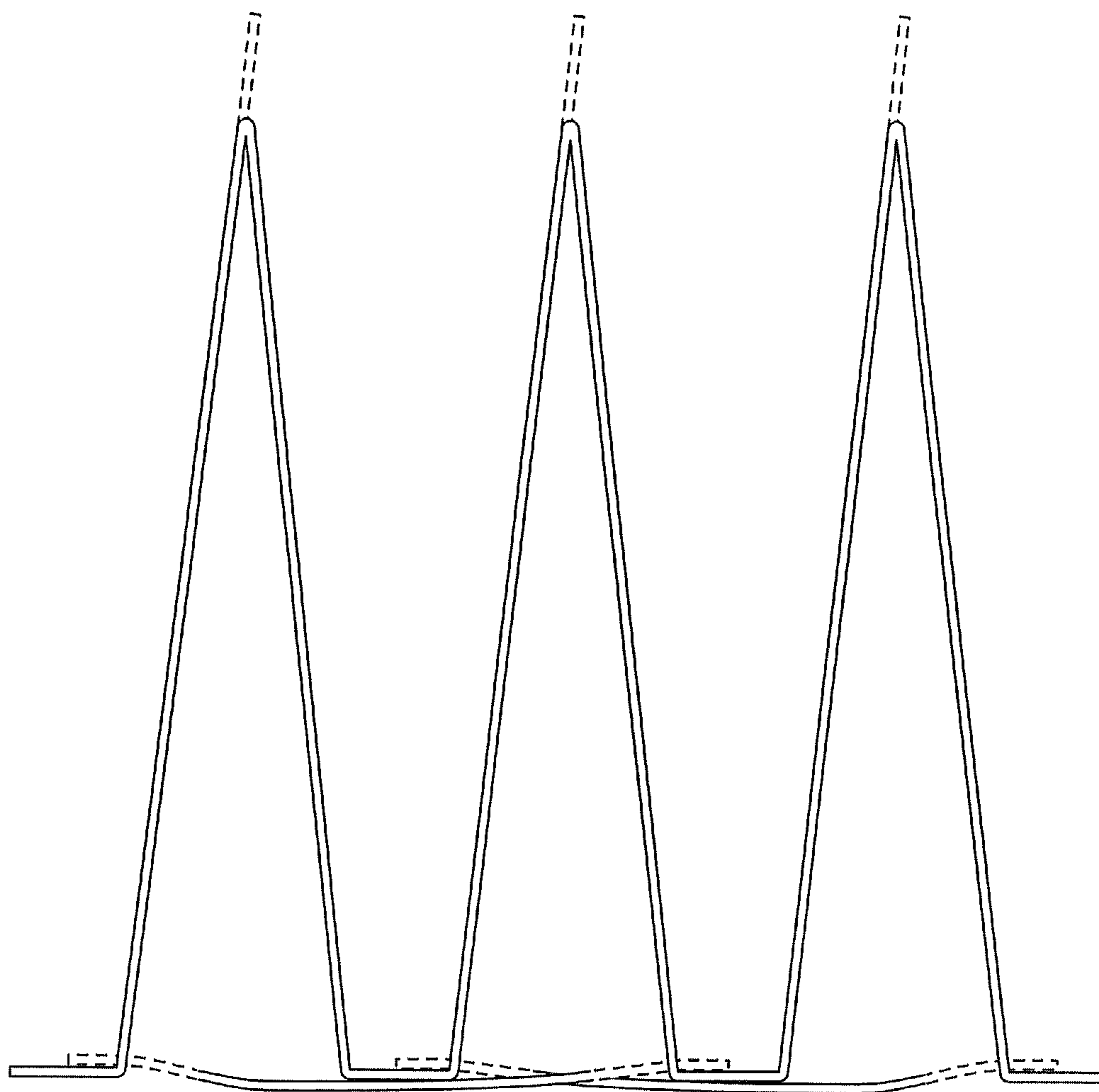


FIG. 7

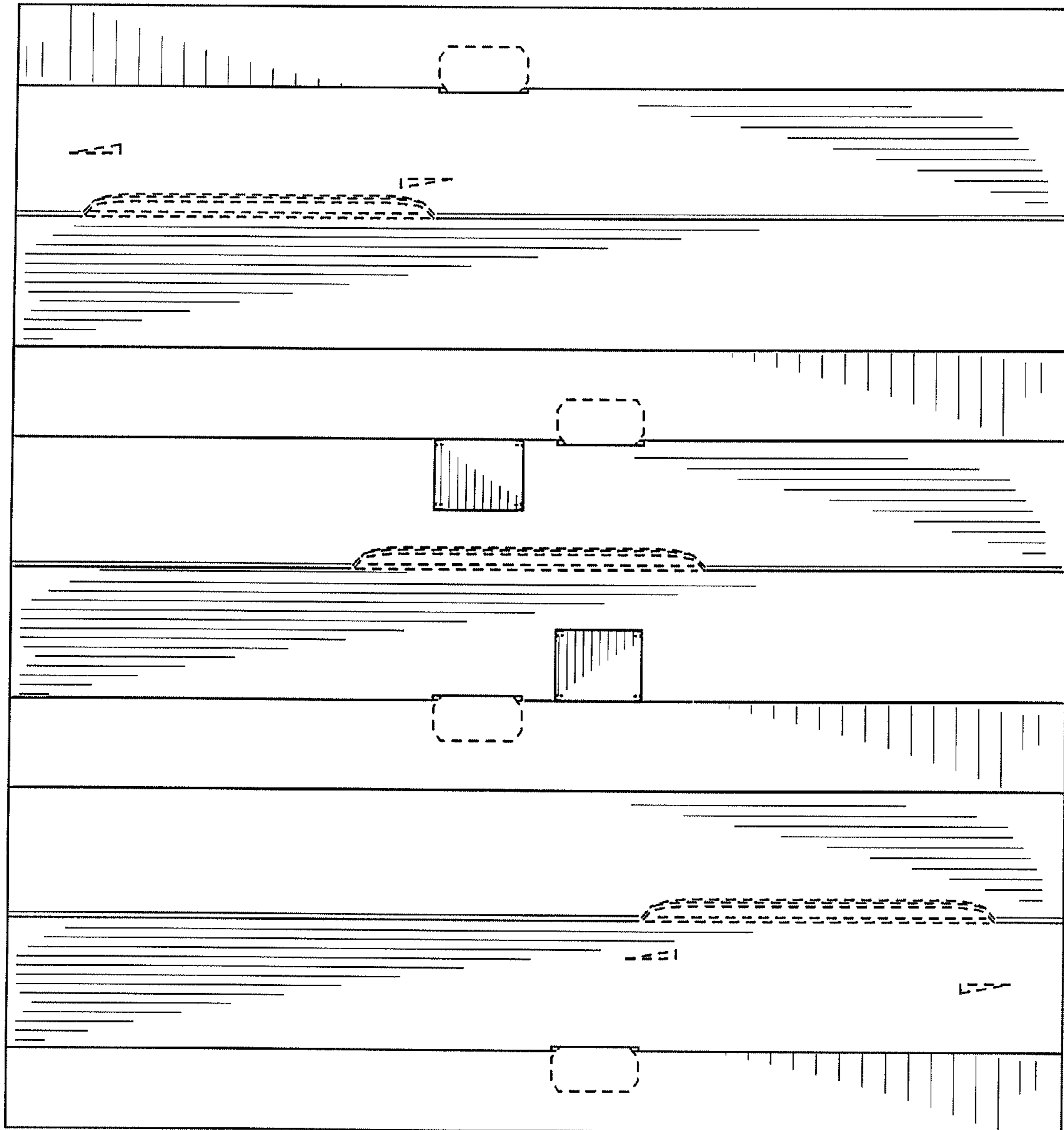


FIG. 8

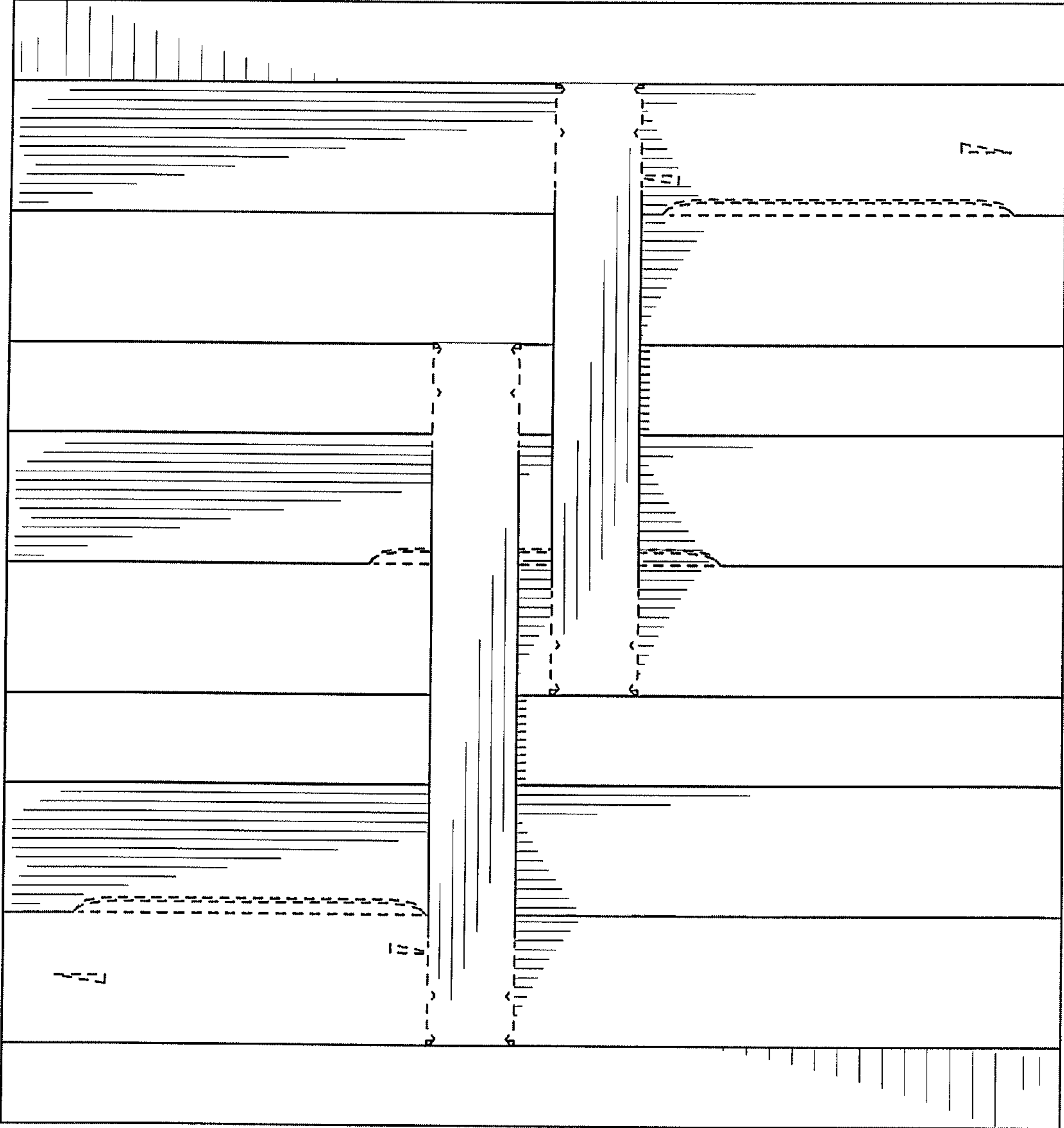


FIG. 9