



US00D712473S

(12) **United States Design Patent**
Andochick

(10) **Patent No.:** **US D712,473 S**
(45) **Date of Patent:** **** Sep. 2, 2014**

(54) **WRITING INSTRUMENT HOLDER**

(76) Inventor: **Scott E. Andochick**, Potomac, MD (US)

(**) Term: **14 Years**

(21) Appl. No.: **29/431,622**

(22) Filed: **Sep. 10, 2012**

(51) **LOC (10) Cl.** **19-06**

(52) **U.S. Cl.**
USPC **D19/81**

(58) **Field of Classification Search**
USPC D3/206, 207, 310, 313; D6/672, 682.1,
D6/682.2; D7/701-708; D19/75, 77-85,
D19/91, 94, 97, 99, 100, 135; 24/3.6, 3.7;
206/214, 224, 371; 211/69.1-69.9, 70;
D8/382; D23/263

See application file for complete search history.

(56) **References Cited**

U.S. PATENT DOCUMENTS

1,679,382 A	8/1928	Sjobring	
2,236,194 A	3/1941	Lorber	
2,291,859 A	8/1942	Andrews	
2,297,806 A	10/1942	Smith	
D157,593 S *	3/1950	Hollaender	D8/382
2,594,955 A	4/1952	Markowitz	
2,644,212 A	7/1953	Markowitz	
D186,331 S *	10/1959	Hosking	D8/382
2,913,789 A	11/1959	Loredo	
2,964,812 A	12/1960	Cook	
3,028,631 A	4/1962	Cook	
3,159,372 A	12/1964	McIntosh	
3,171,176 A	3/1965	Shirley	
3,178,784 A	4/1965	Krauthamer	
D207,524 S *	4/1967	Terwilliger	D23/214
3,387,341 A	6/1968	Mates et al.	
D213,502 S *	3/1969	Ericson	D6/461
3,627,182 A	12/1971	Calkins	
3,756,550 A	9/1973	Koollitz	
4,447,238 A	5/1984	Eldridge, Jr.	

4,618,280 A	10/1986	Kageyama	
4,729,686 A	3/1988	Ambasz	
4,854,762 A	8/1989	Hubbard	
4,865,285 A	9/1989	Gaggianese	
D304,904 S *	12/1989	Kercher	D8/380
5,040,244 A	8/1991	Tubbs	
D348,723 S *	7/1994	Carroll	D23/263
5,379,491 A	1/1995	Solo	
D366,282 S	1/1996	Adams	
D374,606 S *	10/1996	Yeh	D8/382
D374,812 S *	10/1996	Hirano et al.	D8/382
D389,562 S *	1/1998	Picton	D23/263
5,794,767 A	8/1998	Wilson	
5,823,494 A	10/1998	Jones et al.	
D419,192 S	1/2000	Huang	
6,019,535 A	2/2000	Turner	
6,036,068 A	3/2000	Cartmell	
D441,021 S	4/2001	Roush	
D445,834 S	7/2001	Huang	
D455,950 S *	4/2002	Unwin et al.	D8/382
D458,637 S *	6/2002	Gaeta	D19/55

(Continued)

Primary Examiner — Elizabeth Albert

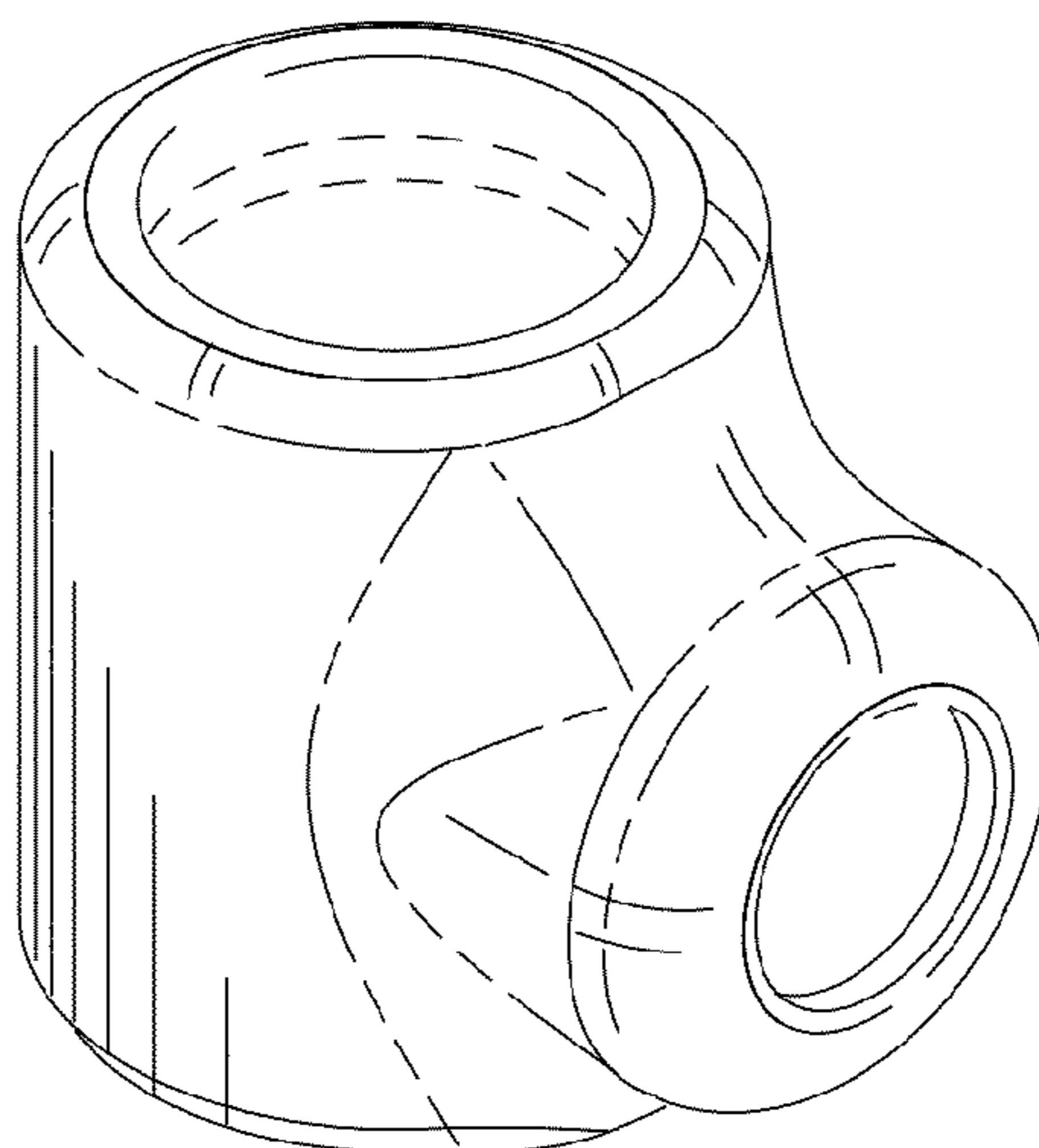
(57) **CLAIM**

The ornamental design for a writing instrument holder, as shown and described.

DESCRIPTION

FIG. 1 is a perspective view of a writing instrument holder showing my new design;
FIG. 2 is a left side view thereof;
FIG. 3 is a right side view thereof;
FIG. 4 is a rear view thereof;
FIG. 5 is a front view thereof;
FIG. 6 is a bottom view thereof; and,
FIG. 7 is a top view thereof.
The broken lines showing inside surfaces in FIGS. 1, 5, 6 and 7 are included to illustrate portions that form no part of the claimed design.

1 Claim, 4 Drawing Sheets



(56)

References Cited

U.S. PATENT DOCUMENTS

6,409,404 B1	6/2002	Piech	7,390,137 B1	6/2008	Rentz
6,449,815 B1	9/2002	Spiller	D606,389 S *	12/2009	Werschmidt D8/382
6,464,420 B2	10/2002	Brunetti	D617,382 S	6/2010	Guirlinger
6,530,510 B2	3/2003	Ferrari	D659,517 S *	5/2012	McGrath D8/355
6,626,334 B2	9/2003	Ewing	D686,573 S *	7/2013	Wu D13/130
D481,110 S *	10/2003	Snyder et al. D23/263	2003/0059570 A1	3/2003	Touzani
6,663,305 B2 *	12/2003	Poulos 401/19	2004/0006850 A1	1/2004	Wax
D485,297 S	1/2004	Reda et al.	2004/0148740 A1	8/2004	Arnone
6,719,470 B2	4/2004	Berhin	2004/0237262 A1	12/2004	Arnone
D497,180 S	10/2004	Cetera	2005/0023420 A1	2/2005	Sadeh et al.
6,830,402 B2	12/2004	Sunatori	2005/0223525 A1	10/2005	Wartian et al.
D501,879 S	2/2005	Martin	2006/0239756 A1	10/2006	Paluda
D511,544 S	11/2005	Martin	2006/0282989 A1	12/2006	Dietz
6,981,812 B1	1/2006	Hsieh	2006/0282993 A1	12/2006	Dietz
7,101,103 B1	9/2006	Dietz	2007/0261174 A1	11/2007	Barker
D531,019 S	10/2006	Plumer	2008/0054033 A1	3/2008	Synness
7,252,450 B2	8/2007	Aguirre et al.	2008/0226378 A1	9/2008	Sheu
7,350,996 B2	4/2008	Bielecki et al.	2009/0016800 A1	1/2009	Barthakur
			2010/0219217 A1	9/2010	Andochick
			2011/0180681 A1	7/2011	Guirlinger

* cited by examiner

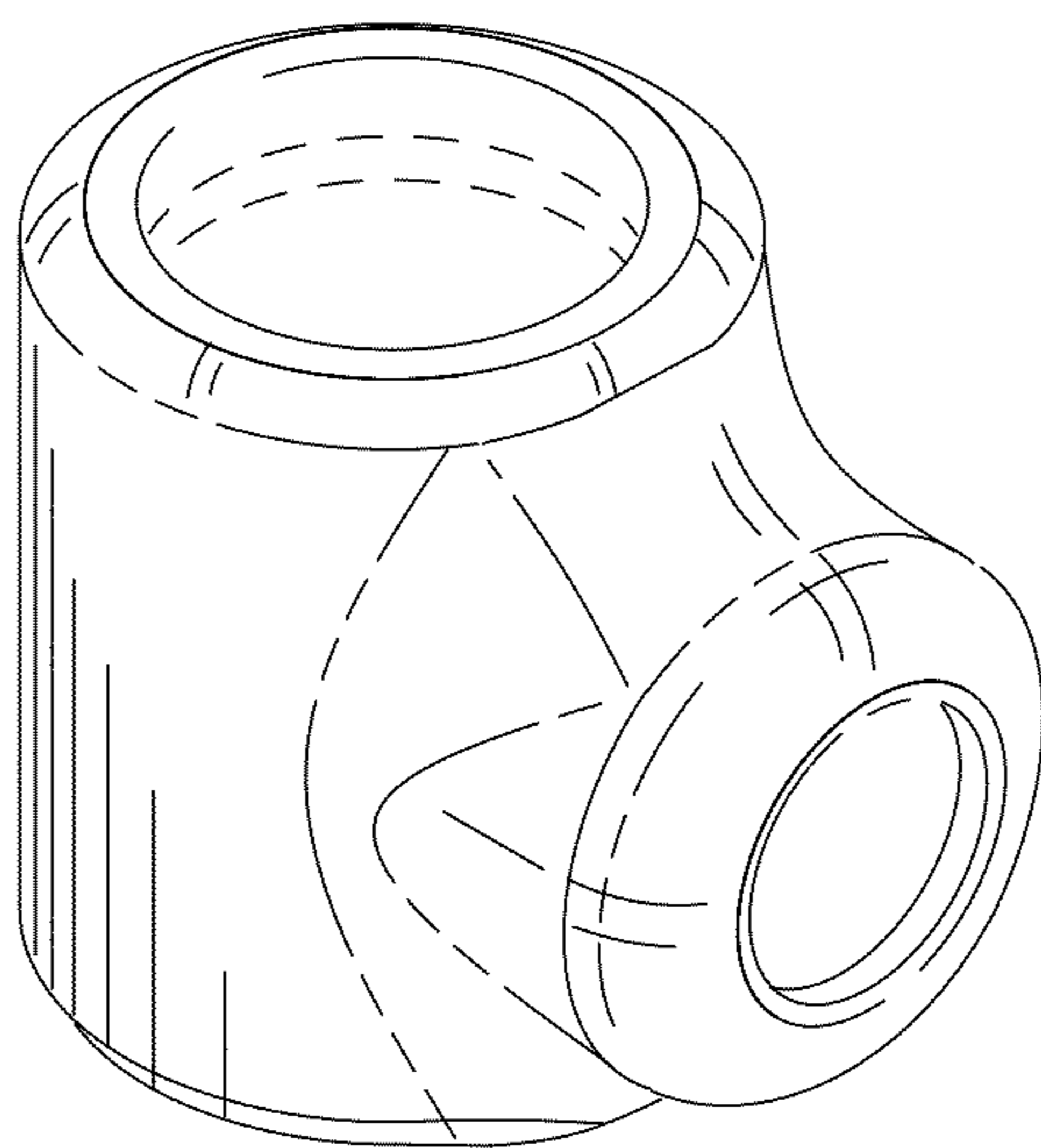


FIG. 1

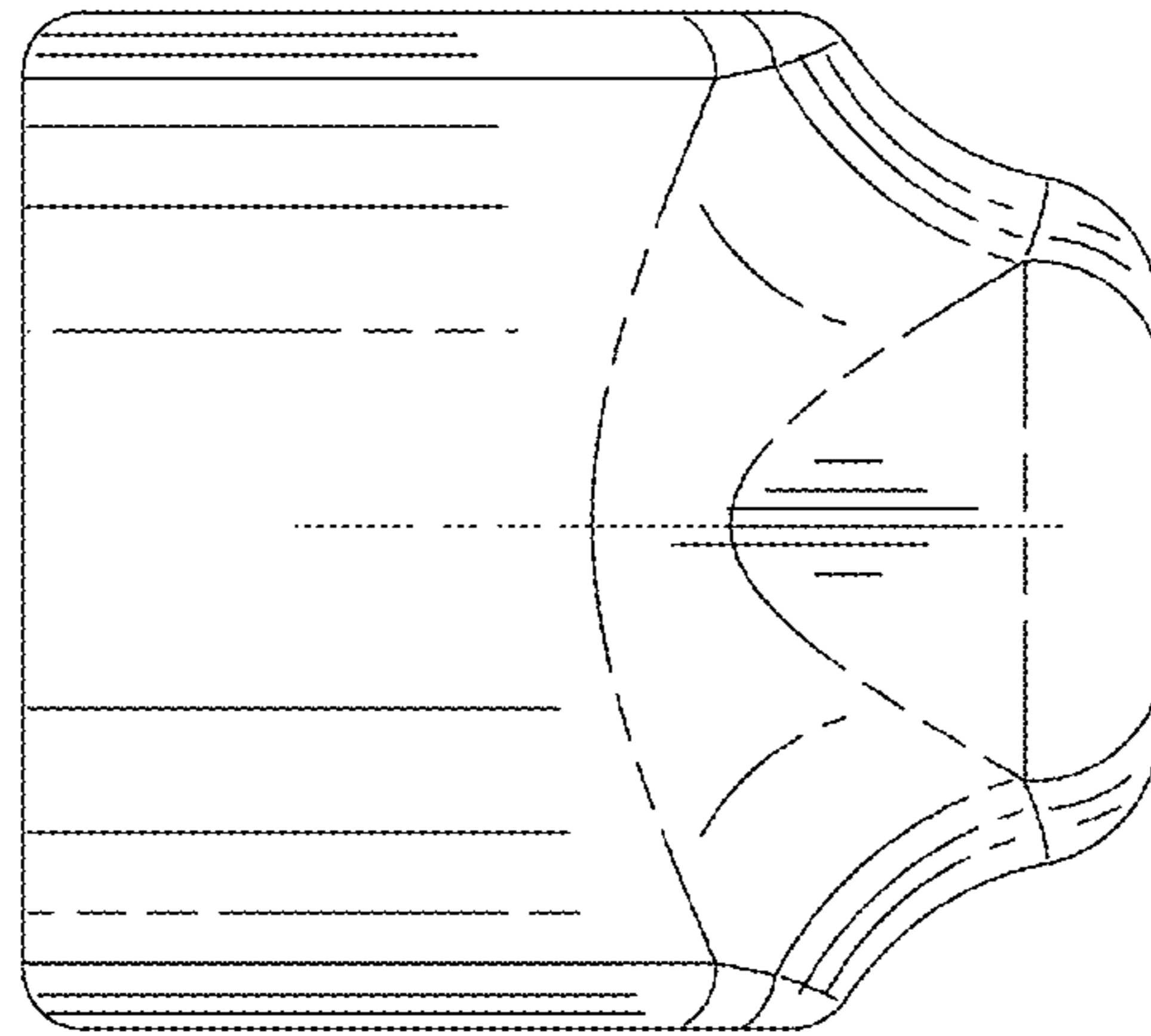


FIG. 2

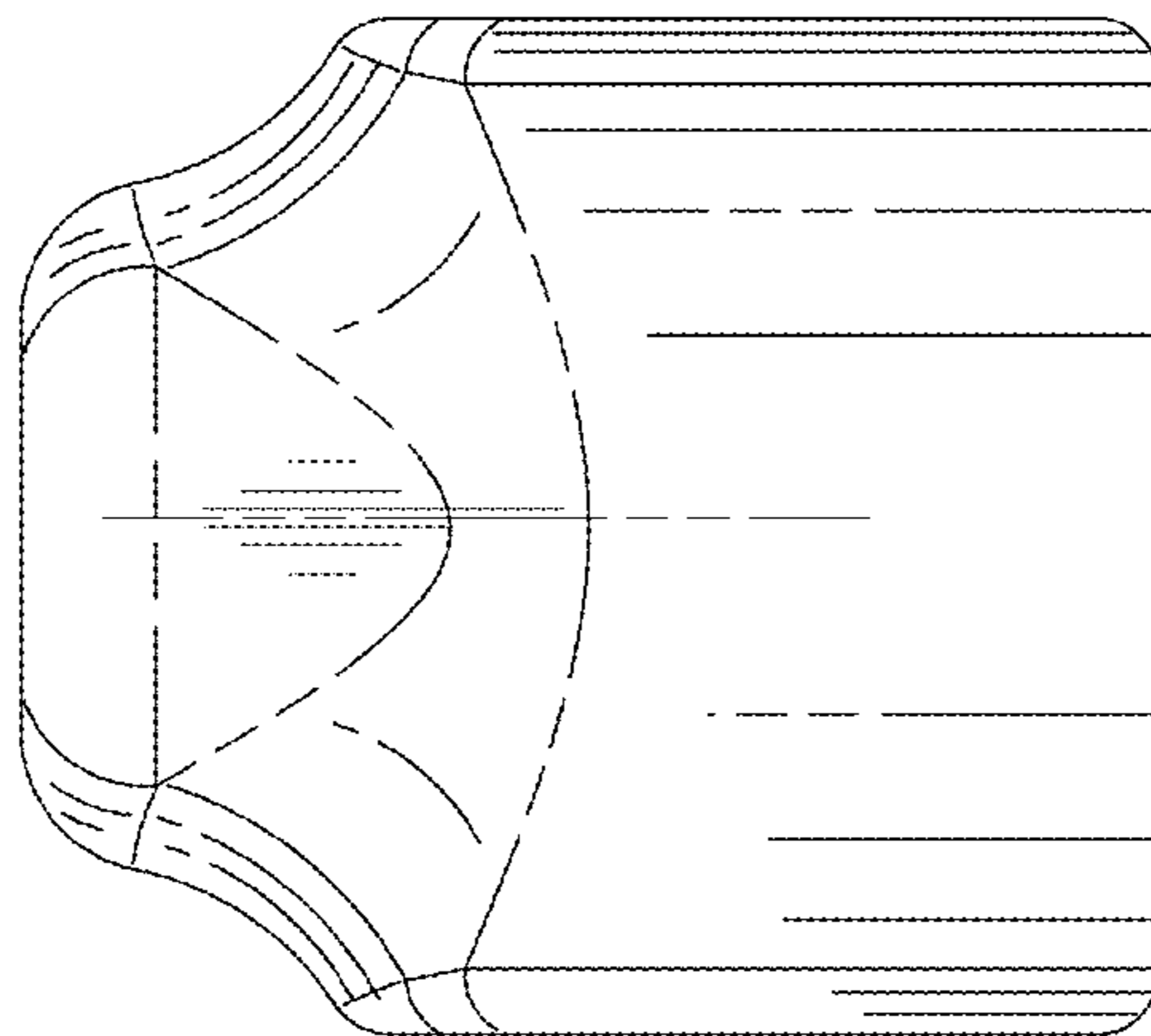


FIG. 3

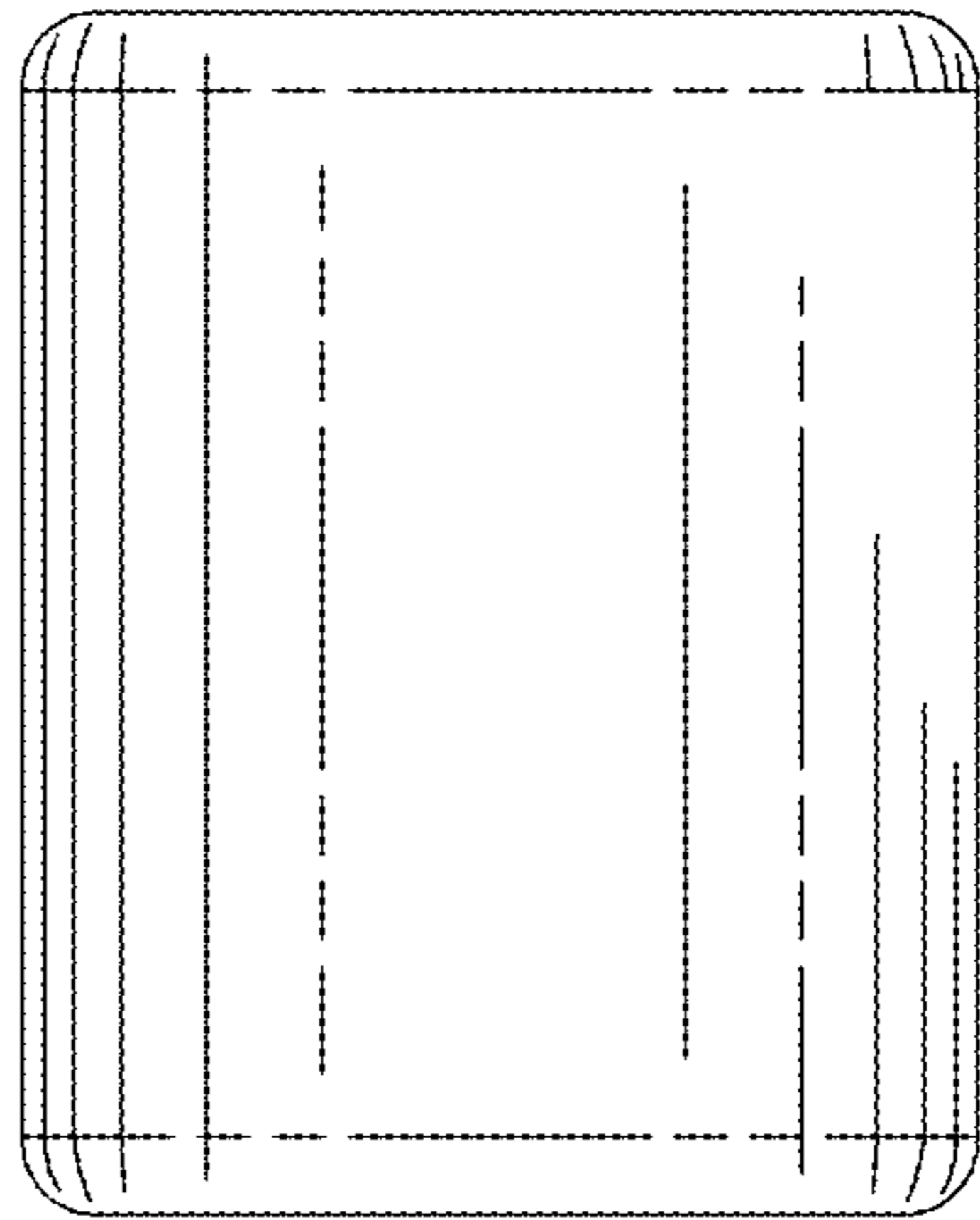


FIG. 4

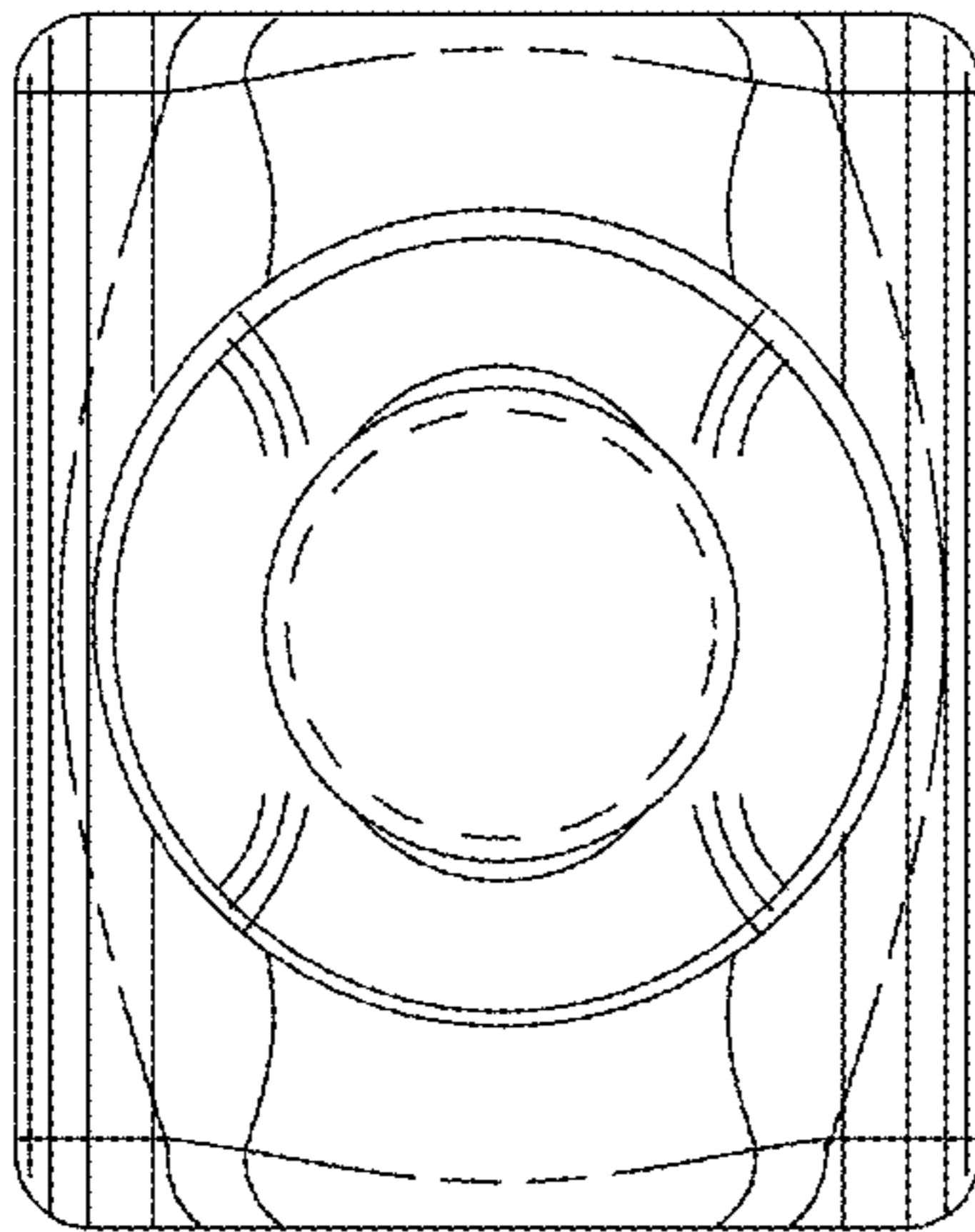


FIG. 5

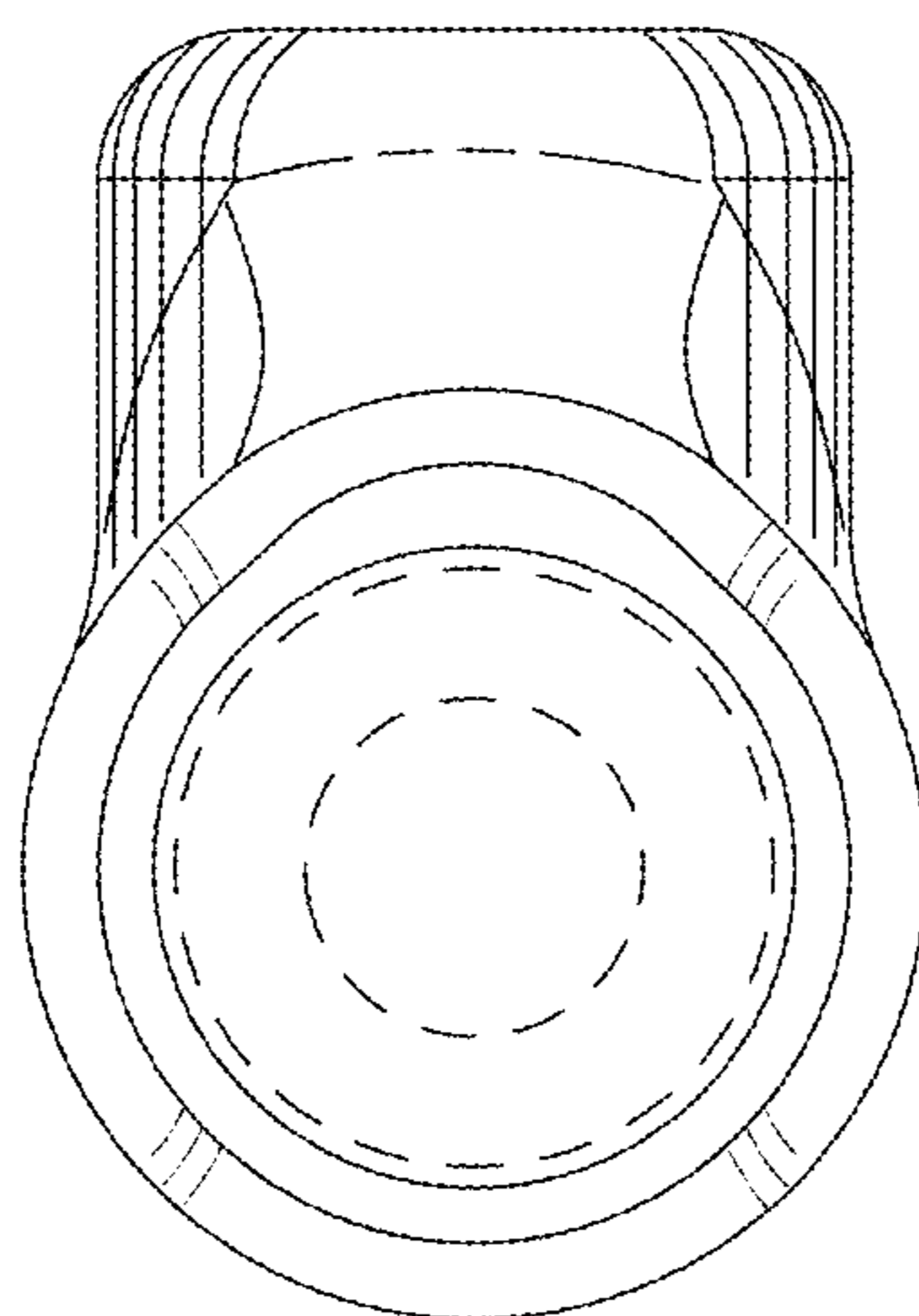


FIG. 6

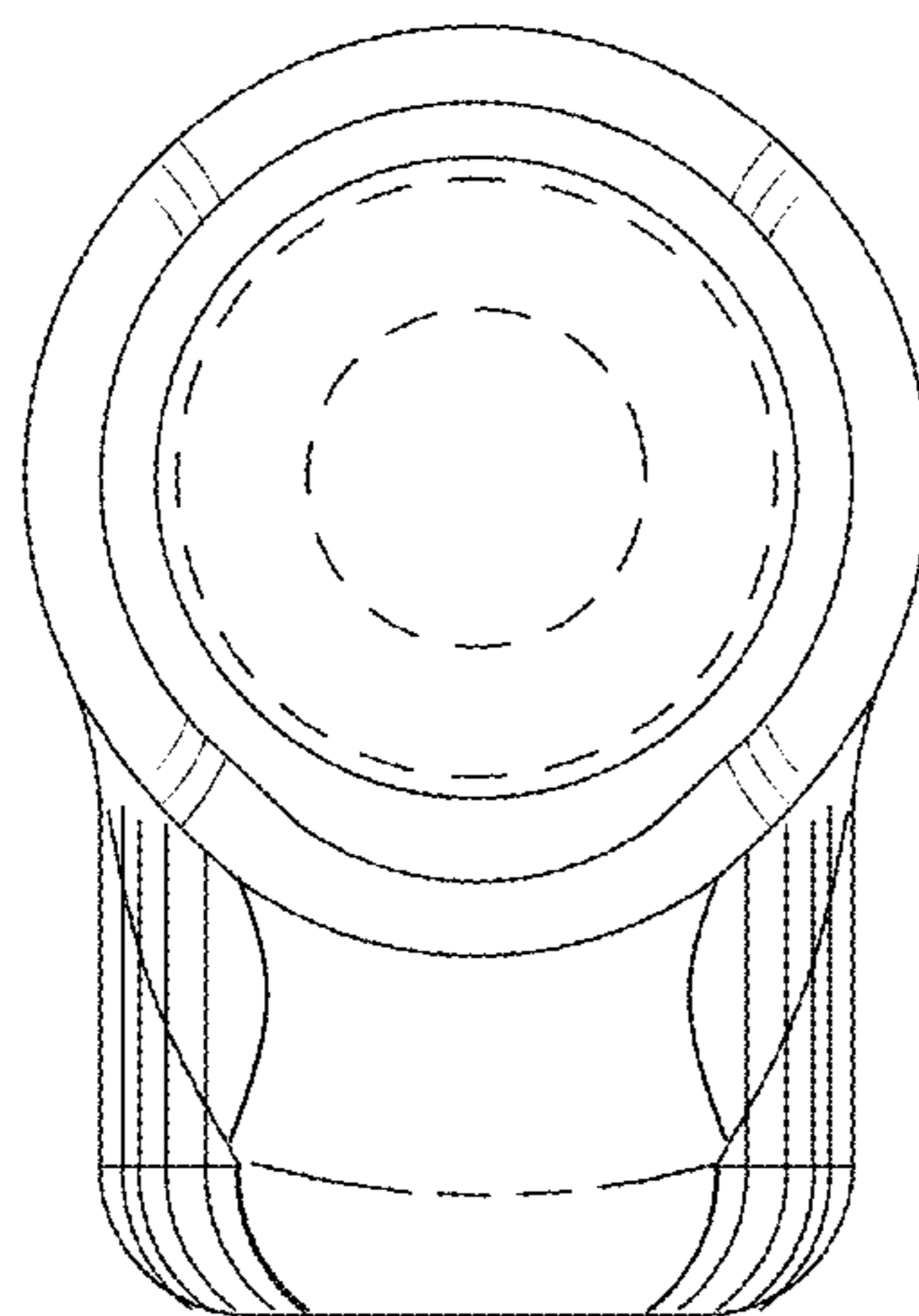


FIG. 7