



US00D712468S

(12) **United States Design Patent**  
**Klosky**

(10) **Patent No.:** **US D712,468 S**

(45) **Date of Patent:** **\*\* Sep. 2, 2014**

(54) **FOLDER**

(71) Applicant: **Ideastream Consumer Products, LLC**,  
Cleveland, OH (US)

(72) Inventor: **Eric Fitzgerald Klosky**, Chagrin Falls,  
OH (US)

(73) Assignee: **Ideastream Consumer Products, LLC**,  
Cleveland, OH (US)

(\*\*) Term: **14 Years**

(21) Appl. No.: **29/466,471**

(22) Filed: **Sep. 9, 2013**

**Related U.S. Application Data**

(62) Division of application No. 29/388,234, filed on Mar.  
25, 2011, now Pat. No. Des. 691,195.

(51) **LOC (10) Cl.** ..... **19-04**

(52) **U.S. Cl.**  
USPC ..... **D19/26**

(58) **Field of Classification Search**  
USPC ..... D19/26-33, 75, 86; 283/36-37, 39-41;  
40/359-360, 641, 649; 229/67.1-67.4,  
229/72; 281/38, 42; 206/215, 312, 425;  
312/183, 184

See application file for complete search history.

(56) **References Cited**

**U.S. PATENT DOCUMENTS**

1,495,953	A *	5/1924	Dick	.....	281/31
4,388,958	A *	6/1983	Dworkin	.....	229/72
D312,476	S *	11/1990	Westendorff	.....	D19/27
5,909,979	A *	6/1999	Winzen	.....	402/79
6,082,612	A *	7/2000	Black	.....	229/67.1
6,138,900	A *	10/2000	Zeiler	.....	229/67.4
D438,904	S *	3/2001	Reynolds	.....	D19/90
6,808,104	B2 *	10/2004	Cobble	.....	229/67.1
D577,768	S *	9/2008	Takahashi	.....	D19/27
D588,634	S *	3/2009	Wittmeyer et al.	.....	D19/26
D637,229	S *	5/2011	Hicks et al.	.....	D19/26

\* cited by examiner

*Primary Examiner* — T. Chase Nelson

*Assistant Examiner* — Kathleen M Sims

(74) *Attorney, Agent, or Firm* — Calfee, Halter & Griswold  
LLP

(57) **CLAIM**

I claim the ornamental design for a folder, as shown and  
described.

**DESCRIPTION**

FIG. 1 is a front/right/top perspective view of a first embodi-  
ment of the folder (left tab; no gusset; attached left and bot-  
tom);

FIG. 2 is a front elevational view thereof;

FIG. 3 is a rear elevational view thereof;

FIG. 4 is a top plan view thereof;

FIG. 5 is a bottom plan view thereof;

FIG. 6 is a left side elevational view thereof; and

FIG. 7 is a right side elevational view thereof.

FIG. 8 is an alternate front/left/top perspective view thereof,  
with the front surface shown in an alternate position, curled  
from upper right to lower left.

FIG. 9 is a front/right/top perspective view of a second  
embodiment of the folder;

FIG. 10 is a front elevational view thereof;

FIG. 11 is a rear elevational view thereof;

FIG. 12 is a top plan view thereof;

FIG. 13 is a bottom plan view thereof;

FIG. 14 is a left side elevational view thereof; and

FIG. 15 is a right side elevational view thereof.

FIG. 16 is an alternate front/left/top perspective view thereof,  
with the front surface shown in an alternate position, curled  
from upper right to lower left.

FIG. 17 is a front/right/top perspective view of a third  
embodiment of the folder;

FIG. 18 is a front elevational view thereof;

FIG. 19 is a rear elevational view thereof;

FIG. 20 is a top plan view thereof;

FIG. 21 is a bottom plan view thereof;

FIG. 22 is a left side elevational view thereof; and

FIG. 23 is a right side elevational view thereof.

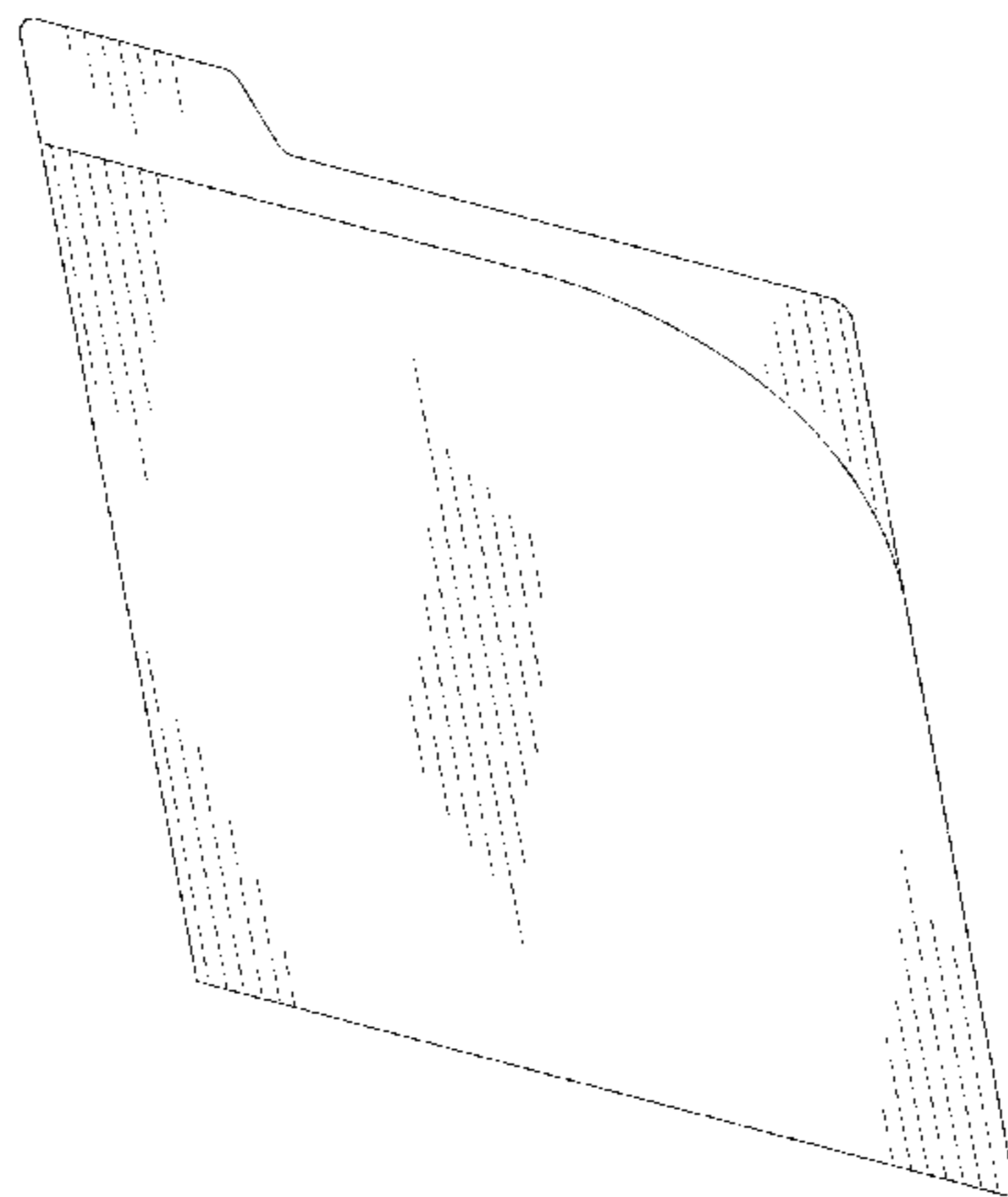


FIG. 24 is an alternate front/left/top perspective view thereof, with the front surface shown in an alternate position, curled from upper right to lower left.

FIG. 25 is a front/right/top perspective view of a fourth embodiment of the folder;

FIG. 26 is a front elevational view thereof;

FIG. 27 is a rear elevational view thereof;

FIG. 28 is a top plan view thereof;

FIG. 29 is a bottom plan view thereof;

FIG. 30 is a left side elevational view thereof; and

FIG. 31 is a right side elevational view thereof.

FIG. 32 is an alternate front/left/top perspective view thereof, with the front surface shown in an alternate position, curled from upper right to lower left.

FIG. 33 is an alternate front elevational view thereof, with the gusset shown in an alternate position, extended out, which configuration might be used for packaging and shipping.

FIG. 34 is a front/right/top perspective view of a fifth embodiment of the folder;

FIG. 35 is a front elevational view thereof;

FIG. 36 is a rear elevational view thereof;

FIG. 37 is a top plan view thereof;

FIG. 38 is a bottom plan view thereof;

FIG. 39 is a left side elevational view thereof; and

FIG. 40 is a right side elevational view thereof.

FIG. 41 is an alternate front/left/top perspective view thereof, with the front surface shown in an alternate position, curled from upper right to lower left.

FIG. 42 is an alternate front elevational view thereof, with the gusset shown in an alternate position, extended out, which configuration might be used for packaging and shipping.

FIG. 43 is a front/right/top perspective view of a sixth embodiment of the folder;

FIG. 44 is a front elevational view thereof;

FIG. 45 is a rear elevational view thereof;

FIG. 46 is a top plan view thereof;

FIG. 47 is a bottom plan view thereof;

FIG. 48 is a left side elevational view thereof; and

FIG. 49 is a right side elevational view thereof.

FIG. 50 is an alternate front/left/top perspective view thereof, with the front surface shown in an alternate position, curled from upper right to lower left; and,

FIG. 51 is an alternate front elevational view thereof, with the gusset shown in an alternate position, extended out, which configuration might be used for packaging and shipping.

For clarity of disclosure the material thicknesses in the top, bottom, left side and right side views have been exaggerated.

**1 Claim, 27 Drawing Sheets**

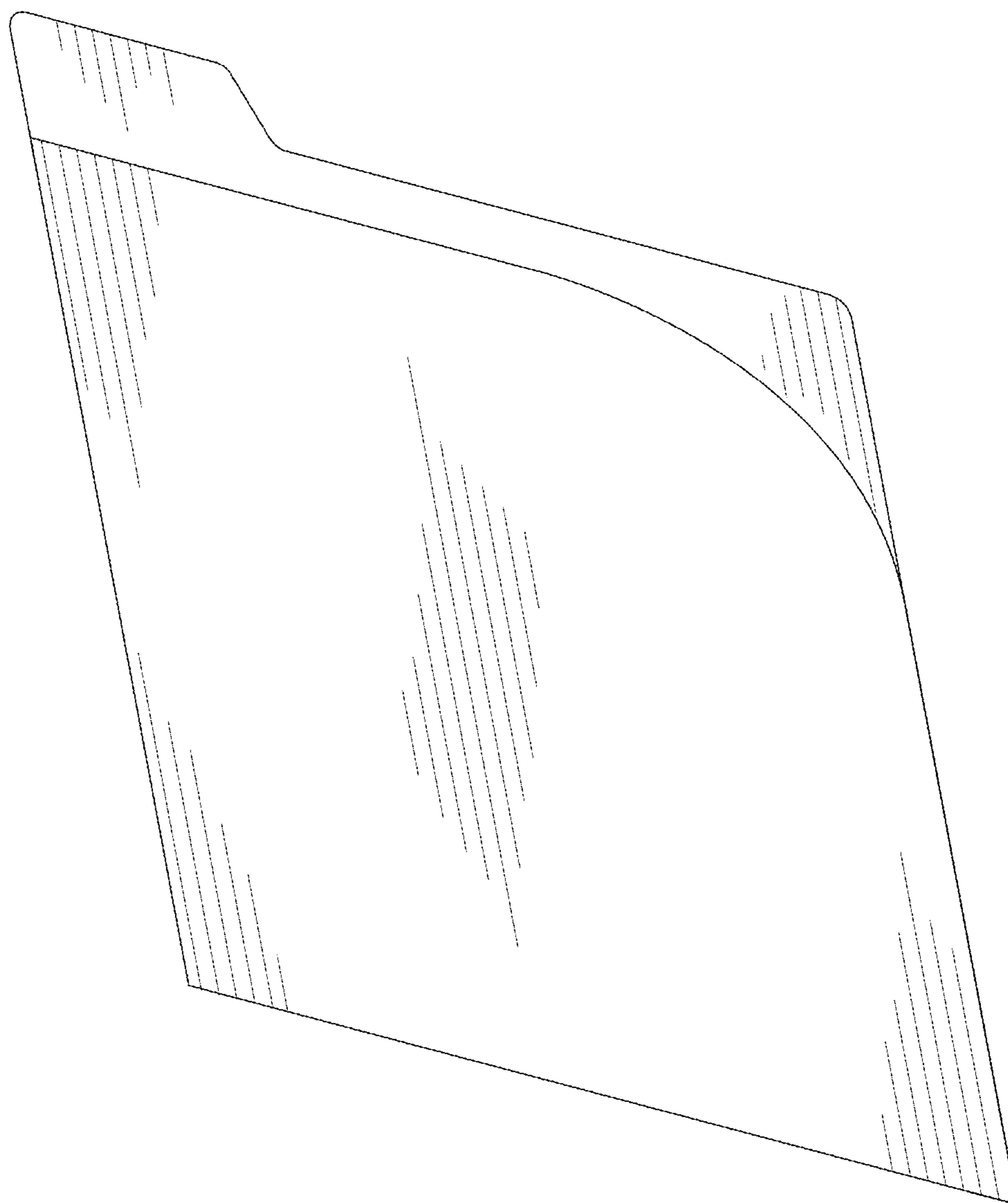


FIG. 1

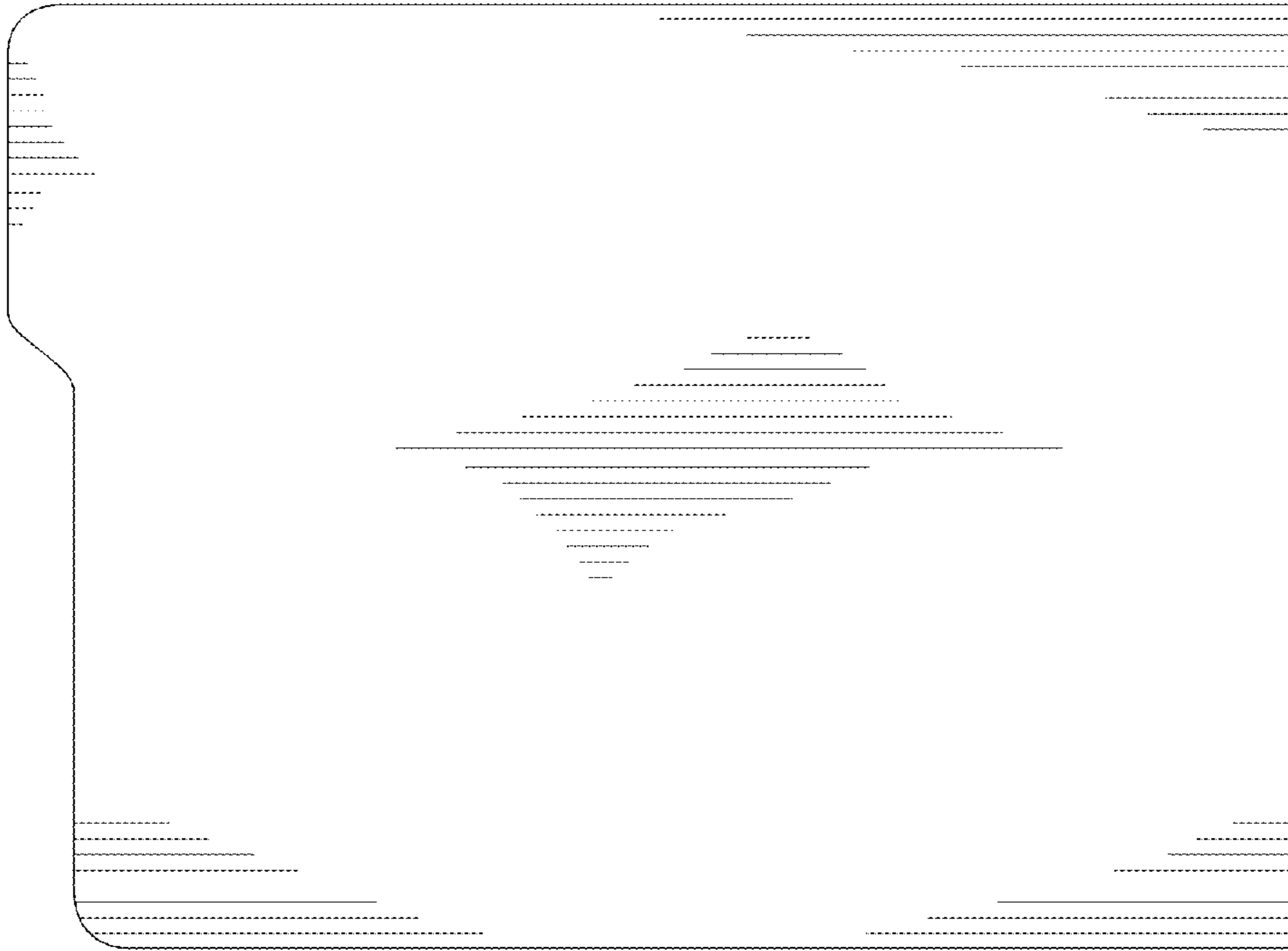


FIG. 3

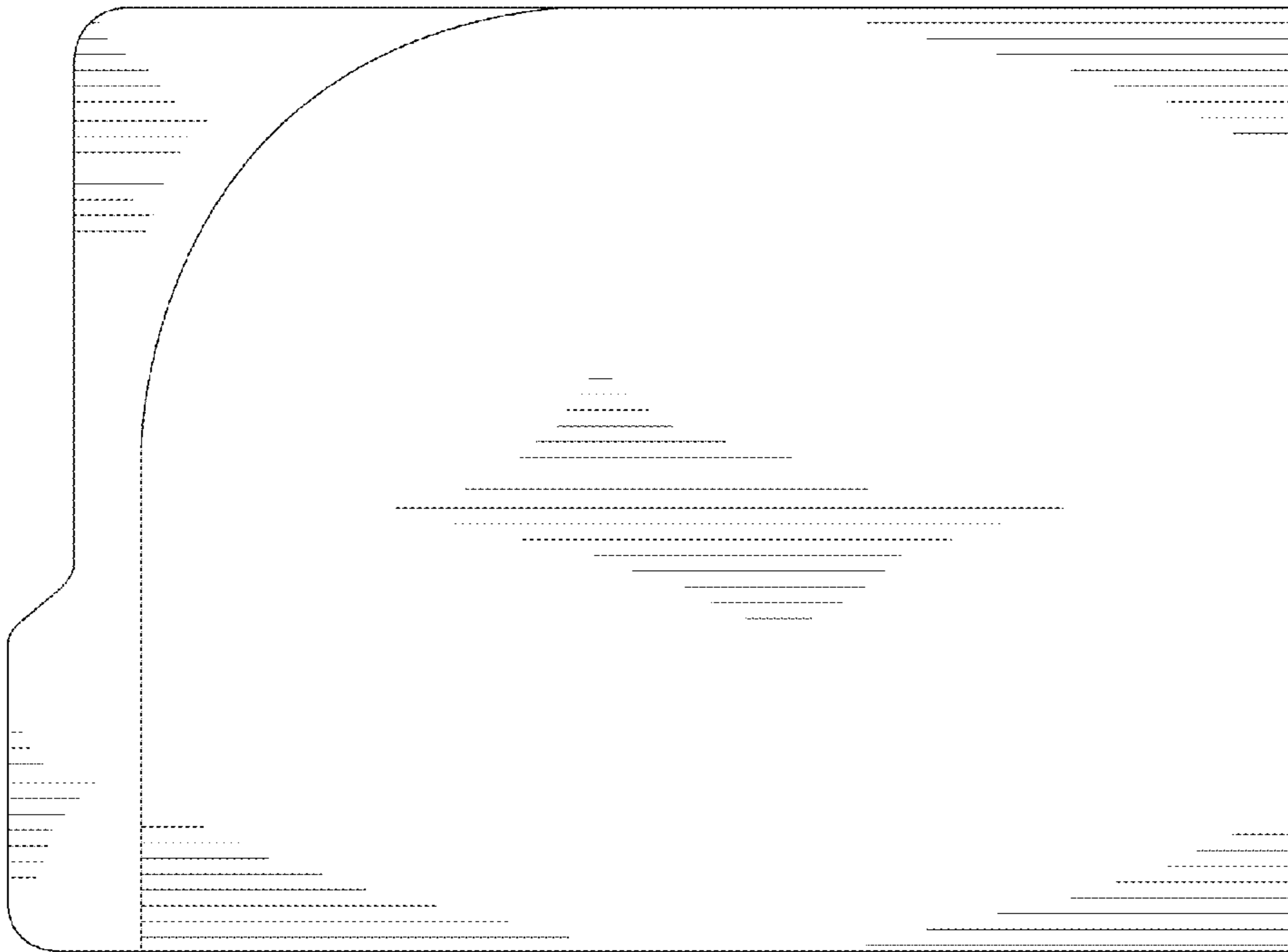


FIG. 2



FIG. 4



FIG. 5

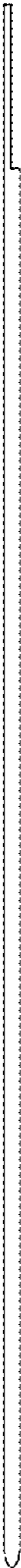


FIG. 6



FIG. 7

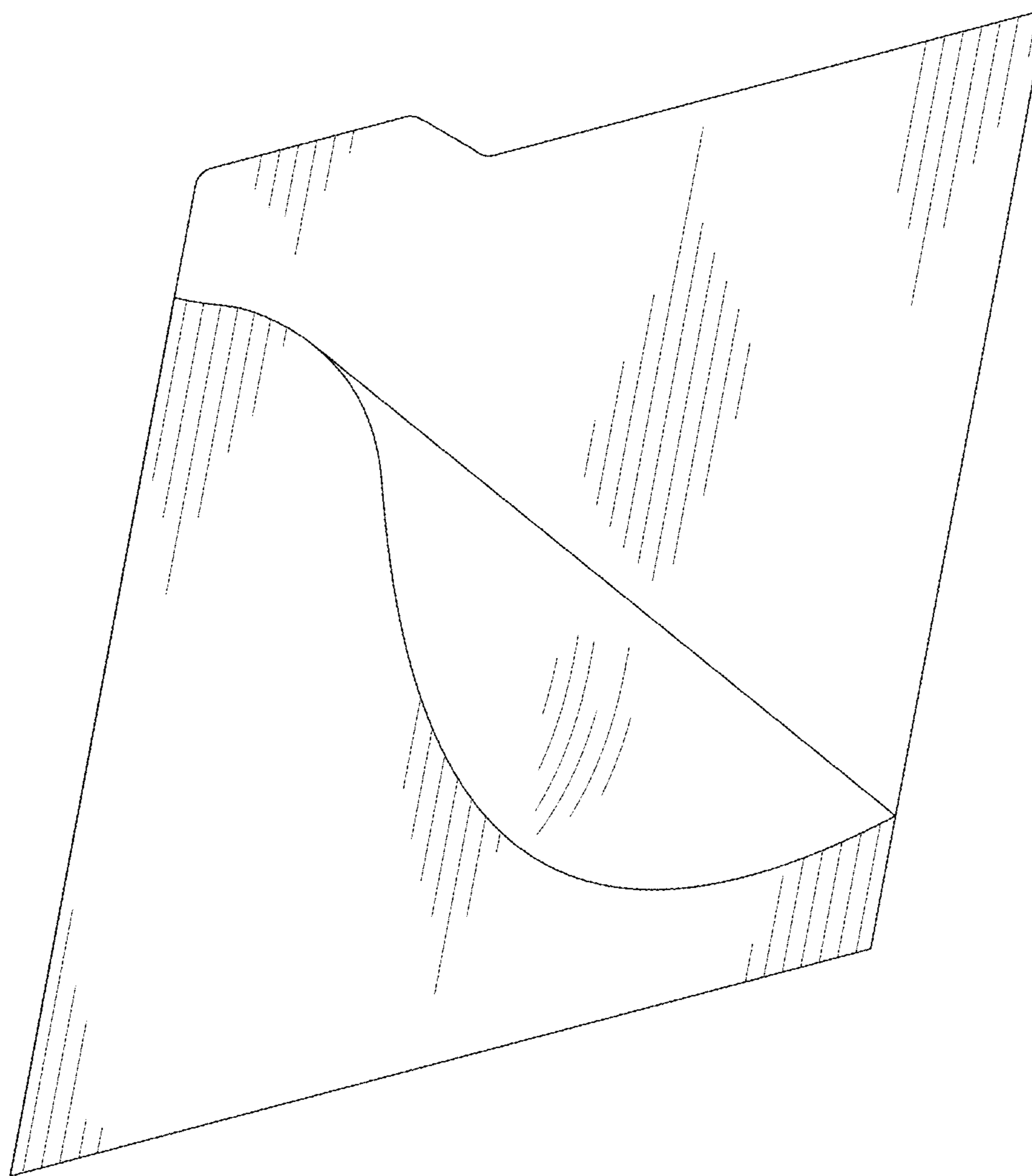


FIG. 8

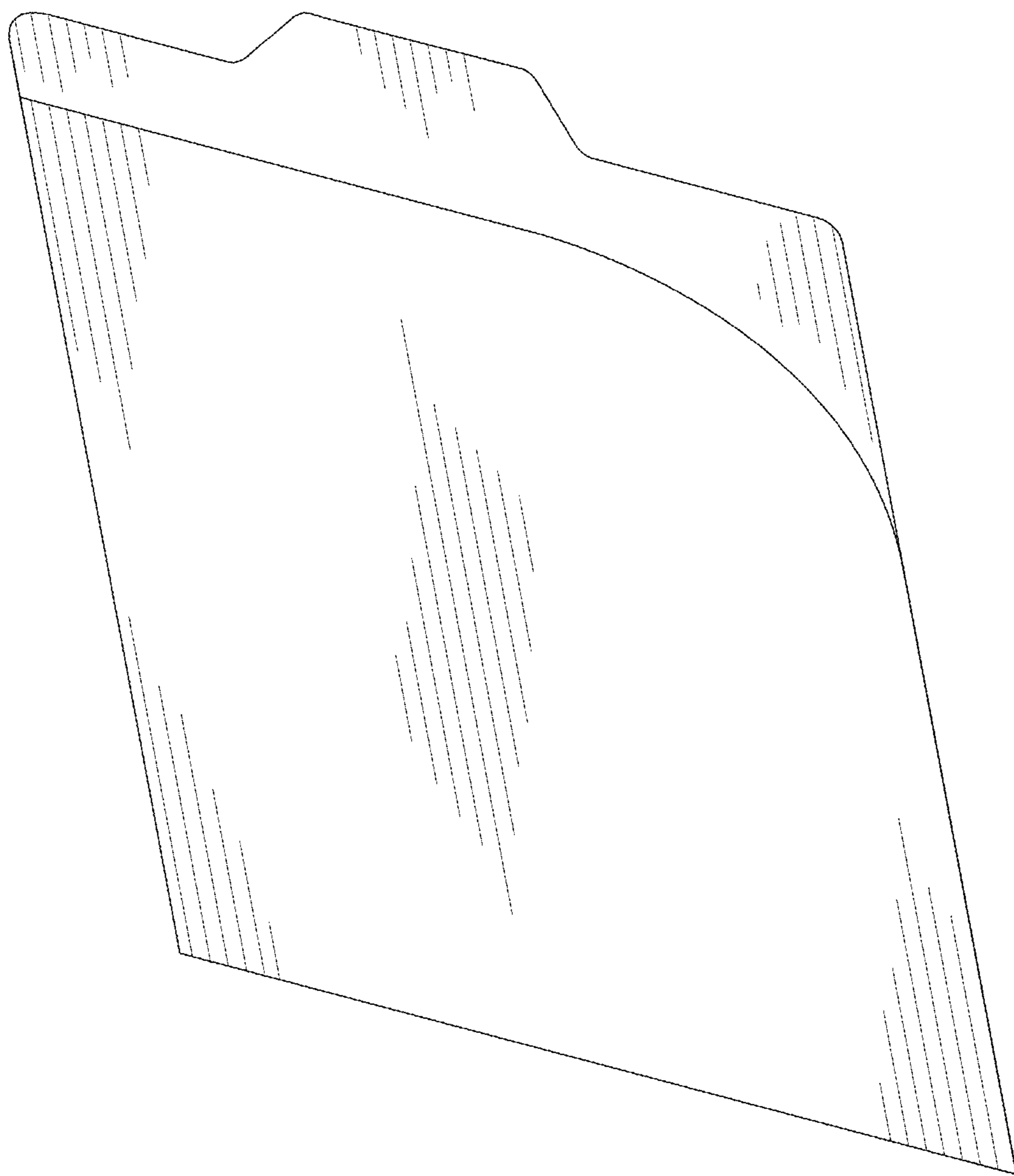


FIG. 9

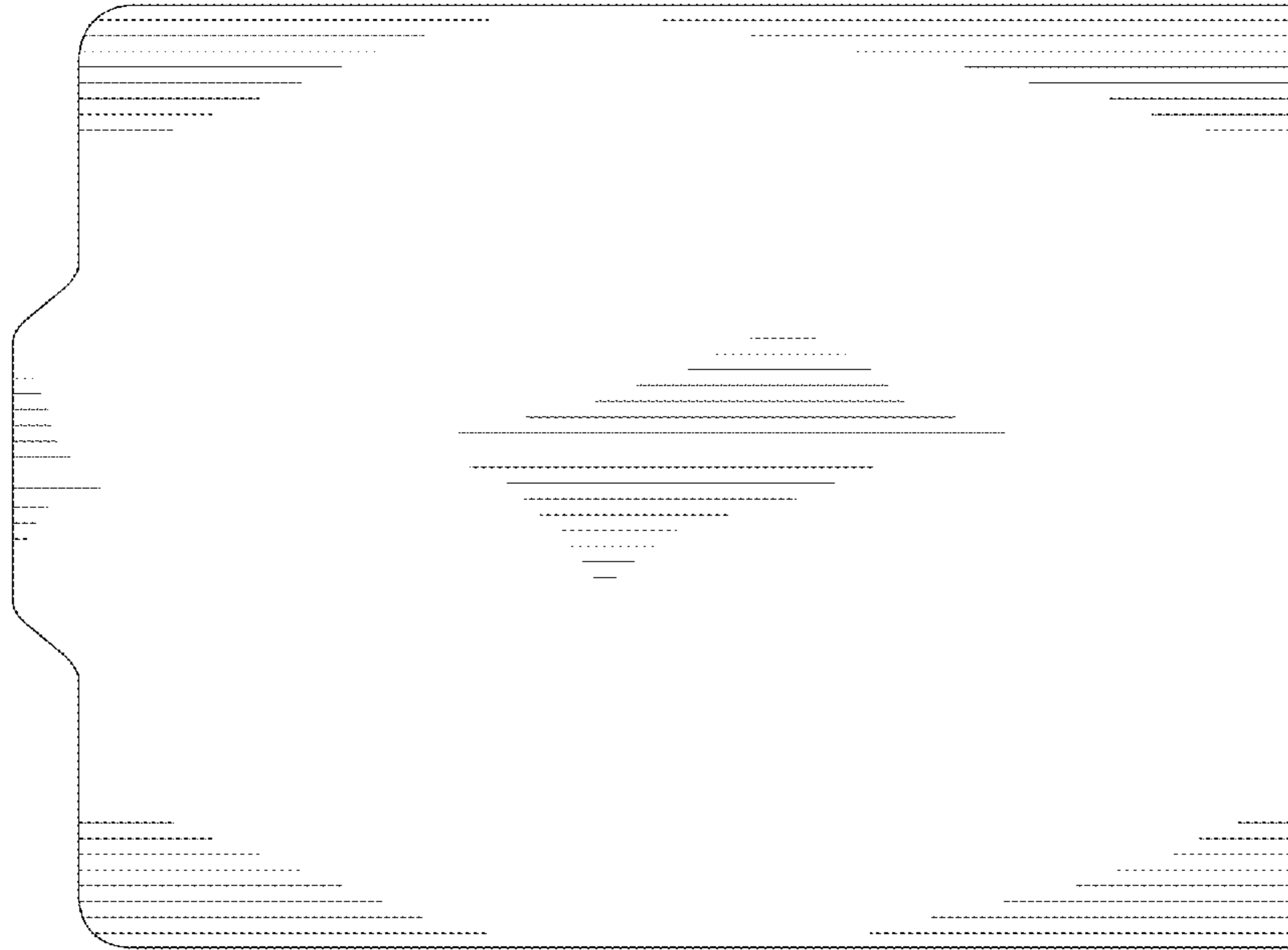


FIG. 11

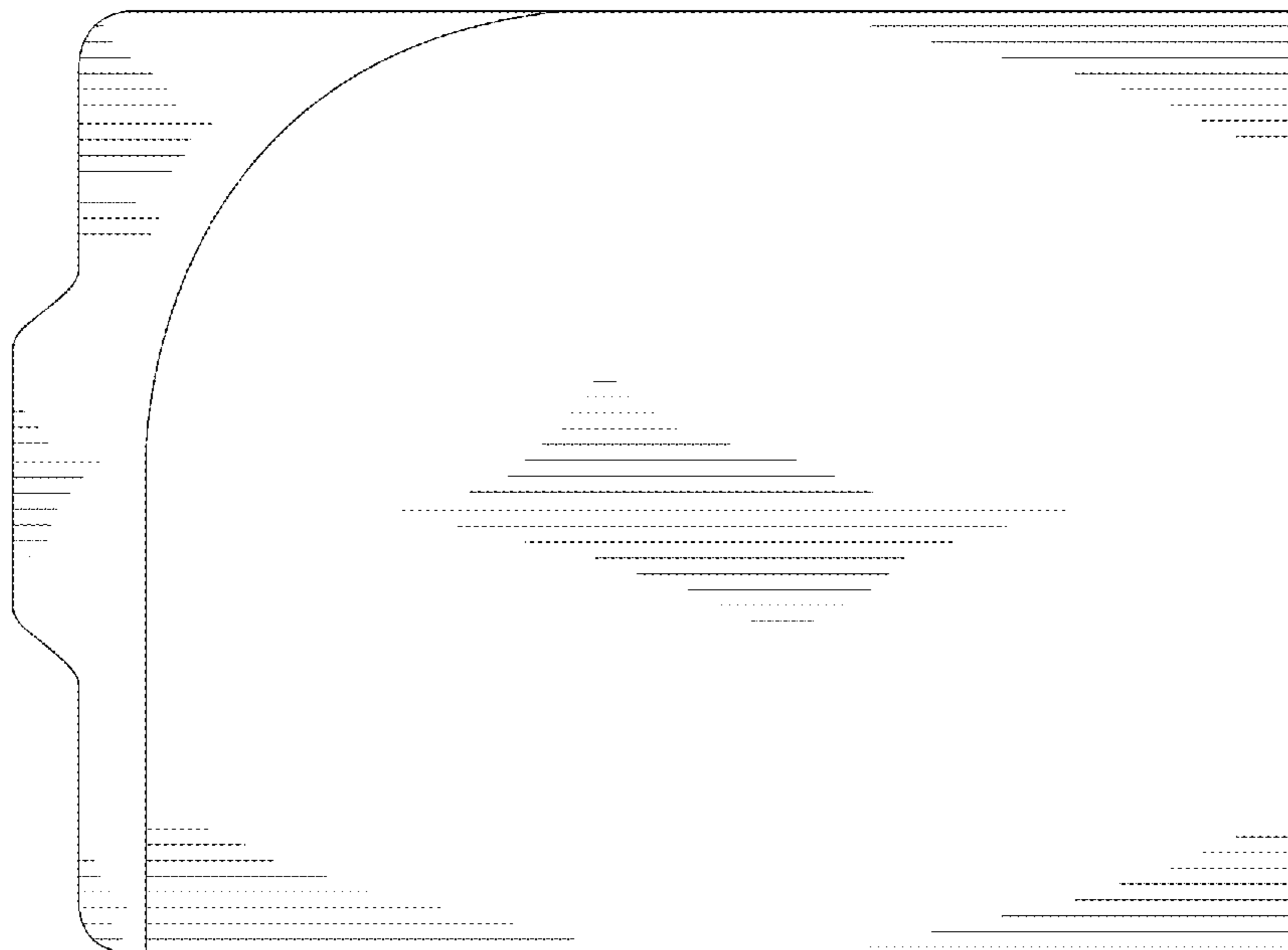


FIG. 10





FIG. 12

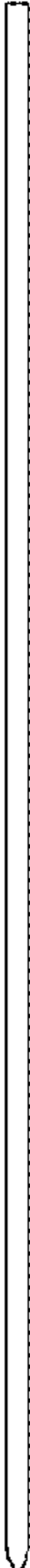


FIG. 13



FIG. 14



FIG. 15

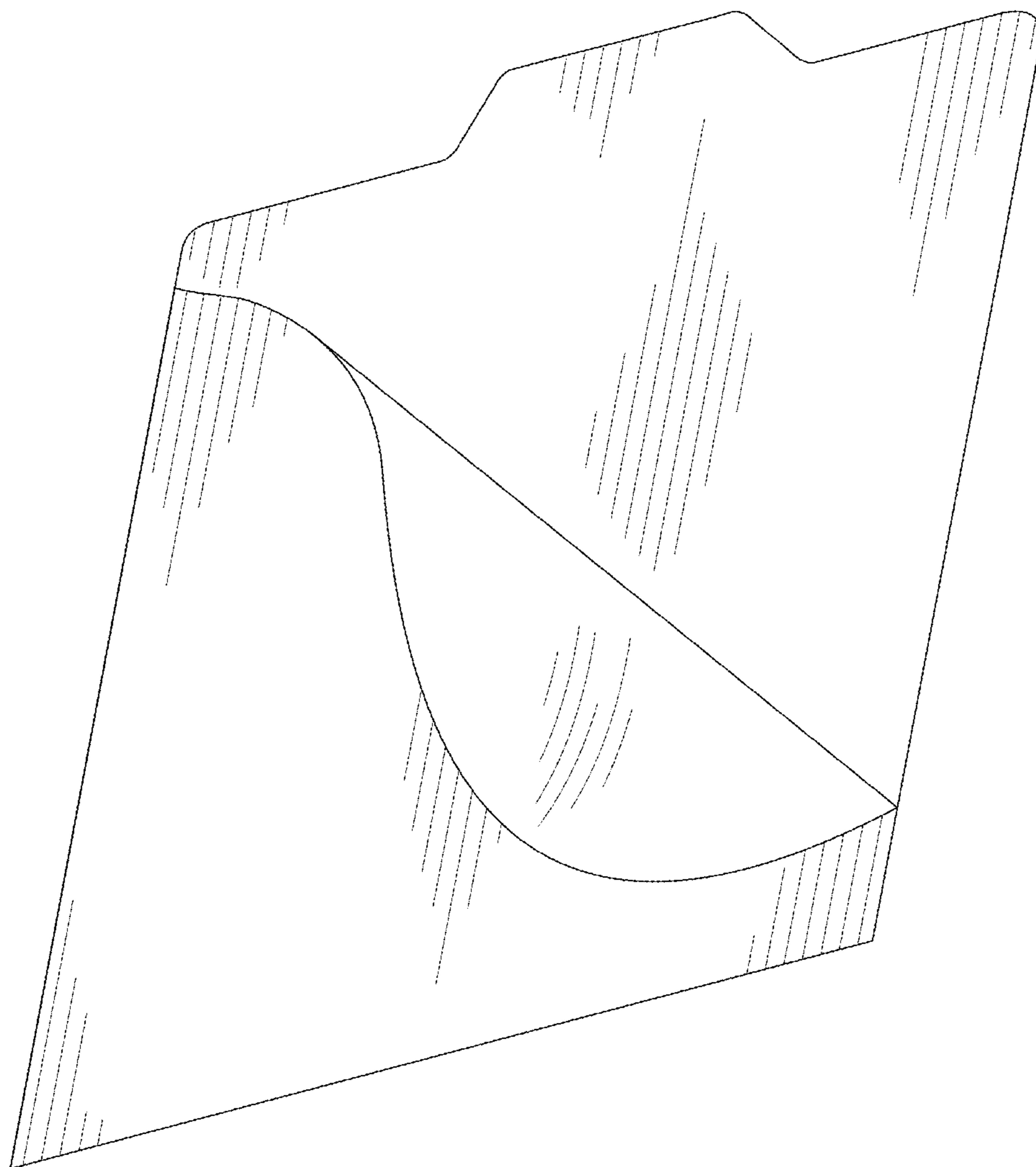


FIG. 16

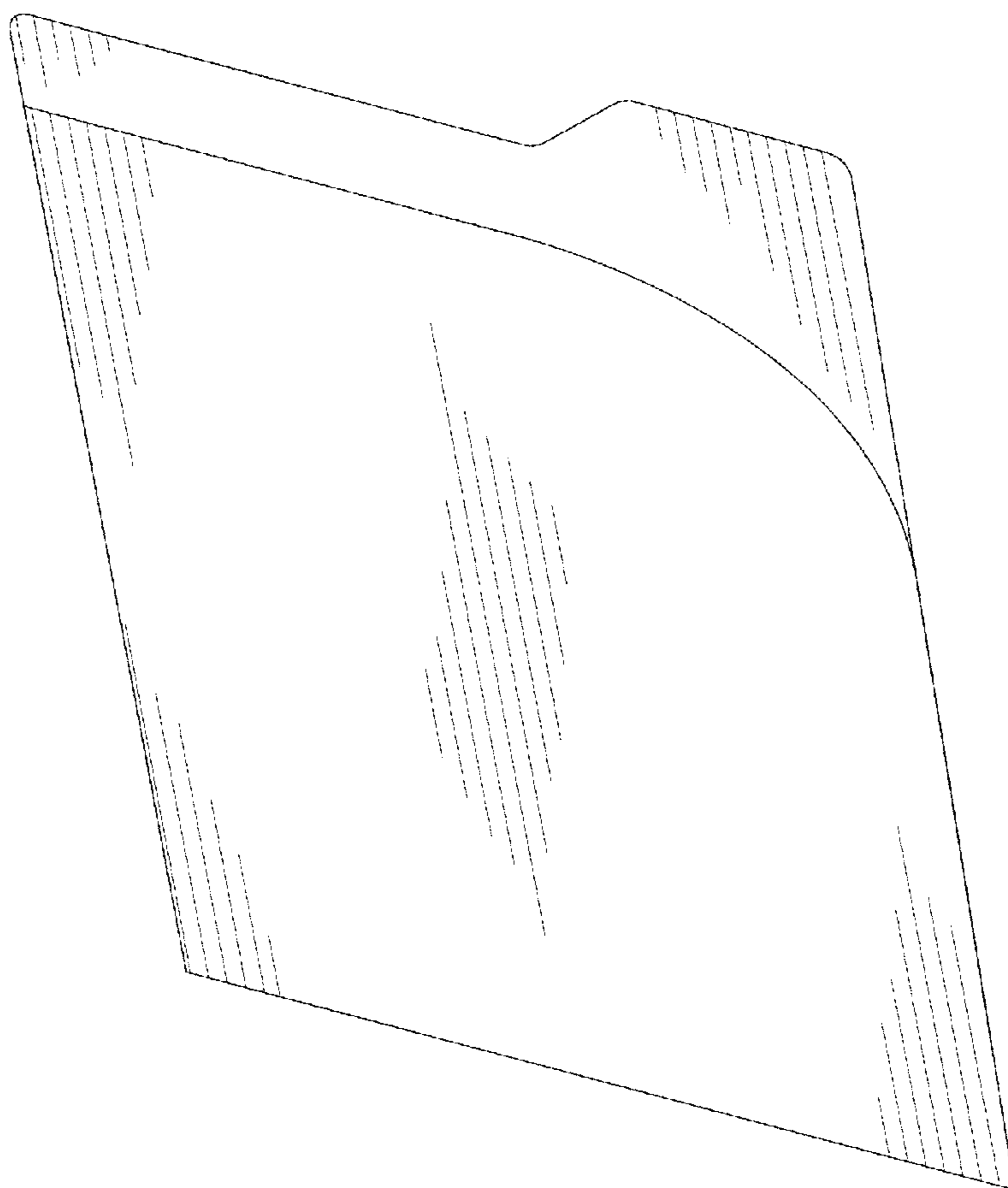


FIG. 17

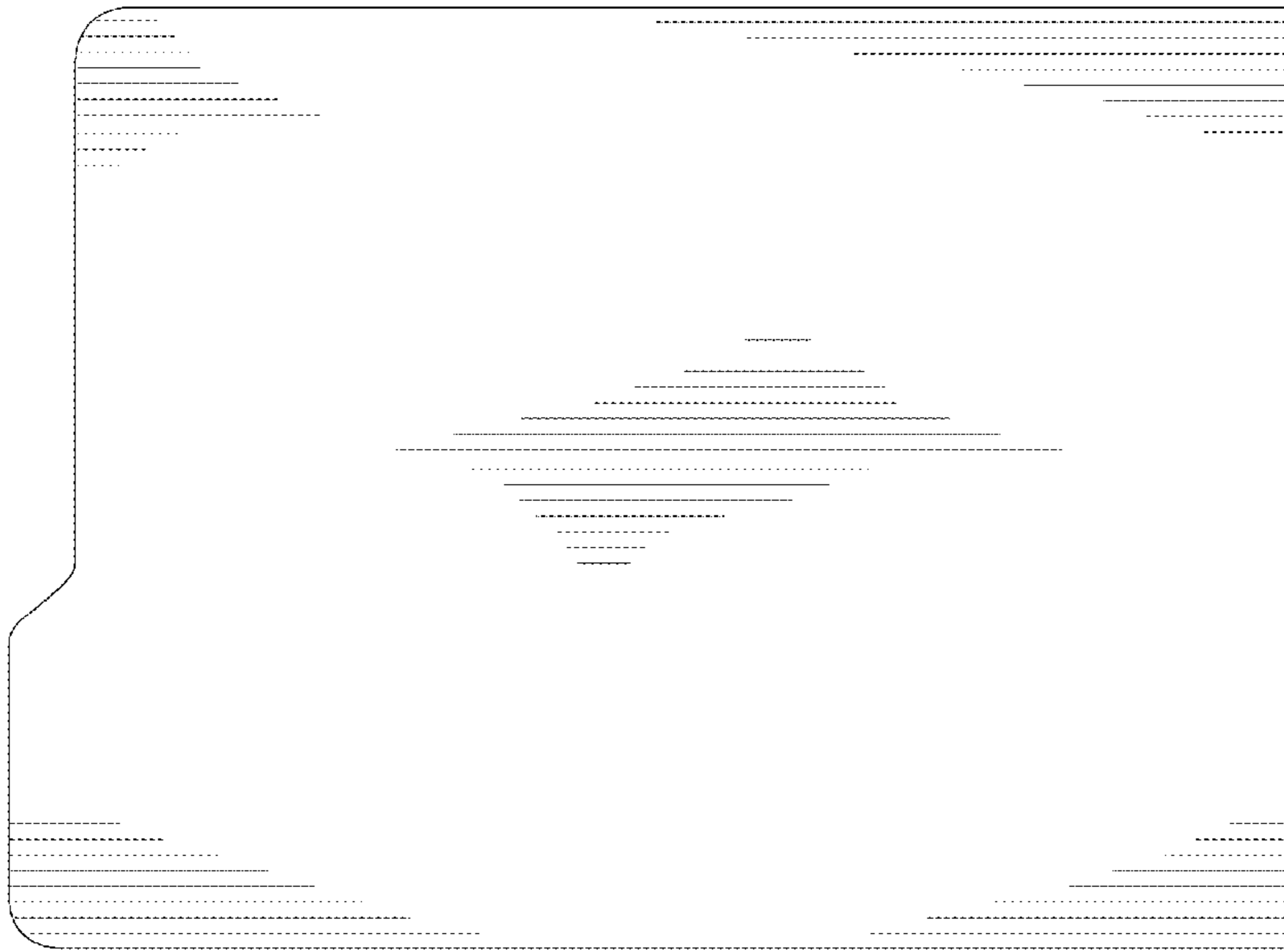


FIG. 19

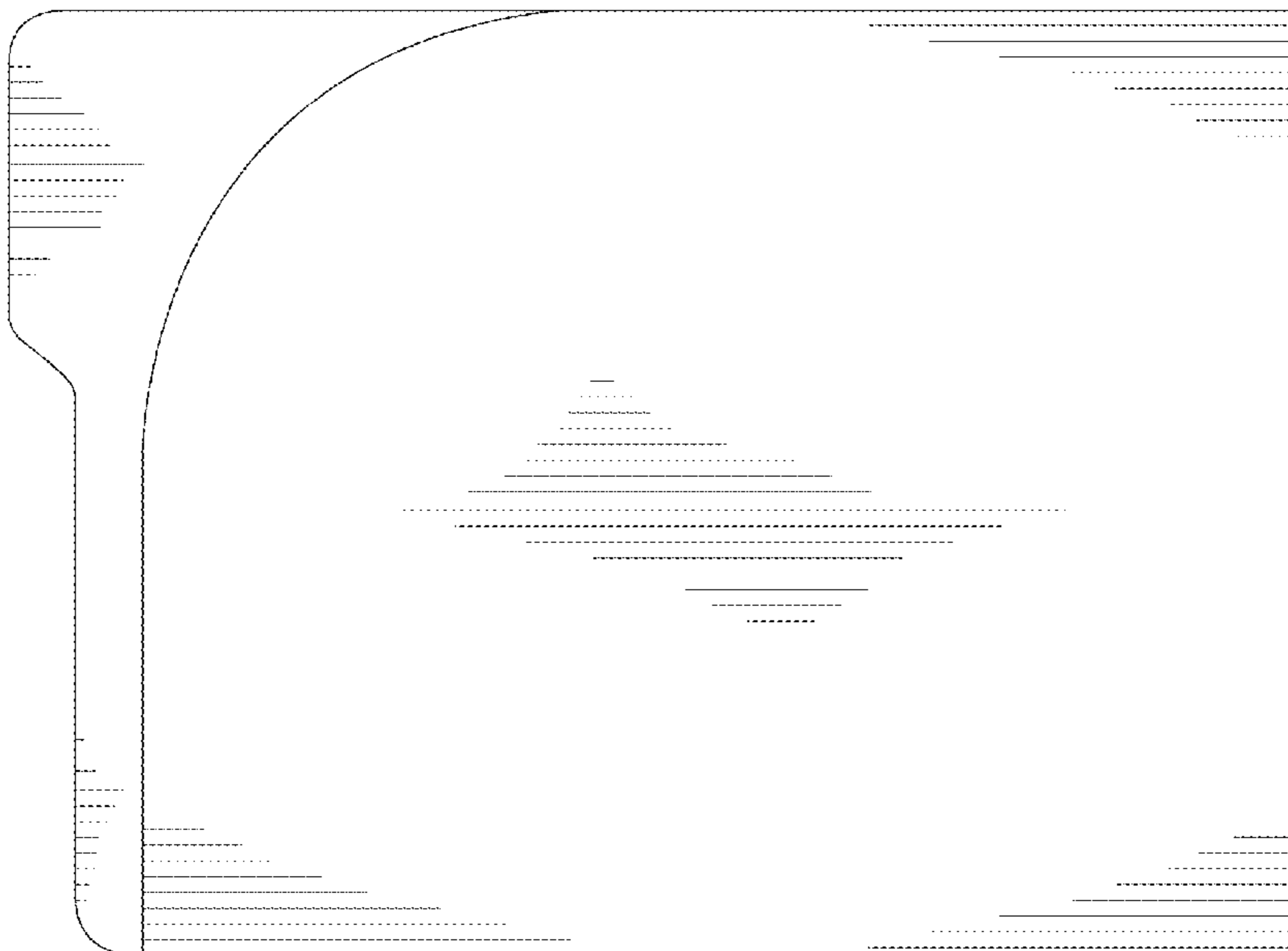


FIG. 18



FIG. 20

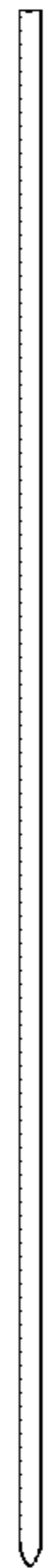


FIG. 21

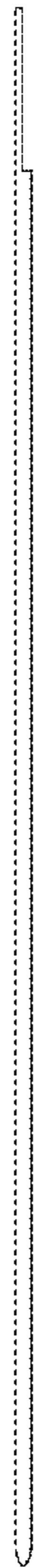


FIG. 22



FIG. 23

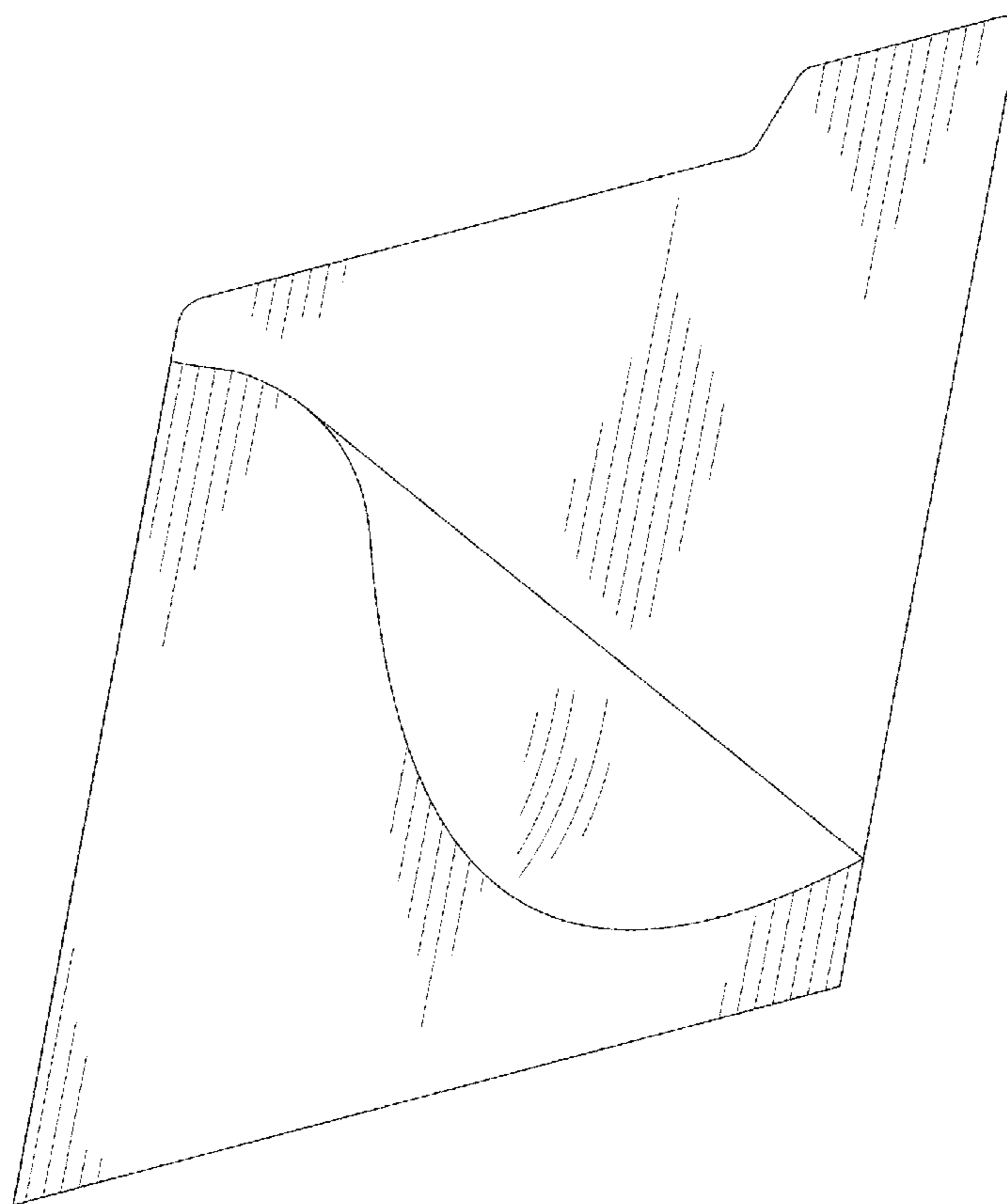


FIG. 24

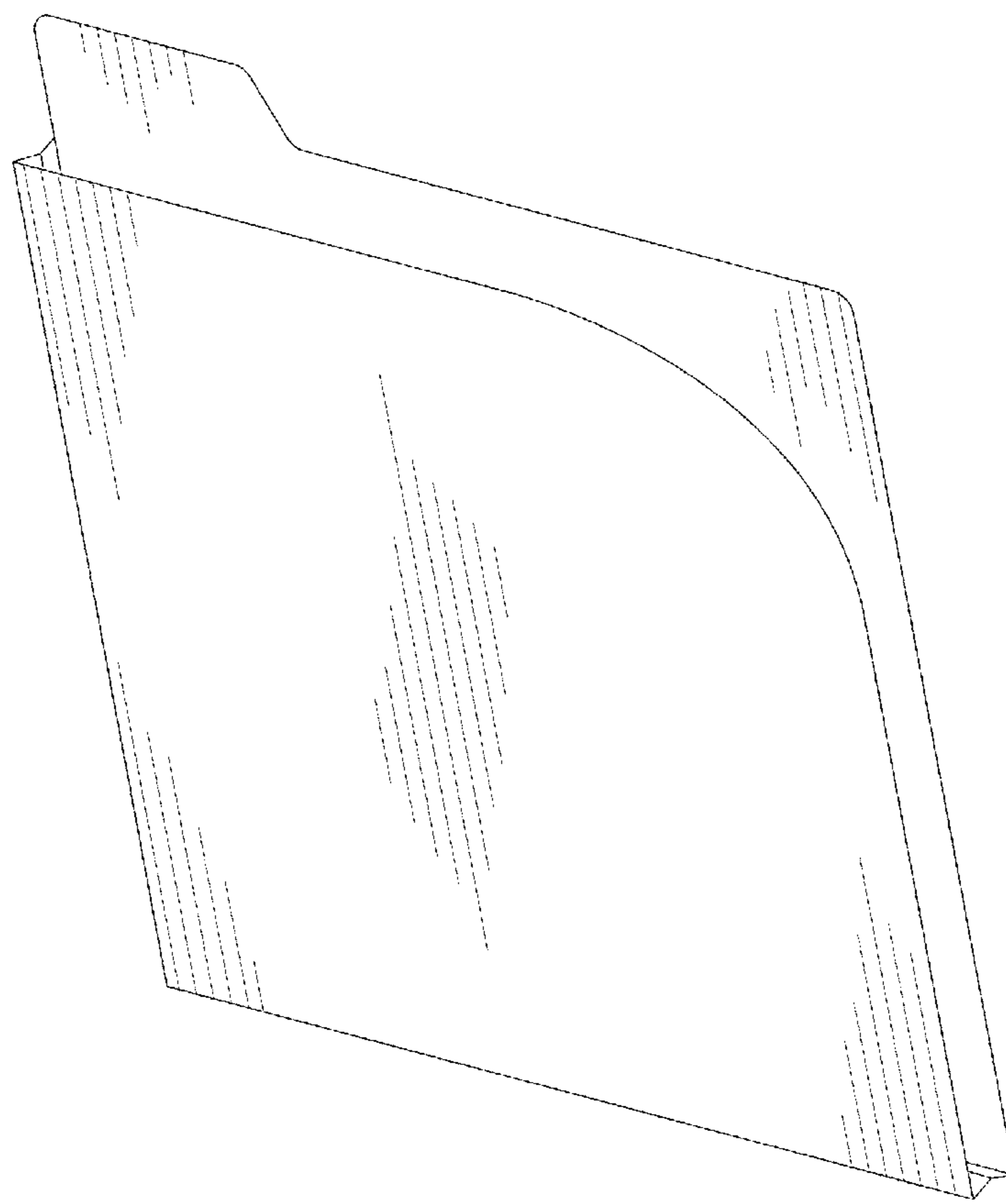


FIG. 25

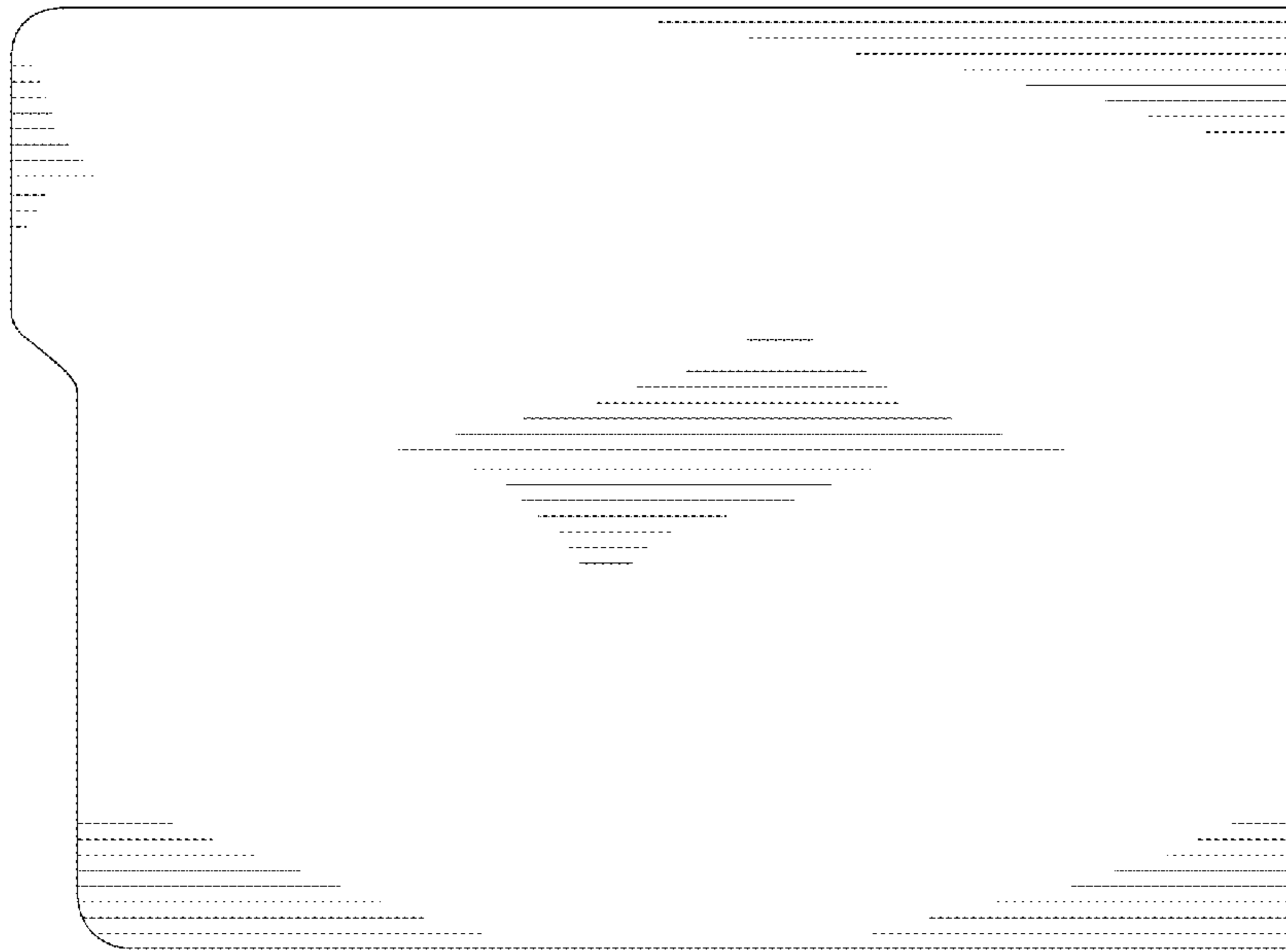


FIG. 27

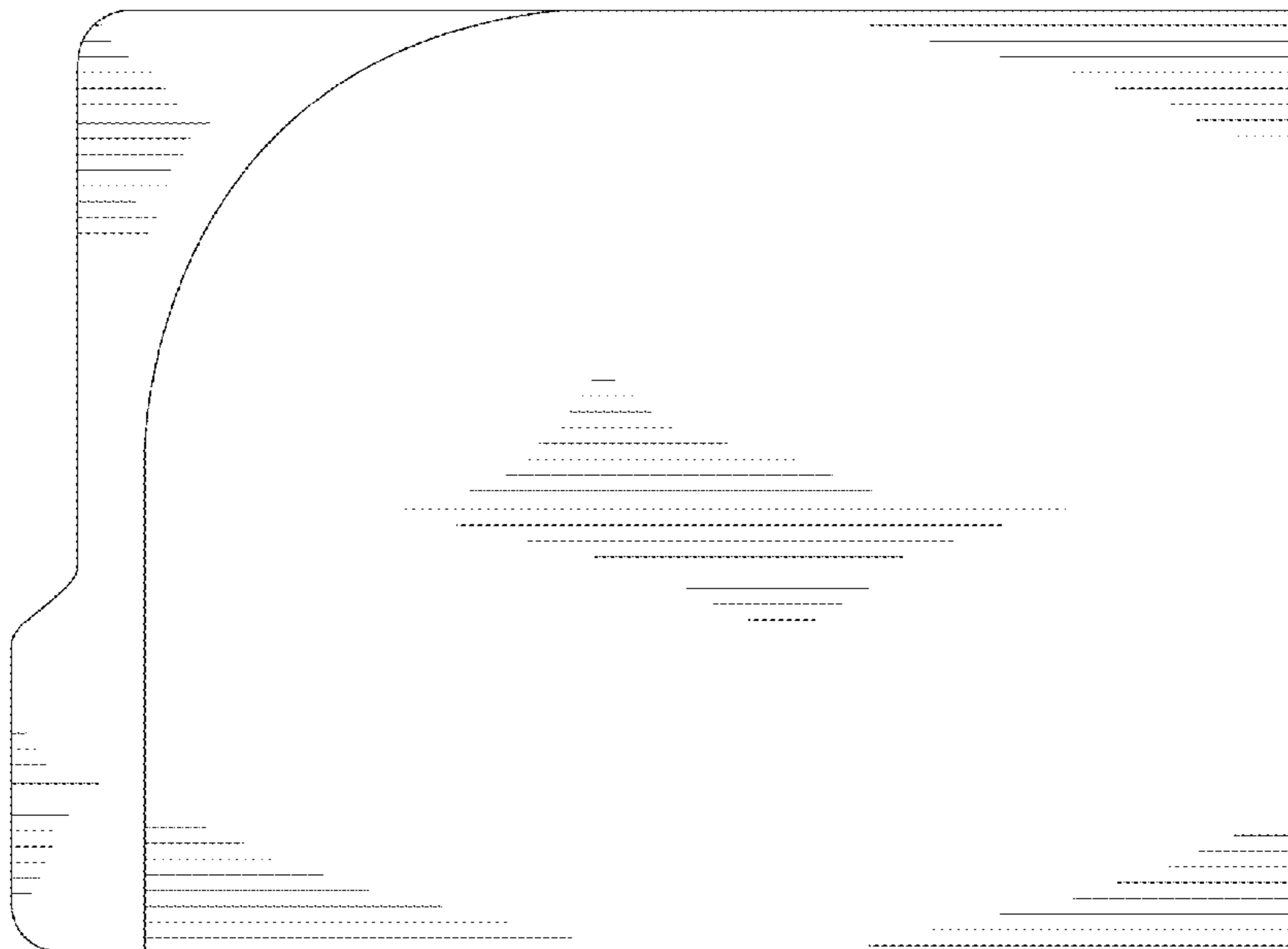


FIG. 26



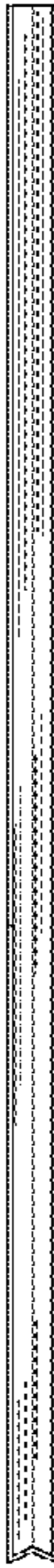


FIG. 28

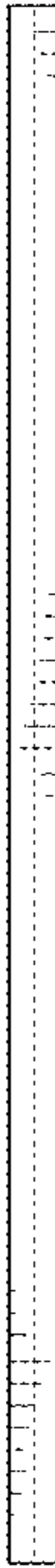


FIG. 29



FIG. 30



FIG. 31

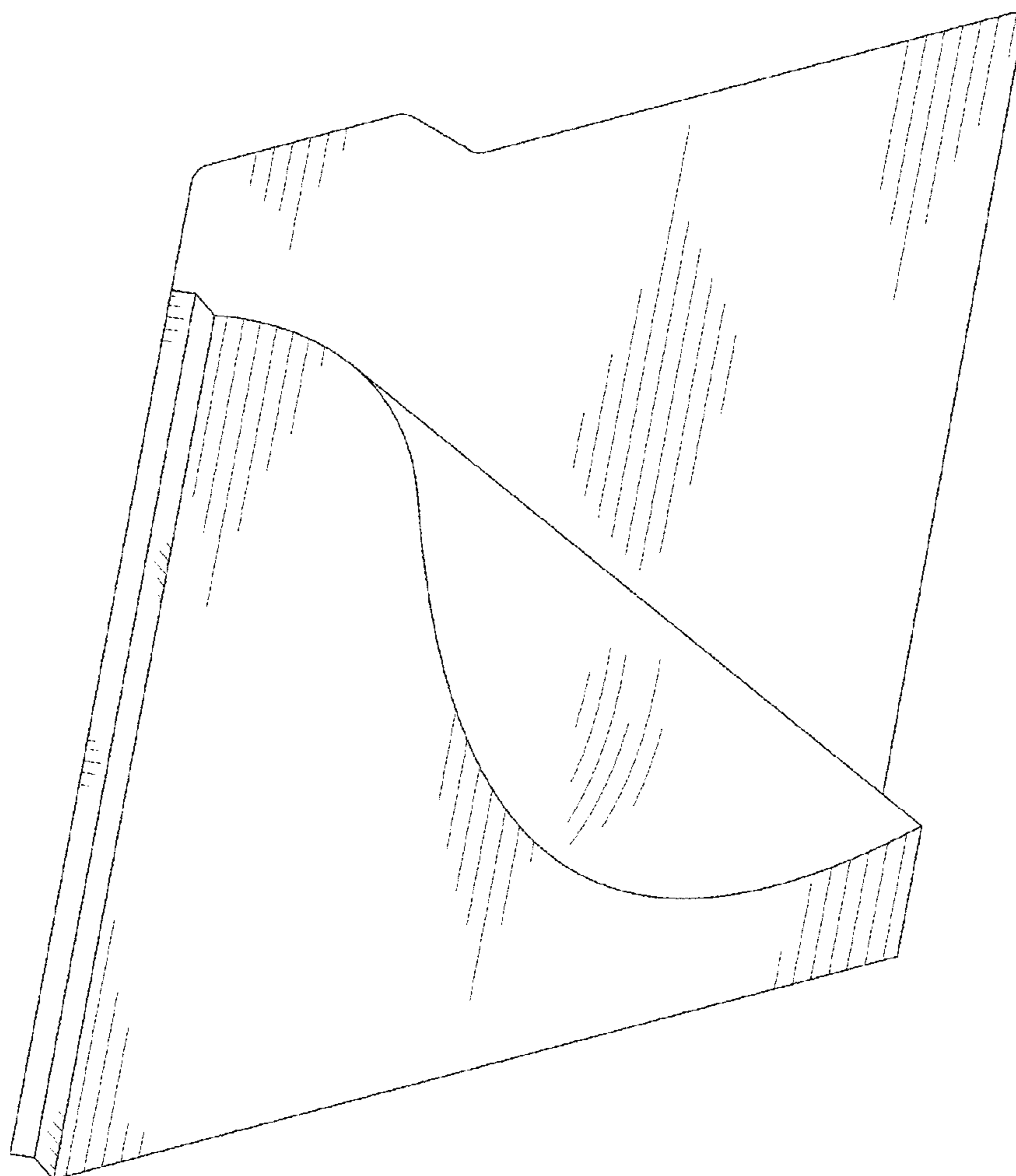


FIG. 32

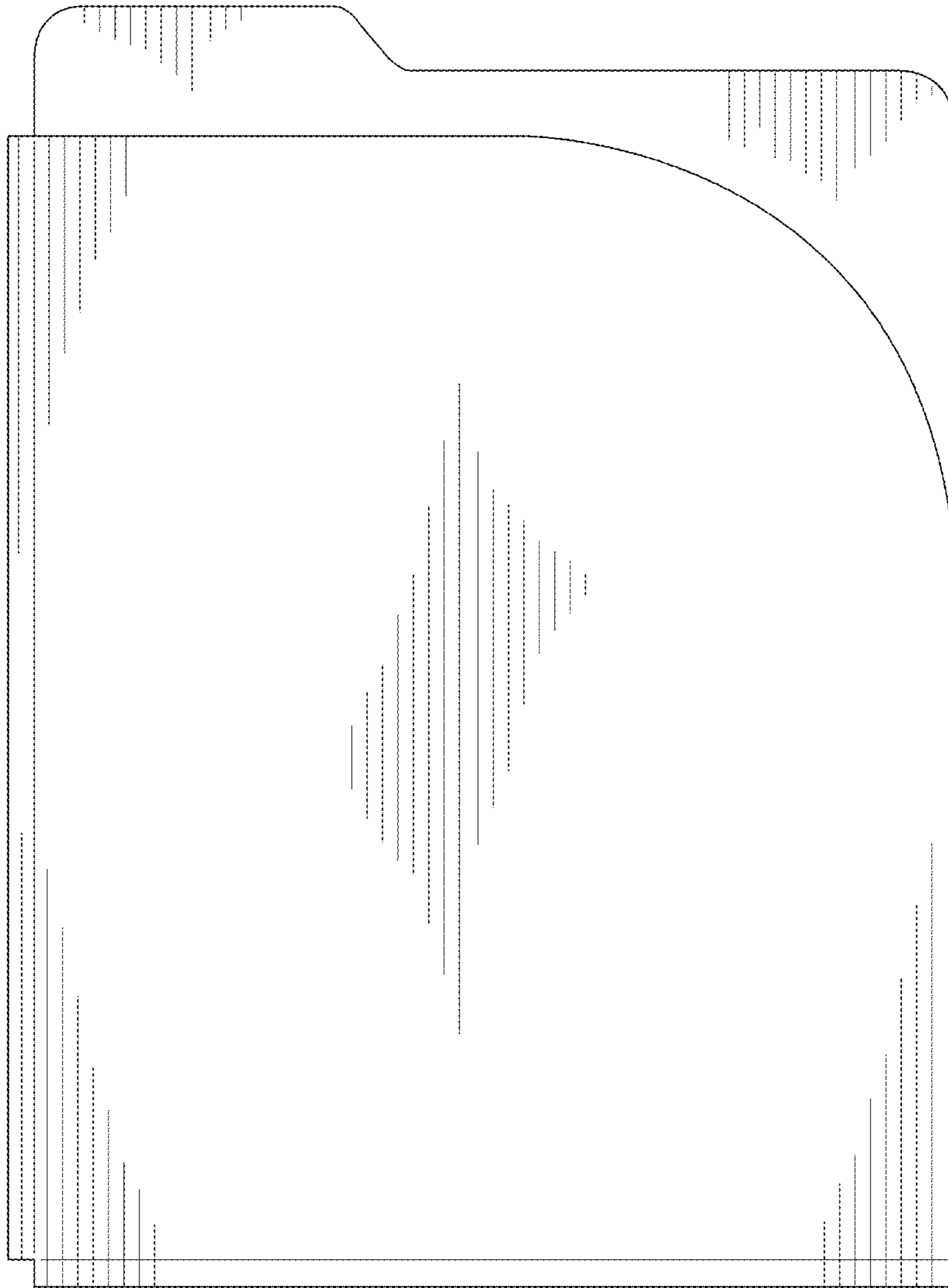


FIG. 33

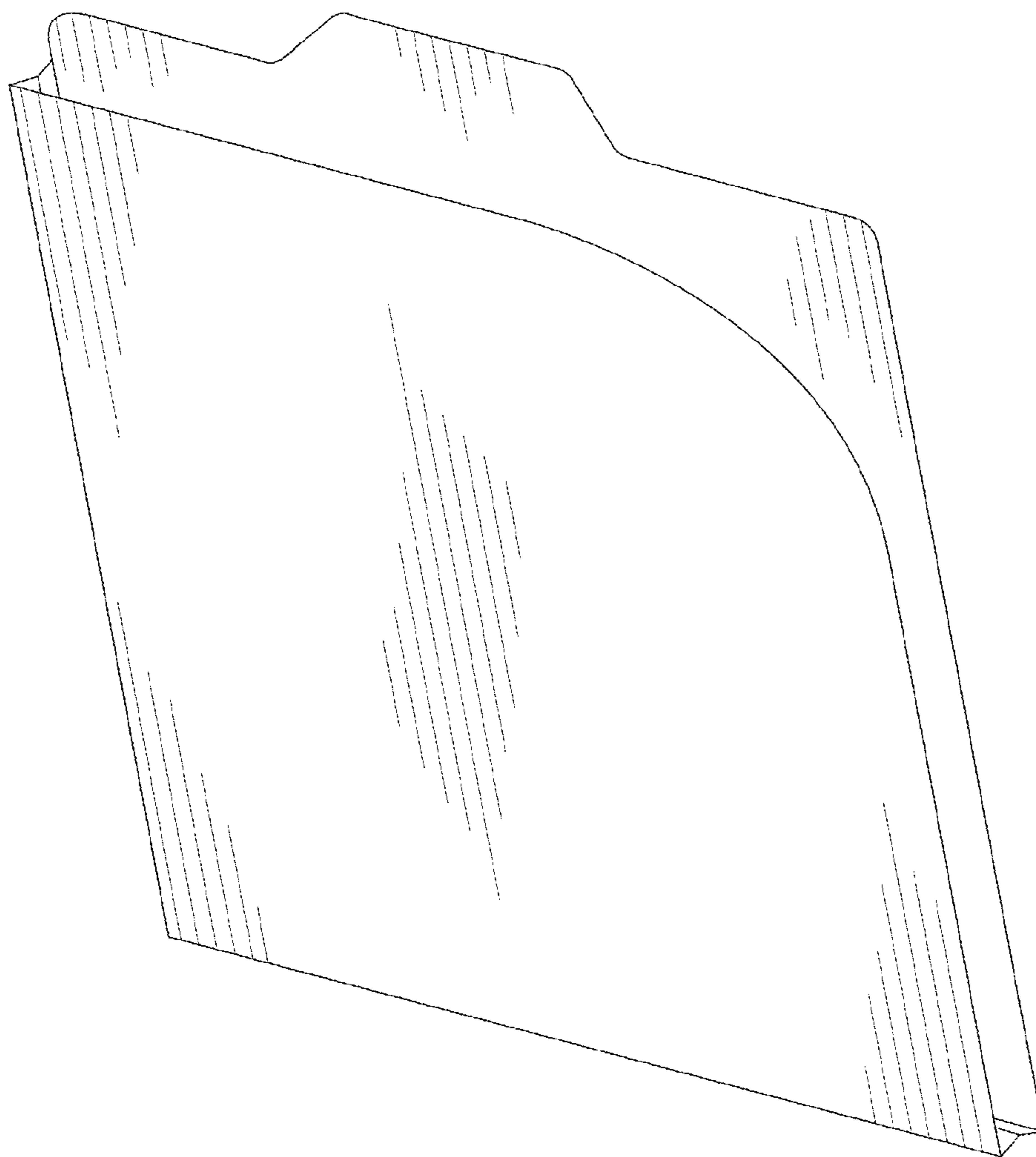


FIG. 34

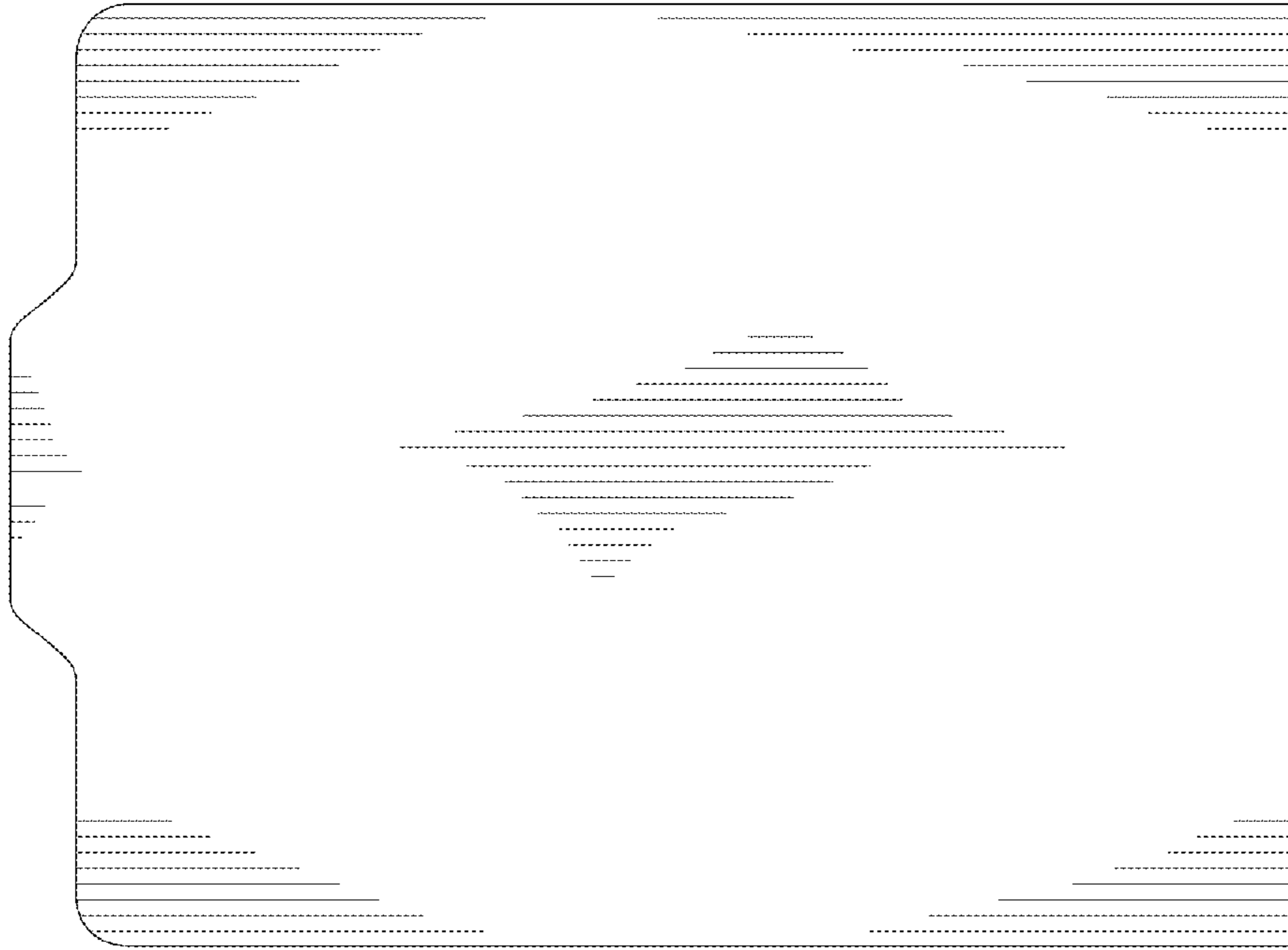


FIG. 35

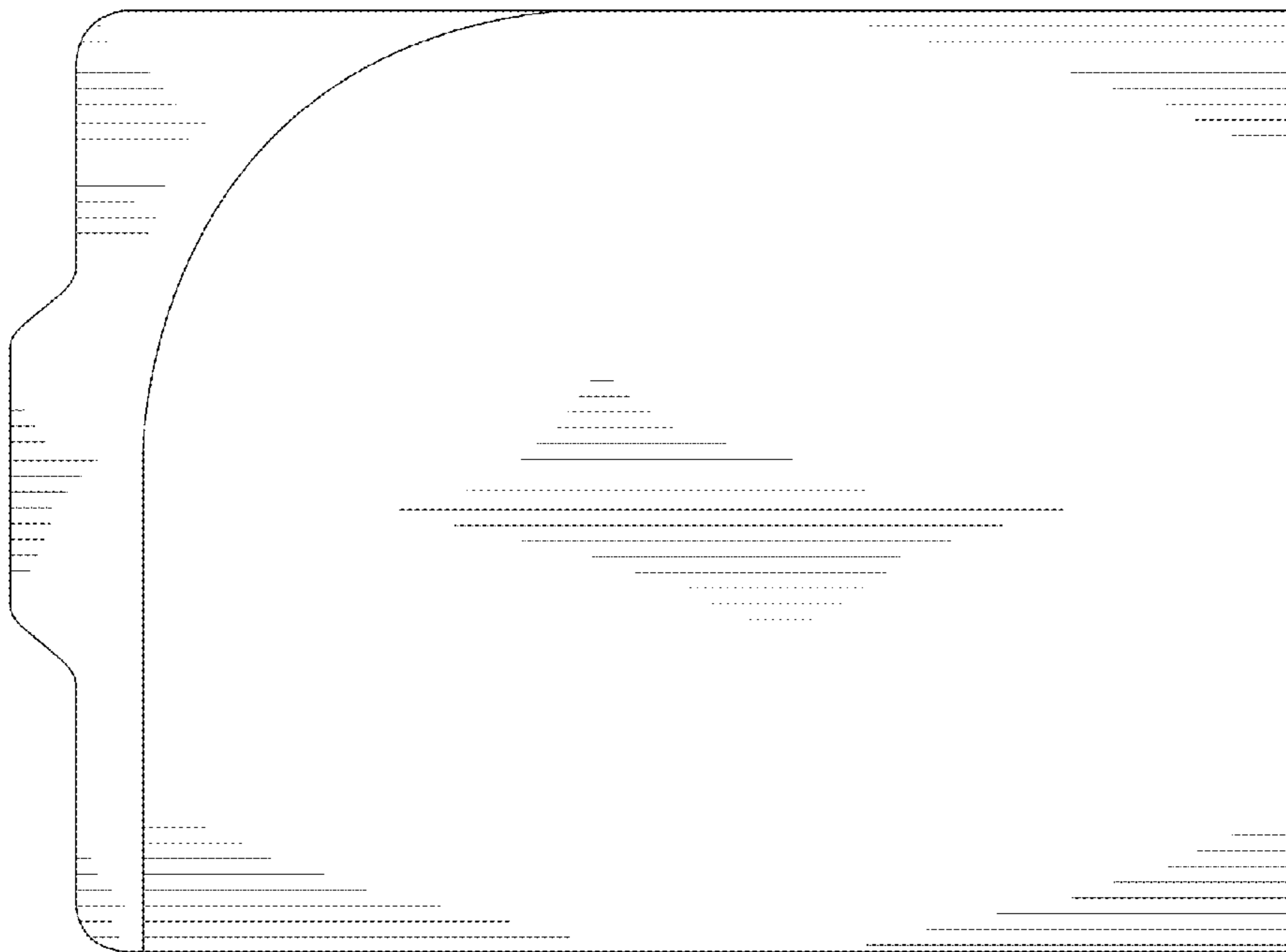


FIG. 36



FIG. 37

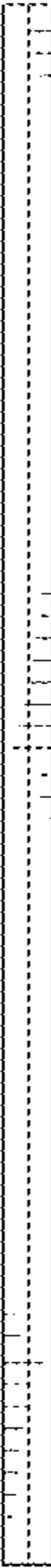


FIG. 38

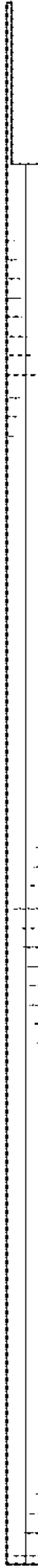


FIG. 39



FIG. 40

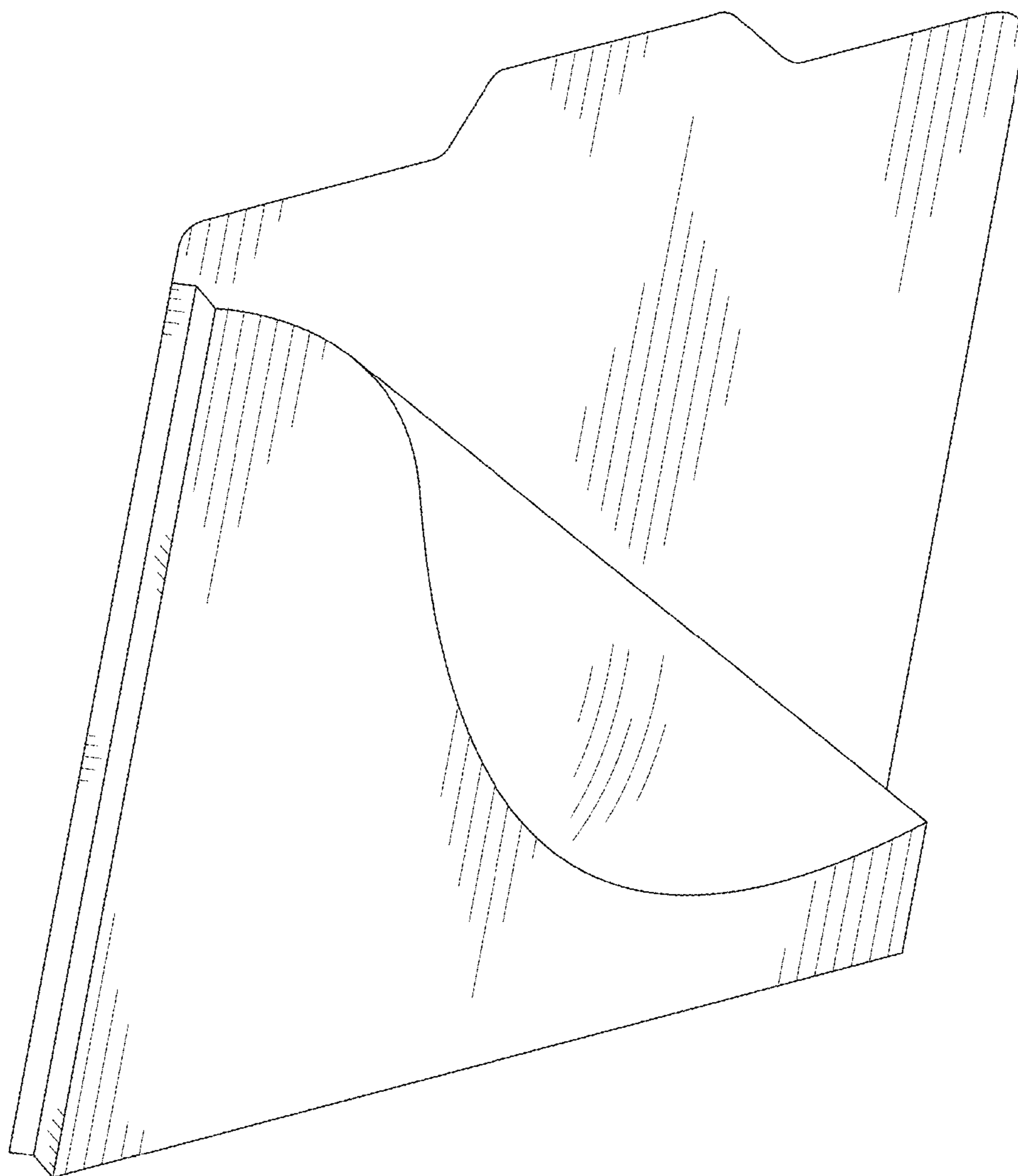


FIG. 41

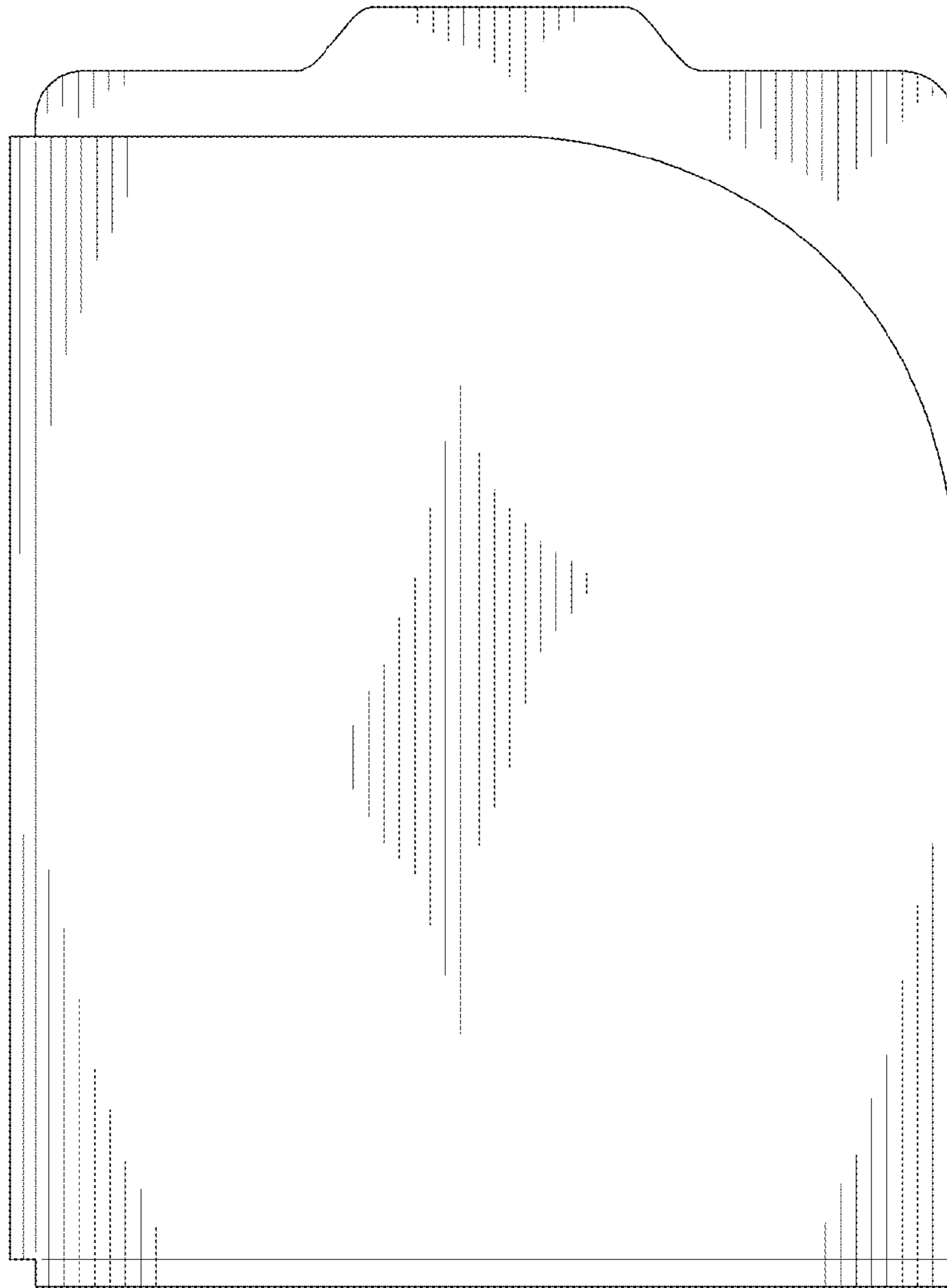


FIG. 42



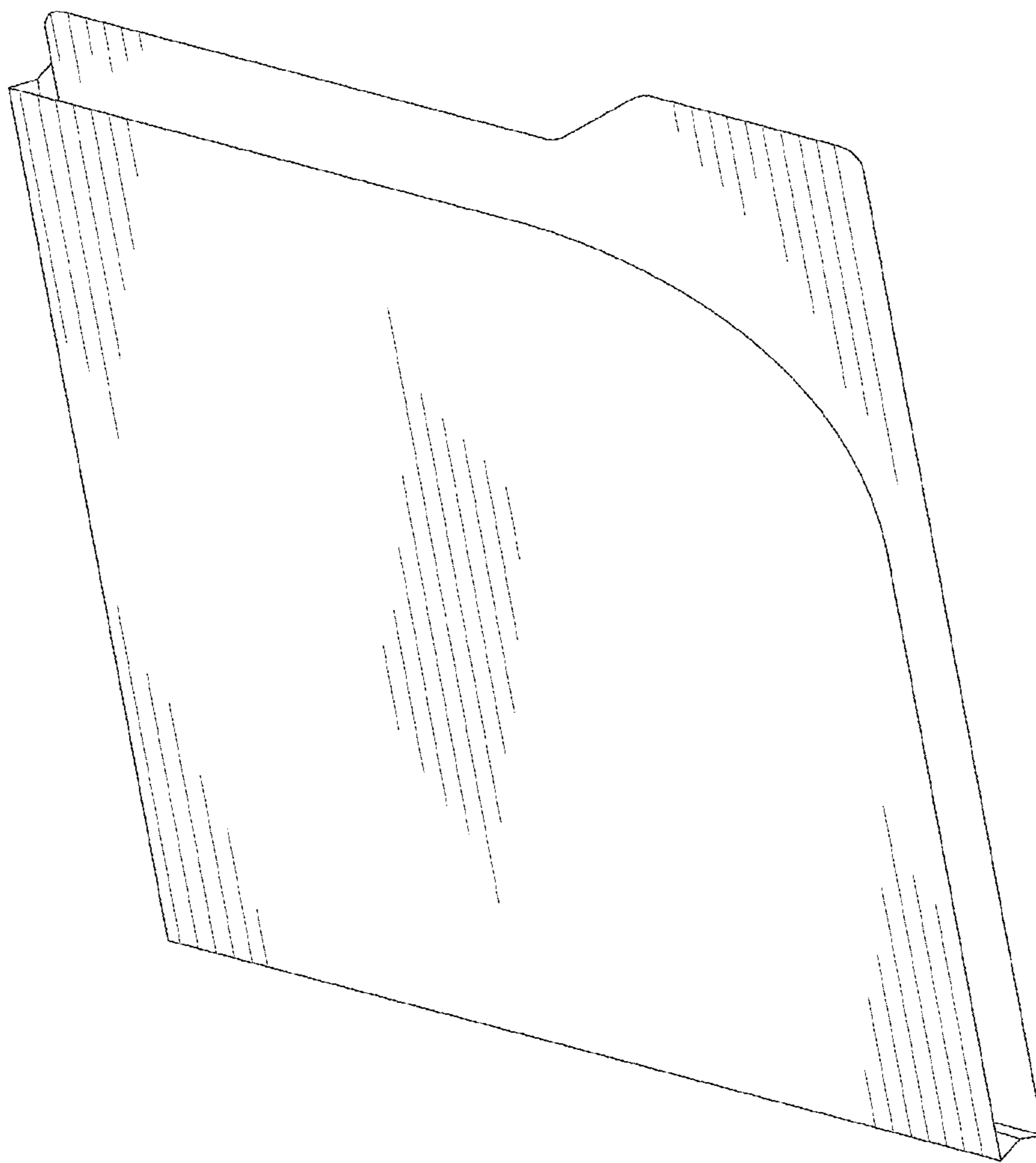


FIG. 43

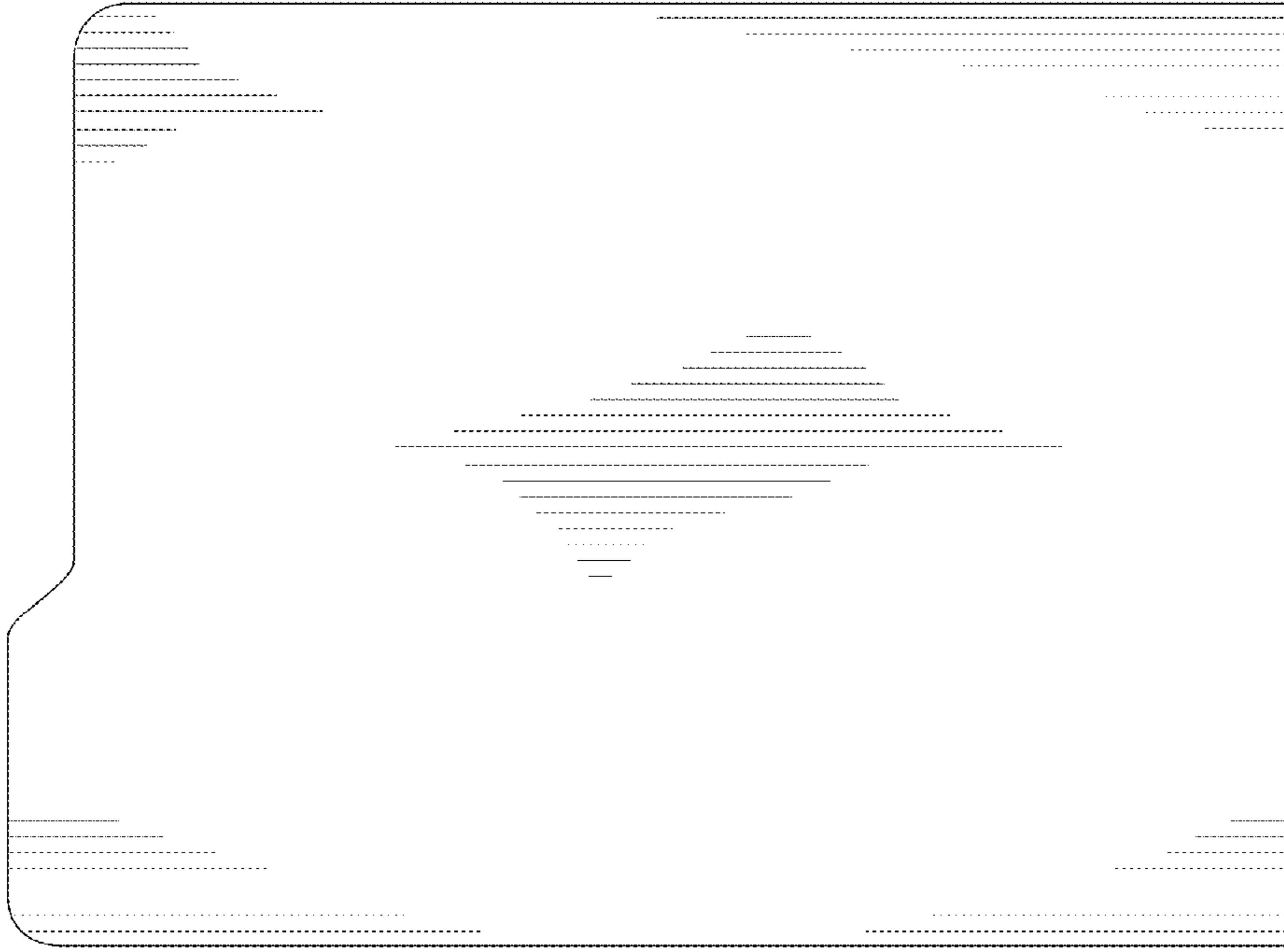


FIG. 45

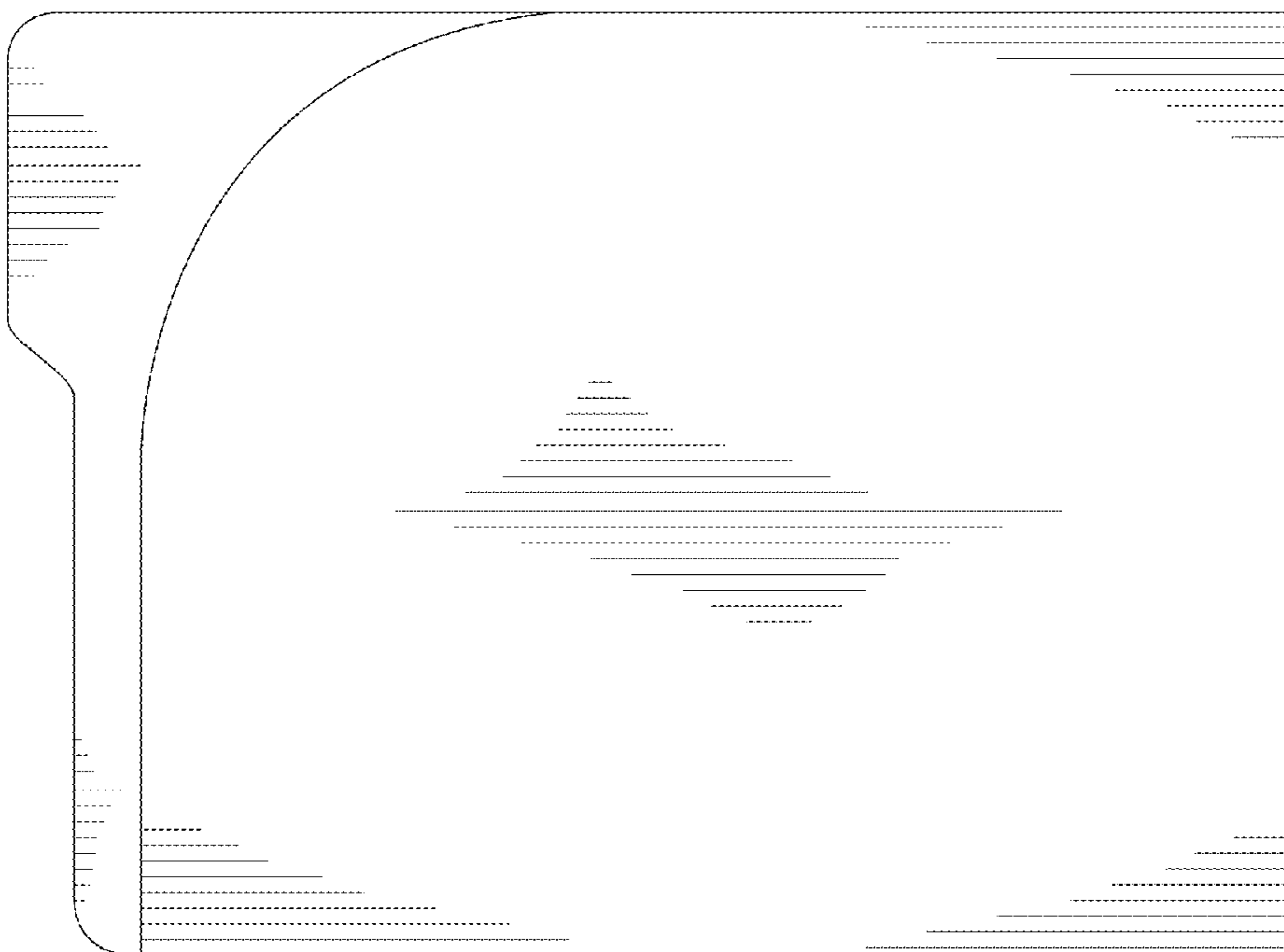


FIG. 44



FIG. 46

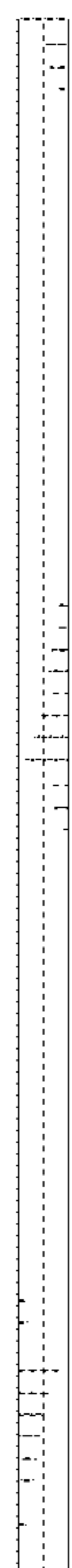


FIG. 47

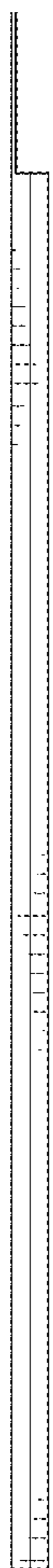


FIG. 48



FIG. 49

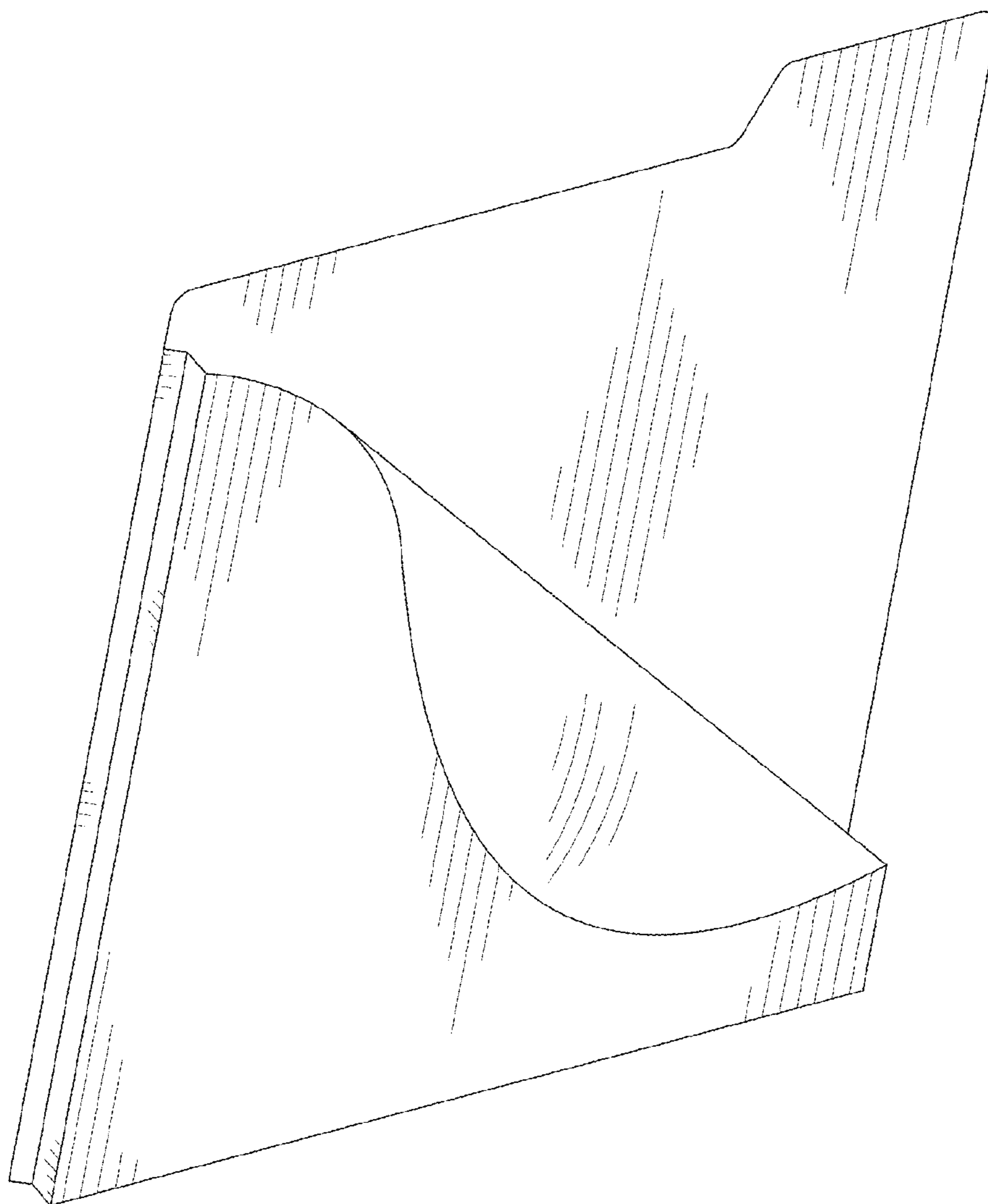


FIG. 50

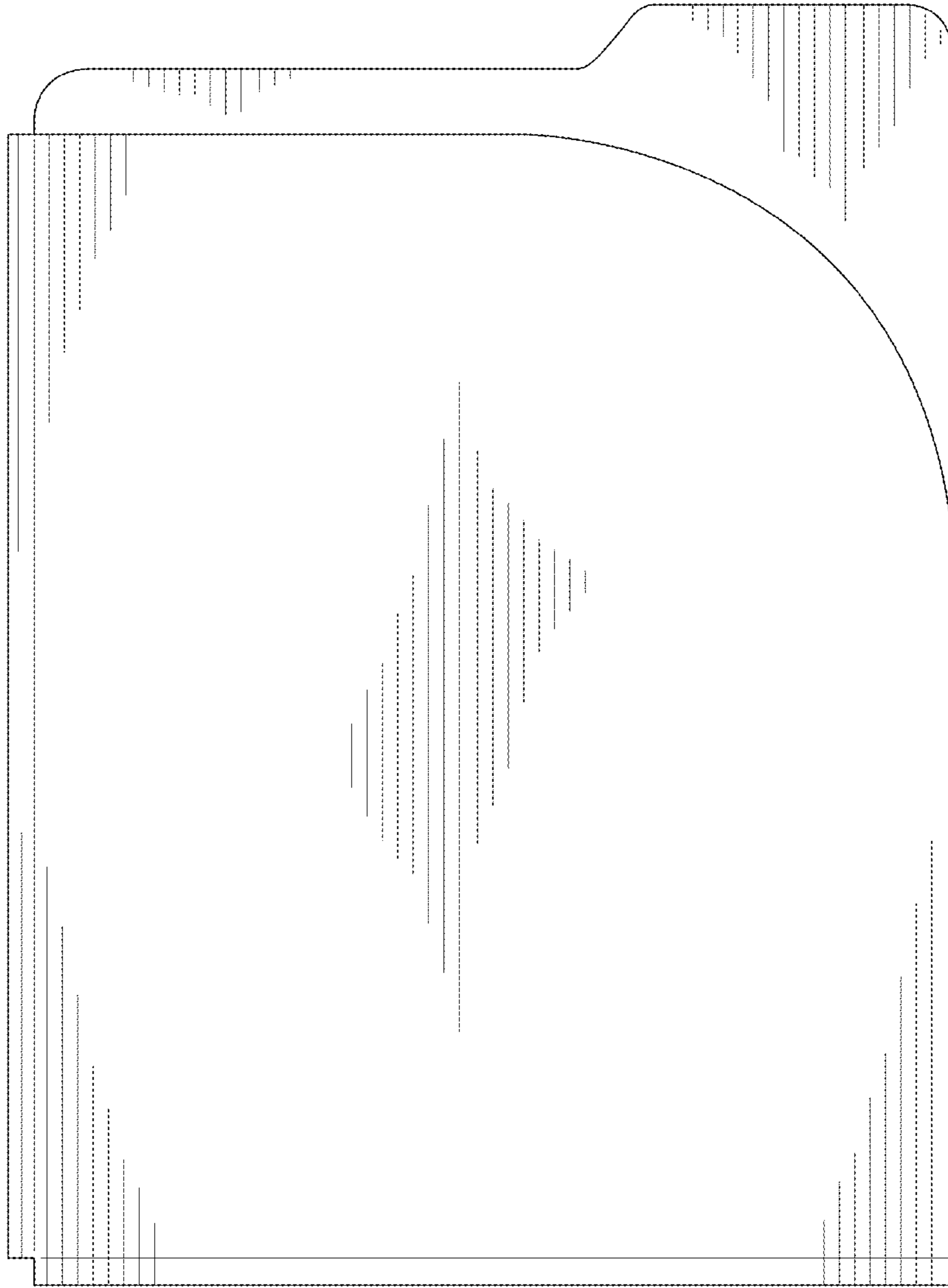


FIG. 51