



US00D712463S

(12) **United States Design Patent**
Kubota et al.

(10) **Patent No.:** **US D712,463 S**

(45) **Date of Patent:** **** Sep. 2, 2014**

(54) **POWDER CONTAINER**

(56) **References Cited**

(71) Applicants: **Tomohiro Kubota**, Ohta-ku (JP); **Sho Tsuritani**, Ohta-ku (JP); **Yoshiyuki Shimizu**, Ohta-ku (JP); **Emi Kita**, Ohta-ku (JP); **Manabu Hamada**, Ohta-ku (JP); **Masato Tsuji**, Ohta-ku (JP); **Naoki Nakatake**, Ohta-ku (JP)

U.S. PATENT DOCUMENTS

D431,260	S	*	9/2000	Kohno et al.	D18/43
D442,214	S	*	5/2001	Hayashi	D18/43
D442,624	S	*	5/2001	Maeshima	D18/43
D451,125	S	*	11/2001	Sugiyama et al.	D18/40
D459,388	S	*	6/2002	Irie et al.	D18/43
D548,276	S	*	8/2007	Koizumi et al.	D18/43
D580,968	S	*	11/2008	Tatsumi et al.	D18/43
D590,012	S	*	4/2009	Tatsumi et al.	D18/43
2008/0279586	A1	*	11/2008	Tatsumi et al.	399/119

(72) Inventors: **Tomohiro Kubota**, Ohta-ku (JP); **Sho Tsuritani**, Ohta-ku (JP); **Yoshiyuki Shimizu**, Ohta-ku (JP); **Emi Kita**, Ohta-ku (JP); **Manabu Hamada**, Ohta-ku (JP); **Masato Tsuji**, Ohta-ku (JP); **Naoki Nakatake**, Ohta-ku (JP)

OTHER PUBLICATIONS

U.S. Appl. No. 13/907,083, filed May 31, 2013.
U.S. Appl. No. 13/908,434, filed Jun. 3, 2013.

* cited by examiner

(73) Assignee: **Ricoh Company, Ltd.**, Tokyo (JP)

Primary Examiner — Elizabeth Albert

(**) Term: **14 Years**

(74) *Attorney, Agent, or Firm* — Oblon, Spivak, McClelland, Maier & Neustadt, L.L.P.

(21) Appl. No.: **29/445,653**

(57) **CLAIM**

The ornamental design for a powder container, as shown and described.

(22) Filed: **Feb. 14, 2013**

DESCRIPTION

(30) **Foreign Application Priority Data**

Nov. 20, 2012 (JP) 2012-028329
Dec. 4, 2012 (JP) 2012-029673

FIG. 1 is a right side elevational view of a powder container; FIG. 2 is a bottom plan view thereof; FIG. 3 is a front, top, and right side perspective view thereof; FIG. 4 is a front, bottom, and right side perspective view thereof; FIG. 5 is an enlarged bottom plan view thereof, along line 5-5 from FIG. 2; FIG. 6 is an enlarged front, top, and right side perspective view thereof, along line 6-6 from FIG. 3; and, FIG. 7 is an enlarged front, bottom, and right side perspective view thereof, along line 7-7 from FIG. 4. The broken lines in the drawings depict environmental subject matter only and form no part of the claimed design.

(51) **LOC (10) Cl.** **16-03**

(52) **U.S. Cl.**
USPC **D18/43**

(58) **Field of Classification Search**
USPC D14/471; D18/12, 36, 40, 43, 44, 56;
347/197, 222; 399/24-28, 107-112,
399/119, 121, 122, 222-224; 222/DIG. 1

See application file for complete search history.

1 Claim, 4 Drawing Sheets

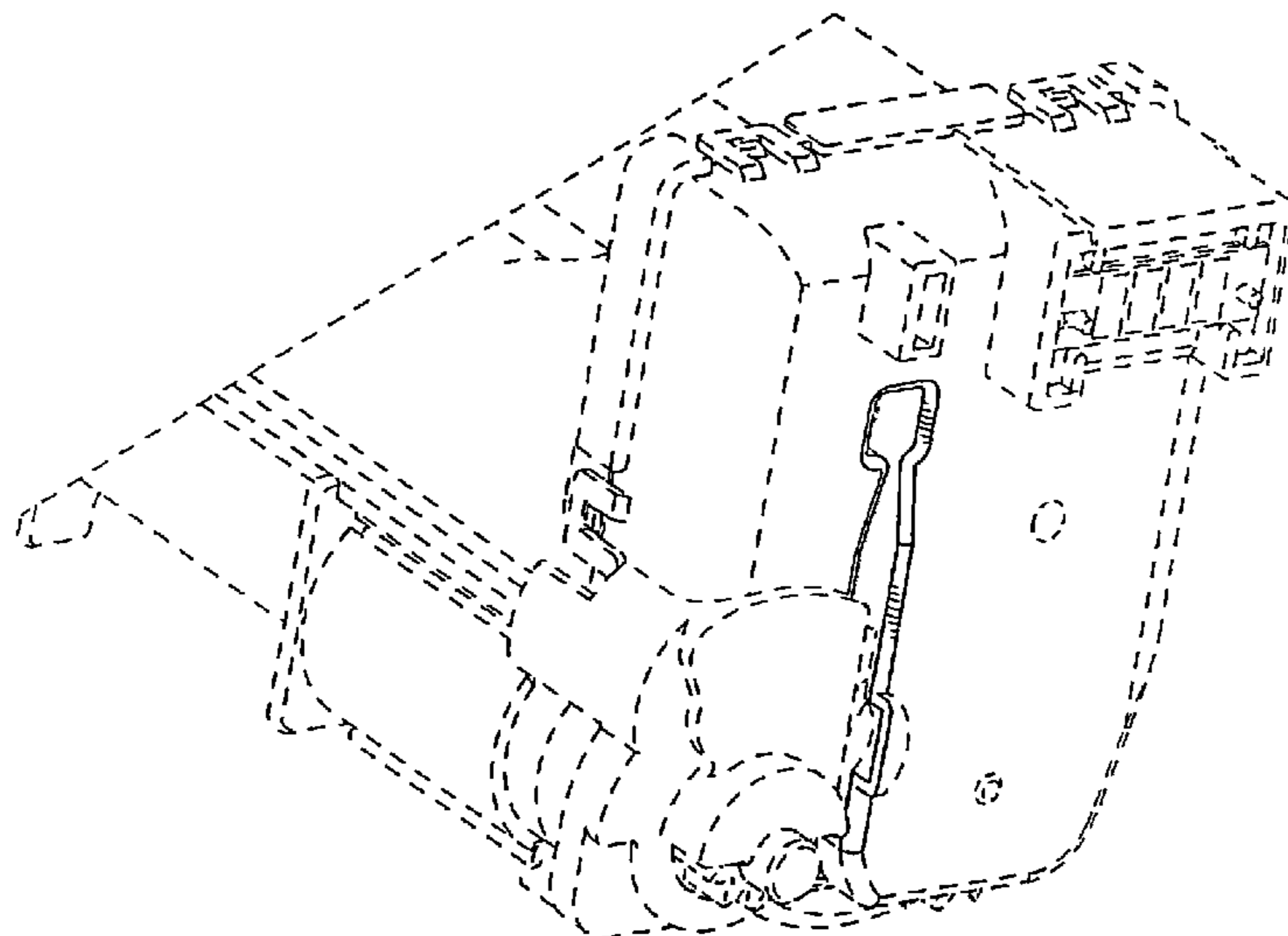


FIG. 1

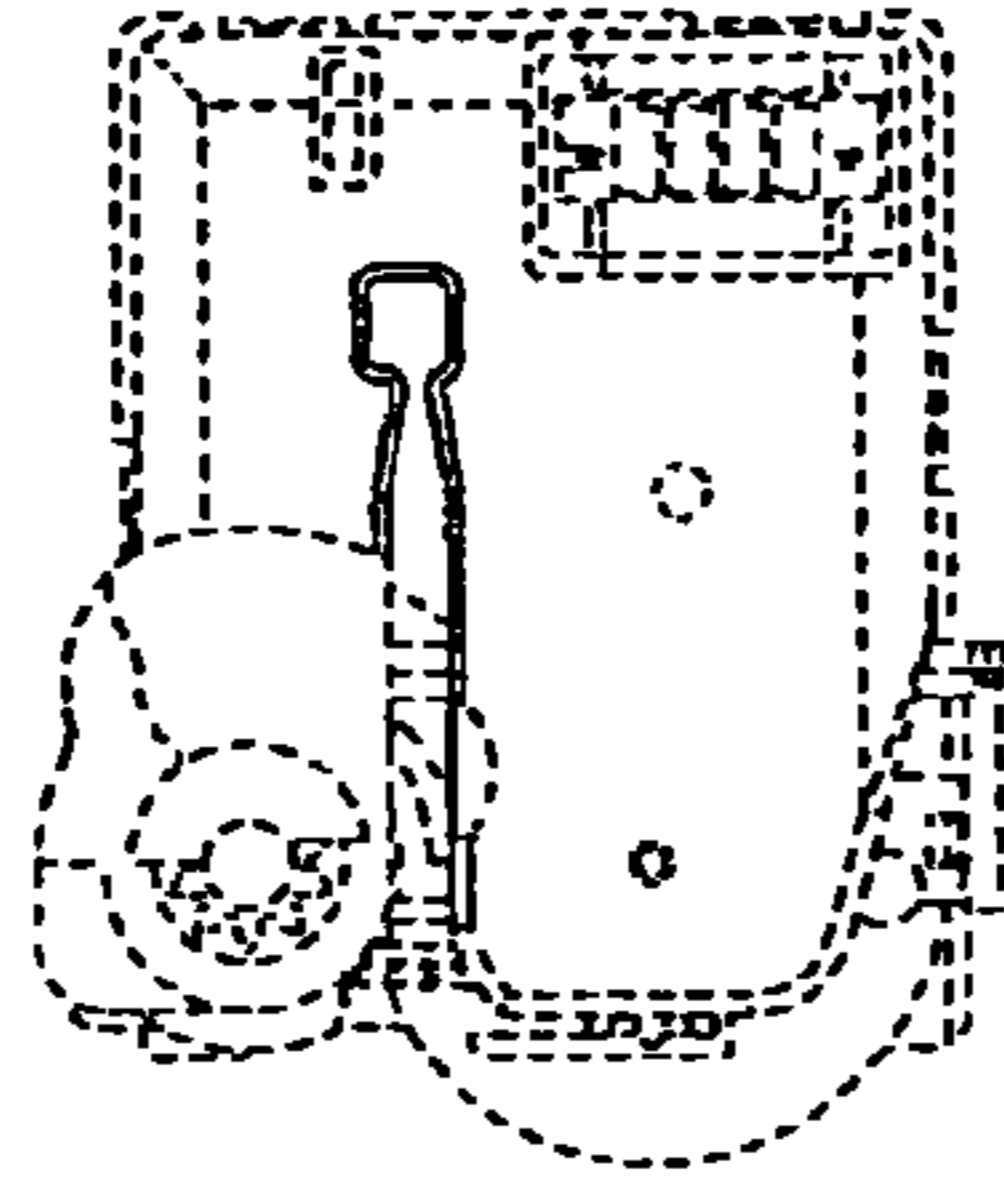


FIG. 2

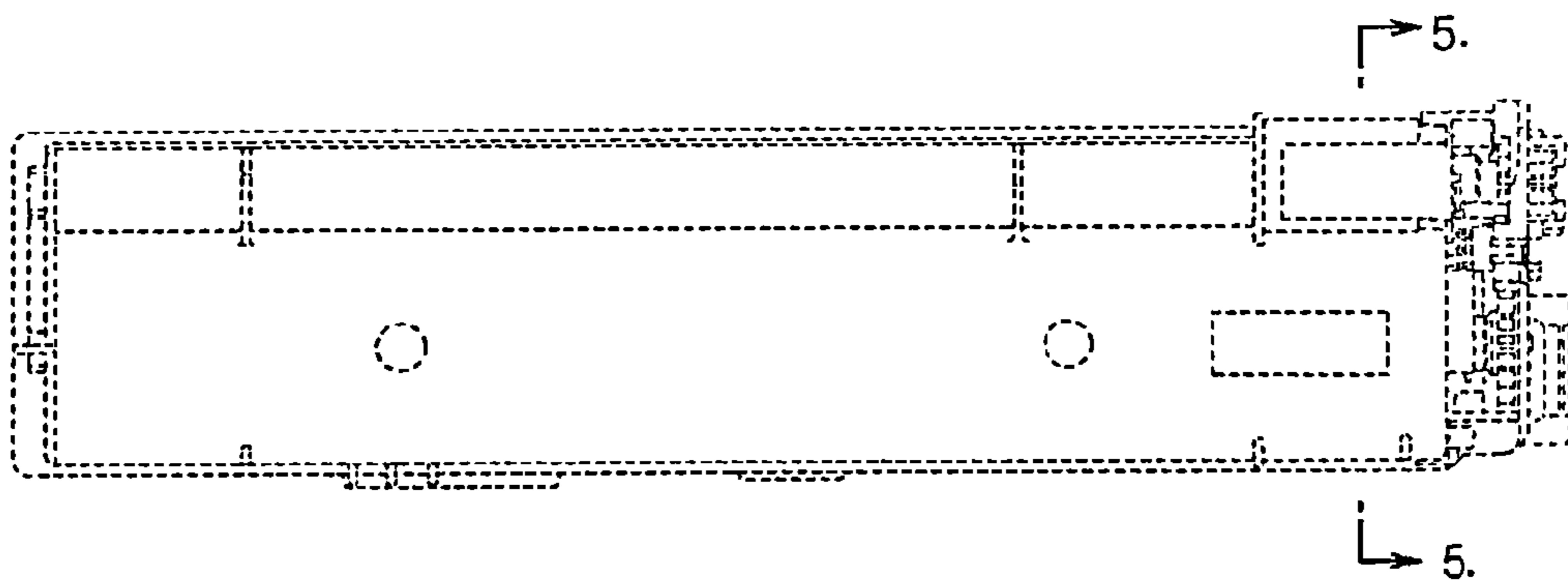


FIG.3

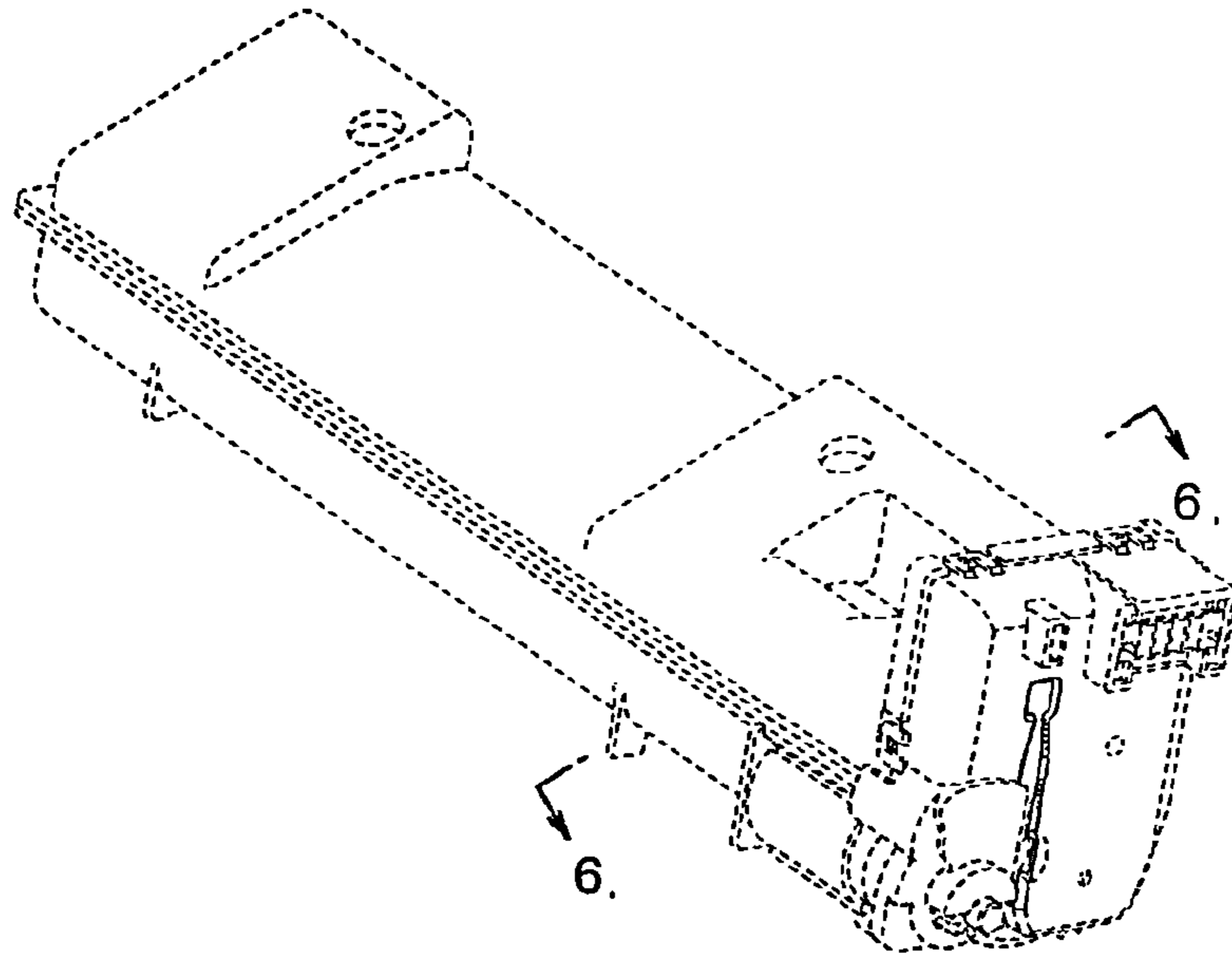


FIG.4

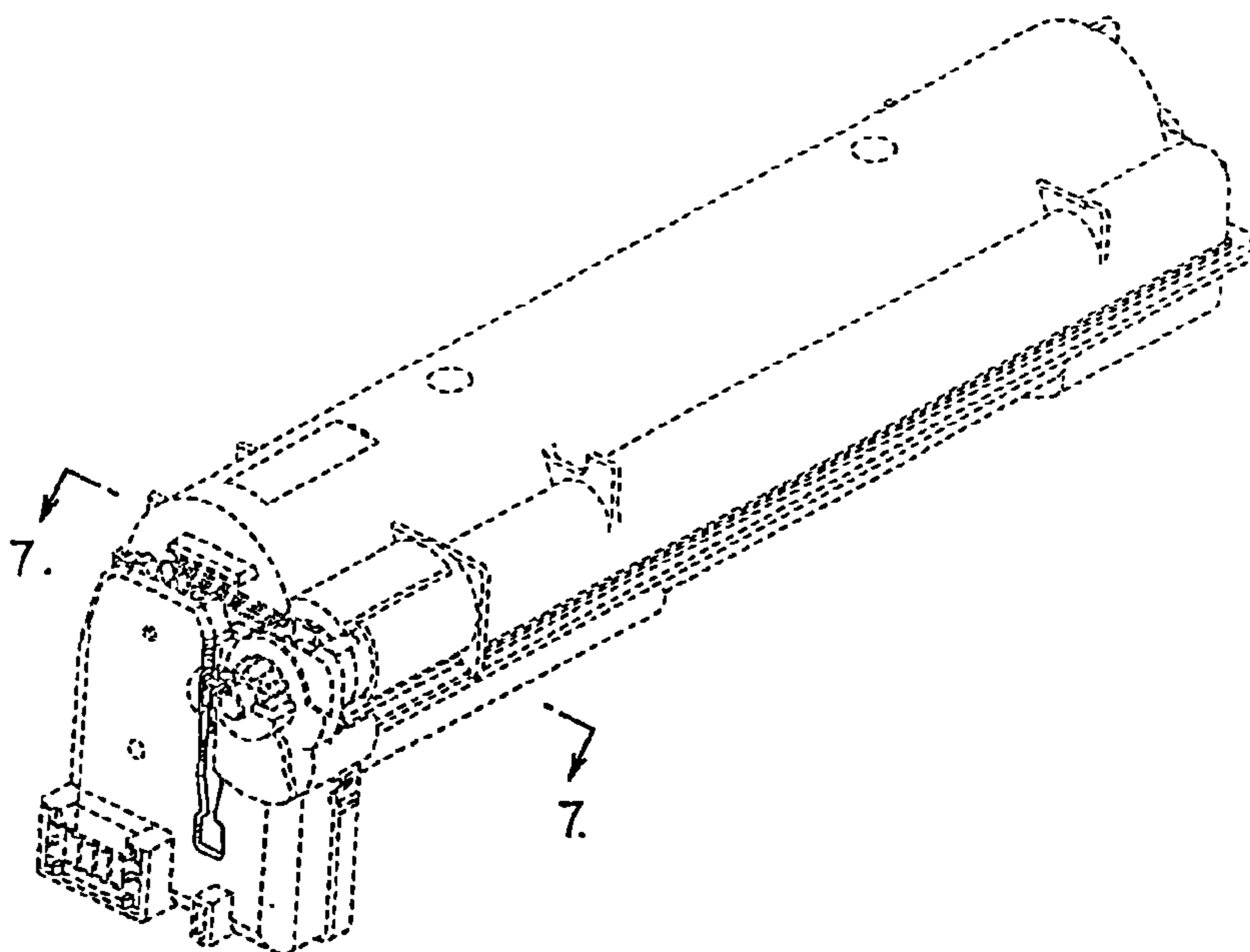


FIG. 5

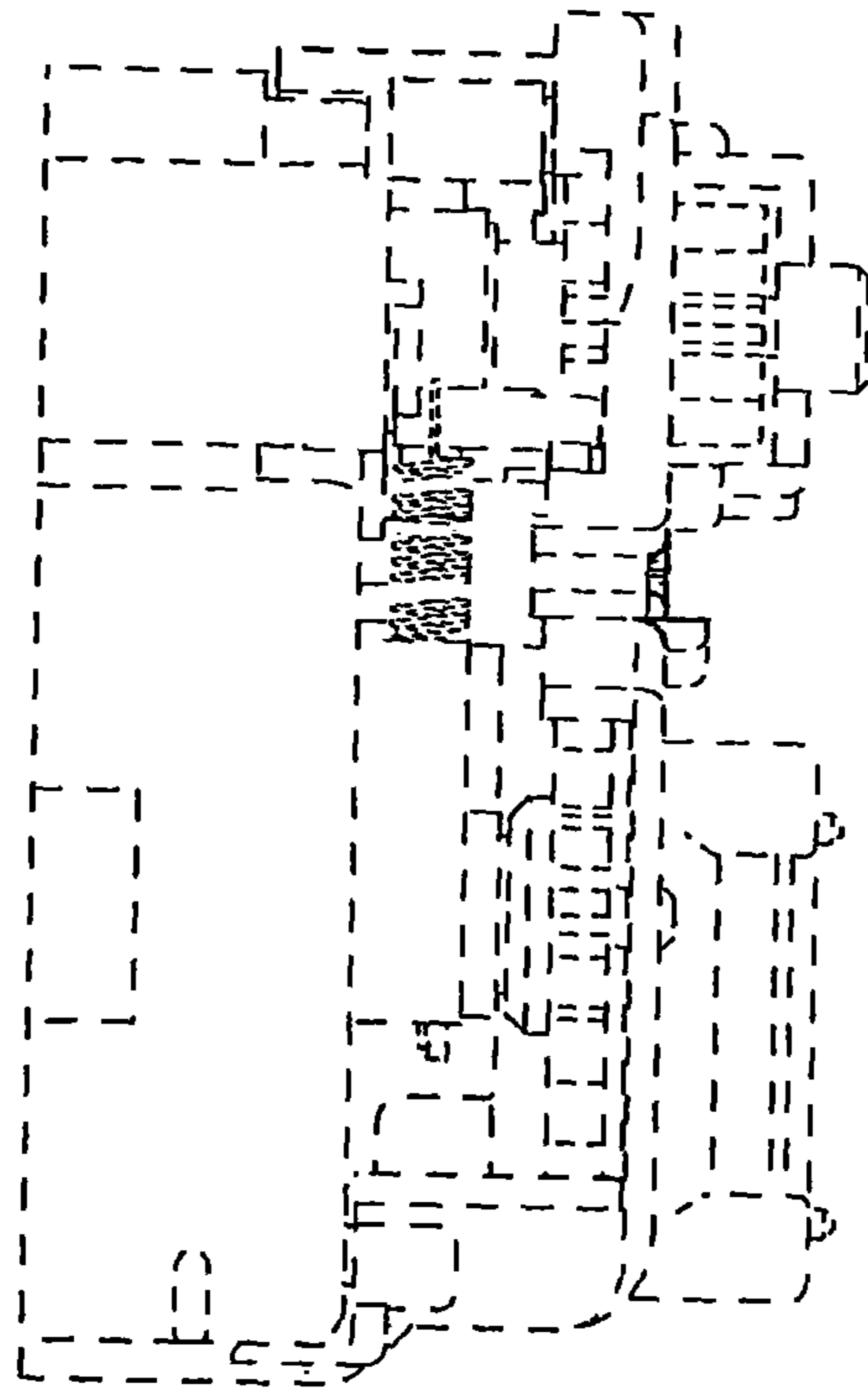


FIG. 6

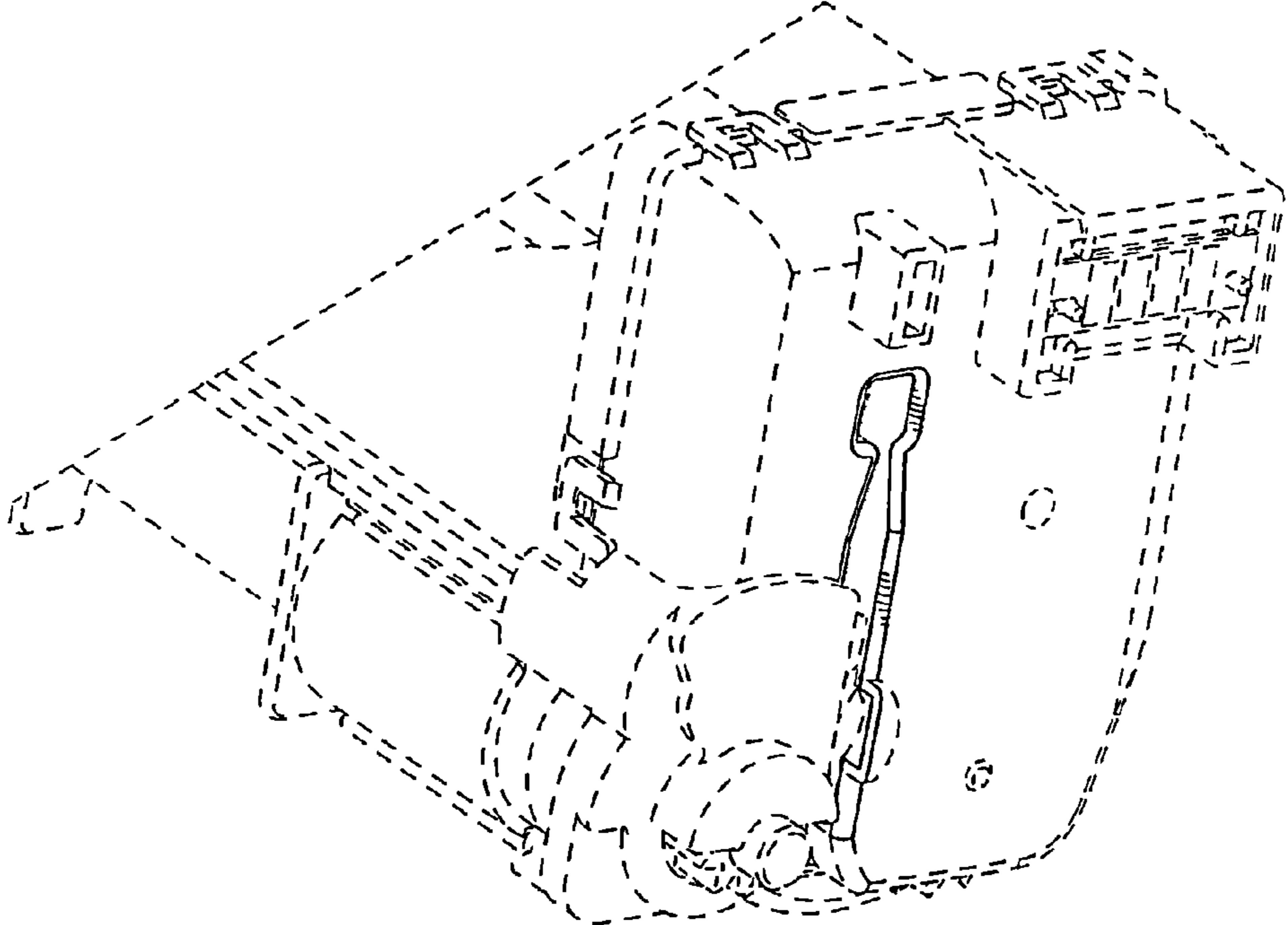


FIG. 7

