



US00D712461S

(12) **United States Design Patent**
Koshimori et al.

(10) **Patent No.:** **US D712,461 S**

(45) **Date of Patent:** **** Sep. 2, 2014**

(54) **TONER CARTRIDGE**

(71) Applicant: **Fuji Xerox Co., Ltd.**, Tokyo (JP)

(72) Inventors: **Kazunori Koshimori**, Kanagawa (JP);
Masaya Okamoto, Kanagawa (JP);
Kaoru Watanabe, Kanagawa (JP)

(73) Assignee: **Fuji Xerox Co., Ltd.**, Tokyo (JP)

(**) Term: **14 Years**

(21) Appl. No.: **29/437,332**

(22) Filed: **Nov. 15, 2012**

(30) **Foreign Application Priority Data**

May 22, 2012 (JP) 2012-011910

(51) **LOC (10) Cl.** **16-03**

(52) **U.S. Cl.**
USPC **D18/43**

(58) **Field of Classification Search**
USPC D18/12, 36, 40, 43, 44, 56; D14/471;
347/49, 50, 86, 197, 222; 399/11, 27,
399/106, 119, 120, 230, 258; 222/DIG. 1
See application file for complete search history.

(56) **References Cited**

U.S. PATENT DOCUMENTS

D431,260 S * 9/2000 Kohno et al. D18/43
D606,583 S * 12/2009 Kurenuma et al. D18/43
D622,311 S * 8/2010 Yoshida et al. D18/43
D630,244 S * 1/2011 Takiguchi et al. D18/43

D636,016 S * 4/2011 Naito et al. D18/43
D636,436 S * 4/2011 Takami D18/43
D636,813 S * 4/2011 Kikuchi et al. D18/43
D648,780 S * 11/2011 Sakai et al. D18/43
D648,781 S * 11/2011 Sakai et al. D18/43
D650,414 S * 12/2011 Takami D18/43
2002/0021909 A1 * 2/2002 Harumoto 399/27

* cited by examiner

Primary Examiner — Thomas Johannes

Assistant Examiner — Chelsea Sealey

(74) *Attorney, Agent, or Firm* — Sughrue Mion, PLLC

(57) **CLAIM**

The ornamental design for a toner cartridge, as shown and described.

DESCRIPTION

FIG. 1 is a top, front and left side perspective view of a toner cartridge showing our new design;
FIG. 2 is a top, rear and left side perspective view thereof;
FIG. 3 is a top, rear and right side perspective view thereof;
FIG. 4 is a bottom, front and right side perspective view thereof;
FIG. 5 is a front view thereof;
FIG. 6 is a rear view thereof;
FIG. 7 is a left side view thereof;
FIG. 8 is a right side view thereof;
FIG. 9 is a top plan view thereof; and,
FIG. 10 is a bottom view thereof.

The portions of the article in broken line indicate unclaimed subject matter and form no part of the claimed design.

1 Claim, 10 Drawing Sheets

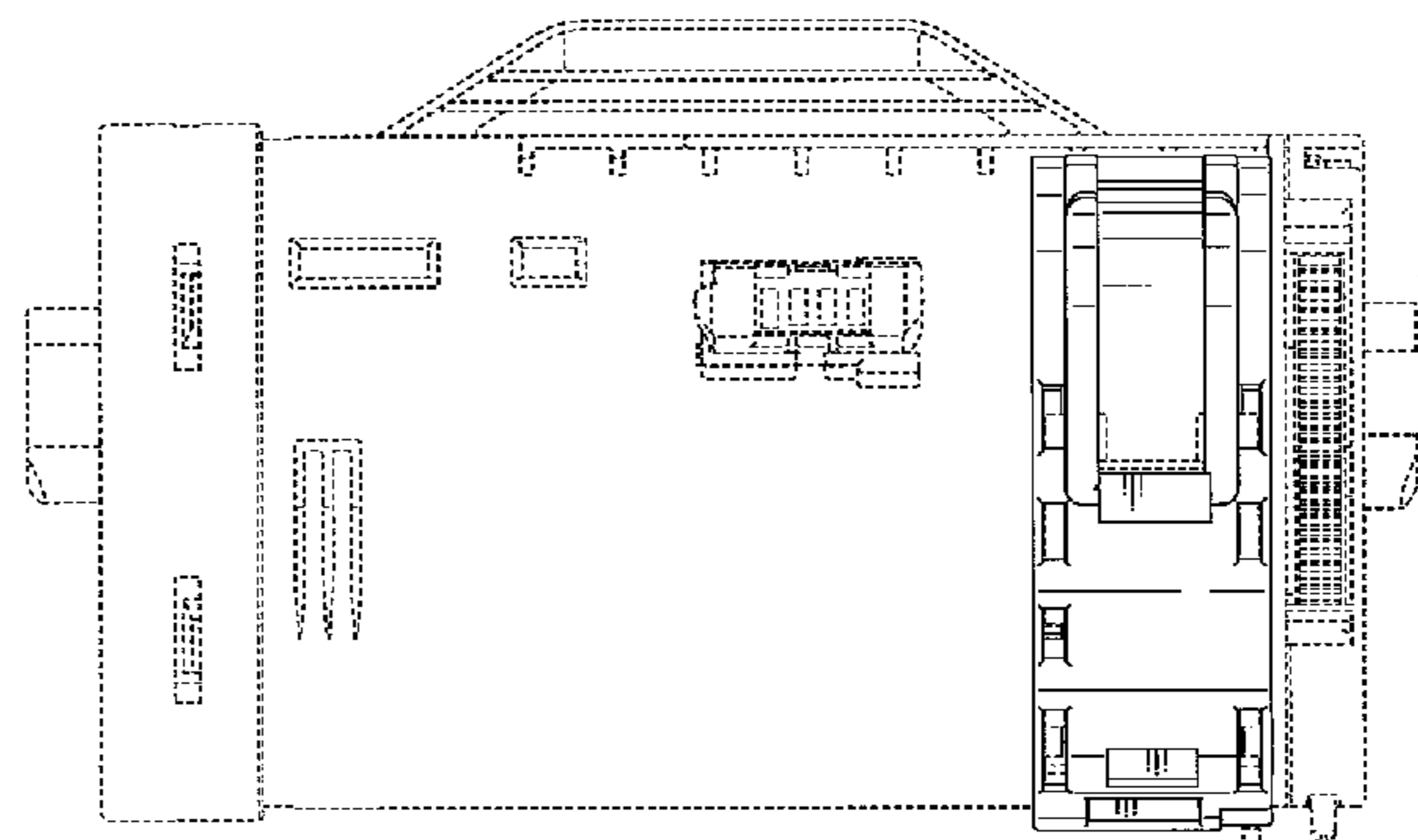
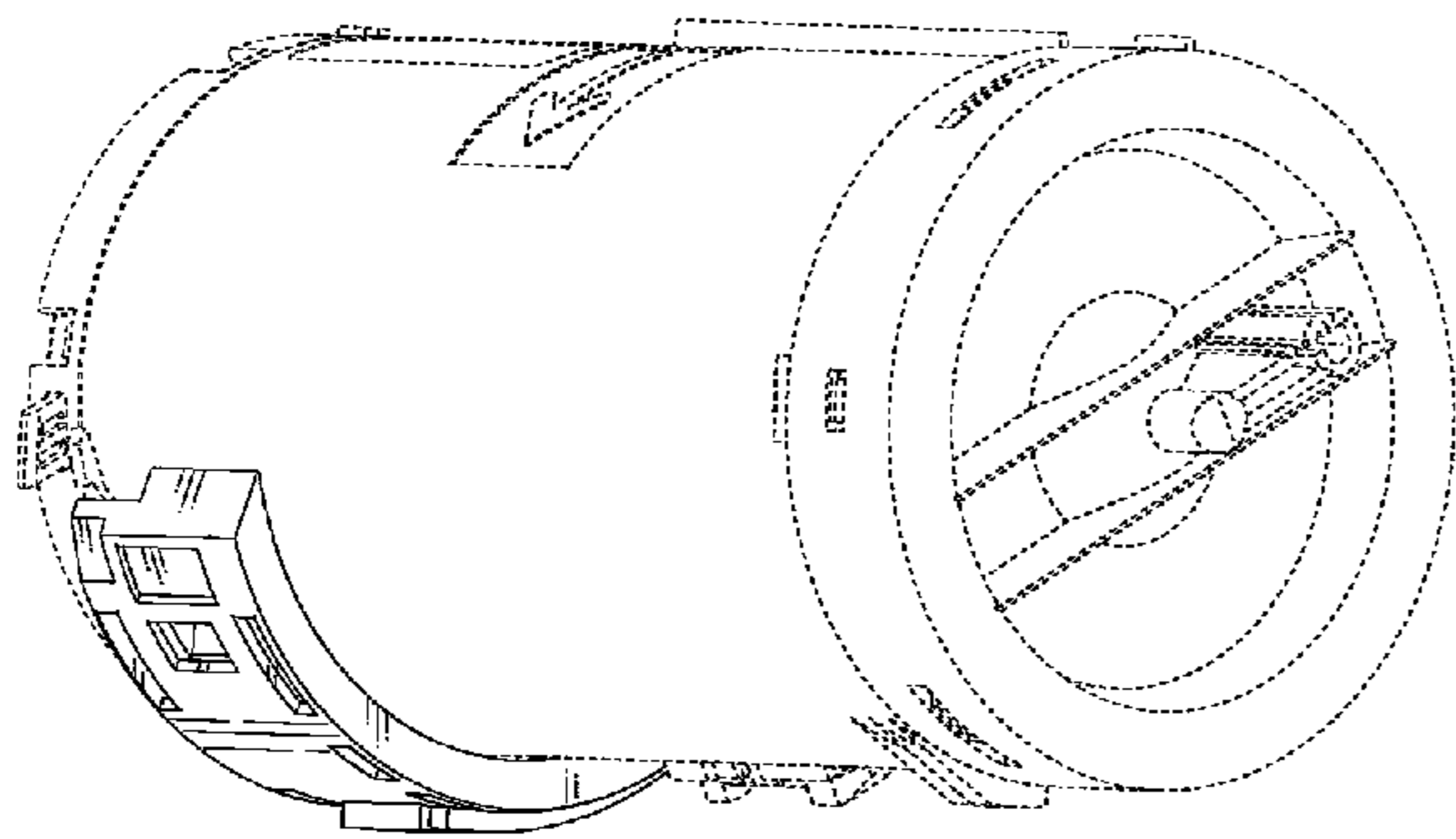


Fig. 1

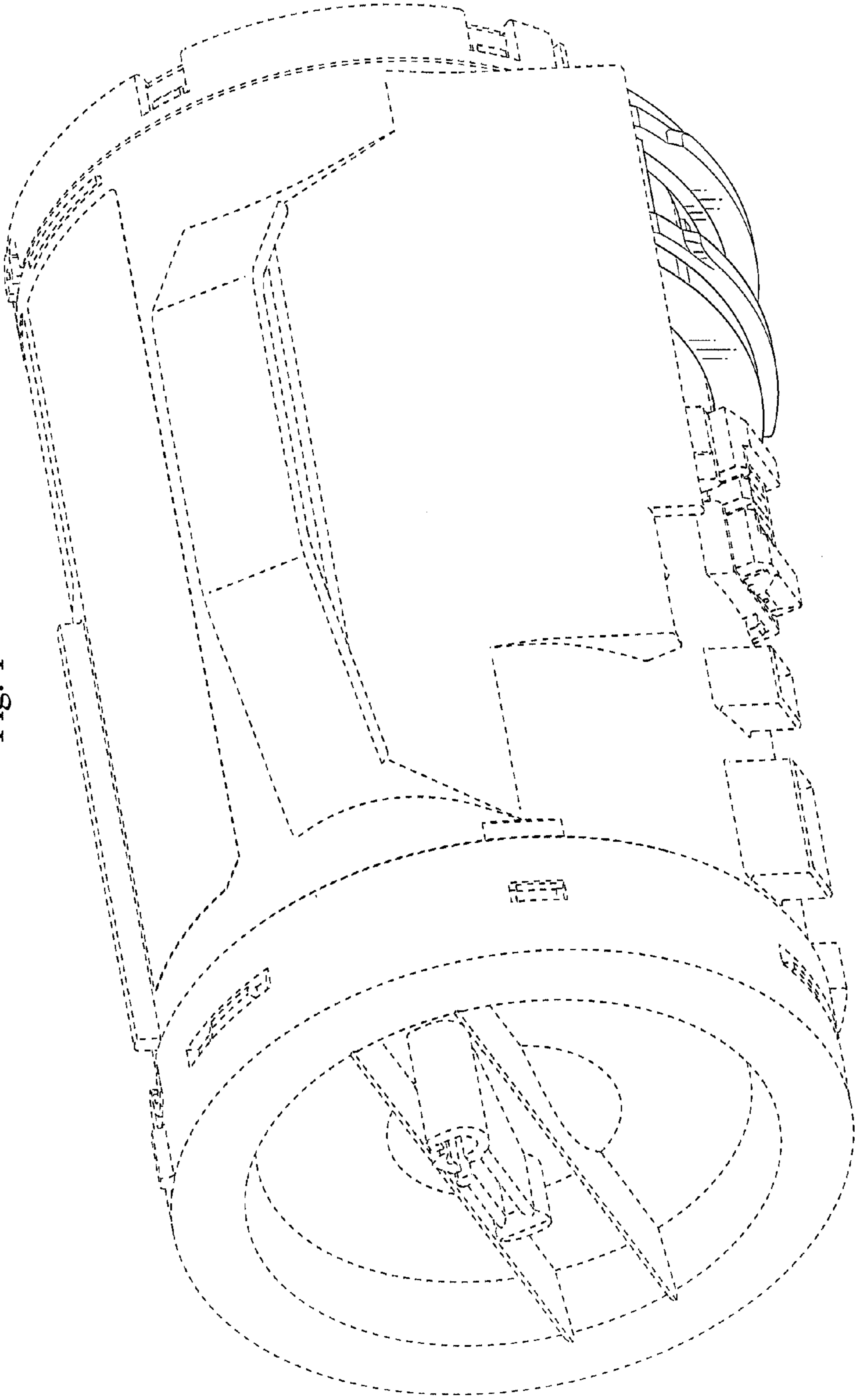
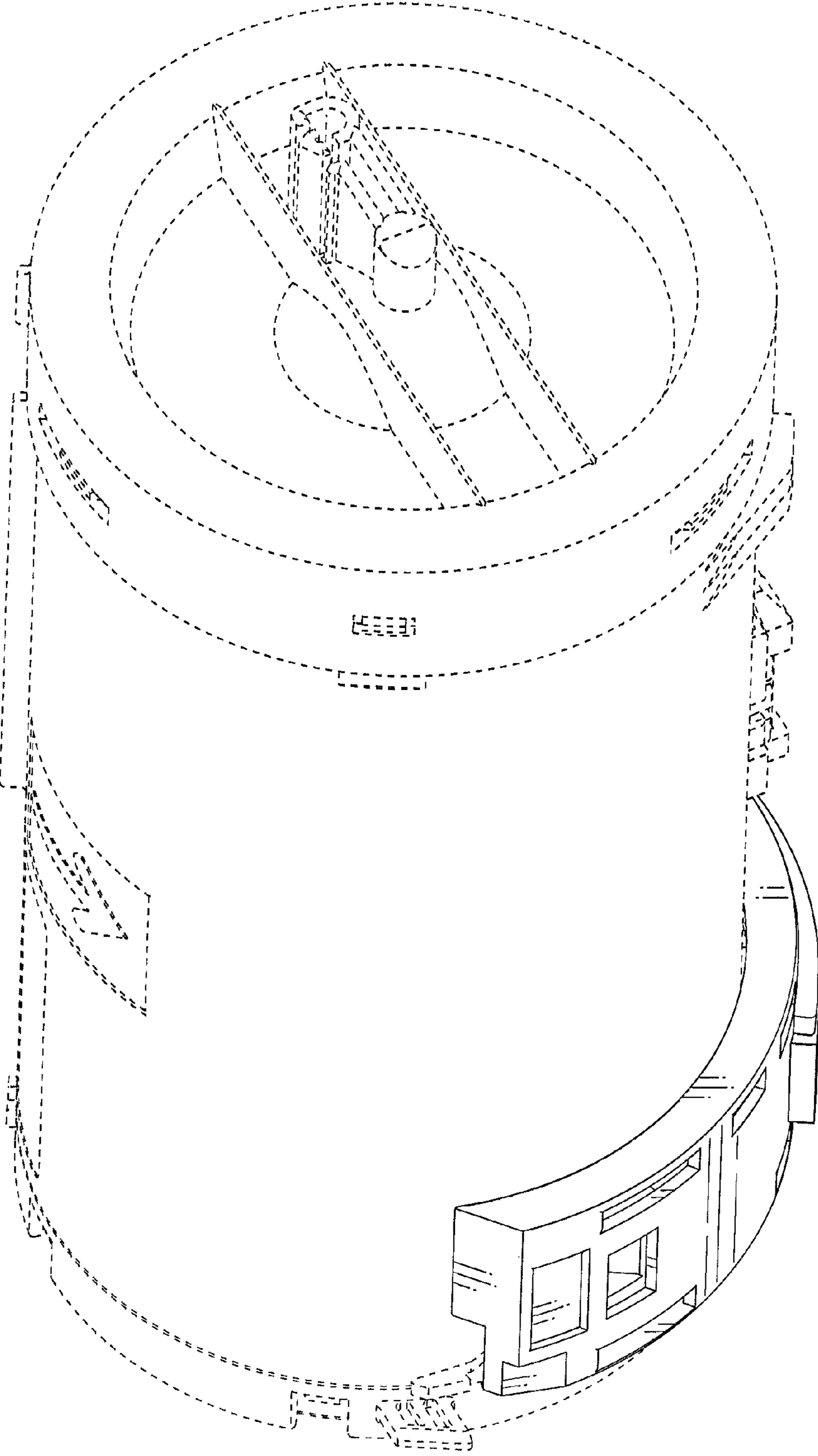


Fig. 2



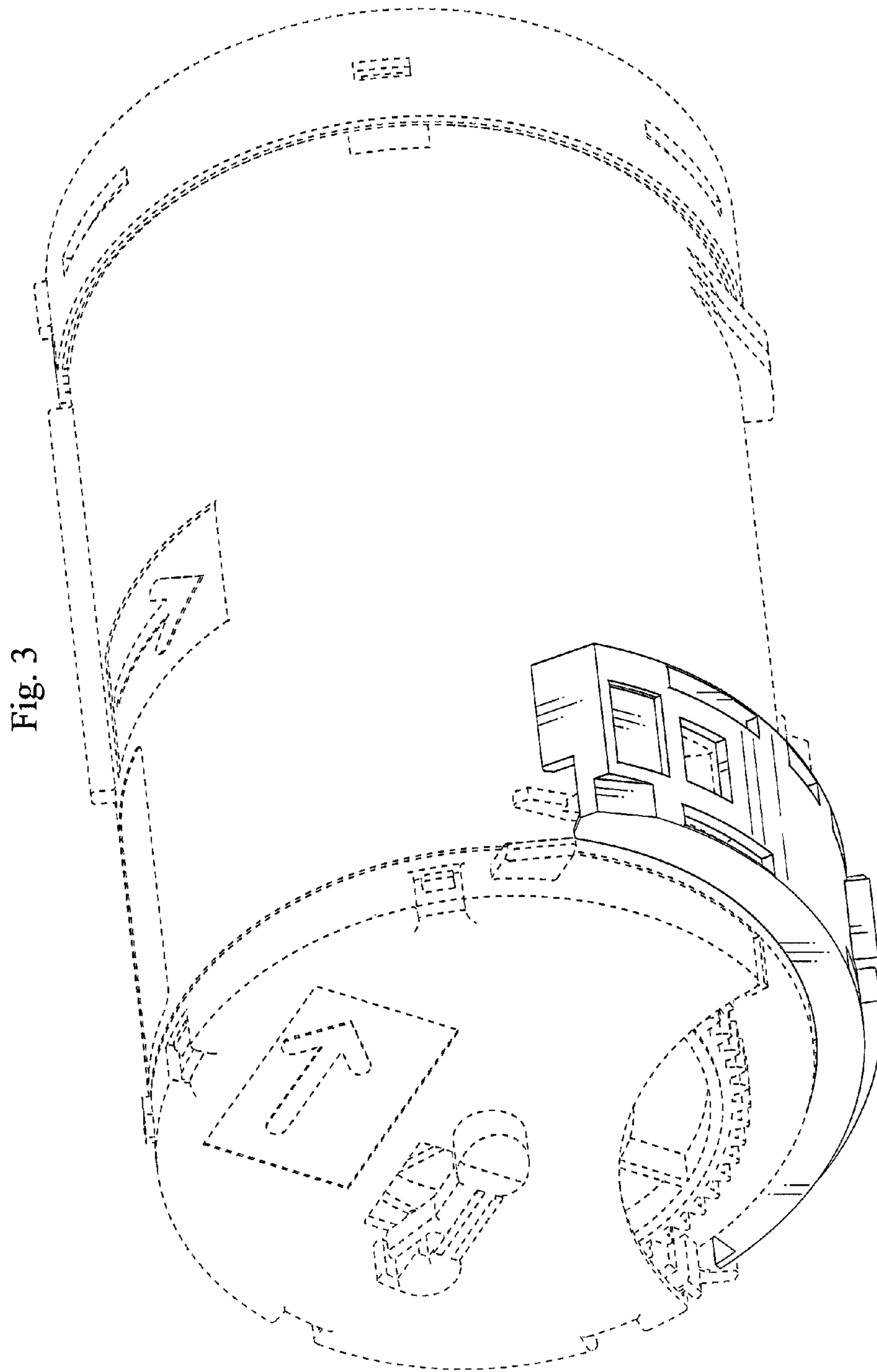


Fig. 4

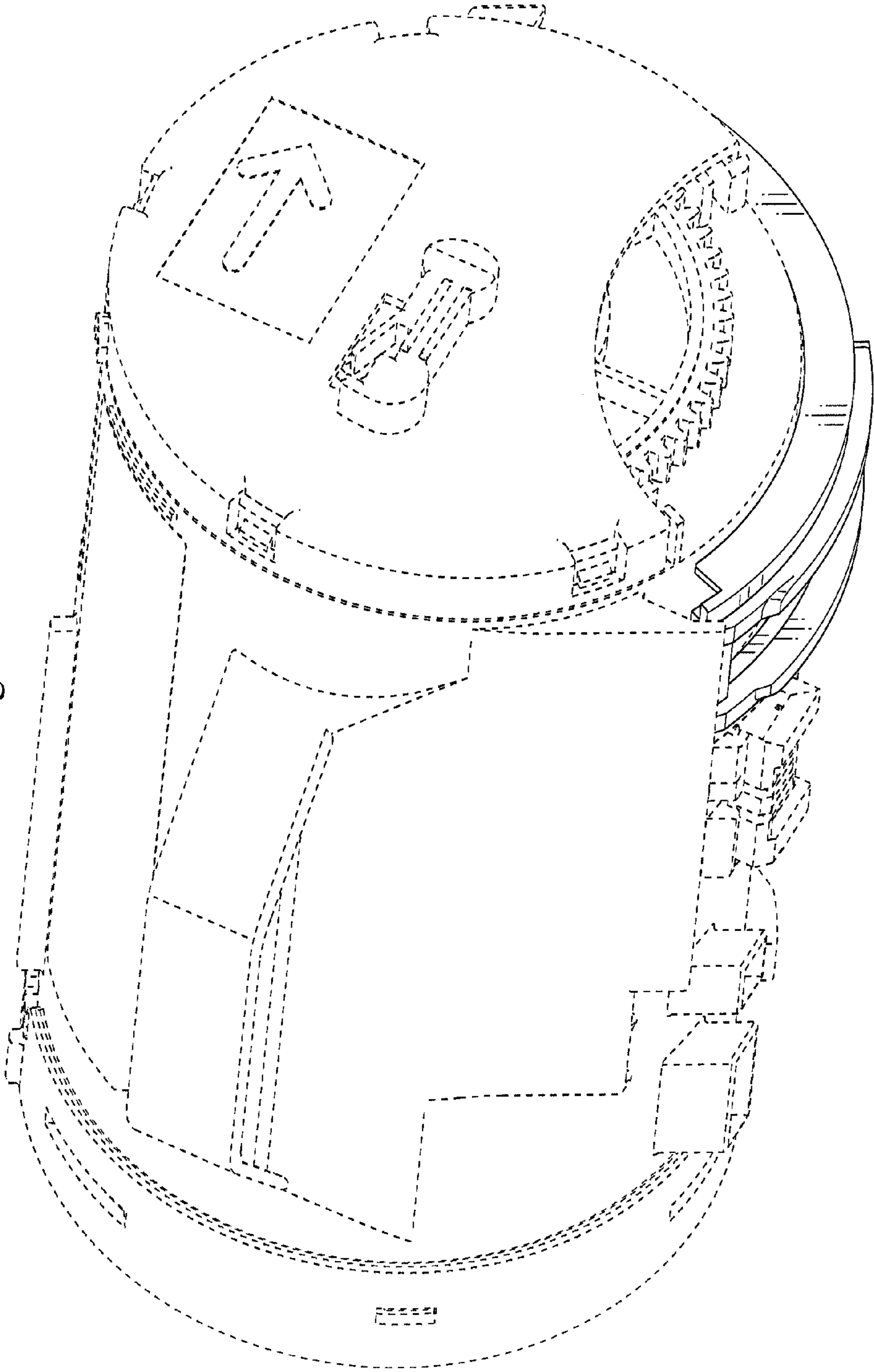


Fig. 5

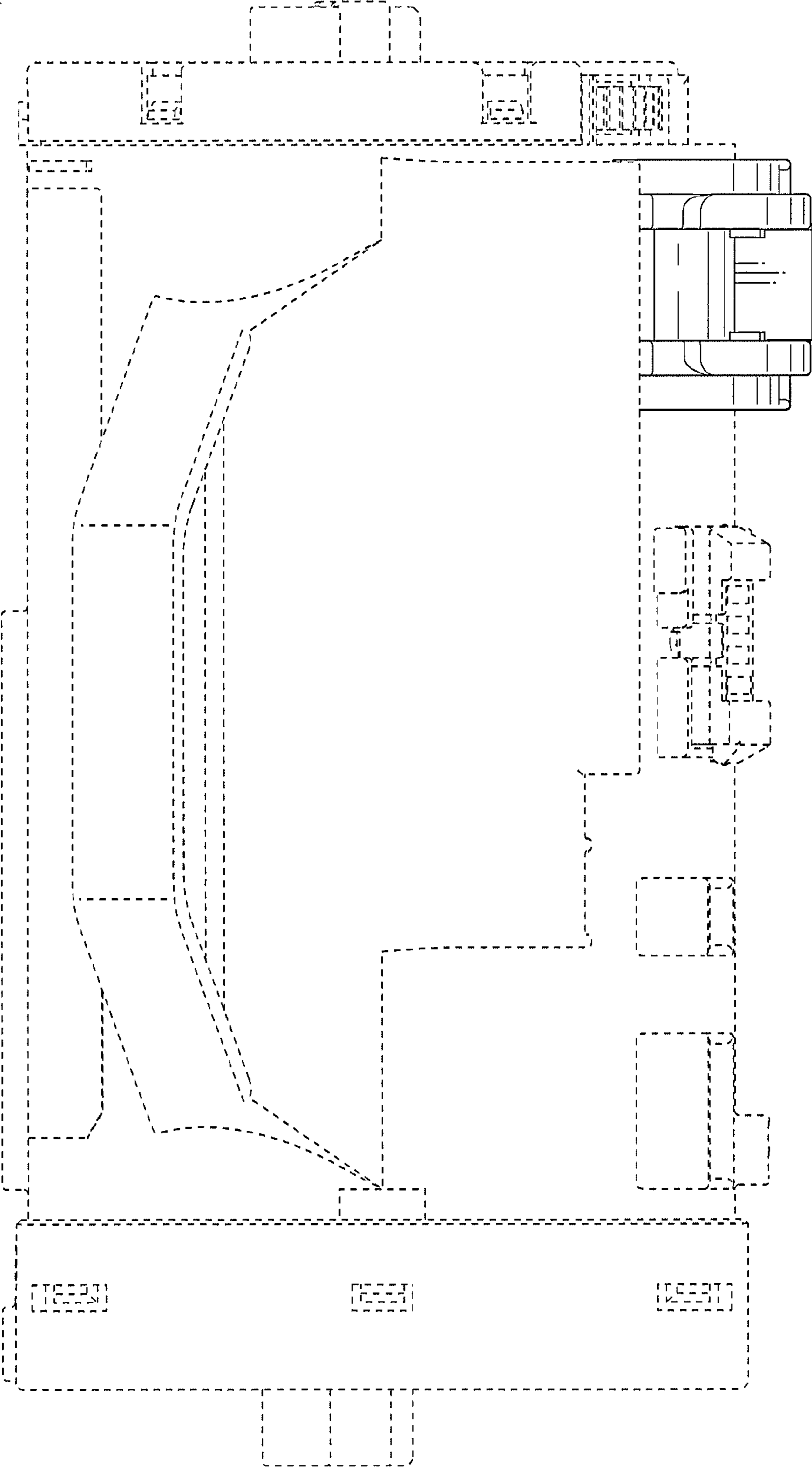


Fig. 6

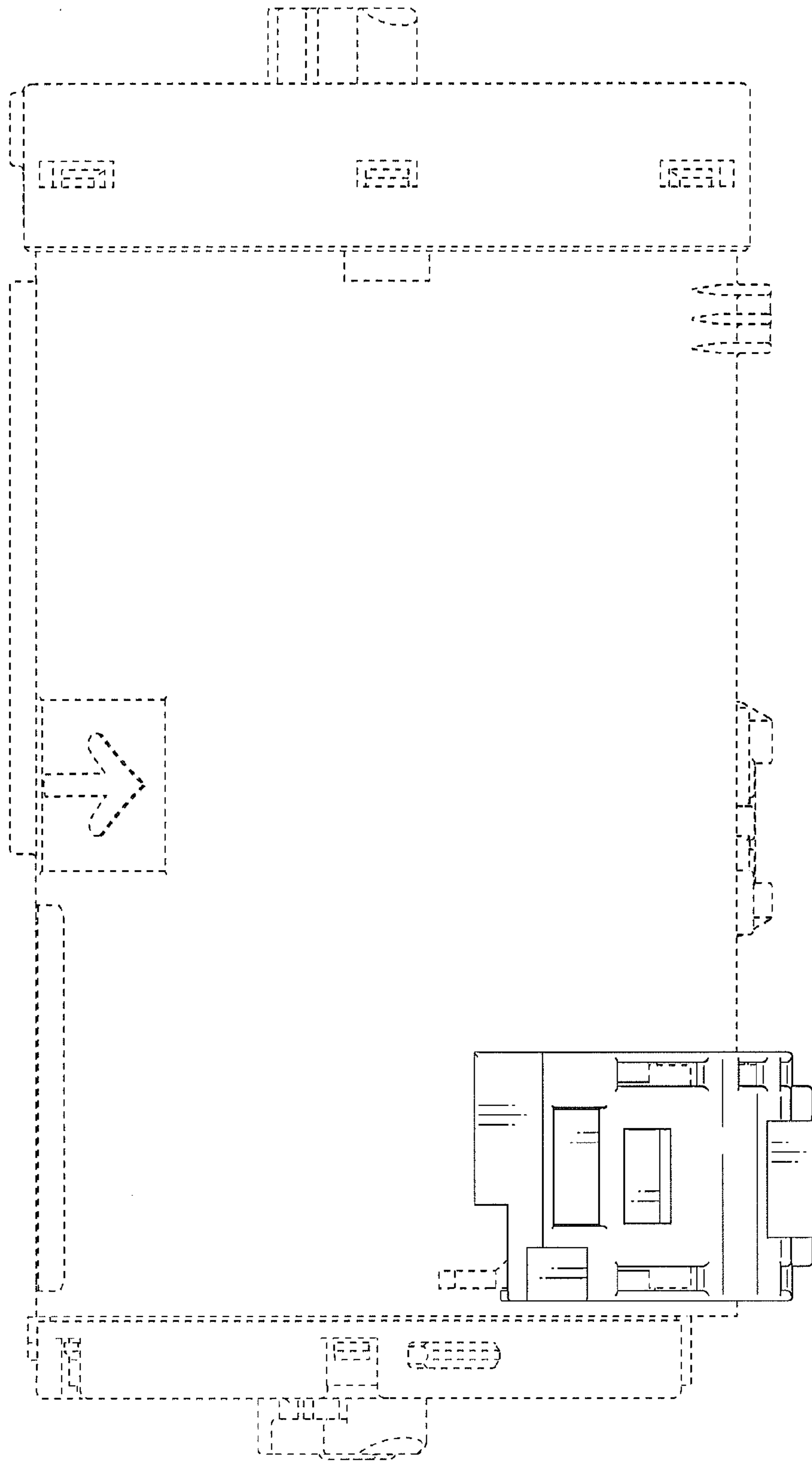


Fig. 7

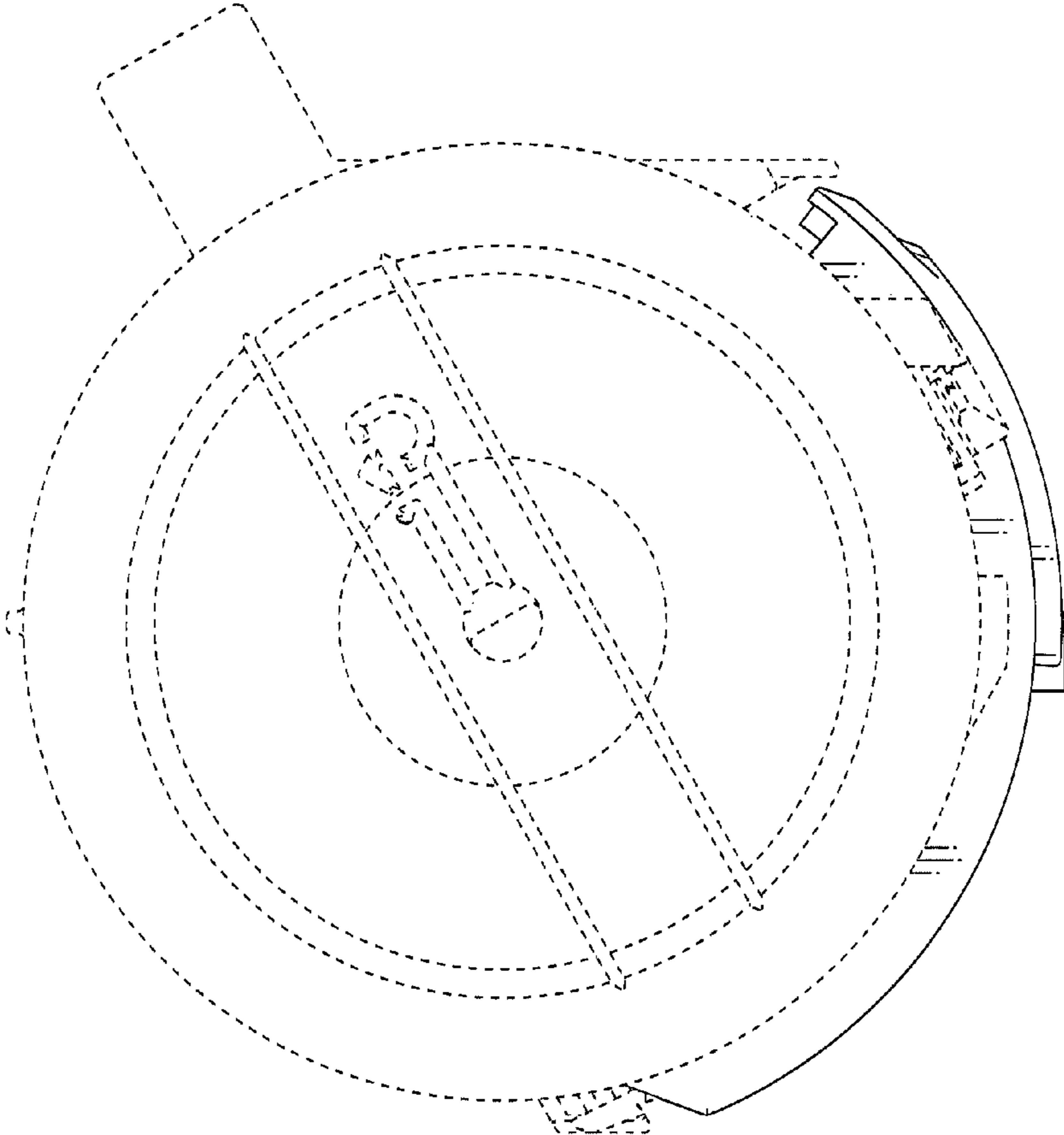


Fig. 8

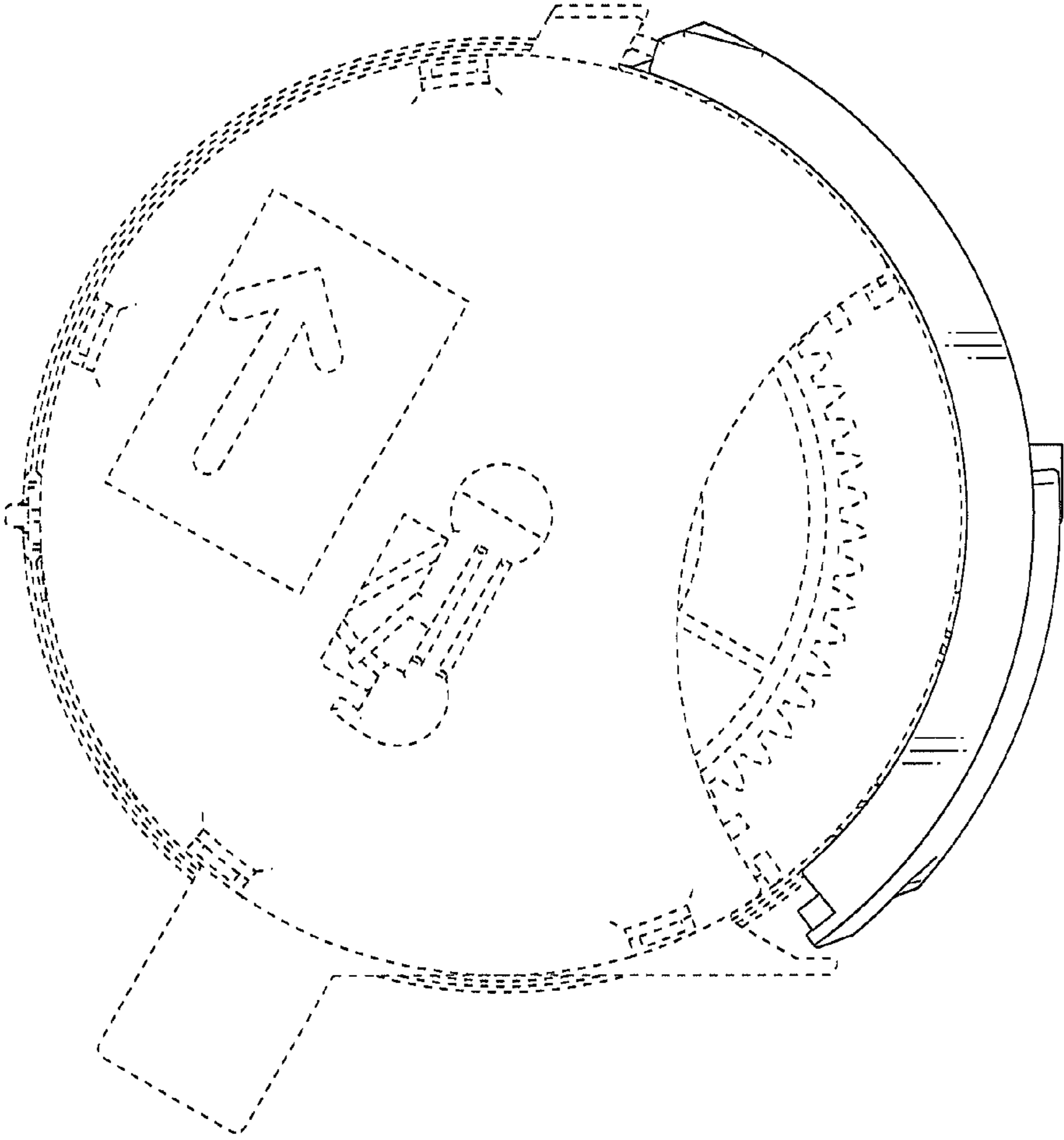


Fig. 9

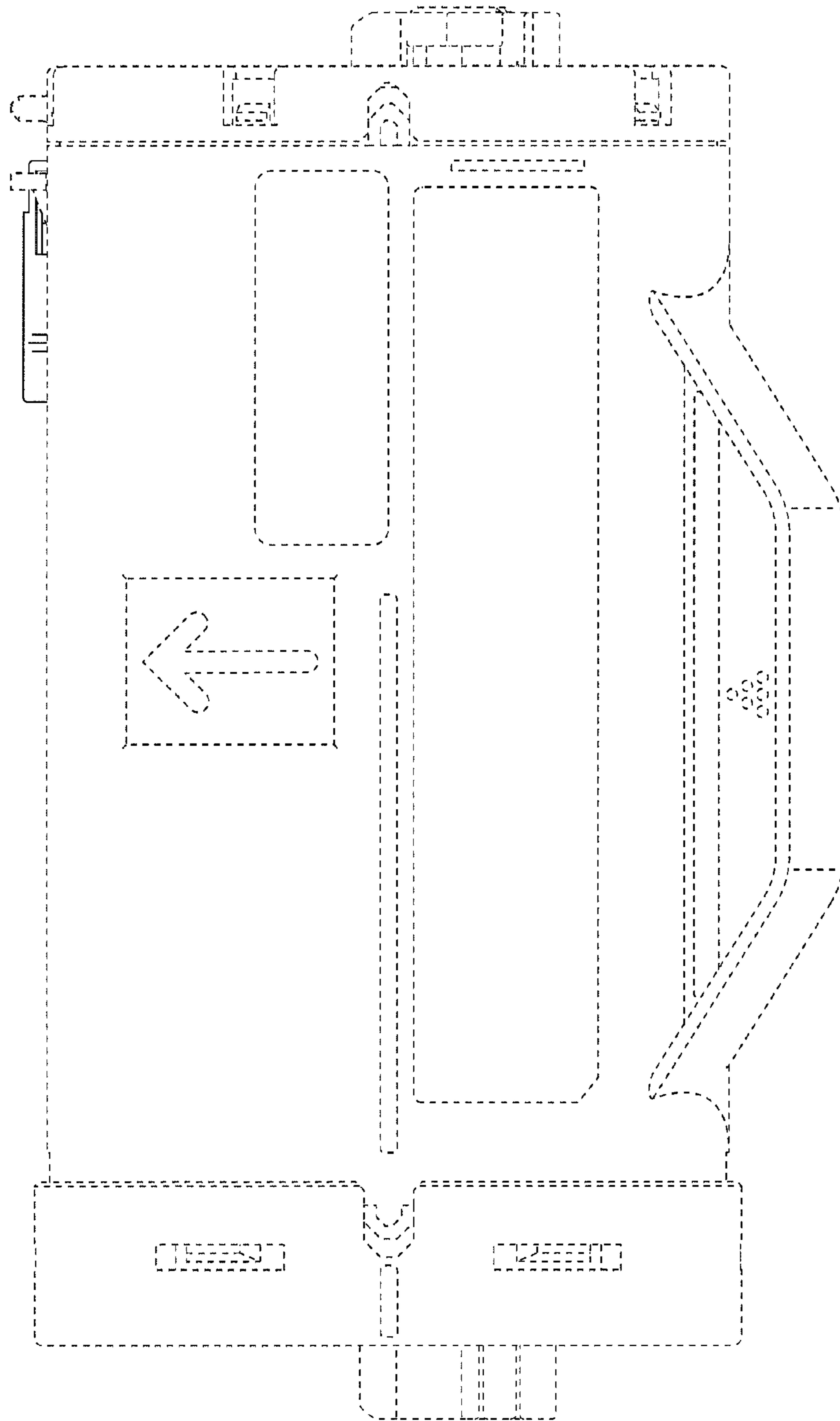


Fig. 10

