



US00D712460S

(12) **United States Design Patent**  
**Koshimori et al.**

(10) **Patent No.:** **US D712,460 S**

(45) **Date of Patent:** **\*\* Sep. 2, 2014**

(54) **TONER CARTRIDGE**

(71) Applicant: **Fuji Xerox Co., Ltd.**, Tokyo (JP)

(72) Inventors: **Kazunori Koshimori**, Kanagawa (JP);  
**Yuta Hoshino**, Kanagawa (JP)

(73) Assignee: **Fuji Xerox Co., Ltd.**, Tokyo (JP)

(\*\*) Term: **14 Years**

(21) Appl. No.: **29/437,330**

(22) Filed: **Nov. 15, 2012**

(30) **Foreign Application Priority Data**

May 22, 2012 (JP) ..... 2012-011912

(51) **LOC (10) Cl.** ..... **16-03**

(52) **U.S. Cl.**  
USPC ..... **D18/43**

(58) **Field of Classification Search**  
USPC ..... D18/12, 36, 40, 43, 44, 56; D14/471;  
347/49, 50, 86, 197, 222; 399/11, 106,  
399/119, 120, 230, 258; 222/DIG. 1  
See application file for complete search history.

(56) **References Cited**

**U.S. PATENT DOCUMENTS**

D240,201 S *	6/1976	Avolio	.....	D18/43
D431,260 S *	9/2000	Kohno et al.	.....	D18/43
D583,862 S *	12/2008	Park et al.	.....	D18/56
D645,503 S *	9/2011	Carter et al.	.....	D18/56
D662,129 S *	6/2012	Zeng et al.	.....	D18/43
D693,400 S *	11/2013	Boettcher et al.	.....	D18/43

D694,816 S *	12/2013	Fukamachi et al.	.....	D18/43
D695,338 S *	12/2013	Boettcher et al.	.....	D18/43
D695,820 S *	12/2013	Carter et al.	.....	D18/43

\* cited by examiner

*Primary Examiner* — Thomas Johannes

*Assistant Examiner* — Chelsea Sealey

(74) *Attorney, Agent, or Firm* — Sughrue Mion, PLLC

(57) **CLAIM**

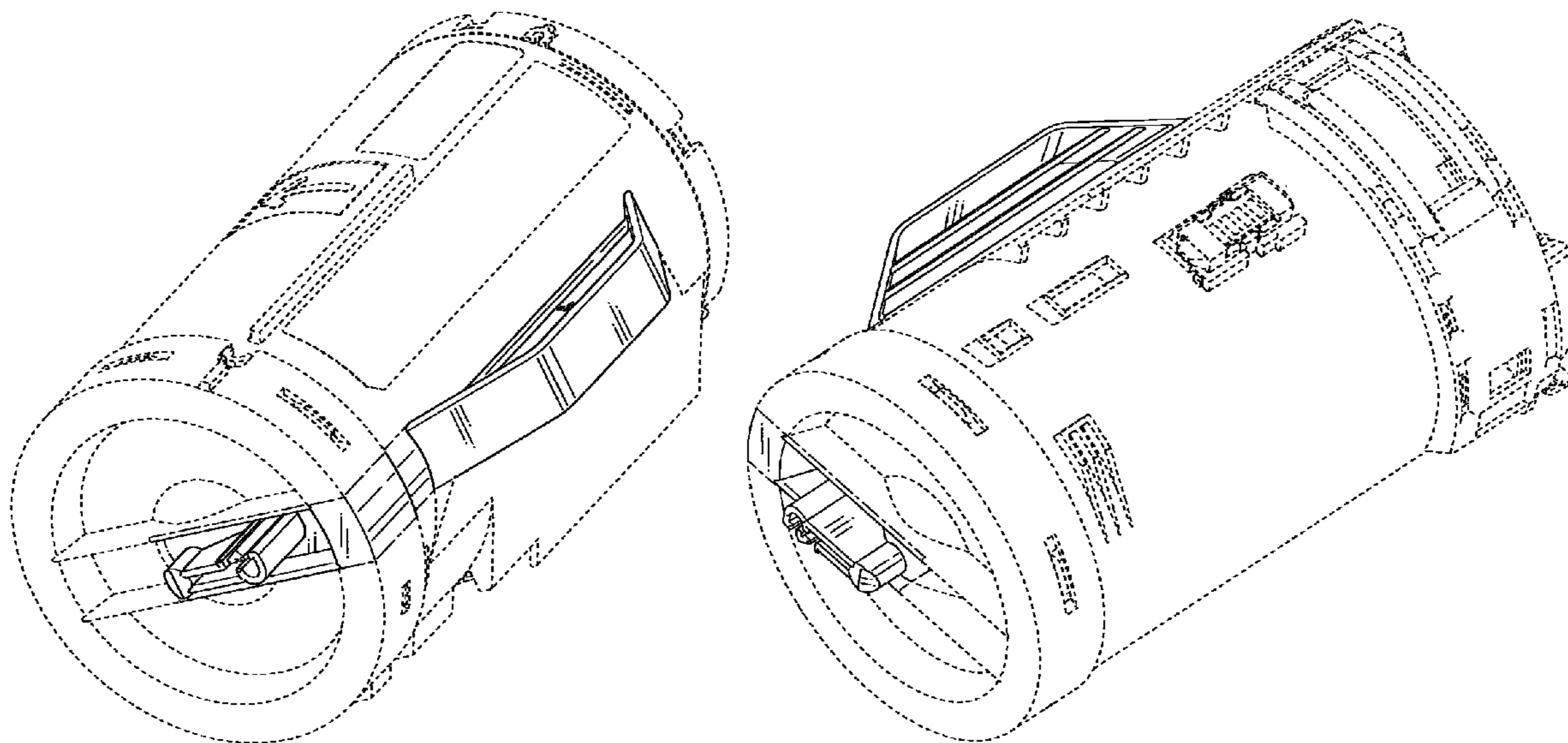
The ornamental design for a toner cartridge, as shown and described.

**DESCRIPTION**

FIG. 1 is a top, front and left side perspective view of a toner cartridge showing our new design;  
FIG. 2 is a bottom, front and left side perspective view thereof;  
FIG. 3 is a top, rear and right side perspective view thereof;  
FIG. 4 is a front view thereof;  
FIG. 5 is a rear view thereof;  
FIG. 6 is a left side view thereof;  
FIG. 7 is a right side view thereof;  
FIG. 8 is a top plan view thereof; and,  
FIG. 9 is a bottom view thereof.

The portions of the article in dash-dash broken line indicate unclaimed subject matter that forms no part of the claimed design. The portions of the article in dashed-dotted line are shown for boundaries between the claimed portion and the non-claimed portion and form no part of the claimed design.

**1 Claim, 9 Drawing Sheets**



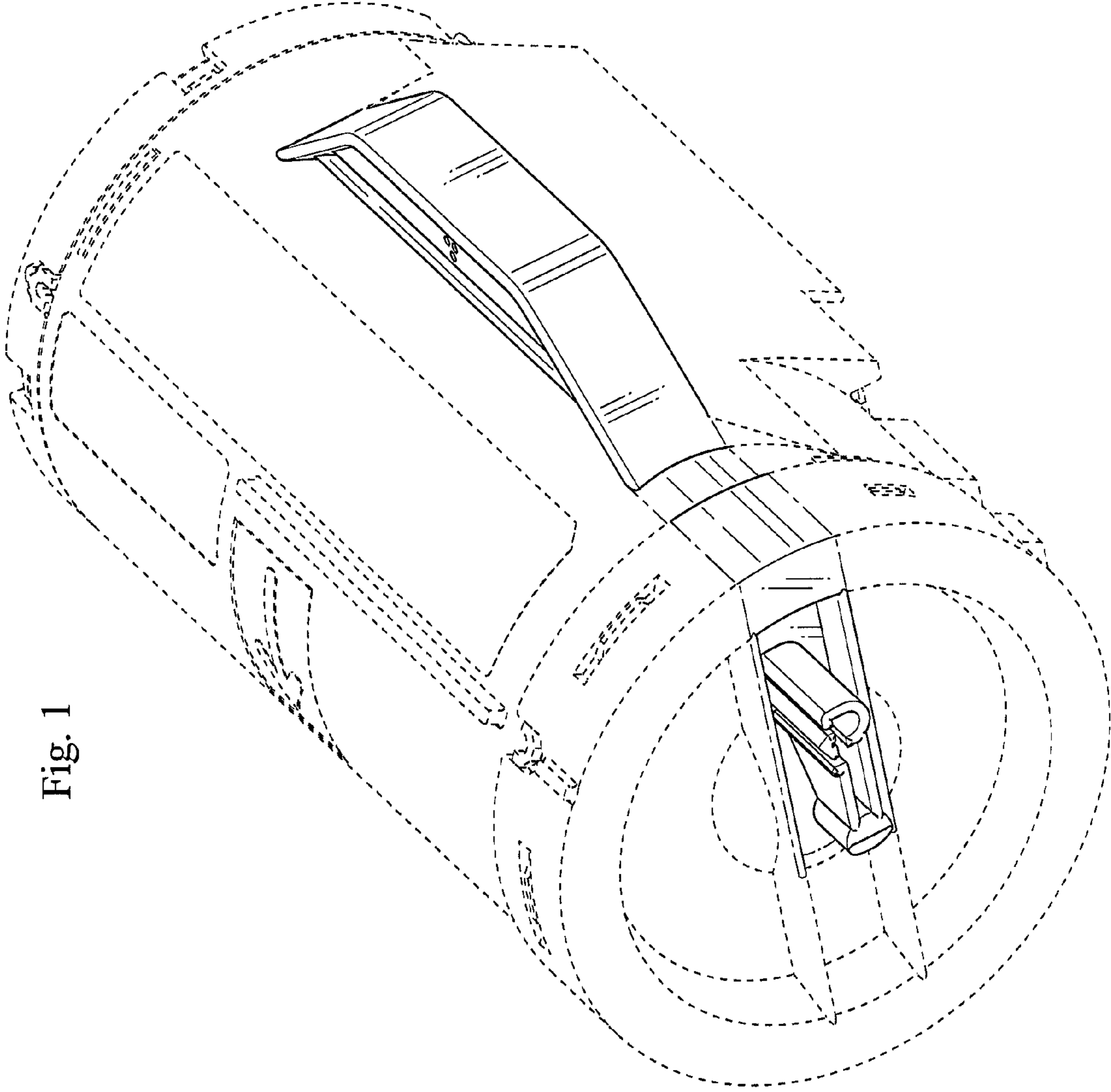


Fig. 1

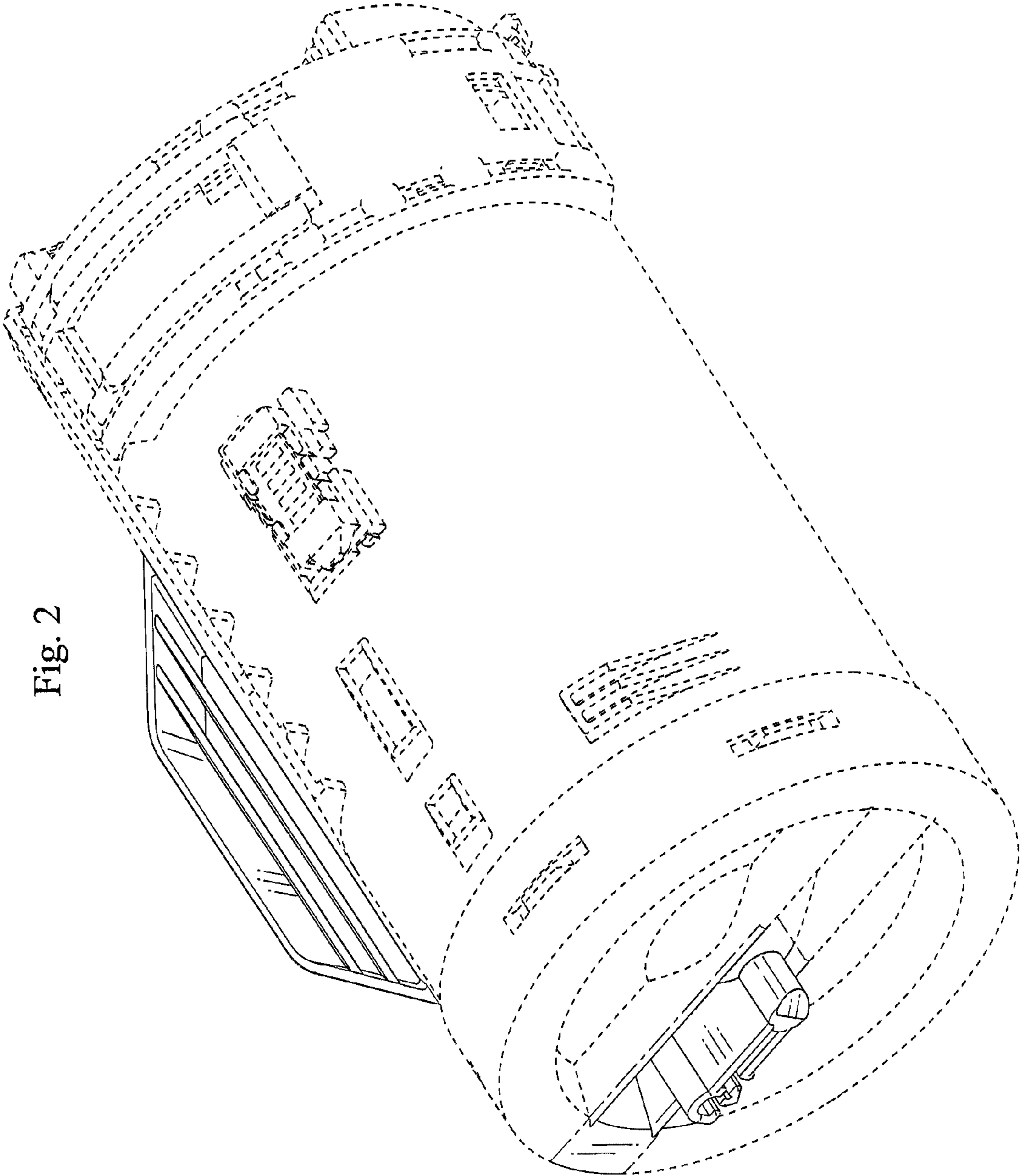


Fig. 2

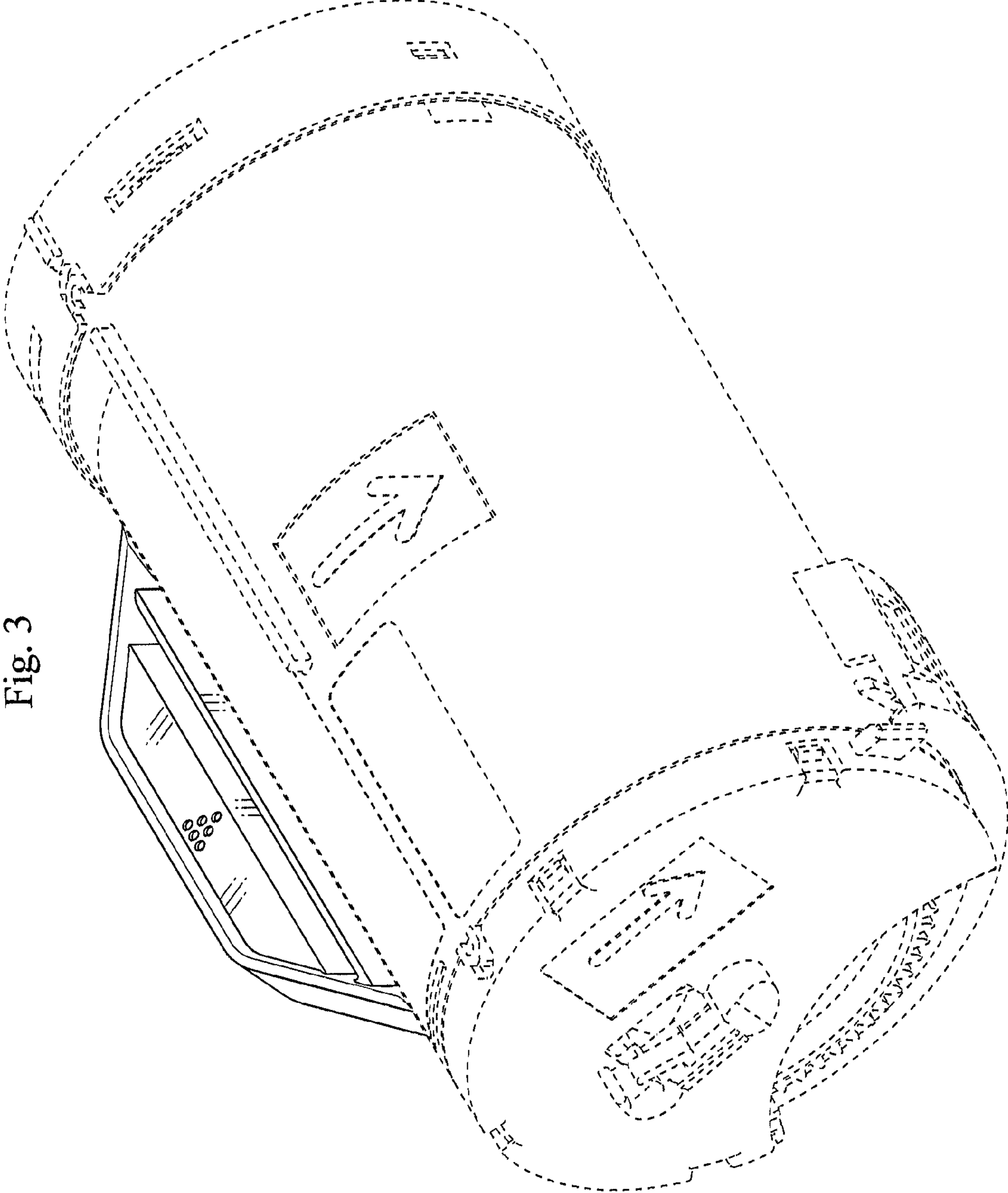


Fig. 3



Fig. 4

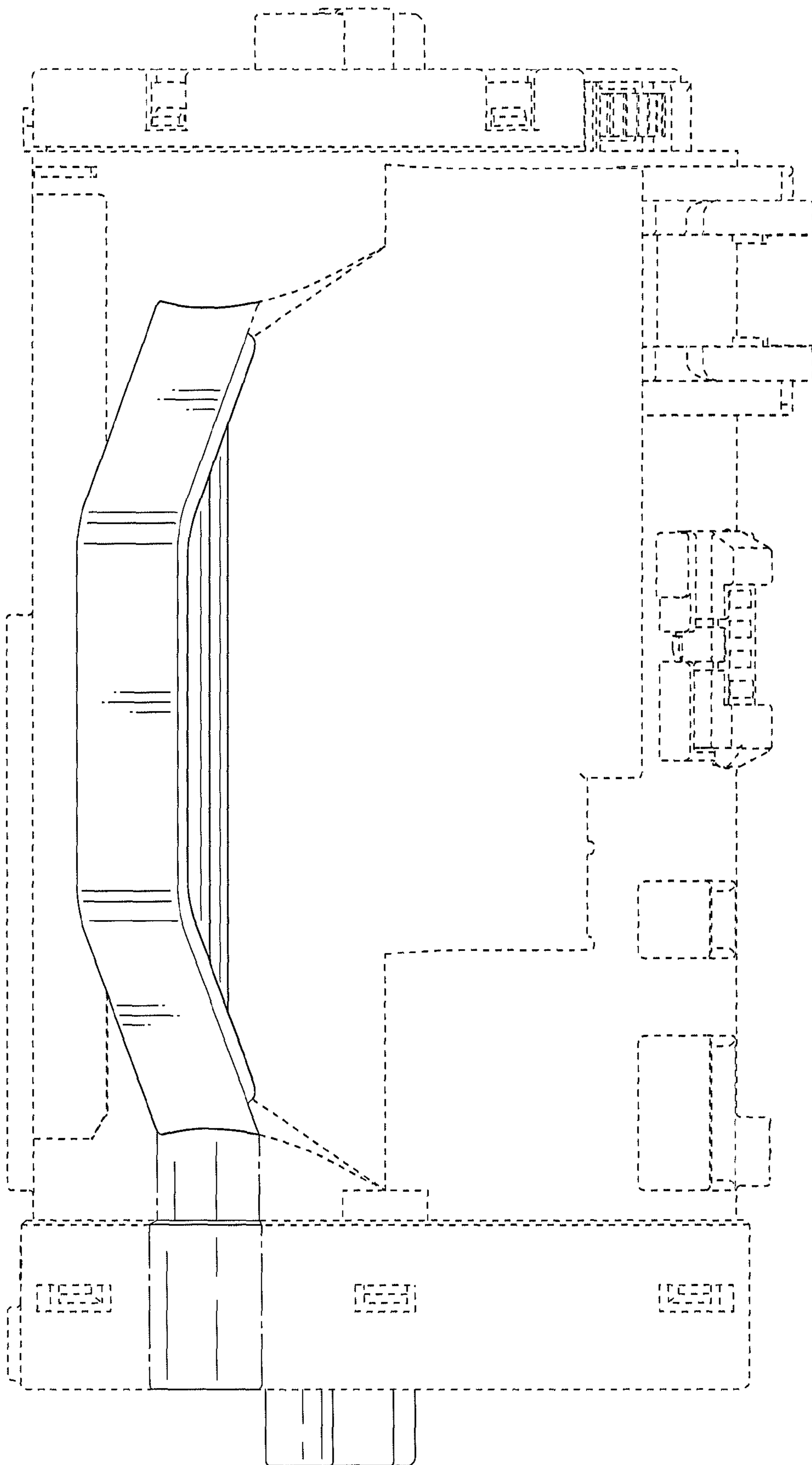


Fig. 5

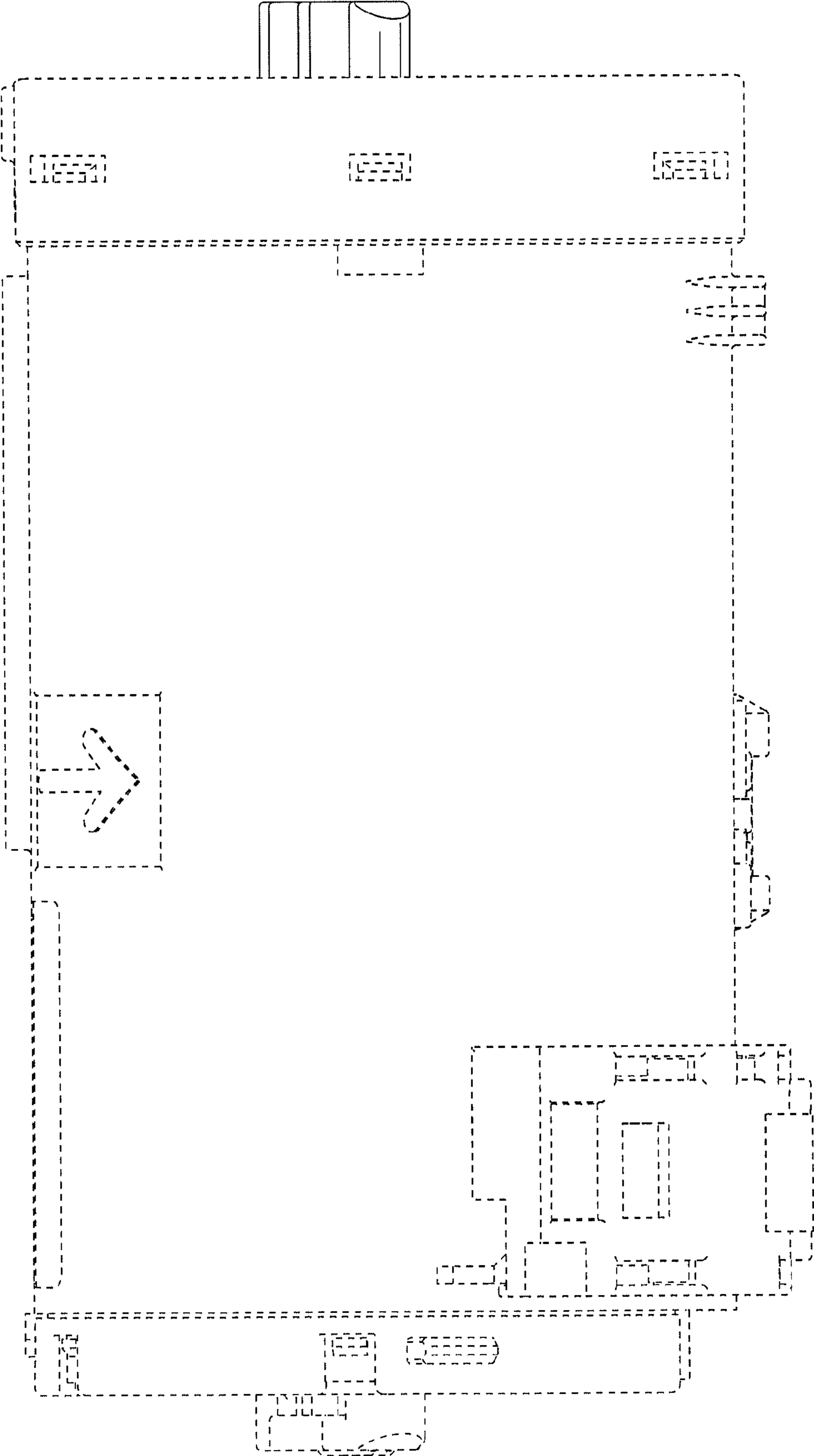


Fig. 6

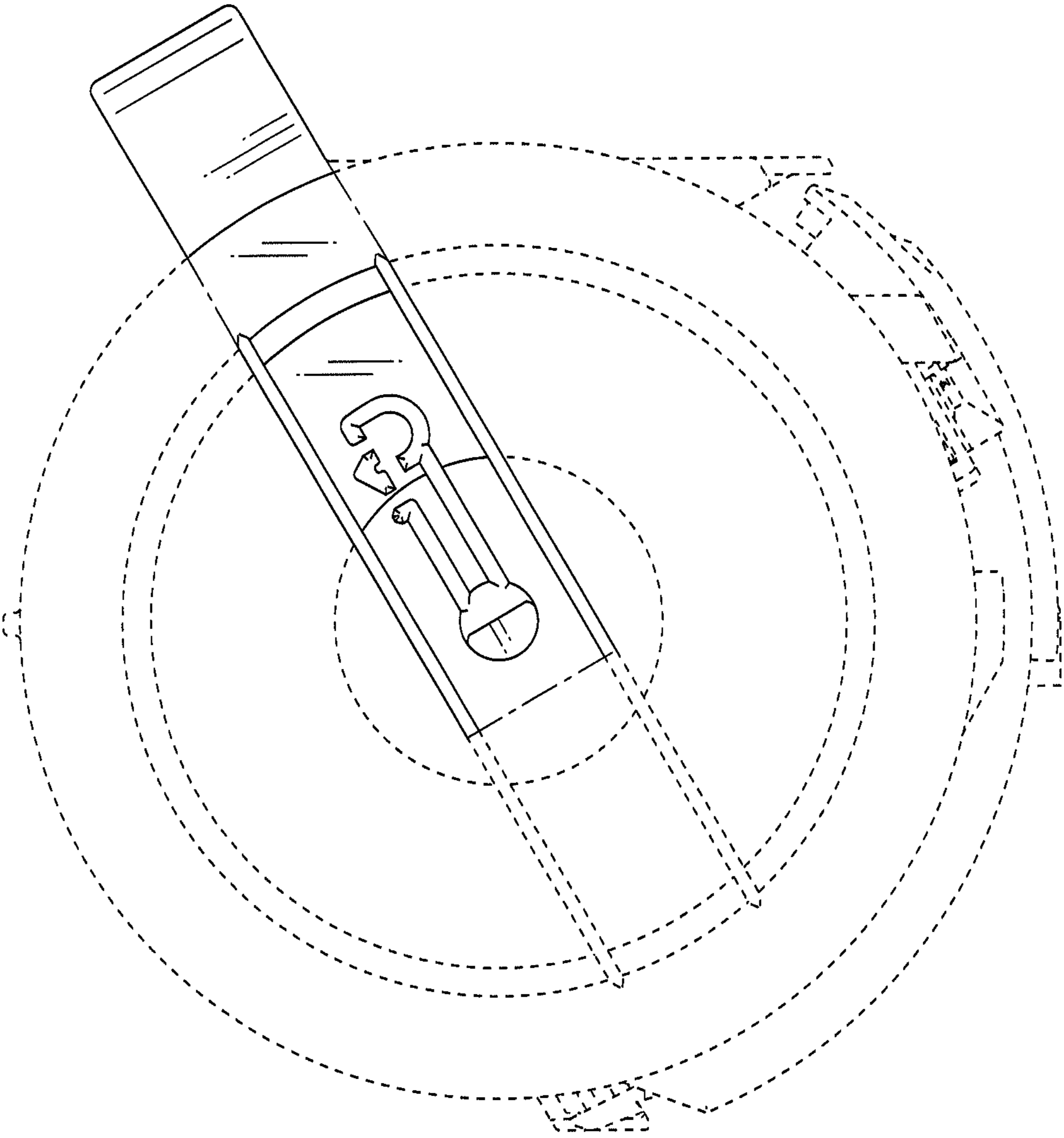


Fig. 7

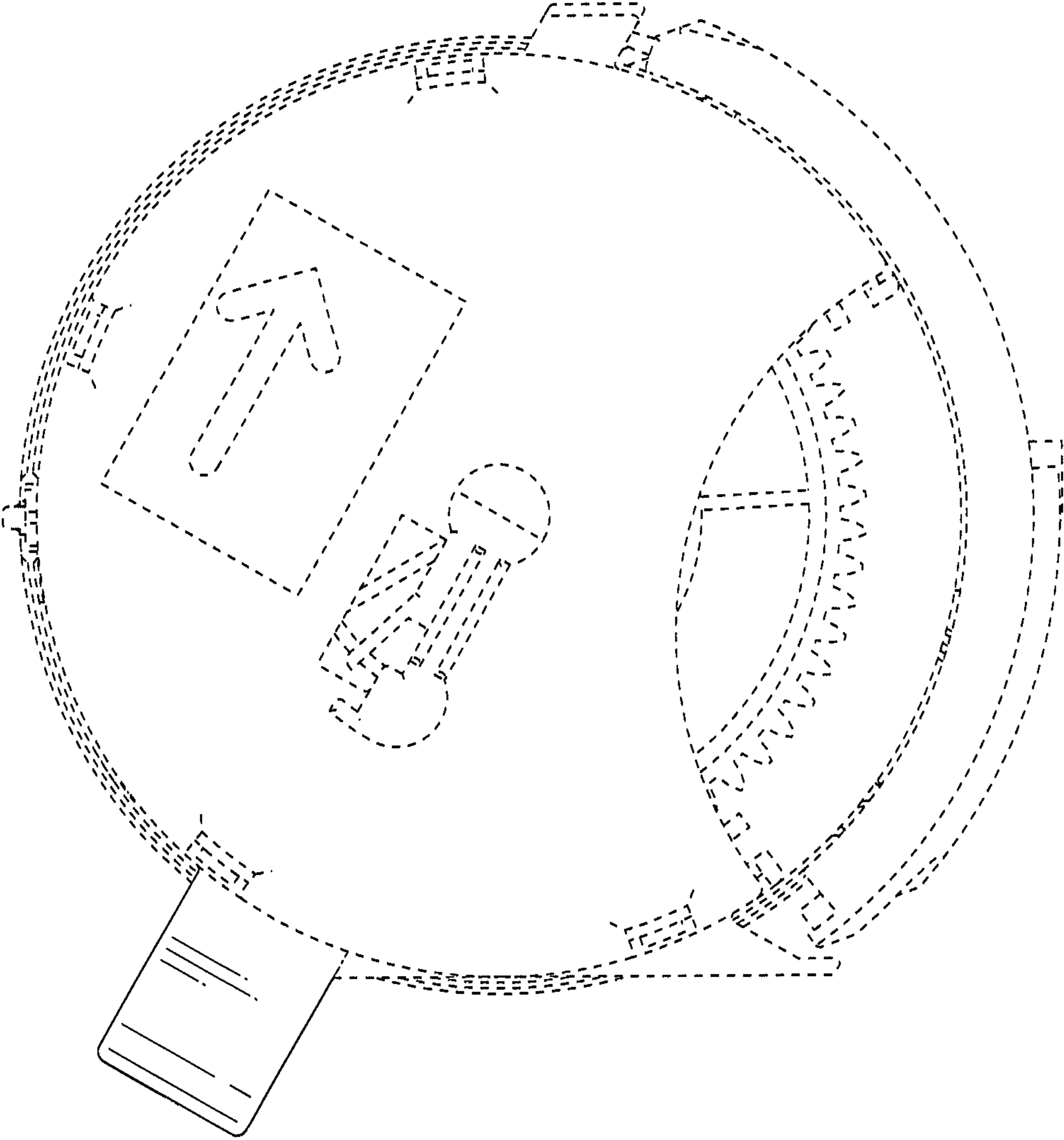




Fig. 8

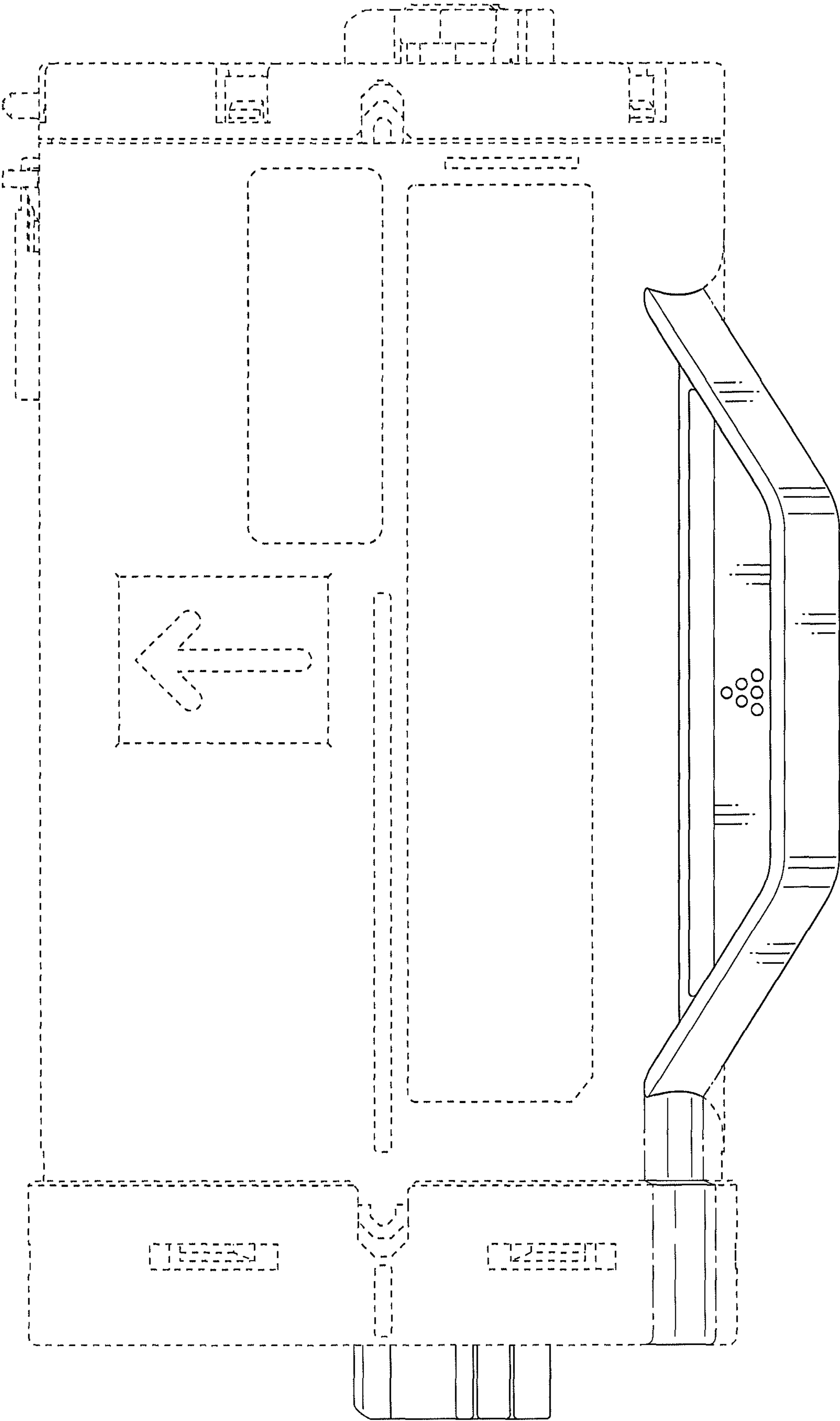


Fig. 9

