



US00D712458S

(12) **United States Design Patent**
Takiguchi et al.

(10) **Patent No.:** **US D712,458 S**

(45) **Date of Patent:** **** Sep. 2, 2014**

(54) **TONER CARTRIDGE**

(71) Applicant: **Fuji Xerox Co., Ltd.**, Tokyo (JP)

(72) Inventors: **Toshio Takiguchi**, Kanagawa (JP);
Takuji Matsumoto, Kanagawa (JP); **Iori Togu**, Kanagawa (JP); **Naofumi Murayama**, Kanagawa (JP); **Shigemasa Nakaya**, Kanagawa (JP)

(73) Assignee: **Fuji Xerox Co., Ltd.**, Tokyo (JP)

(**) Term: **14 Years**

(21) Appl. No.: **29/437,328**

(22) Filed: **Nov. 15, 2012**

(30) **Foreign Application Priority Data**

May 16, 2012 (JP) 2012-011375

(51) **LOC (10) Cl.** **16-03**

(52) **U.S. Cl.**
USPC **D18/43**

(58) **Field of Classification Search**
USPC D18/12, 36, 40, 43, 44, 56; D14/471;
347/49, 50, 86, 197, 222; 399/11, 106,
399/119, 120, 230, 258; 222/DIG. 1
See application file for complete search history.

(56) **References Cited**

U.S. PATENT DOCUMENTS

D365,846 S * 1/1996 Nishimura D18/43
D459,387 S * 6/2002 Tanda D18/43

D464,671 S * 10/2002 Tanda D18/43
D547,363 S * 7/2007 Kumazaki et al. D18/12
D585,485 S * 1/2009 Tanaka D18/43
D655,332 S * 3/2012 Fujii D18/43
D656,184 S * 3/2012 Iwamuro et al. D18/56
D658,228 S * 4/2012 Maeshima D18/43
D679,750 S * 4/2013 Fujii D18/43

* cited by examiner

Primary Examiner — Thomas Johannes

Assistant Examiner — Chelsea Sealey

(74) *Attorney, Agent, or Firm* — Sughrue Mion, PLLC

(57) **CLAIM**

The ornamental design for a toner cartridge, as shown and described.

DESCRIPTION

FIG. 1 is a top, front and left side perspective view of a toner cartridge showing our new design;
FIG. 2 is a bottom, rear and right side perspective view thereof;
FIG. 3 is a bottom, front and left side perspective view thereof;
FIG. 4 is a bottom, rear and left side perspective view thereof;
FIG. 5 is a front view thereof;
FIG. 6 is a rear view thereof;
FIG. 7 is a left side view thereof;
FIG. 8 is a right side view thereof;
FIG. 9 is a top plan view thereof; and,
FIG. 10 is a bottom view thereof.

1 Claim, 7 Drawing Sheets

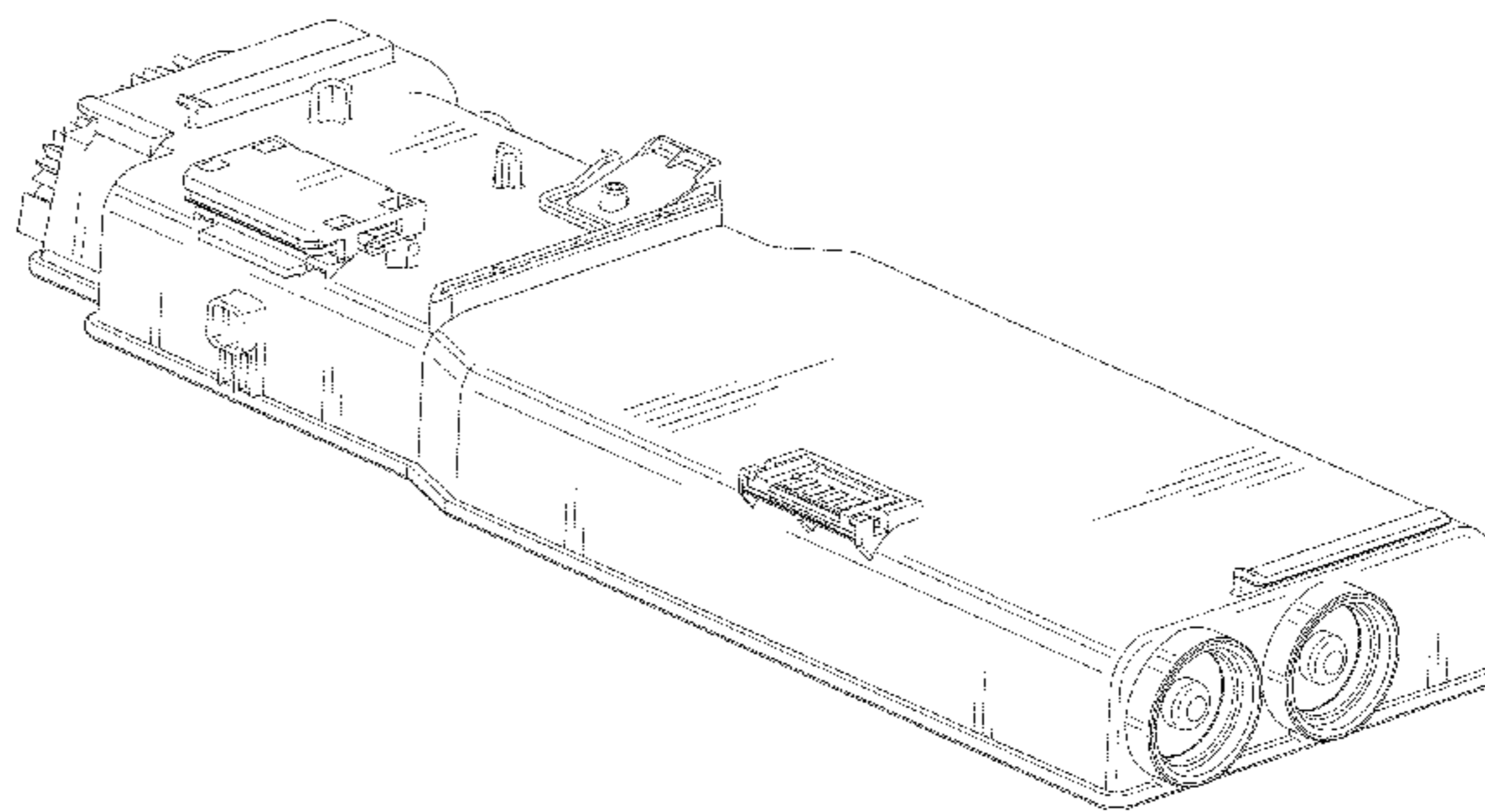
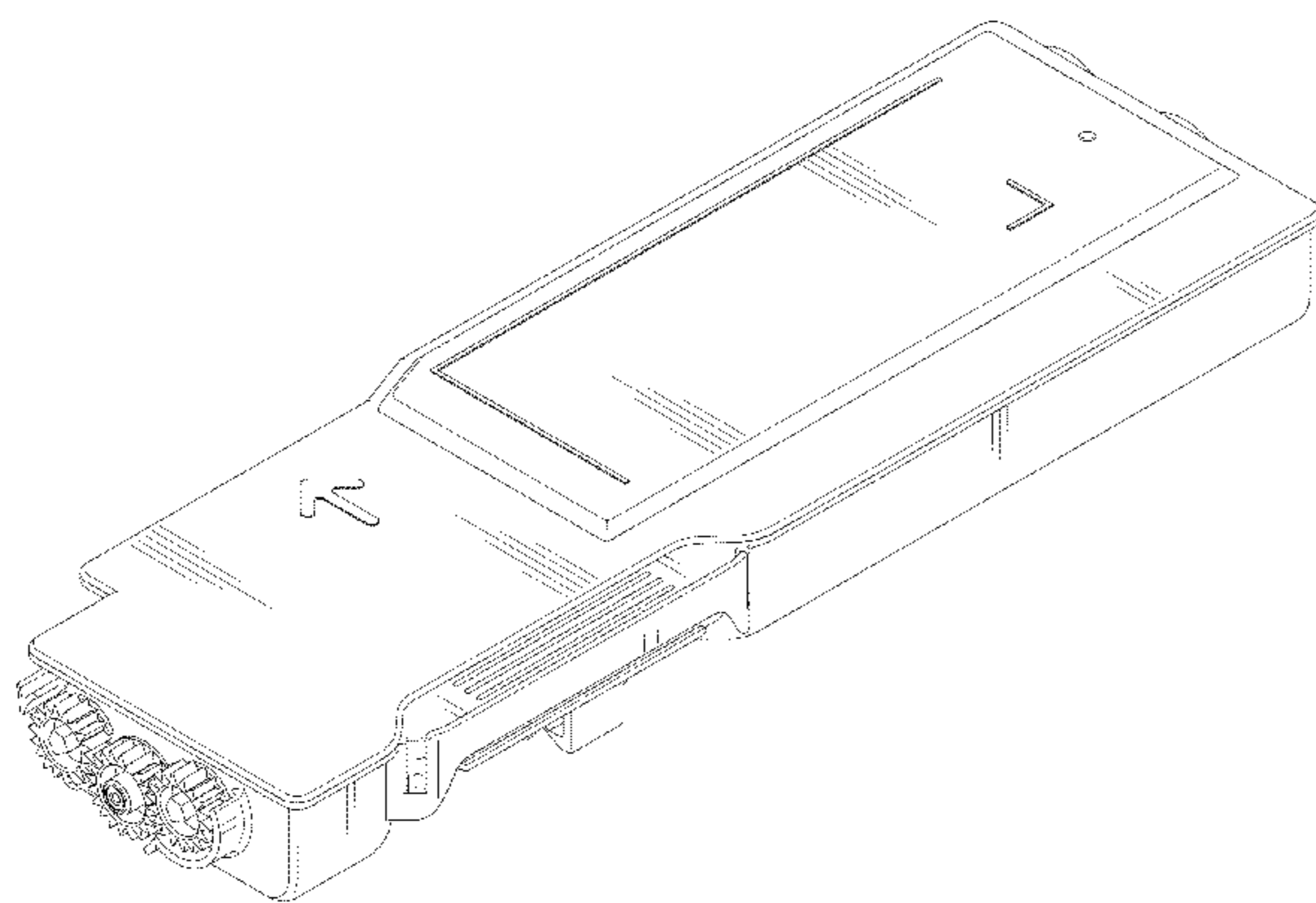


Fig. 1

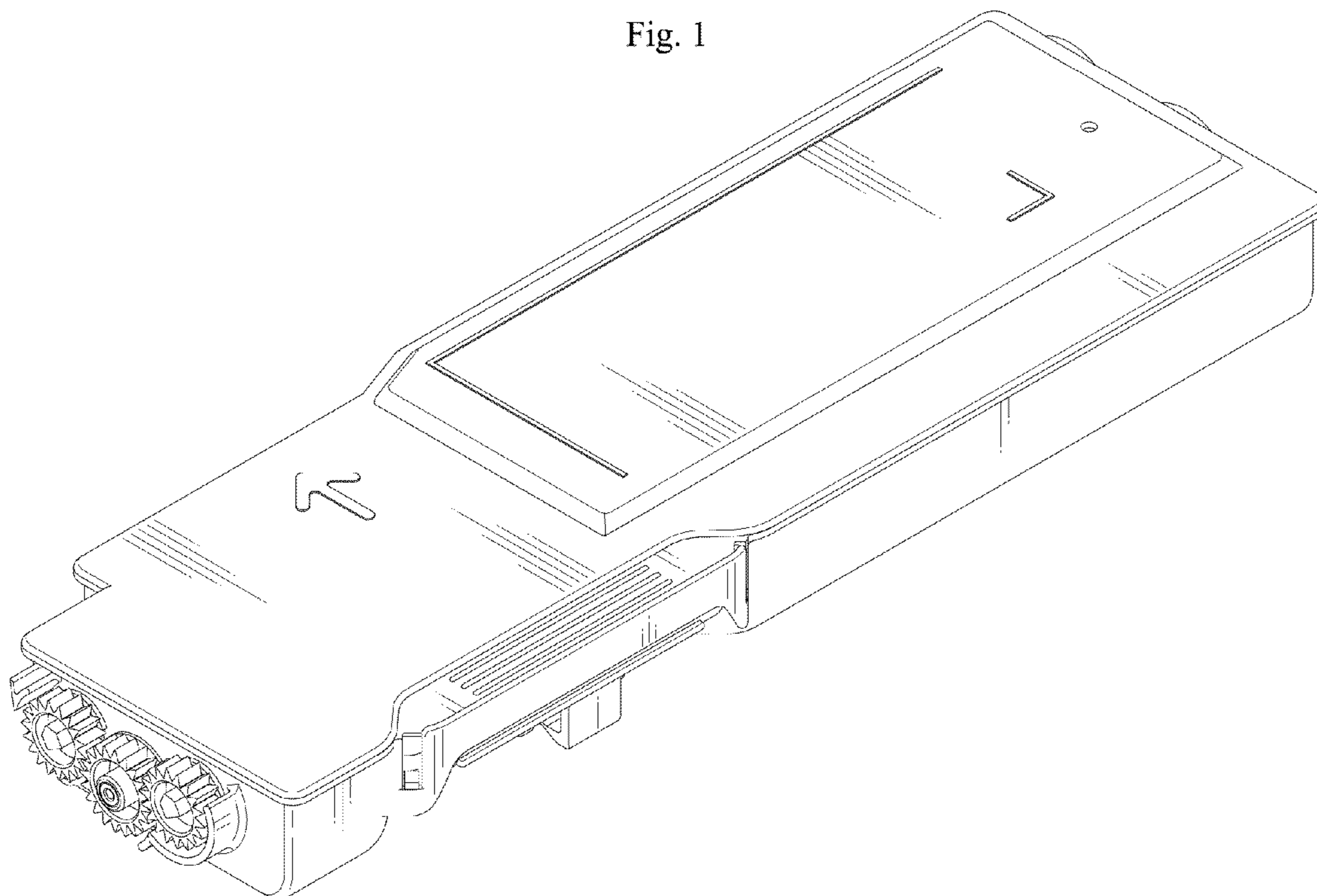


Fig. 2

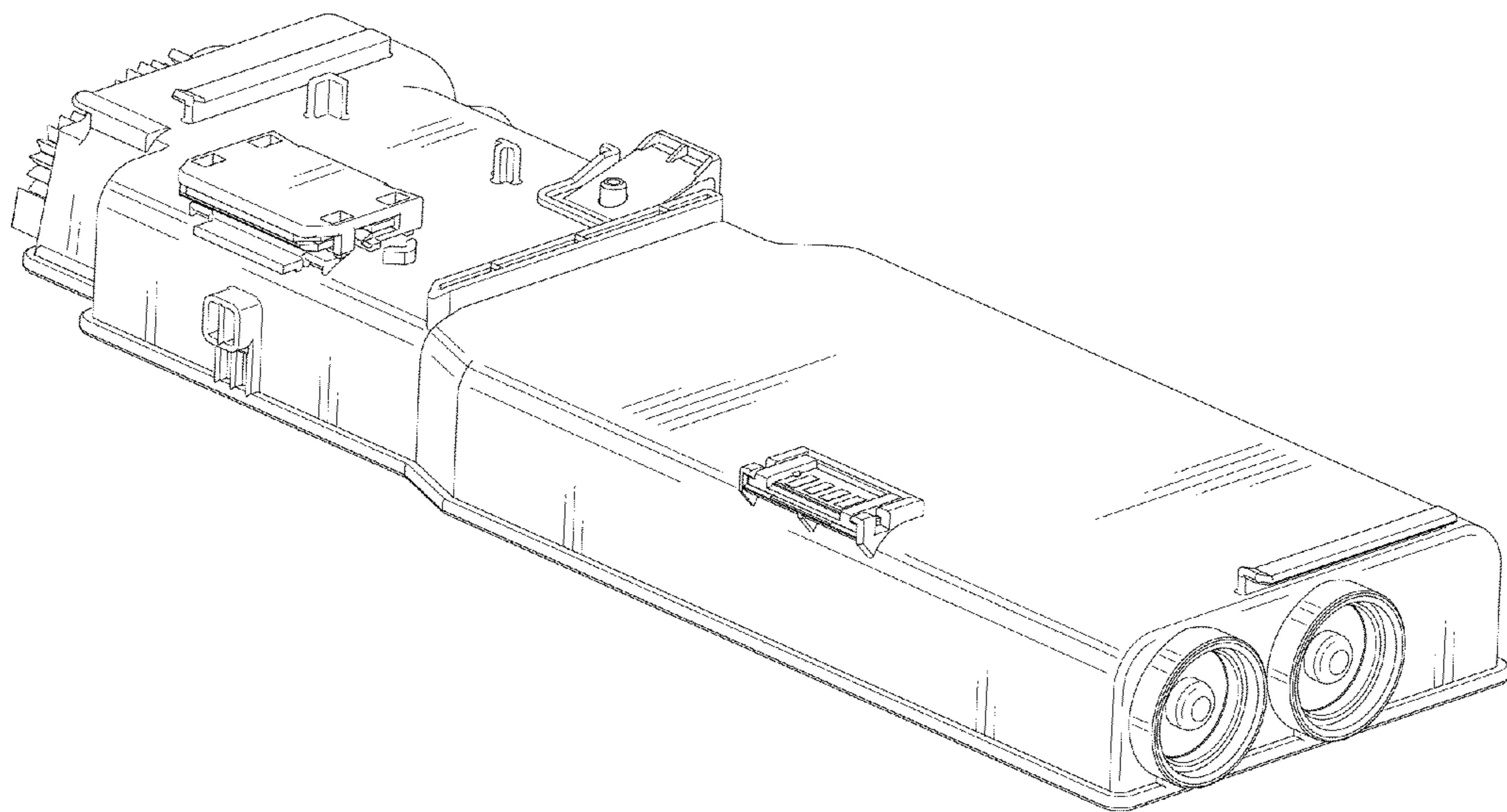


Fig. 3

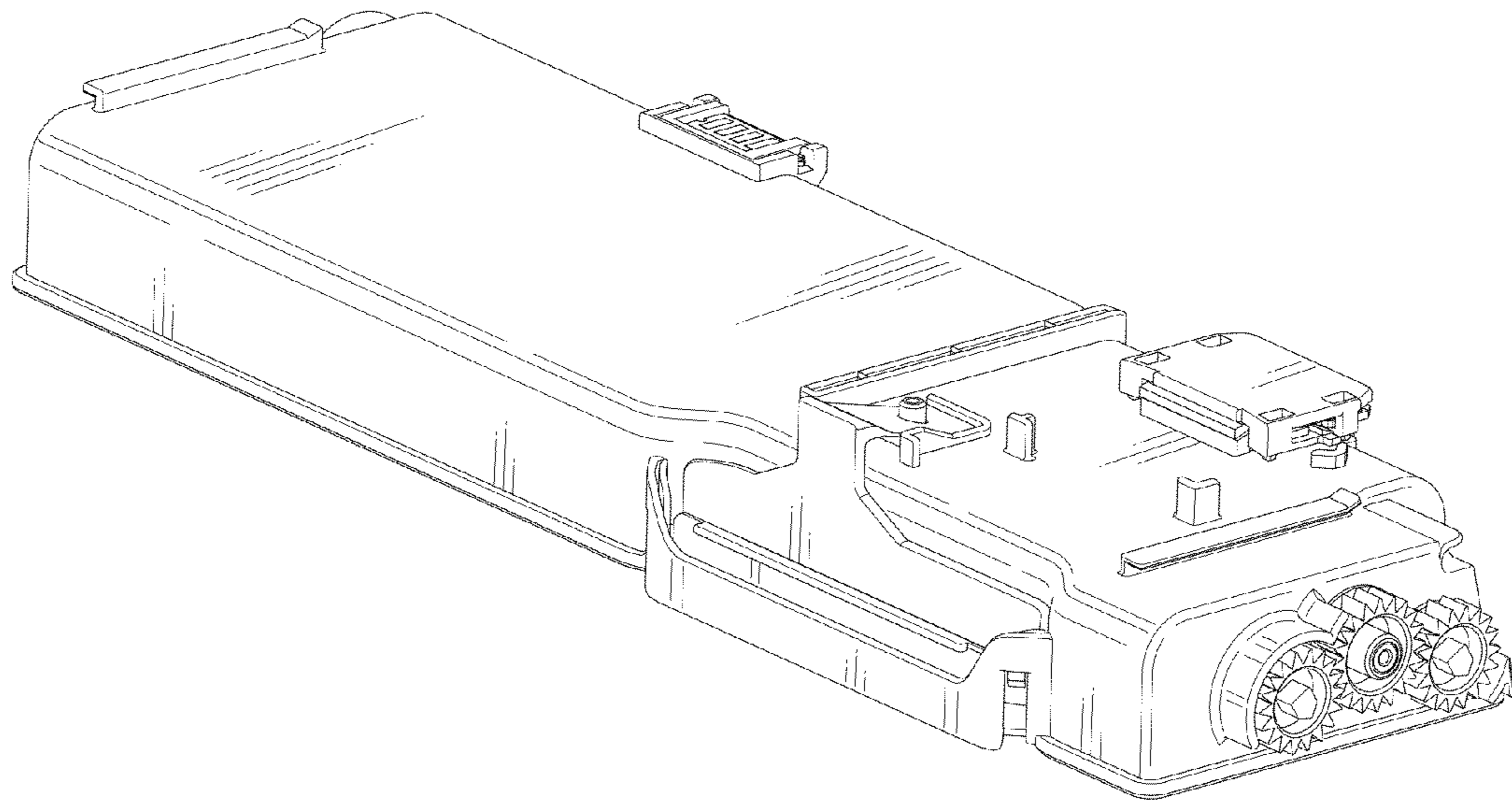


Fig. 4

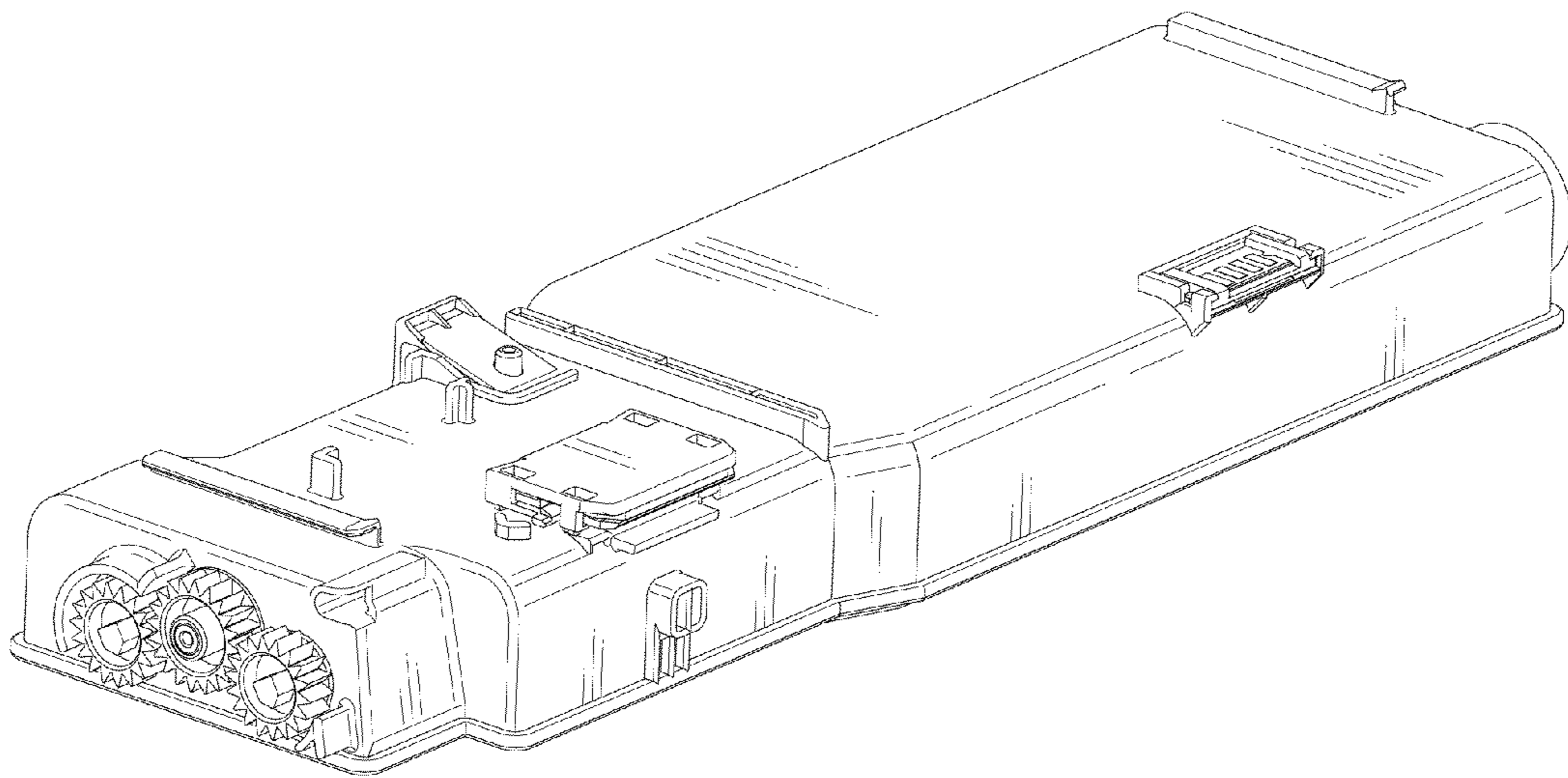


Fig. 5

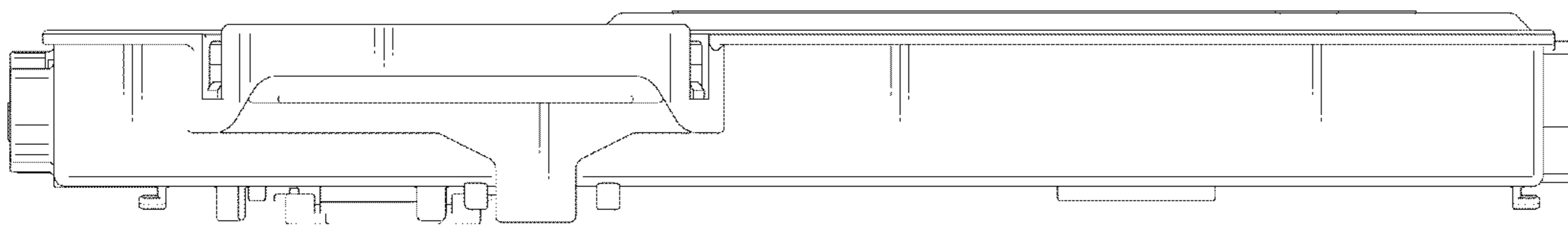


Fig. 6

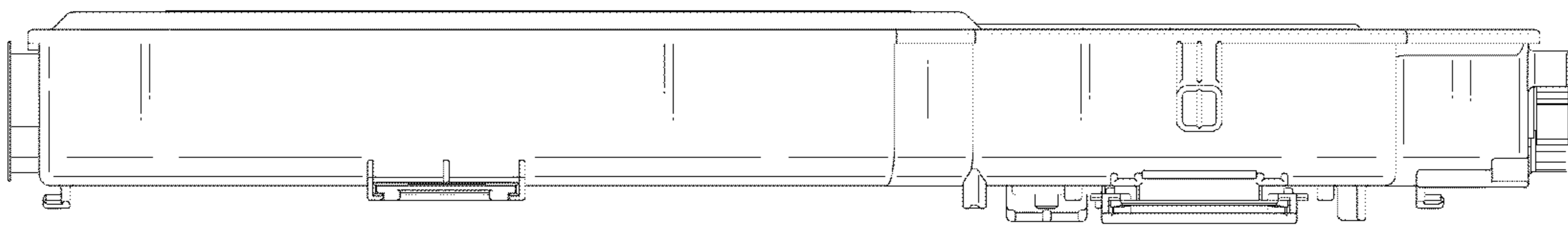


Fig. 7

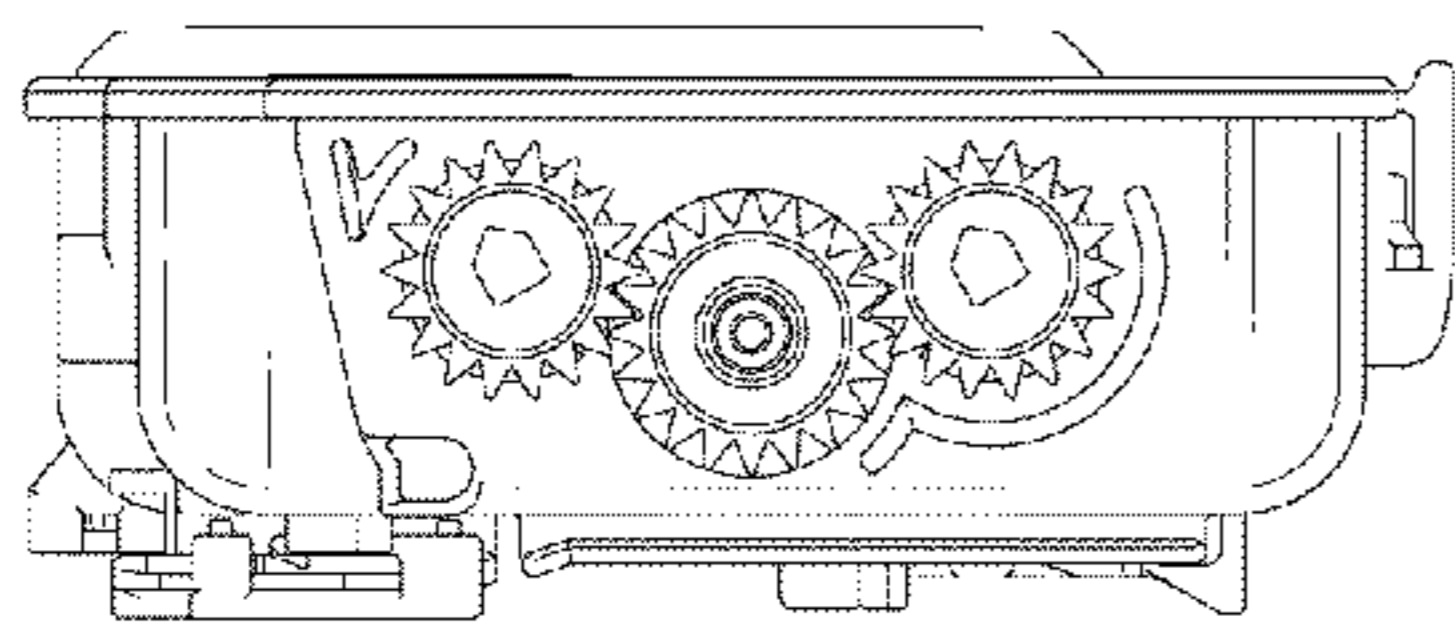


Fig. 8

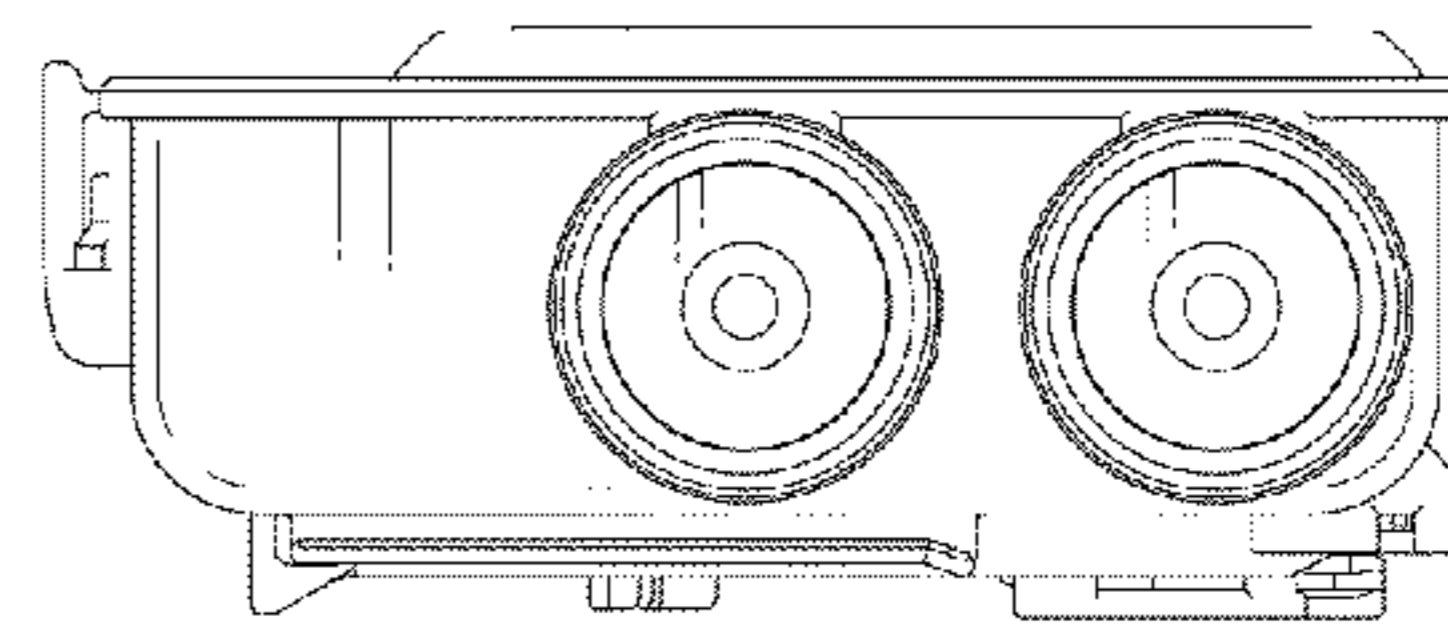


Fig. 9

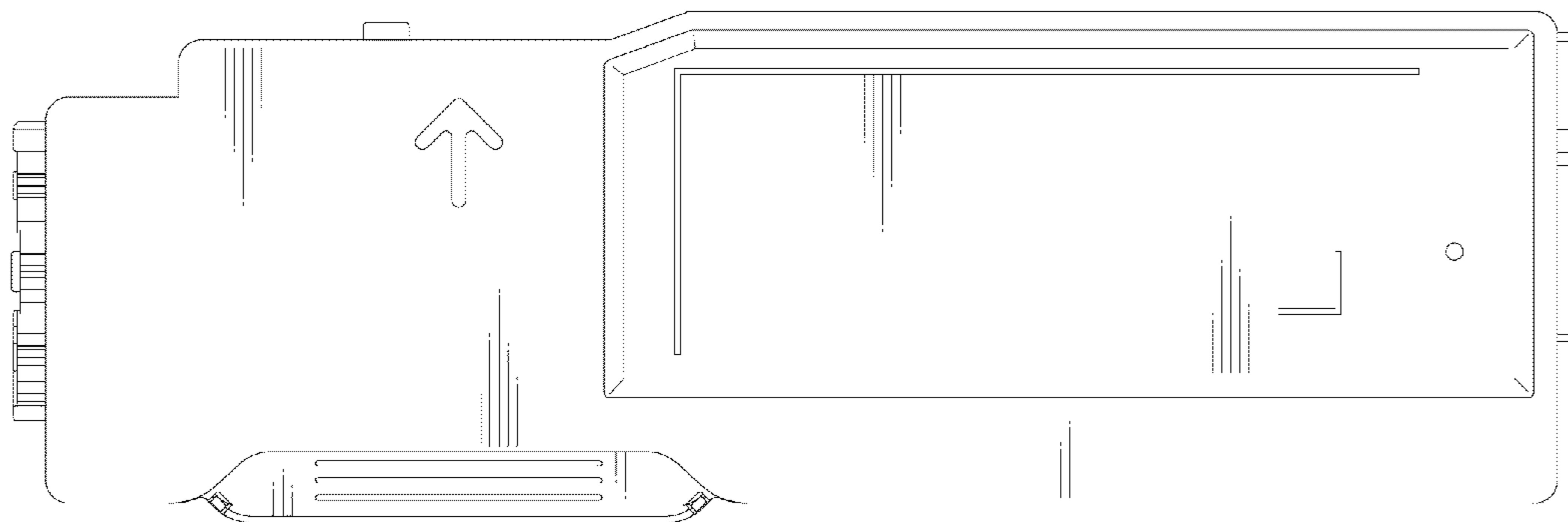


Fig. 10

