



US00D712455S

(12) **United States Design Patent**  
**Koshimori et al.**

(10) **Patent No.:** **US D712,455 S**

(45) **Date of Patent:** **\*\* Sep. 2, 2014**

(54) **TONER CARTRIDGE**

(71) Applicant: **Fuji Xerox Co., Ltd.**, Tokyo (JP)

(72) Inventors: **Kaunori Koshimori**, Kanagawa (JP);  
**Yuta Hoshino**, Kanagawa (JP)

(73) Assignee: **Fuji Xerox Co., Ltd.**, Tokyo (JP)

(\*\*) Term: **14 Years**

(21) Appl. No.: **29/437,308**

(22) Filed: **Nov. 15, 2012**

(30) **Foreign Application Priority Data**

May 22, 2012 (JP) ..... 2012-011909

(51) **LOC (10) Cl.** ..... **16-03**

(52) **U.S. Cl.**  
USPC ..... **D18/43**

(58) **Field of Classification Search**  
USPC ..... D18/12, 36, 40, 43, 44, 56; D14/471;  
347/49, 50, 86, 197, 222; 399/11, 106,  
399/119, 120, 230, 258; 222/DIG. 1  
See application file for complete search history.

(56) **References Cited**

**U.S. PATENT DOCUMENTS**

D240,201 S \* 6/1976 Avollo et al. .... D18/43  
D359,304 S \* 6/1995 Smith et al. .... D18/43  
D386,518 S \* 11/1997 Miyamoto et al. .... D18/43

D431,260 S \* 9/2000 Kohno et al. .... D18/43  
D530,360 S \* 10/2006 Isomura et al. .... D18/43  
D538,850 S \* 3/2007 Choi et al. .... D18/56  
D546,874 S \* 7/2007 Hakukawa ..... D18/43  
D559,902 S \* 1/2008 Park et al. .... D18/56  
D583,862 S \* 12/2008 Park et al. .... D18/56  
D597,593 S \* 8/2009 Jeon et al. .... D18/43  
D636,813 S \* 4/2011 Kikuchi et al. .... D18/43  
D652,074 S \* 1/2012 Sakai et al. .... D18/43  
D674,005 S \* 1/2013 Teramura et al. .... D18/43

\* cited by examiner

*Primary Examiner* — Thomas Johannes

*Assistant Examiner* — Chelsea Sealey

(74) *Attorney, Agent, or Firm* — Sughrue Mion, PLLC

(57) **CLAIM**

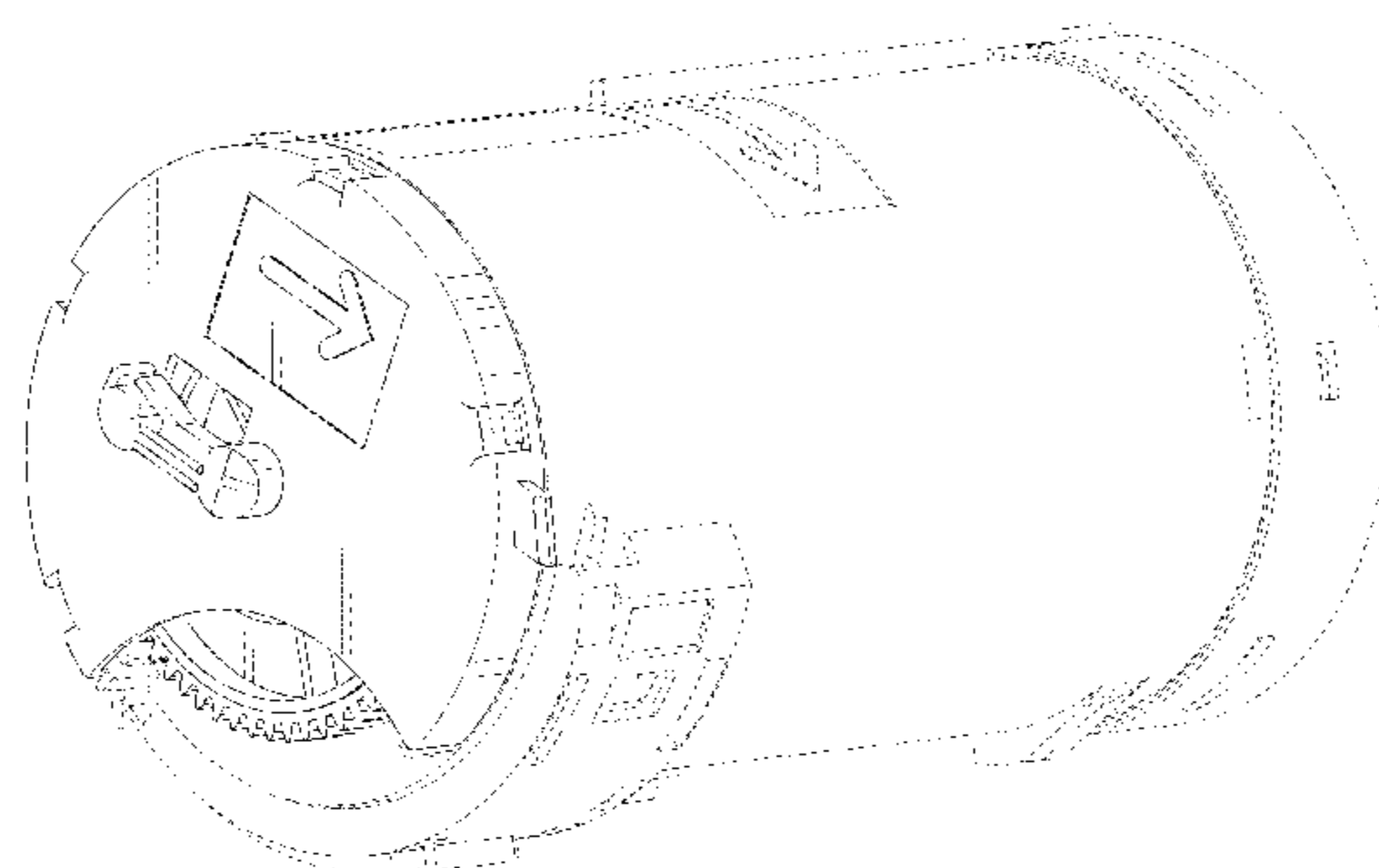
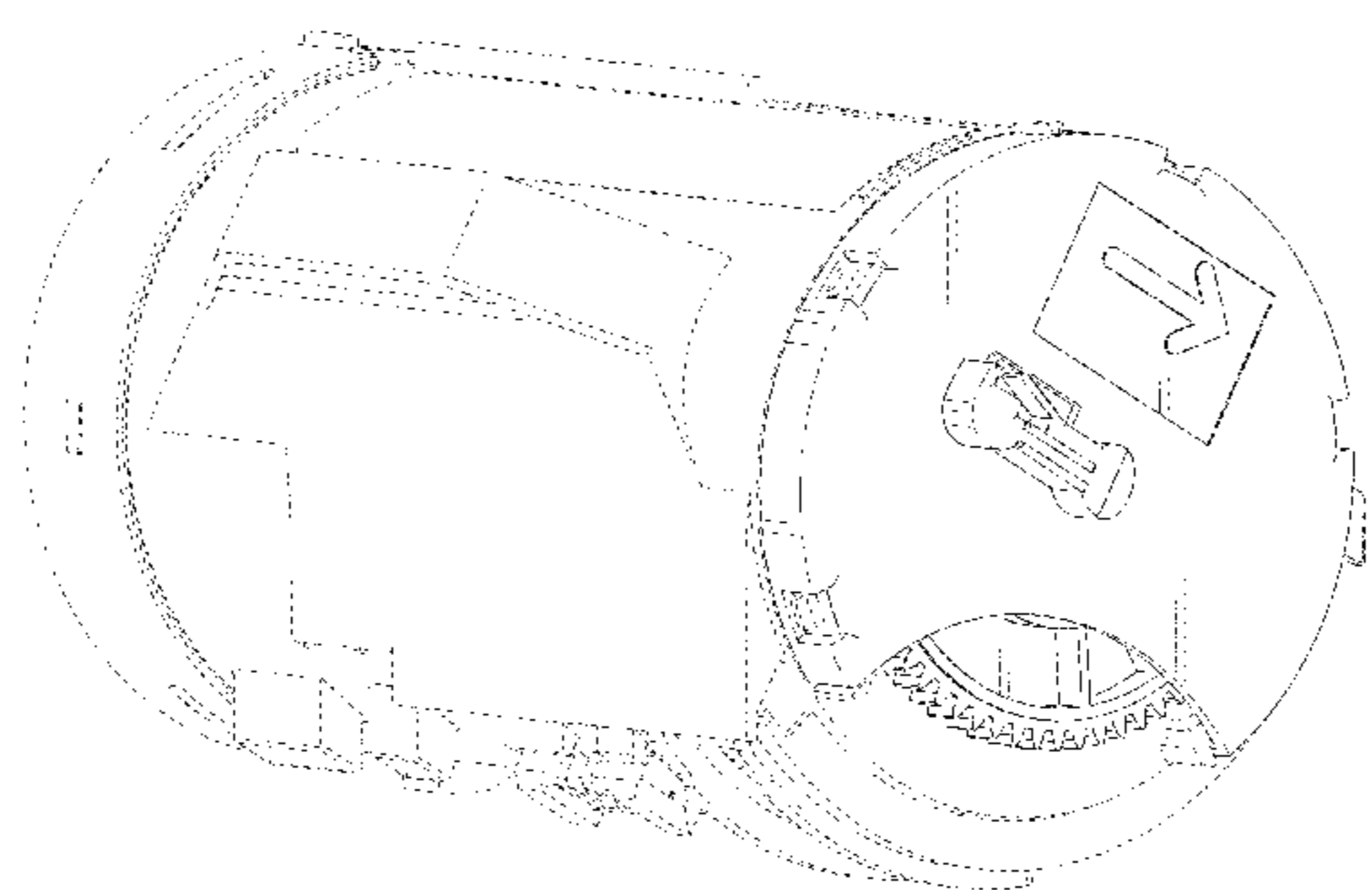
The ornamental design for a toner cartridge, as shown and described.

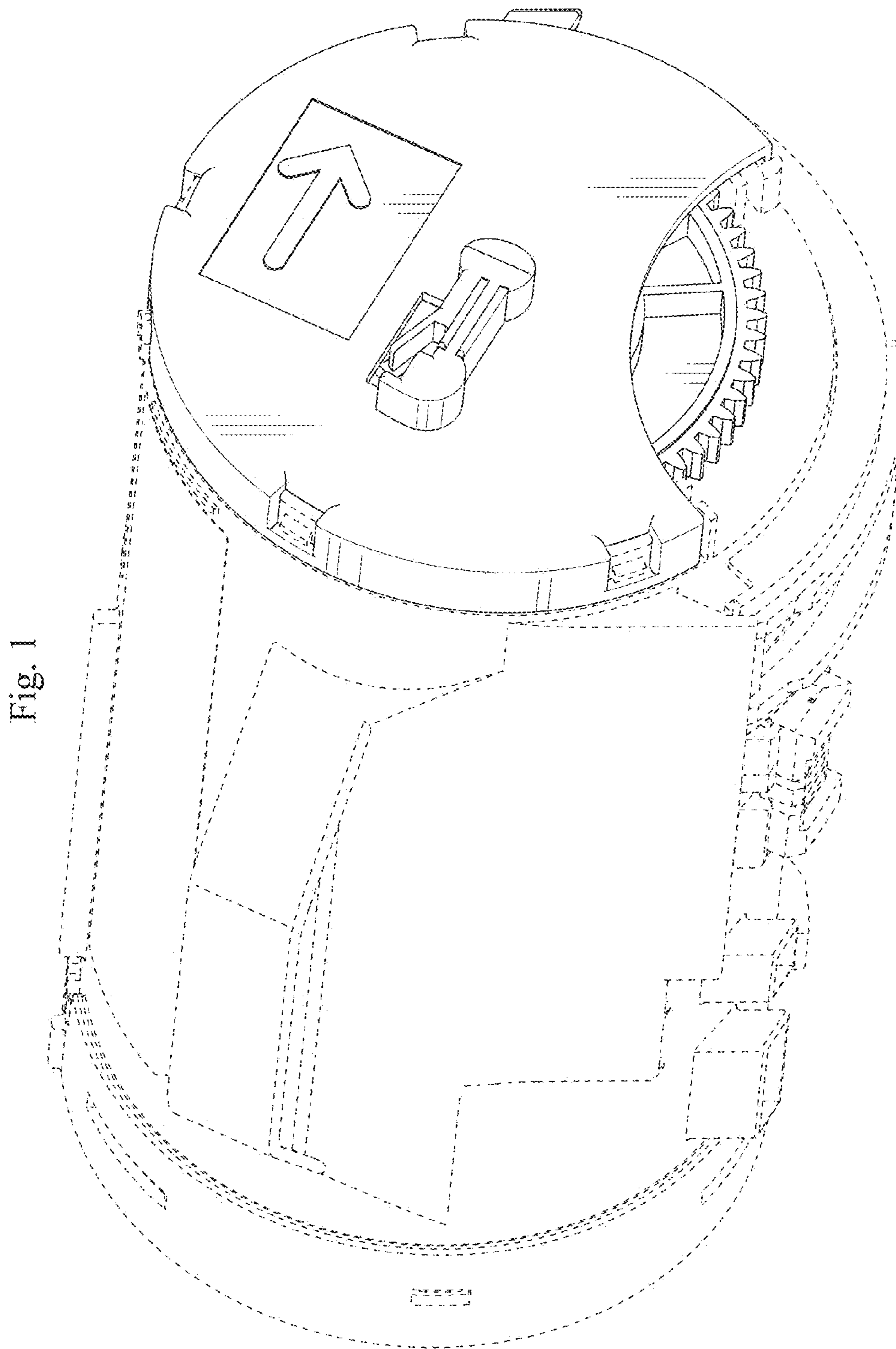
**DESCRIPTION**

FIG. 1 is a top, front and right side perspective view of a toner cartridge showing our new design;  
FIG. 2 is a top, rear and right side perspective view thereof;  
FIG. 3 is a front view thereof;  
FIG. 4 is a rear view thereof;  
FIG. 5 is a left side view thereof;  
FIG. 6 is a right side view thereof;  
FIG. 7 is a top plan view thereof; and,  
FIG. 8 is a bottom view thereof.

The portions of the article in broken line indicate unclaimed subject matter and form no part of the claimed design.

**1 Claim, 8 Drawing Sheets**





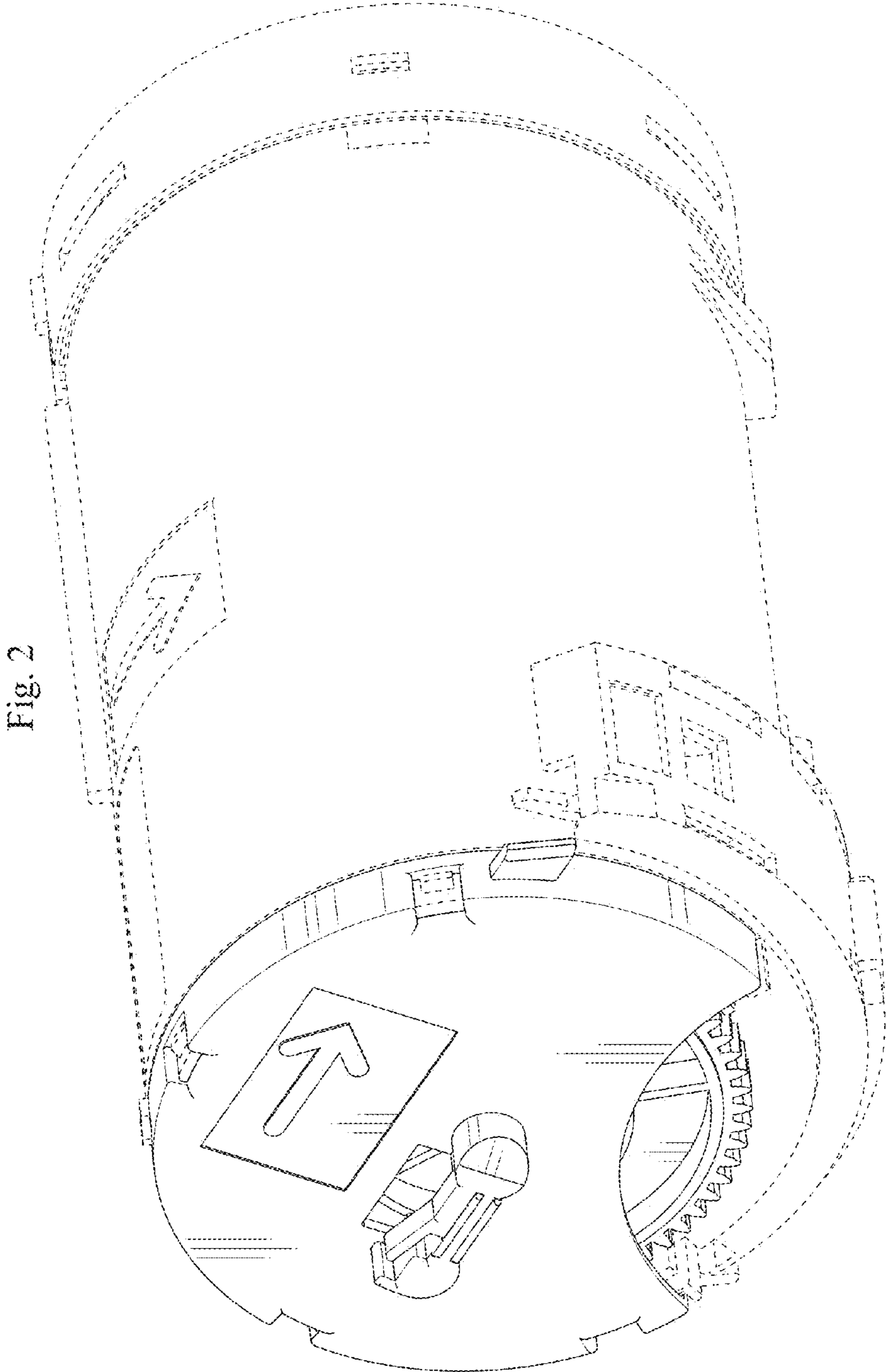
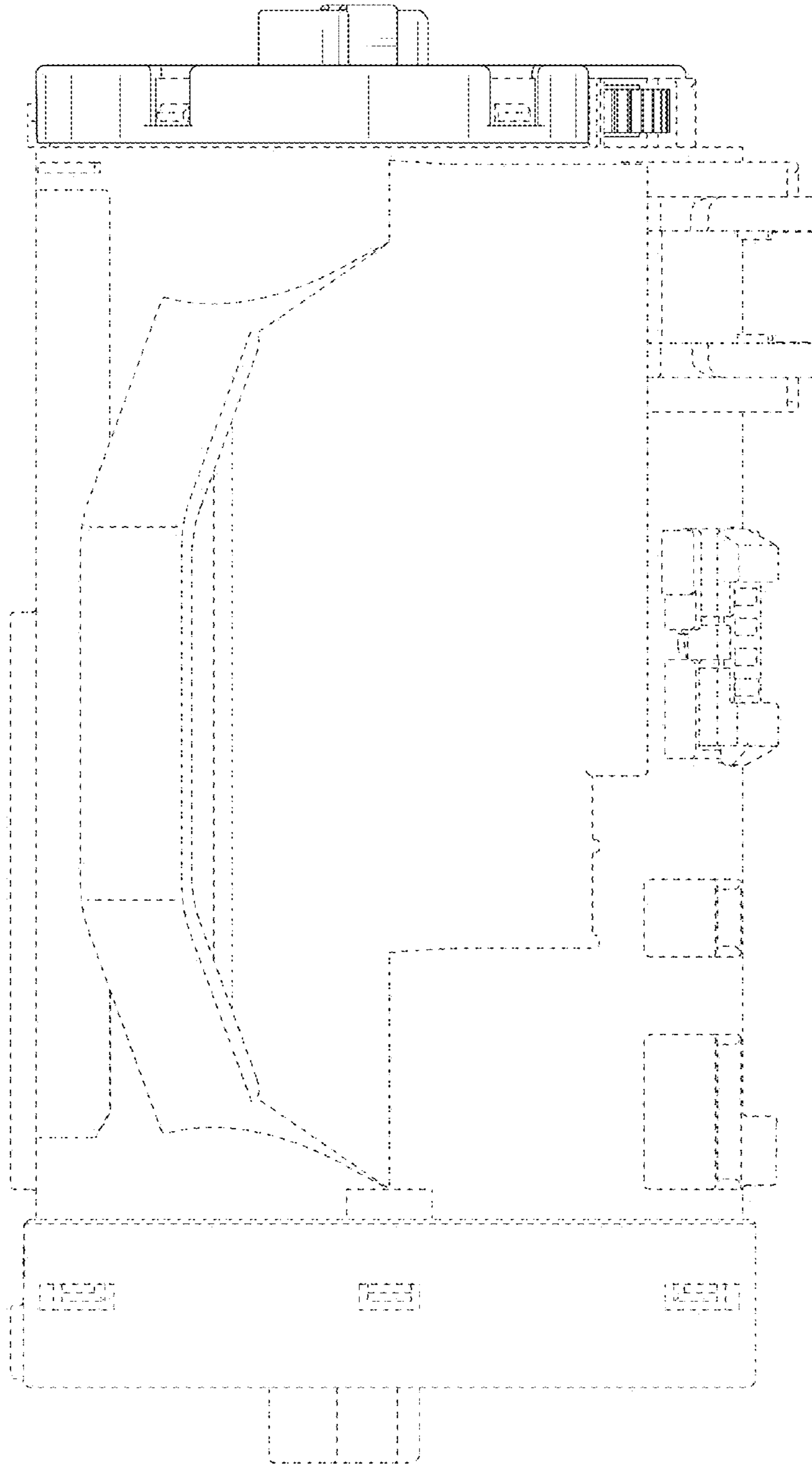


Fig. 2

Fig. 3



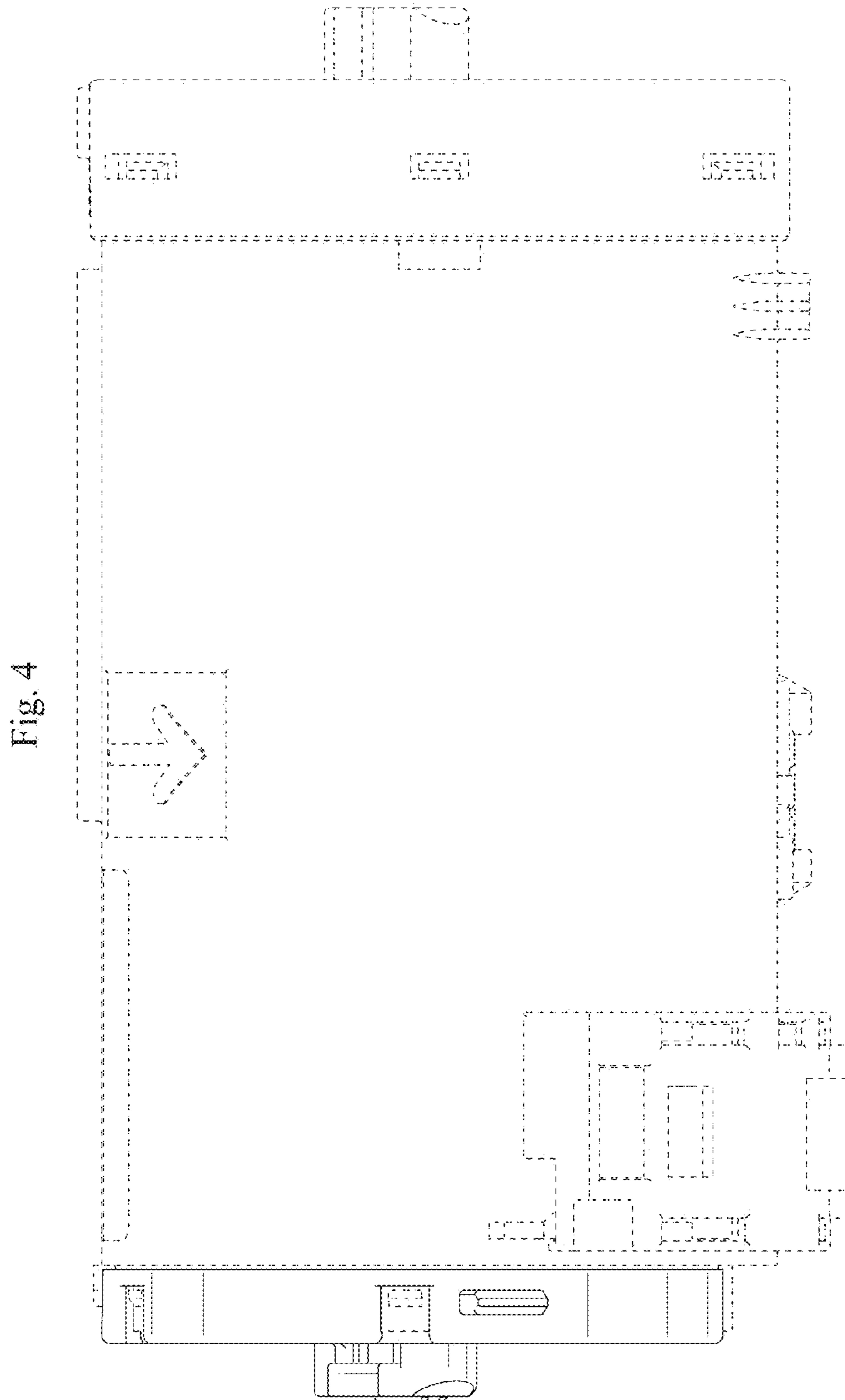


Fig. 5

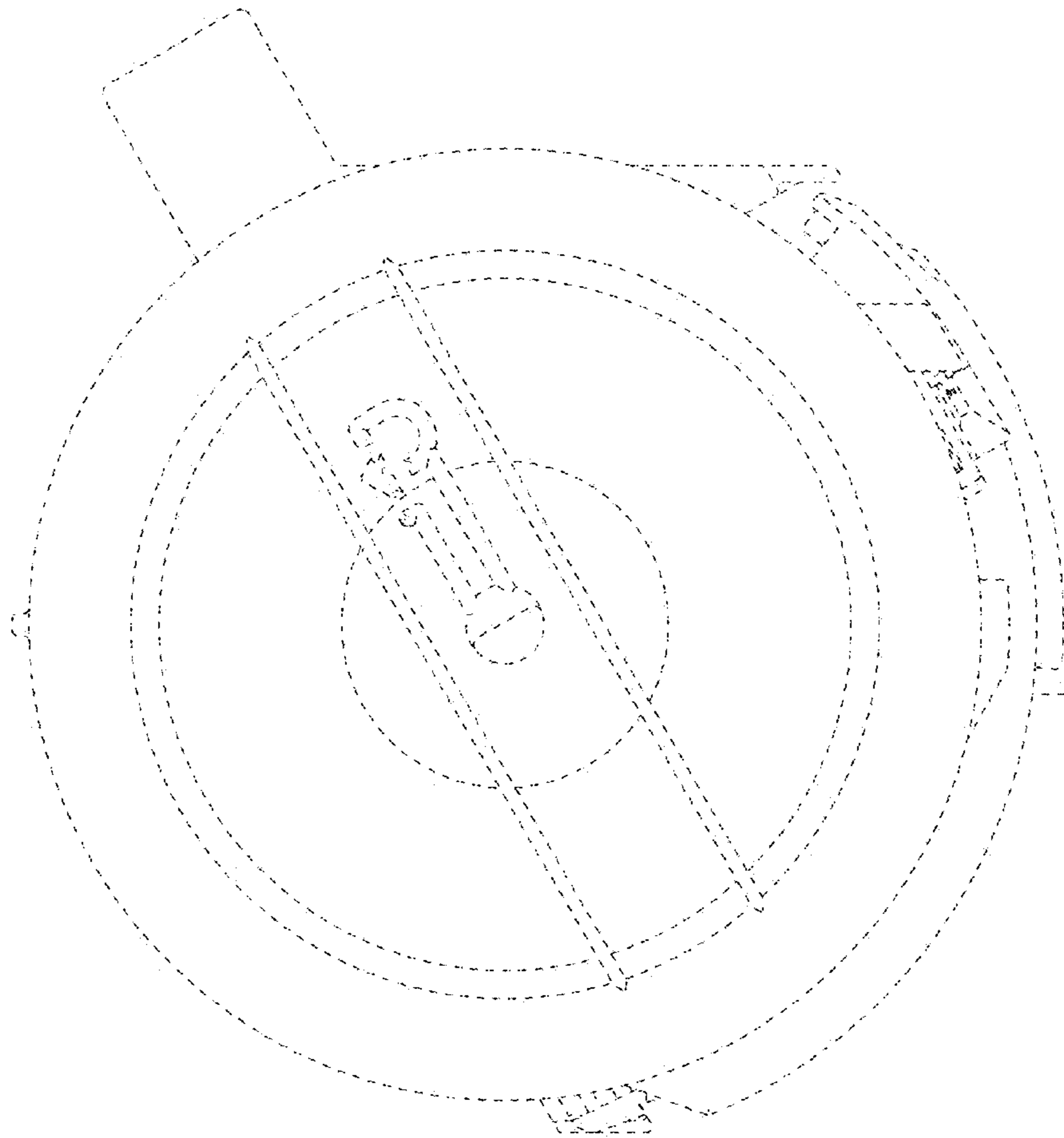
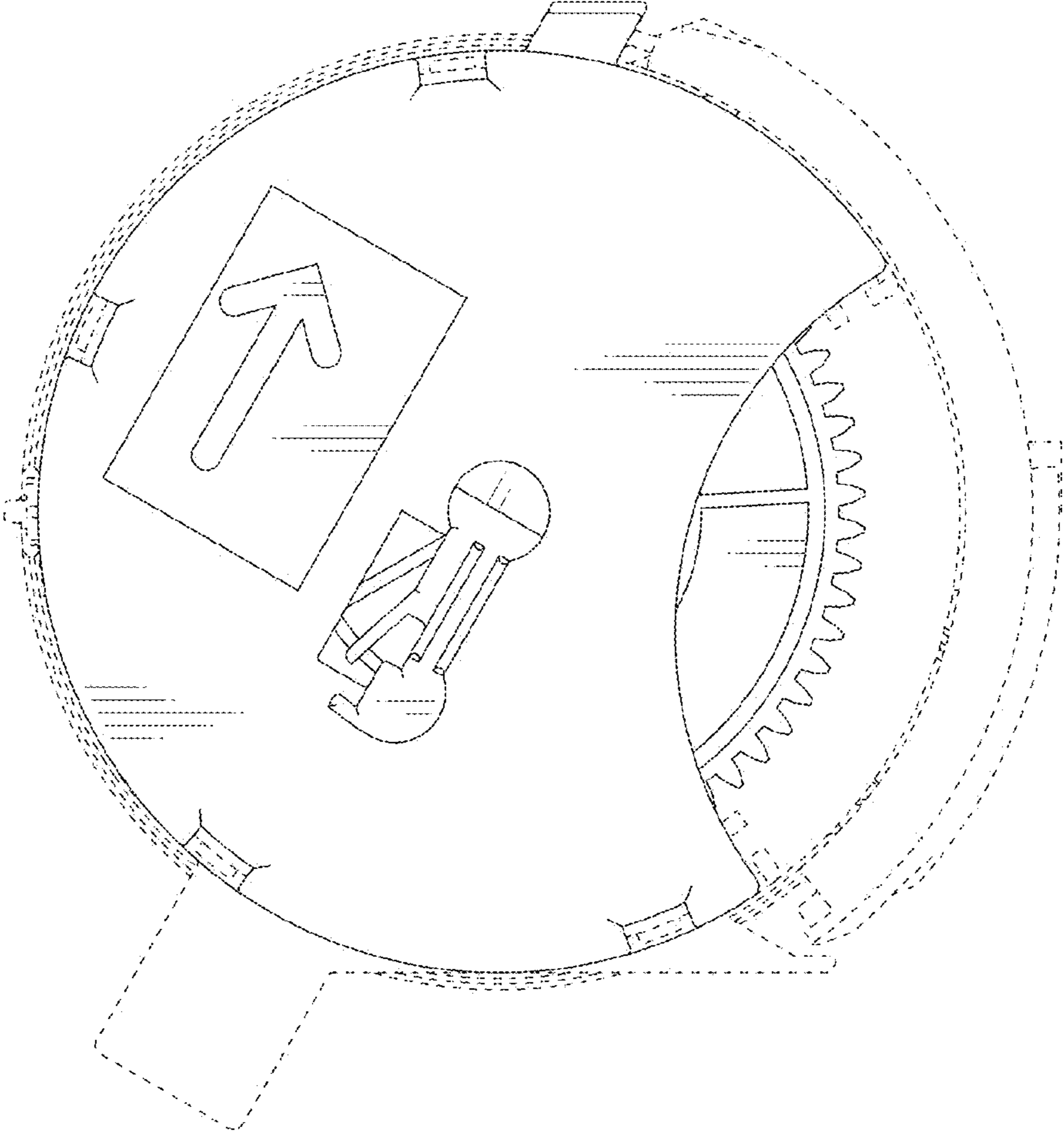


Fig. 6



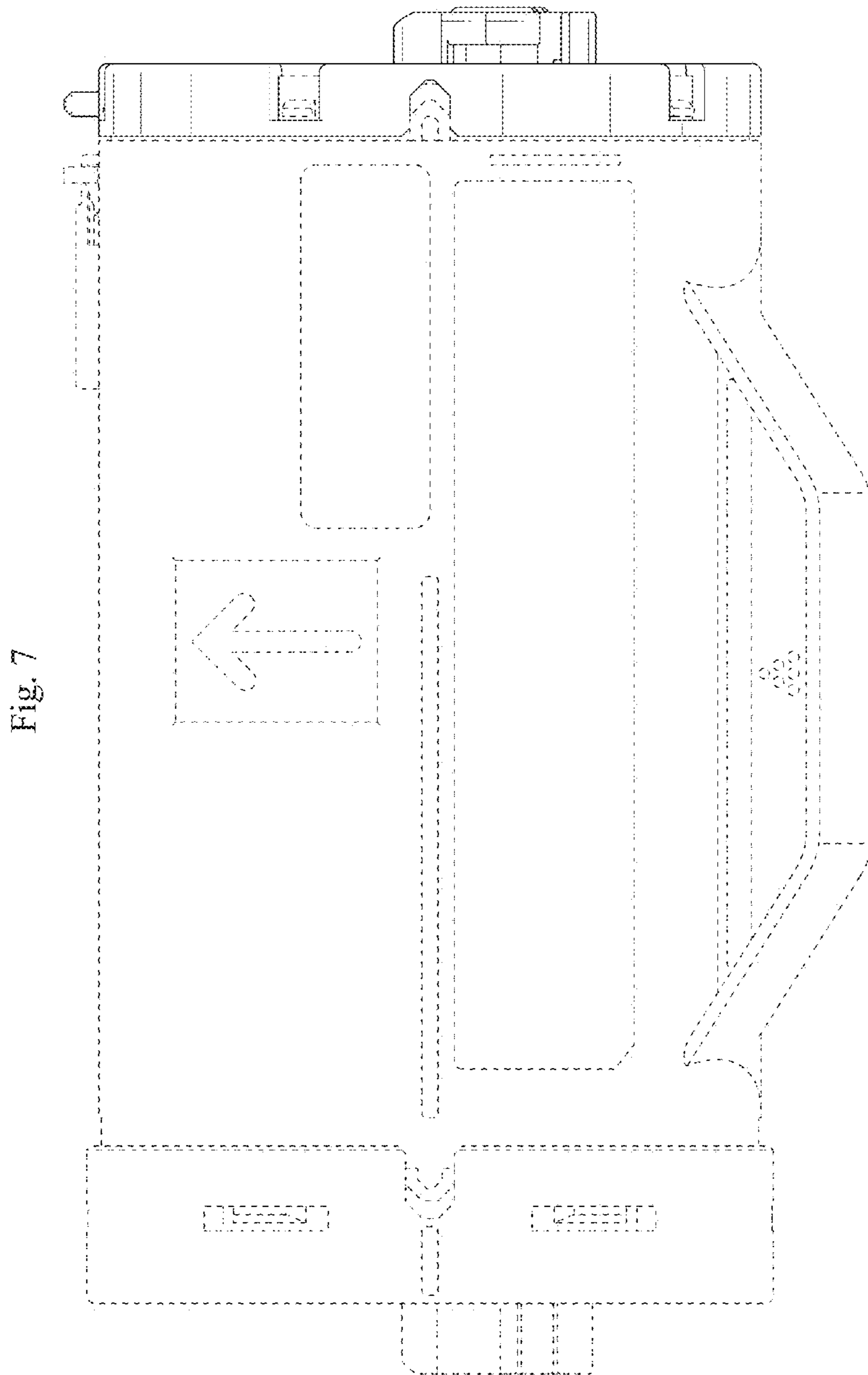


Fig. 7



Fig. 8

