



US00D712453S

(12) **United States Design Patent**
Mewha et al.

(10) **Patent No.:** **US D712,453 S**
(45) **Date of Patent:** **** Sep. 2, 2014**

(54) **PAIR OF EYEGLASS FRAME TEMPLES**
(75) Inventors: **Richard Mewha**, New York, NY (US);
Rick Nelson, Blue Springs, MO (US)
(73) Assignee: **Incite International, Inc.**, Blue Springs,
MO (US)

D608,817 S * 1/2010 Miklitarian D16/326
D637,644 S * 5/2011 Gonzalez D16/326
D640,313 S * 6/2011 Sheldon D16/326
D658,705 S * 5/2012 Anderl D16/326
D667,866 S * 9/2012 Lombardi et al. D16/326
D675,246 S * 1/2013 Tabacchi D16/323

* cited by examiner

(**) Term: **14 Years**

Primary Examiner — Robert M Spear
Assistant Examiner — Eliza Bennett-Hattan

(21) Appl. No.: **29/431,948**

(74) *Attorney, Agent, or Firm* — Cozen O'Connor

(22) Filed: **Sep. 12, 2012**

(51) **LOC (10) Cl.** **16-06**

(52) **U.S. Cl.**
USPC **D16/335**

(58) **Field of Classification Search**
USPC D14/330, 202, 372, 205; D16/100, 341,
D16/338, 323, 309, 336, 326, 325, 235, 327,
D16/330, 136, 217, 312, 313, 340, 339,
D16/101; D8/24, 25, 16, 86, 94, 307, 308;
D24/157, 110.2; D29/105-107, 109;
455/344; 351/153, 158, 243; 348/51,
348/53; 349/67, 11; 2/426, 6.3, 427, 428,
2/430, 431, 432, 434, 435, 437, 439, 447,
2/452

See application file for complete search history.

(56) **References Cited**

U.S. PATENT DOCUMENTS

D207,127 S * 3/1967 Simpson D16/336
D552,156 S * 10/2007 Fuchs D16/326
D568,367 S * 5/2008 Corcagnani D16/326
D569,894 S * 5/2008 Corcagnani D16/326

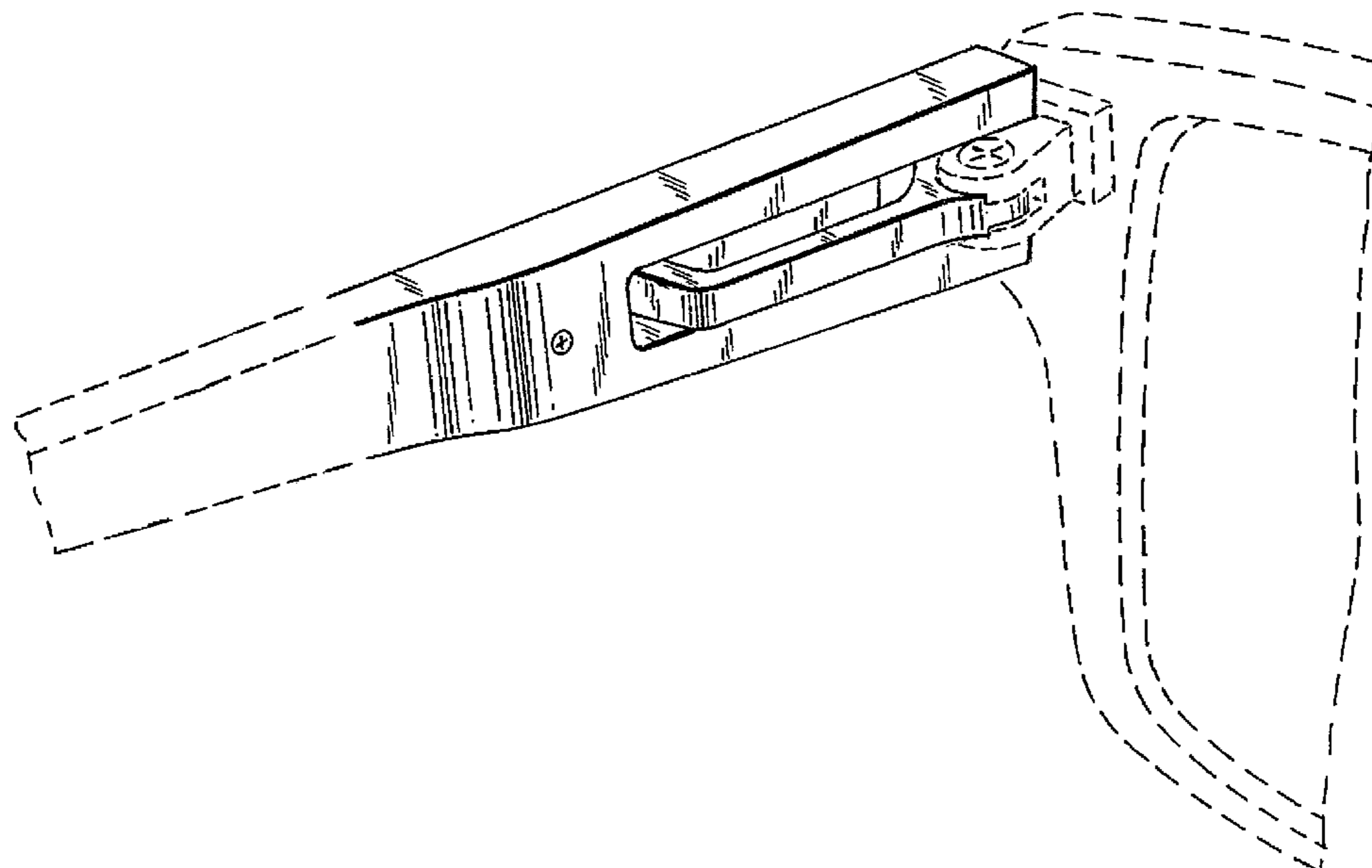
(57) **CLAIM**

The ornamental design for an pair of eyeglass frame temples,
as shown and described.

DESCRIPTION

FIG. 1 is a top, perspective top view of an eyeglass frame in
accordance with the present invention;
FIG. 2 is a side view of the left pair of eyeglass frame temples
taken from the inside of FIG. 1;
FIG. 3 is a top view of the left pair of eyeglass frame temples
of FIG. 1;
FIG. 4 is a bottom view of the left pair of eyeglass frame
temples of FIG. 1;
FIG. 5 is a close-up side view of the outside of the right pair
of eyeglass frame temples of FIG. 1; and,
FIG. 6 is a close-up side view of an inside of the right pair of
eyeglass frame temples of FIG. 1.
The features shown in dashed lines depict environment and do
not constitute a part of the claimed design.

1 Claim, 4 Drawing Sheets



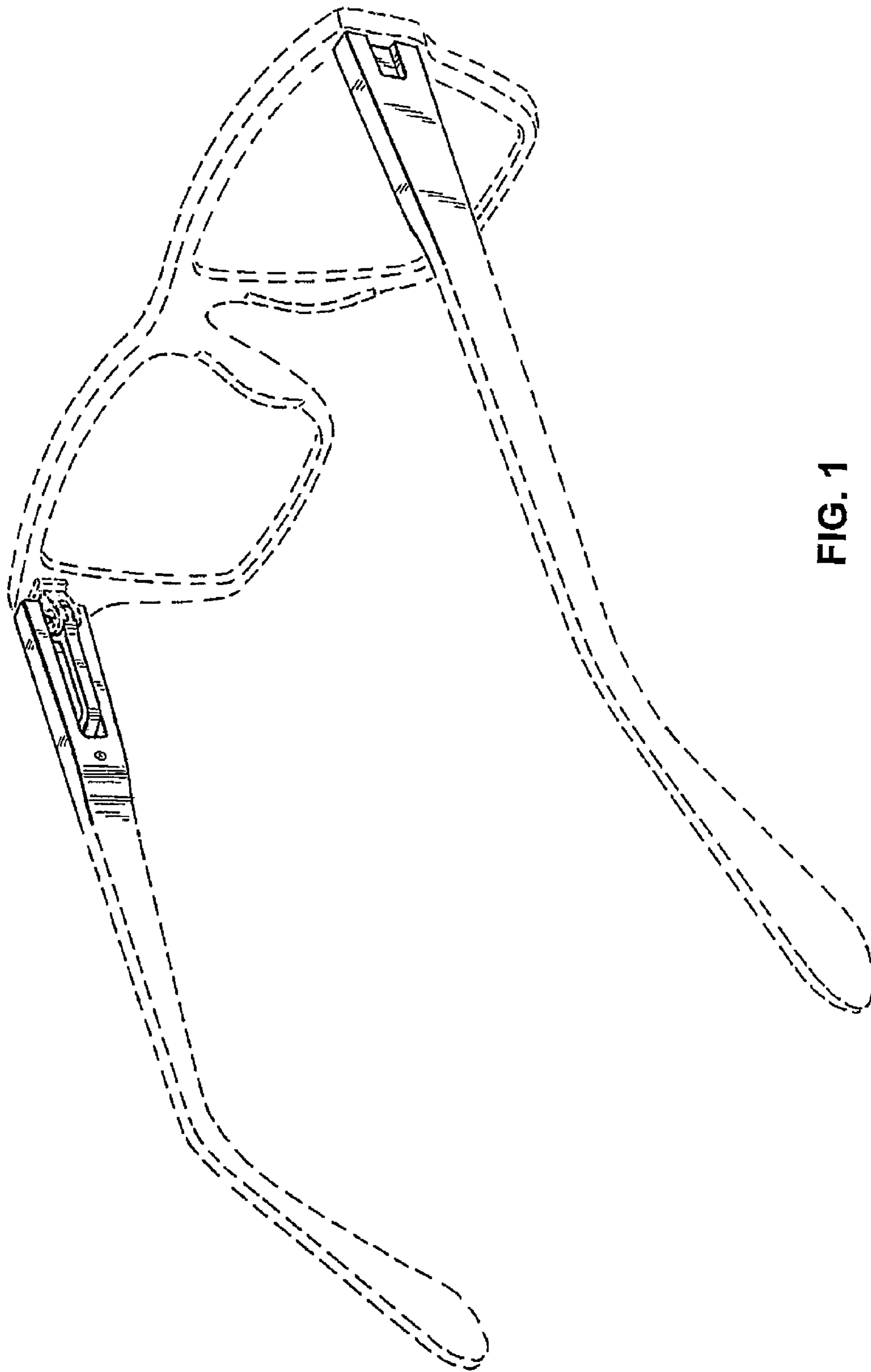


FIG. 1

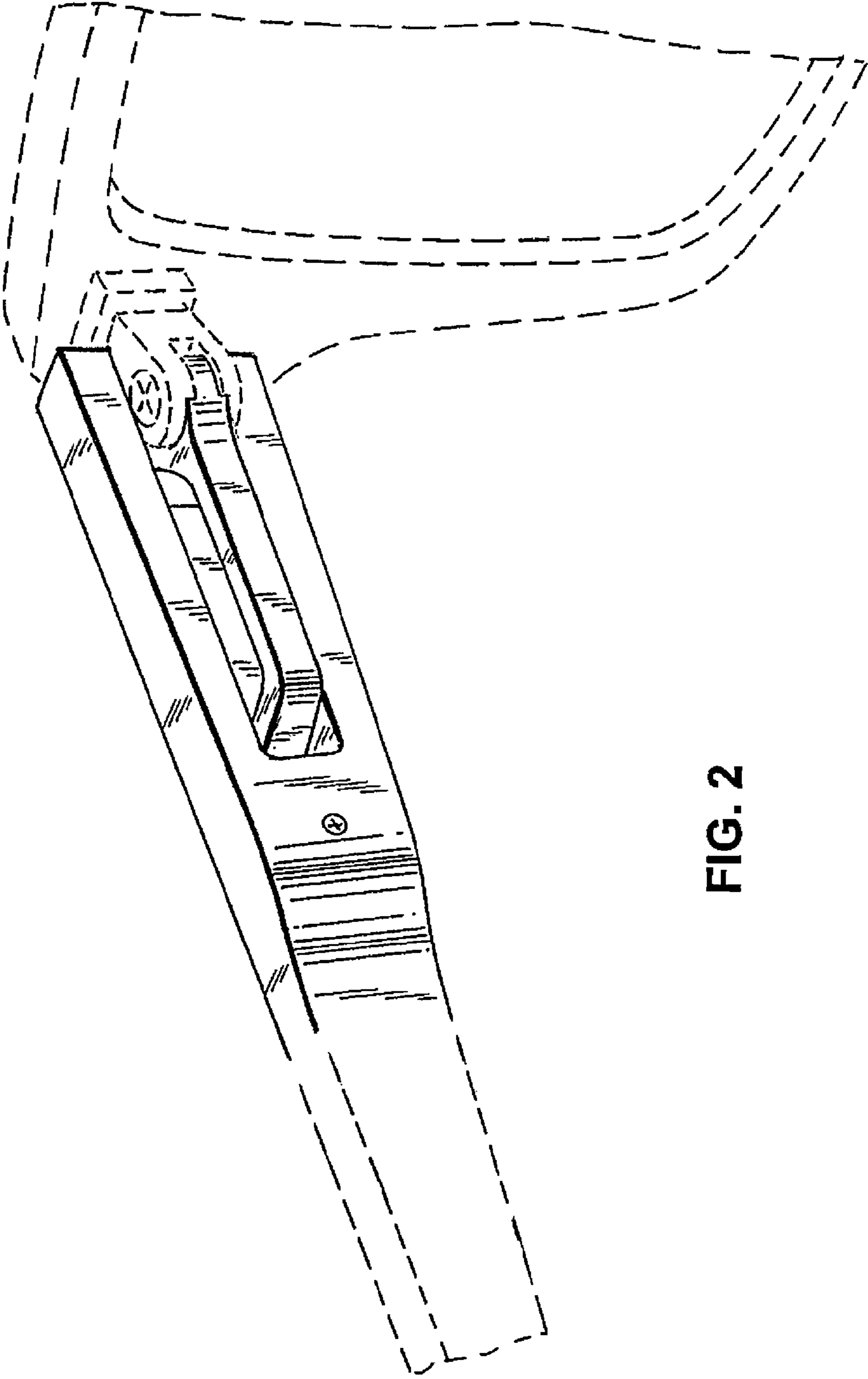


FIG. 2

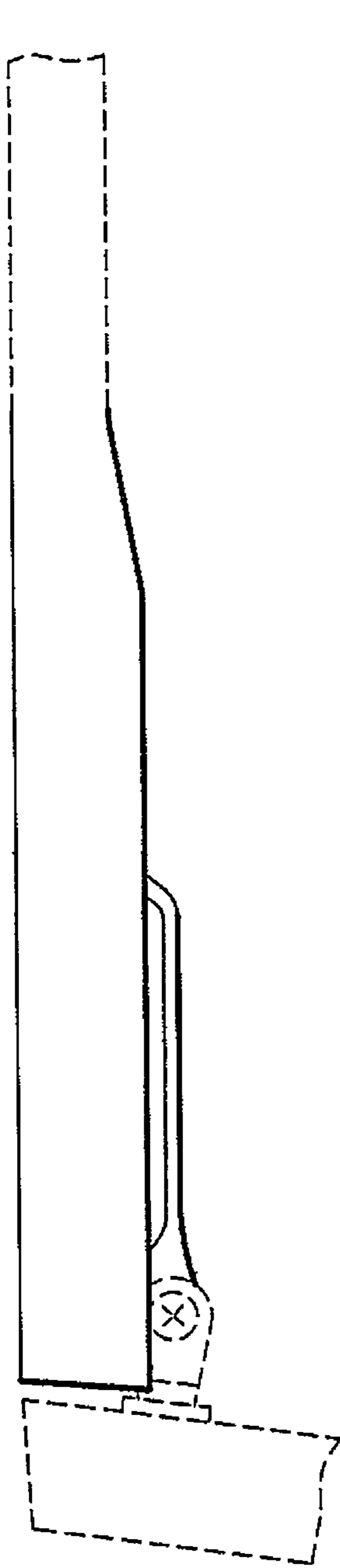


FIG. 3

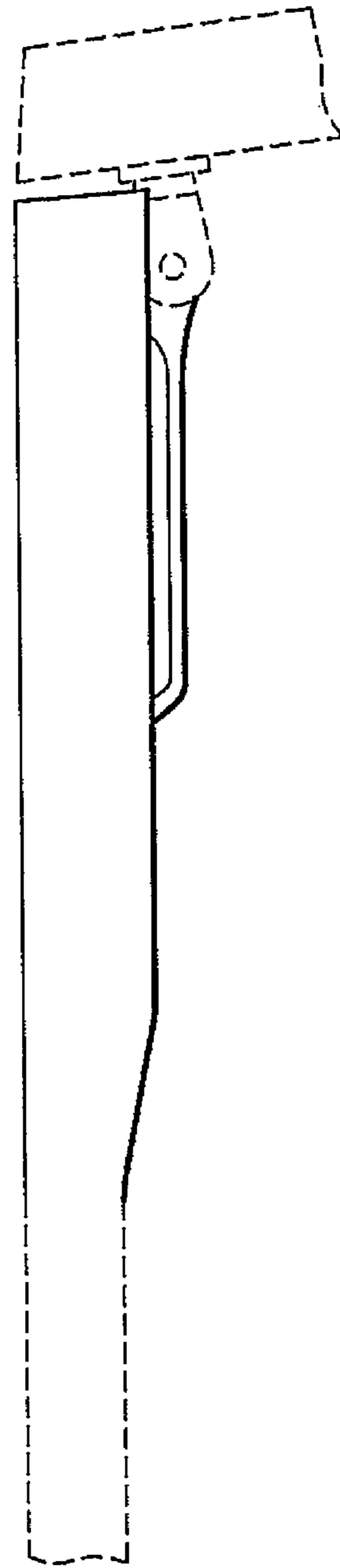


FIG. 4

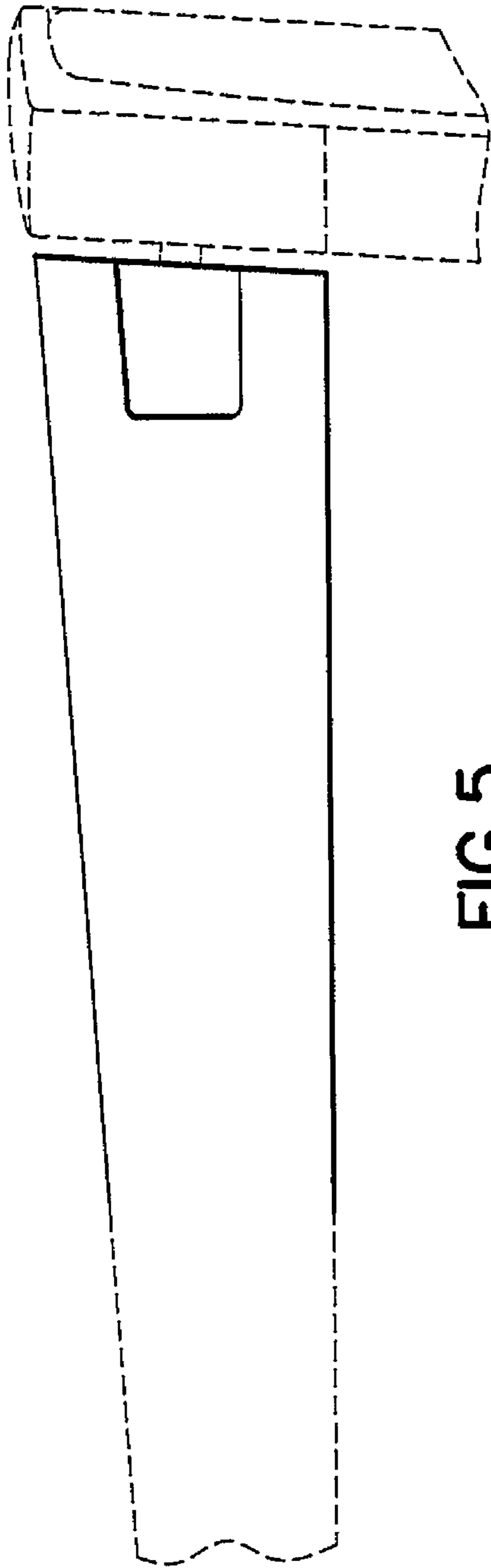


FIG. 5

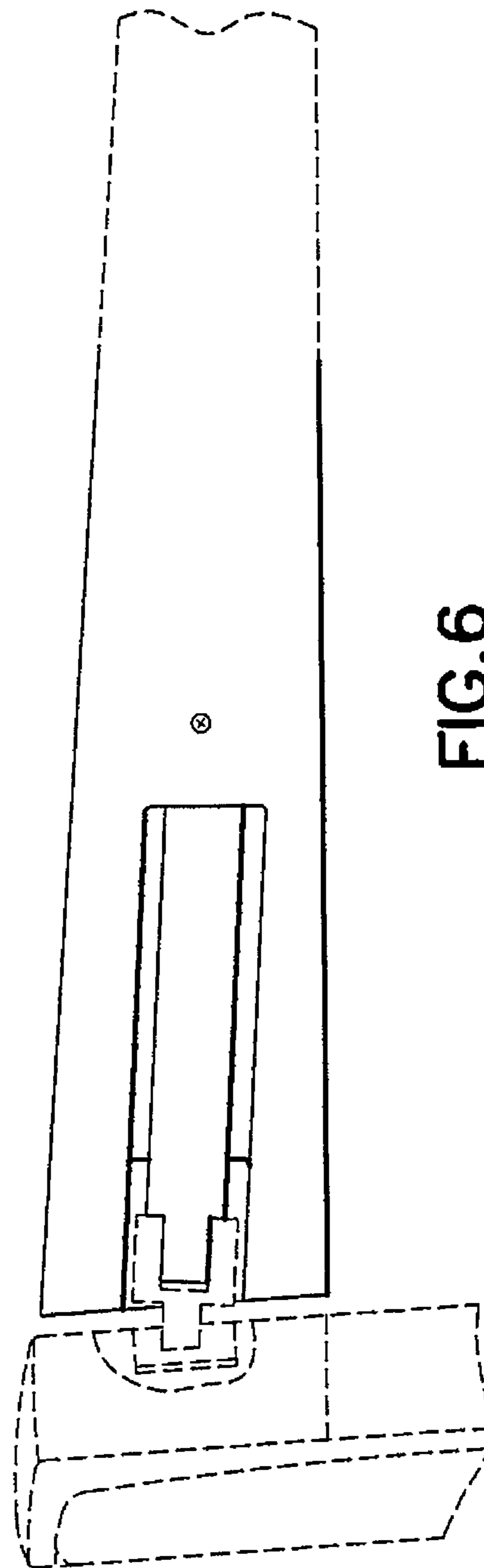


FIG. 6