



US00D712450S

(12) **United States Design Patent**
Hamaue et al.

(10) **Patent No.:** **US D712,450 S**
(45) **Date of Patent:** **** Sep. 2, 2014**

(54) **PROJECTOR**

(71) Applicant: **Casio Keisanki Kabushiki Kaisha,**
Tokyo (JP)

(72) Inventors: **Tomohiro Hamaue,** Tokyo (JP); **Yozo Yamamoto,** Tokyo (JP)

(73) Assignee: **Canon Keisanki Kabushiki Kaisha,**
Tokyo (JP)

(**) Term: **14 Years**

(21) Appl. No.: **29/458,099**

(22) Filed: **Jun. 17, 2013**

(51) **LOC (10) Cl.** **16-02**

(52) **U.S. Cl.**

USPC **D16/229; D16/225**

(58) **Field of Classification Search**

USPC D16/208, 221, 225, 229–231, 234;
D21/514; 352/34, 242; 353/39, 115,
353/119, 122

See application file for complete search history.

(56) **References Cited**

U.S. PATENT DOCUMENTS

6,231,191 B1 * 5/2001 Shiraishi et al. 353/119
D602,513 S * 10/2009 Kim et al. D16/229

D627,386 S * 11/2010 Kawaguchi et al. D16/229
D639,331 S * 6/2011 Kawaguchi et al. D16/230
8,162,489 B2 * 4/2012 Saito 353/119

* cited by examiner

Primary Examiner — Wan Laymon

(74) *Attorney, Agent, or Firm* — Holtz Holtz Goodman & Chick PC

(57) **CLAIM**

The ornamental design for a projector, as shown and described.

DESCRIPTION

FIG. 1 is a front, left side, top perspective view of a projector showing our new design;

FIG. 2 is a front elevational view thereof;

FIG. 3 is a rear elevational view thereof;

FIG. 4 is a left side view thereof;

FIG. 5 is a right side view thereof;

FIG. 6 is a top plan view thereof;

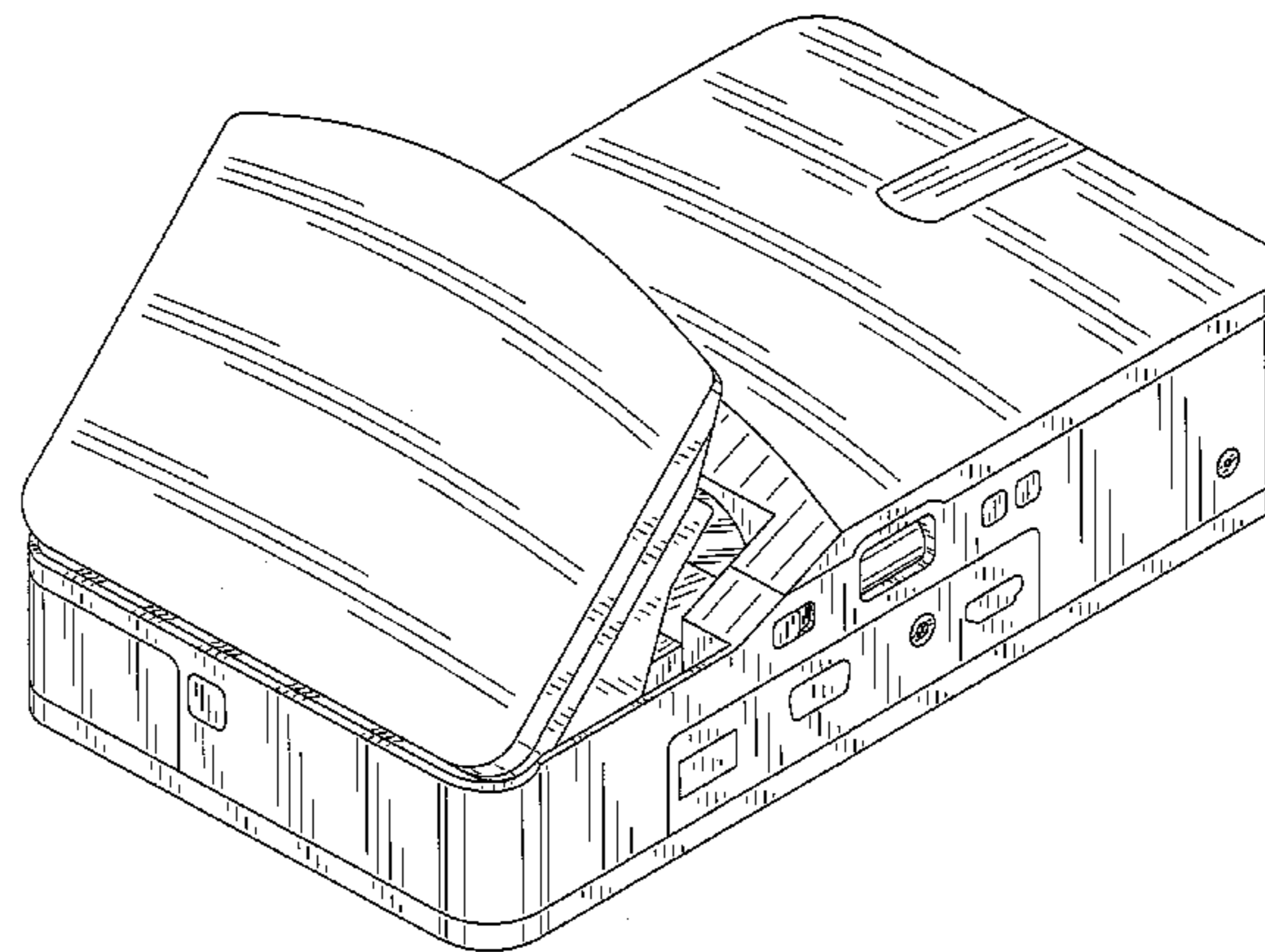
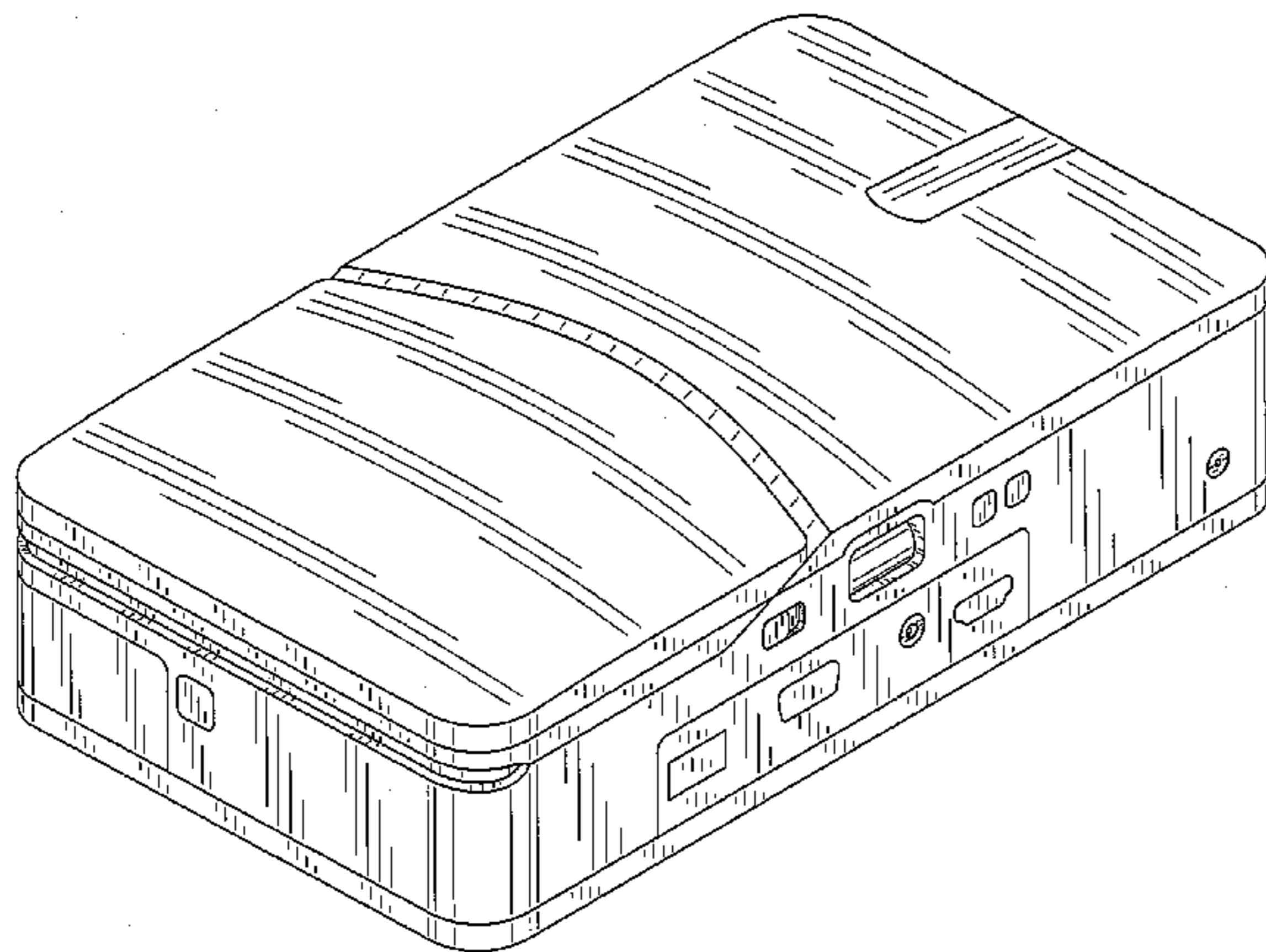
FIG. 7 is a bottom plan view thereof;

FIG. 8 is a perspective view thereof in a state in which a cover part is opened; and,

FIG. 9 is a reference perspective view thereof showing an inner portion of the cover part in the state in which the cover part is opened.

The portions in broken lines are shown for illustrative purposes only and form no part of the claimed design.

1 Claim, 8 Drawing Sheets



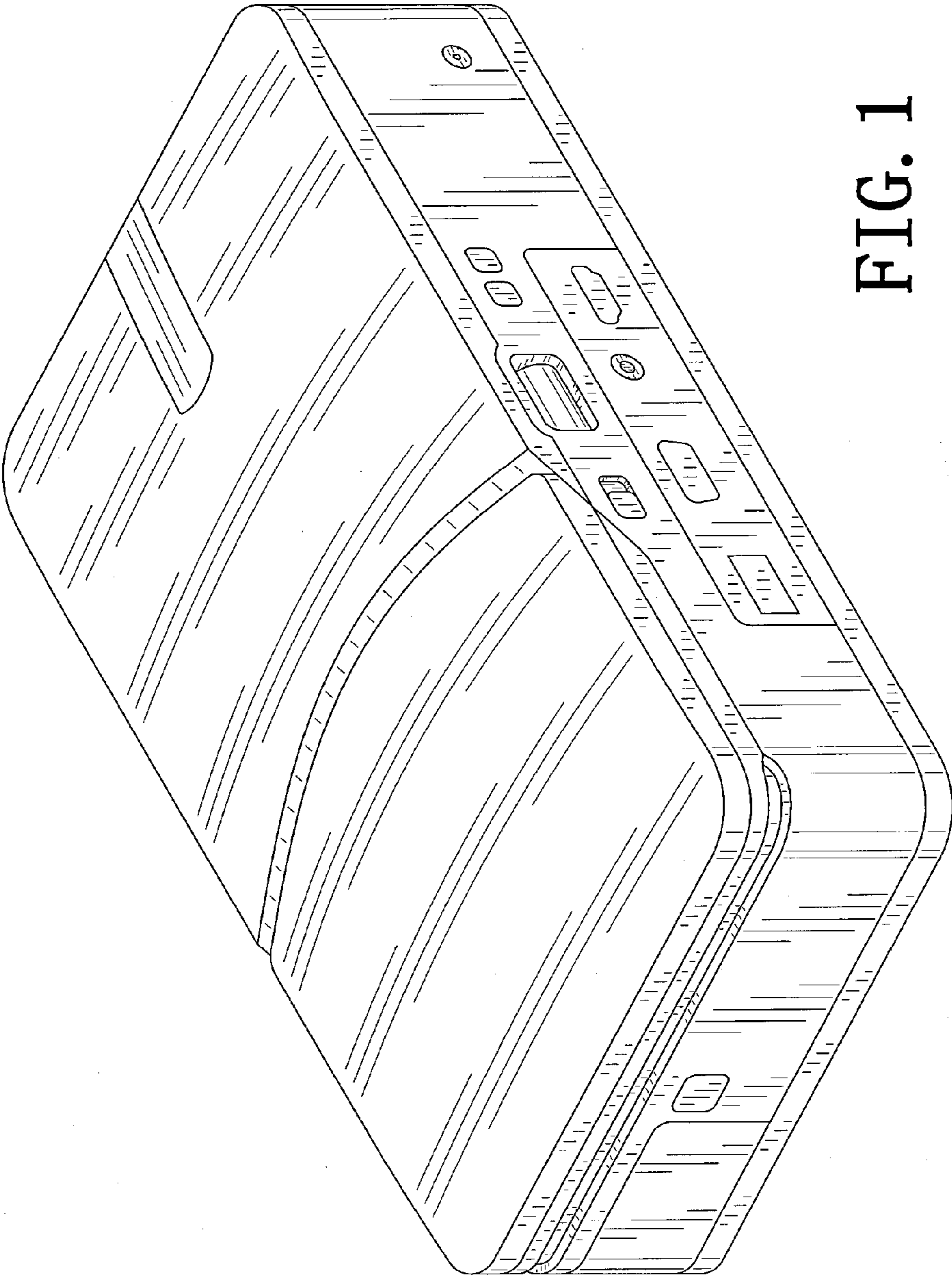


FIG. 1

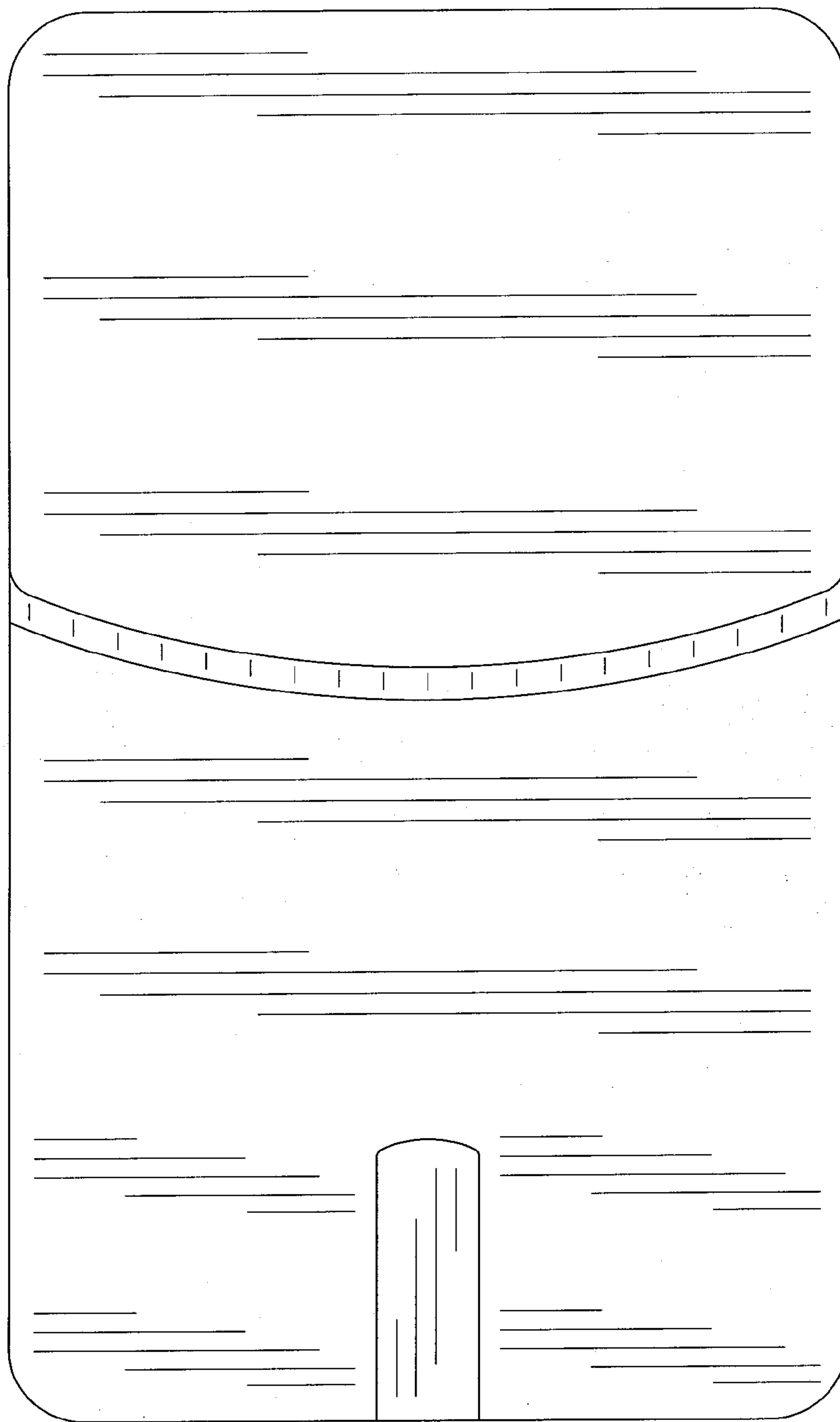


FIG. 2

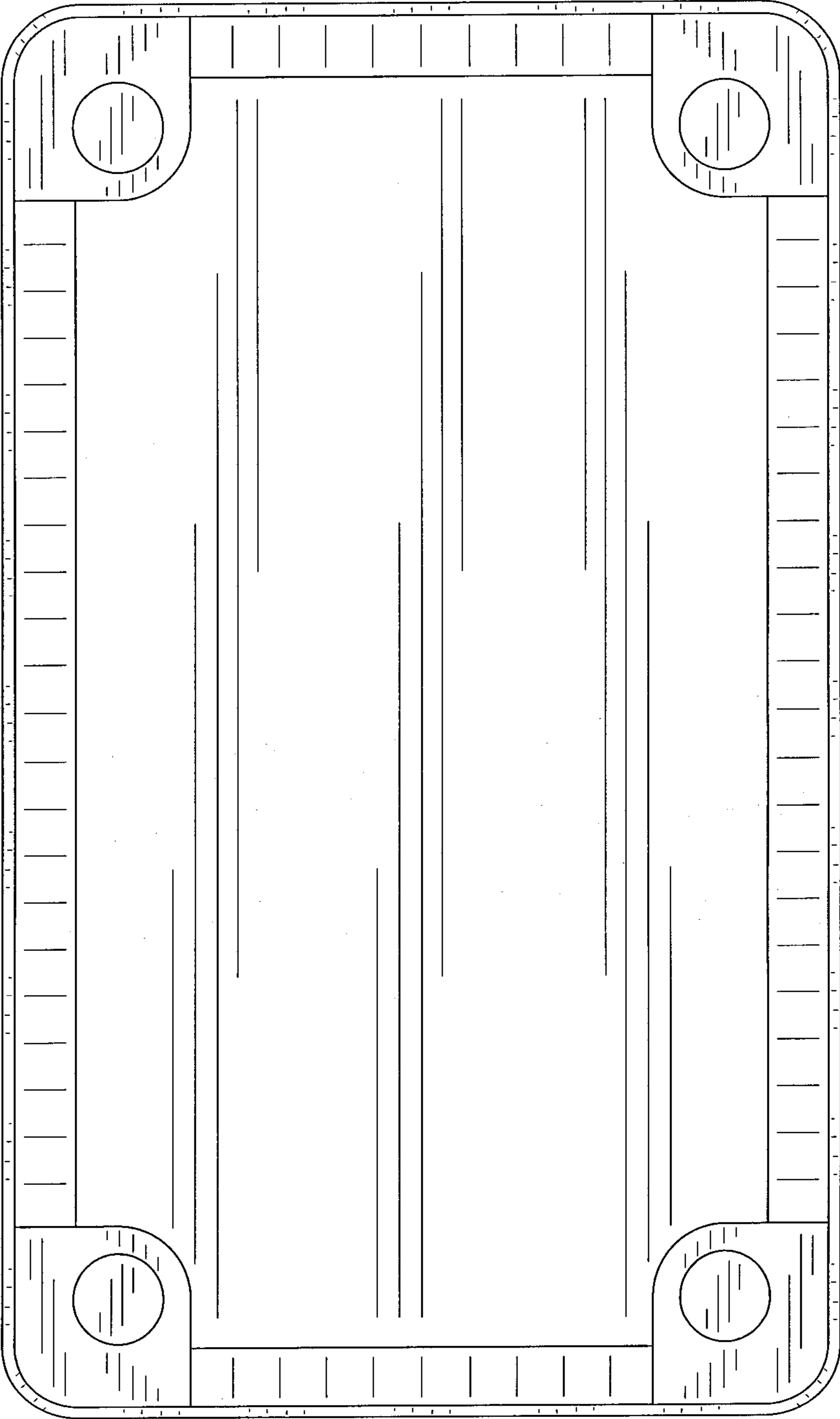


FIG. 3

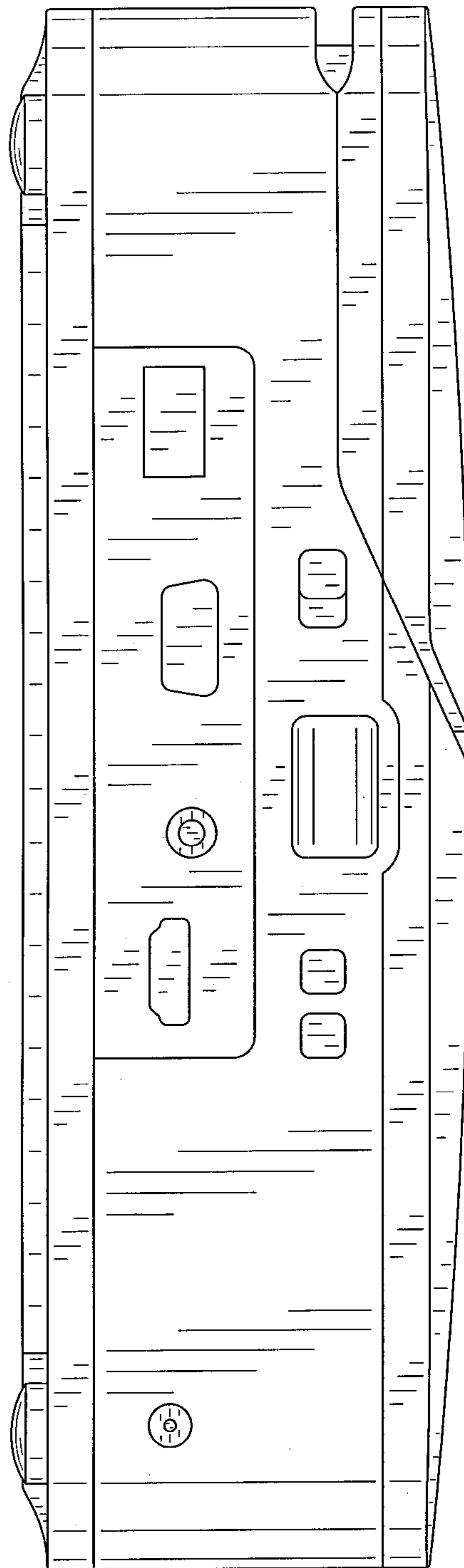


FIG. 4

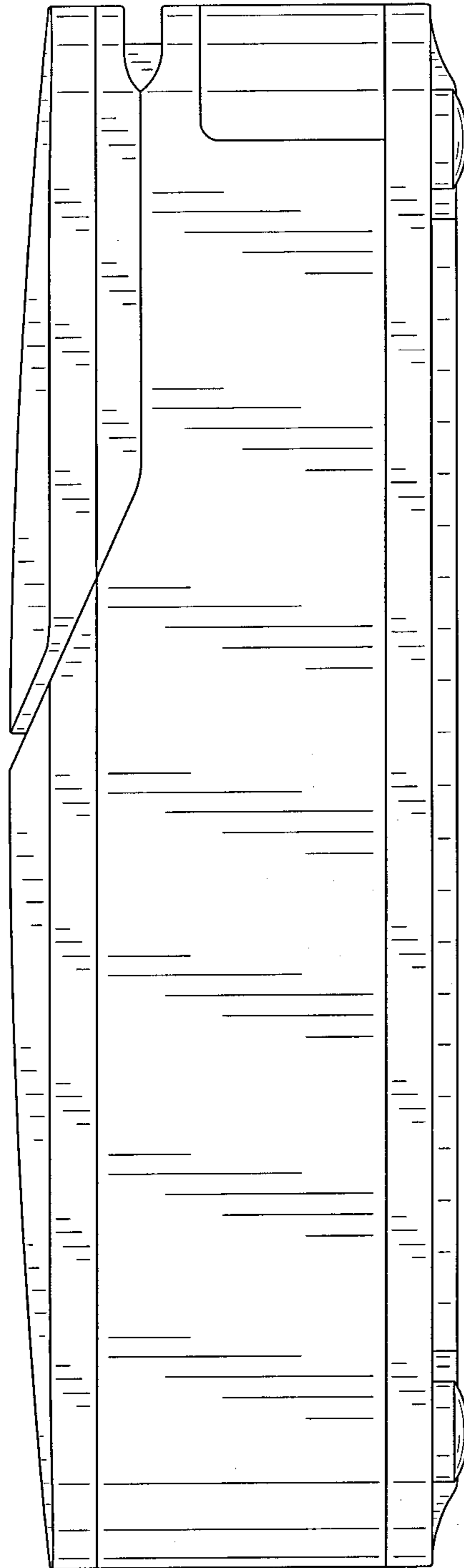


FIG. 5

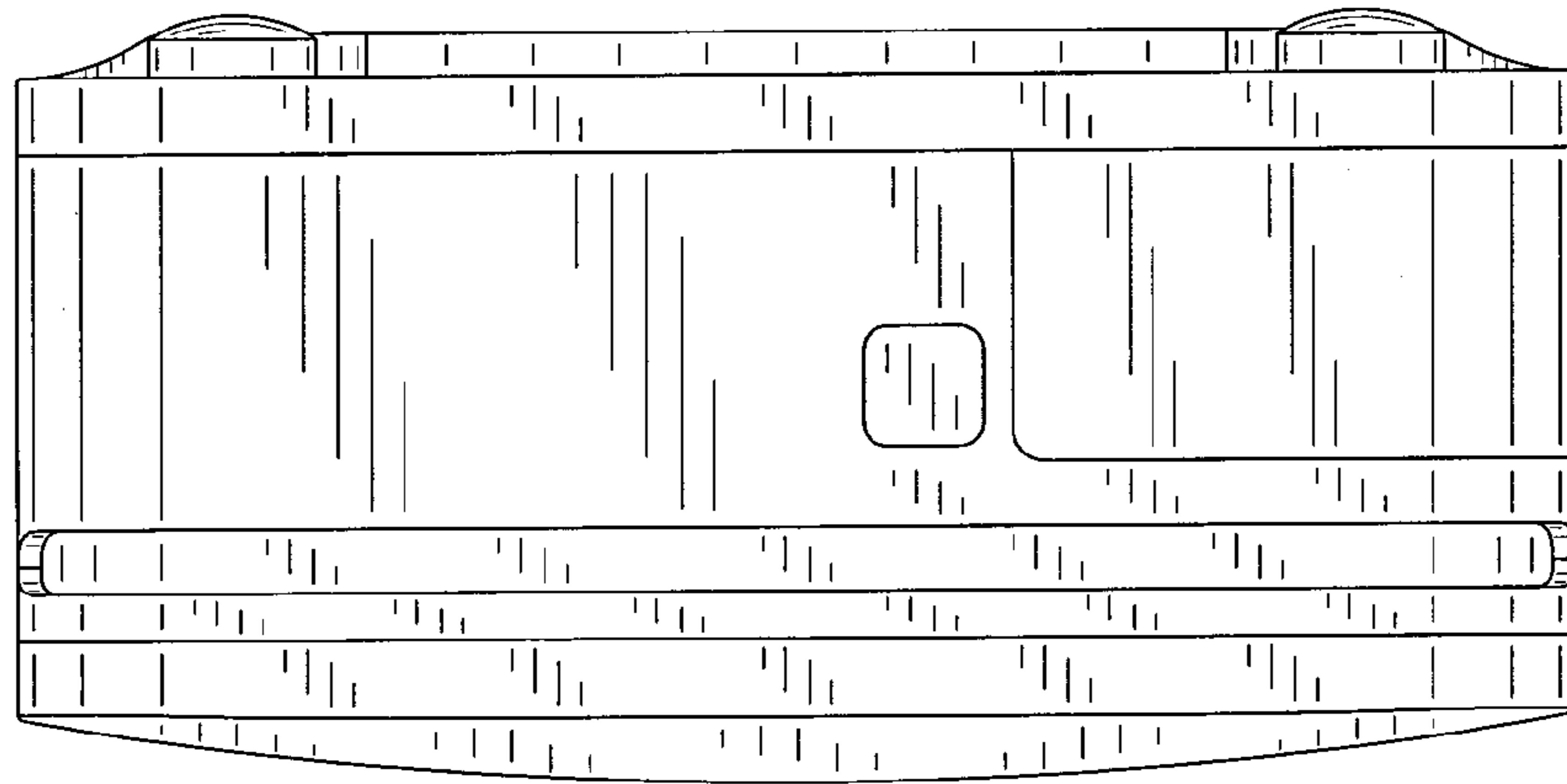


FIG. 6

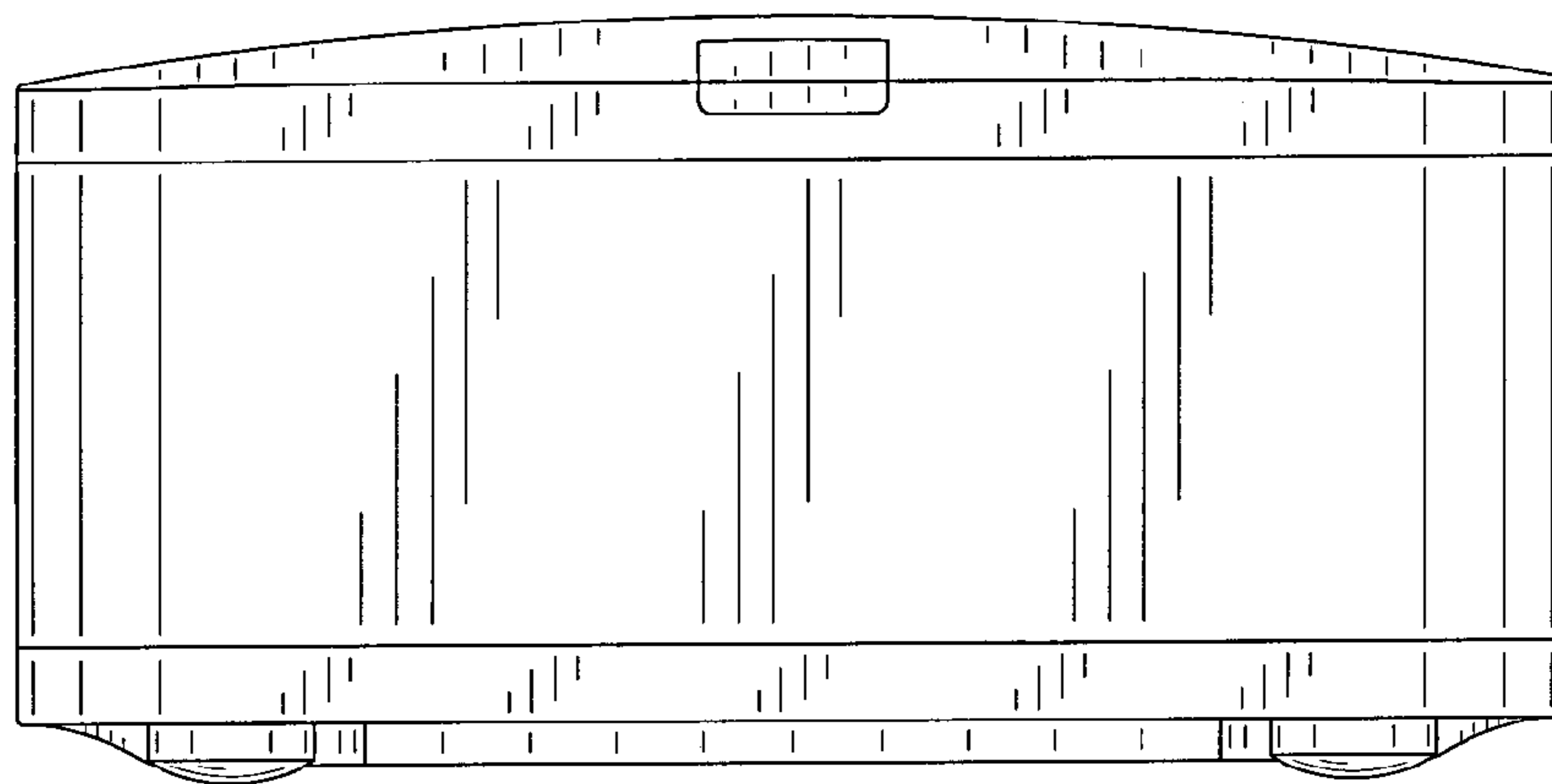


FIG. 7

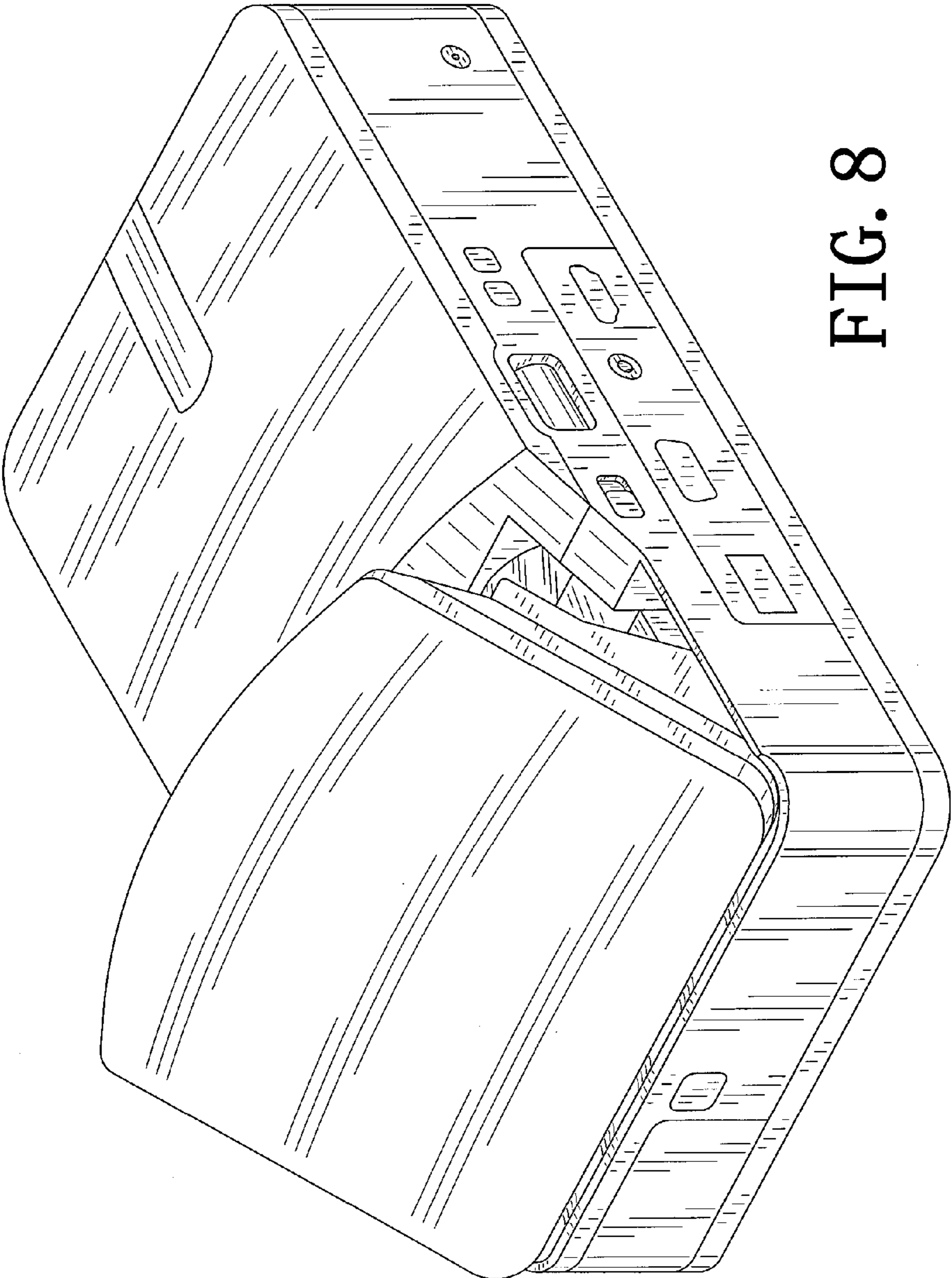


FIG. 8

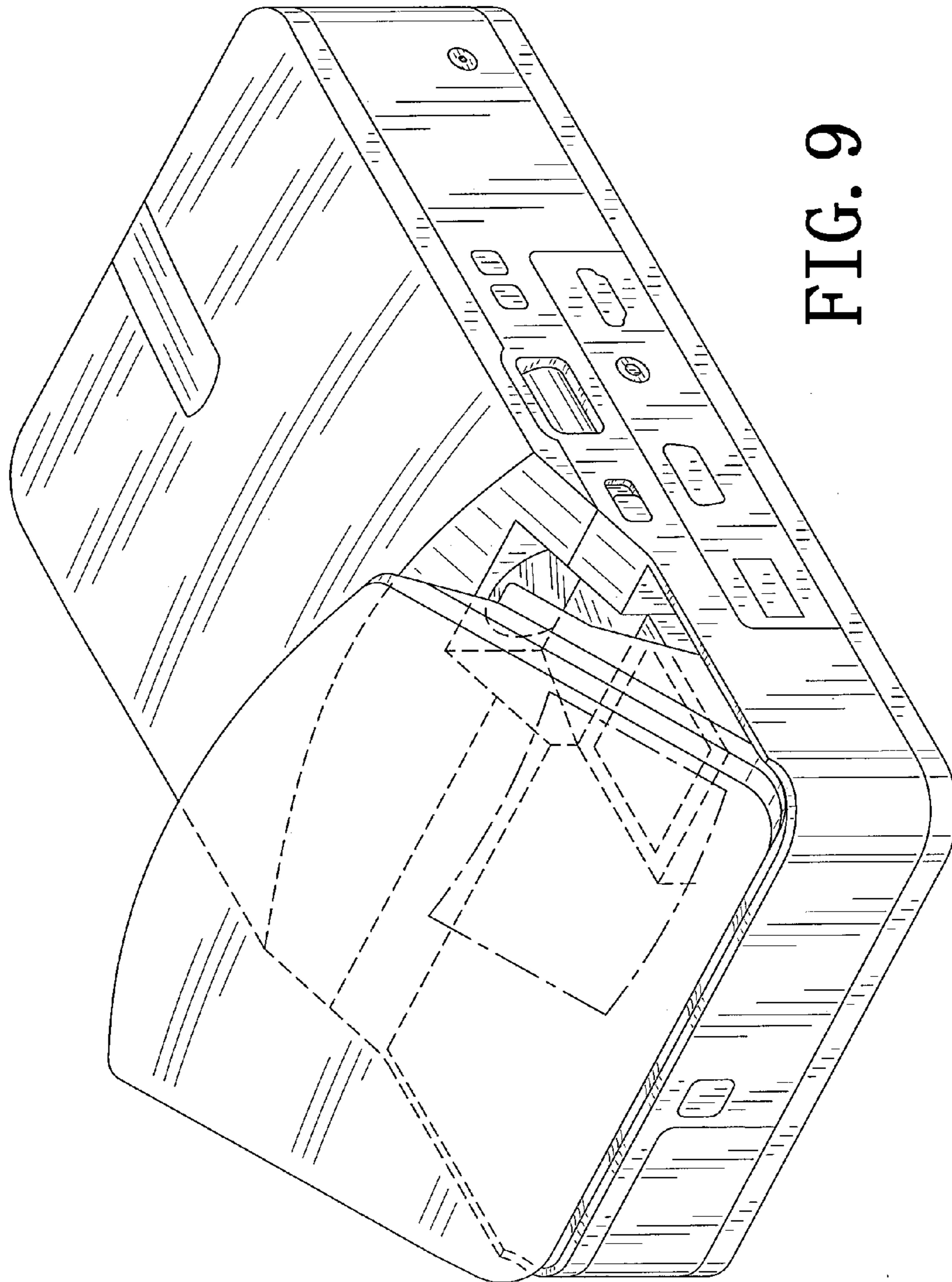


FIG. 9

UNITED STATES PATENT AND TRADEMARK OFFICE
CERTIFICATE OF CORRECTION

PATENT NO. : D712,450 S
APPLICATION NO. : 29/458099
DATED : September 2, 2014
INVENTOR(S) : Tomohiro Hamaue et al.

Page 1 of 1

It is certified that error appears in the above-identified patent and that said Letters Patent is hereby corrected as shown below:

On the Title Page, Item (73) Assignee:

change "Canon Keisanki Kabushiki Kaisha"

to --Casio Keisanki Kabushiki Kaisha d.b.a. Casio Computer Co., Ltd.--

Signed and Sealed this
Third Day of February, 2015



Michelle K. Lee
Deputy Director of the United States Patent and Trademark Office