



US00D712449S

(12) **United States Design Patent**  
**Osada**

(10) **Patent No.:** **US D712,449 S**  
(45) **Date of Patent:** **\*\* Sep. 2, 2014**

- (54) **DIGITAL CAMERA**
- (71) Applicant: **Olympus Imaging Corp.**, Tokyo (JP)
- (72) Inventor: **Reisuke Osada**, Hachioji (JP)
- (73) Assignee: **Olympus Imaging Corp.**, Tokyo (JP)
- (\*\*) Term: **14 Years**
- (21) Appl. No.: **29/449,790**
- (22) Filed: **Mar. 15, 2013**

D688,291	S	*	8/2013	Yum	.....	D16/202
D691,186	S	*	10/2013	Song et al.	.....	D16/200
D695,805	S	*	12/2013	Sakai	.....	D16/202
D700,924	S	*	3/2014	Sasaki	.....	D16/202

- (30) **Foreign Application Priority Data**
- Dec. 25, 2012 (JP) ..... 2012-031411
- (51) **LOC (10) Cl.** ..... **16-01**
- (52) **U.S. Cl.**
- USPC ..... **D16/202**
- (58) **Field of Classification Search**
- CPC ..... G03B 15/03; G03B 17/02; G03B 17/04;  
G03B 17/56; G03B 19/04; H04N 5/2251;  
H04N 5/2252; H04N 5/2253; H04N 5/2254;  
H04N 2101/00
- USPC ..... D16/200, 202–206, 208, 209, 218, 219;  
348/373–376; 396/535, 539–541
- See application file for complete search history.

**OTHER PUBLICATIONS**

Japanese Office Action dated Jul. 23, 2013 issued in counterpart Japanese Application No. 2012-031411.  
National Center for Industrial Property Information and Training received the domestic catalog on Aug. 31, 2012. Issuer: Sony Corporation; Tokyo, Japan; “General Catalog of Digital Still Camera Powerful Zoom! Touch Model hits the street! WX170”; p. 33; Japanese Patent Office Industrial Design section Publication No. HC 24016863.

\* cited by examiner

*Primary Examiner* — Adir Aronovich  
*Assistant Examiner* — Ramzi Almatrahi  
(74) *Attorney, Agent, or Firm* — Holtz Holtz Goodman & Chick PC

- (56) **References Cited**
- U.S. PATENT DOCUMENTS**
- 7,643,085 B2 \* 1/2010 Saiki et al. .... 348/373
- 7,646,426 B2 \* 1/2010 Saiki et al. .... 348/373
- D633,542 S \* 3/2011 Tajima ..... D16/202
- D668,281 S \* 10/2012 Nakamura ..... D16/202
- D669,518 S \* 10/2012 Nakamura ..... D16/202
- D682,334 S \* 5/2013 InShik et al. .... D16/202
- D683,781 S \* 6/2013 Imai ..... D16/202

(57) **CLAIM**  
The ornamental design for a digital camera, as shown.

**DESCRIPTION**

FIG. 1 is a front, top and right side perspective view of a digital camera showing my new design;  
FIG. 2 is a front elevational view thereof;  
FIG. 3 is a rear elevational view thereof;  
FIG. 4 is a top plan view thereof;  
FIG. 5 is a bottom plan view thereof;  
FIG. 6 is a right side elevational view thereof; and,  
FIG. 7 is a left side elevational view thereof.

**1 Claim, 5 Drawing Sheets**

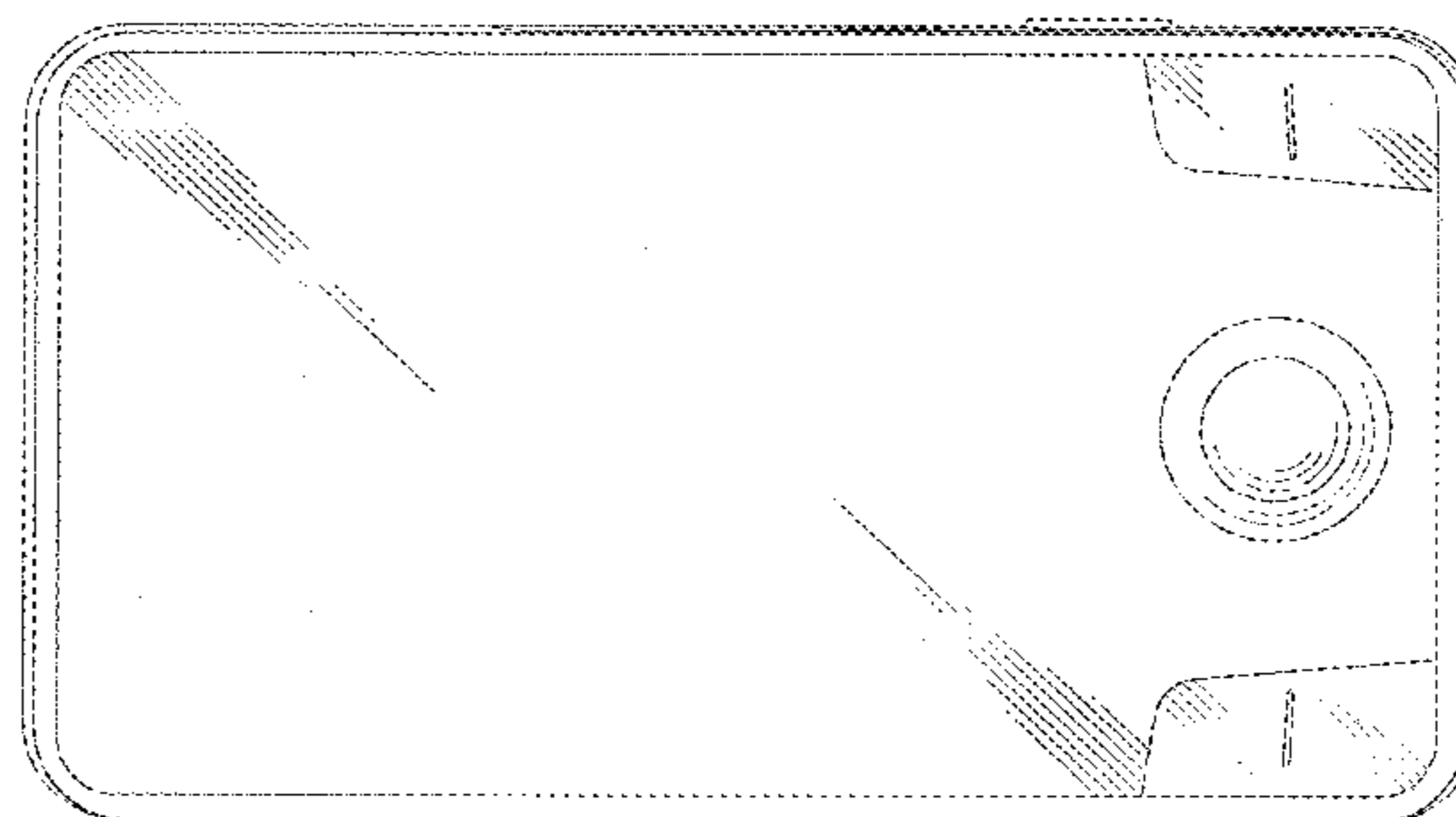
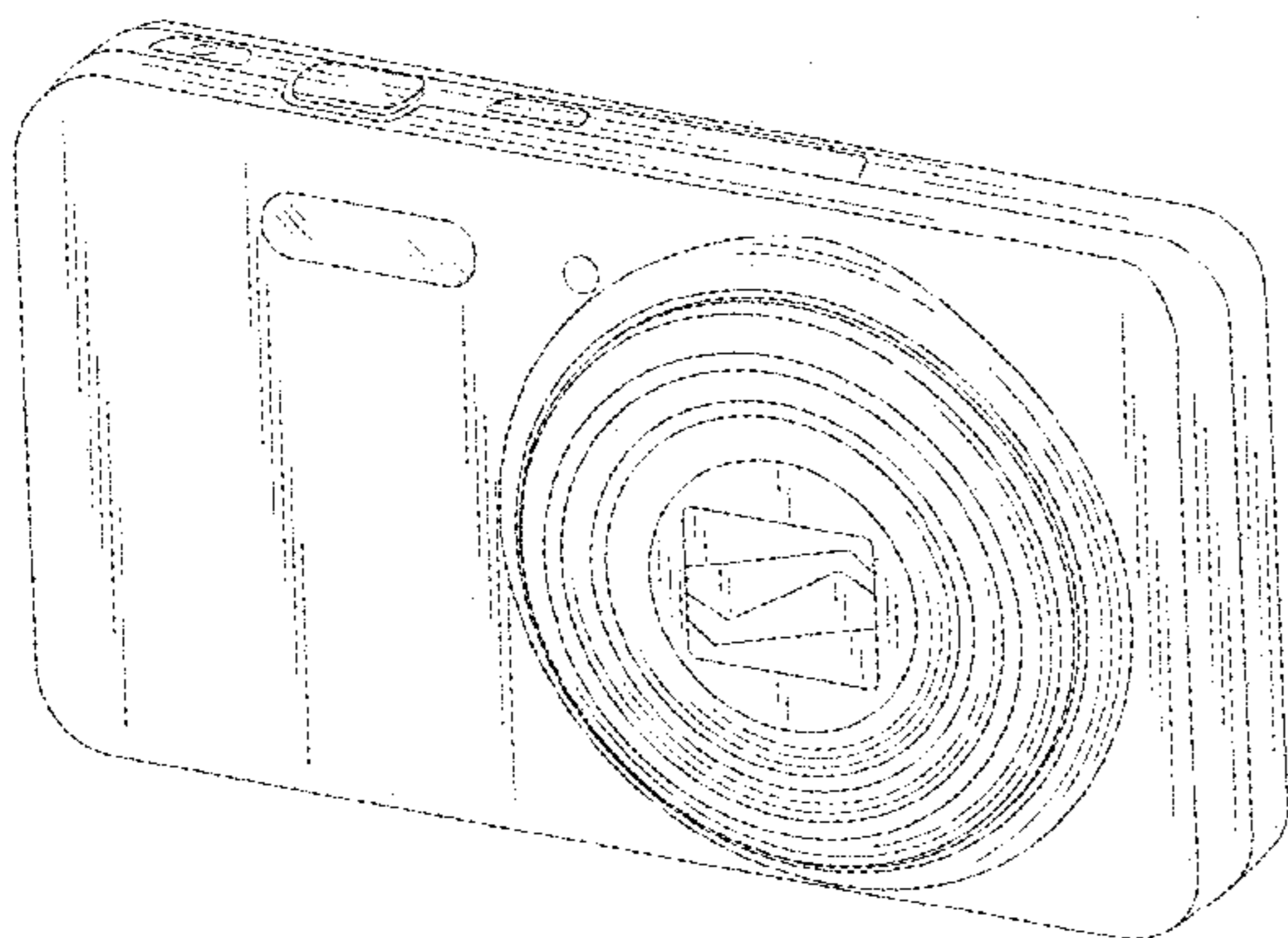


FIG. 1

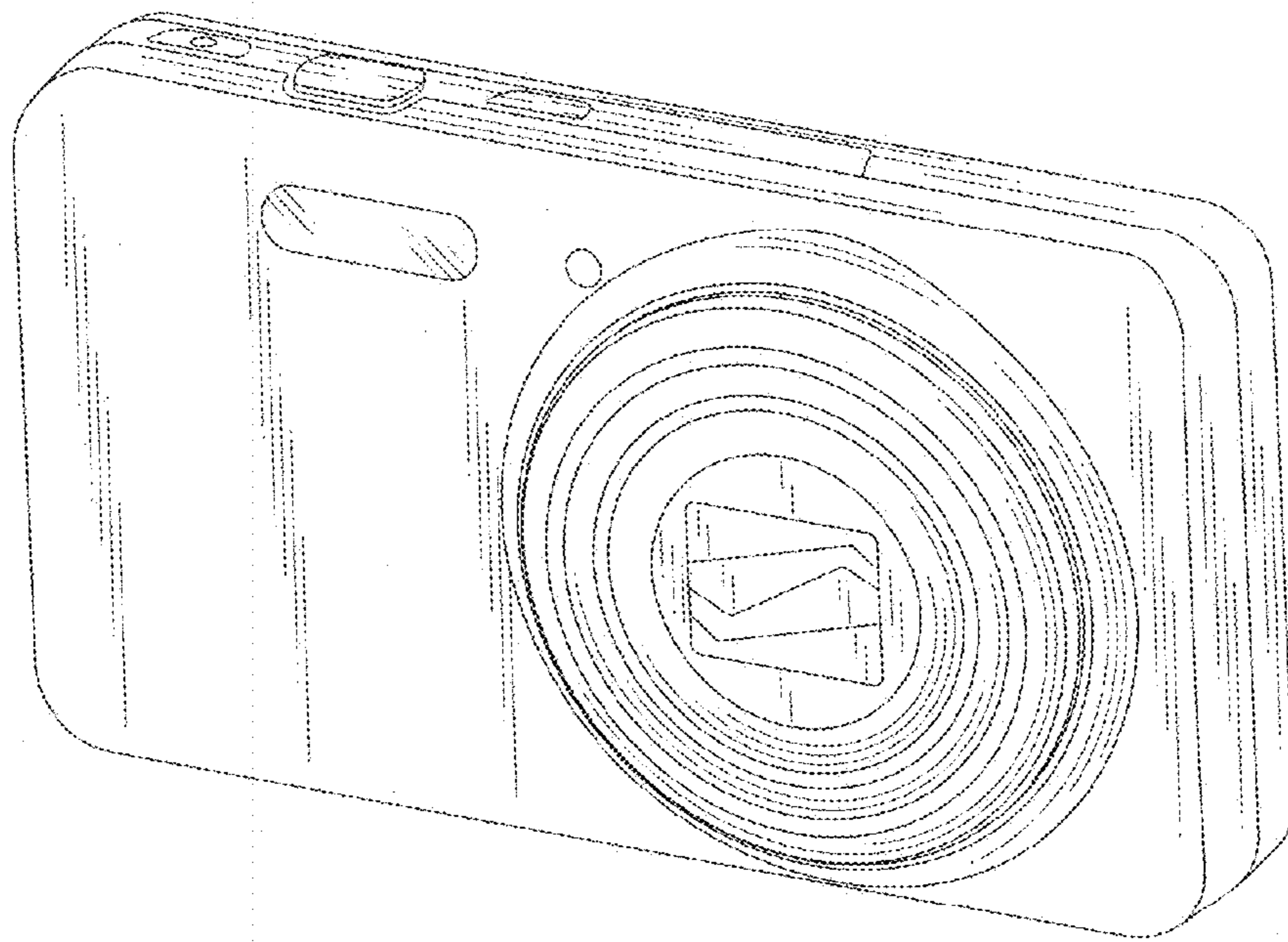
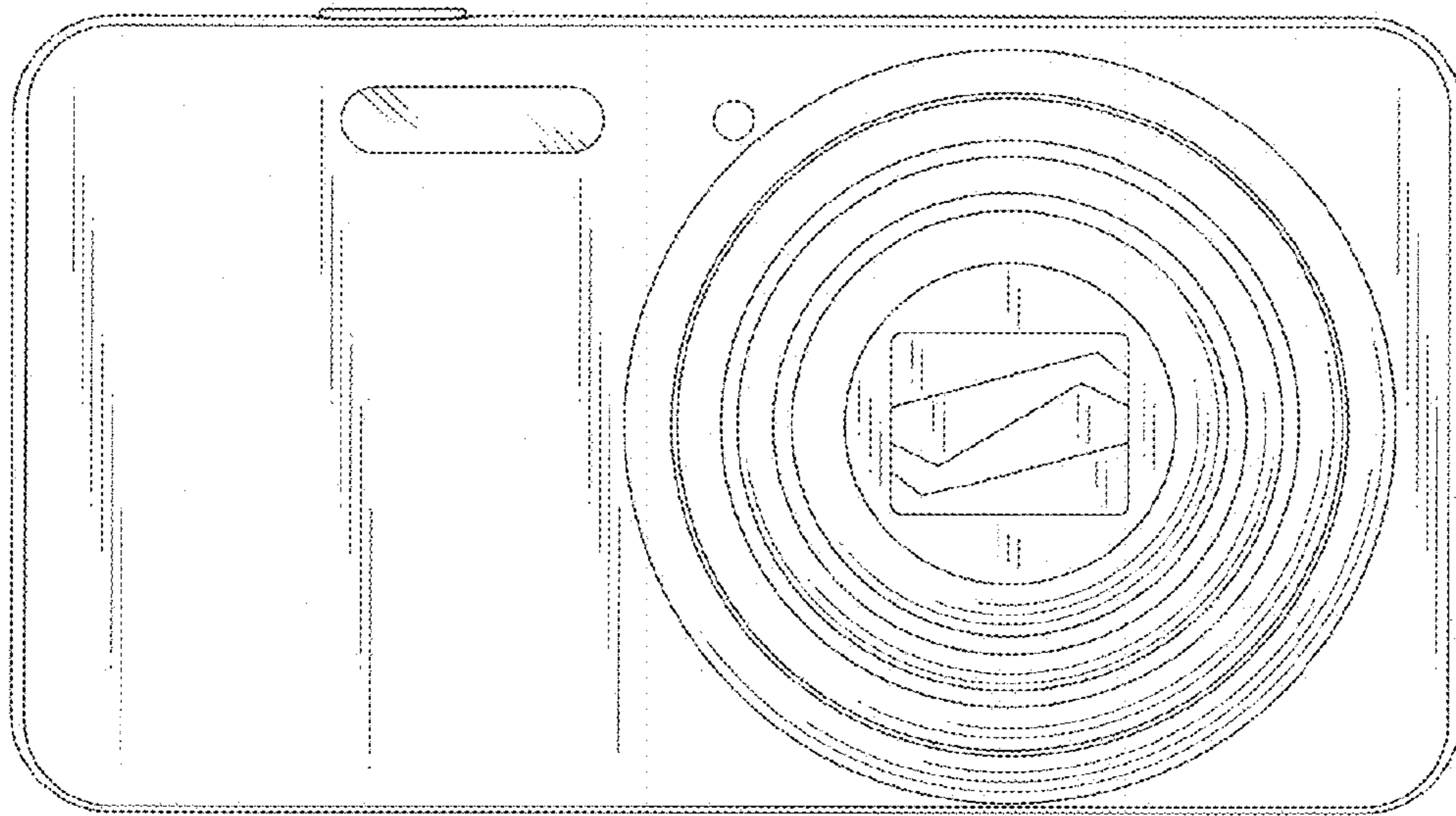
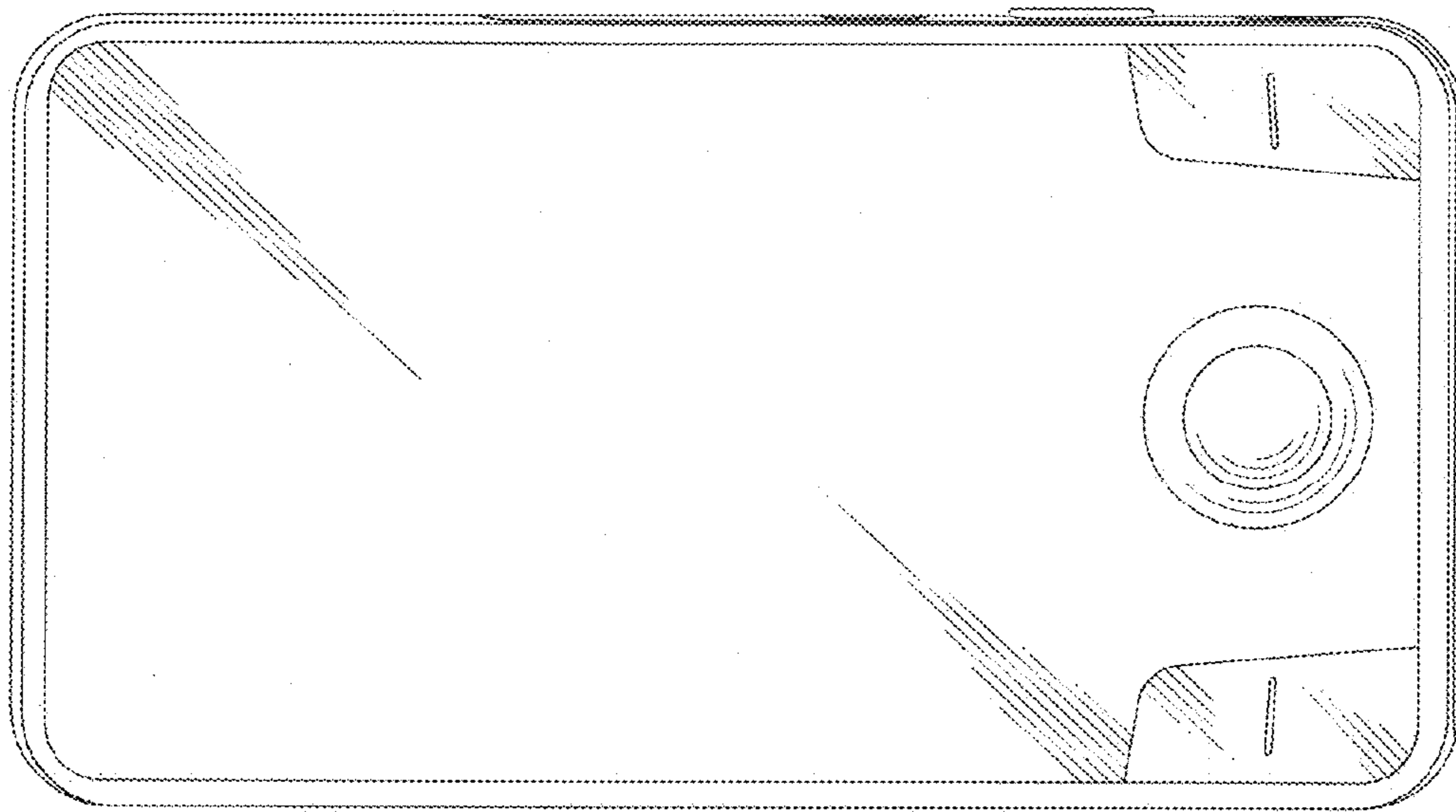


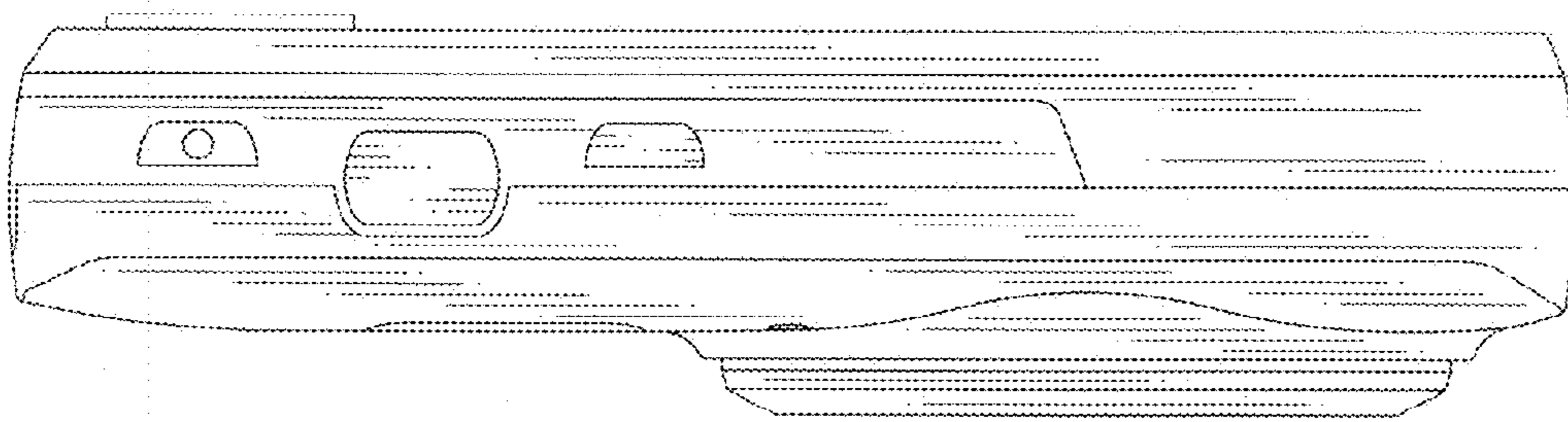
FIG.2



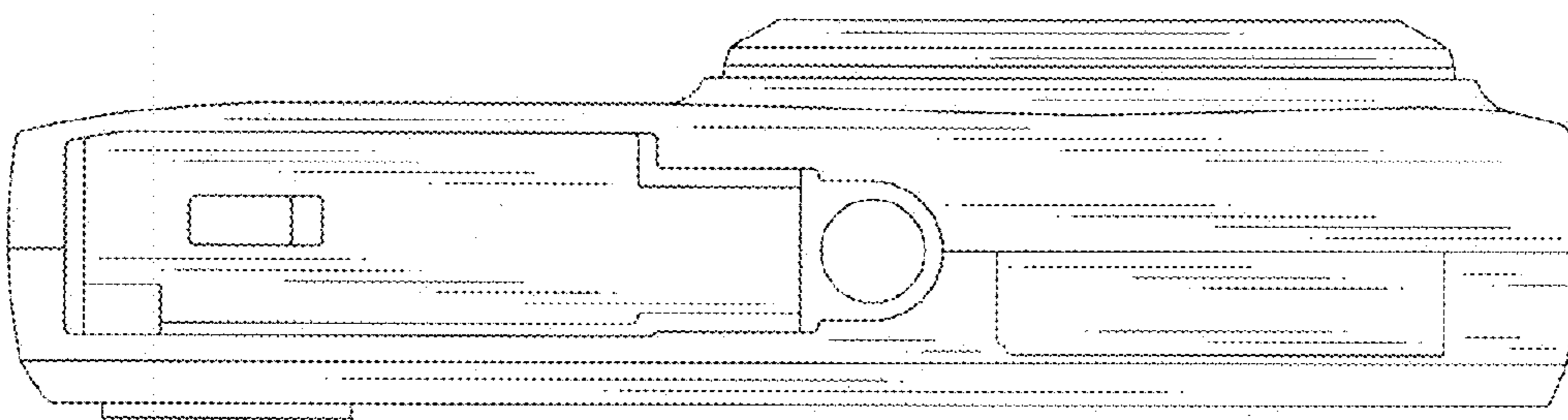
**FIG.3**



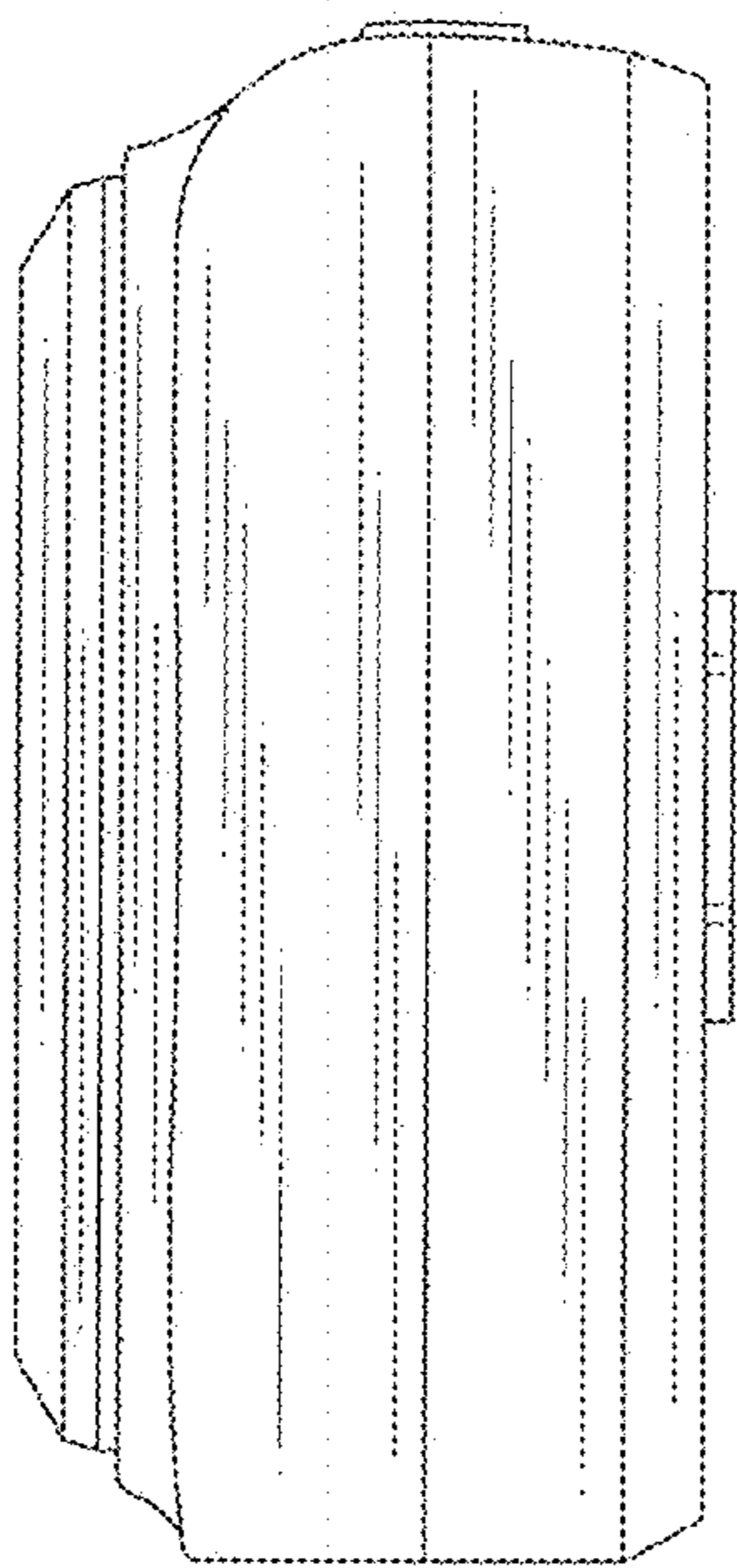
**FIG.4**



**FIG.5**



**FIG.6**



**FIG.7**

