



US00D712448S

(12) **United States Design Patent**
Kasahara

(10) **Patent No.:** **US D712,448 S**

(45) **Date of Patent:** **** Sep. 2, 2014**

(54) **ARM PORTIONS OF INDUSTRIAL ROBOT**

(71) Applicant: **DAIHEN Corporation**, Osaka (JP)

(72) Inventor: **Kimihiro Kasahara**, Osaka (JP)

(73) Assignee: **DAIHEN Corporation**, Osaka (JP)

(**) Term: **14 Years**

(21) Appl. No.: **29/489,503**

(22) Filed: **Apr. 30, 2014**

(30) **Foreign Application Priority Data**

Nov. 29, 2013 (JP) 2013-028163

(51) **LOC (10) Cl.** **15-99**

(52) **U.S. Cl.**
USPC **D15/199**

(58) **Field of Classification Search**
USPC D13/182; D15/199; 74/490.01, 490.05;
134/110; 198/346.2; 361/234; 396/611;
414/217, 331.15, 411, 416.03, 744.1,
414/744.2, 744.3, 744.5, 935, 937, 939,
414/941; 438/14

See application file for complete search history.

(56) **References Cited**

U.S. PATENT DOCUMENTS

D287,368 S * 12/1986 Shibayama et al. D15/199
D410,660 S * 6/1999 Kawaguchi D15/199
5,950,495 A * 9/1999 Ogawa et al. 74/490.01
6,190,114 B1 * 2/2001 Ogawa et al. 414/744.5
D478,921 S * 8/2003 Kullborg et al. D15/199
D552,138 S * 10/2007 Kondo et al. D15/199
RE44,567 E * 11/2013 Yoshino D15/199
D697,104 S * 1/2014 Dye et al. D15/199
2002/0114690 A1 * 8/2002 Ishigame 414/744.5
2005/0079043 A1 * 4/2005 Ogawa et al. 414/744.2

2008/0118338 A1 * 5/2008 Huang et al. 414/744.3
2008/0304942 A1 * 12/2008 Yazawa et al. 414/217
2009/0084215 A1 * 4/2009 Yazawa et al. 74/490.01
2009/0093906 A1 * 4/2009 Takizawa et al. 700/214
2012/0189419 A1 * 7/2012 Yazawa et al. 414/744.2

FOREIGN PATENT DOCUMENTS

JP D1067630 1/2000

OTHER PUBLICATIONS

Co-pending U.S. Appl. No. 29/489,493, filed Apr. 30, 2014, entitled "Industrial Robot With Extendable Arms".

* cited by examiner

Primary Examiner — Patricia Palasik

(74) *Attorney, Agent, or Firm* — Hamre, Schumann, Mueller & Larson, P.C.

(57) **CLAIM**

I claim the ornamental design for arm portions of an industrial robot, as shown and described.

DESCRIPTION

FIG. 1 is a perspective view of arm portions of an industrial robot showing my new design;
FIG. 2 is a front view of the same;
FIG. 3 is a rear view of the same;
FIG. 4 is a left side view of the same;
FIG. 5 is a right side view of the same;
FIG. 6 is a top plan view of the same;
FIG. 7 is a bottom plan view of the same; and,
FIG. 8 is a perspective view of the same with selected arms extended.

The broken lines showing a base and hands are for illustrative purposes only and form no part of the claimed design.

1 Claim, 8 Drawing Sheets

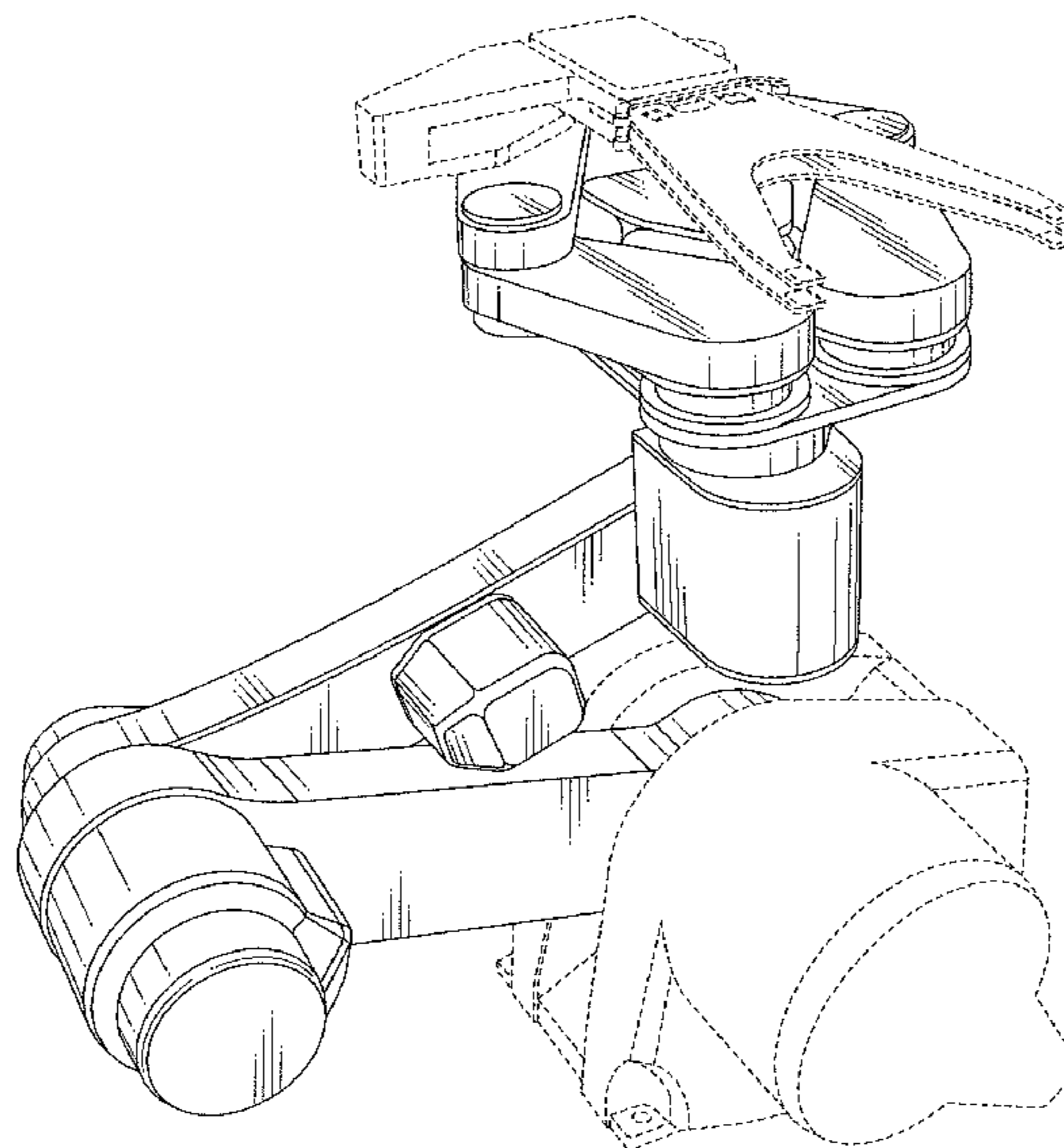


Fig. 1

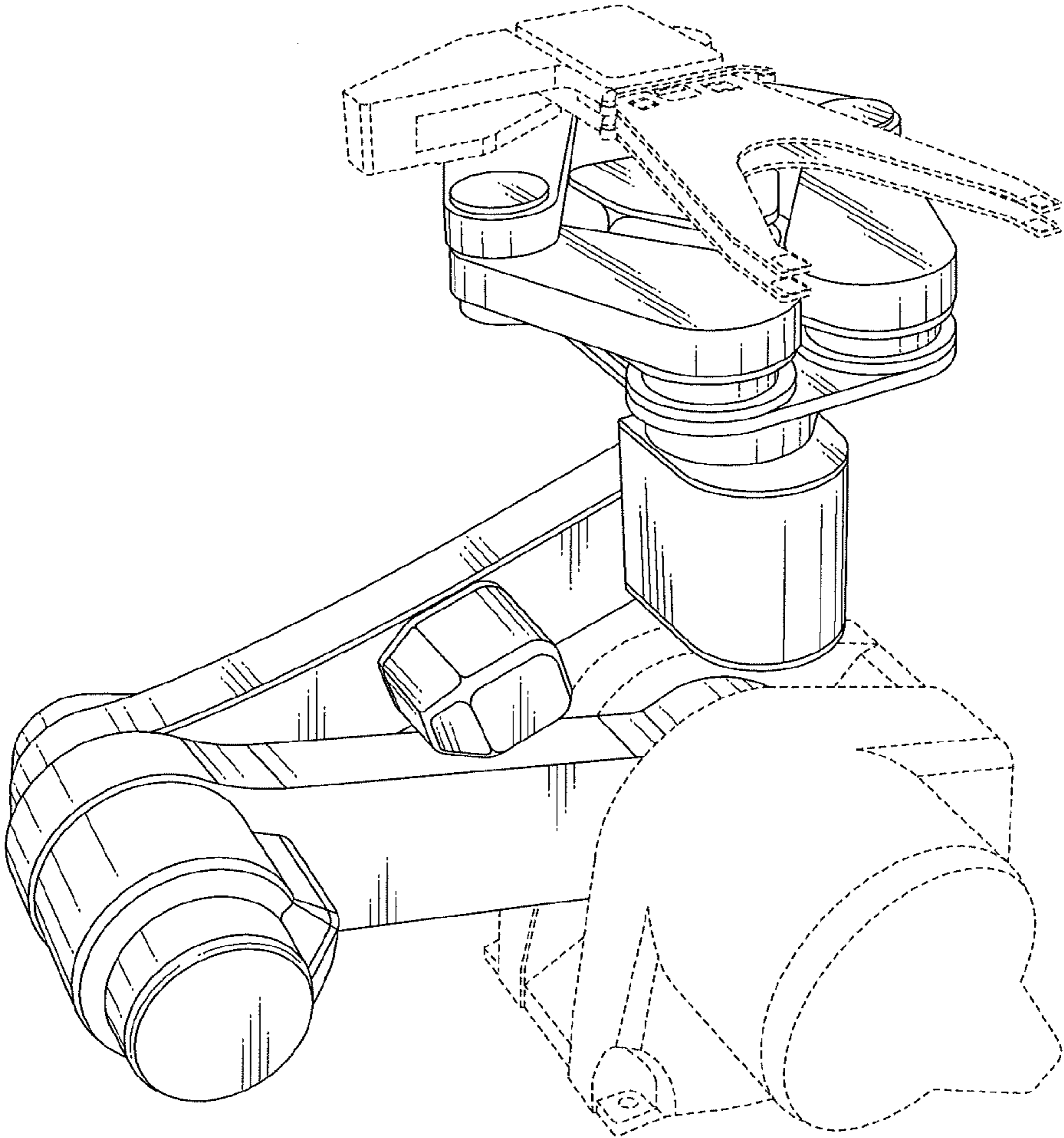


Fig. 2

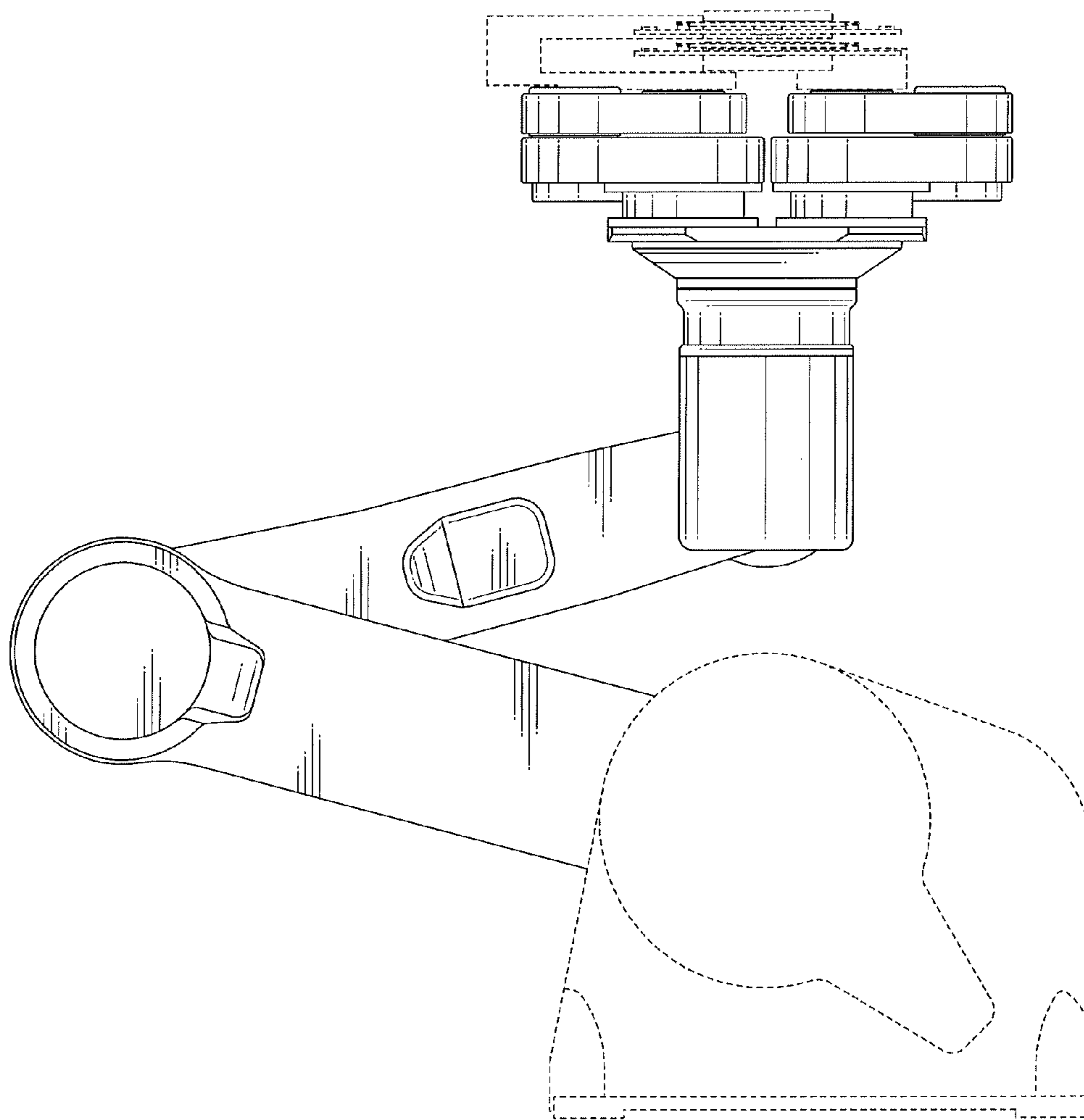


Fig. 3

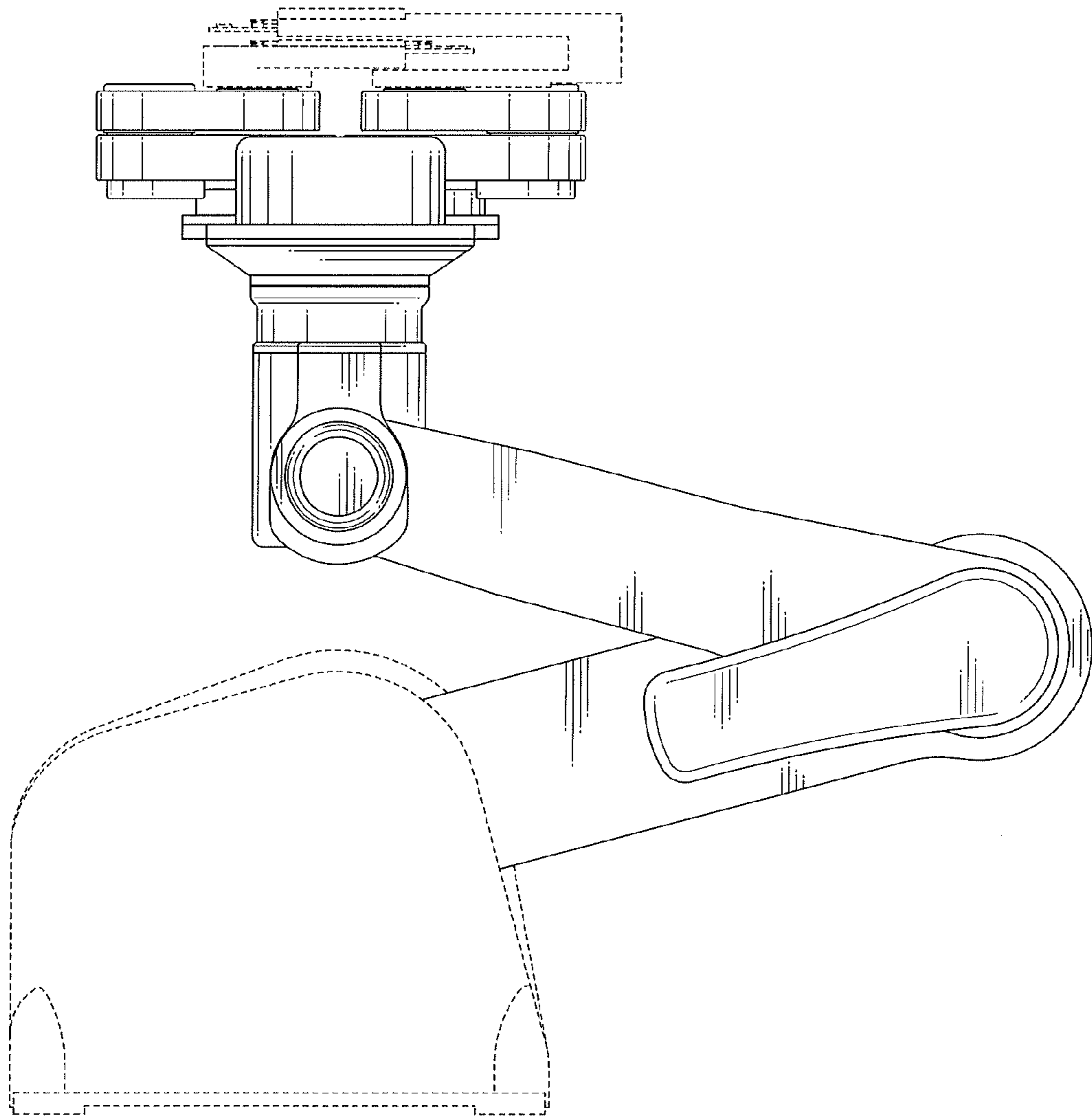


Fig. 4

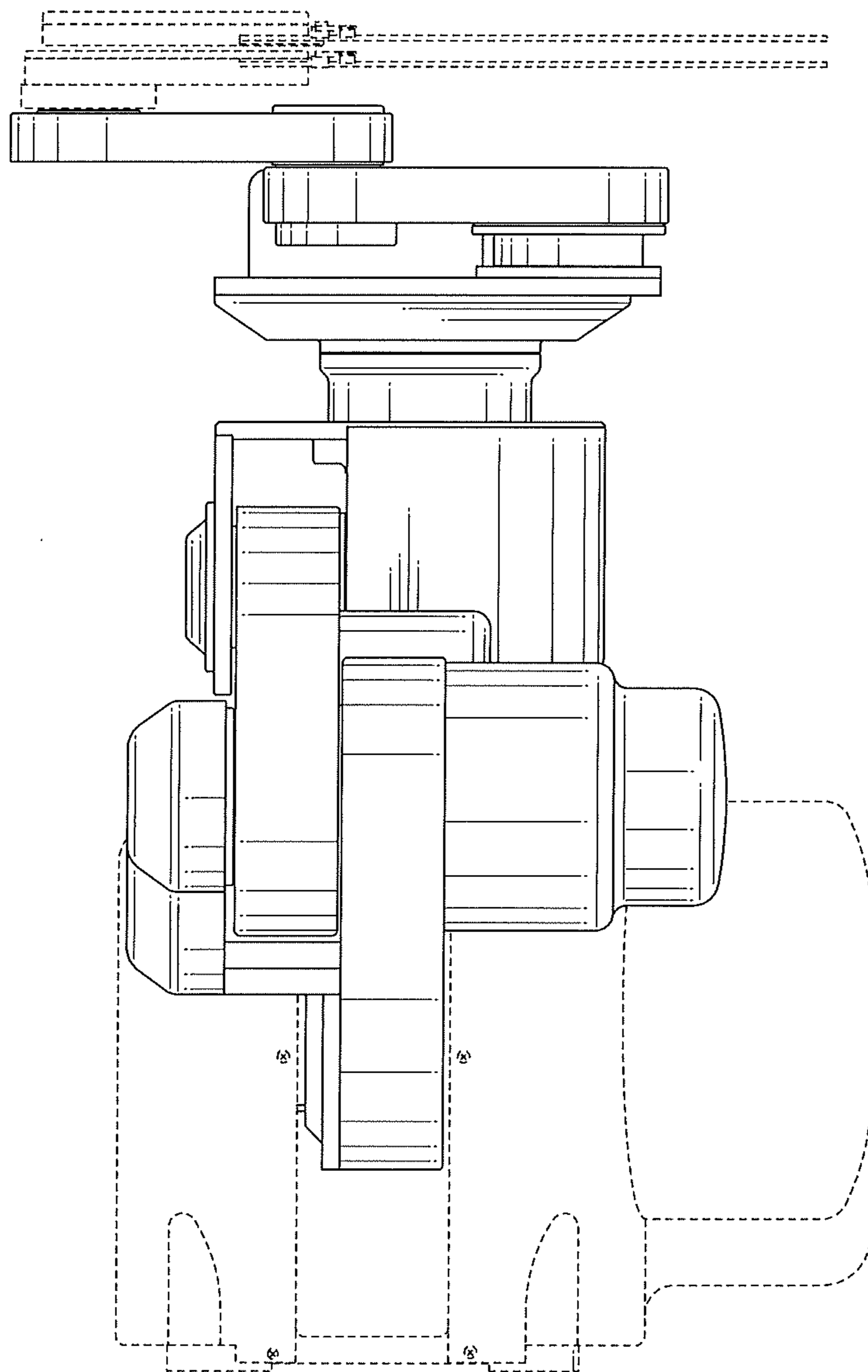


Fig. 5

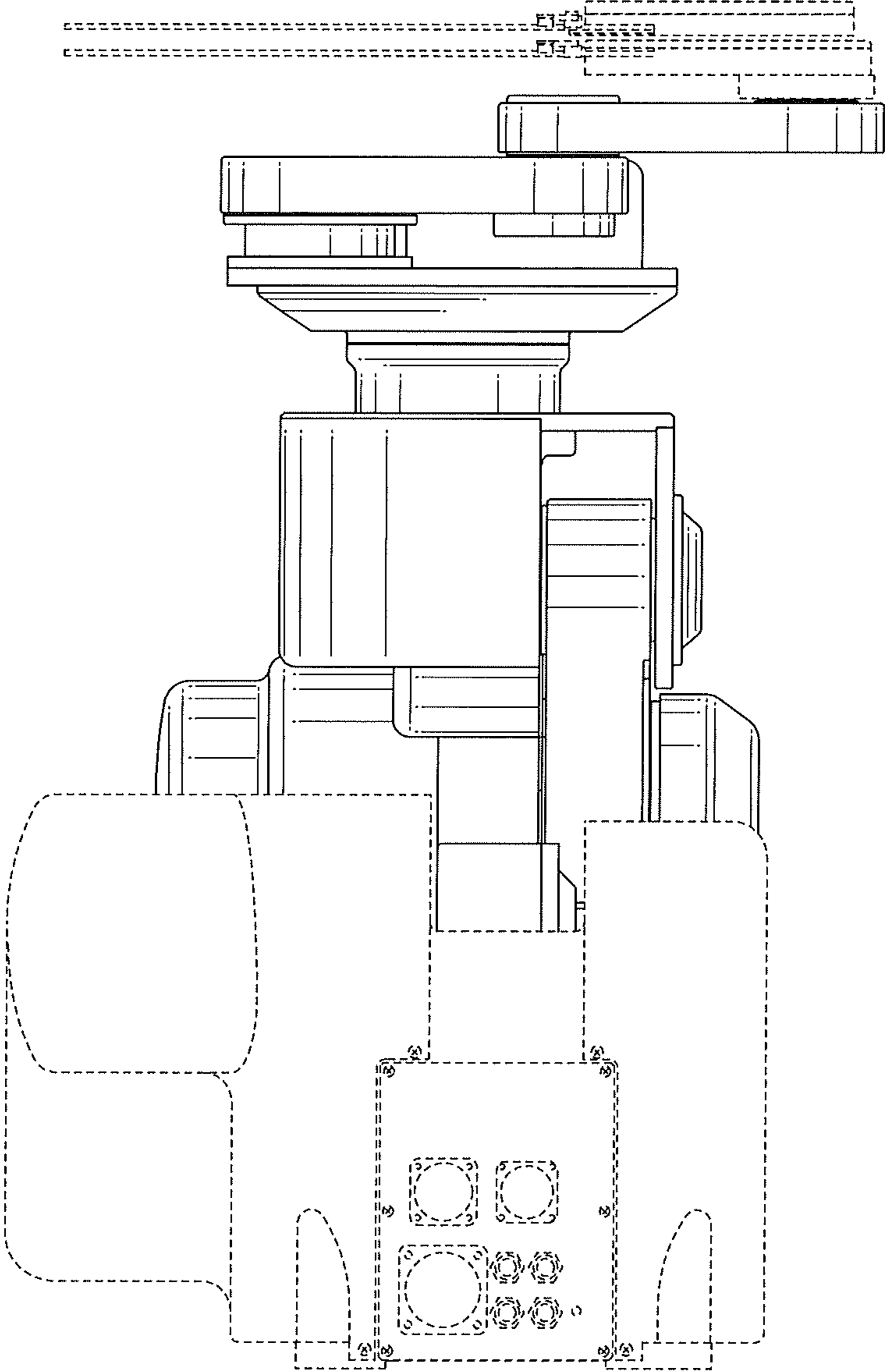


Fig. 6

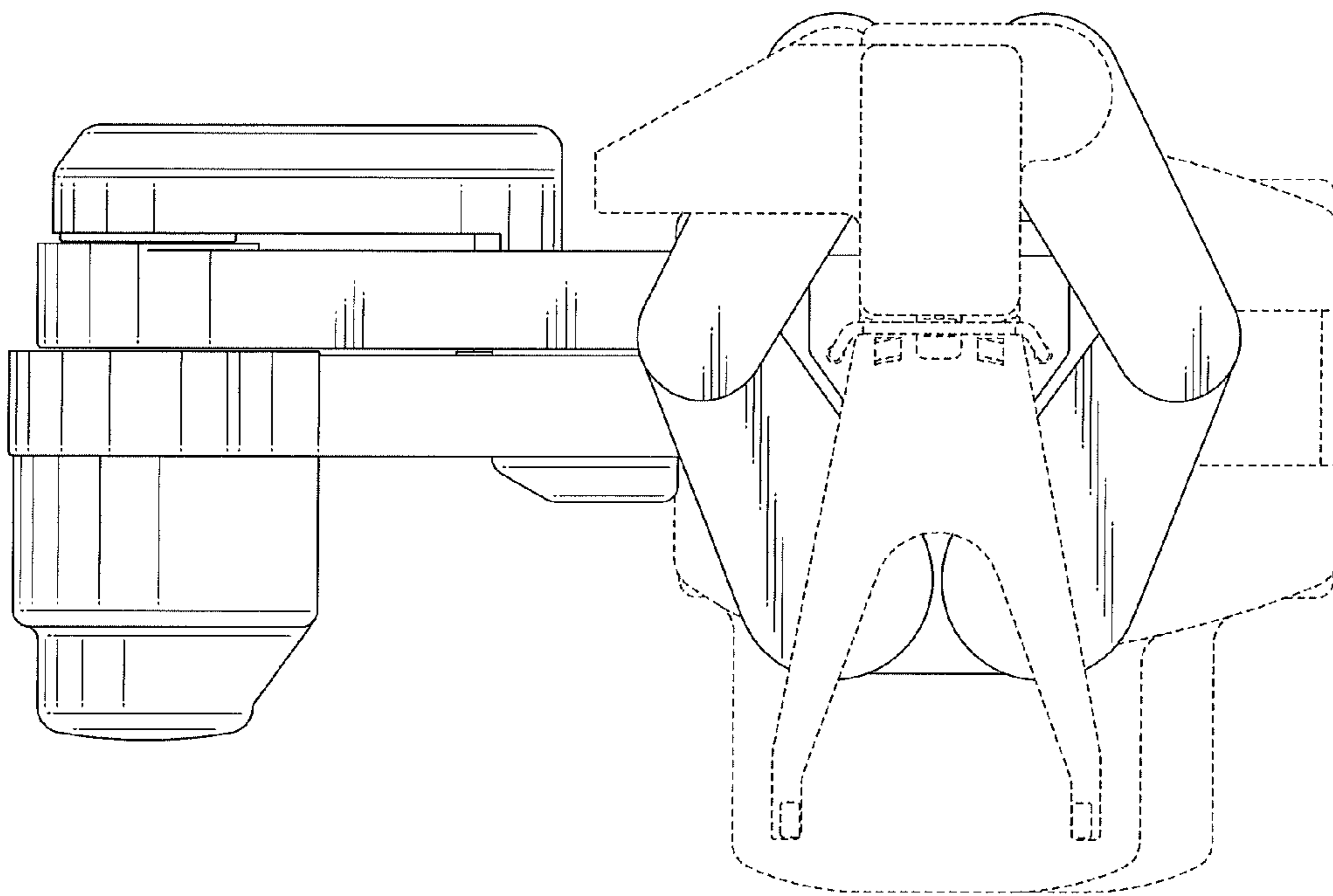


Fig. 7

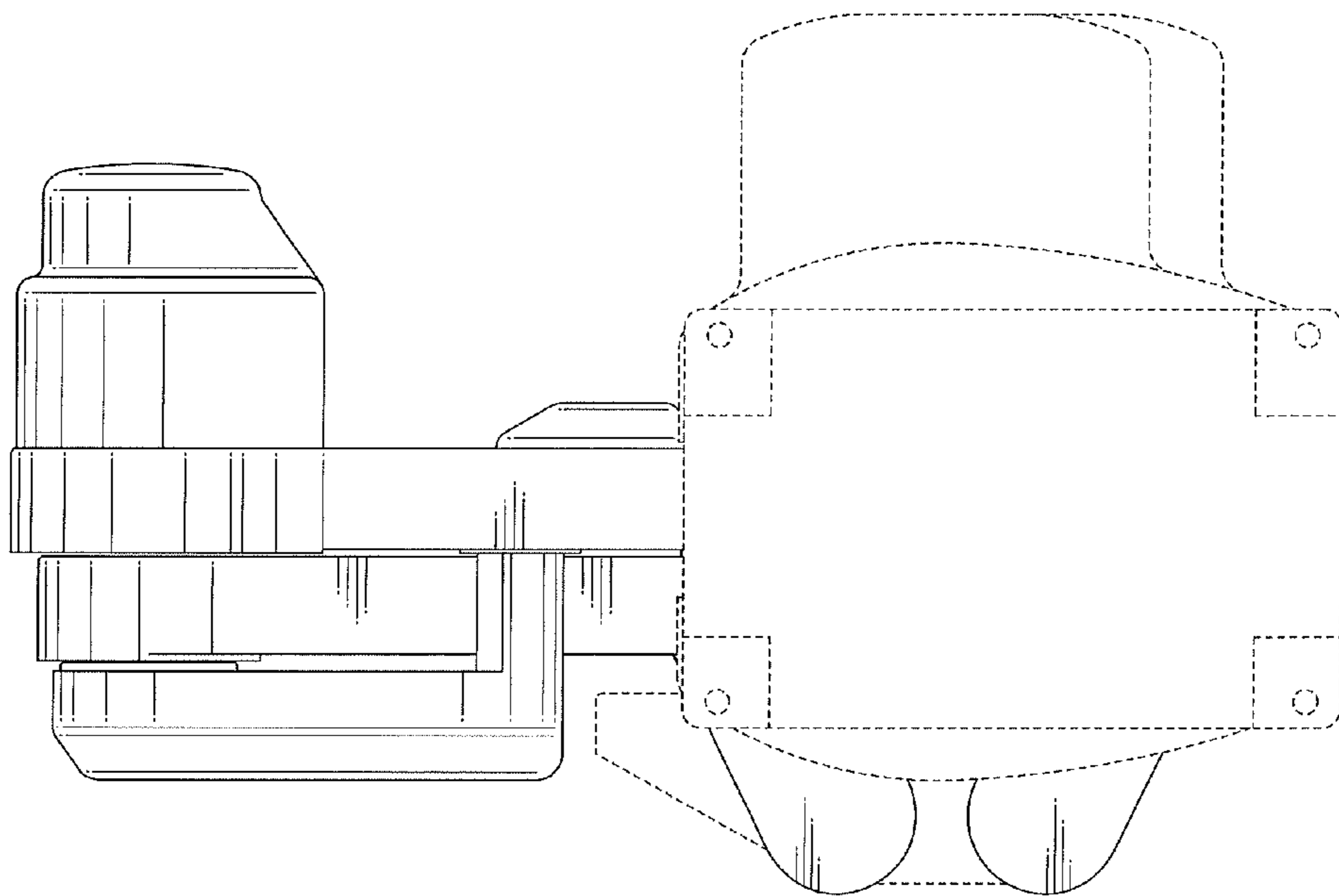


Fig. 8

