



US00D712447S

(12) **United States Design Patent**
He et al.

(10) **Patent No.:** **US D712,447 S**

(45) **Date of Patent:** **** Sep. 2, 2014**

(54) **ROBOT FOR TESTING ELECTRIC ENERGY METER**

(71) Applicants: **Chongqing Electric Power Research Institute**, Chongqing (CN); **Mianyang Gocreat Technology Co., Ltd.**, Mianyang Sichuan (CN)

(72) Inventors: **Jianjun He**, Chongqing (CN); **Xiyang Ou**, Chongqing (CN); **Xingzhe Hou**, Chongqing (CN); **Ke Zheng**, Chongqing (CN); **Quan Zhou**, Chongqing (CN); **Linxia Li**, Chongqing (CN); **Hua Wu**, Chongqing (CN); **Tianlian Hu**, Chongqing (CN); **Huang Tang**, Chongqing (CN); **Gang Chen**, Chongqing (CN); **Chao Tian**, Chongqing (CN); **Xiaorui Hu**, Chongqing (CN)

(73) Assignees: **Chongqing Electric Power Research Institute**, Chongqing (CN); **Mianyang Gocreat Technology Co., Ltd.**, Mianyang Sichuan (CN)

(**) Term: **14 Years**

(21) Appl. No.: **29/443,573**

(22) Filed: **Jan. 18, 2013**

(30) **Foreign Application Priority Data**

Jul. 20, 2012 (CN) 2012 3 0329407

(51) **LOC (10) Cl.** **15-99**

(52) **U.S. Cl.**
USPC **D15/199**

(58) **Field of Classification Search**

USPC D6/396, 397; D15/199; D20/21, 31, 99; D21/59, 578-583, 593, 621, 622; D24/176; D25/16; D32/21; D34/35; 74/490.01, 490.02, 490.03, 490.05; 180/8.6; 198/367, 370.1, 370.04, 772, 198/771, 782, 866, 890, 890.1; 219/124.34,

219/639; 318/560, 568.12, 568.2; 364/424.02; 414/744.1, 935, 936, 937, 414/938, 940; 446/268-274, 280, 285, 446/289-292, 294, 297-303, 353-355, 446/376-384

See application file for complete search history.

(56) **References Cited**

U.S. PATENT DOCUMENTS

D267,883 S *	2/1983	Susnjara	D15/199
D290,263 S *	6/1987	Shibayama et al.	D15/199
D334,581 S *	4/1993	Yoshikawa et al.	D15/199
D478,921 S *	8/2003	Kullborg et al.	D15/199
D548,759 S *	8/2007	Kraft	D15/199

* cited by examiner

Primary Examiner — Patricia Palasik

(74) *Attorney, Agent, or Firm* — Faegre Baker Daniels LLP

(57) **CLAIM**

We claim the ornamental design for the robot for testing electric energy meter, as shown and described.

DESCRIPTION

FIG. 1 is a front view of a robot for testing an electric energy meter according to the present application; FIG. 2 is a rear view of the robot for testing an electric energy meter according to the present application; FIG. 3 is a left view of the robot for testing an electric energy meter according to the present application; FIG. 4 is a right view of the robot for testing an electric energy meter according to the present application; FIG. 5 is a top view of the robot for testing an electric energy meter according to the present application; FIG. 6 is a first perspective view of the robot for testing an electric energy meter according to the present application; FIG. 7 is a second perspective view of the robot for testing an electric energy meter according to the present application; FIG. 8 is an enlarged view of circle 8 of FIG. 1 of the robot for testing an electric energy meter according to the present application;

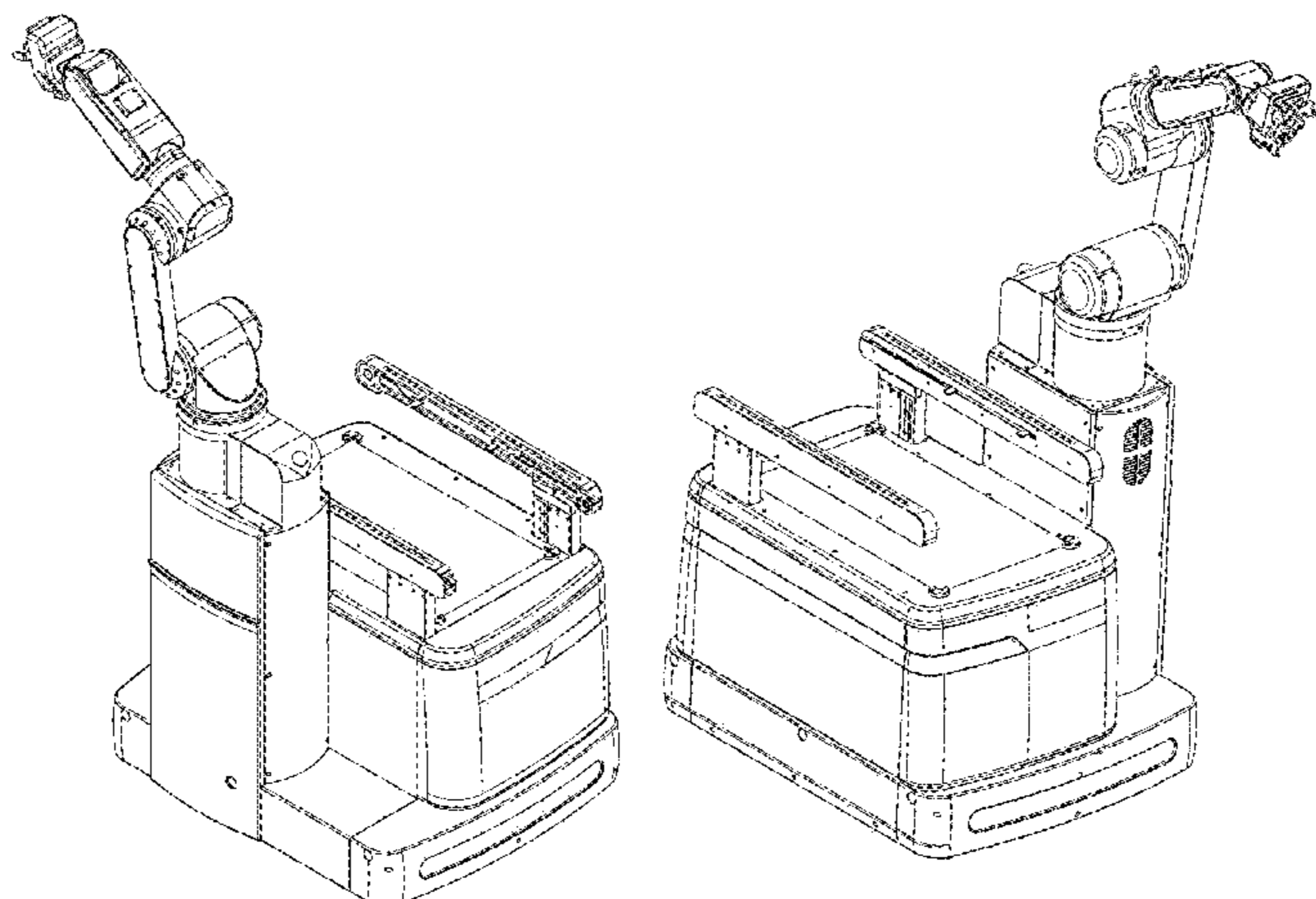


FIG. 9 is an enlarged view of circle 9 of FIG. 1 of the robot for testing an electric energy meter according to the present application;

FIG. 10 is an enlarged view of circle 10 of FIG. 3 of the robot for testing an electric energy meter according to the present application;

FIG. 11 is an enlarged view of circle 11 of FIG. 3 of the robot for testing an electric energy meter according to the present application;

FIG. 12 is an enlarged view of circle 12 of FIG. 3 of the robot for testing an electric energy meter according to the present application;

FIG. 13 is an enlarged view of circle 13 of FIG. 4 of the robot for testing an electric energy meter according to the present application; and,

FIG. 14 is an enlarged view of circle 14 of FIG. 4 of the robot for testing an electric energy meter according to the present application.

1 Claim, 14 Drawing Sheets

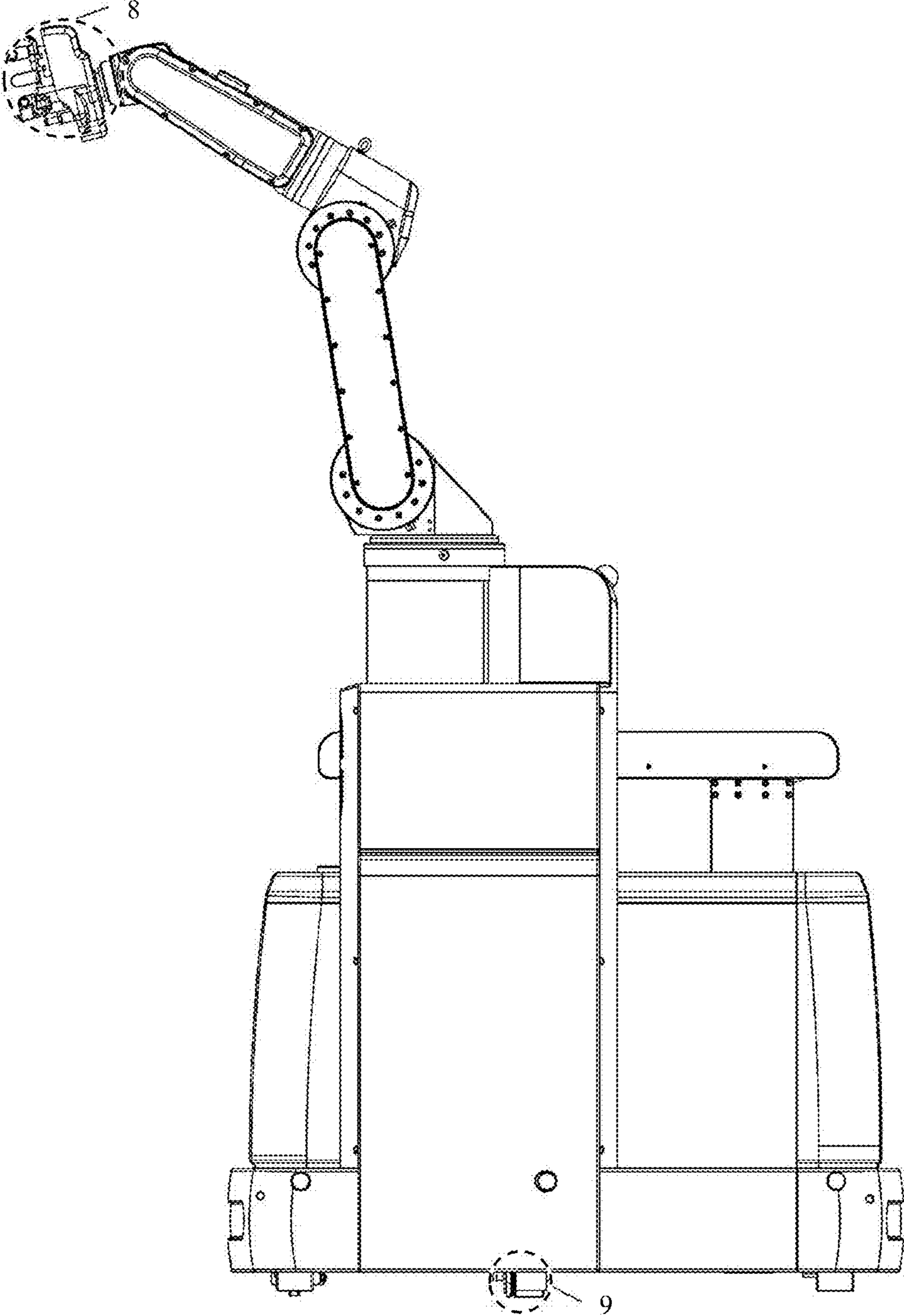


Figure 1

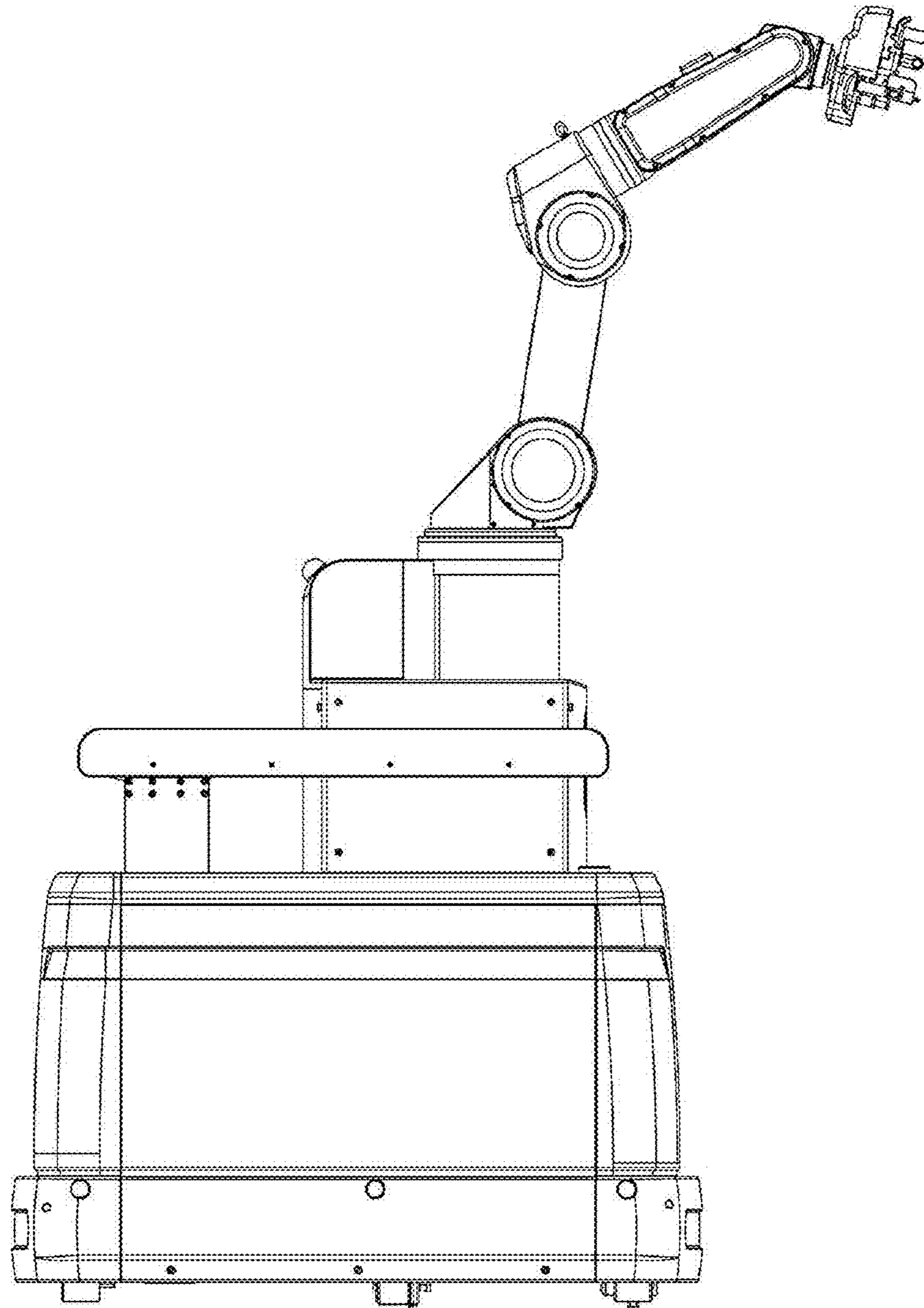


Figure 2

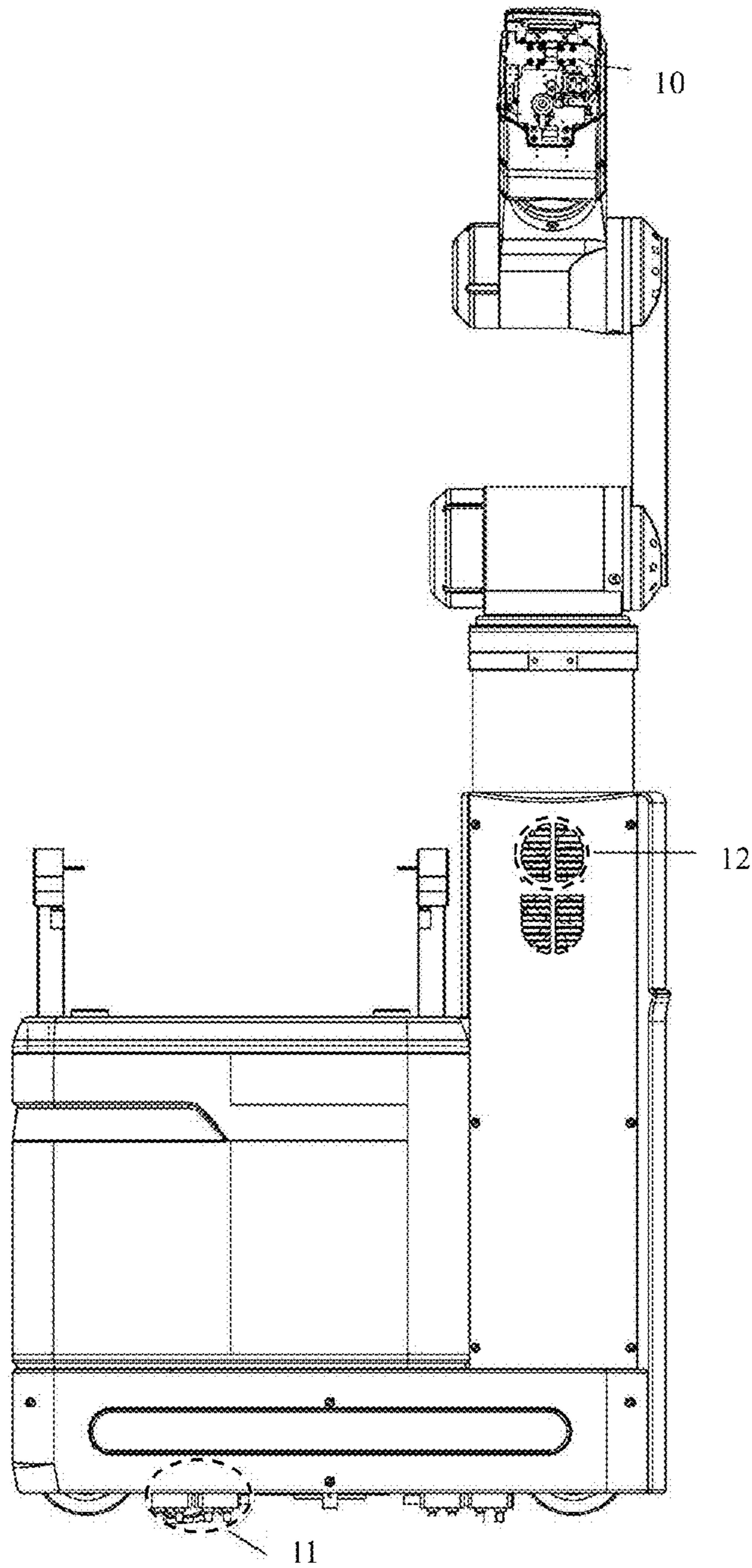


Figure 3

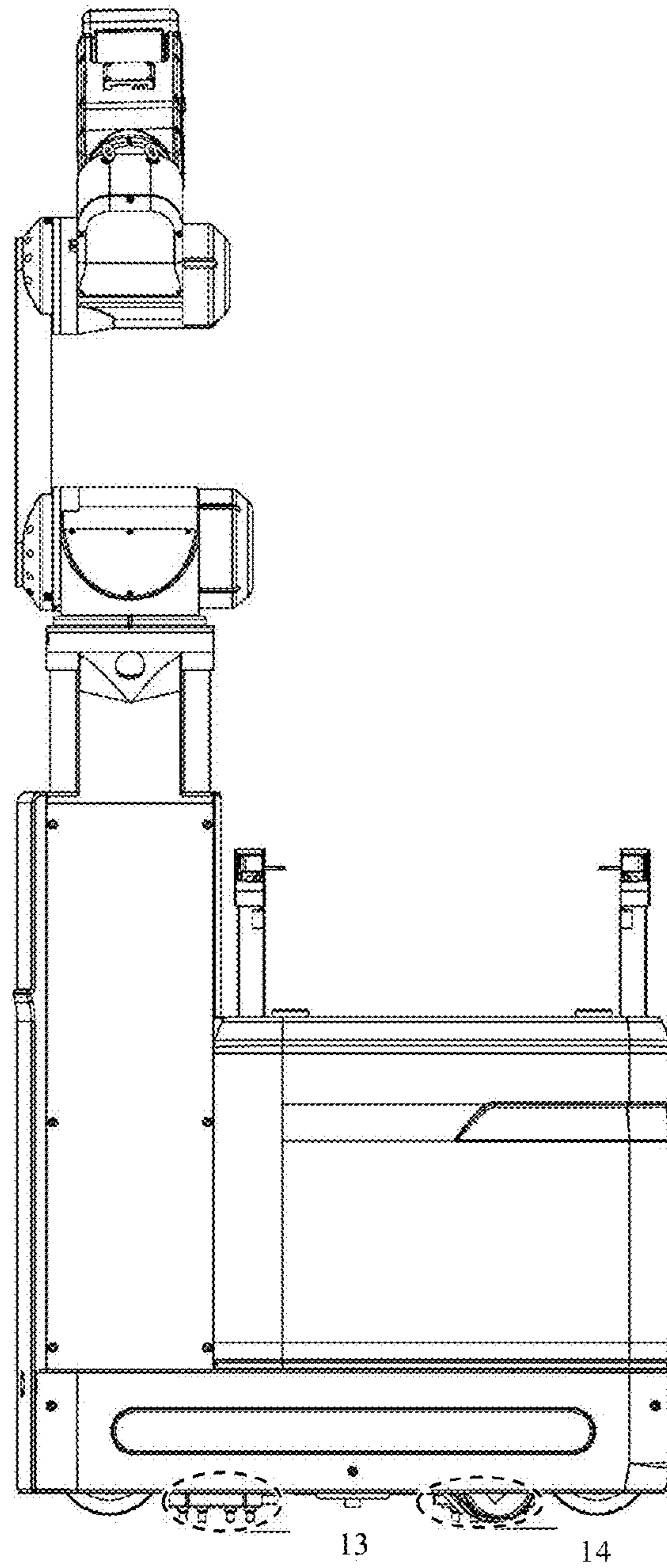


Figure 4

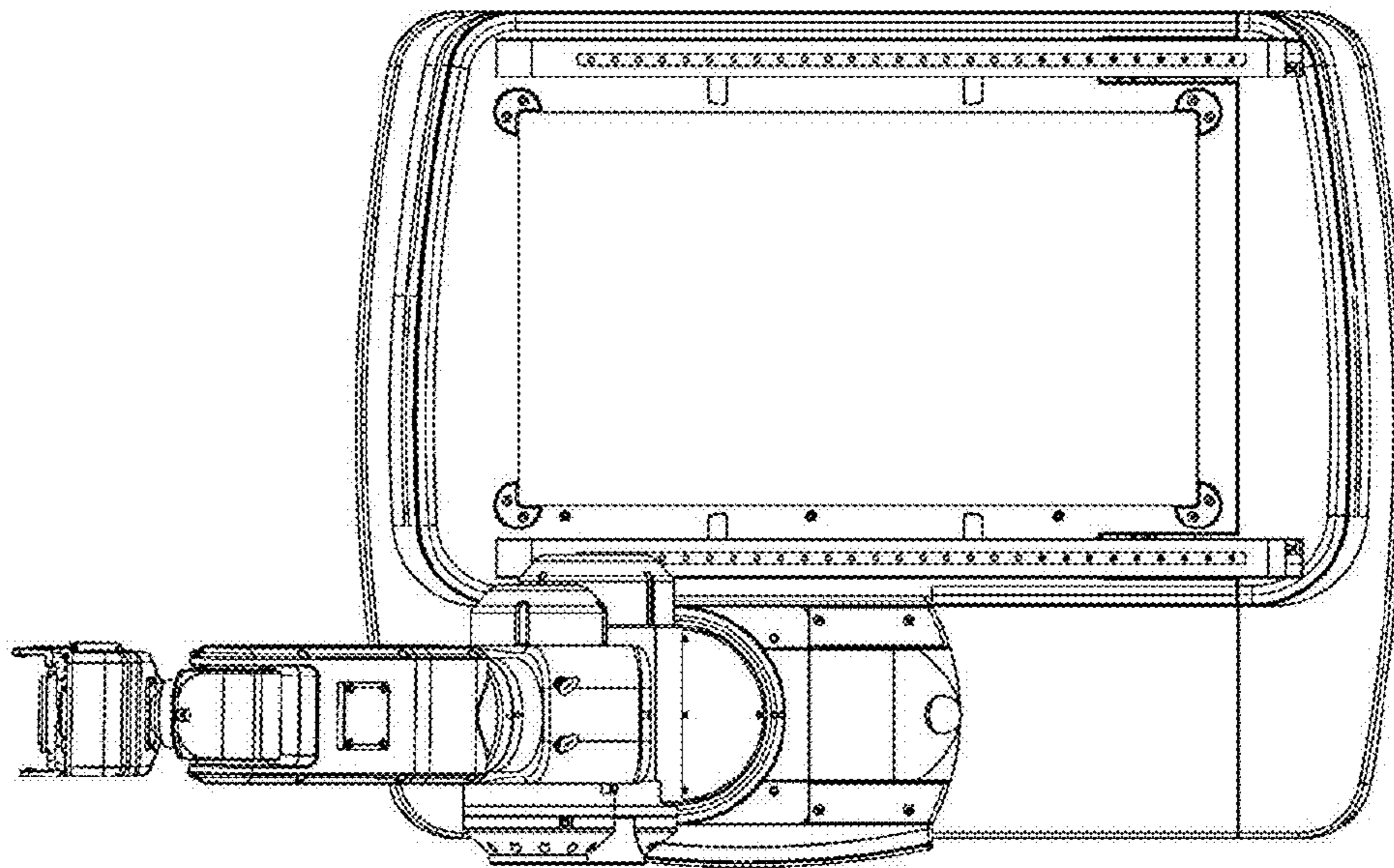


Figure 5

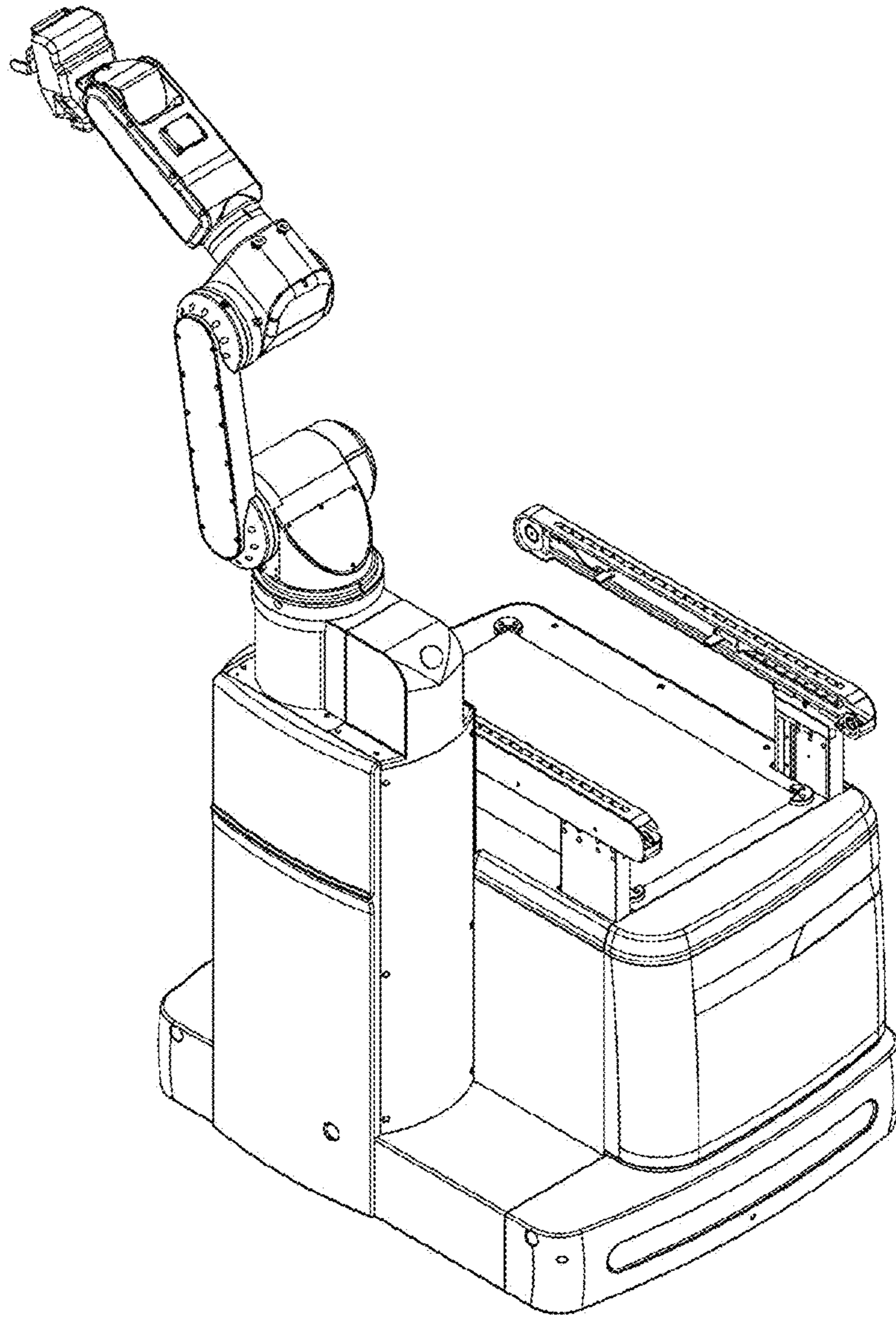


Figure 6

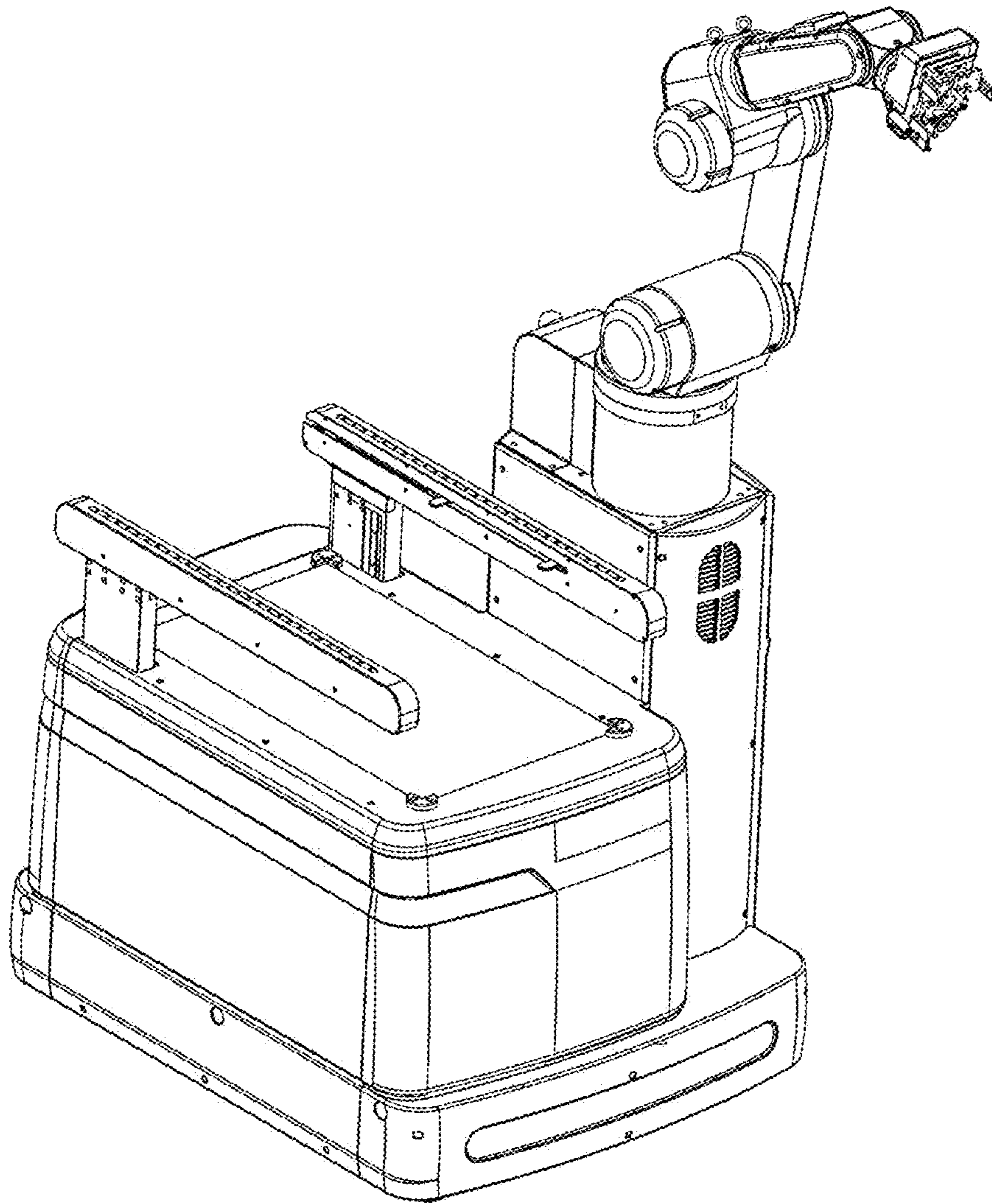


Figure 7

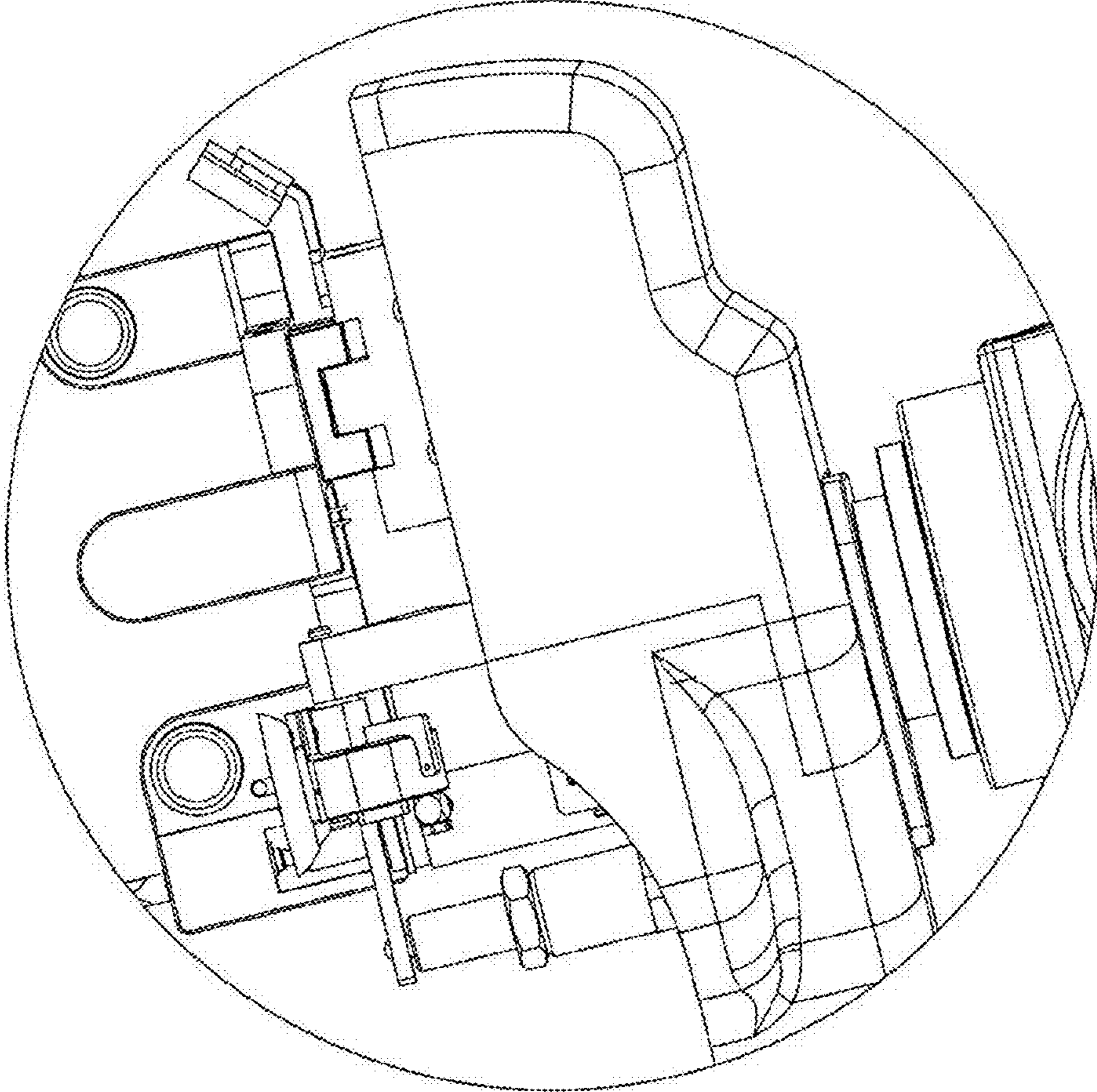


Figure 8

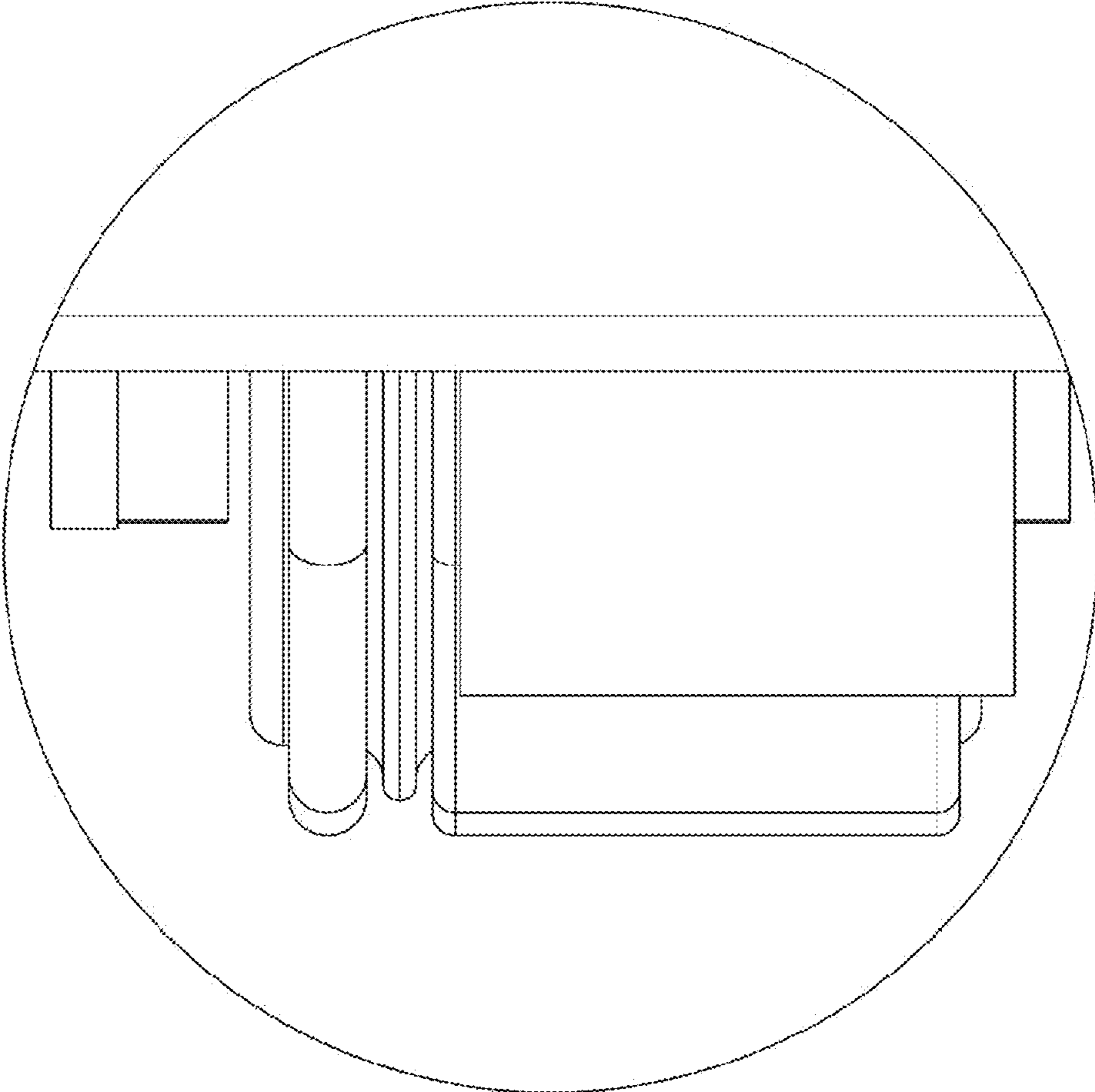


Figure 9

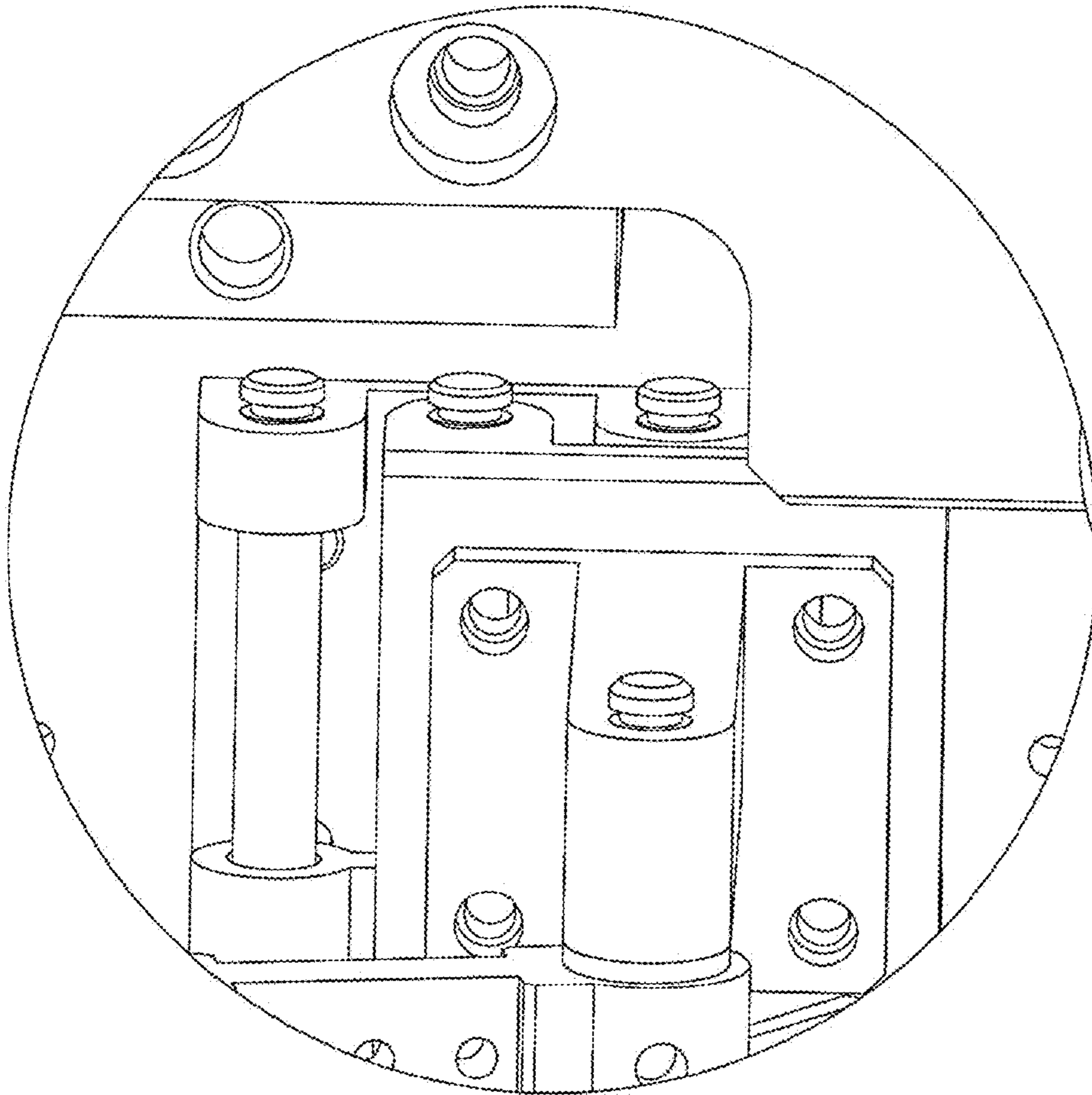


Figure 10

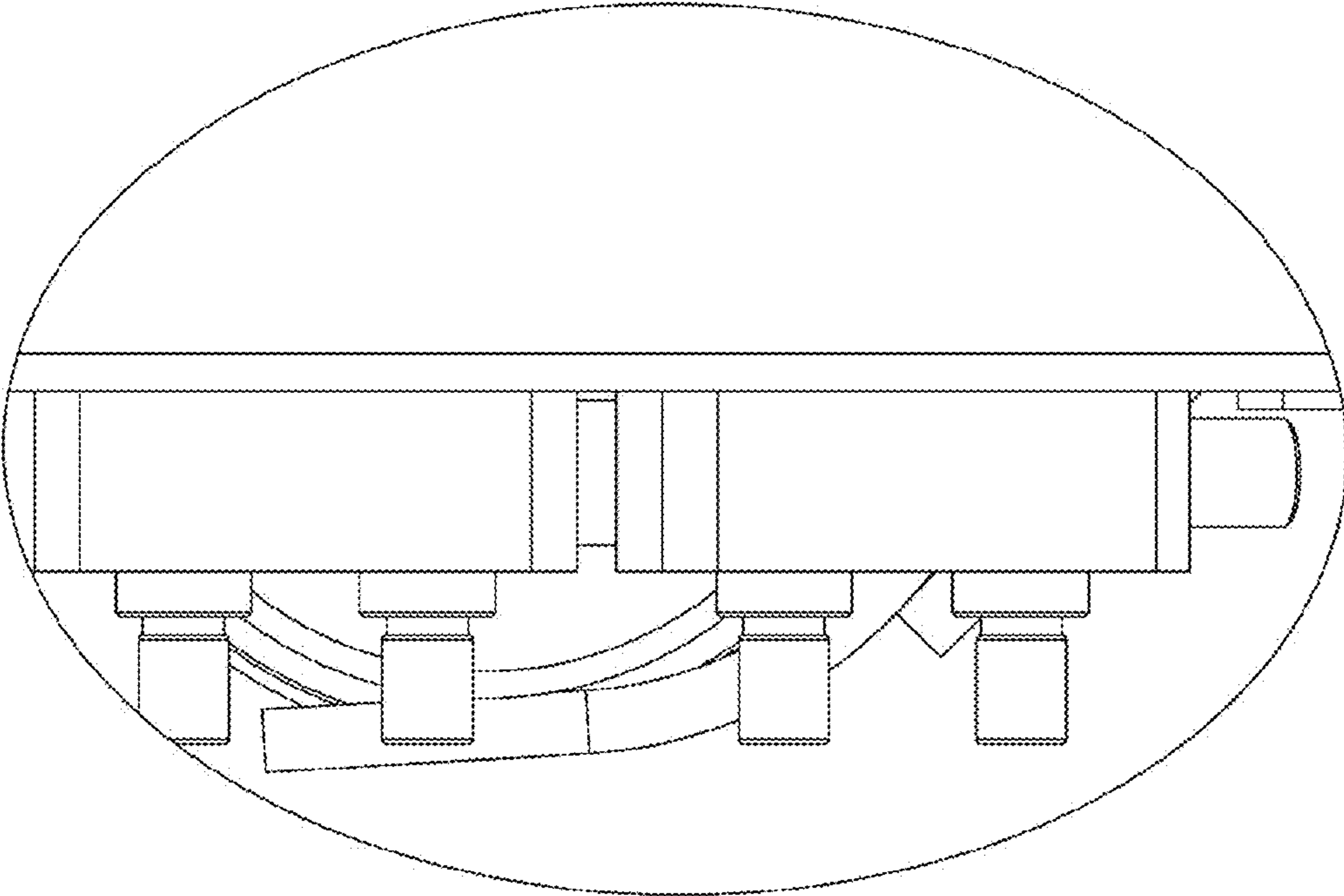


Figure 11

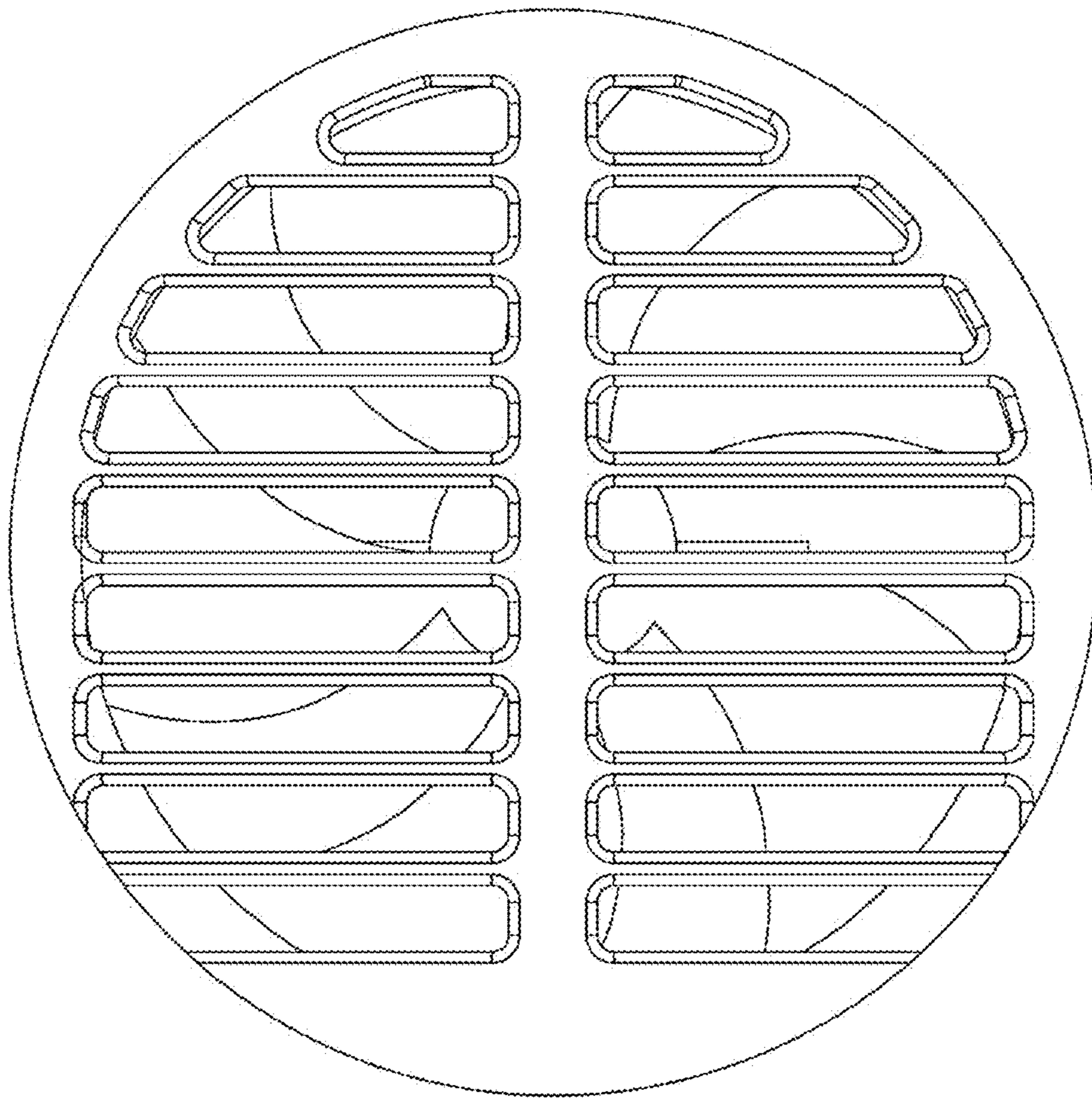


Figure 12

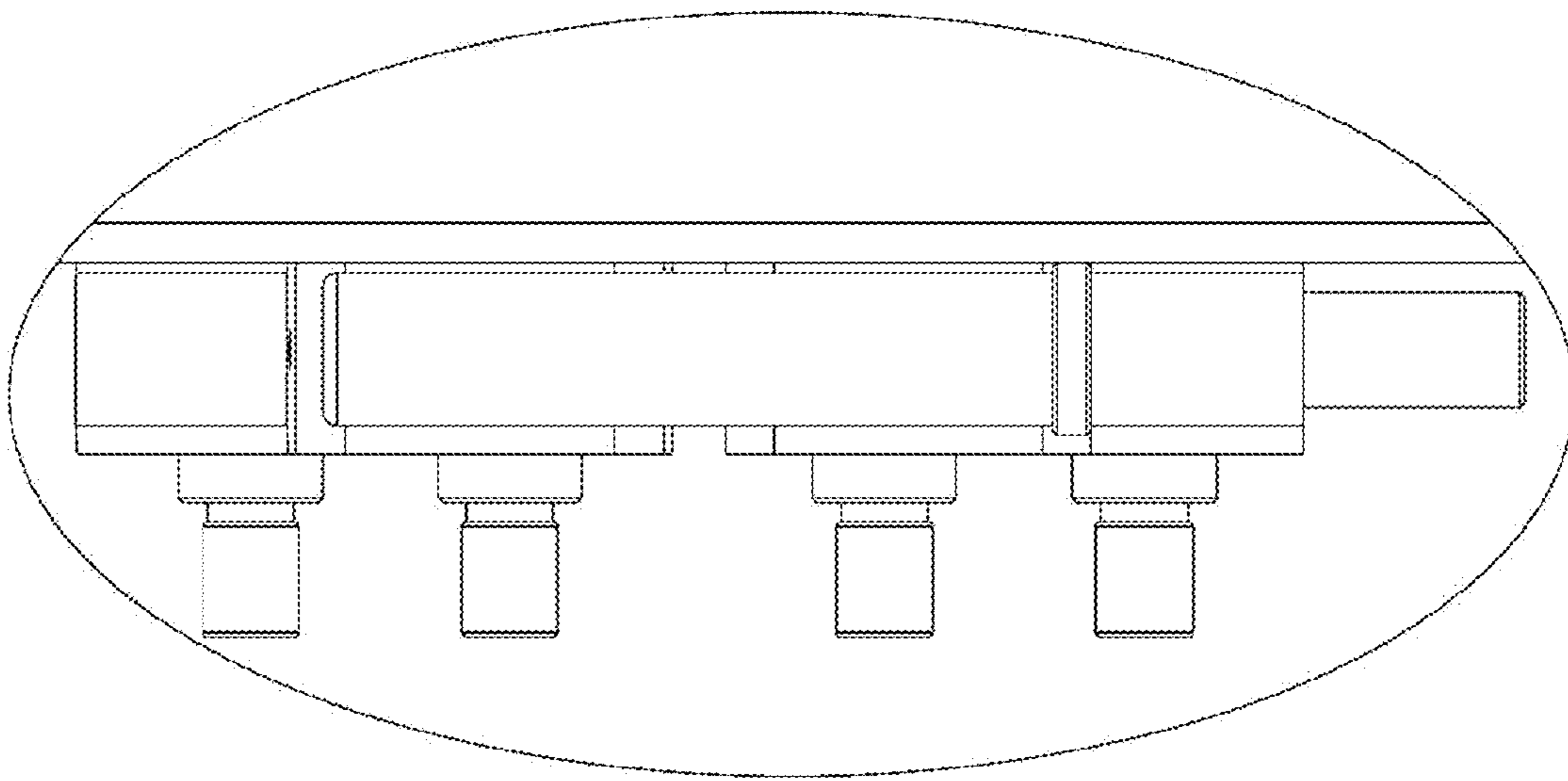


Figure 13

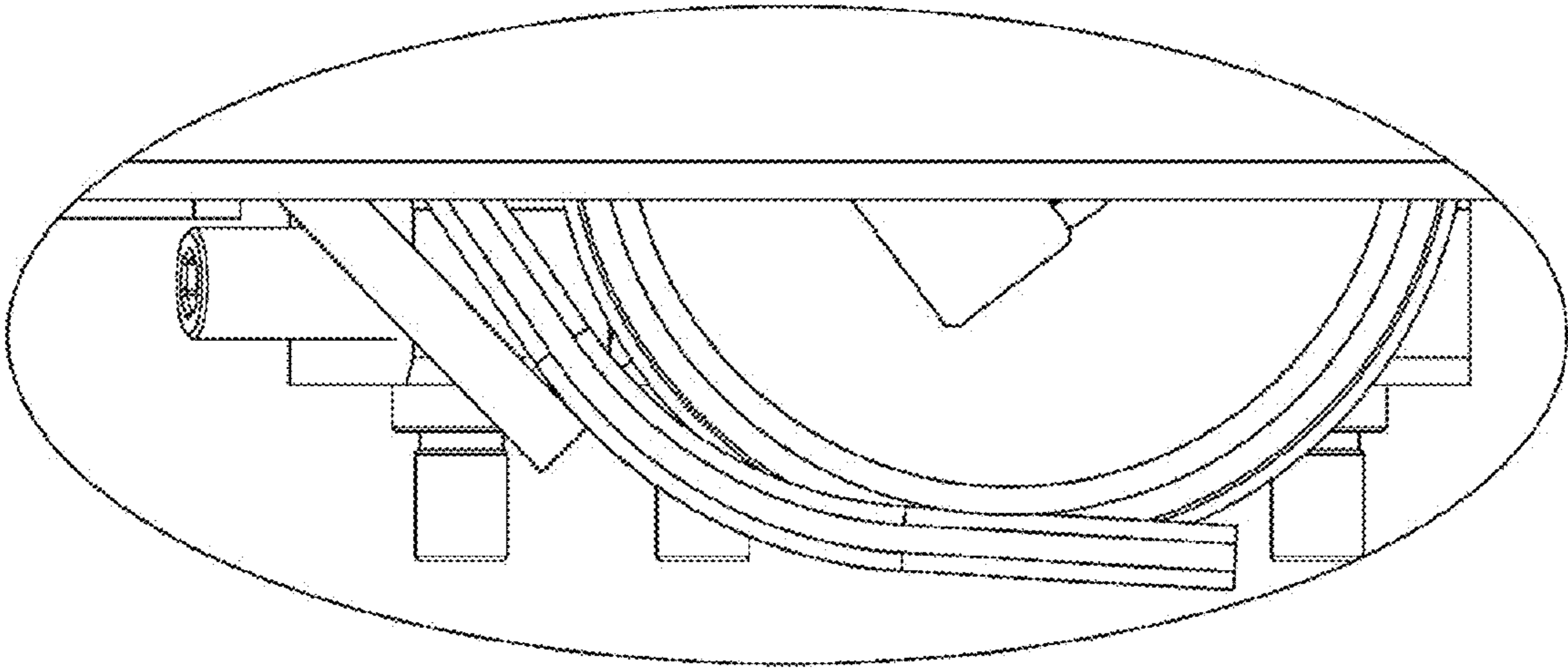


Figure 14

UNITED STATES PATENT AND TRADEMARK OFFICE
CERTIFICATE OF CORRECTION

PATENT NO. : D712,447 S
APPLICATION NO. : 29/443573
DATED : September 2, 2014
INVENTOR(S) : Jianjun He et al.

Page 1 of 1

It is certified that error appears in the above-identified patent and that said Letters Patent is hereby corrected as shown below:

Title Page

On page 1, in the fourth line of the “Applicants” section, delete the word “Miangyan” and replace therewith --Mianyang--.

Signed and Sealed this
Eighth Day of December, 2015



Michelle K. Lee
Director of the United States Patent and Trademark Office