



US00D712440S

(12) **United States Design Patent**  
**Coulter et al.**

(10) **Patent No.:** **US D712,440 S**

(45) **Date of Patent:** **\*\* Sep. 2, 2014**

(54) **ICE BIN AND COVER ASSEMBLY FOR A REFRIGERATOR**

(71) Applicants: **Tim L. Coulter**, Cedar Rapids, IA (US); **Thomas E. Gose**, Cedar Rapids, IA (US); **Steven G. Herndon**, Cedar Rapids, IA (US); **James H. Jenkins, Jr.**, South Amana, IA (US); **Bill J. Koons**, Cedar Rapids, IA (US); **Brent A. Kramer**, Cedar Rapids, IA (US); **Scott W. Leimkuehler**, Swisher, IA (US); **Dean A. Martin**, Solon, IA (US); **Alvin V. Miller**, Swisher, IA (US); **Kevin Lee Noel**, Atkins, IA (US)

(72) Inventors: **Tim L. Coulter**, Cedar Rapids, IA (US); **Thomas E. Gose**, Cedar Rapids, IA (US); **Steven G. Herndon**, Cedar Rapids, IA (US); **James H. Jenkins, Jr.**, South Amana, IA (US); **Bill J. Koons**, Cedar Rapids, IA (US); **Brent A. Kramer**, Cedar Rapids, IA (US); **Scott W. Leimkuehler**, Swisher, IA (US); **Dean A. Martin**, Solon, IA (US); **Alvin V. Miller**, Swisher, IA (US); **Kevin Lee Noel**, Atkins, IA (US); **Mauro M. Oliveira**, Cedar Rapids, IA (US); **Lester J. Ott**, Swisher, IA (US); **Ron S. Paulsen**, Marengo, IA (US); **Chad J. Rotter**, Amana, IA (US); **David Allen Stauffer**, Belle Plaine, IA (US); **Kyle B. Van Meter**, Coralville, IA (US); **Alan M. Welch**, Lewistown, IL (US); **Robert L. Wetekamp**, Newburgh, IN (US)

(73) Assignee: **Whirlpool Corporation**, Benton Harbor, MI (US)

(\*\*) Term: **14 Years**

(21) Appl. No.: **29/442,503**

(22) Filed: **Mar. 15, 2013**

**Related U.S. Application Data**

(63) Continuation of application No. 11/421,800, filed on Jun. 2, 2006, now Pat. No. 8,695,370, which is a continuation of application No. 11/139,237, filed on May 27, 2005, now Pat. No. 7,337,620, which is a

continuation-in-part of application No. 11/131,701, filed on May 18, 2005, now Pat. No. 7,284,390.

(51) **LOC (10) Cl.** ..... **15-07**

(52) **U.S. Cl.**  
USPC ..... **D15/89**

(58) **Field of Classification Search**  
CPC ..... F25C 5/18; F25C 5/182; F25C 5/187; F25C 5/00  
USPC ..... D15/79-89; 62/344, 441, 353, 426, 66, 62/135, 137  
See application file for complete search history.

(56) **References Cited**

U.S. PATENT DOCUMENTS

3,902,331 A 9/1975 True, Jr. et al.  
4,209,999 A 7/1980 Falk et al.

(Continued)

FOREIGN PATENT DOCUMENTS

CN 1340685 A 3/2002  
CN 1412509 A 4/2003

(Continued)

OTHER PUBLICATIONS

JP 2-29589—English Translation.

(Continued)

*Primary Examiner* — Mitchell Siegel

(57) **CLAIM**

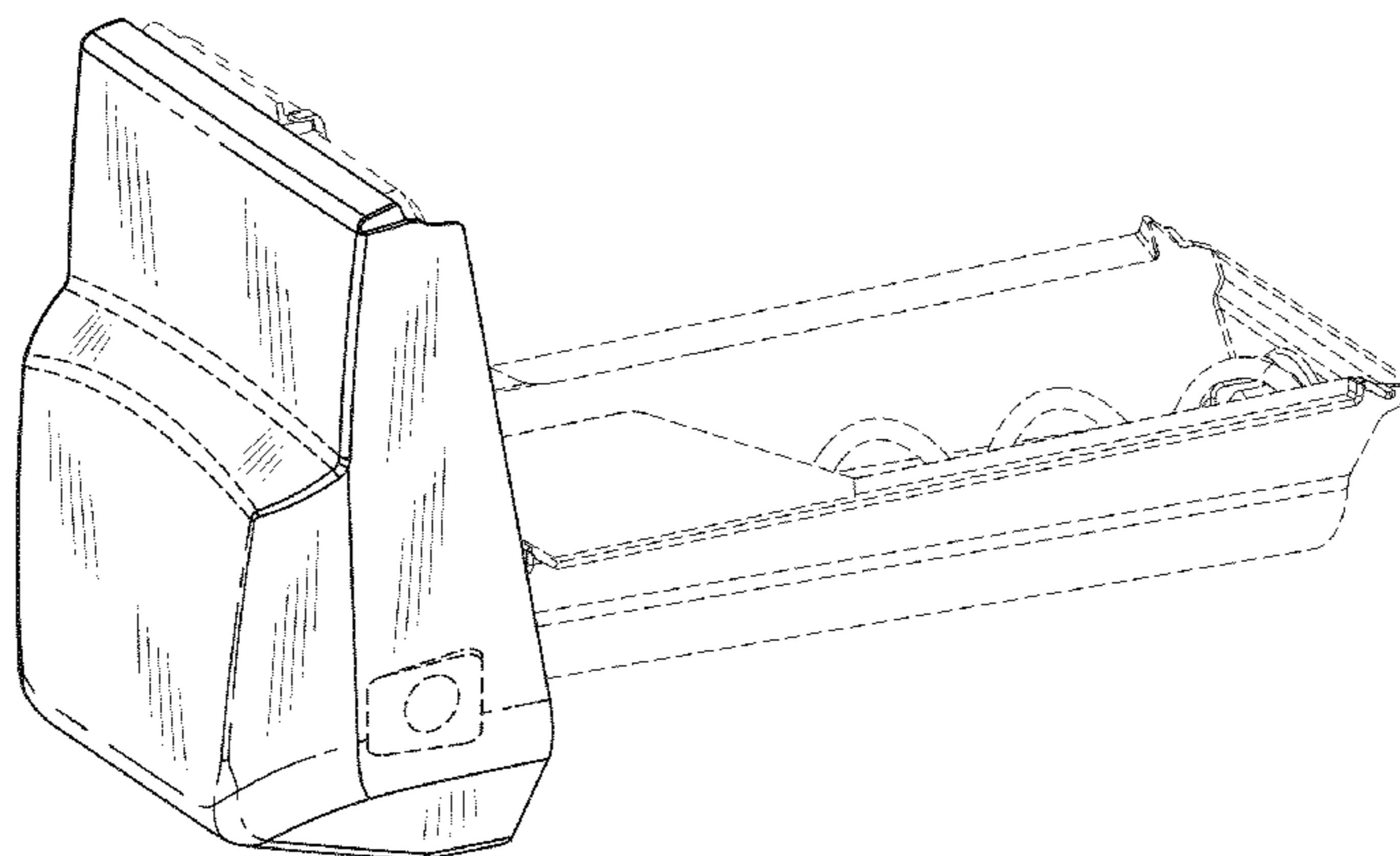
We claim the ornamental design for an ice bin and cover assembly for a refrigerator, substantially as shown and described.

**DESCRIPTION**

FIG. 1 is a perspective view of an ice bin and cover assembly for a refrigerator of the present invention; FIG. 2 is a front elevational view thereof; FIG. 3 is a right side elevational view thereof; FIG. 4 is a left side elevational view thereof; FIG. 5 is a top plan view thereof; FIG. 6 is a bottom plan view thereof; and, FIG. 7 is a rear elevational view thereof.

The broken line portions of the drawings are for illustrative purposes only and form no part of the claimed design.

**1 Claim, 7 Drawing Sheets**



(56)

References Cited

U.S. PATENT DOCUMENTS

4,333,588 A 6/1982 Schreck et al.  
 4,872,318 A 10/1989 Kemmensen  
 5,037,004 A \* 8/1991 Katz et al. .... 62/344  
 5,056,688 A 10/1991 Goetz et al.  
 D324,869 S \* 3/1992 Carper ..... D15/90  
 2,717,505 A 9/1995 Andersson  
 D372,739 S 8/1996 Bustos  
 6,574,982 B1 6/2003 Wiseman et al.  
 D484,150 S 12/2003 Becke  
 6,964,177 B2 \* 11/2005 Lee et al. .... 62/320  
 7,065,975 B1 \* 6/2006 Herndon et al. .... 62/66  
 7,076,967 B2 \* 7/2006 Lee et al. .... 62/353  
 7,185,507 B2 \* 3/2007 Maglinger et al. .... 62/344  
 7,228,703 B2 6/2007 Kim et al.  
 D549,745 S \* 8/2007 Coulter et al. .... D15/89  
 7,266,972 B2 \* 9/2007 Anselmino et al. .... 62/344  
 7,284,390 B2 \* 10/2007 Van Meter et al. .... 62/344  
 7,316,121 B2 \* 1/2008 Lee et al. .... 62/344  
 7,337,620 B2 \* 3/2008 Coulter et al. .... 62/137  
 7,591,141 B2 9/2009 Wetekamp et al.  
 7,870,754 B2 \* 1/2011 Martin et al. .... 62/344  
 8,011,202 B2 \* 9/2011 Kim et al. .... 62/344  
 8,117,863 B2 2/2012 Van Meter et al.  
 D694,297 S \* 11/2013 Coulter et al. .... D15/89  
 2004/0237565 A1 \* 12/2004 Lee et al. .... 62/344  
 2005/0056043 A1 \* 3/2005 Lee et al. .... 62/344  
 2006/0086128 A1 4/2006 Maglinger et al.  
 2006/0086129 A1 4/2006 Anselmino et al.  
 2006/0086130 A1 4/2006 Anselmino et al.  
 2006/0086131 A1 4/2006 Pastryk et al.  
 2006/0086132 A1 4/2006 Maglinger et al.  
 2006/0201189 A1 9/2006 Adamski et al.  
 2006/0266055 A1 \* 11/2006 Anderson et al. .... 62/135  
 2007/0245762 A1 10/2007 Maglinger et al.  
 2008/0011010 A1 1/2008 Koons et al.  
 2008/0016900 A1 1/2008 Bippus et al.  
 2008/0041090 A1 \* 2/2008 Lee et al. .... 62/344  
 2008/0134709 A1 6/2008 Fischer et al.  
 2008/0168794 A1 7/2008 Cho et al.  
 2008/0289355 A1 11/2008 Kang et al.  
 2009/0038330 A1 2/2009 Lee et al.  
 2009/0064703 A1 3/2009 Kim et al.  
 2009/0064704 A1 3/2009 Wu et al.  
 2009/0173098 A1 7/2009 Kim et al.  
 2009/0255289 A1 10/2009 Friedmann et al.  
 2010/0037631 A1 \* 2/2010 Choi et al. .... 62/66  
 2010/0050677 A1 3/2010 Lu et al.  
 2010/0050681 A1 3/2010 Ryu et al.  
 2010/0058796 A1 3/2010 Kim  
 2010/0077789 A1 4/2010 Lim et al.  
 2010/0199701 A1 \* 8/2010 Yoon et al. .... 62/344  
 2010/0257887 A1 10/2010 Hwang  
 2010/0287970 A1 11/2010 Choi

FOREIGN PATENT DOCUMENTS

JP 49-77571 B 7/1974  
 JP 51-21165 2/1976  
 JP 56-47453 O 4/1981  
 JP 2-29589 A 1/1990  
 JP 2-103382 A 4/1990  
 JP 4-15477 A 1/1992  
 JP 4-222378 A 8/1992  
 JP 5-10660 A 1/1993  
 JP 5-66084 A 3/1993  
 JP 5-71849 A 3/1993  
 JP 5-79367 U 10/1993  
 JP 6-11228 A 1/1994  
 JP 6-147743 A 5/1994  
 JP 7-19701 A 1/1995  
 JP 7-174453 A 7/1995  
 JP 7-294115 A 11/1995  
 JP 7-301479 A 11/1995  
 JP 7-305946 A 11/1995

JP 8-61824 A 3/1996  
 JP 8-271110 A 10/1996  
 JP 9-145210 A 6/1997  
 JP 9-303944 A 11/1997  
 JP 11-101544 A 4/1999  
 JP 11-211308 A 8/1999  
 JP 2000-9372 A 1/2000  
 JP 2000-111229 A 4/2000  
 JP 2000-161830 A 6/2000  
 JP 2000-266458 A 9/2000  
 JP 2000-337760 A 12/2000  
 JP 2001-116410 A 4/2001  
 JP 2001-349657 A 12/2001  
 JP 2002-139271 A 5/2002  
 JP 2002-181429 A 6/2002  
 JP 2003-10896 A 1/2003  
 JP 2003-114075 A 4/2003  
 JP 2003-121043 A 4/2003  
 JP 2003-262438 A 9/2003  
 JP 2004-53092 A 2/2004  
 JP 3545617 B2 4/2004  
 JP 2006105418 A2 4/2006  
 JP 4032673 B2 11/2007  
 KR 1988-0000896 A 3/1988  
 KR 1994-0011915 A 6/1994  
 KR 95-25387 A 9/1995  
 KR 1996-0018479 A 6/1996  
 KR 1997-0059690 A 8/1997  
 KR 1999-001784 A 1/1999  
 KR 1999-007058 A 1/1999  
 KR 1999-0156726 B1 1/1999  
 KR 1999-0034649 A 5/1999  
 KR 1999-0182534 B1 5/1999  
 KR 1999-0021510 U 6/1999  
 KR 1999-0031599 U 7/1999  
 KR 1999-0056269 A 7/1999  
 KR 200164305 Y1 10/1999  
 KR 20-0256596 Y1 12/2001  
 KR 10-0356542 B1 10/2002  
 KR 2003-0018246 A 3/2003  
 KR 2003-0030961 A 4/2003  
 KR 2003-0092871 A 12/2003  
 KR 30-0355715 S 7/2004  
 KR 2004-00571587 A 7/2004  
 KR 2004-0102570 A 12/2004  
 KR 2005-0023863 A 3/2005  
 KR 2005-0028227 A 3/2005  
 KR 2005-0028656 A 3/2005  
 KR 2005-0028657 A 3/2005  
 KR 2005-0028658 A 3/2005  
 KR 2005-0094673 A 9/2005  
 KR 2005-0117536 A 12/2005  
 WO WO2008/135473 A2 11/2008

OTHER PUBLICATIONS

JP 2-103382, Matsushita Refrig Co Ltd—English Translation.  
 JP 6-147743, Hitachi Ltd—English Translation.  
 JP 9-145210, Mitsubishi Electric Corp—English Translation.  
 JP 9-303944, Sanyo Electric Co Ltd—English Translation.  
 JP 2000-9372, Toshiba Corp—English Translation.  
 JP 2000-111229—English Translation.  
 JP 2003-121043—English Translation.  
 KR 95-25387, Samsung Electronics Co., Ltd.—English Translation.  
 KR 1999-001784, Samsung Electronics Co., Ltd.—English Translation.  
 KR 1999-0021510, Daewoo Electronics Co., Ltd.—English Translation.  
 KR 1999-0182534, Samsung Electronics Co., Ltd.—English Translation.  
 KR 10-0356542, Samsung Electronics Co., Ltd.—English Translation.  
 KR 2003-0018246, LG Electronics, Inc.—English Translation.  
 KR 2003-0030961—English Translation.  
 KR 2003-0092871—English Translation.  
 KR 2004-0102570, LG Electronics Inc.—English Translation.  
 KR 2005-0028656, LG Electronics Inc.—English Translation.

\* cited by examiner

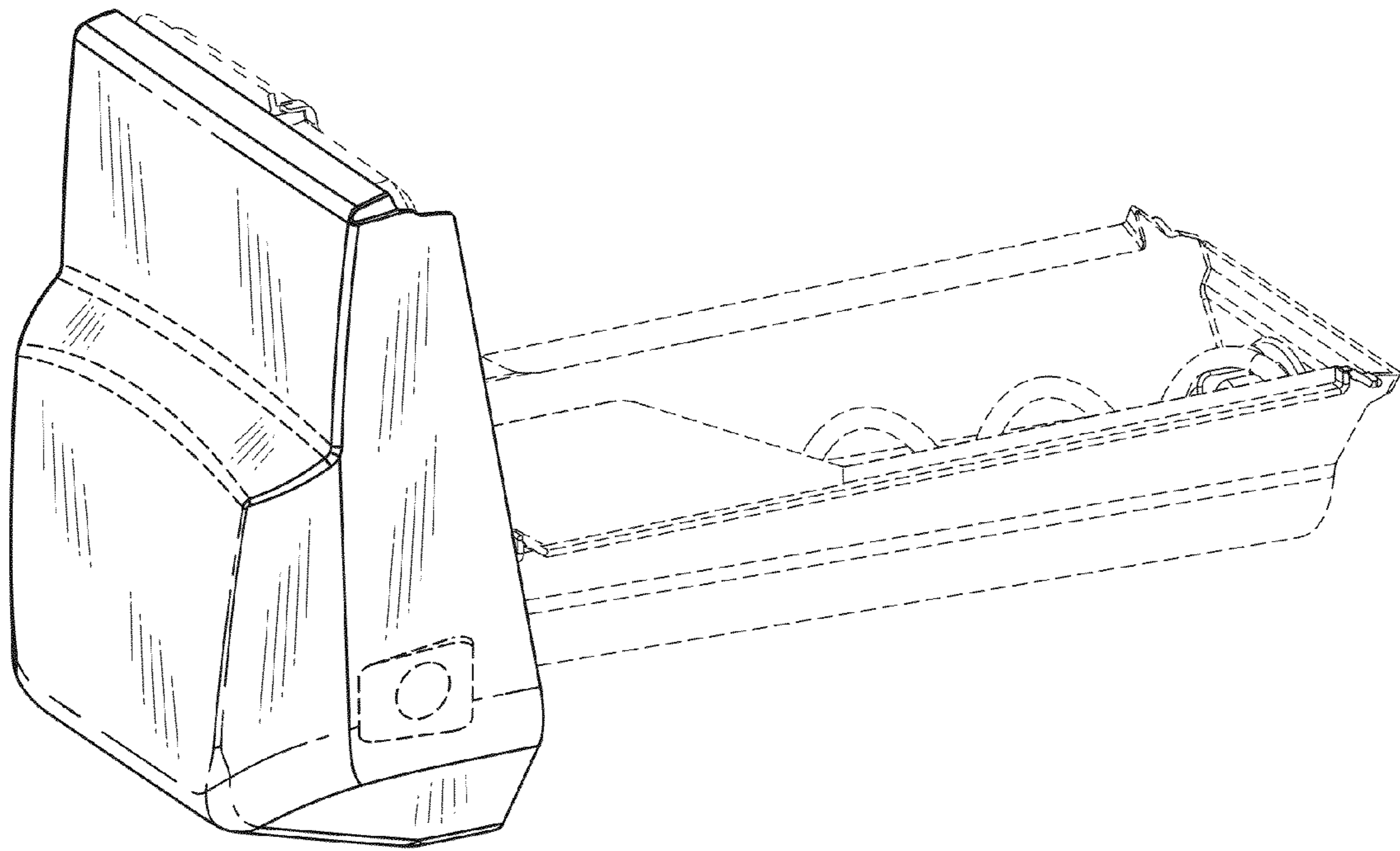


FIG. 1

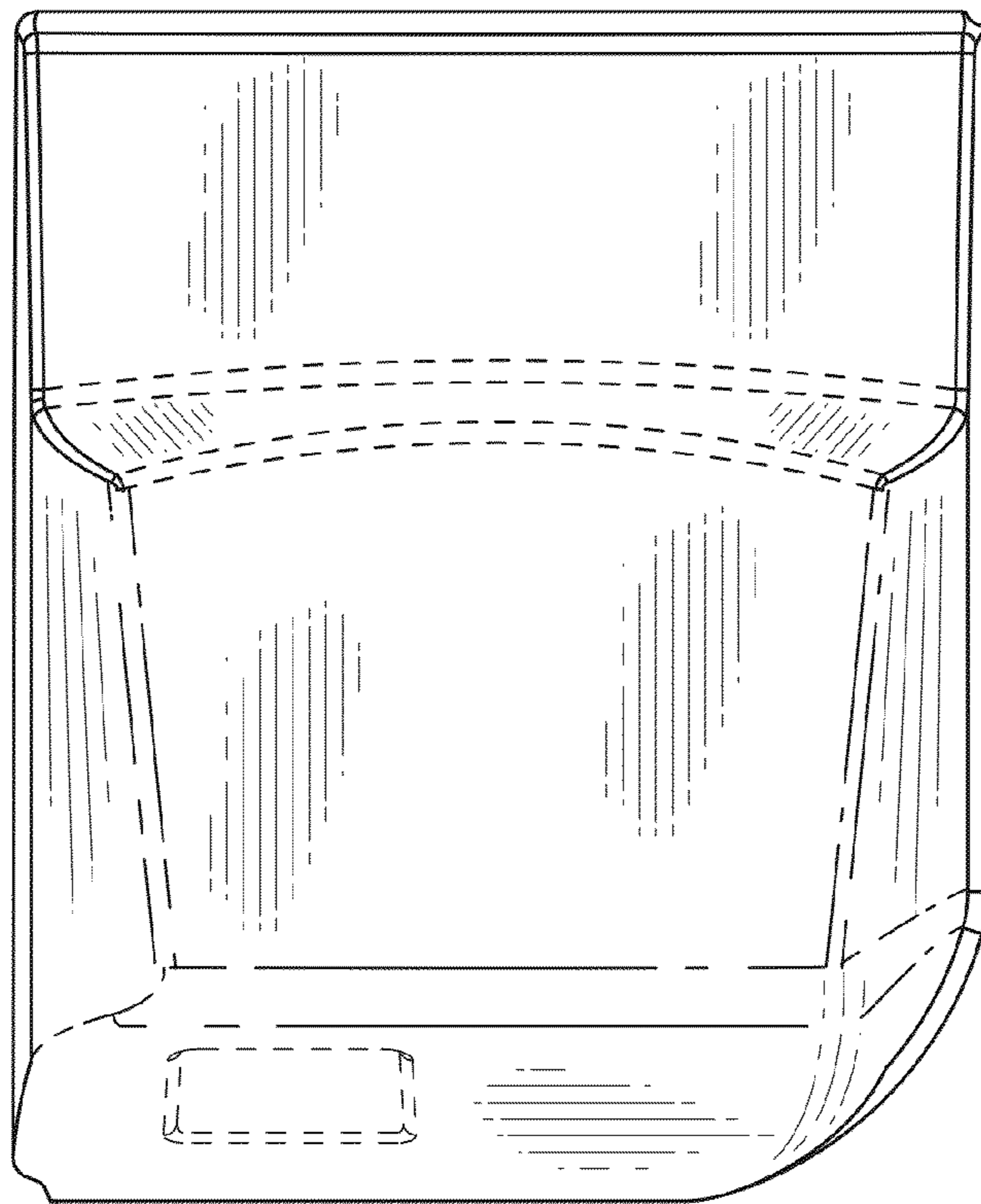


FIG. 2

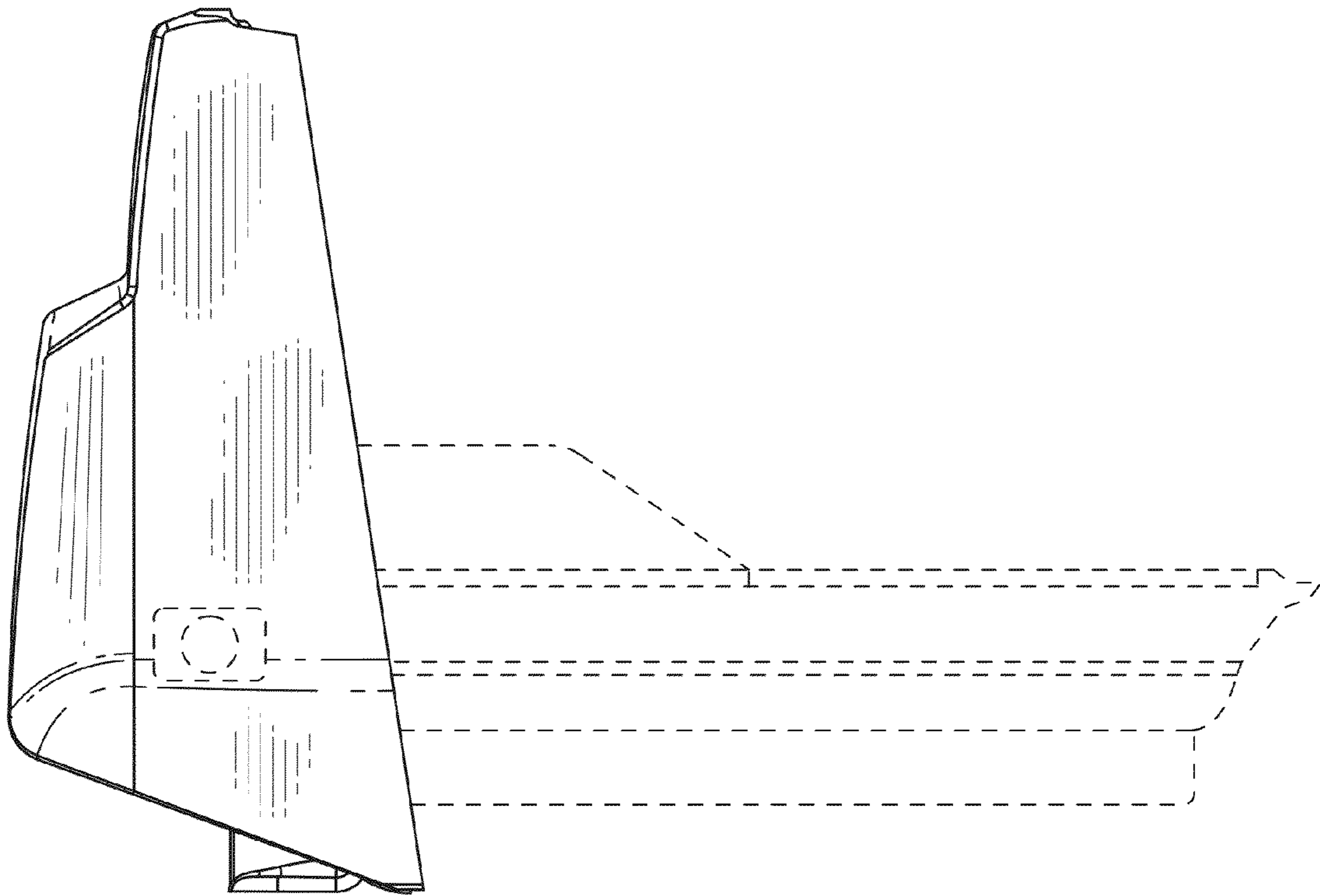


FIG. 3

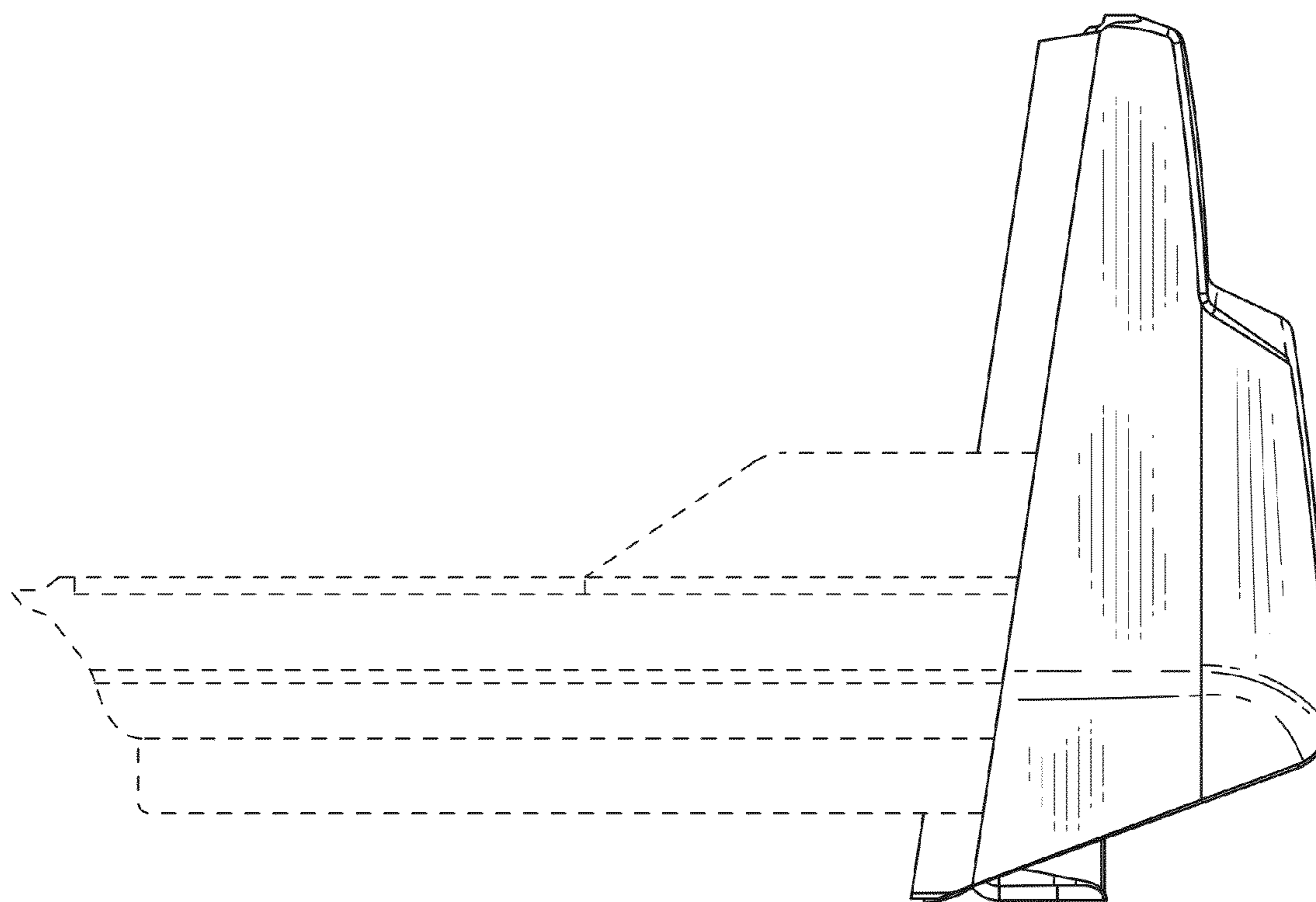


FIG. 4

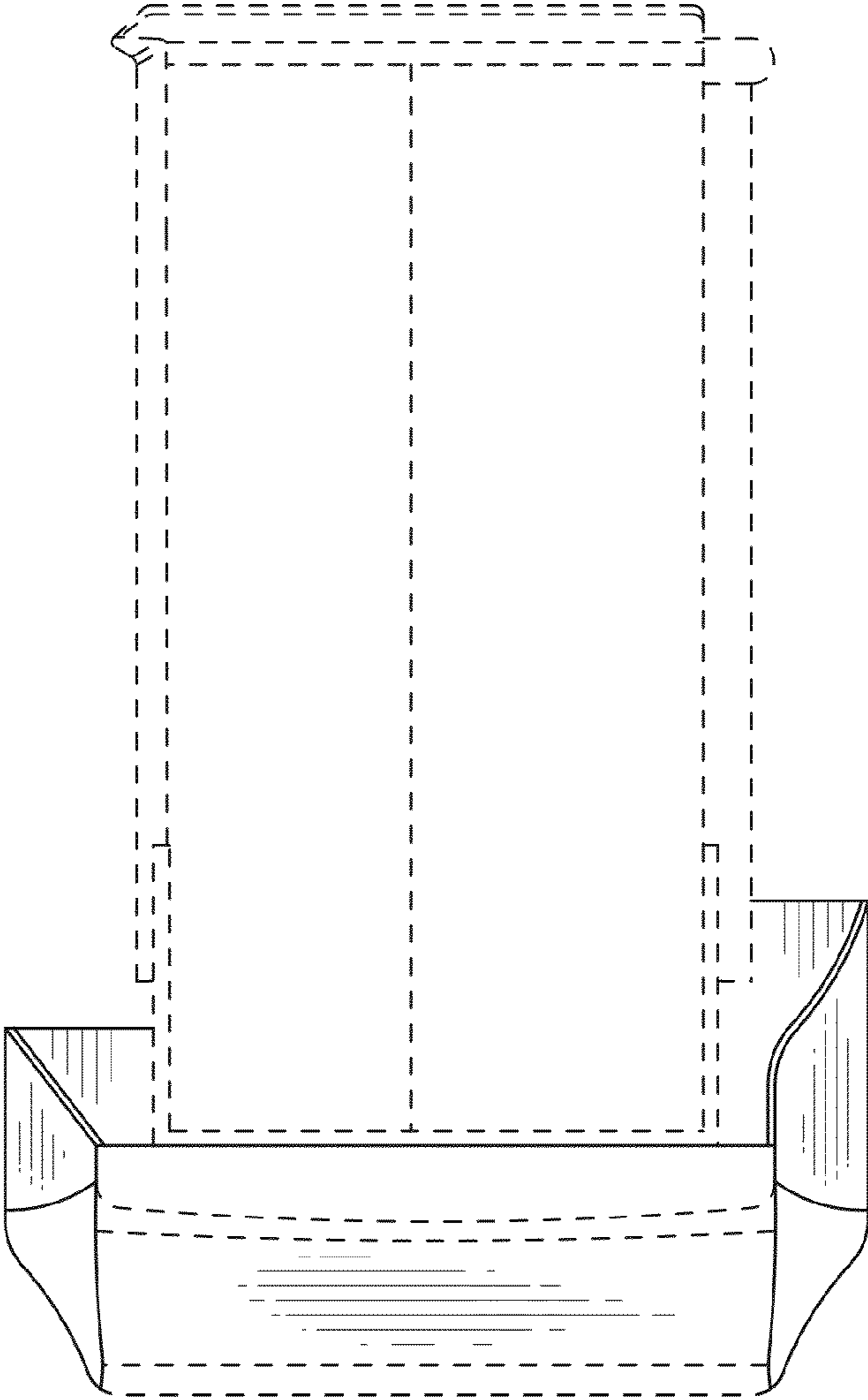


FIG. 5

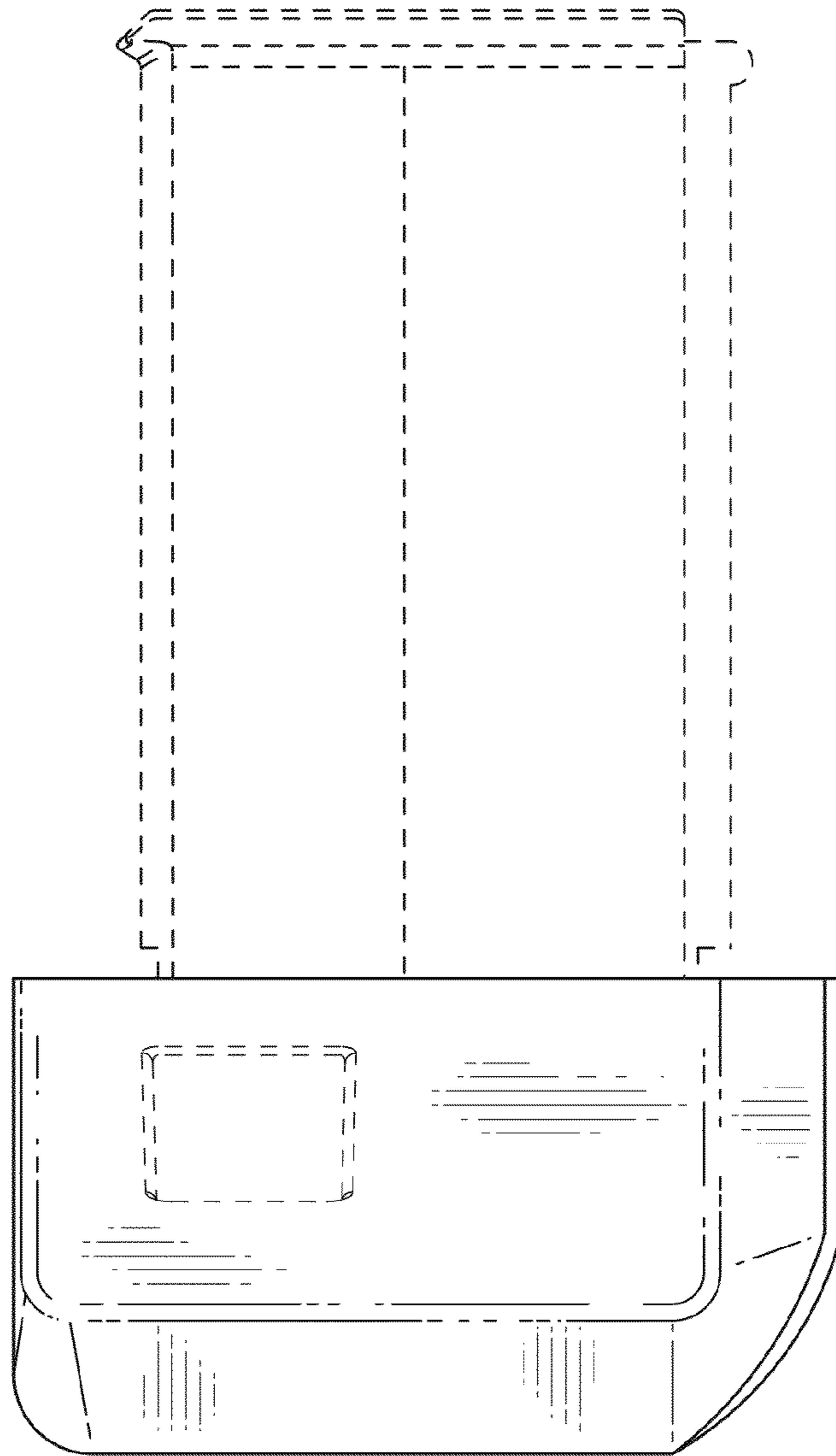


FIG. 6



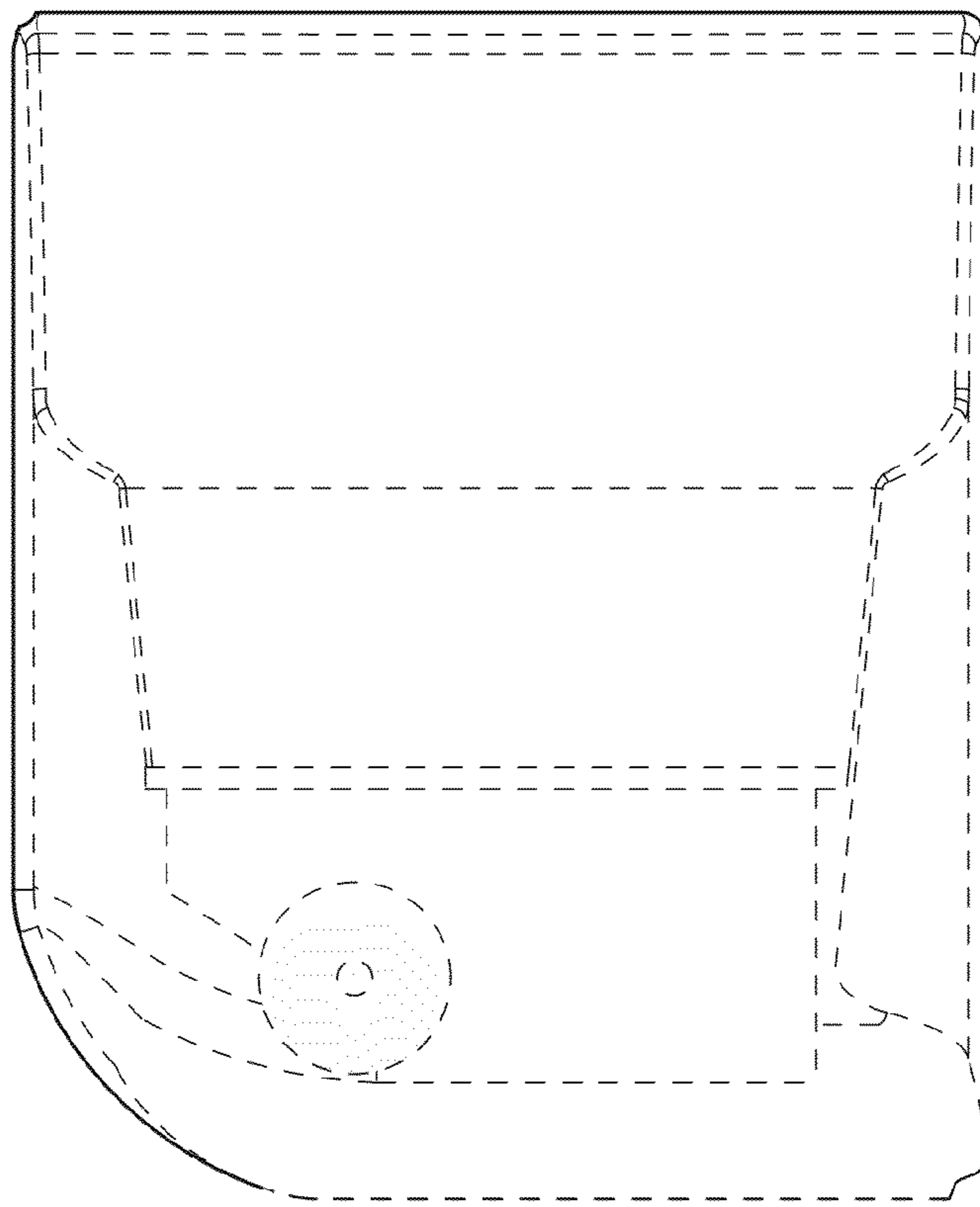


FIG. 7