



US00D712438S

(12) **United States Design Patent**
Harris

(10) **Patent No.:** **US D712,438 S**

(45) **Date of Patent:** **** Sep. 2, 2014**

(54) **FREE MOTION QUILTING TABLE**

(71) Applicant: **James Henry Harris**, Gray, GA (US)

(72) Inventor: **James Henry Harris**, Gray, GA (US)

(**) Term: **14 Years**

(21) Appl. No.: **29/458,917**

(22) Filed: **Jun. 24, 2013**

(51) **LOC (10) Cl.** **15-06**

(52) **U.S. Cl.**
USPC **D15/78**

(58) **Field of Classification Search**
USPC D15/78; D6/641, 648.2, 648.4;
112/117, 119, 217.1, 470.13
See application file for complete search history.

(56) **References Cited**

U.S. PATENT DOCUMENTS

- D52,697 S * 11/1918 Neergaard D15/78
- D52,910 S * 1/1919 Neergaard D15/78
- 2,842,414 A * 7/1958 Wolff 248/188.5
- 3,184,207 A * 5/1965 Hermanns et al. 248/413

- 6,932,008 B2 * 8/2005 Pfeifer 112/117
- 7,370,591 B2 * 5/2008 Pfeifer 112/117
- 2004/0182295 A1 * 9/2004 Pfeifer 112/119
- 2011/0048302 A1 * 3/2011 Kawaguchi et al. 112/217.1

* cited by examiner

Primary Examiner — Thomas Johannes

Assistant Examiner — Khawaja Anwar

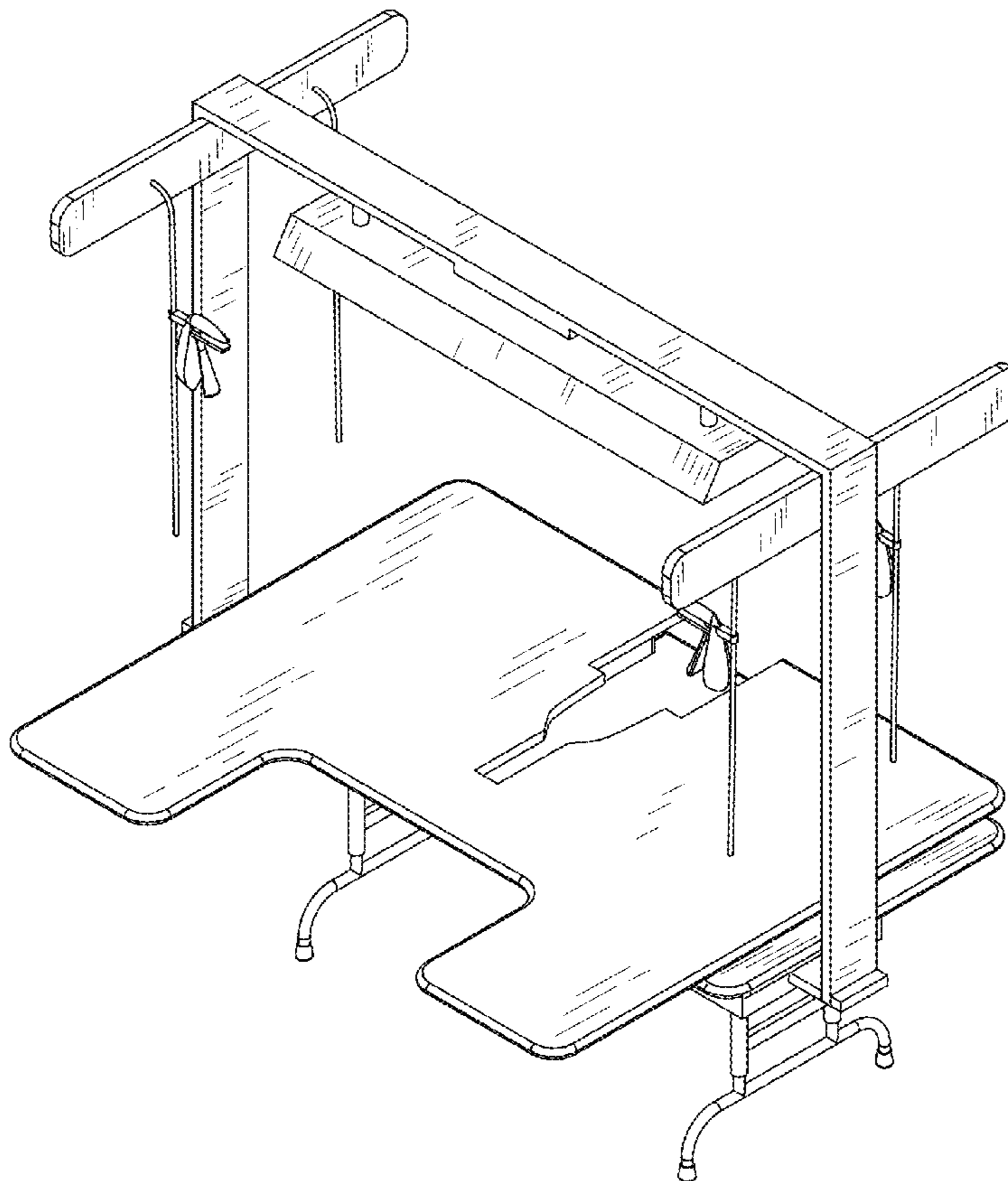
(57) **CLAIM**

The ornamental design for a free motion quilting table, as shown and described.

DESCRIPTION

FIG. 1 is a perspective view of a free quilting table;
 FIG. 2 is a front elevational view thereof;
 FIG. 3 is a right-side elevational view thereof;
 FIG. 4 is a left-side elevational view thereof;
 FIG. 5 is a rear elevational view thereof;
 FIG. 6 is a bottom plan view thereof; and,
 FIG. 7 is a top plan view thereof;
 FIG. 8 is a bottom perspective view thereof;
 FIG. 9 is an exploded perspective view thereof; and,
 FIG. 10 is a bottom explode perspective view thereof.

1 Claim, 10 Drawing Sheets



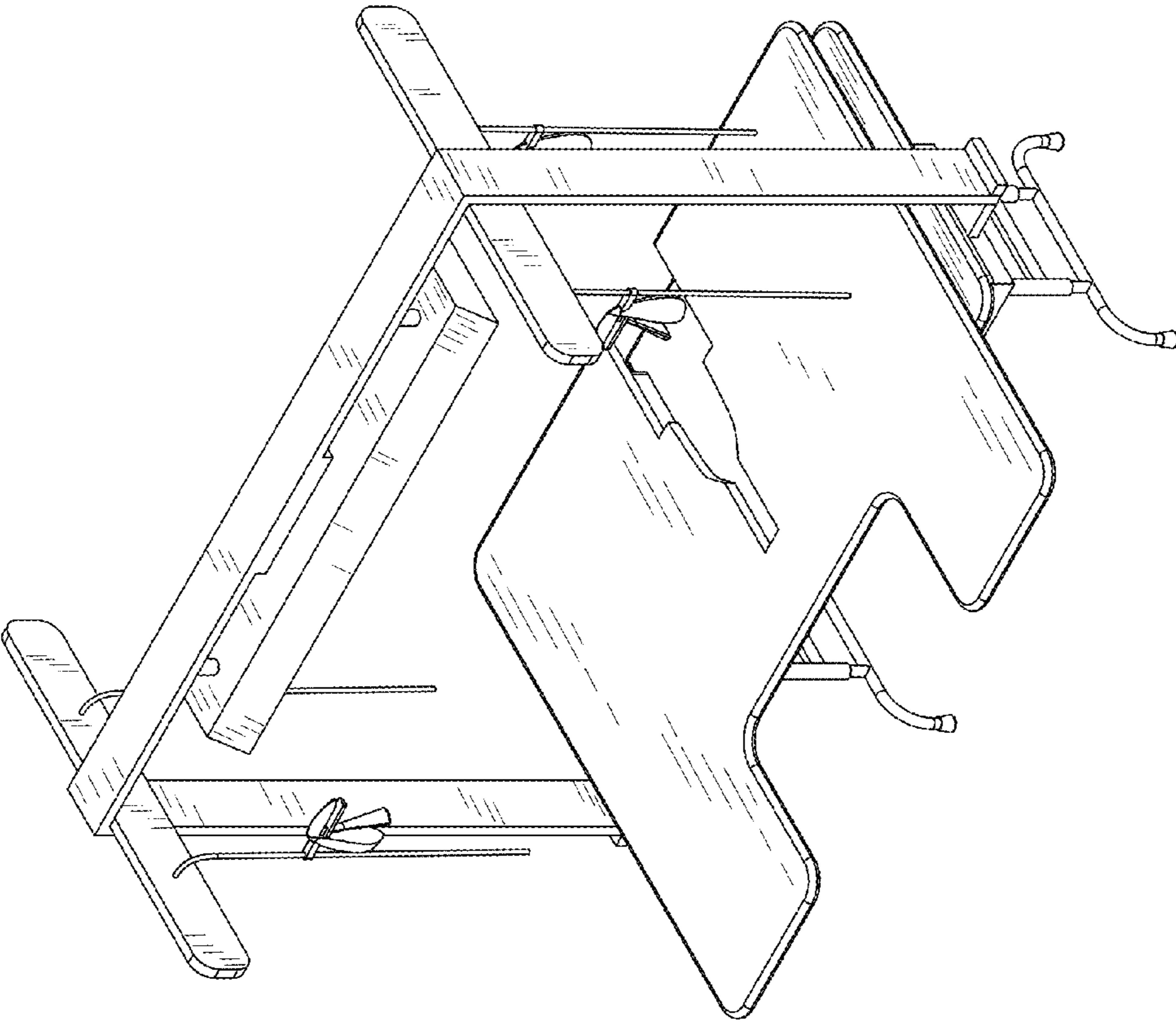


FIG. 1

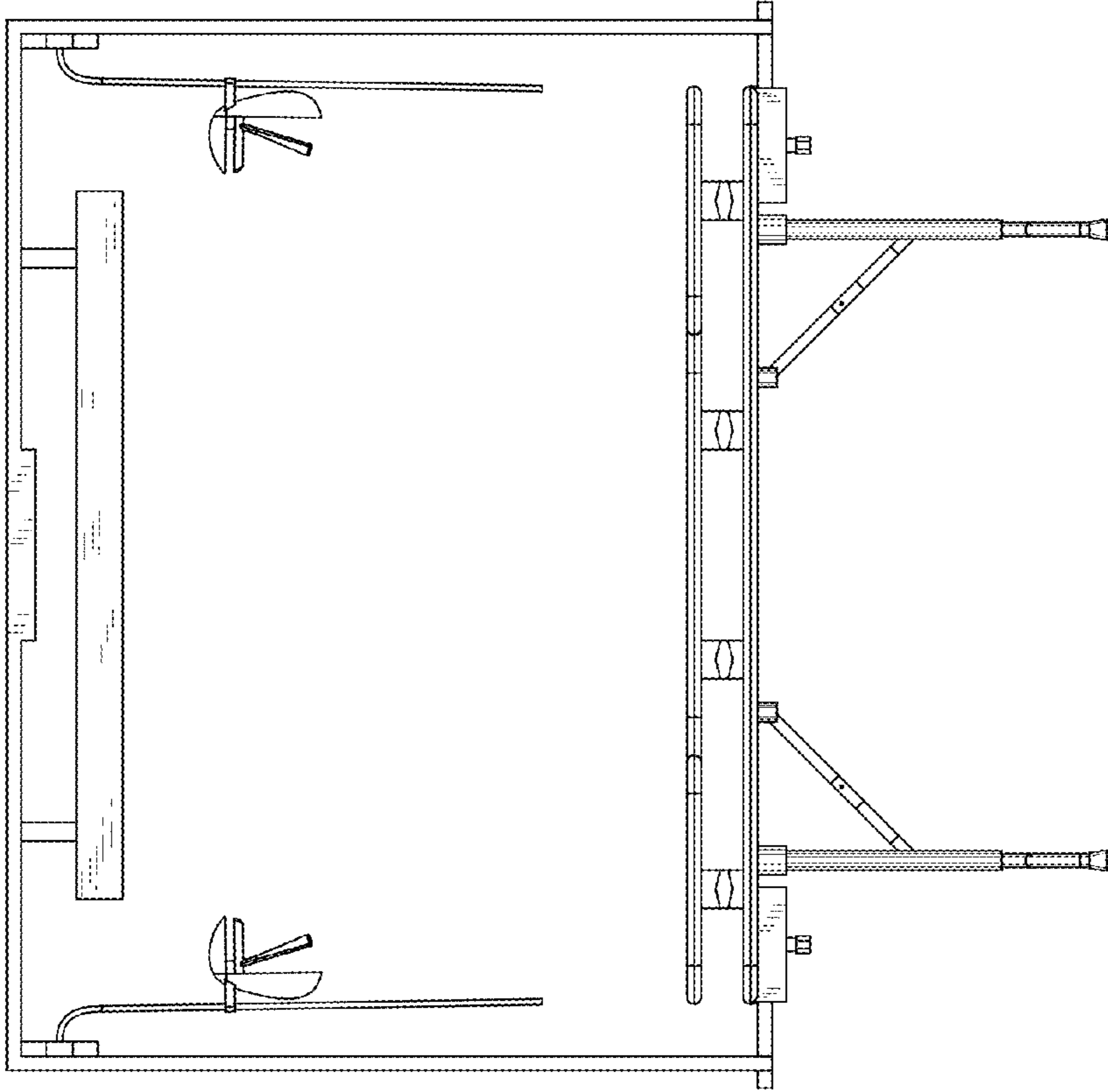


FIG. 2

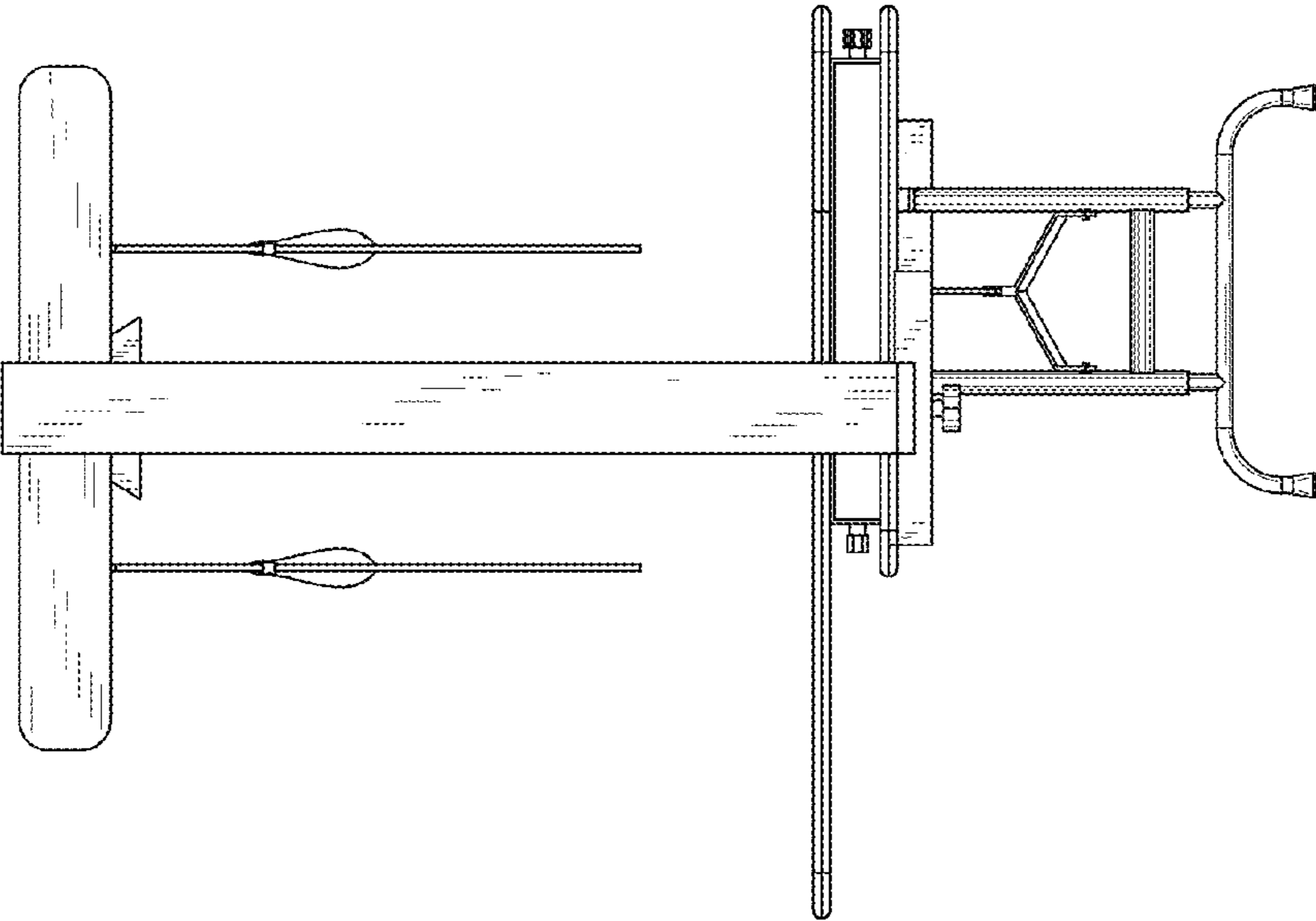


FIG. 3

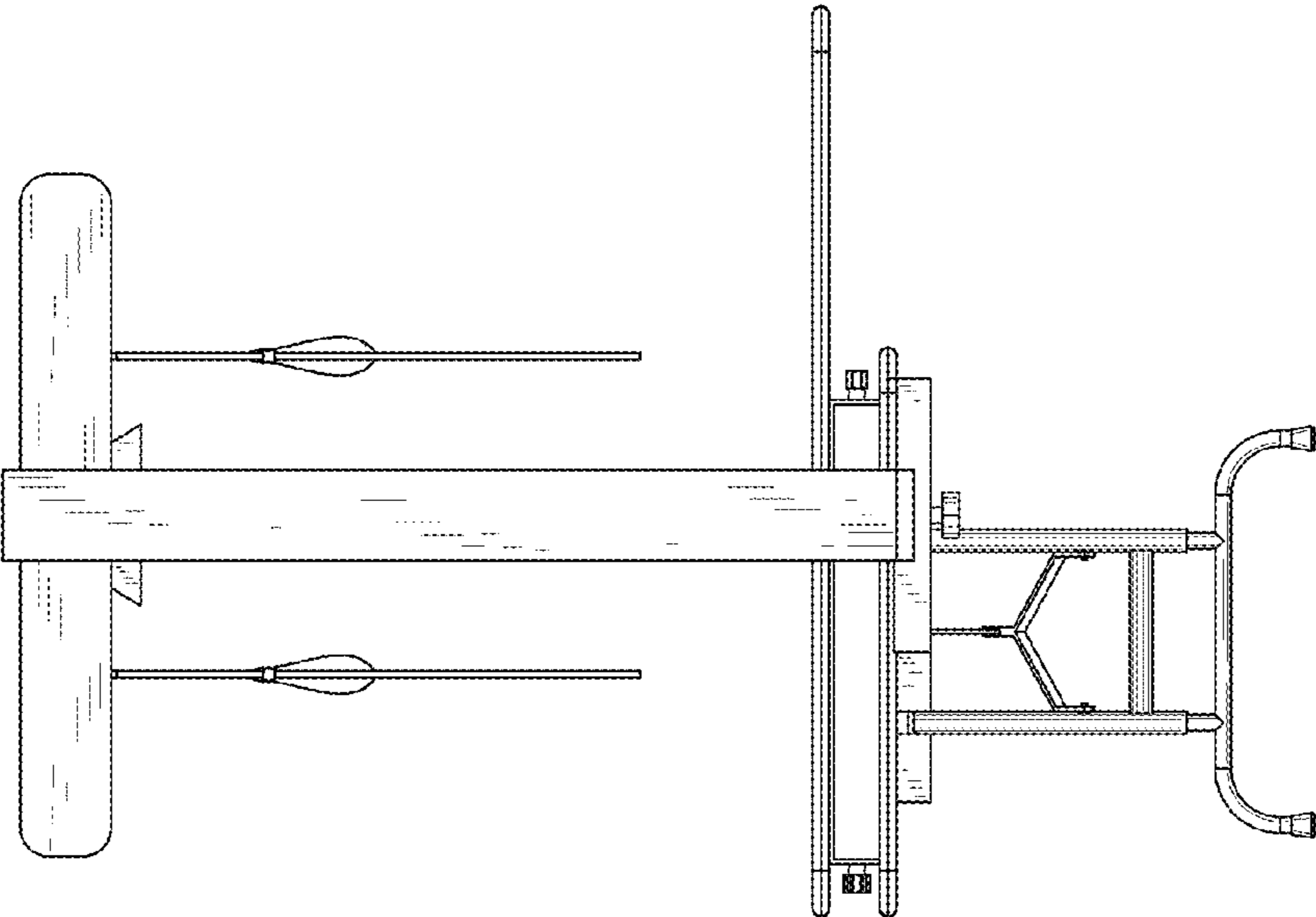


FIG. 4

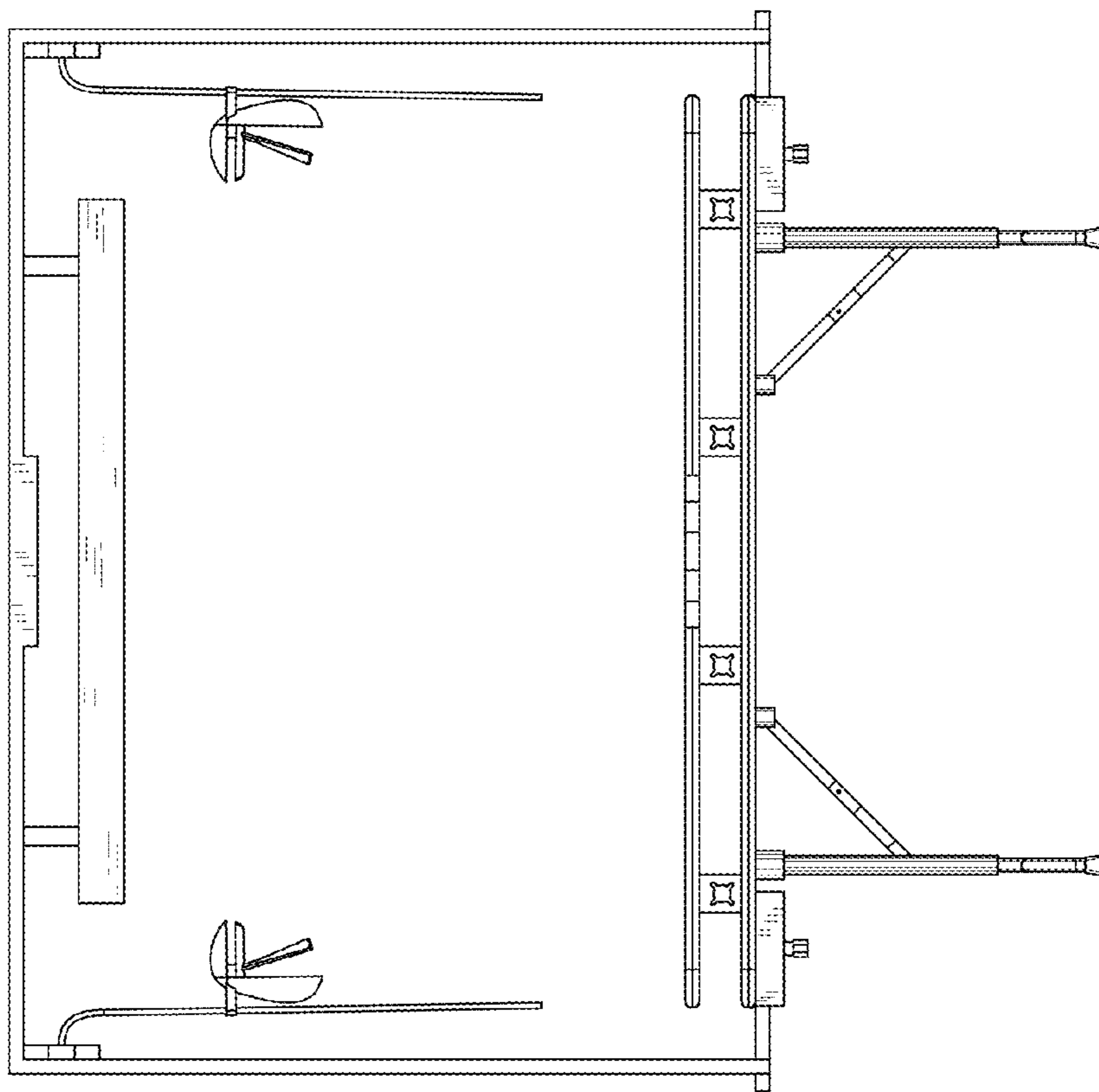


FIG. 5

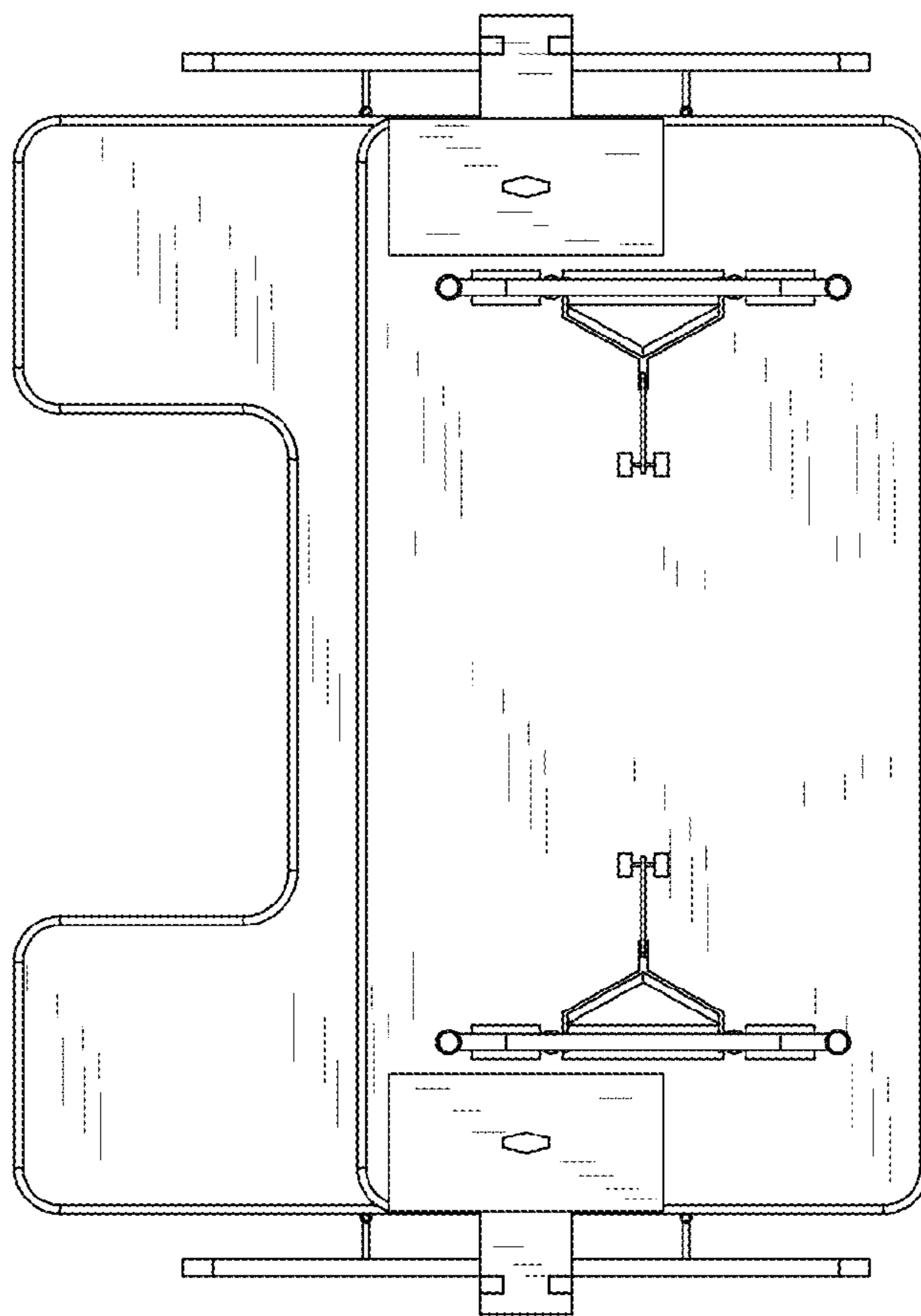


FIG. 6

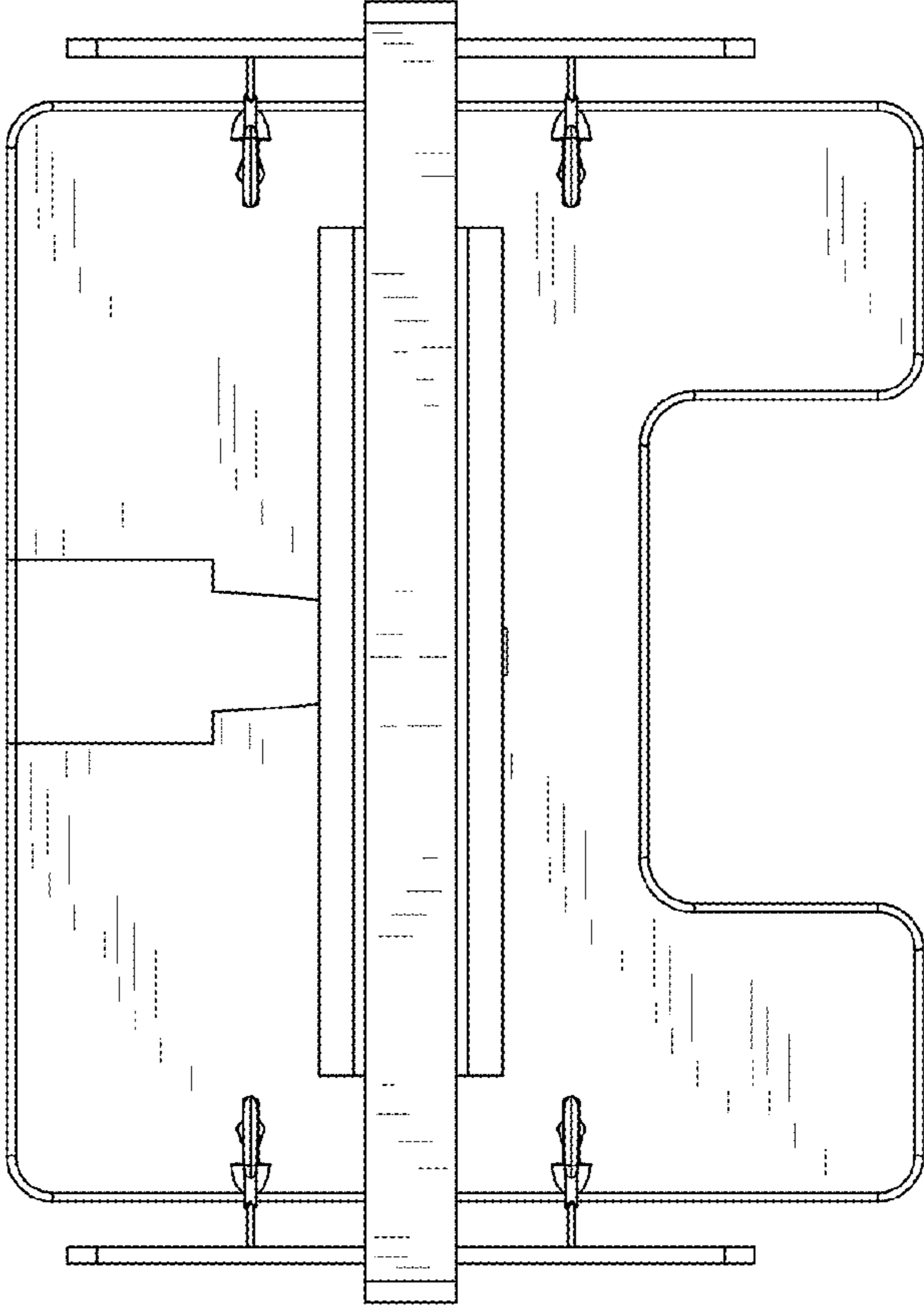


FIG. 7

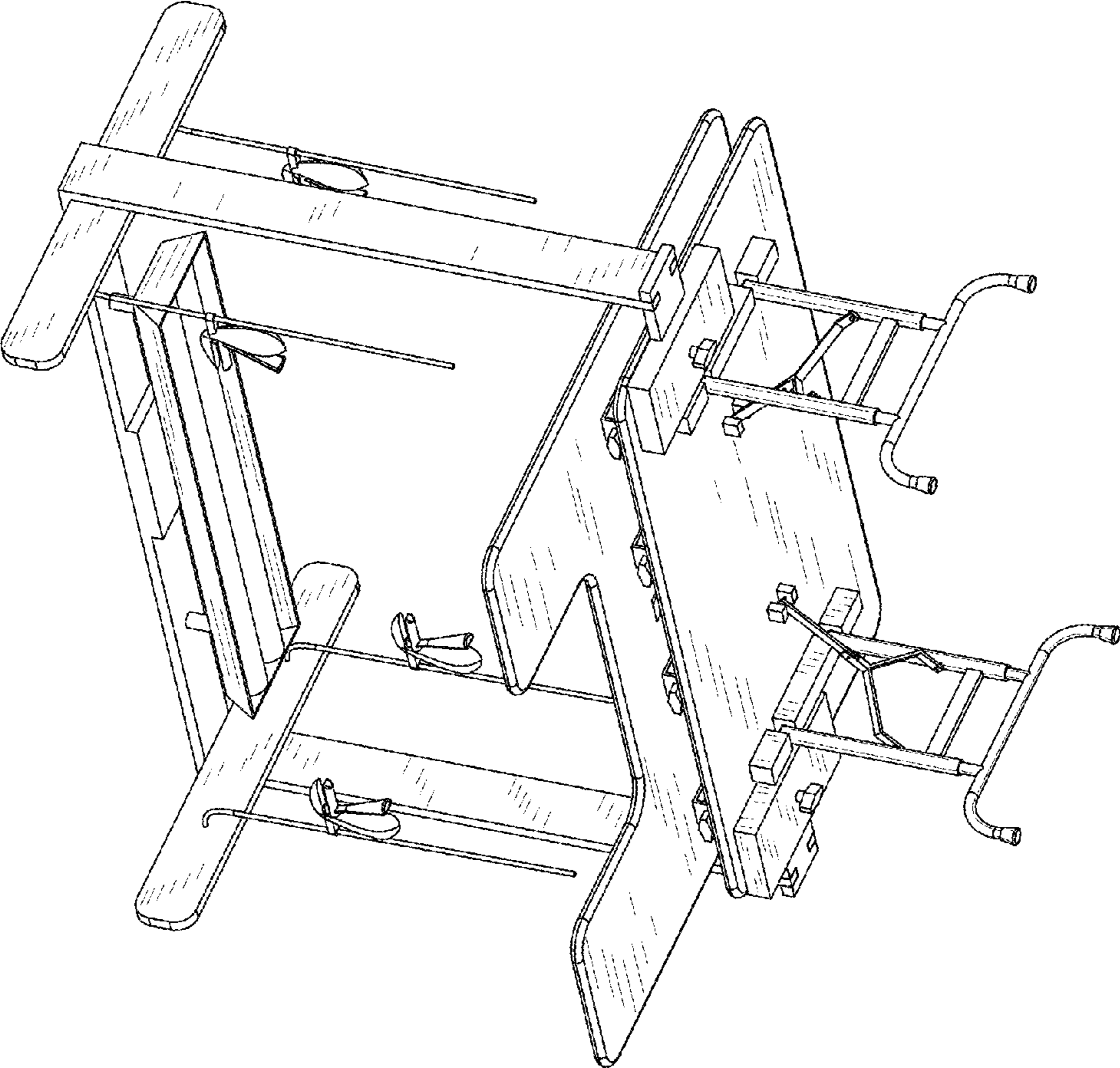


FIG. 8

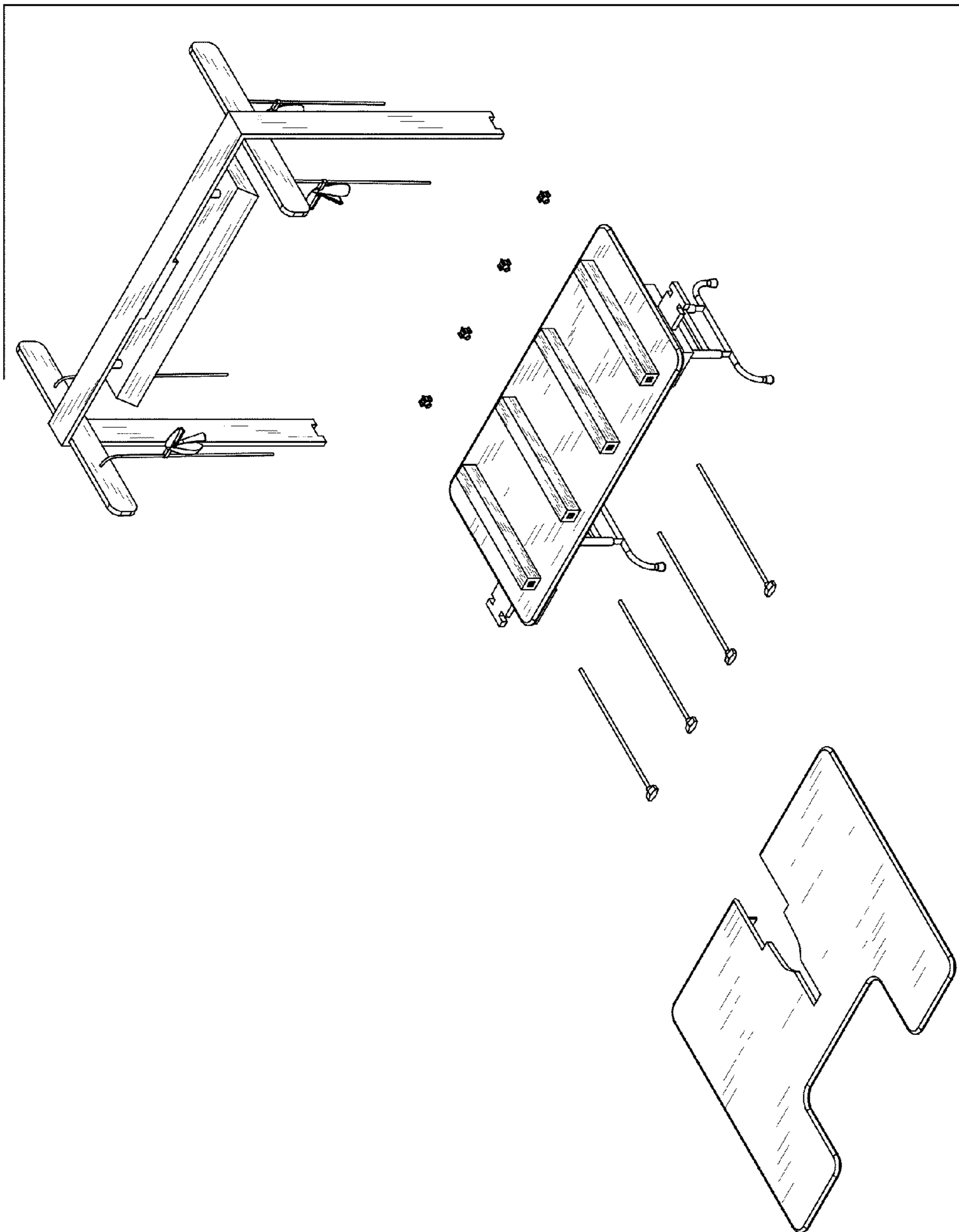


FIG. 9

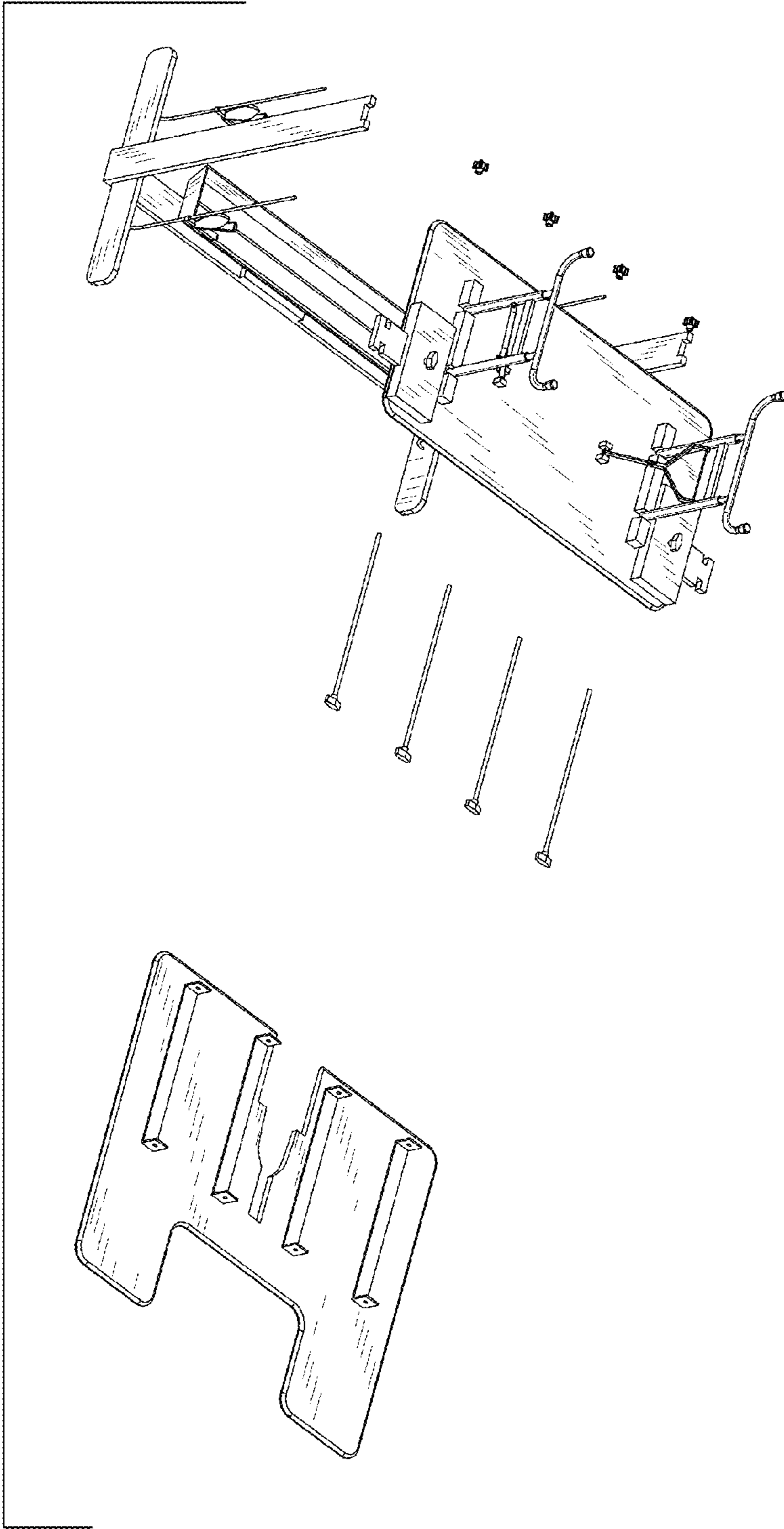


FIG. 10