



US00D712436S

(12) **United States Design Patent**  
**Baxter**

(10) **Patent No.:** **US D712,436 S**

(45) **Date of Patent:** **\*\* Sep. 2, 2014**

(54) **LAWNMOWER**

(71) Applicant: **Black & Decker Inc.**, Newark, DE (US)

(72) Inventor: **Mark Baxter**, Tyne & Wear (GB)

(73) Assignee: **Black & Decker Inc.**, Newark, DE (US)

(\*\*) Term: **14 Years**

(21) Appl. No.: **29/469,424**

(22) Filed: **Oct. 10, 2013**

(30) **Foreign Application Priority Data**

May 30, 2013 (EM) ..... 001372635

(51) **LOC (10) Cl.** ..... **15-03**

(52) **U.S. Cl.**  
USPC ..... **D15/14**

(58) **Field of Classification Search**  
USPC ..... D15/10, 14-18; 56/12.8, 12.7, 13.4,  
56/16.7, 17.5, 202, 254, 255, 294, 11.4,  
56/320.1, 320.2, 249, 252, 11.9, 17.1,  
56/17.4, 295; 280/43.17  
See application file for complete search history.

(56) **References Cited**

U.S. PATENT DOCUMENTS

D174,955 S \* 6/1955 Huff ..... D15/17  
D198,041 S \* 4/1964 Stevens ..... D15/17  
D207,231 S \* 3/1967 Stewart ..... D15/17  
D212,636 S \* 11/1968 Schreckengost ..... D15/17  
D212,702 S \* 11/1968 Smith ..... D15/17

D228,008 S \* 7/1973 Thorud ..... D15/17  
D234,028 S \* 12/1974 Erickson et al. .... D15/17  
D245,502 S \* 8/1977 Oscarsson et al. .... D15/17  
D296,105 S \* 6/1988 Hosonuma ..... D15/17  
D458,612 S \* 6/2002 Scott et al. .... D15/14  
D458,613 S \* 6/2002 Scott et al. .... D15/14  
7,055,301 B2 \* 6/2006 Osborne et al. .... 56/320.1  
D613,773 S \* 4/2010 Colber et al. .... D15/17  
D648,354 S \* 11/2011 Hattori et al. .... D15/17  
8,327,613 B2 \* 12/2012 Johansson et al. .... 56/320.1  
2003/0163981 A1 \* 9/2003 Osborne ..... 56/320.1  
2005/0028507 A1 \* 2/2005 Osborne et al. .... 56/320.2

\* cited by examiner

*Primary Examiner* — Mark Goodwin

(74) *Attorney, Agent, or Firm* — John Yun

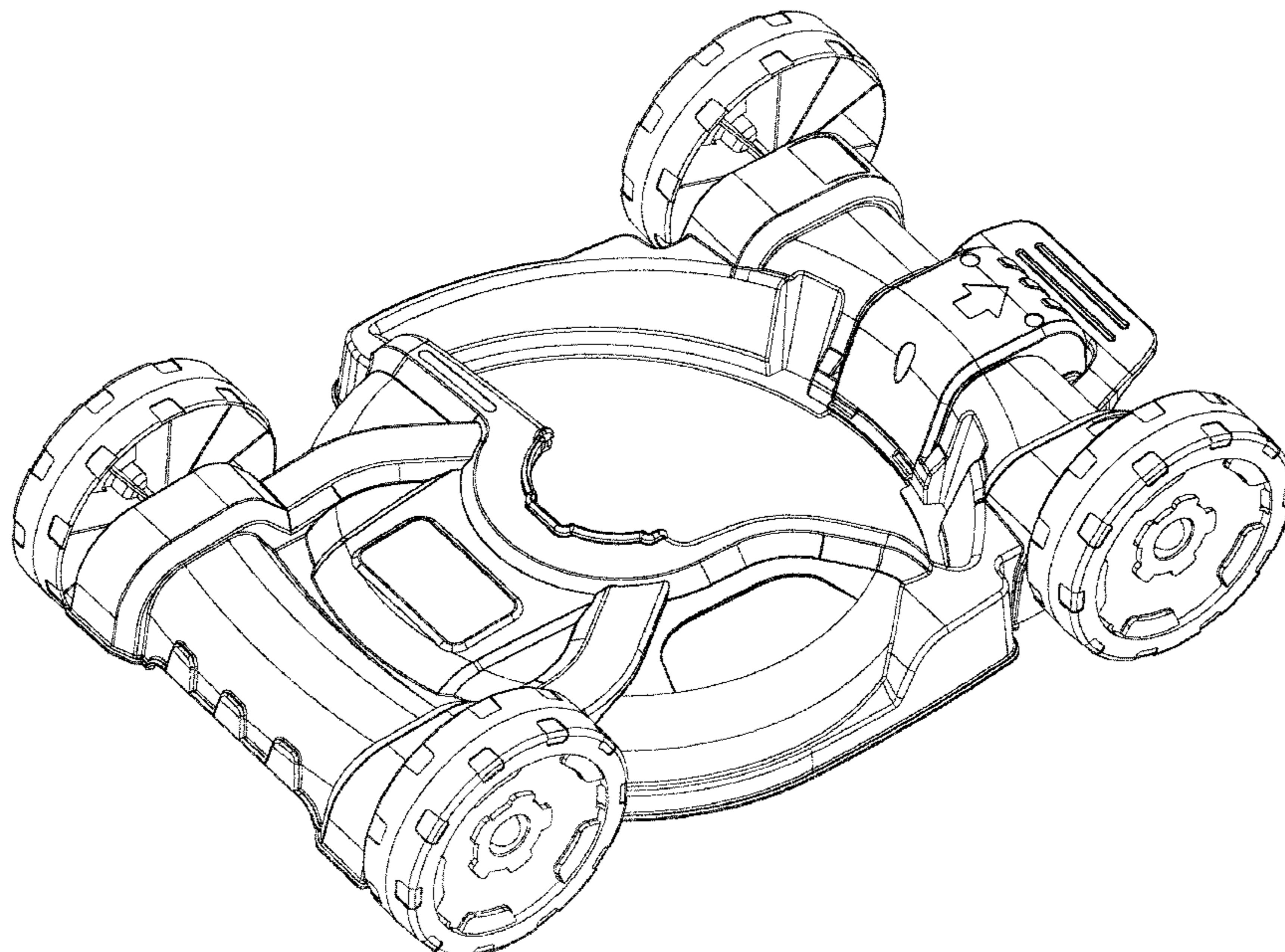
(57) **CLAIM**

The ornamental design for a lawnmower, as shown and described.

**DESCRIPTION**

FIG. 1 is a perspective view of a lawnmower showing my new design;  
FIG. 2 is a left side view thereof  
FIG. 3 is a right side view thereof;  
FIG. 4 is a front view thereof;  
FIG. 5 is a rear view thereof;  
FIG. 6 is a top plan view thereof; and,  
FIG. 7 is a bottom plan view thereof.  
In the above drawings the broken lines and the areas within the broken lines form no part of the claimed design.

**1 Claim, 7 Drawing Sheets**



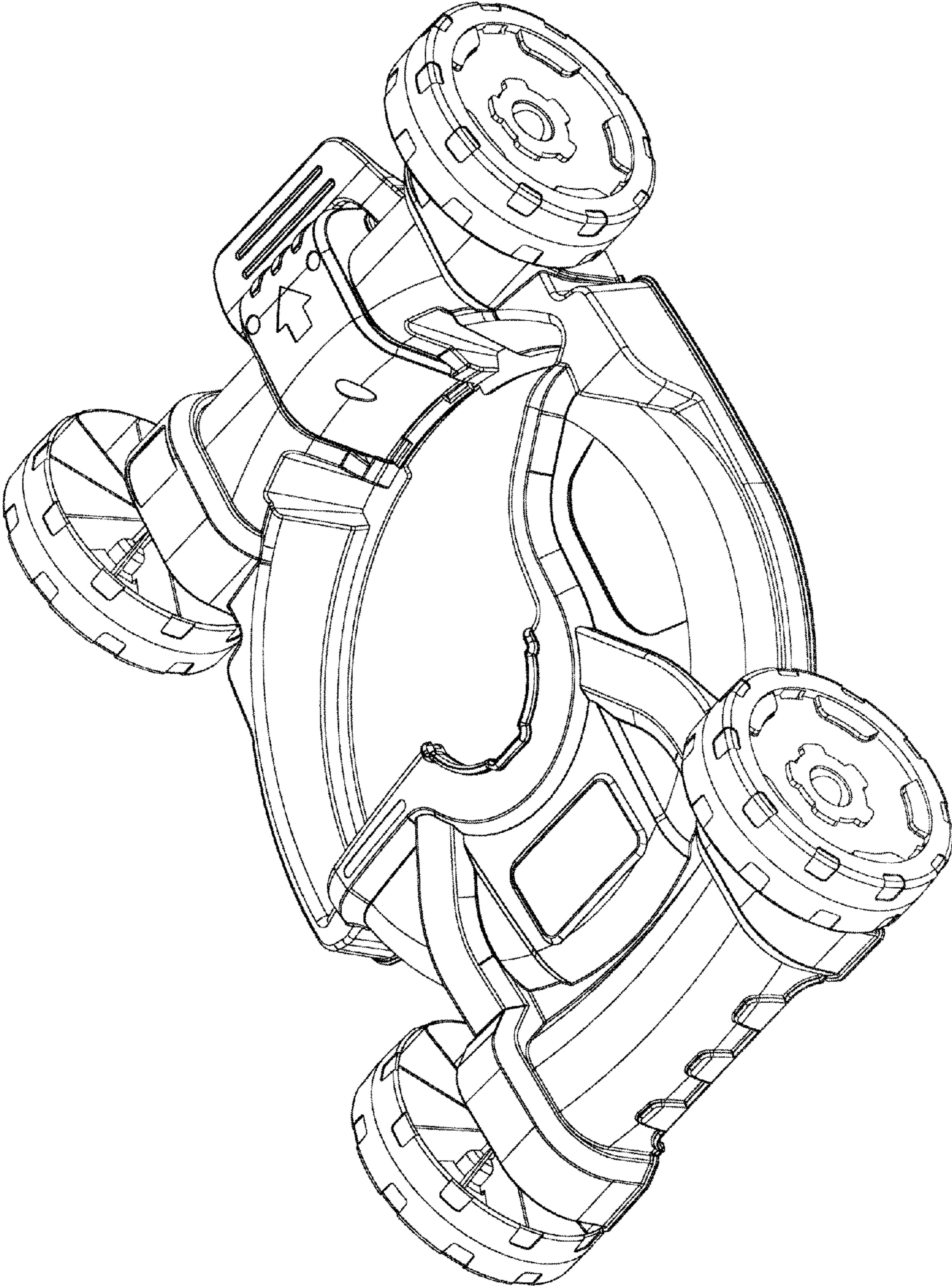


FIG.1



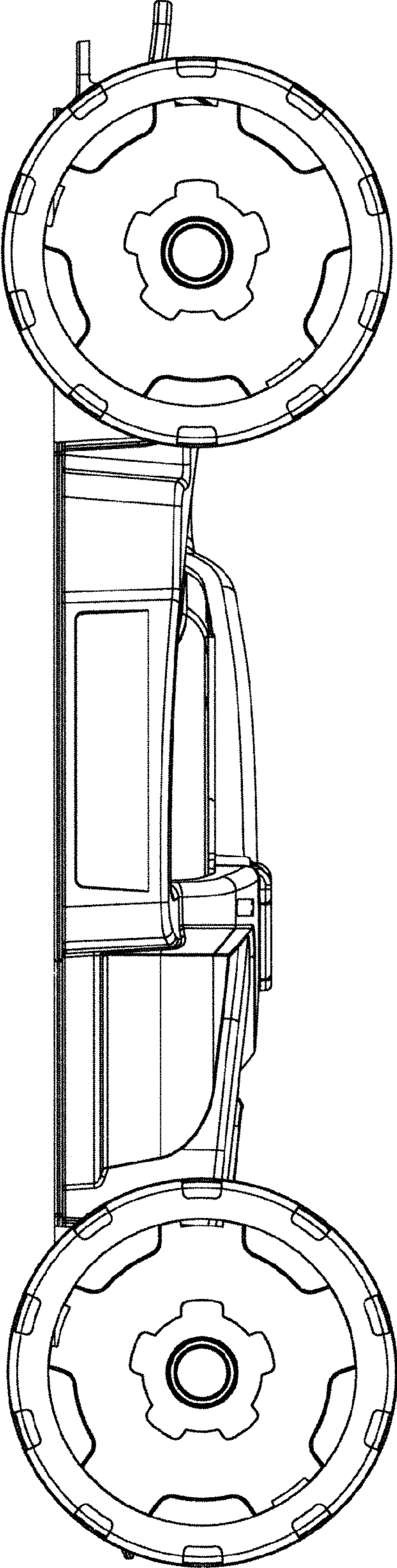


FIG.2

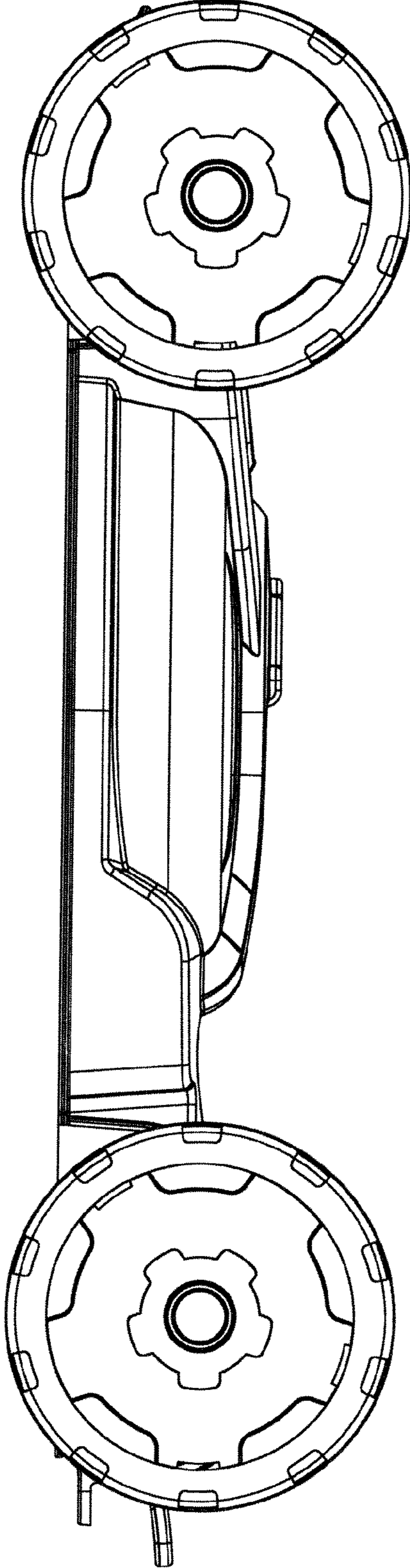


FIG.3

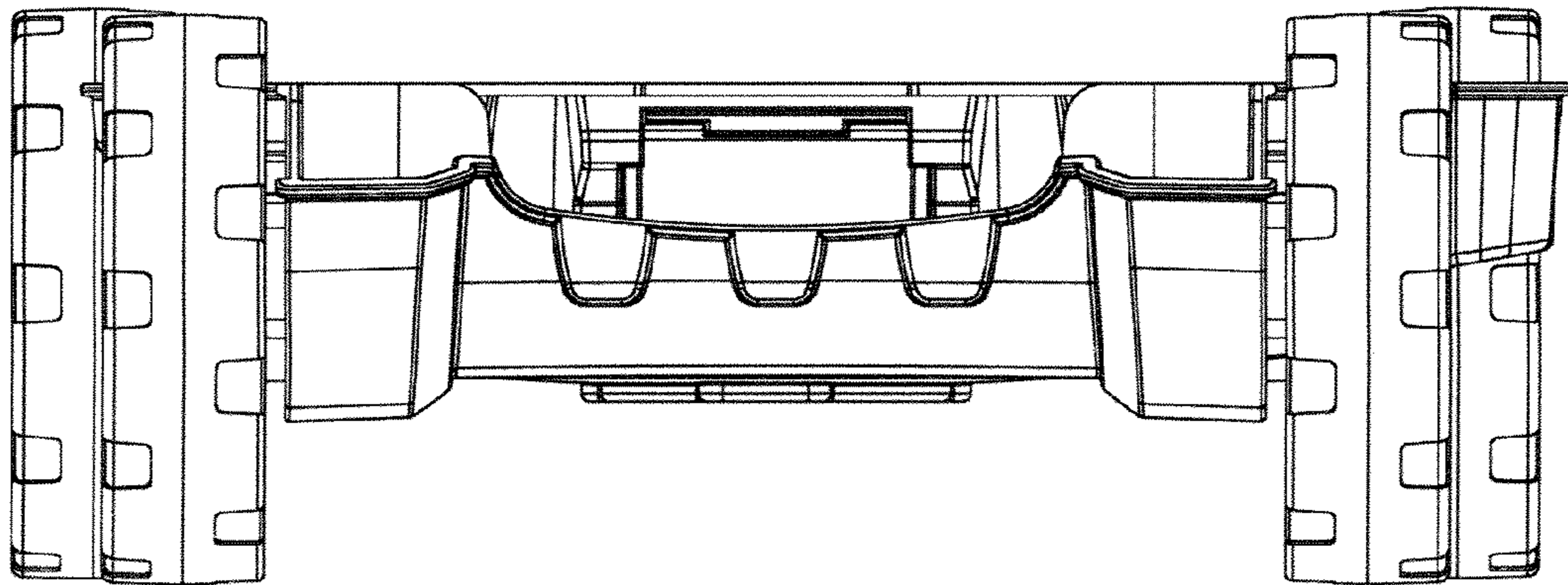


FIG.4

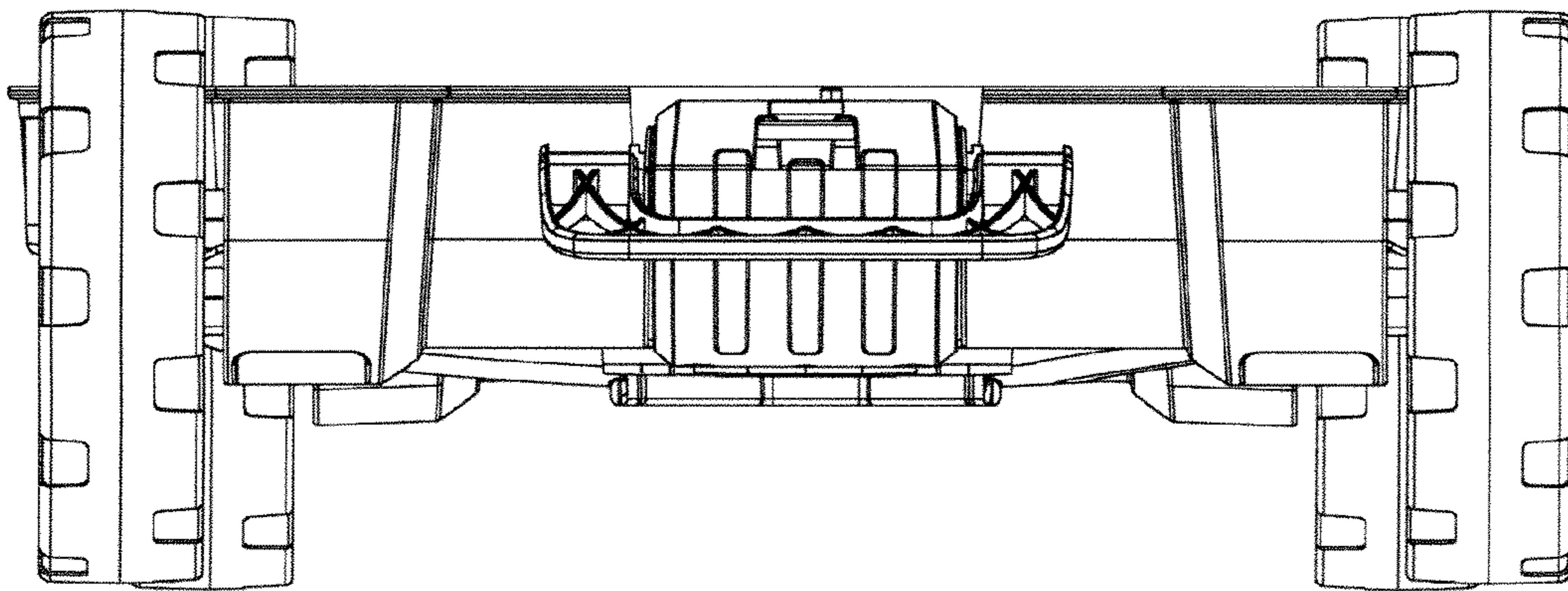


FIG.5



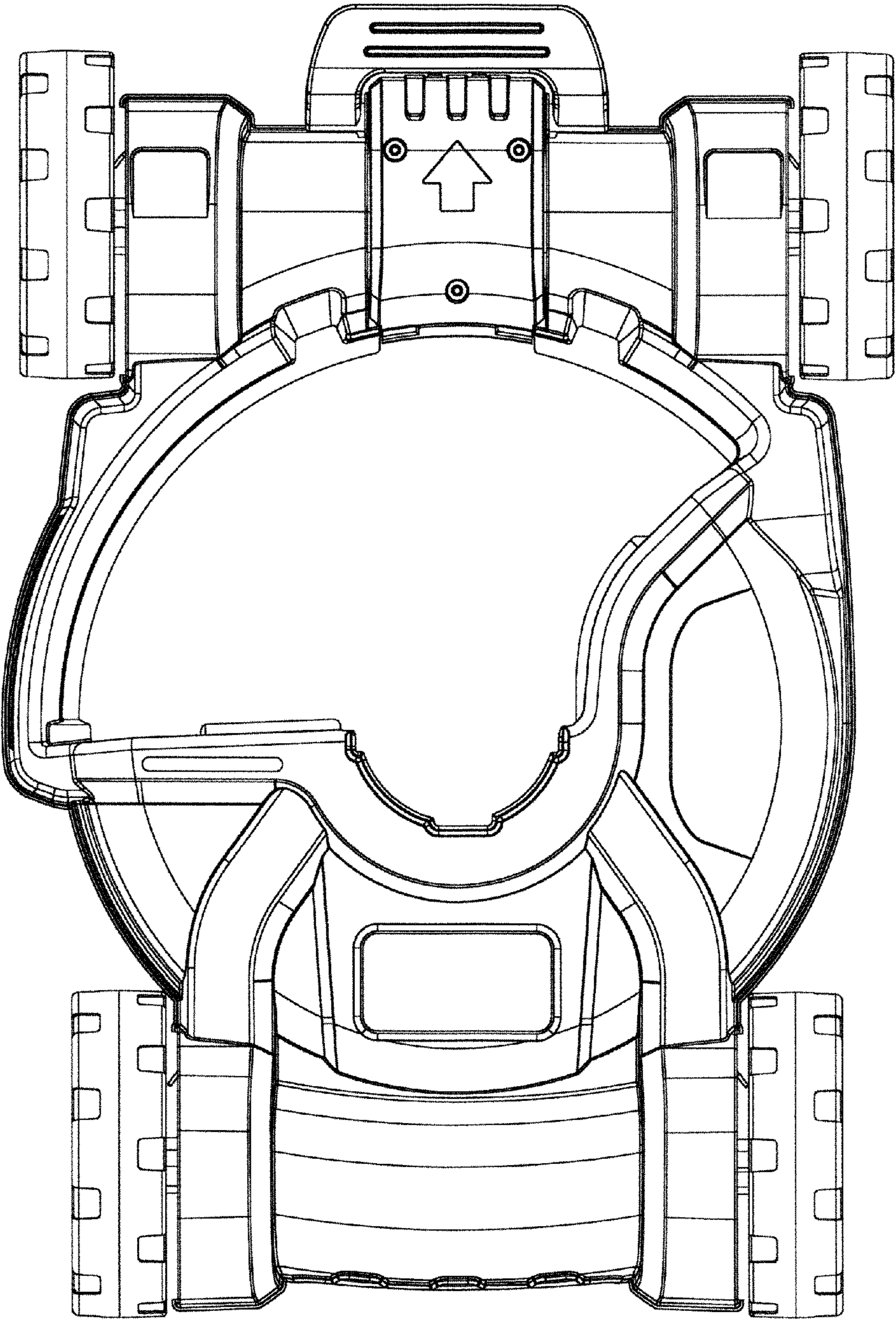


FIG. 6

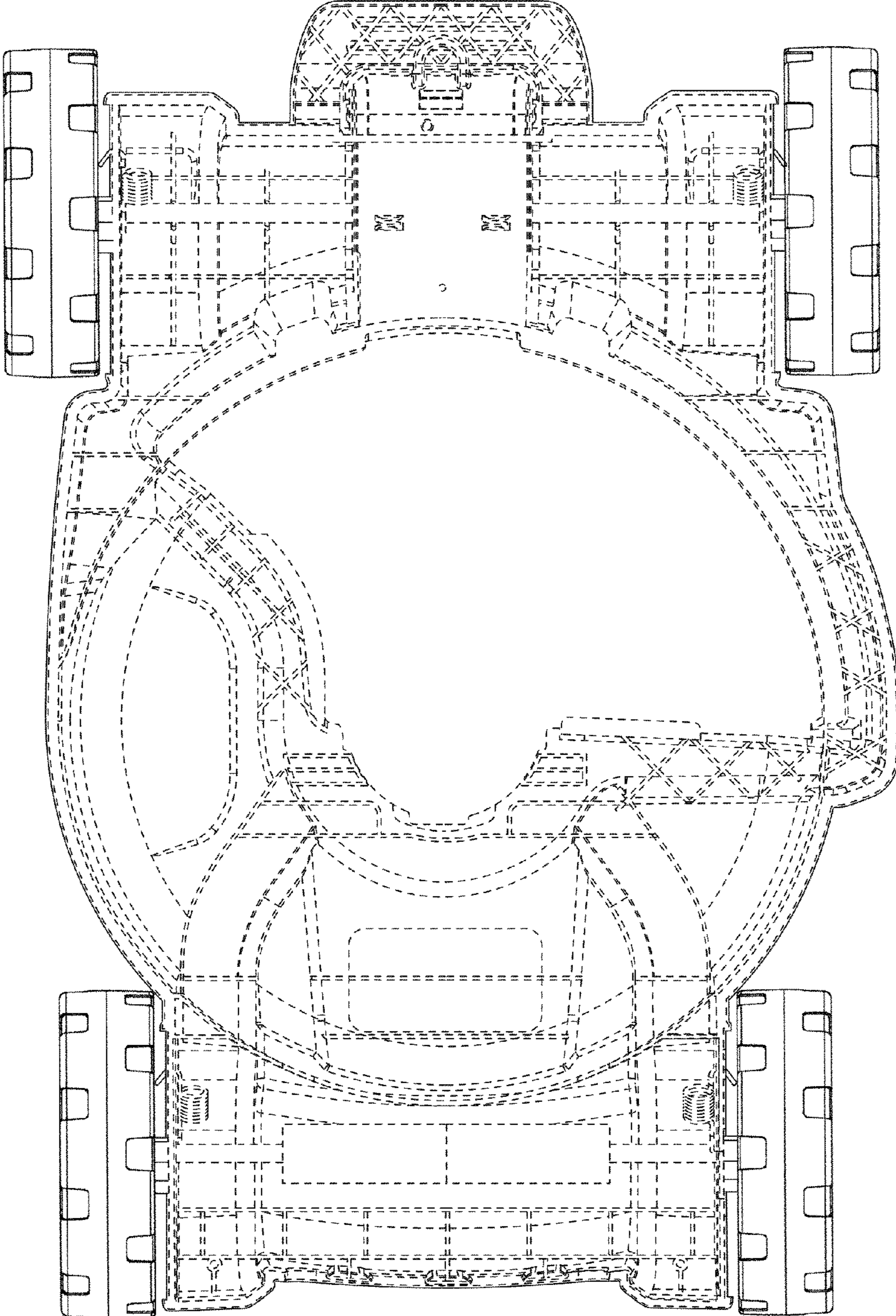


FIG.7