



US00D712435S

(12) **United States Design Patent**
Kodera et al.

(10) **Patent No.:** **US D712,435 S**

(45) **Date of Patent:** **** Sep. 2, 2014**

(54) **CONTROLLER FOR CENTRIFUGAL PUMP**

(56) **References Cited**

(71) Applicant: **Terumo Kabushiki Kaisha**, Tokyo (JP)

U.S. PATENT DOCUMENTS

(72) Inventors: **Takehiko Kodera**, Shizuoka (JP);
Tomonori Ijiri, Tokyo (JP)

D328,305 S *	7/1992	Wong	D15/9
D529,926 S *	10/2006	Krieger et al.	D15/9
D602,502 S *	10/2009	Hopper	D15/9
D605,663 S *	12/2009	Hopper	D15/7
D669,096 S *	10/2012	Katsura	D15/7
D669,502 S *	10/2012	Ohm et al.	D15/9
D682,318 S *	5/2013	Goh	D15/9

(73) Assignee: **Terumo Kabushiki Kaisha** (JP)

* cited by examiner

(**) Term: **14 Years**

Primary Examiner — Ralf Seifert

(21) Appl. No.: **29/473,513**

(74) *Attorney, Agent, or Firm* — Banner & Witcoff, Ltd.

(22) Filed: **Nov. 22, 2013**

(57) **CLAIM**

The ornamental design for controller for centrifugal pump, as shown and described.

(30) **Foreign Application Priority Data**

DESCRIPTION

Sep. 25, 2013 (JP) 2013-022246

(51) **LOC (10) Cl.** **15-02**

(52) **U.S. Cl.**

USPC **D15/7**

(58) **Field of Classification Search**

USPC D15/7-9.3; D23/231, 232, 225; 417/60,
417/235, 265, 321, 355, 358, 363, 359,
417/410.1, 415-416, 405, 900; 60/408,
60/412; 184/26-37; 415/140-147;
123/495, 509

FIG. 1 is a front perspective view of a controller for a centrifugal pump showing our new design;
FIG. 2 is a rear perspective view thereof;
FIG. 3 is a front view thereof;
FIG. 4 is a rear view thereof;
FIG. 5 is a right side view thereof;
FIG. 6 is a top plan view thereof; and,
FIG. 7 is a bottom view thereof.

The left side view is omitted as appearing symmetric with the right side view of FIG. 5.

The broken lines represent the portions of the design that form no part of the claim.

See application file for complete search history.

1 Claim, 5 Drawing Sheets

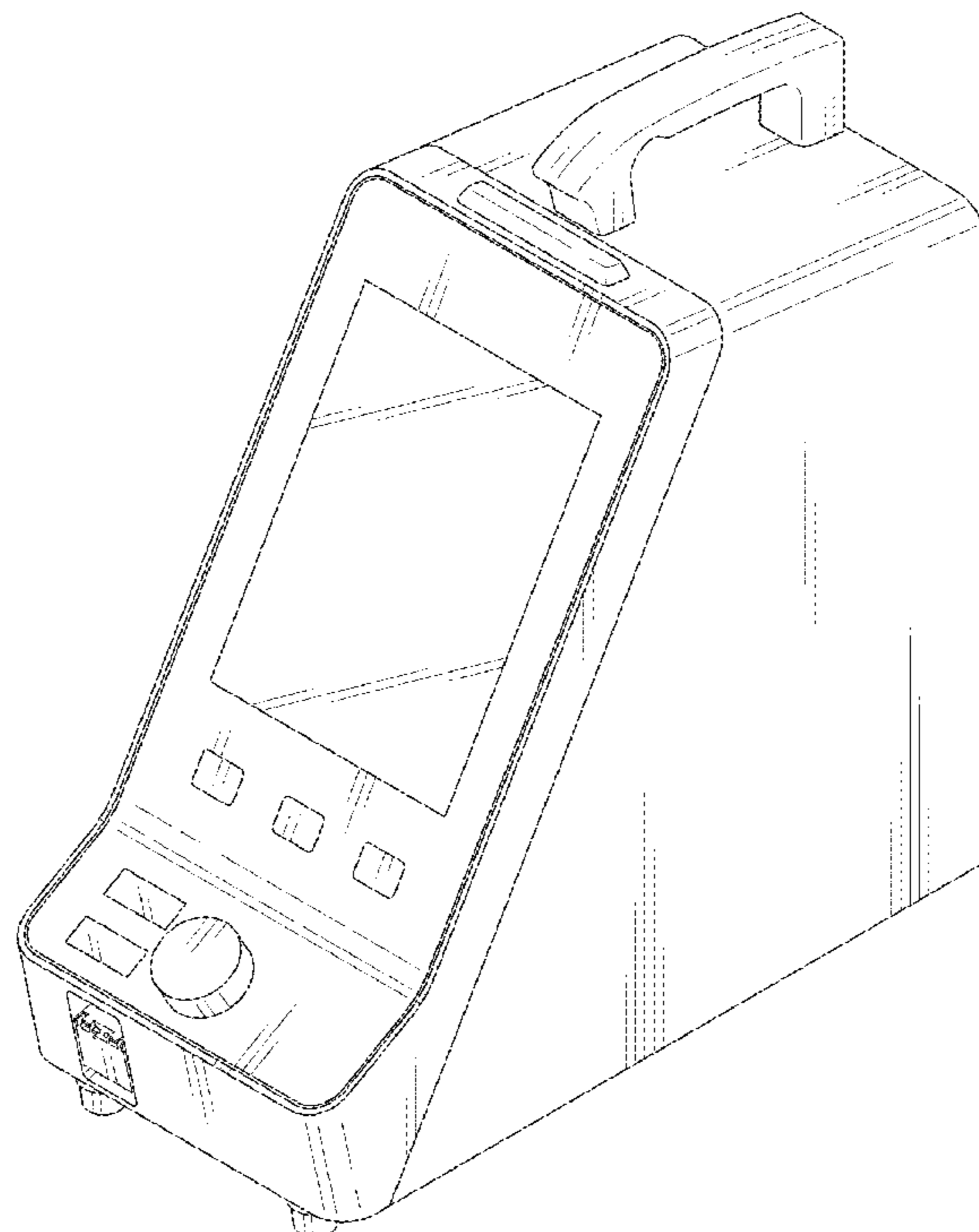


Fig. 1

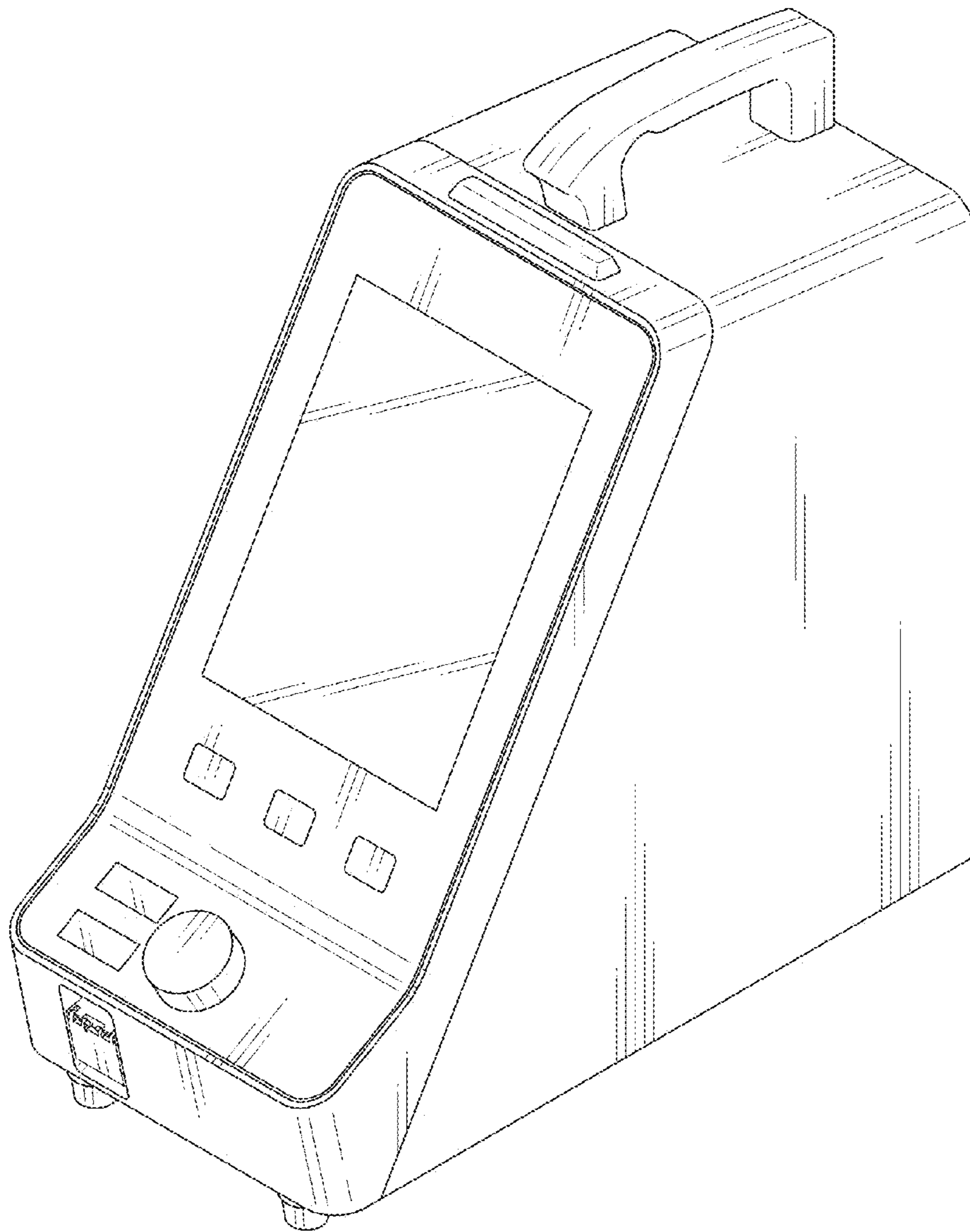


Fig. 2

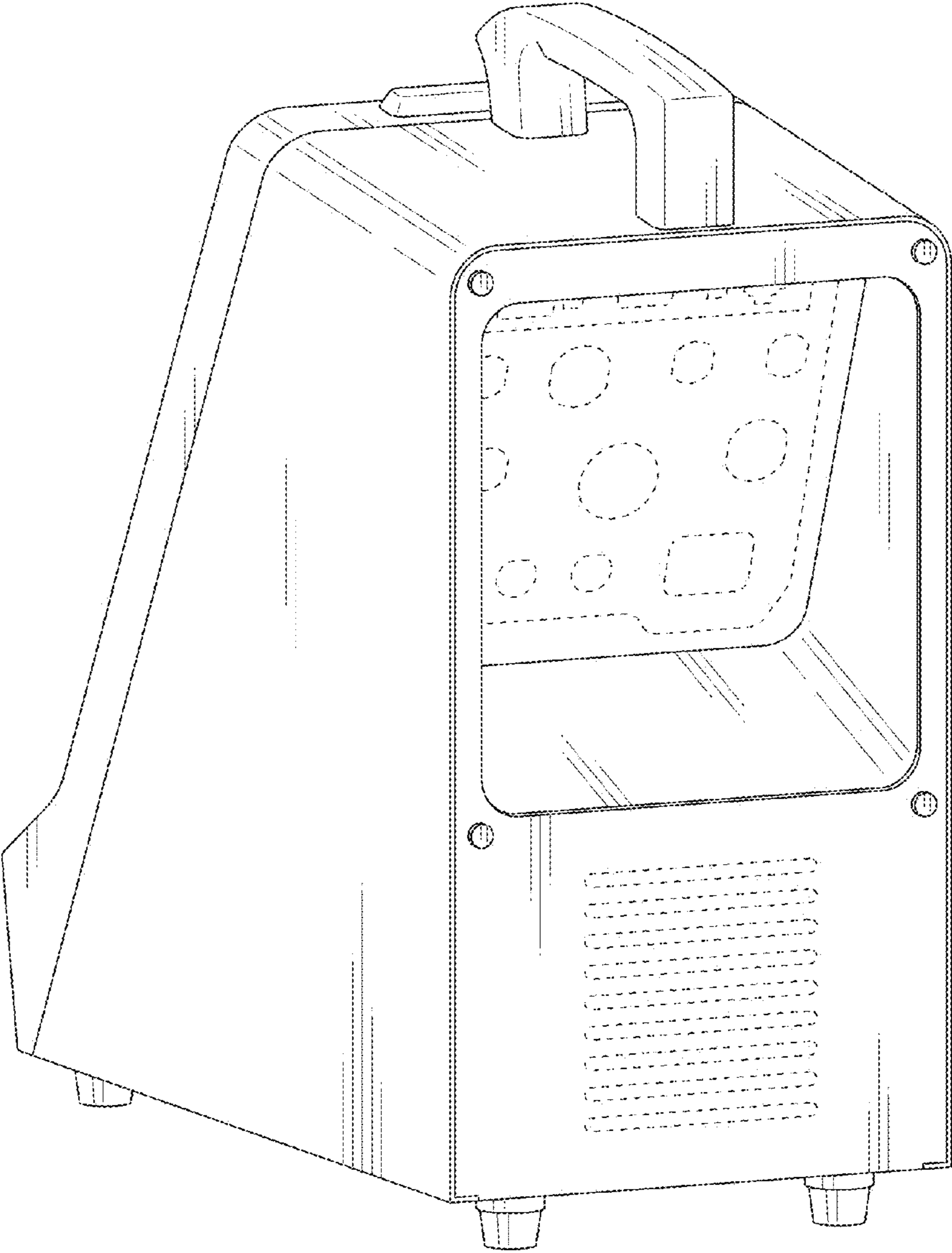


Fig. 3

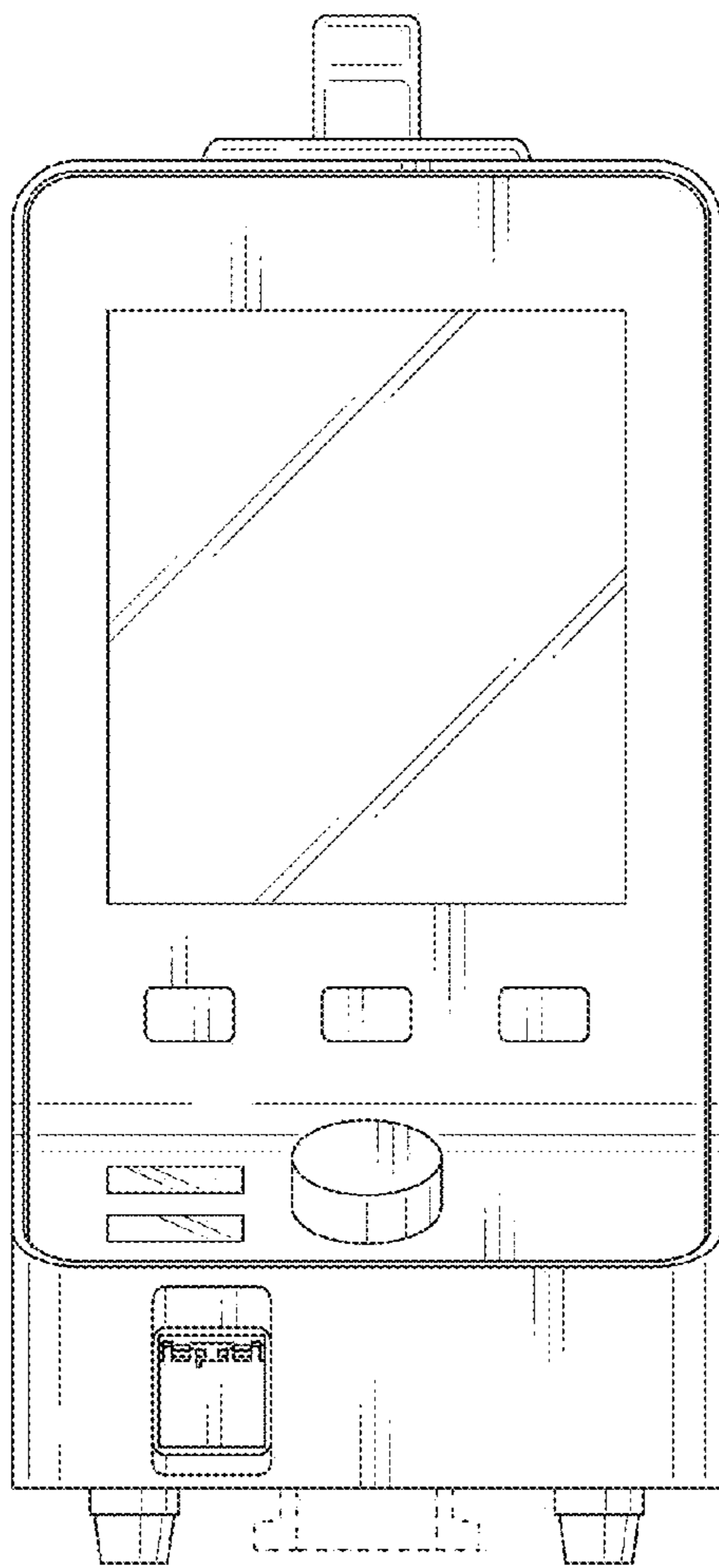


Fig. 4

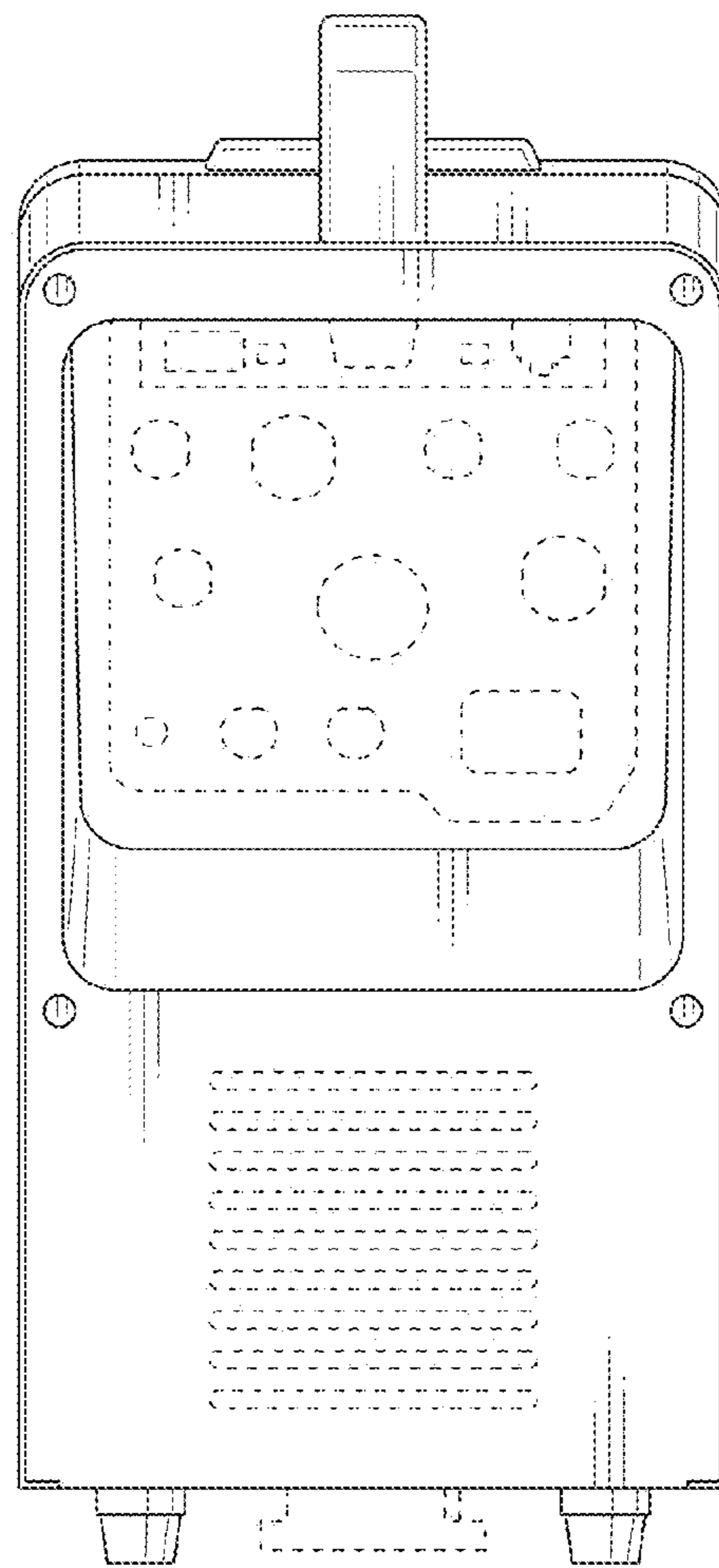


Fig. 5

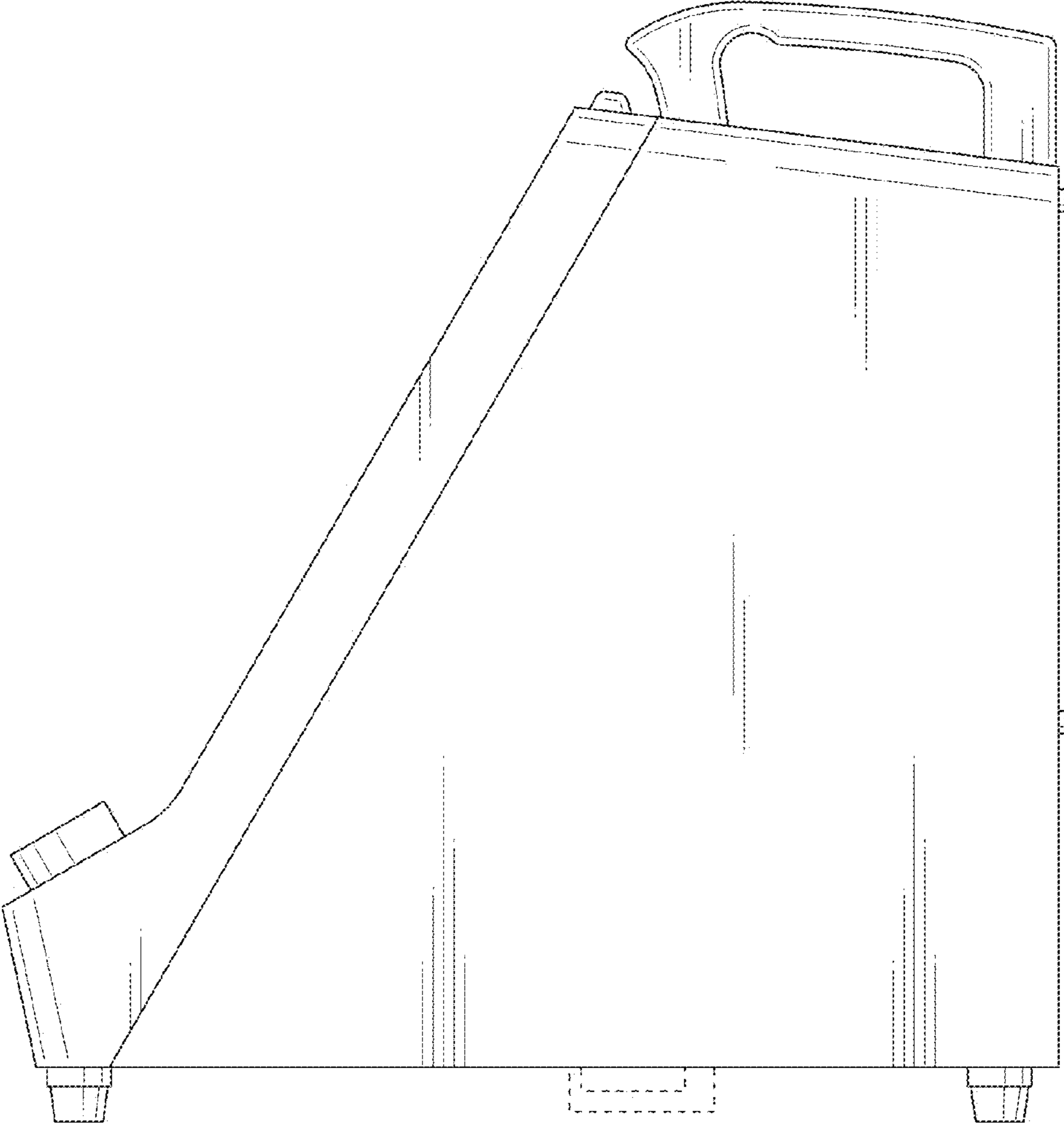


Fig. 6

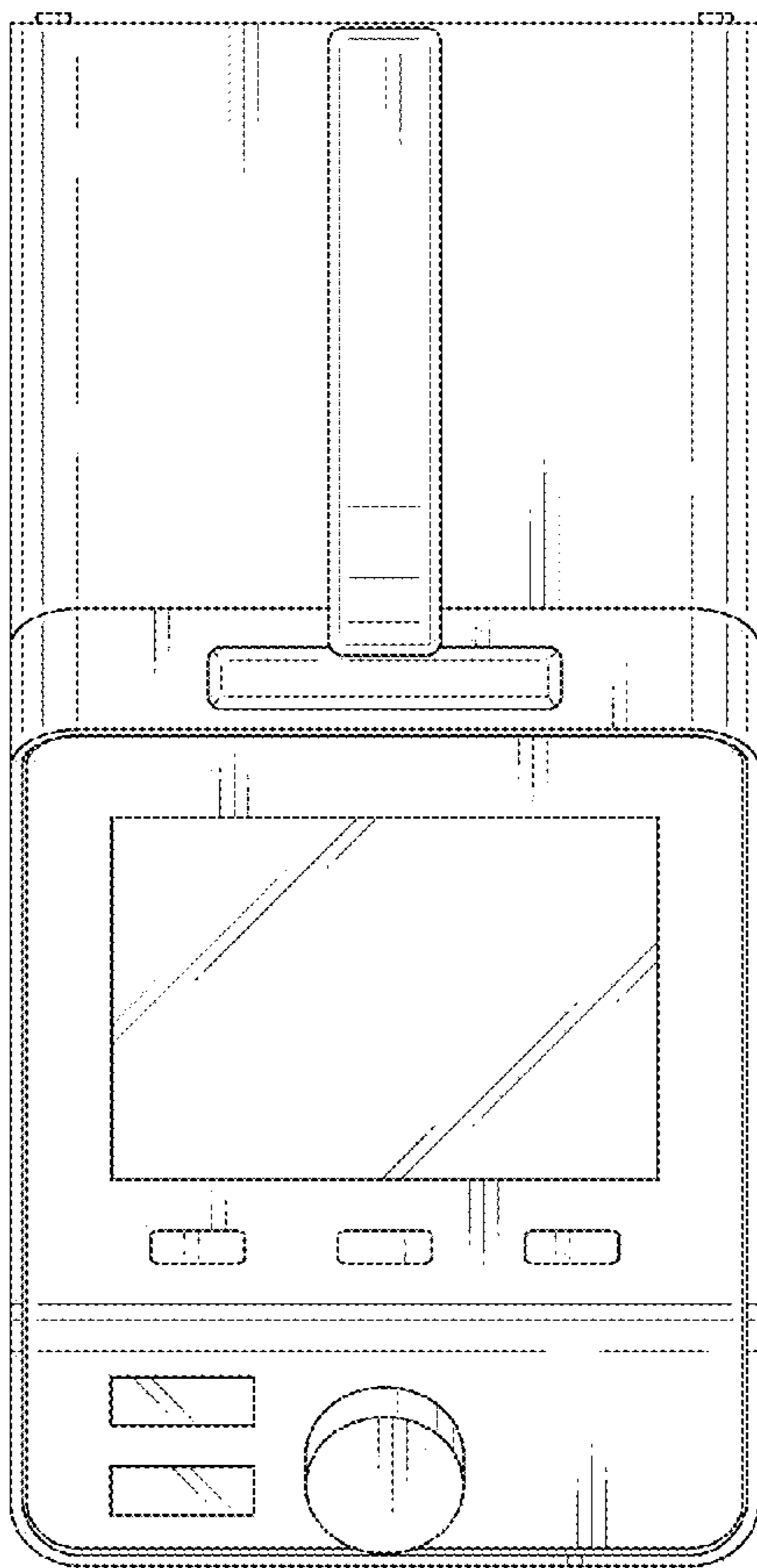


Fig. 7

