



US00D712414S

(12) **United States Design Patent**
Tsai et al.

(10) **Patent No.:** **US D712,414 S**
(45) **Date of Patent:** **** Sep. 2, 2014**

(54) **FLASH DRIVE**

(71) Applicant: **Power Quotient International Co., Ltd.**, New Taipei (TW)

(72) Inventors: **Chia-Hsin Tsai**, New Taipei (TW);
Hung-Yi Lin, New Taipei (TW);
Yu-Cheng Chang, New Taipei (TW);
Ya-Fen Chen, New Taipei (TW)

(73) Assignee: **Power Quotient International Co., Ltd.**, New Taipei (TW)

(**) Term: **14 Years**

(21) Appl. No.: **29/466,633**

(22) Filed: **Sep. 10, 2013**

(51) **LOC (10) Cl.** **14-02**

(52) **U.S. Cl.**
USPC **D14/480.6**

(58) **Field of Classification Search**
CPC H05K 5/0278; H05K 7/1454; G06K
19/07732; G06K 19/07741
USPC D14/411, 433, 435.1, 436, 480.1–480.7,
D14/484.1, 137, 155, 203.1–203.8, 240,
D14/242; D13/133, 146–147, 154, 184;
439/79, 607.23, 607.34, 638, 640, 660
See application file for complete search history.

(56) **References Cited**

U.S. PATENT DOCUMENTS

D414,743 S * 10/1999 Katoh D13/147
6,894,865 B2 * 5/2005 Chang et al. 360/97.11
6,926,544 B2 * 8/2005 Lee 439/147
D510,724 S * 10/2005 Li et al. D13/147
D531,578 S * 11/2006 Huang et al. D13/147
D556,751 S * 12/2007 Rambosek et al. D14/480.6
D580,434 S * 11/2008 Kim D14/480.6
D581,926 S * 12/2008 Kim D14/480.6
7,466,556 B2 * 12/2008 Hiew et al. 361/737

7,473,112 B2 * 1/2009 Zhu et al. 439/142
7,500,858 B2 * 3/2009 Emerson et al. 439/136
D594,871 S * 6/2009 Ma D14/480.6
7,563,140 B1 * 7/2009 Wan et al. 439/660
D610,157 S * 2/2010 Ma D14/480.6
7,740,495 B1 * 6/2010 Lo 439/142
D620,015 S * 7/2010 Nan et al. D14/480.6
D622,278 S * 8/2010 Ma D14/480.6
D622,279 S * 8/2010 Ma D14/480.6

(Continued)

OTHER PUBLICATIONS

Imation flash drive, [online], [retrieved on Dec. 4, 2006]. Retrieved from the Internet <URL: <http://www.sosoft.net/product/imation/5464-3.png>>.*

(Continued)

Primary Examiner — Karen E Kearney

(74) *Attorney, Agent, or Firm* — Muncy, Geissler, Olds & Lowe, P.C.

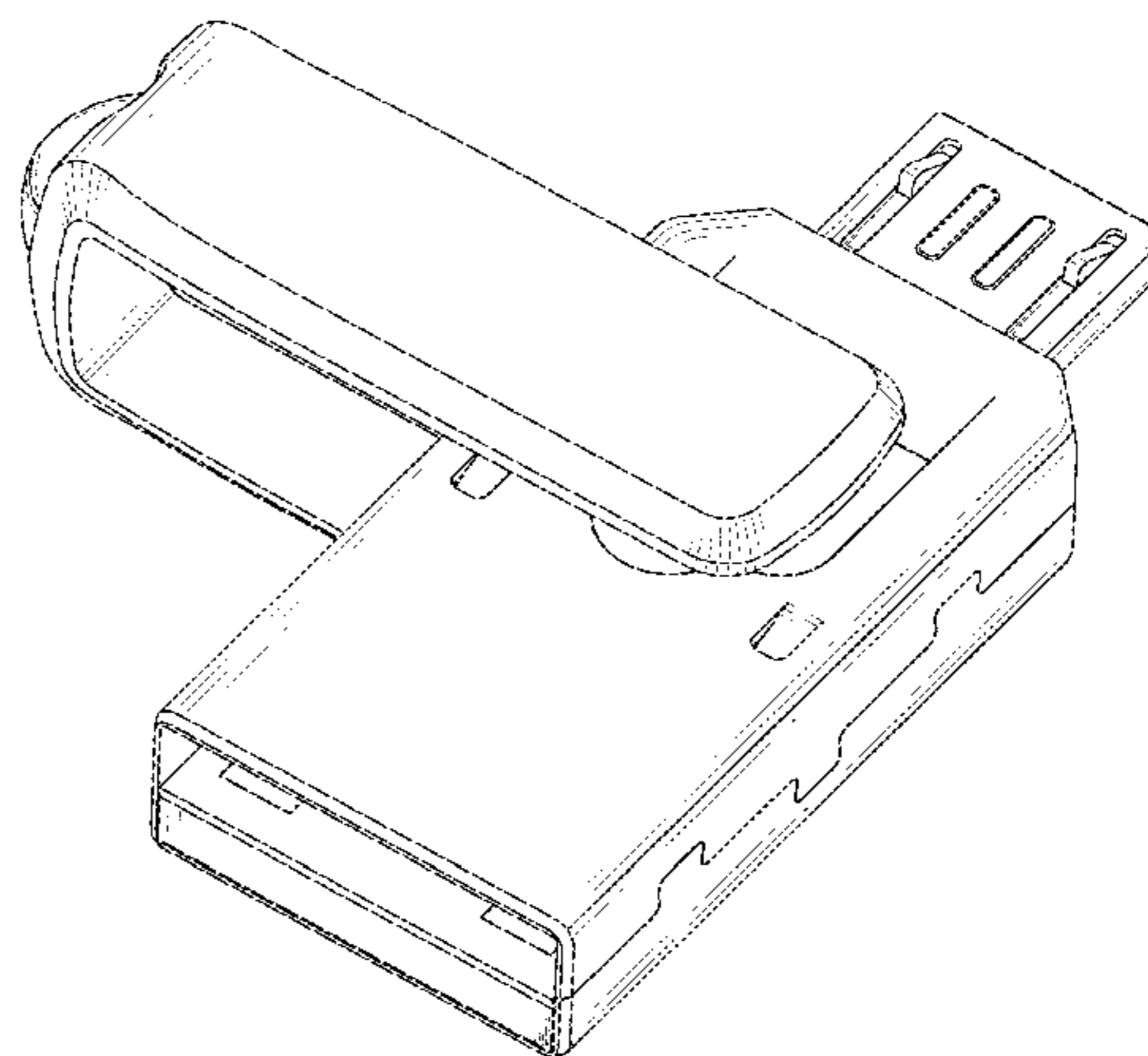
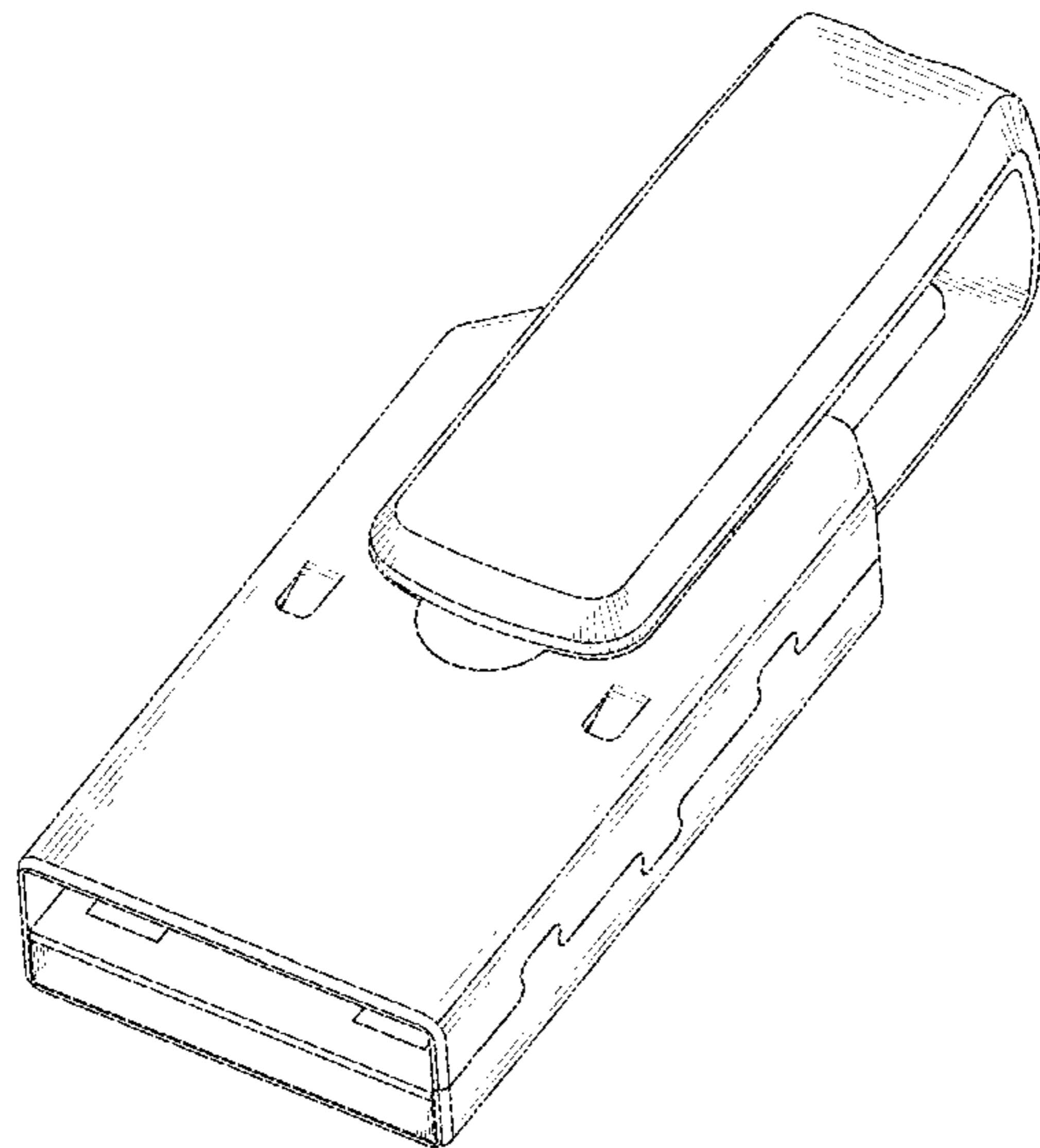
(57) **CLAIM**

The ornamental design for a flash drive, as shown and described.

DESCRIPTION

FIG. 1 is a perspective view of a flash drive showing our new design;
FIG. 2 is a front elevational view thereof;
FIG. 3 is a rear elevational view thereof;
FIG. 4 is a left side elevational view thereof;
FIG. 5 is a right side elevational view thereof;
FIG. 6 is a top plan view thereof;
FIG. 7 is a bottom plan view thereof; and,
FIG. 8 is a perspective view showing the flash drive in use.
The broken line showing is for the purpose of illustrating portions of the flash drive and forms no part of the claimed design.

1 Claim, 8 Drawing Sheets



(56)

References Cited

U.S. PATENT DOCUMENTS

7,985,082	B2 *	7/2011	Sun	439/131
D671,499	S *	11/2012	Su	D13/147
D672,315	S *	12/2012	Naito	D13/147
D680,069	S *	4/2013	Symons	D13/108
D680,498	S *	4/2013	Huang et al.	D13/147
D702,246	S *	4/2014	Hoffart et al.	D14/480.1
2007/0259570	A1 *	11/2007	Moshayedi	439/638
2009/0227144	A1 *	9/2009	Ma	439/620.15

OTHER PUBLICATIONS

Laptoplog >> Usb: Memoria Flash Swivel USB de 4Gb, [online Dec. 20, 2005], [retrieved on Jan. 30, 2007]. Retrieved from the Internet <URL: <http://www.laptoplog.com/category/accesorios/usb/>>.*

PQI Connect 203—PQI Group, [online], [retrieved on Jan. 6, 2014]. Retrieved from the Internet <URL: http://www.pqigroup.com/prod_in.aspx?mnuid=1286&modid=138&prodid=946>.*

PQI unveils upcoming micro-USB OTG drives and accessories, Web Archive [online] Jun. 12, 2013 [retrieved on Apr. 18, 2014]. Retrieved from the Internet <URL: <https://web.archive.org/web/20130612165707/http://www.engadget.com/2013/06/09/pqi-connect-micro-usb-otg-drive>>.*

8GB USB Memory Stick USB2 Double ended USB and Micro USB for Smartphones | Londisk, Home of Micro SD Cards, SD Cards, SDHC, SDXC, USB, [online], [retrieved on Apr. 18, 2014]. Retrieved from the Internet <URL: <http://www.londisk.co.uk/?product=8gb-usb-memory-stick-usb2-double-ended-usb-and-micro-usb-for-smartphones>>.*

* cited by examiner

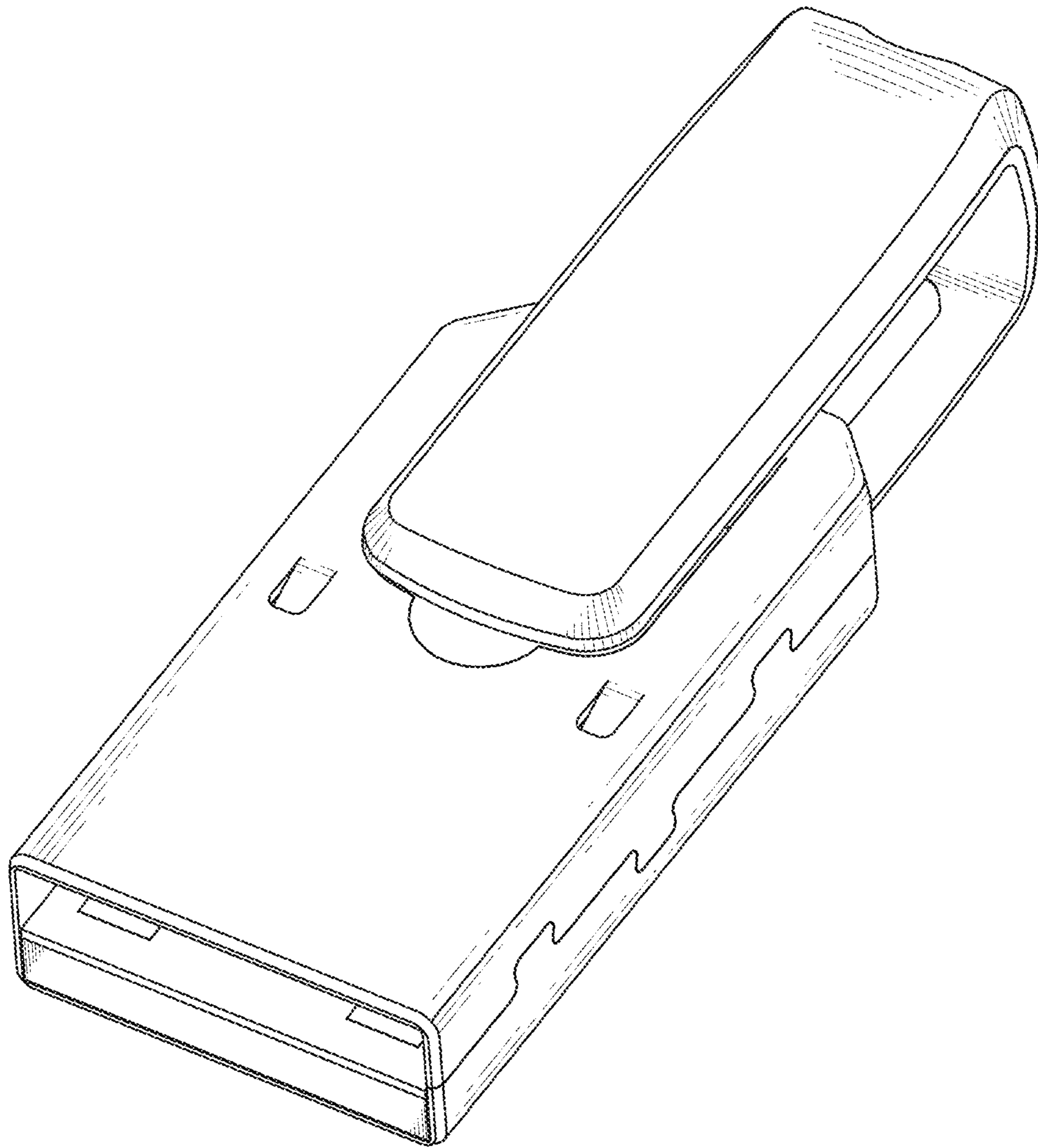


FIG. 1

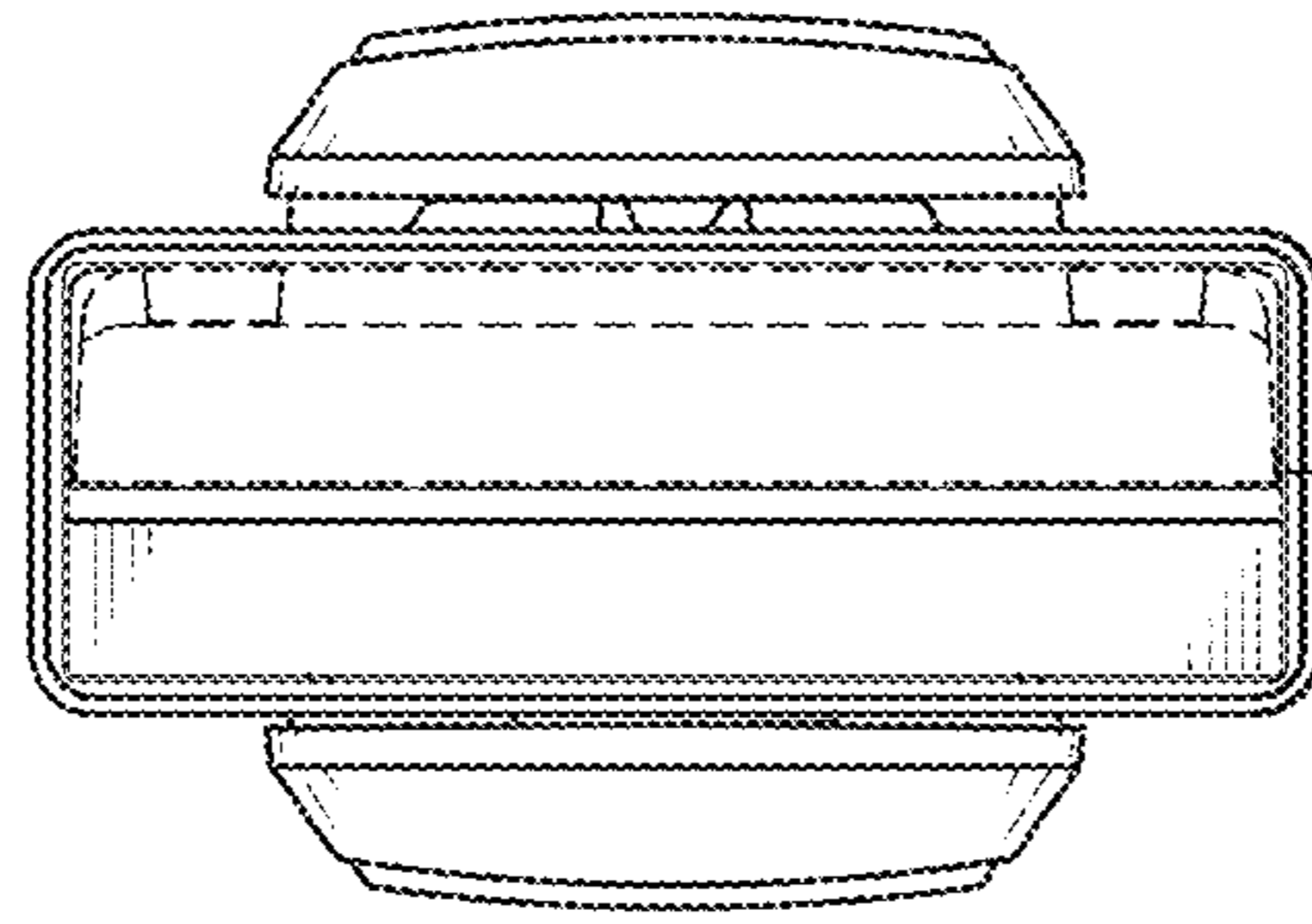


FIG. 2

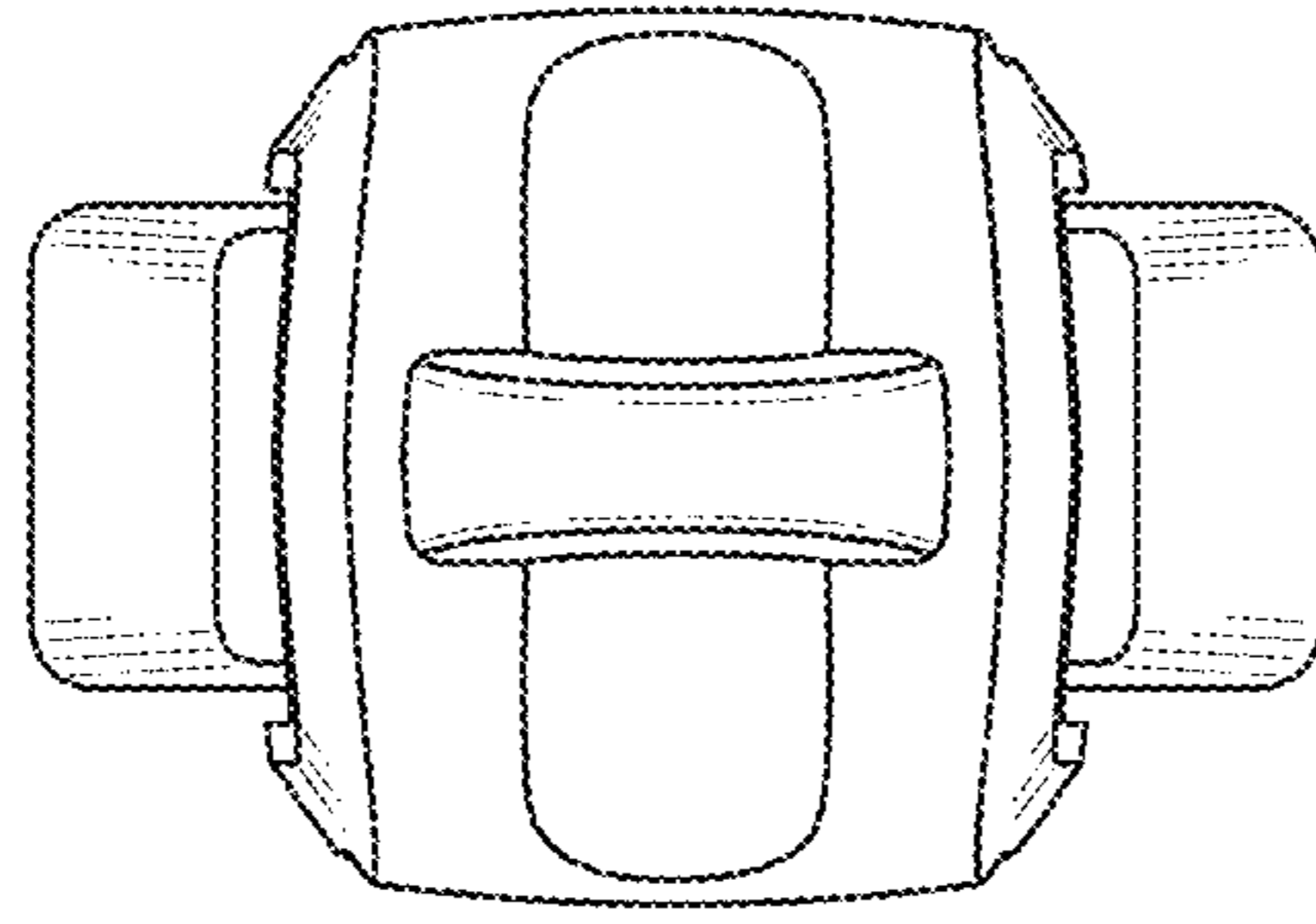


FIG. 3

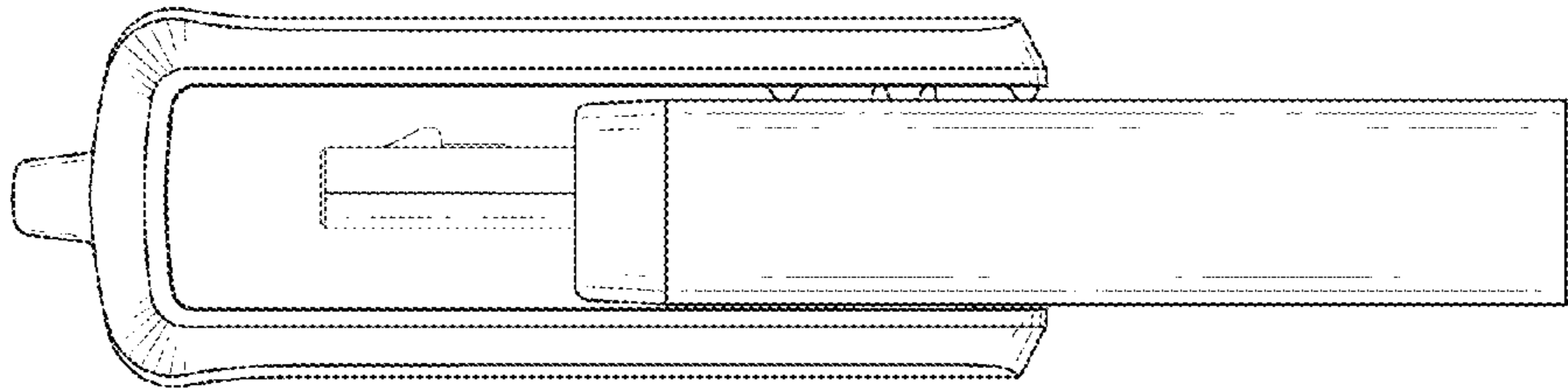


FIG. 4

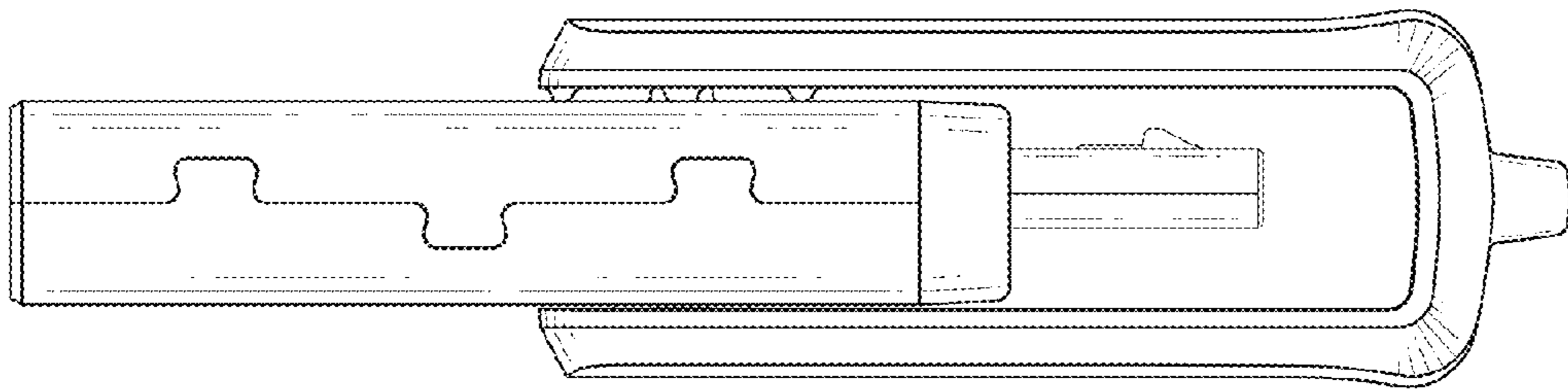


FIG. 5

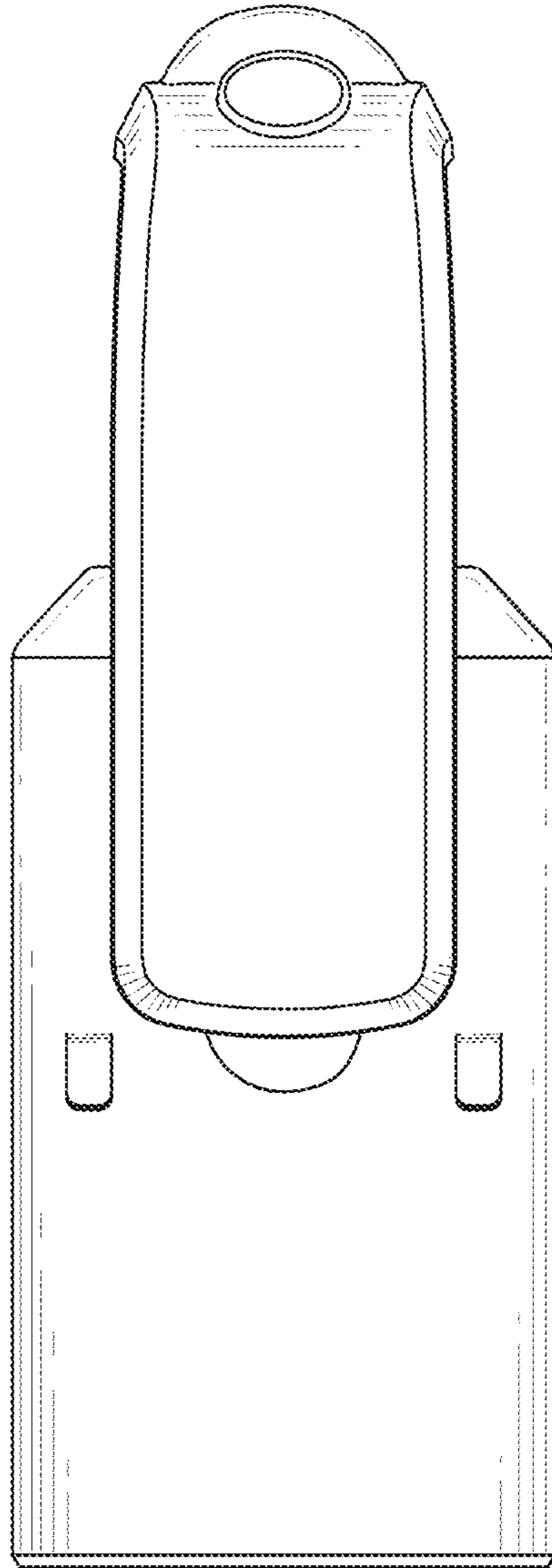


FIG. 6

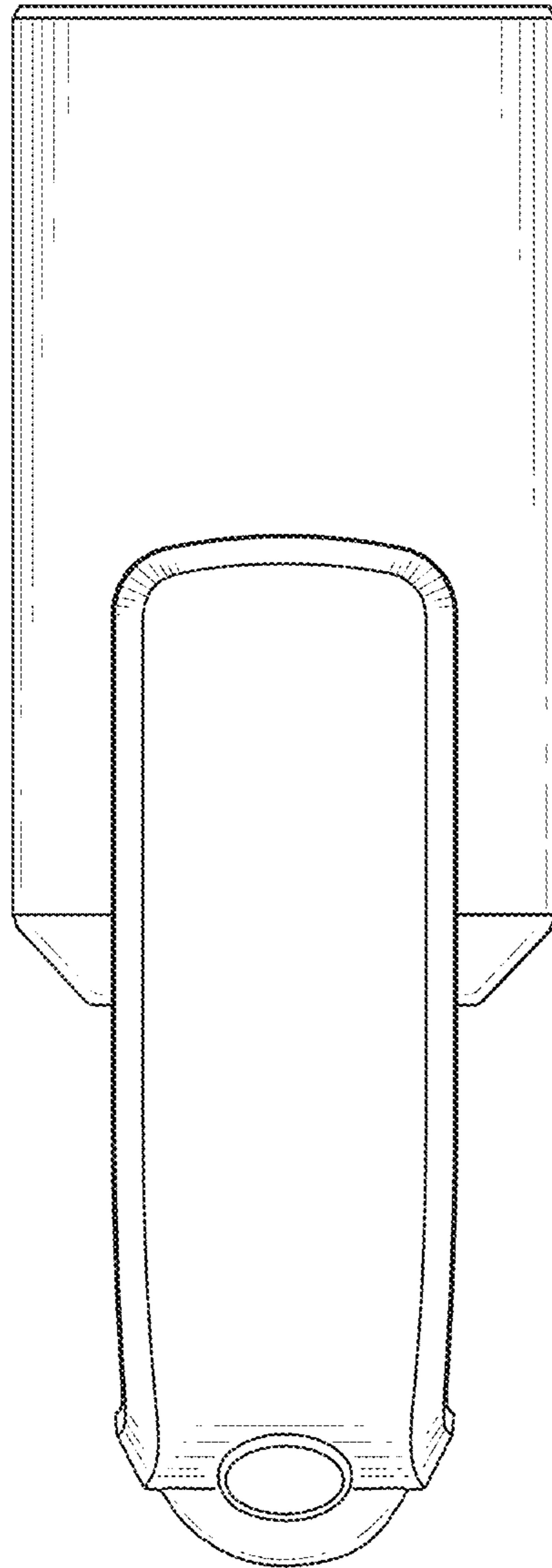


FIG. 7

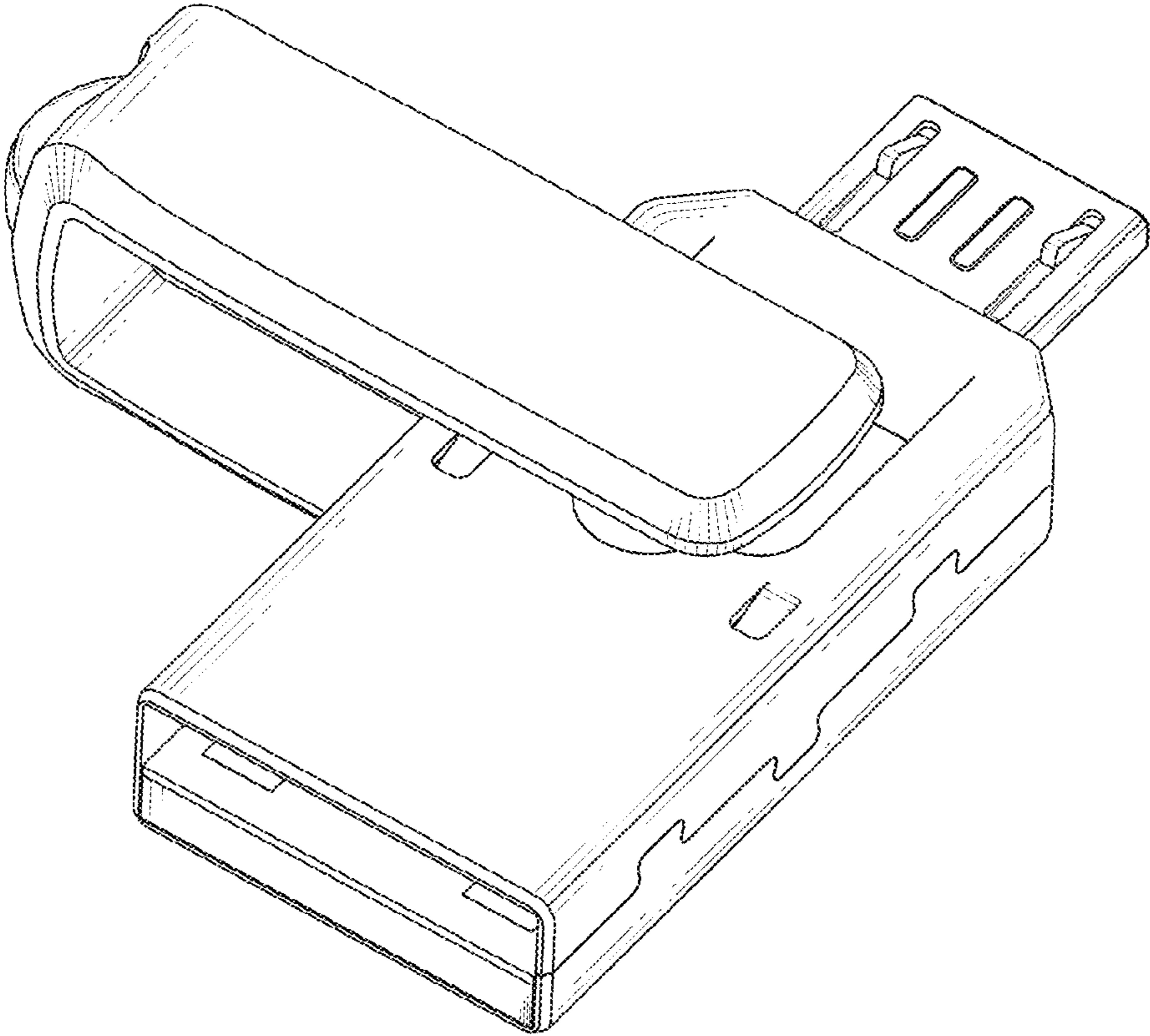


FIG. 8