



US00D712412S

(12) **United States Design Patent**  
**Bleau et al.**

(10) **Patent No.:** **US D712,412 S**  
(45) **Date of Patent:** **\*\* Sep. 2, 2014**

(54) **CASE FOR AN ELECTRONIC TABLET**

(76) Inventors: **Michael Bleau**, Grand Blanc, MI (US);  
**Aaron Berendt**, Milford, MI (US);  
**Melvin R. Reynolds**, Grand Blanc, MI (US);  
**Gordon Y. Taylor**, Grand Blanc, MI (US)

(\*\*) Term: **14 Years**

(21) Appl. No.: **29/425,385**

(22) Filed: **Jun. 22, 2012**

(51) **LOC (10) Cl.** ..... **14-02**

(52) **U.S. Cl.**  
USPC ..... **D14/440**

(58) **Field of Classification Search**  
USPC ..... D14/250, 251, 253, 240, 217, 496, 440,  
D14/203.3, 203.4, 203.5, 203.8, 341, 318;  
D3/218, 215, 201, 294, 289, 900;  
220/4.02; 248/309.1; 361/679.56;  
379/426, 433.11, 455; 455/575.1,  
455/575.8; 190/100; 206/305, 320;  
D21/469

See application file for complete search history.

(56) **References Cited**

**U.S. PATENT DOCUMENTS**

D156,107 S *	11/1949	Horton, Jr. et al.	.....	D3/276
D363,511 S *	10/1995	Hui	.....	D21/329
D492,303 S *	6/2004	Schlieffers et al.	.....	D14/341
D498,753 S *	11/2004	Yamada	.....	D14/328
D532,822 S *	11/2006	White et al.	.....	D19/52
D594,004 S *	6/2009	Takemasa	.....	D14/341
D626,123 S *	10/2010	Peng	.....	D14/324
8,016,107 B2 *	9/2011	Emsky	.....	206/320
D689,056 S *	9/2013	Li	.....	D14/440
D690,305 S *	9/2013	Wen	.....	D14/440

D691,144 S *	10/2013	Peters et al.	.....	D14/440
D691,146 S *	10/2013	Perez	.....	D14/440
D694,246 S *	11/2013	Park et al.	.....	D14/440
2012/0170212 A1 *	7/2012	Gallouzi et al.	.....	361/679.56

\* cited by examiner

*Primary Examiner* — Cynthia Underwood  
(74) *Attorney, Agent, or Firm* — Harness, Dickey & Pierce, P.L.C.

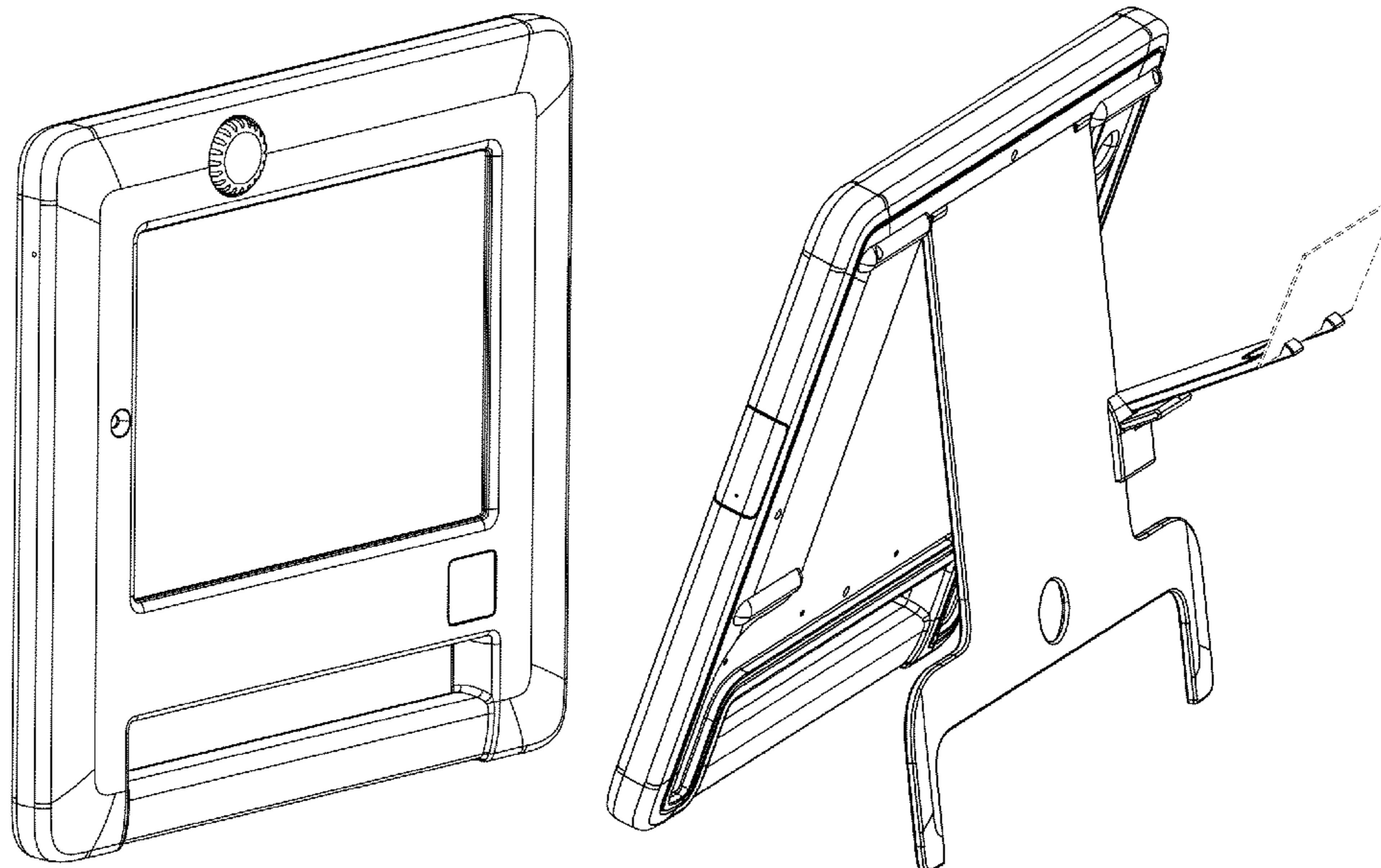
(57) **CLAIM**

The ornamental design for a case for an electronic tablet, as shown and described.

**DESCRIPTION**

FIG. 1 is a front perspective view of the new design;  
FIG. 2 is a rear perspective view thereof;  
FIG. 3 is a front elevation view thereof;  
FIG. 4 is a top plan view thereof;  
FIG. 5 is a right side elevation view thereof;  
FIG. 6 is a left side elevation view thereof;  
FIG. 7 is a bottom plan view thereof;  
FIG. 8 is a rear elevation view thereof  
FIG. 9 is a front perspective view of the new design with the arms extended;  
FIG. 10 is a rear perspective view thereof;  
FIG. 11 is a front elevation view thereof;  
FIG. 12 is a right side elevation view thereof;  
FIG. 13 is a top plan view thereof;  
FIG. 14 is a left side elevation view thereof;  
FIG. 15 is a bottom plan view thereof; and,  
FIG. 16 is a rear elevation view thereof.  
The broken lines are included for illustrative purposes only and form no part of the claim.

**1 Claim, 7 Drawing Sheets**



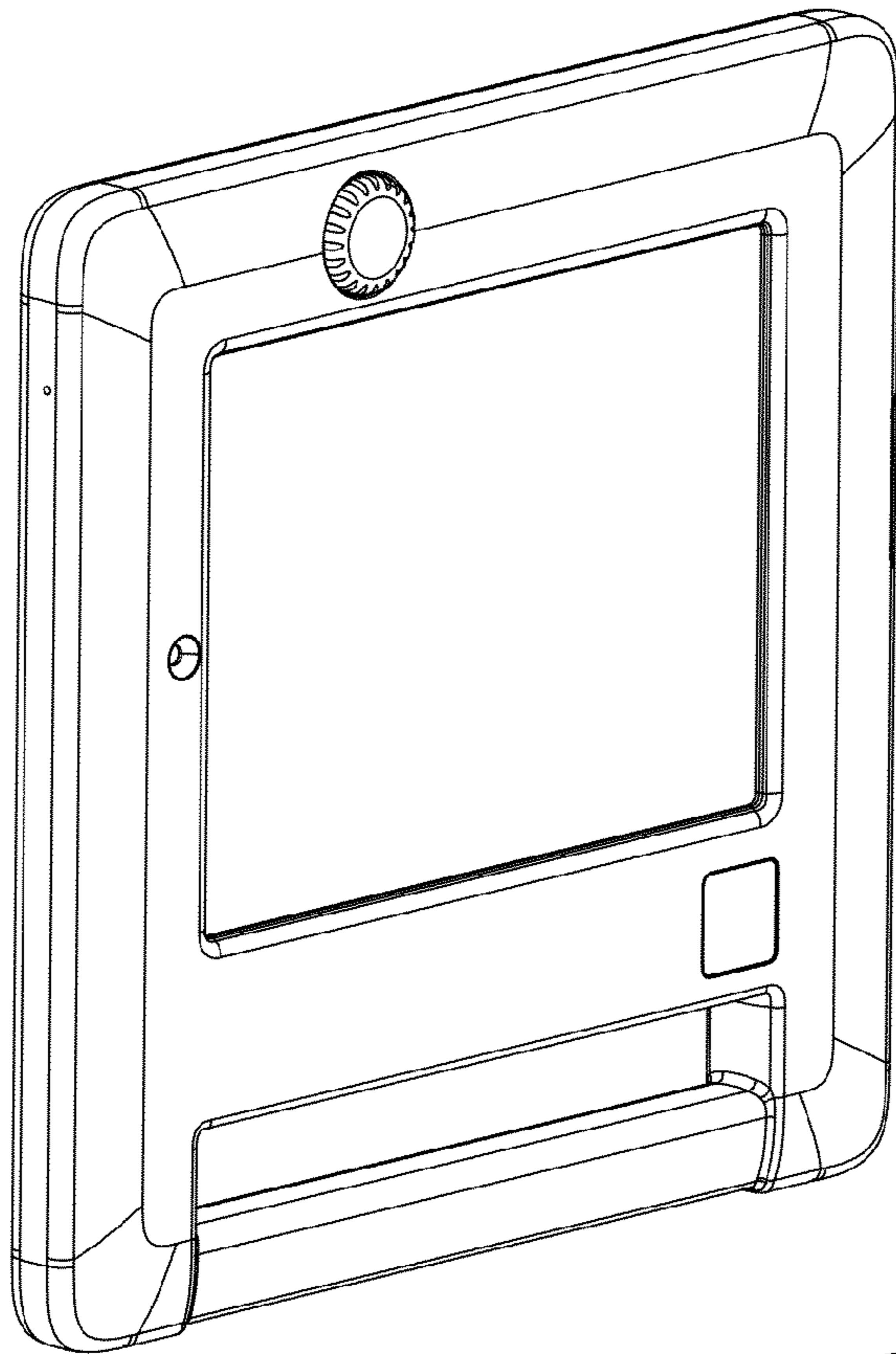


FIG - 1

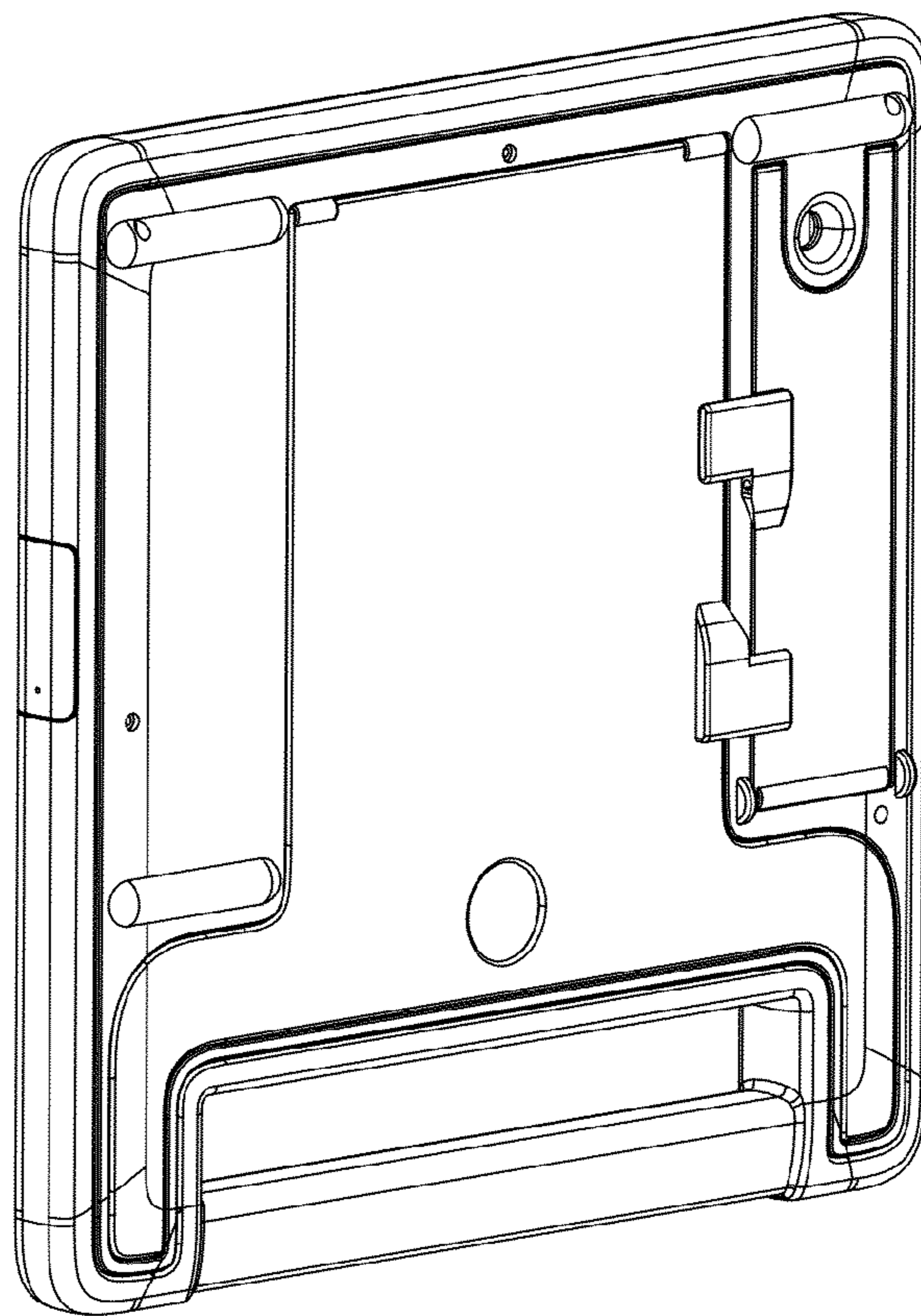


FIG - 2

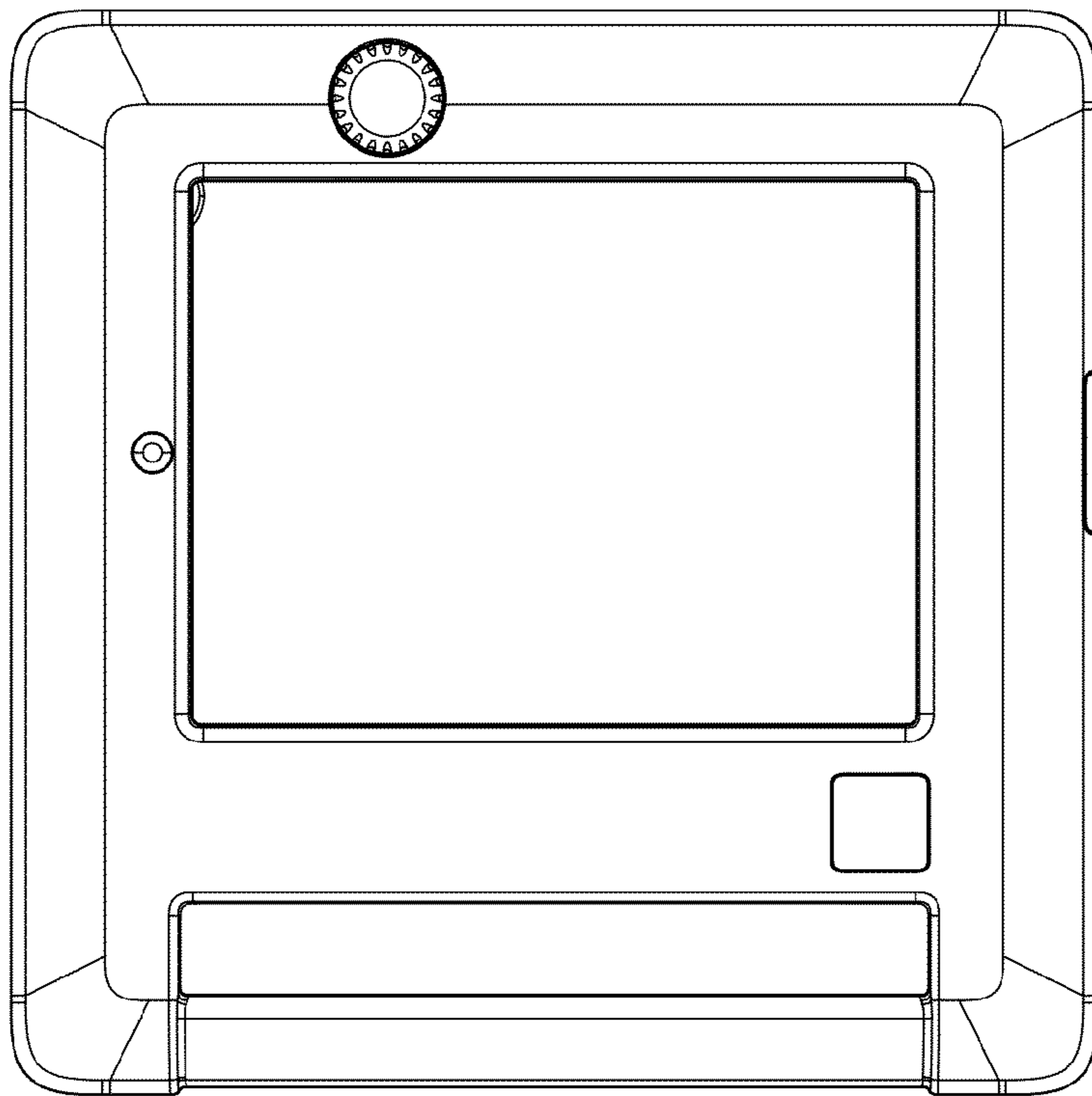


FIG - 3

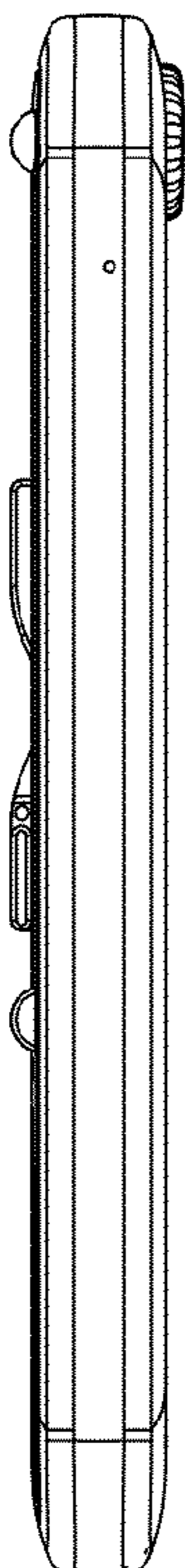


FIG - 5

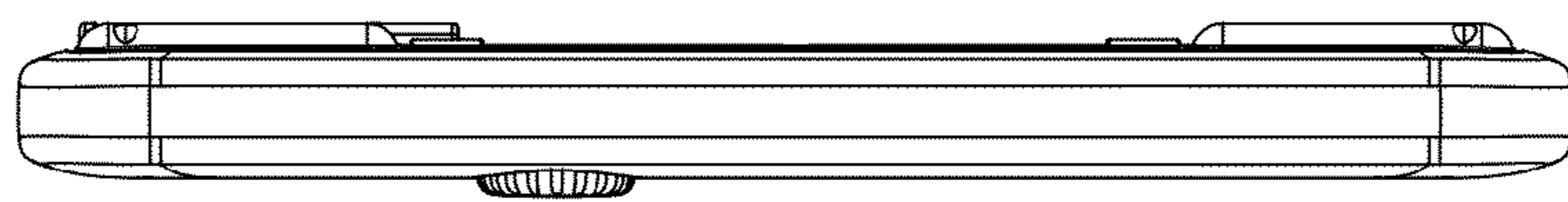


FIG - 4

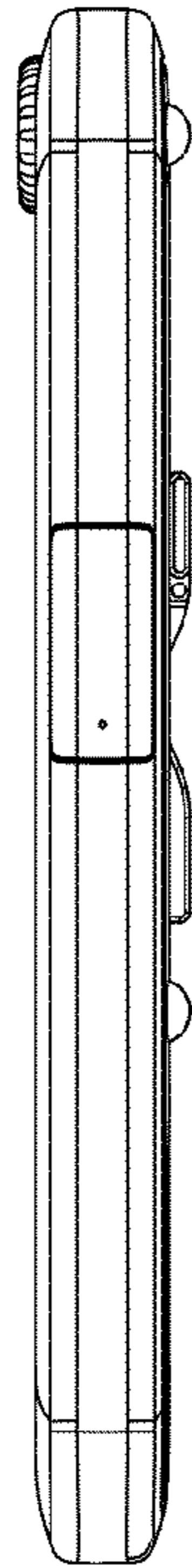


FIG - 6

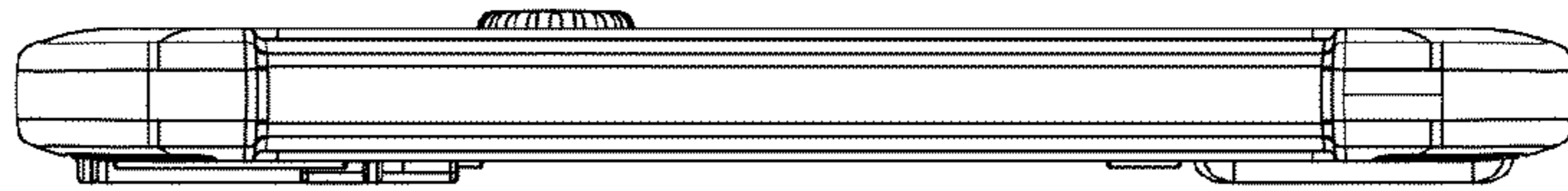


FIG - 7

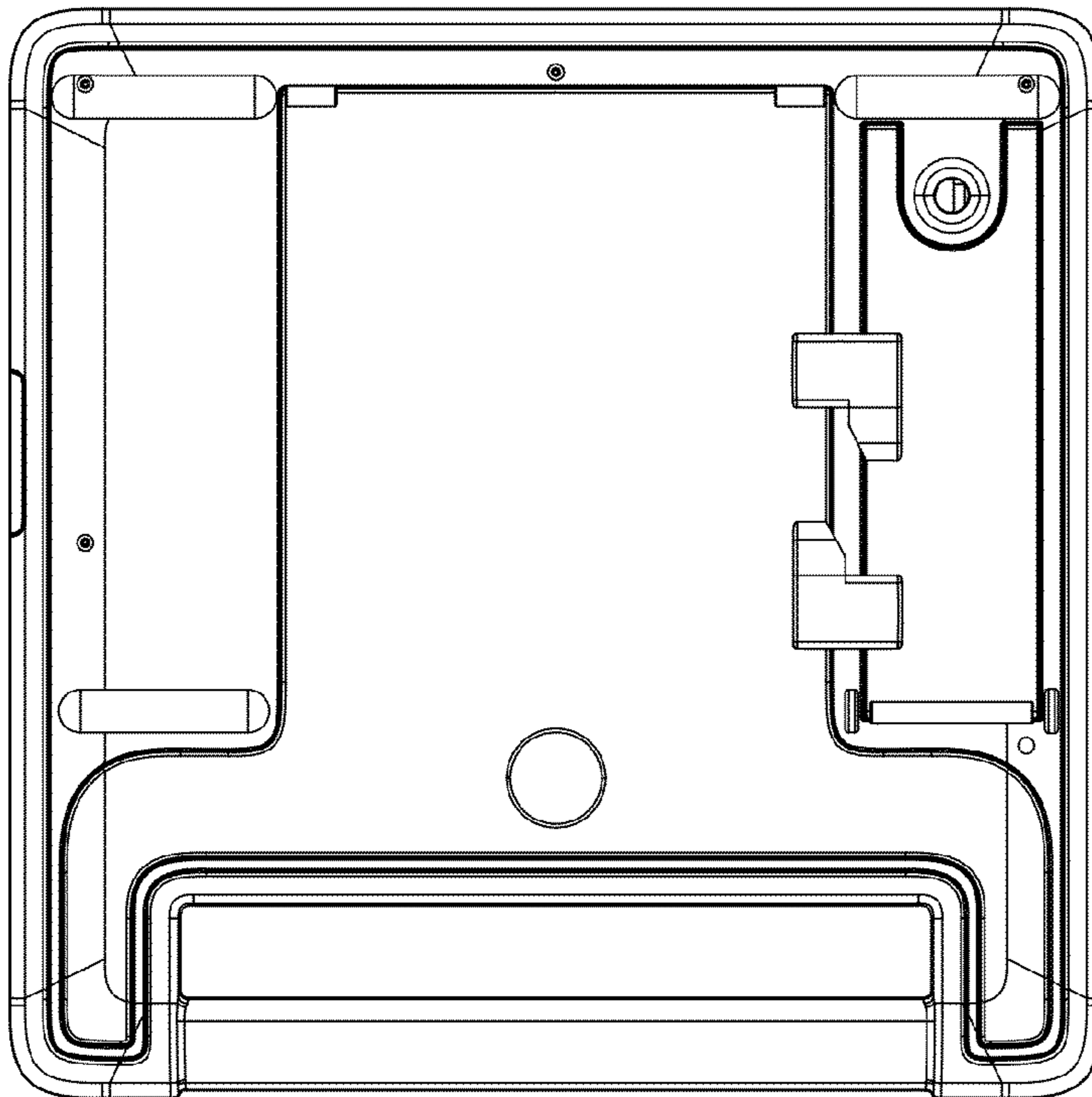


FIG - 8

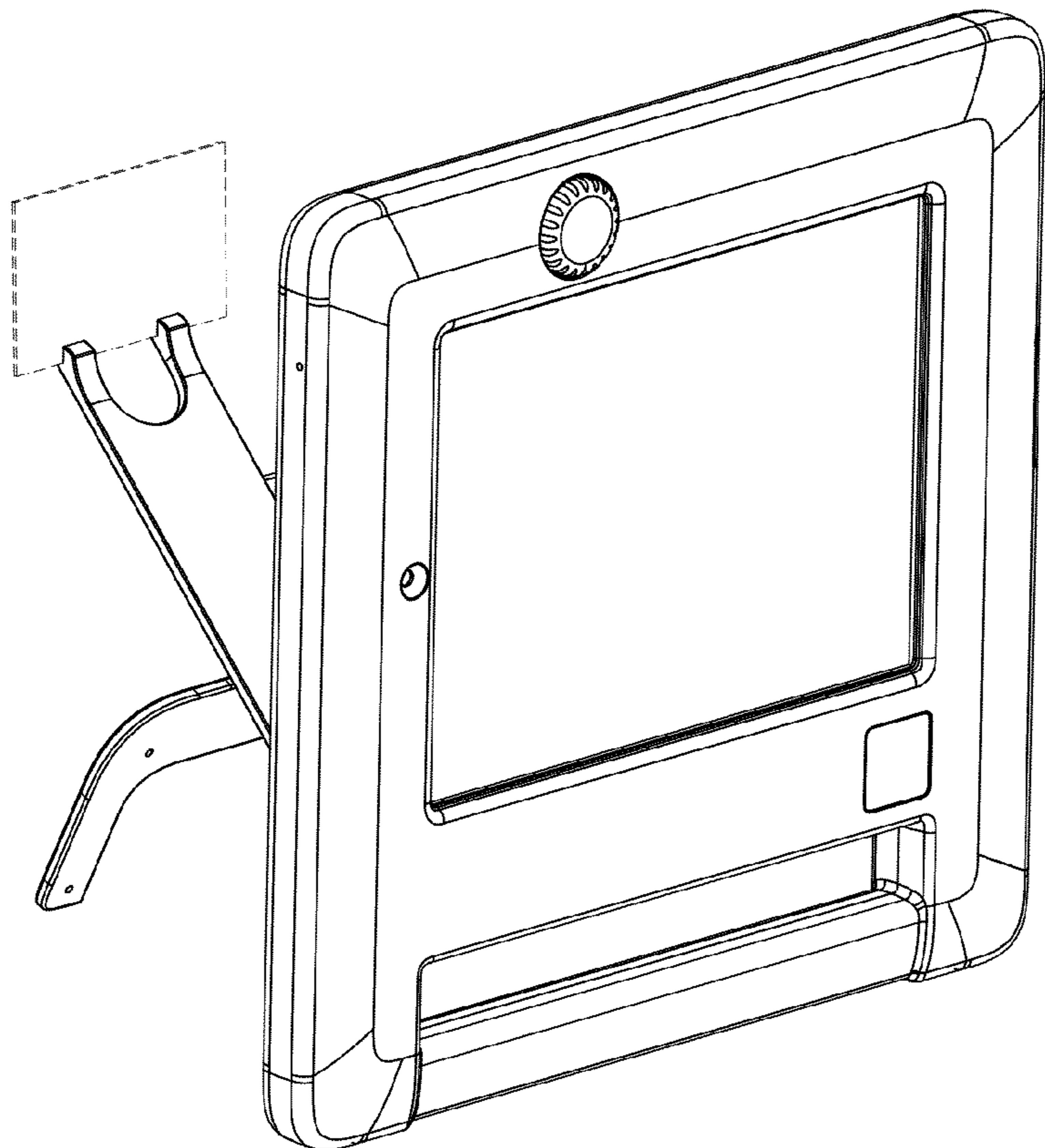
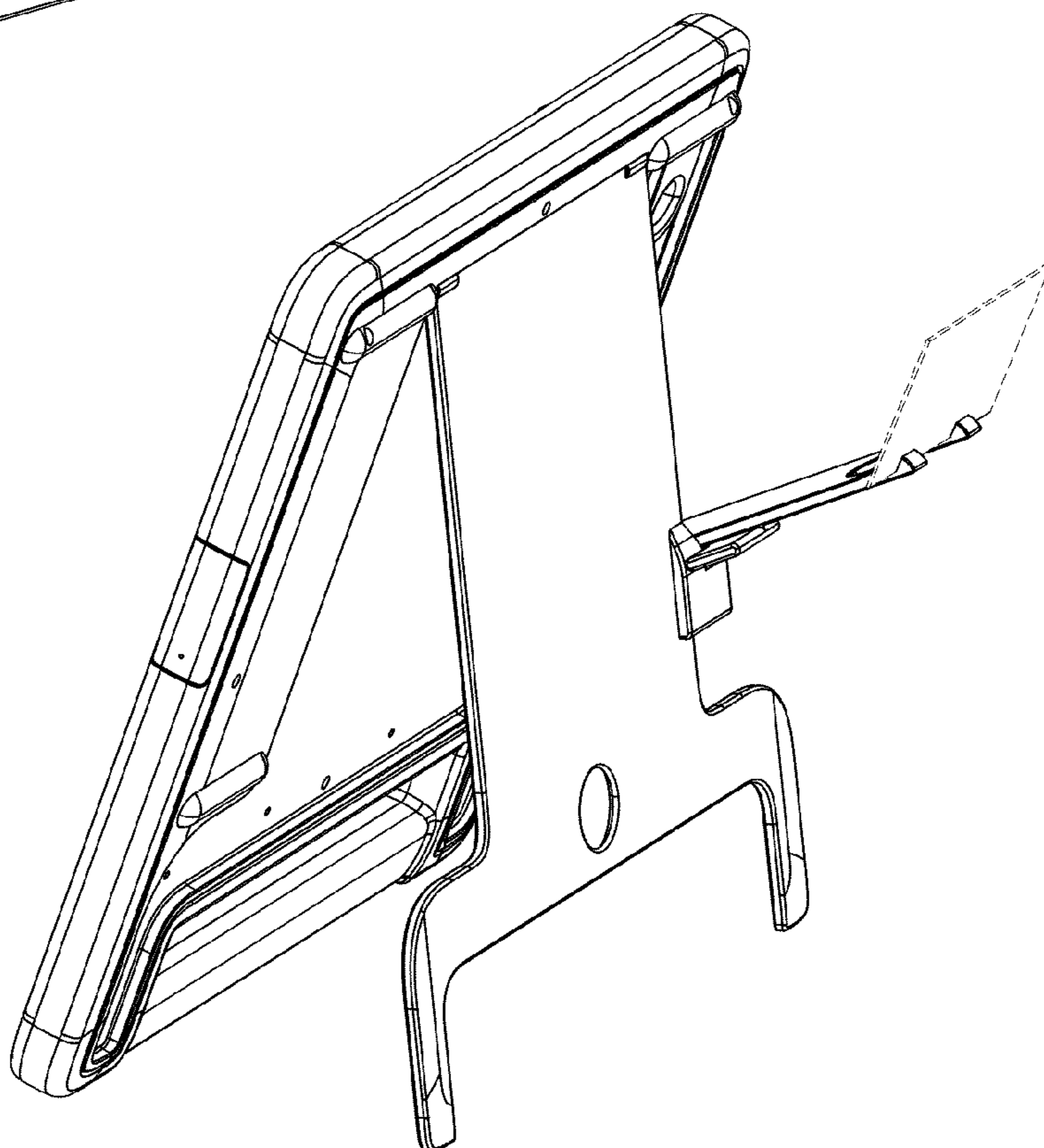


FIG - 9

FIG - 10



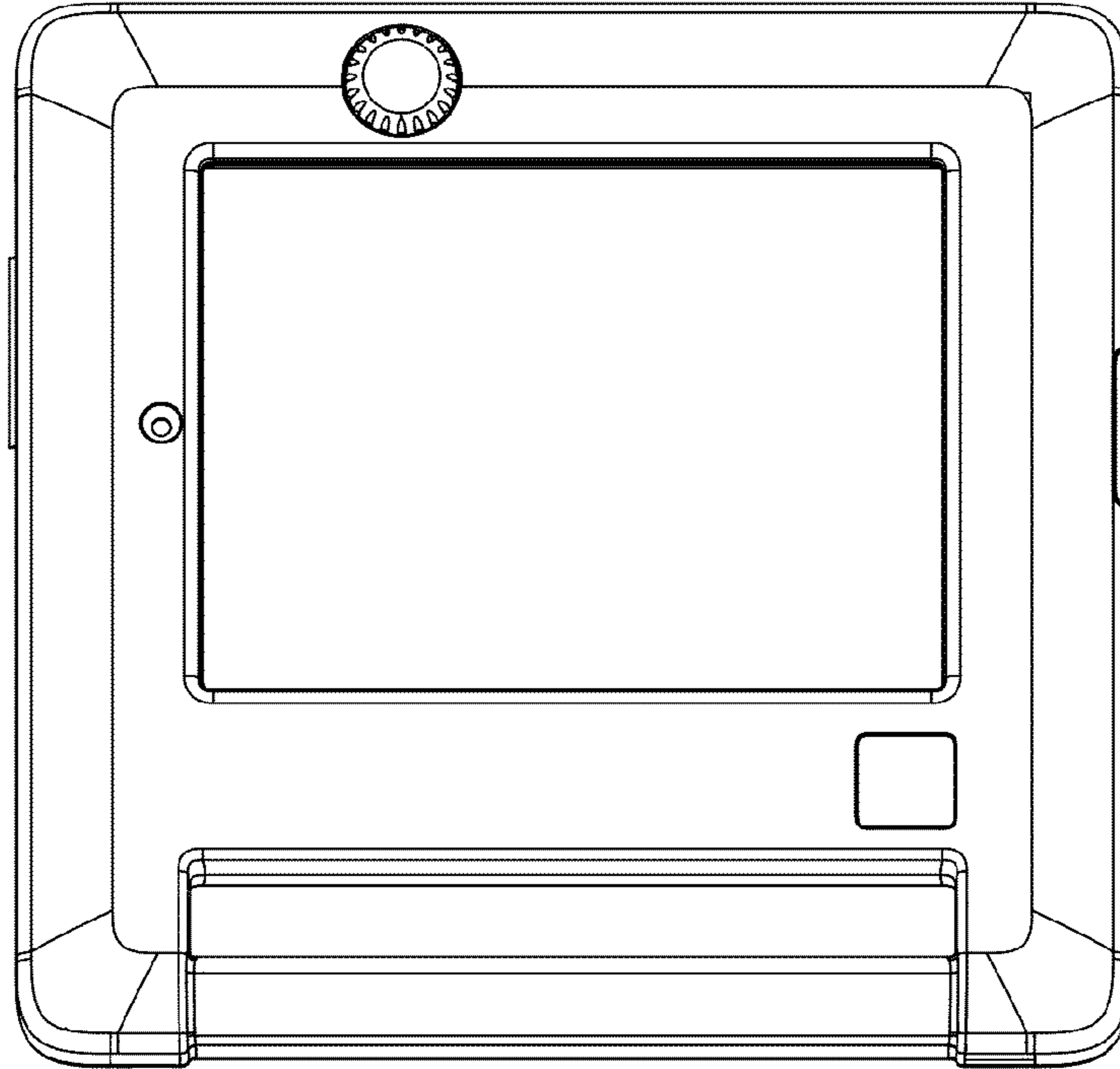


FIG - 11

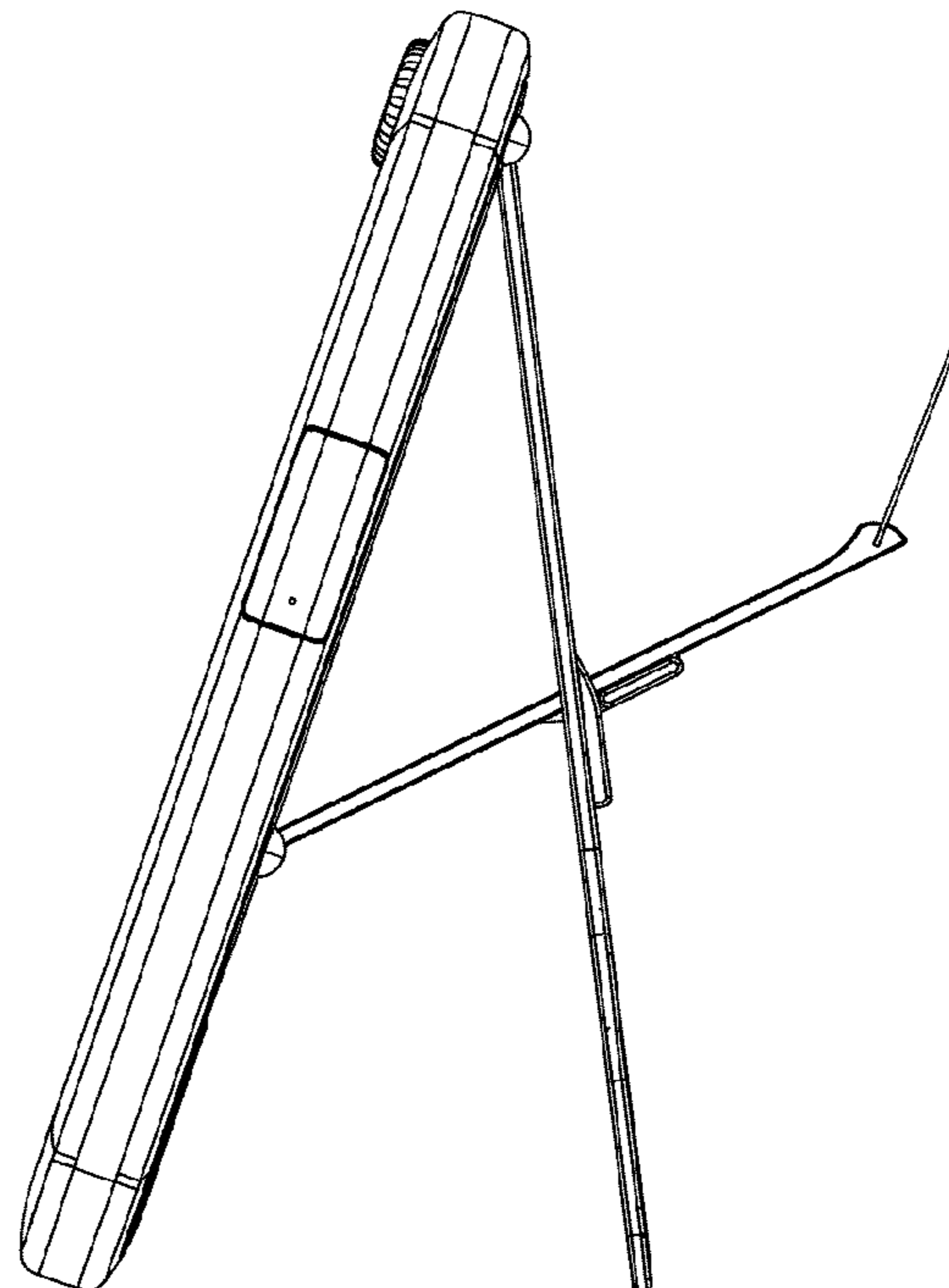


FIG - 12

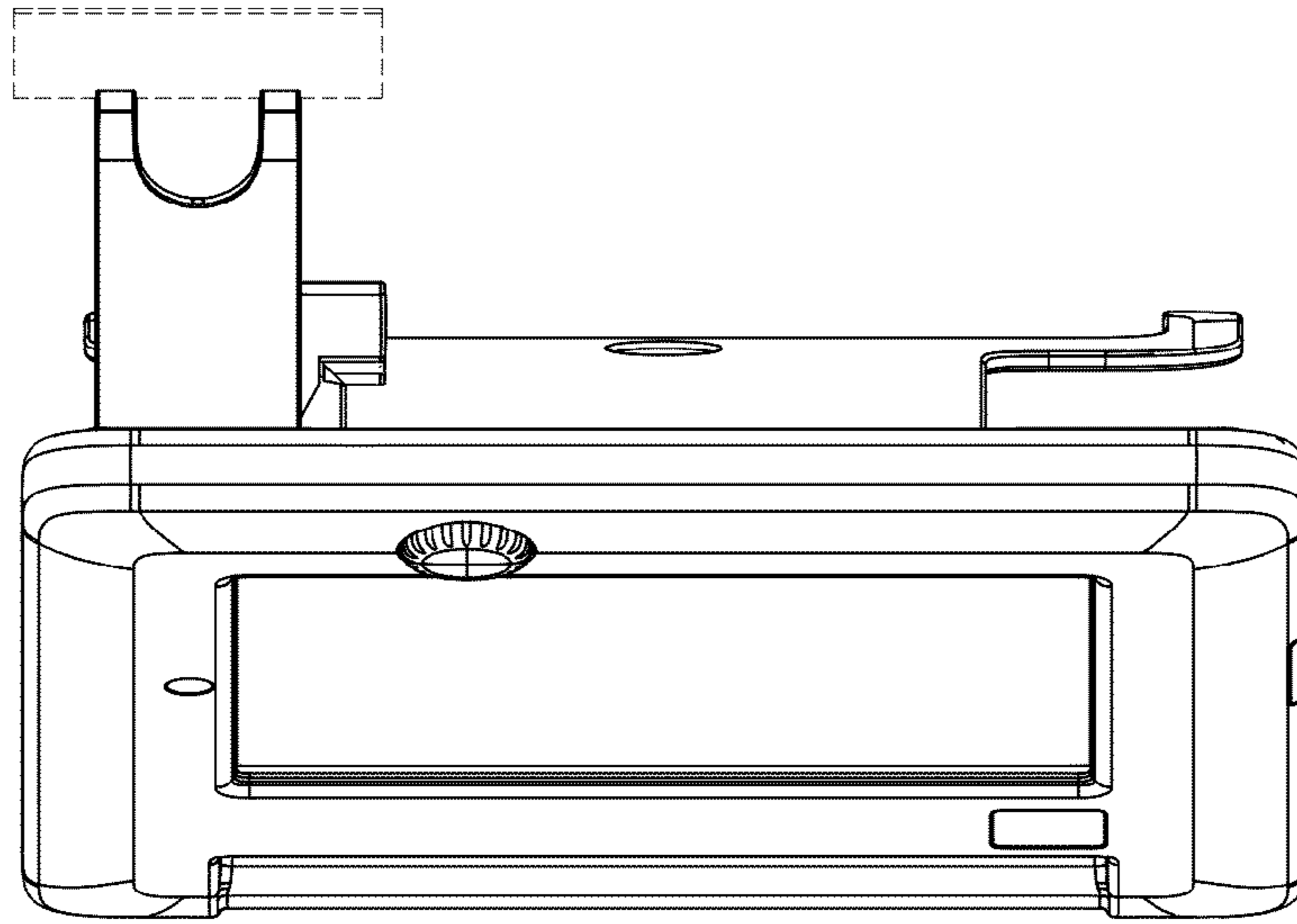


FIG - 13

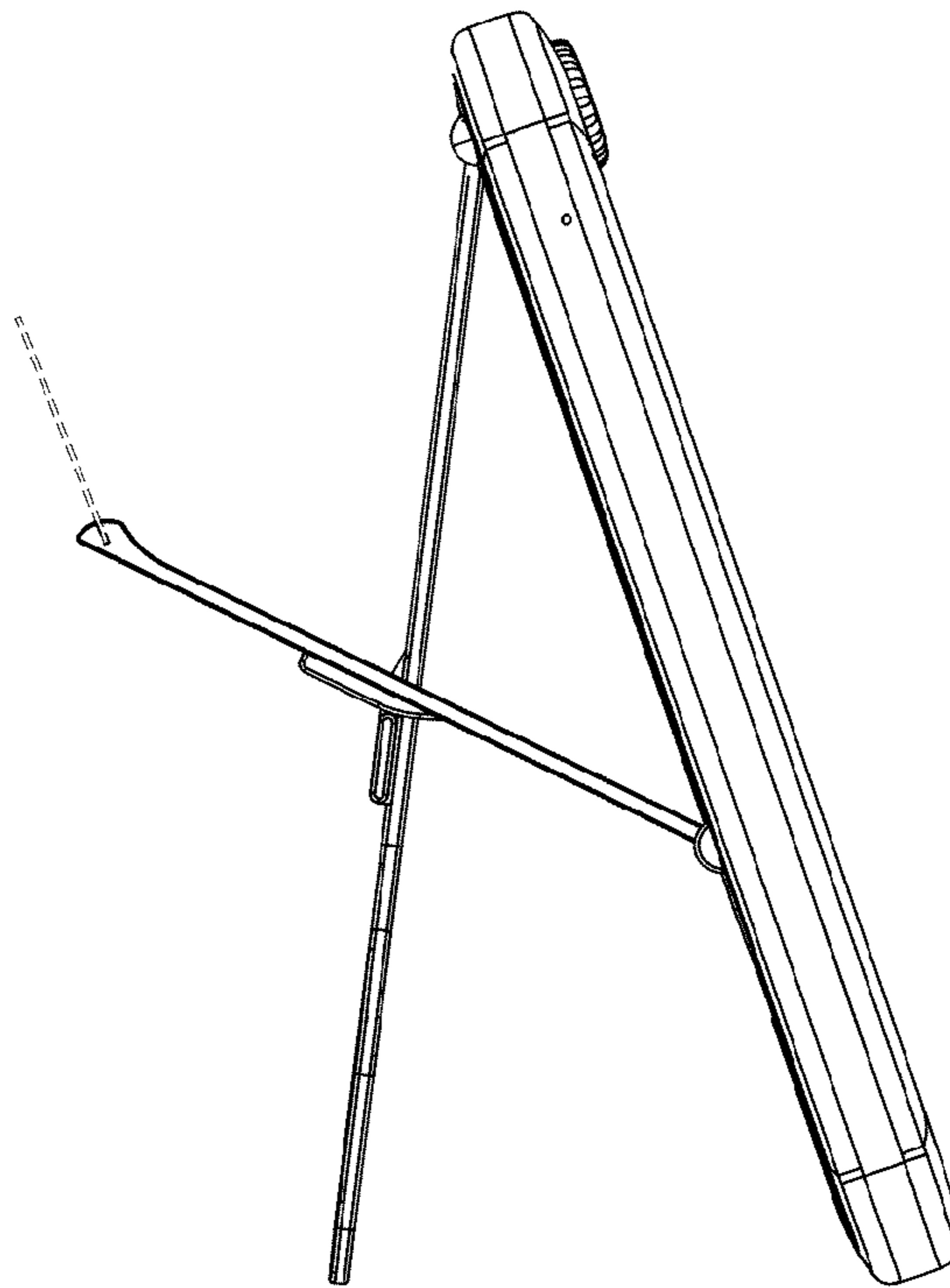


FIG - 14

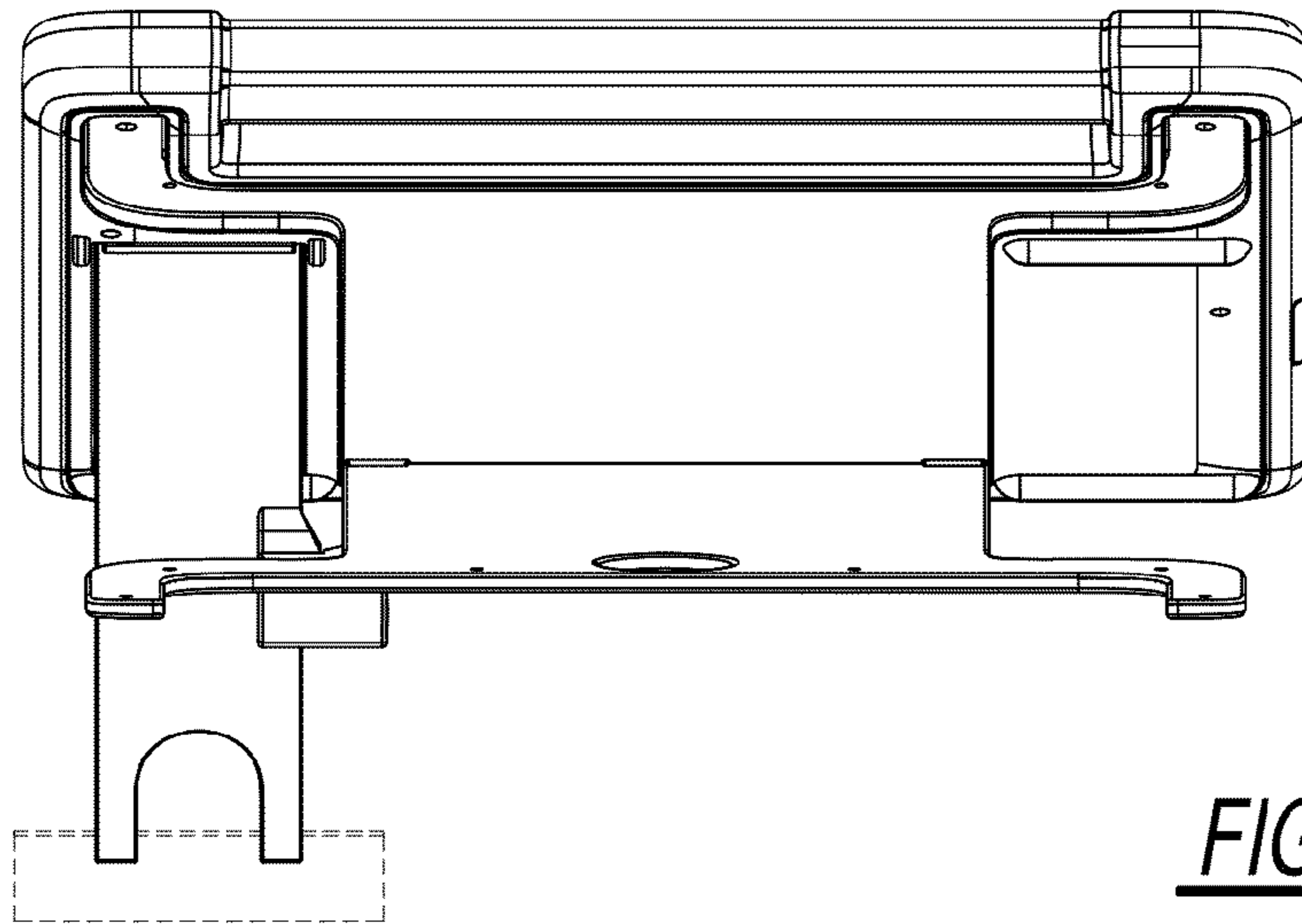


FIG - 15

FIG - 16

