



US00D712410S

(12) **United States Design Patent**
Shu

(10) **Patent No.:** **US D712,410 S**
(45) **Date of Patent:** **** Sep. 2, 2014**

(54) **STYLUS PEN**

(71) Applicant: **UFRO Limited**, Taipei (TW)

(72) Inventor: **Jeremy-Pyu Shu**, Taipei (TW)

(73) Assignee: **UFRO Limited**, Taipei (TW)

(**) Term: **14 Years**

(21) Appl. No.: **29/491,405**

(22) Filed: **May 20, 2014**

(51) **LOC (10) Cl.** **14-02**

(52) **U.S. Cl.**
USPC **D14/411**

(58) **Field of Classification Search**
CPC G06F 3/016; G06F 3/033; G06F 3/0317;
G06F 3/03545; G06F 3/041; G06K 9/222
USPC D14/411; D19/35, 36, 41-51, 54-58;
401/55, 99, 100, 104-107, 196, 197,
401/202, 208, 209, 213, 192, 195, 243;
708/107; 345/179, 173; 178/19.01;
700/94

See application file for complete search history.

(56) **References Cited**

U.S. PATENT DOCUMENTS

2,848,561 A * 8/1958 Gorike 381/357
D451,146 S * 11/2001 Burton et al. D20/10

D479,824 S * 9/2003 Arkin et al. D13/144
6,767,256 B1 * 7/2004 Faerber et al. 439/668
D516,533 S * 3/2006 Cohen et al. D14/155
D536,968 S * 2/2007 Keller D9/439
D570,773 S * 6/2008 Lloyd et al. D13/110
D629,795 S * 12/2010 Wubker et al. D14/228
D655,706 S * 3/2012 Jordan et al. D14/411
D686,211 S * 7/2013 Lin D14/411

* cited by examiner

Primary Examiner — Austin Murphy

(74) *Attorney, Agent, or Firm* — PAI Patent & Trademark Law Firm; Chao-Chang David Pai

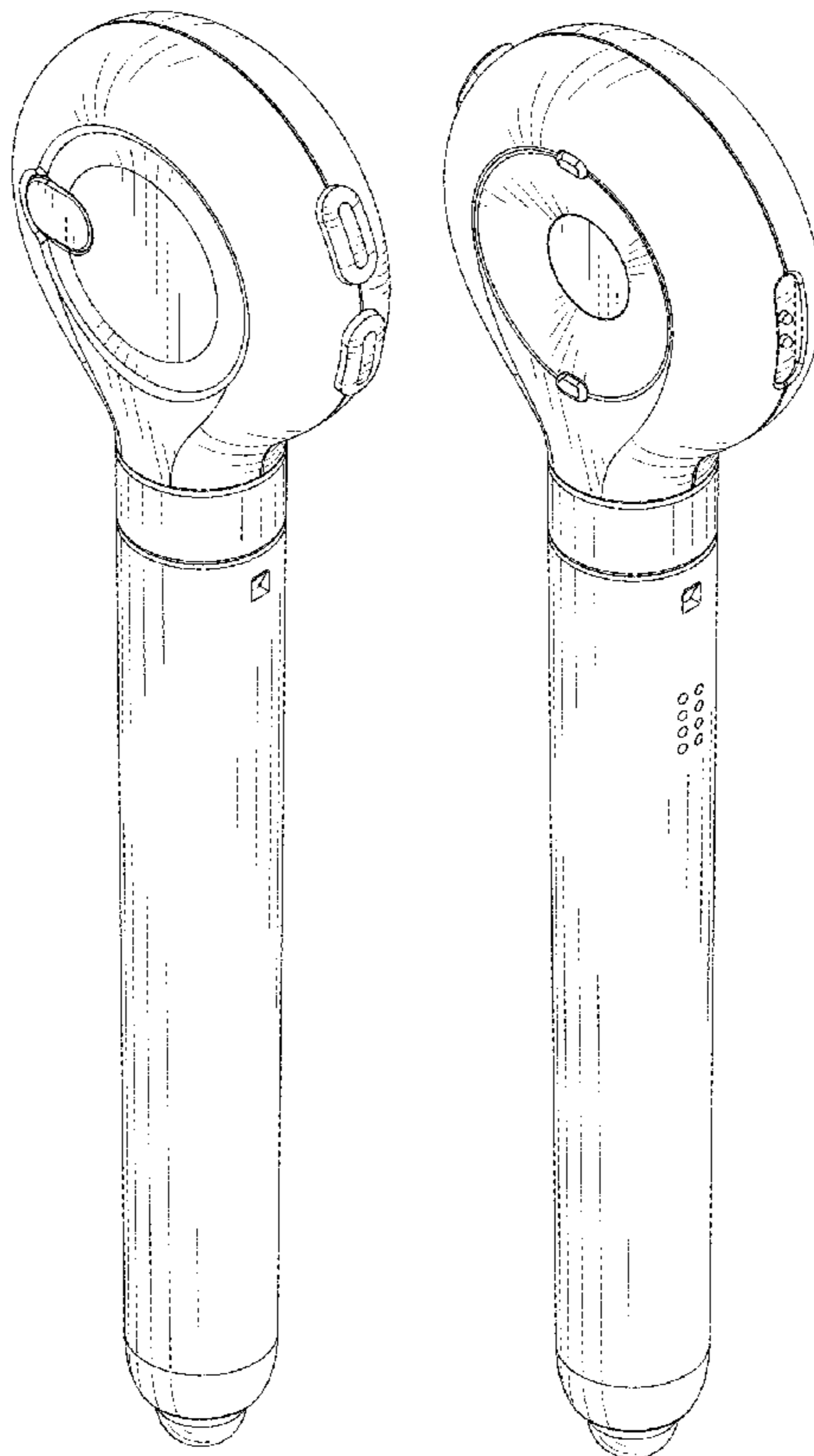
(57) **CLAIM**

The ornamental design for a stylus pen, as shown.

DESCRIPTION

FIG. 1 is a right side front perspective view of a stylus pen, showing my new design;
FIG. 2 is a front elevational view thereof;
FIG. 3 is a rear elevational view thereof;
FIG. 4 is a left side elevational view thereof;
FIG. 5 is a right side elevational view thereof;
FIG. 6 is a top plan view thereof;
FIG. 7 is a bottom plan view thereof; and,
FIG. 8 is a rear perspective view thereof.

1 Claim, 6 Drawing Sheets



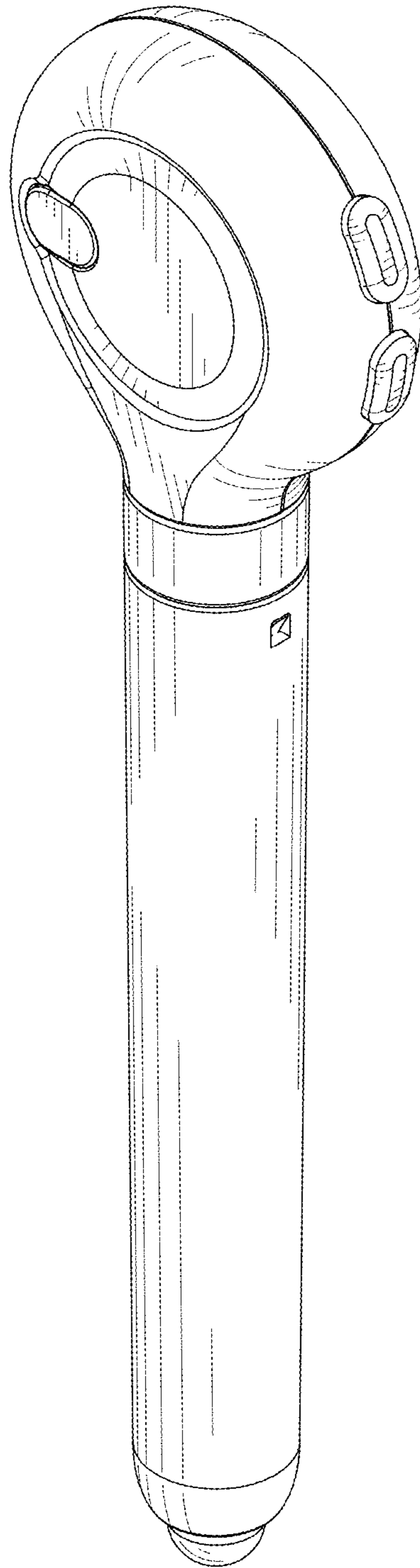


FIG. 1

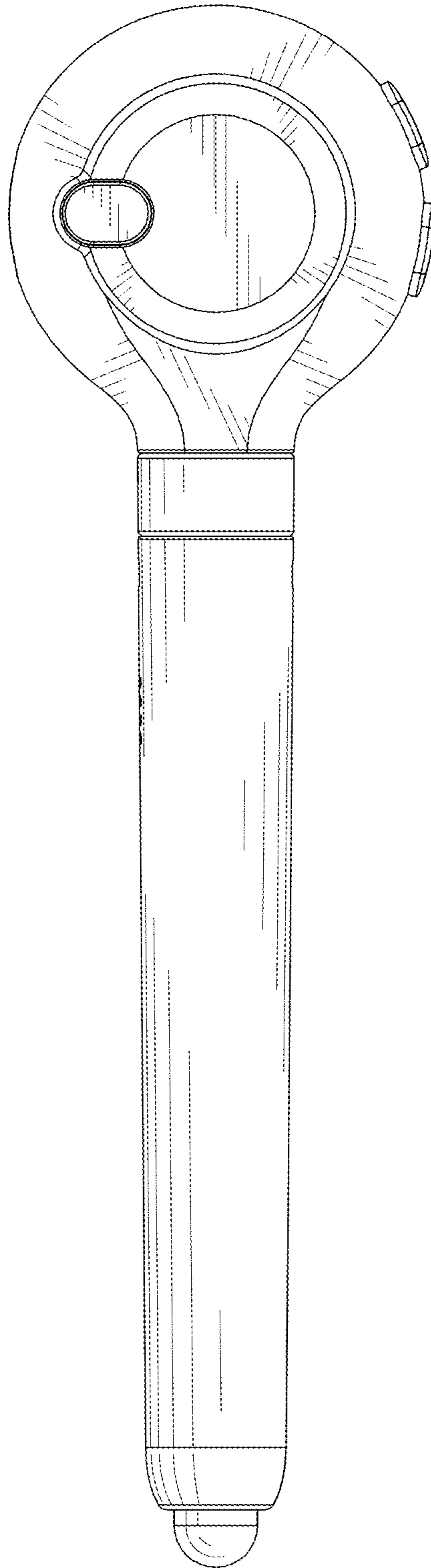


FIG. 2

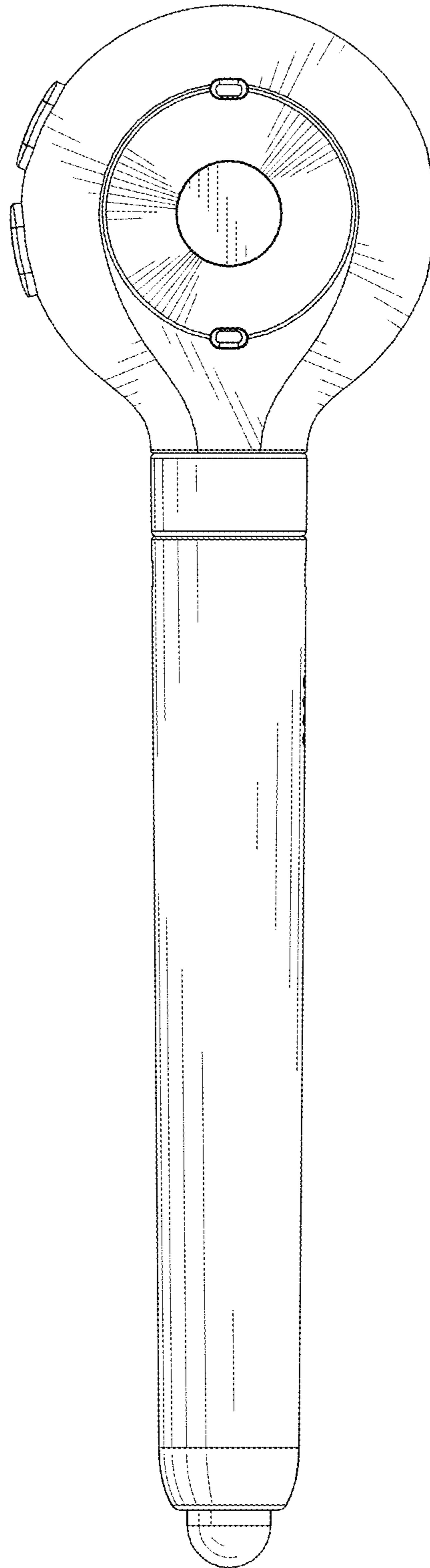


FIG. 3

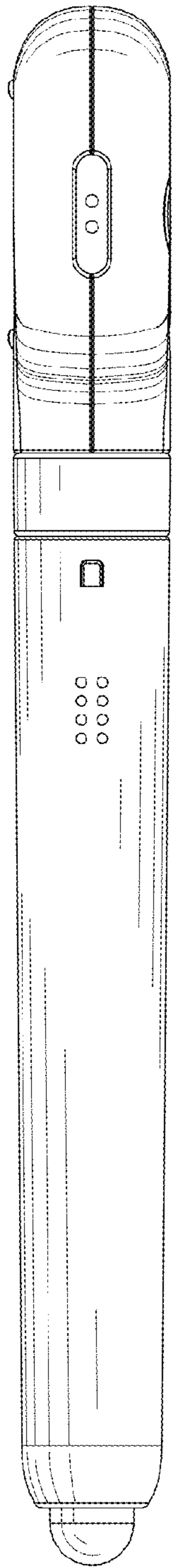


FIG. 4

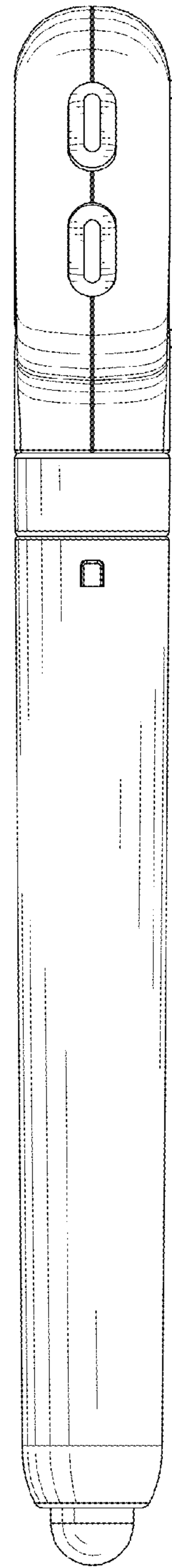


FIG. 5

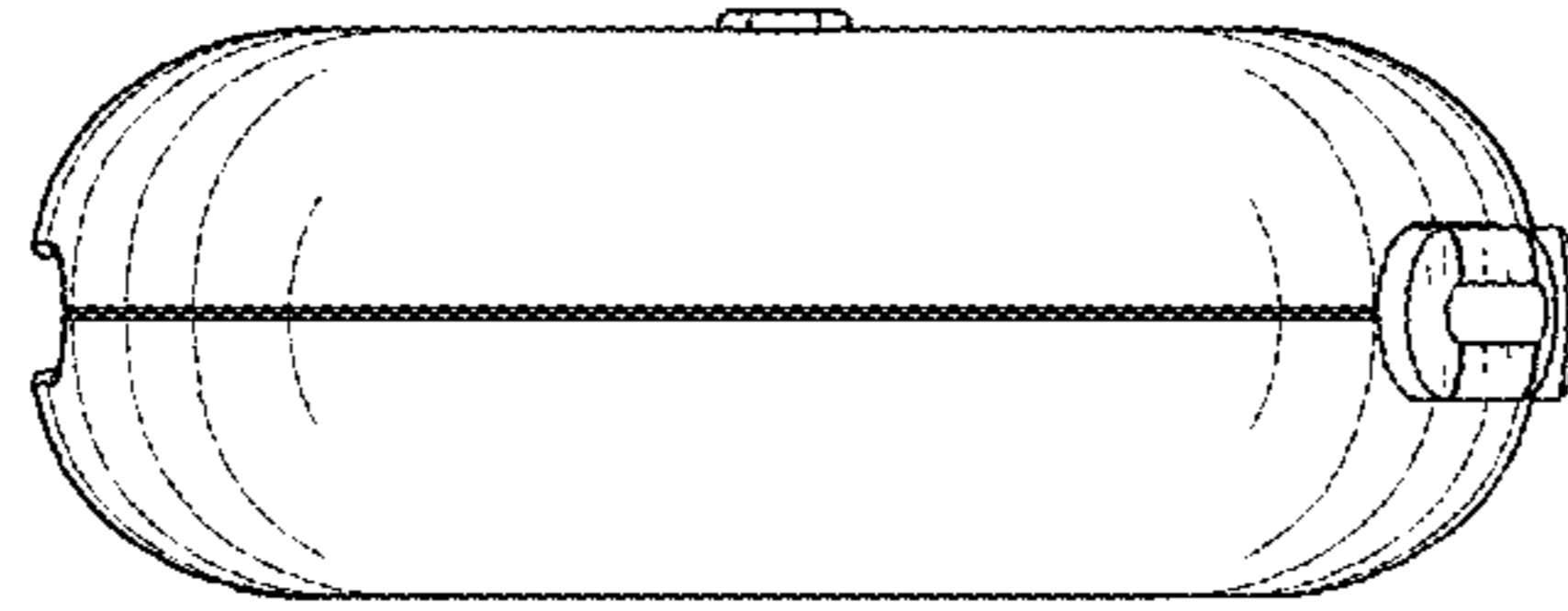


FIG. 6

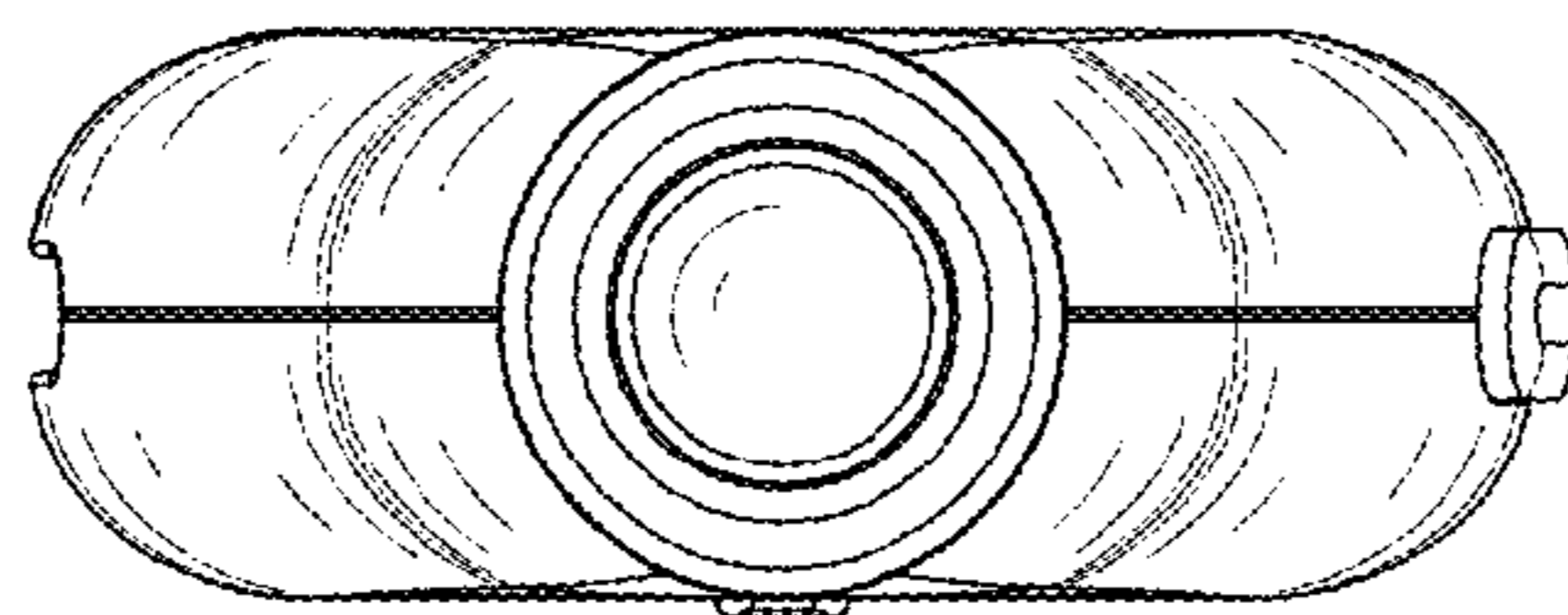


FIG. 7

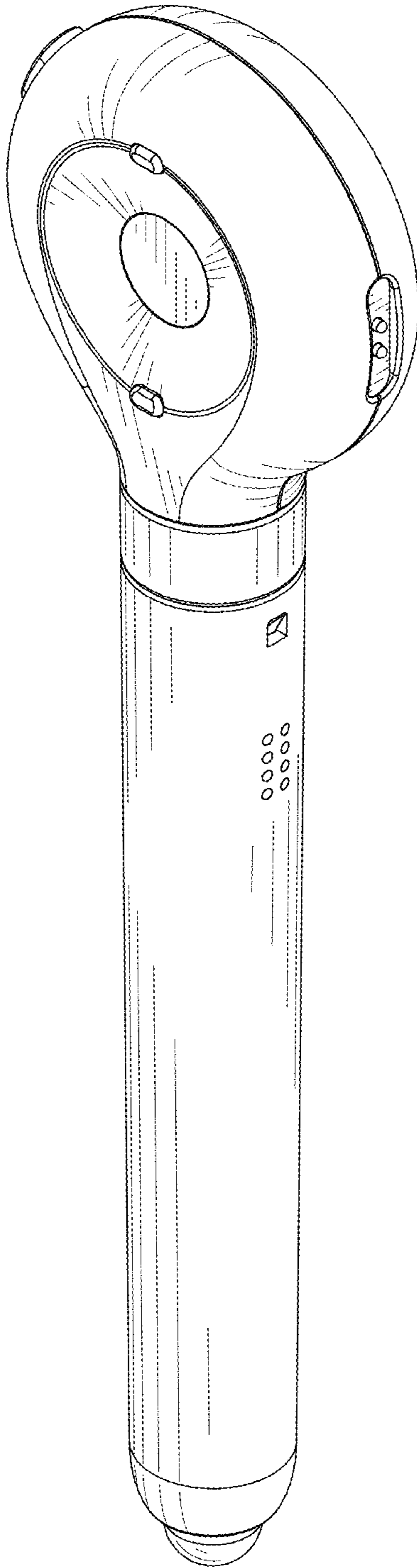


FIG. 8