



US00D712408S

(12) **United States Design Patent**
Sumii et al.

(10) **Patent No.:** **US D712,408 S**
(45) **Date of Patent:** **** Sep. 2, 2014**

(54) **CONTROLLER FOR ELECTRONIC DEVICE**

(71) Applicant: **Sony Computer Entertainment, Inc.,**
Tokyo (JP)

(72) Inventors: **Tetsu Sumii, Tokyo (JP); Ennin Huang,**
Tokyo (JP)

(73) Assignee: **Sony Computer Entertainment Inc.,**
Tokyo (JP)

(**) Term: **14 Years**

(21) Appl. No.: **29/453,892**

(22) Filed: **May 3, 2013**

(30) **Foreign Application Priority Data**

Feb. 19, 2013 (JP) D2012-003271

(51) **LOC (10) Cl.** **14-03**

(52) **U.S. Cl.**
USPC **D14/401; D21/333**

(58) **Field of Classification Search**
CPC A63F 13/00; A63F 13/02; A63F 13/06;
A63F 9/24; A63F 13/12; A63F 9/00; A63F
11/00; A63F 71/00; G06F 3/02; G06F 3/033
USPC D14/399-401, 412-416; D21/324, 333;
273/148 B; 463/1, 29-39, 46, 47;
345/156-161, 905

See application file for complete search history.

(56) **References Cited**

U.S. PATENT DOCUMENTS

5,551,693 A 9/1996 Goto et al.
D376,826 S * 12/1996 Ashida D14/401
D382,603 S 8/1997 Goto
D393,885 S 4/1998 Goto
D397,164 S 8/1998 Goto
D398,032 S 9/1998 Goto

D402,317 S 12/1998 Goto
D405,835 S 2/1999 Goto
D416,588 S 11/1999 Goto
D417,664 S * 12/1999 Goto D14/401
D420,660 S * 2/2000 Chen D14/401
D424,047 S * 5/2000 Chan D14/401
D430,222 S 8/2000 Goto
D430,223 S 8/2000 Goto

(Continued)

FOREIGN PATENT DOCUMENTS

EM 001950148-0002 S 11/2011
GB 3008008 S 10/2002

OTHER PUBLICATIONS

Office Action issued in Russian Design Application No. 2013501635,
dated Feb. 3, 2014.

(Continued)

Primary Examiner — Prabhakar Deshmukh

(74) *Attorney, Agent, or Firm* — Rader, Fishman & Grauer
PLLC

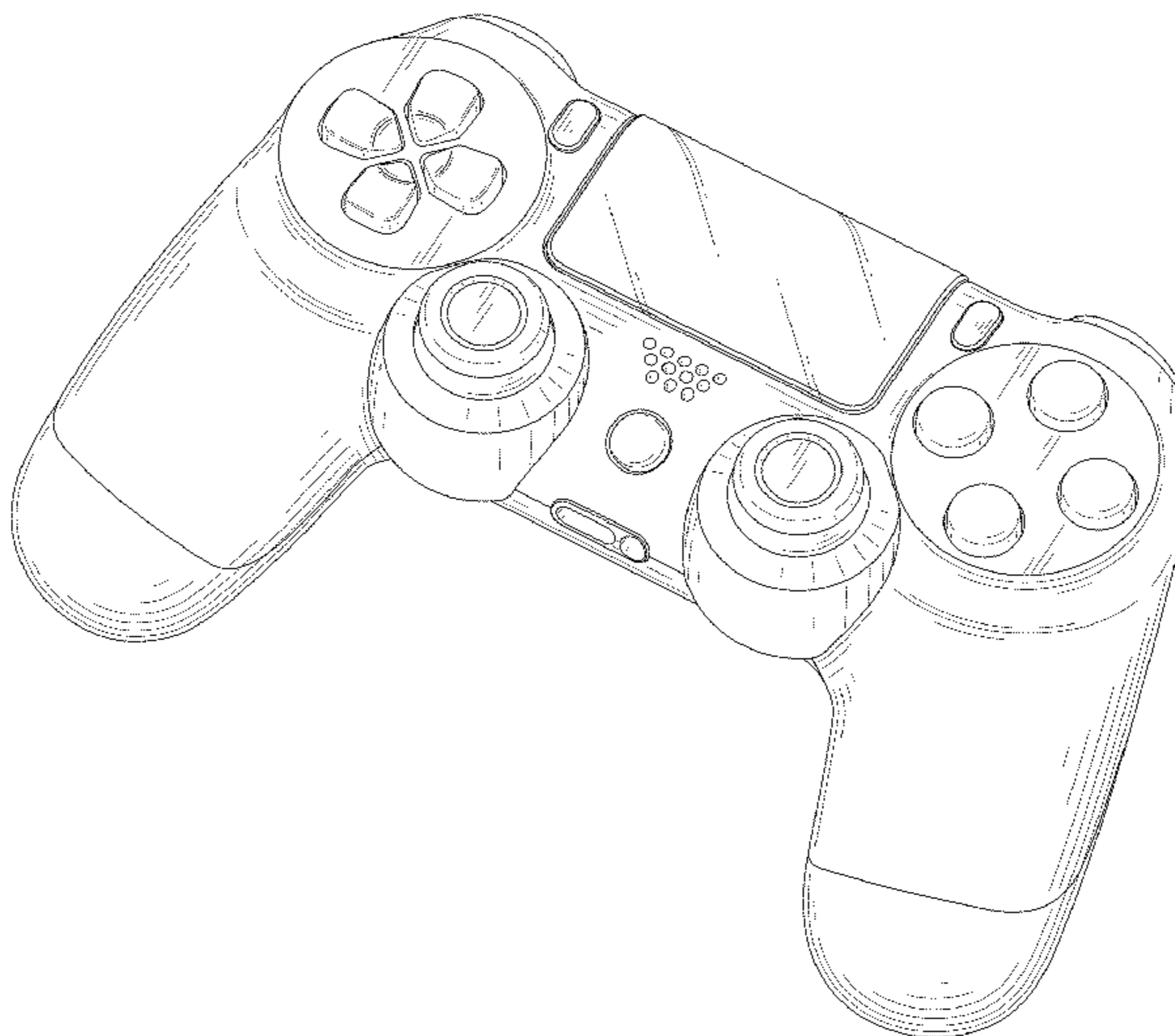
(57) **CLAIM**

The ornamental design for a controller for an electronic
device, as shown.

DESCRIPTION

FIG. 1 is a front, bottom, right perspective view of the con-
troller for electronic device showing our new design;
FIG. 2 is a rear, top, left perspective view thereof;
FIG. 3 is a front, top, left perspective view thereof;
FIG. 4 is a front elevational view thereof;
FIG. 5 is a rear elevational view thereof;
FIG. 6 is a left side elevational view thereof;
FIG. 7 is a right side elevational view thereof;
FIG. 8 is a top plan view thereof; and,
FIG. 9 is a bottom plan view thereof.

1 Claim, 6 Drawing Sheets



(56)

References Cited

U.S. PATENT DOCUMENTS

D431,051 S 9/2000 Goto
D439,580 S 3/2001 Goto
D441,369 S 5/2001 Goto
D442,180 S 5/2001 Goto
6,231,444 B1 * 5/2001 Goto et al. 463/37
D443,617 S 6/2001 Goto
D443,618 S 6/2001 Goto
D443,877 S 6/2001 Goto
D444,469 S 7/2001 Goto
D444,470 S 7/2001 Goto
7,235,012 B2 * 6/2007 DiDato 463/38
7,314,413 B2 * 1/2008 Ogata et al. 463/37
D561,190 S 2/2008 Goto

D585,931 S * 2/2009 Palmer D18/7
D608,784 S * 1/2010 Biheller D14/401
D620,939 S * 8/2010 Suetake et al. D14/401
8,206,220 B2 * 6/2012 Young et al. 463/37
D685,434 S * 7/2013 Ali et al. D21/333
8,628,085 B2 * 1/2014 Sternberg 273/148 B

OTHER PUBLICATIONS

Notice of Preliminary Rejection issued in Korean Application No.
30-2013-0023874, dated Feb. 11, 2014.
Website, "Dialog GPM24 Black"; http://www.elhaus.ru/gameplay_/dialog_/DIALOG_GPM24_BLACK.html, retrieved Jan. 30, 2014,
4 pages.

* cited by examiner

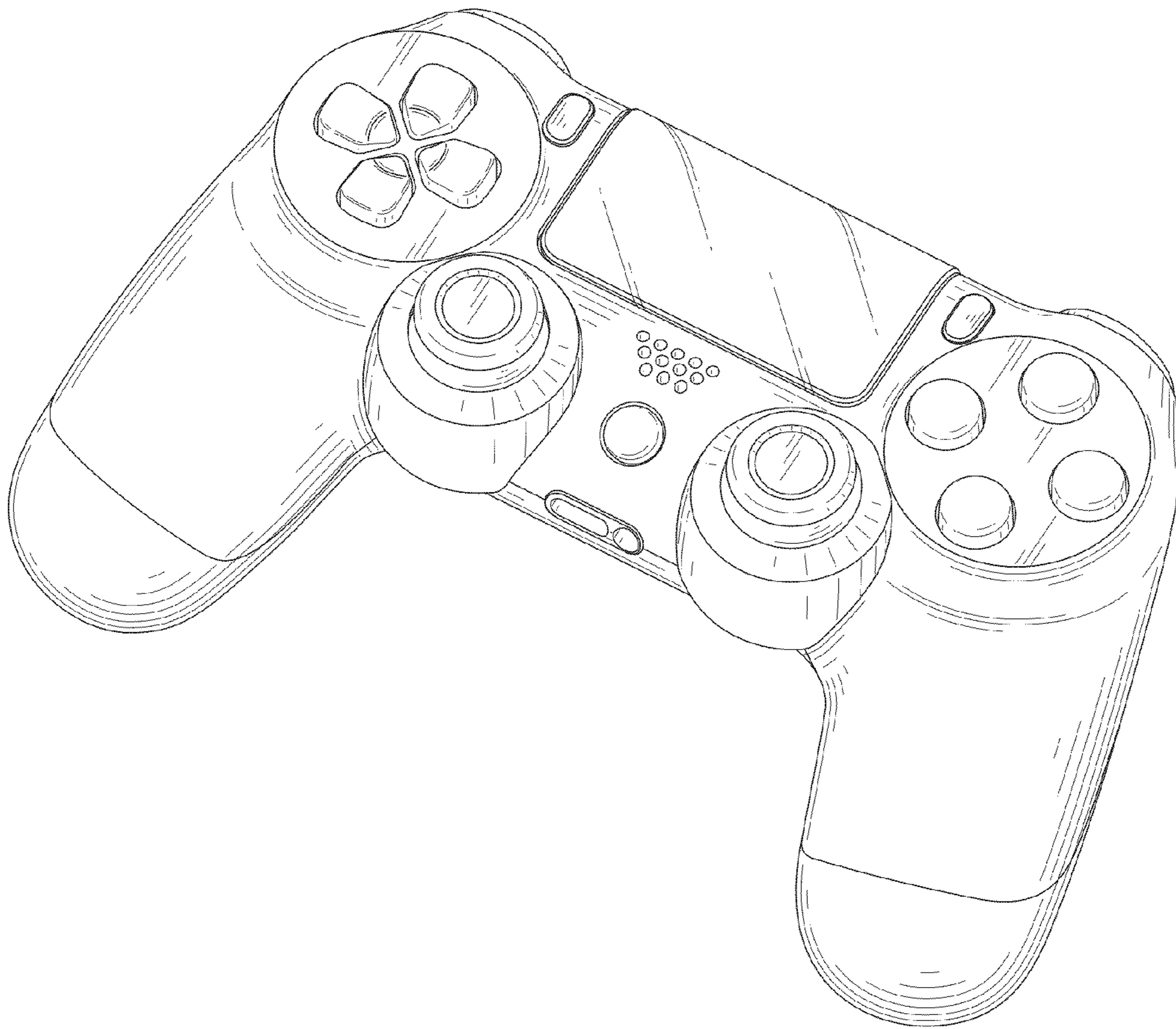


FIG. 1

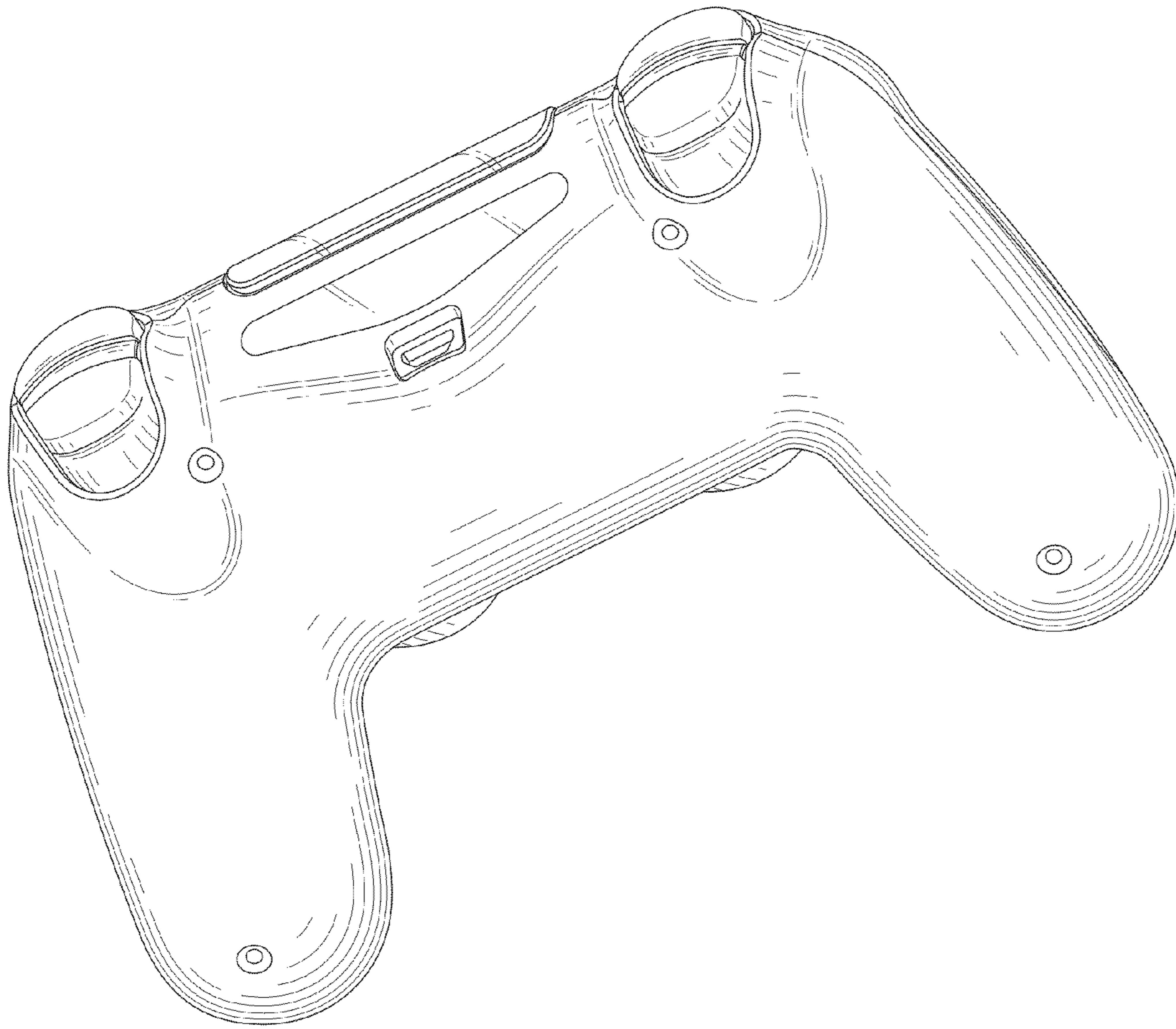


FIG. 2

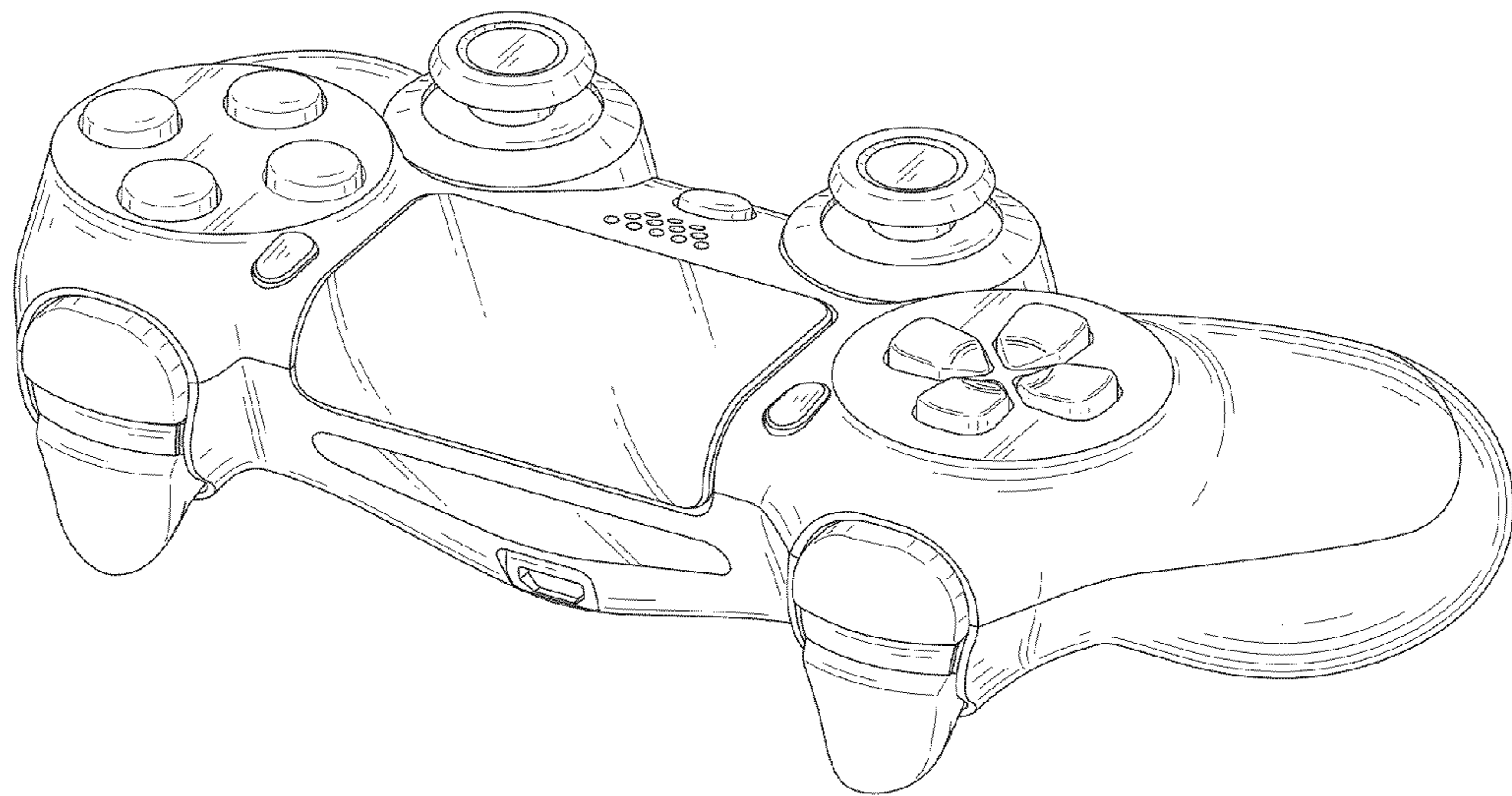


FIG. 3

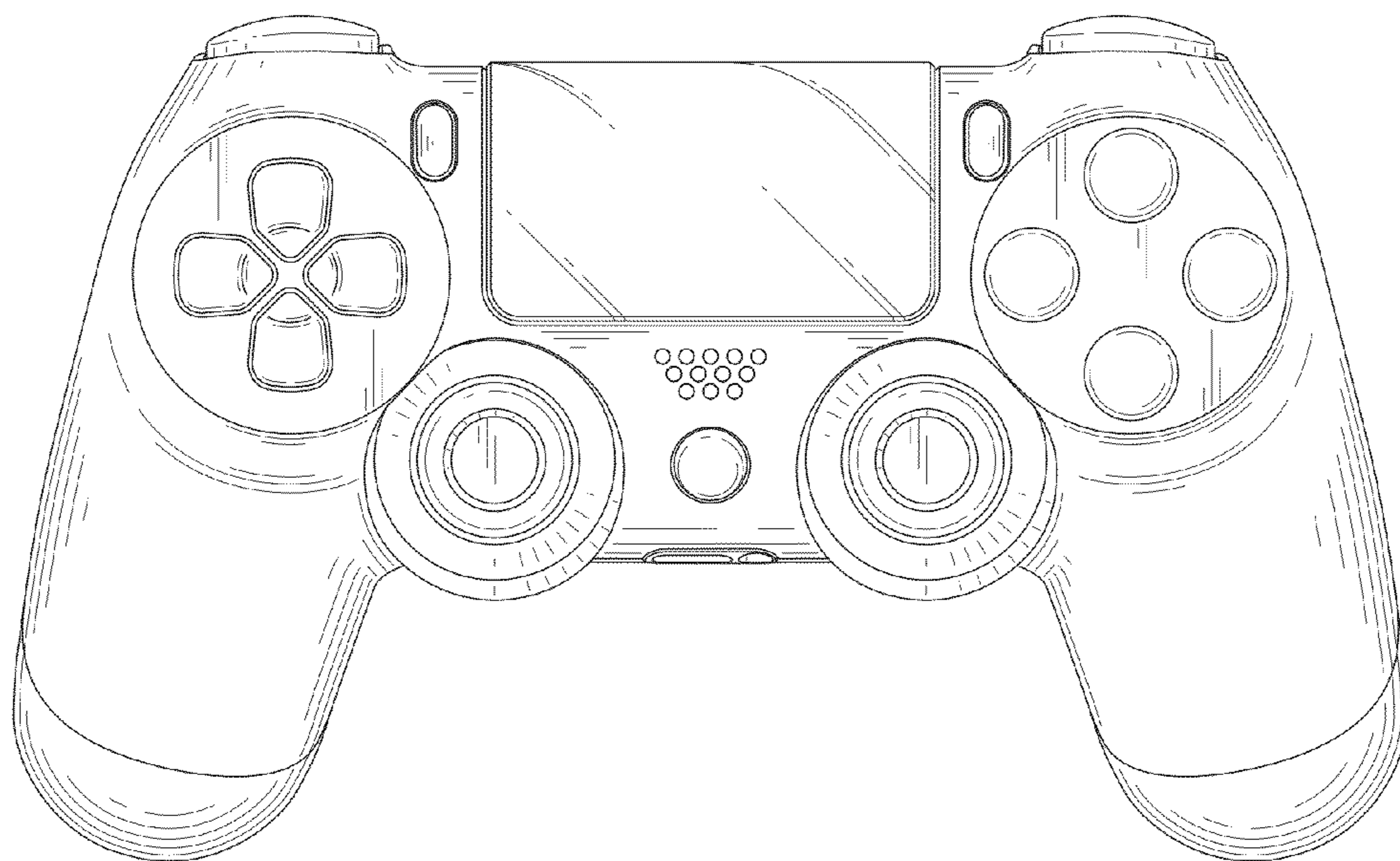


FIG. 4

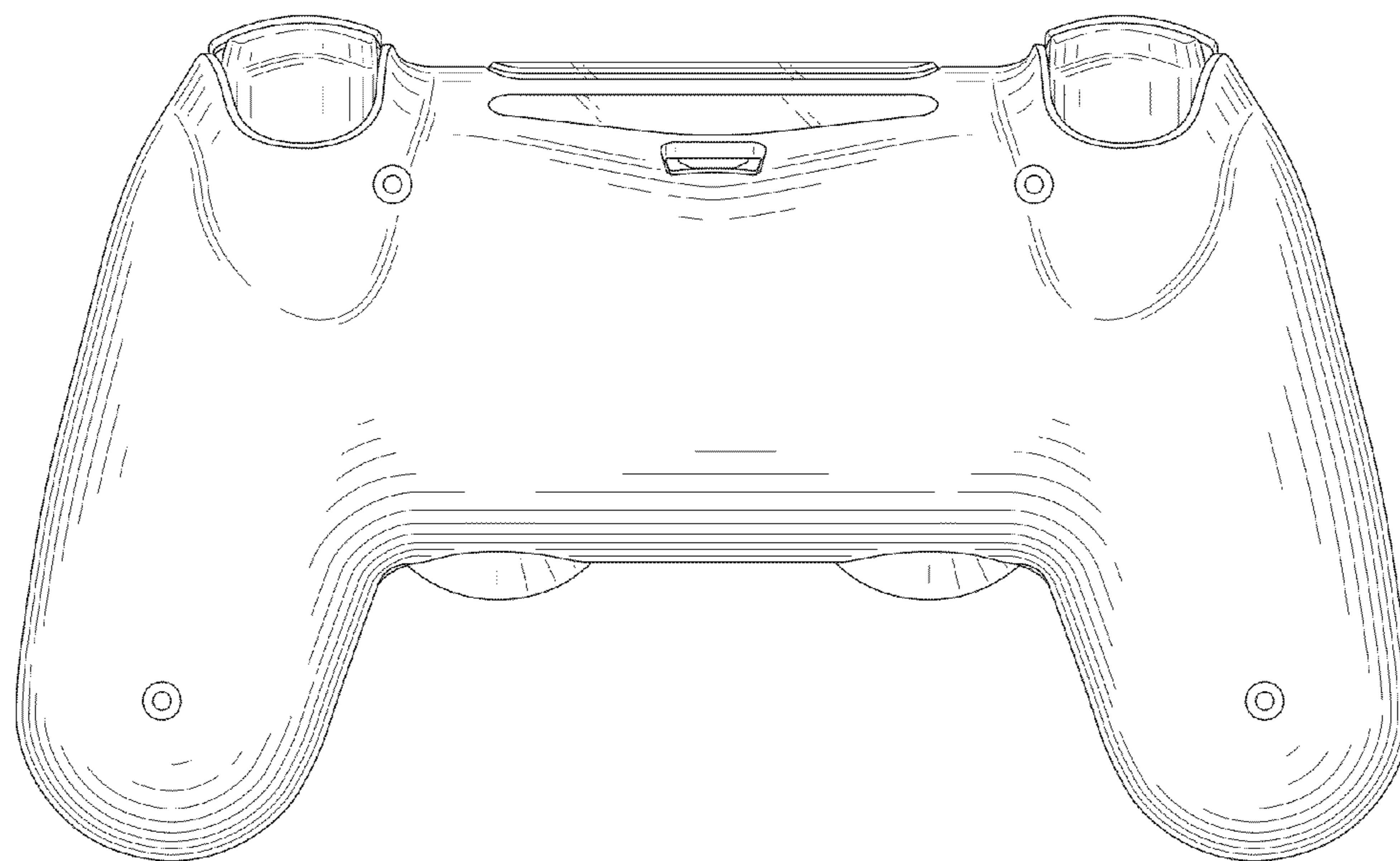


FIG. 5

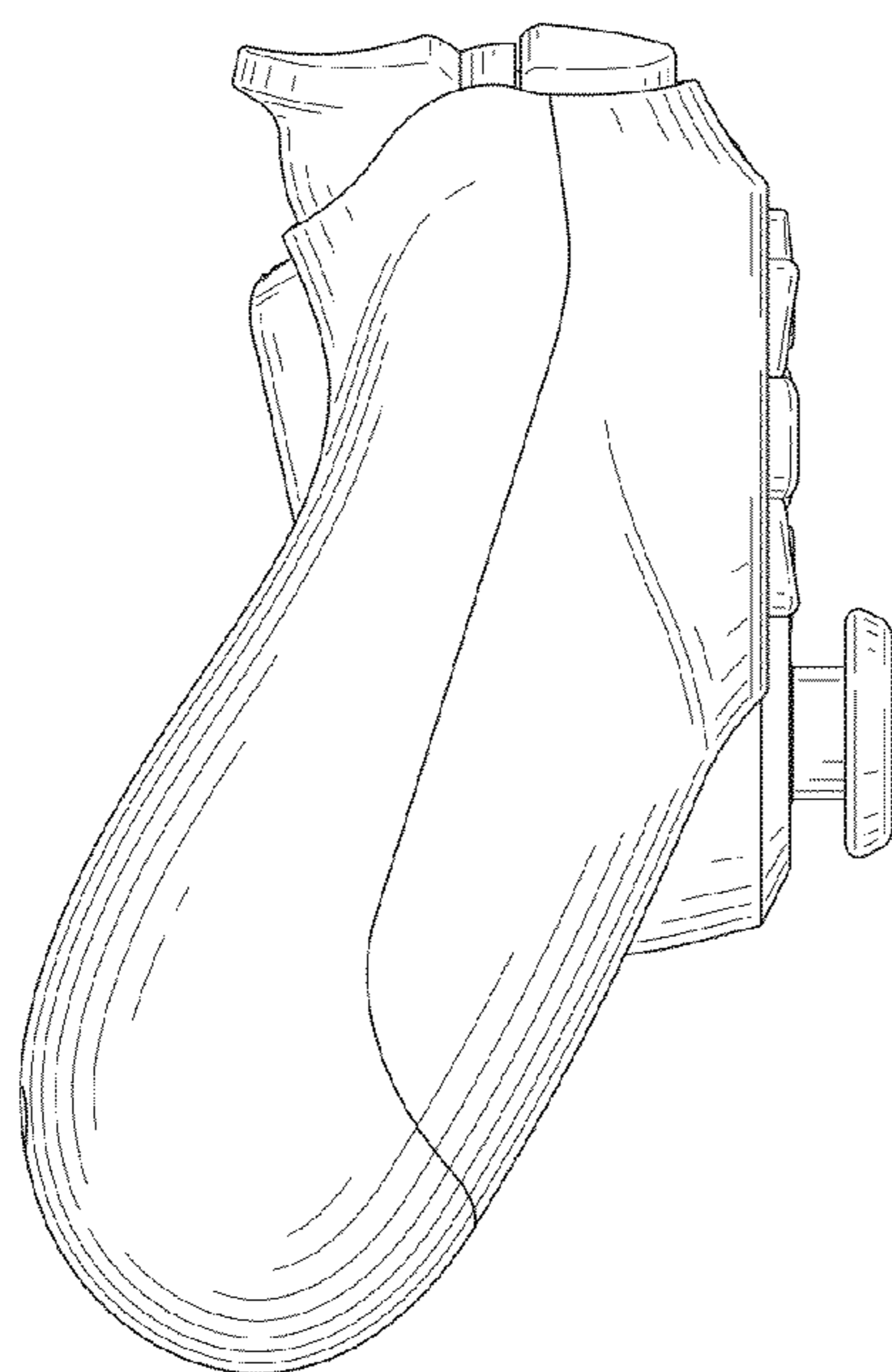


FIG. 6

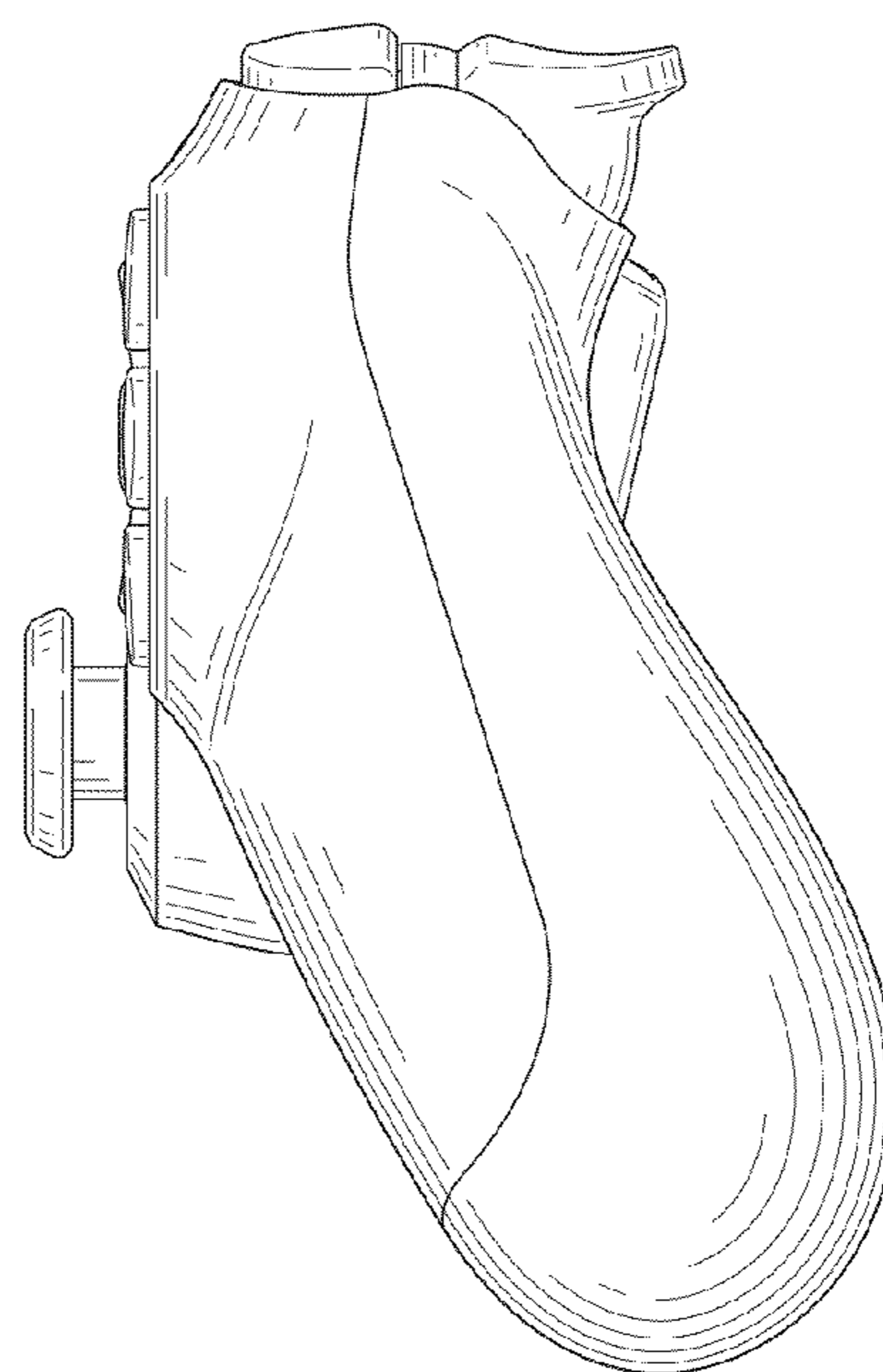


FIG. 7

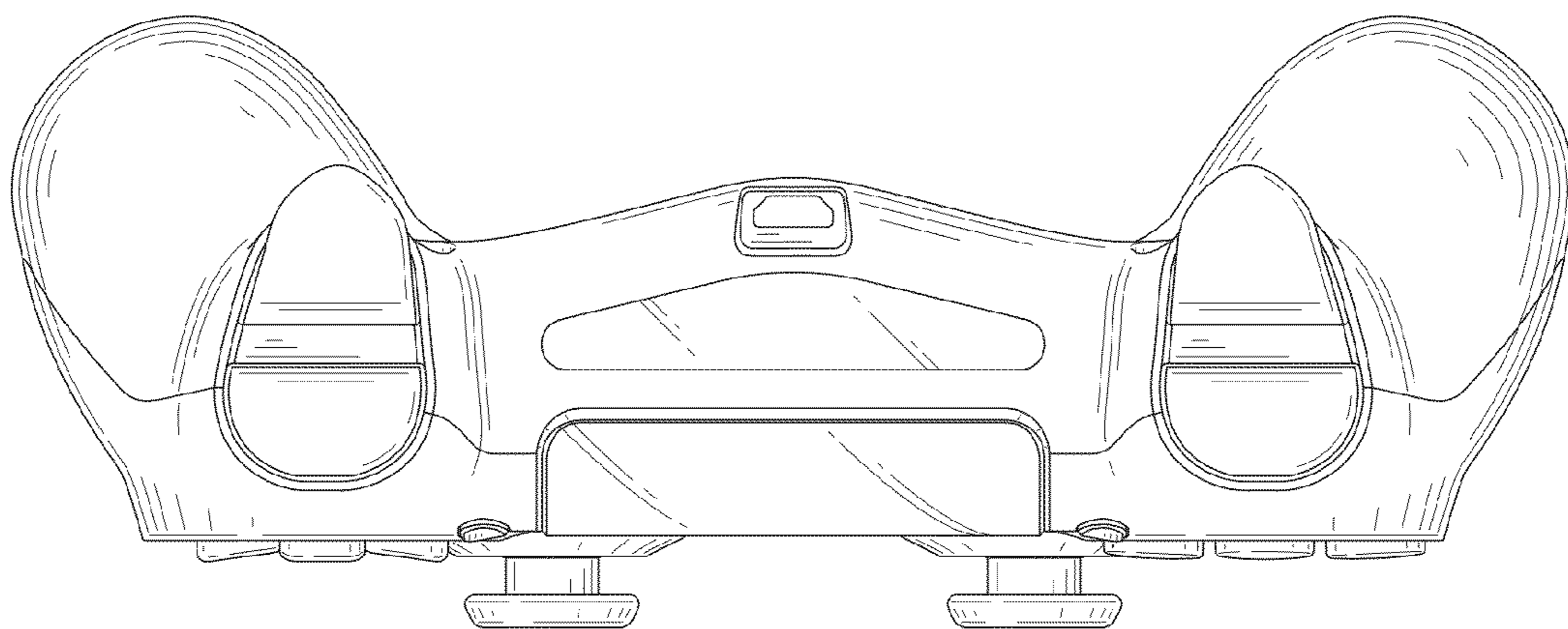


FIG. 8

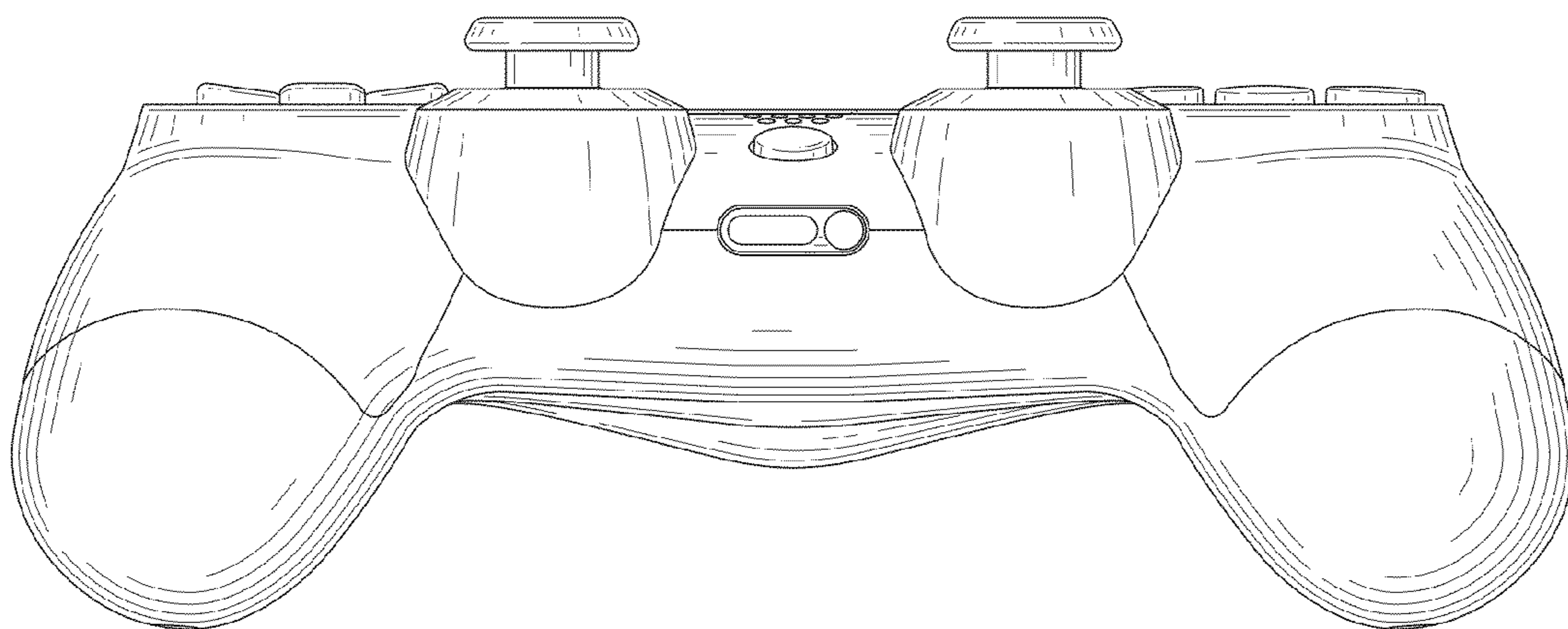


FIG. 9

UNITED STATES PATENT AND TRADEMARK OFFICE
CERTIFICATE OF CORRECTION

PATENT NO. : D712,408 S
APPLICATION NO. : 29/453892
DATED : September 2, 2014
INVENTOR(S) : Sumii et al.

Page 1 of 1

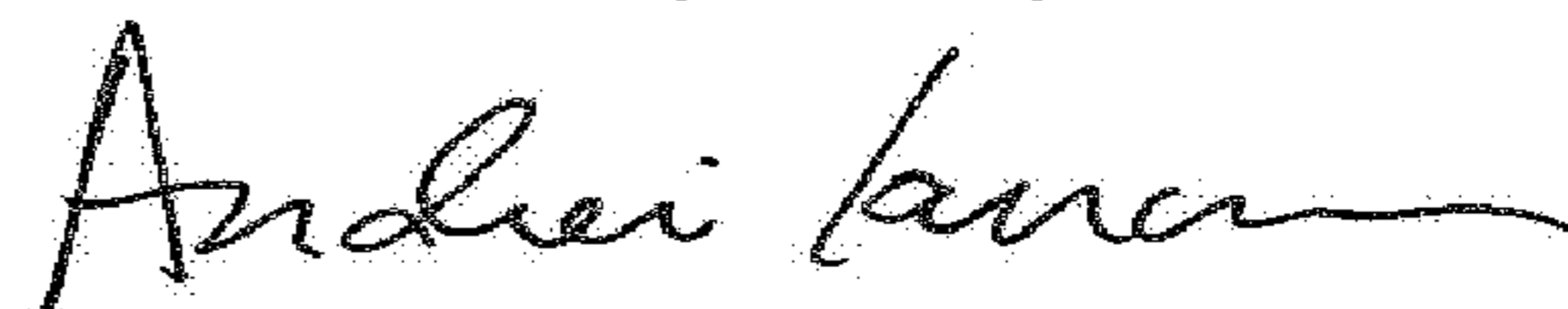
It is certified that error appears in the above-identified patent and that said Letters Patent is hereby corrected as shown below:

On the Title Page

At (30):

Please replace "D2012-003271" with --D2013-003271--

Signed and Sealed this
Tenth Day of July, 2018



Andrei Iancu
Director of the United States Patent and Trademark Office