



US00D712406S

(12) **United States Design Patent**
Tseng et al.

(10) **Patent No.:** **US D712,406 S**
(45) **Date of Patent:** **** Sep. 2, 2014**

(54) **ELECTRONIC DEVICE**

(71) Applicant: **Synergy Optoelectronics (Shenzhen) Co., Ltd.**, Shenzhen (CN)

(72) Inventors: **Chien-Yu Tseng**, Hsinchu (TW);
Xing-Xing Yang, Shenzhen (CN);
Zhi-Hong Zhu, Shenzhen (CN)

(73) Assignee: **Synergy Optoelectronics (Shenzhen) Co., Ltd.**, Shenzhen (CN)

(**) Term: **14 Years**

(21) Appl. No.: **29/444,171**

(22) Filed: **Jan. 28, 2013**

(30) **Foreign Application Priority Data**

Aug. 4, 2012 (CN) 2012 0 363650

(51) **LOC (10) Cl.** **14-02**

(52) **U.S. Cl.**
USPC **D14/374**

(58) **Field of Classification Search**
USPC D14/371-375, 125-129, 336, 337;
341/12; 345/104, 156, 168, 173;
348/180, 184, 325, 739; 349/1, 2, 11,
349/62; 361/679.05-679.07, 679.21;
D6/300, 308

See application file for complete search history.

(56) **References Cited**

U.S. PATENT DOCUMENTS

D544,861 S *	6/2007	Hwang	D14/375
D551,186 S *	9/2007	Yang et al.	D14/126
D595,295 S *	6/2009	Shim	D14/374
D620,934 S *	8/2010	Chang et al.	D14/374
2004/0217244 A1 *	11/2004	Wu et al.	248/278.1

* cited by examiner

Primary Examiner — Freda S Nunn

(74) *Attorney, Agent, or Firm* — Novak Druce Connolly Bove + Quigg LLP

(57) **CLAIM**

The ornamental design for an electronic device, as shown and described.

DESCRIPTION

FIG. 1 is a perspective view of an electronic device showing our new design, the electronic device includes a transparent front cover, and three transparent sidewalls and non-transparent sidewall;

FIG. 2 is a front elevational view thereof;

FIG. 3 is a rear elevational view thereof;

FIG. 4 is a left side elevational view thereof showing a non-transparent sidewall;

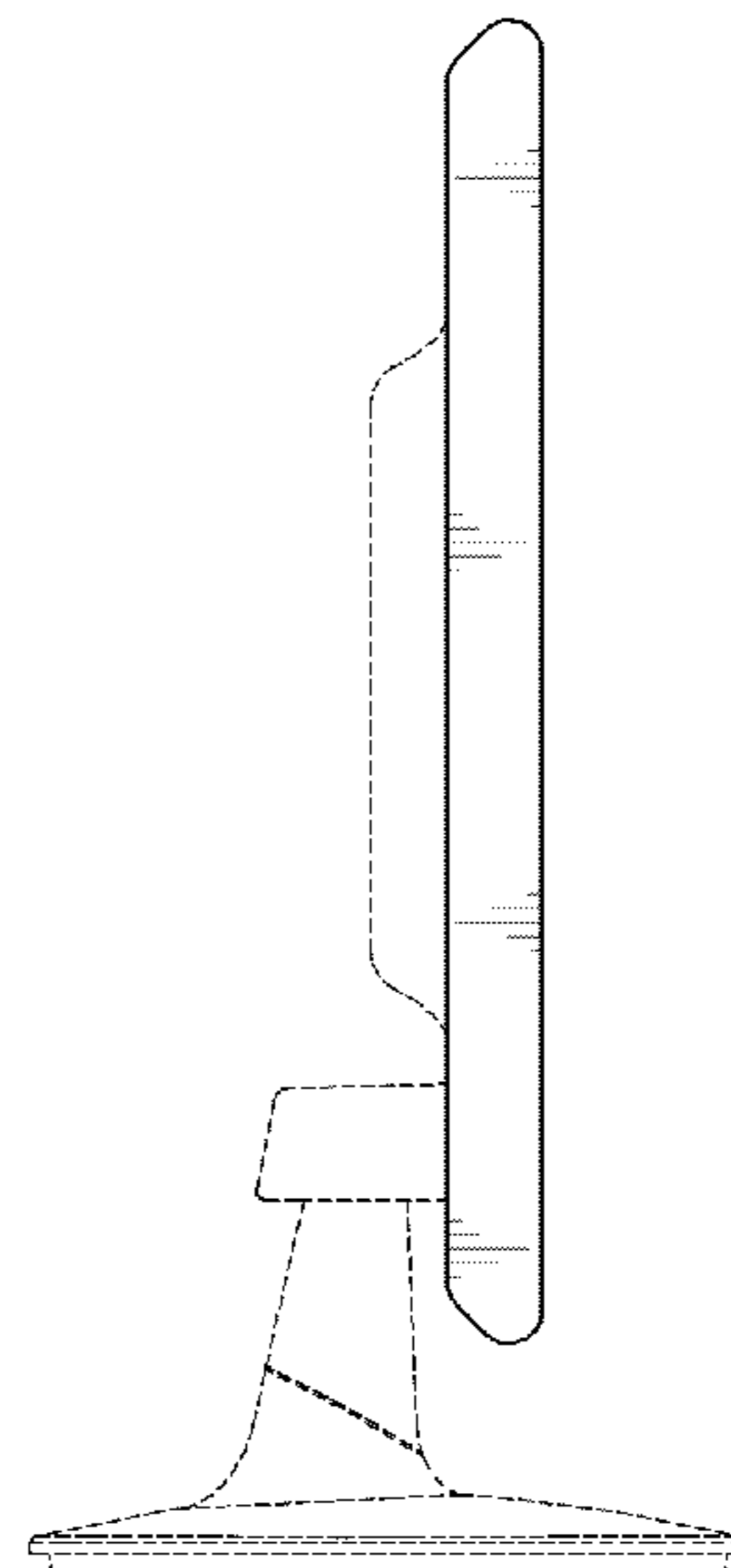
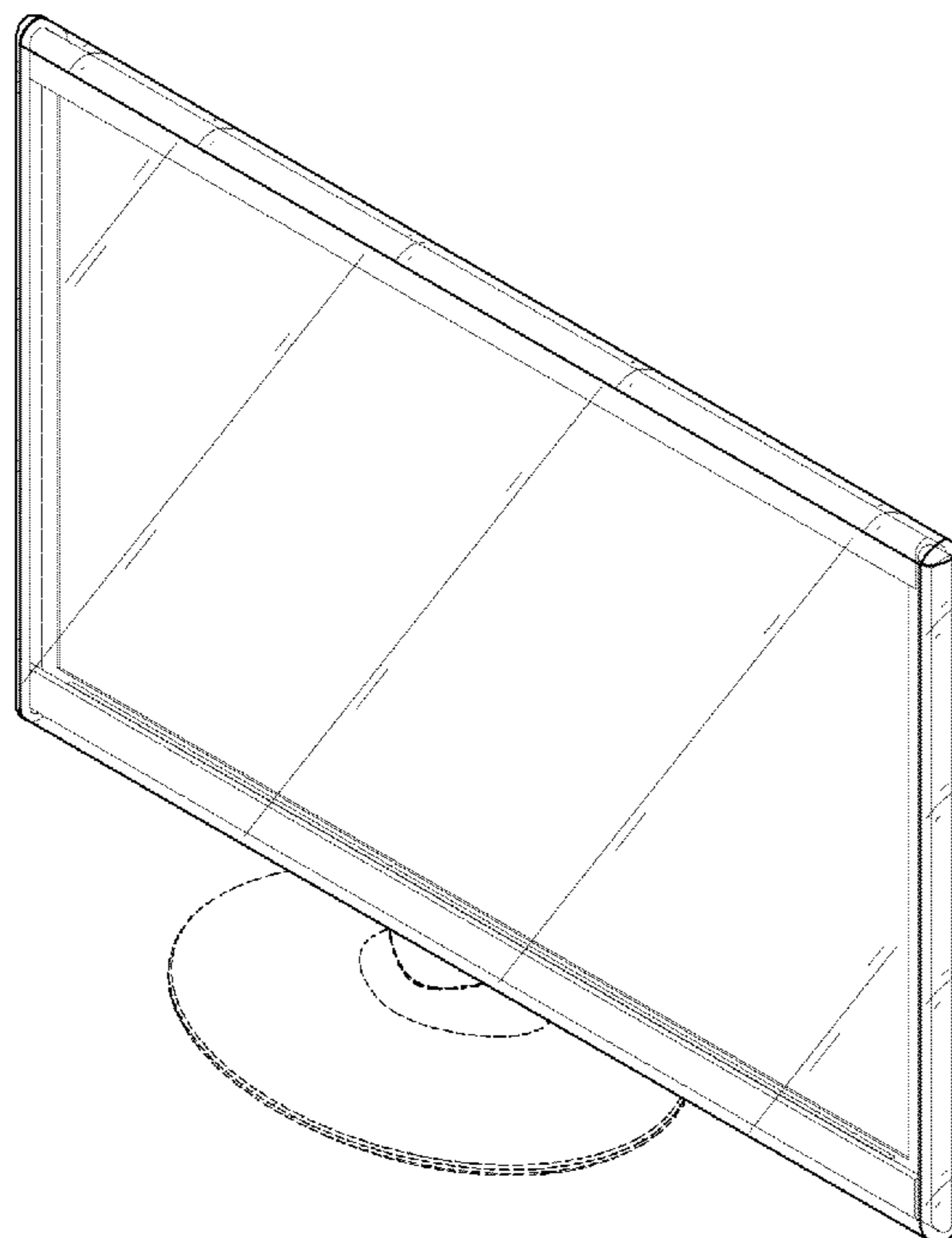
FIG. 5 is a right side elevational view thereof showing a transparent sidewall;

FIG. 6 is a top plan view thereof; and,

FIG. 7 is a bottom plan view thereof.

The broken lines of all the figures are for the purpose of illustrating environment and form no part of the claimed dign.

1 Claim, 7 Drawing Sheets



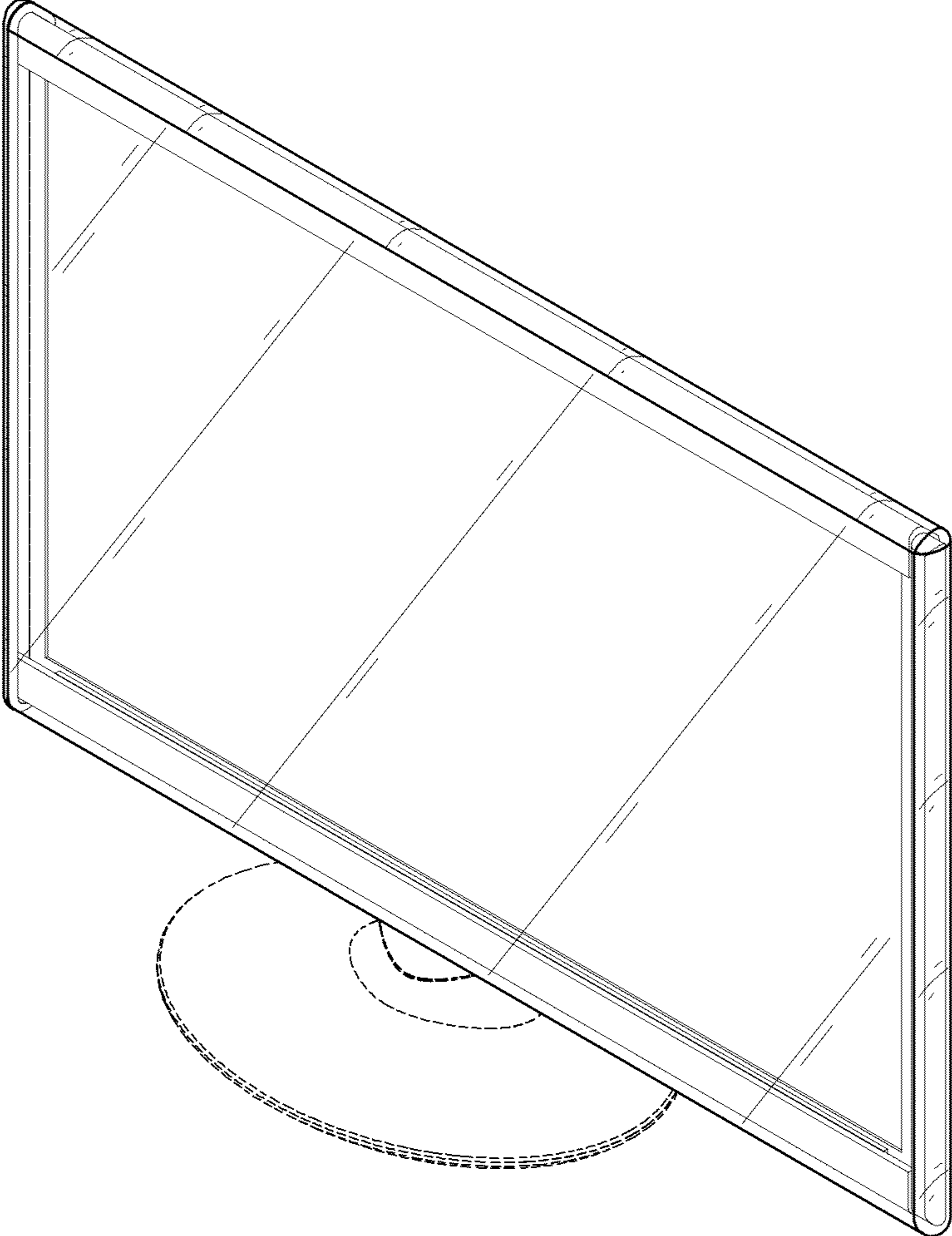


FIG. 1

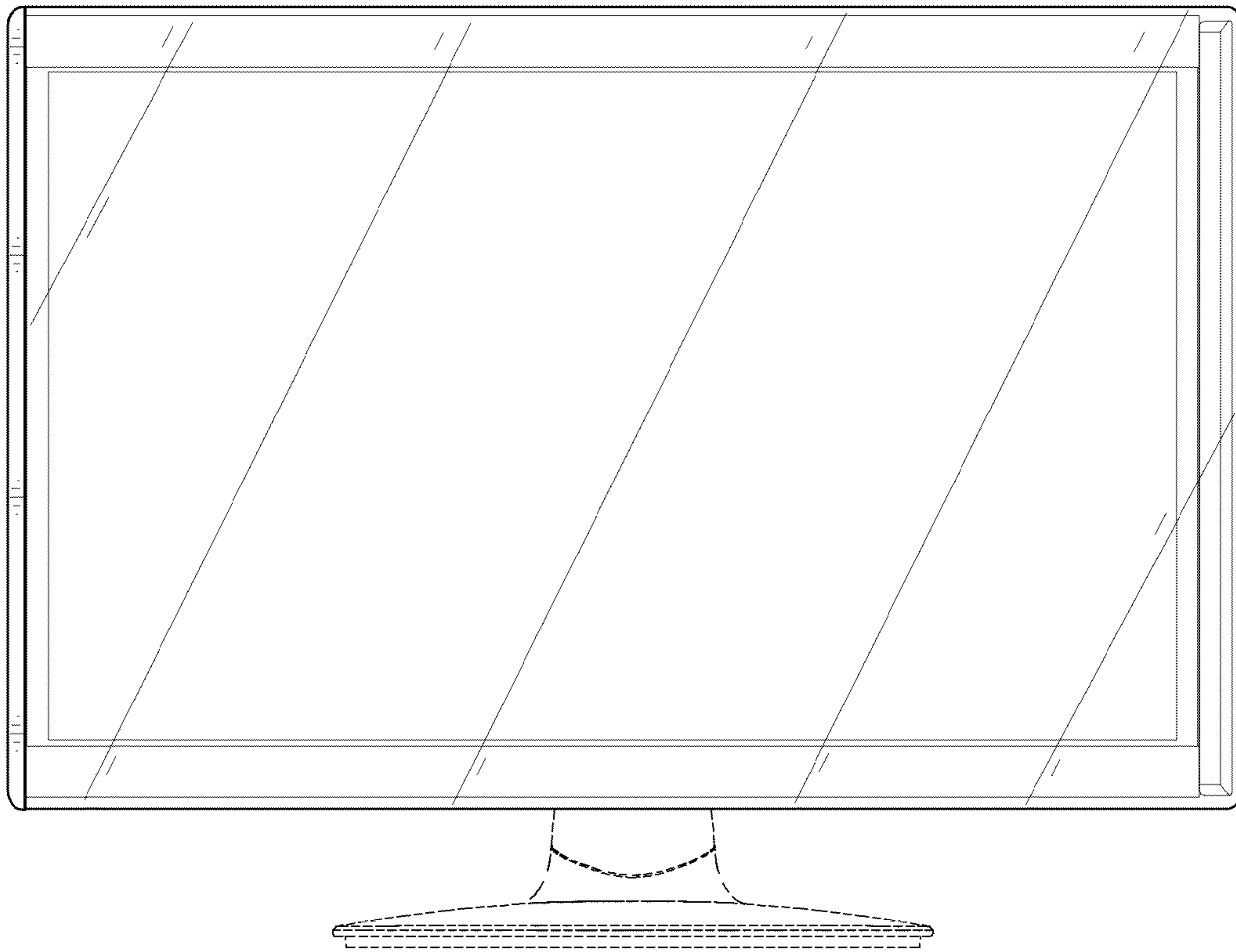


FIG. 2

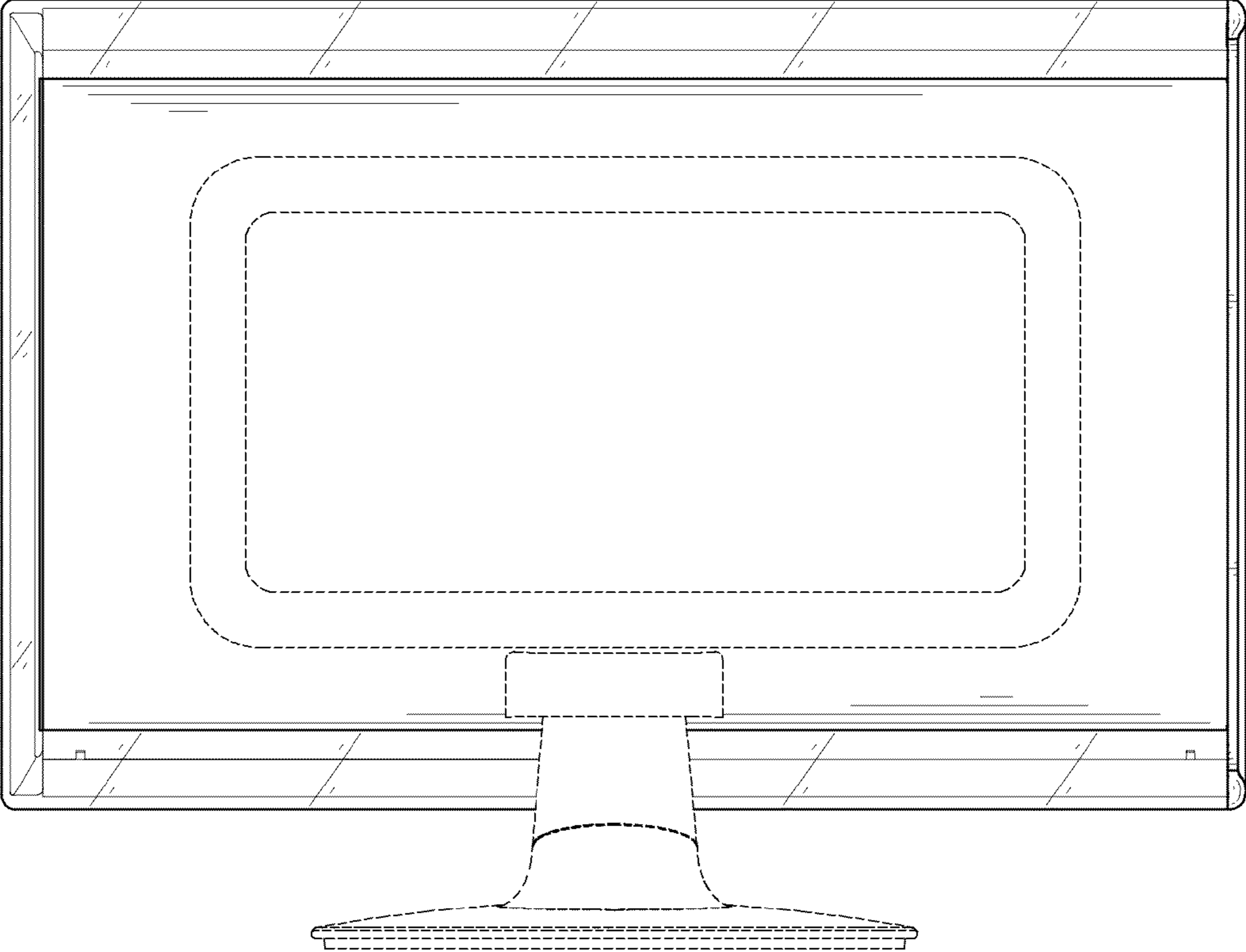


FIG. 3

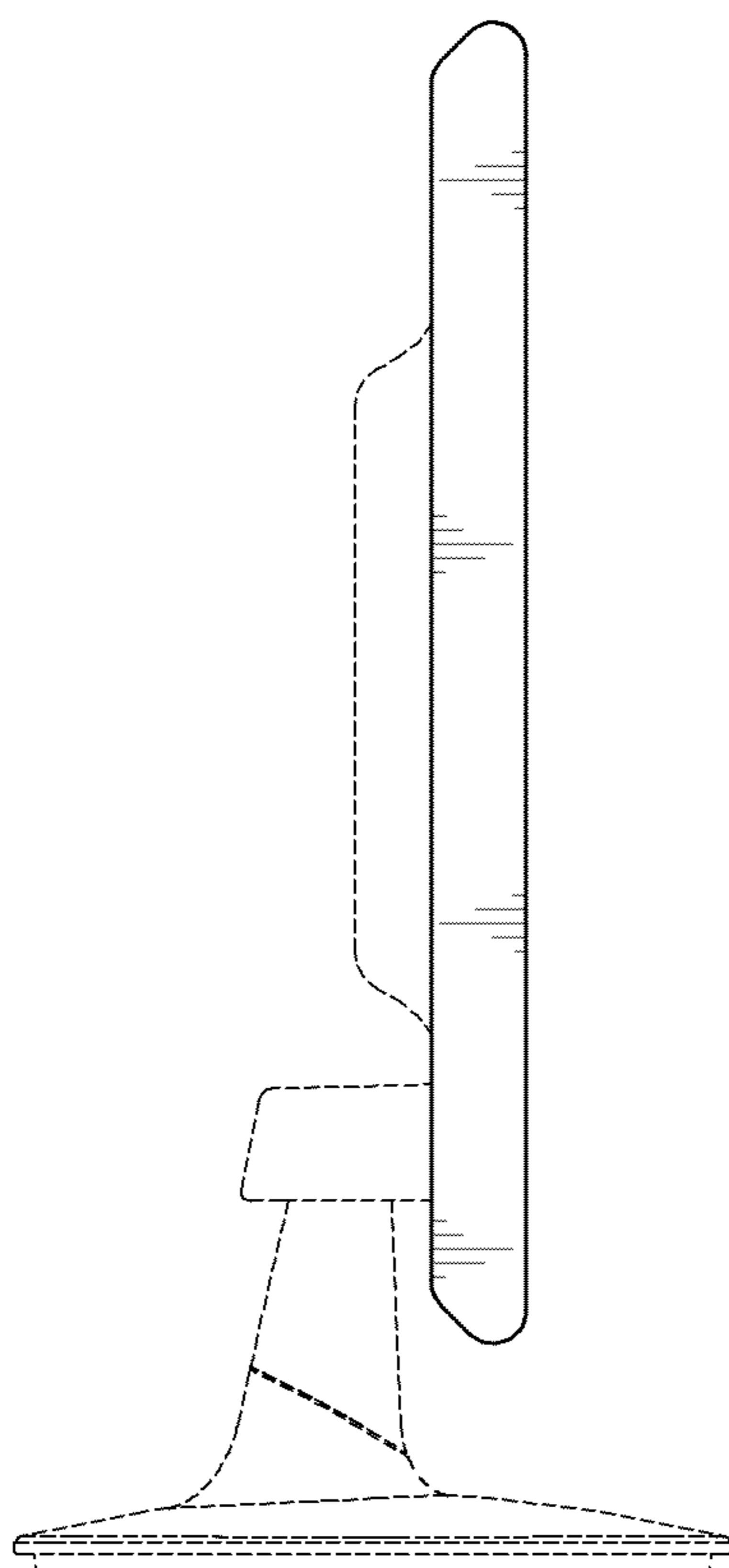


FIG. 4

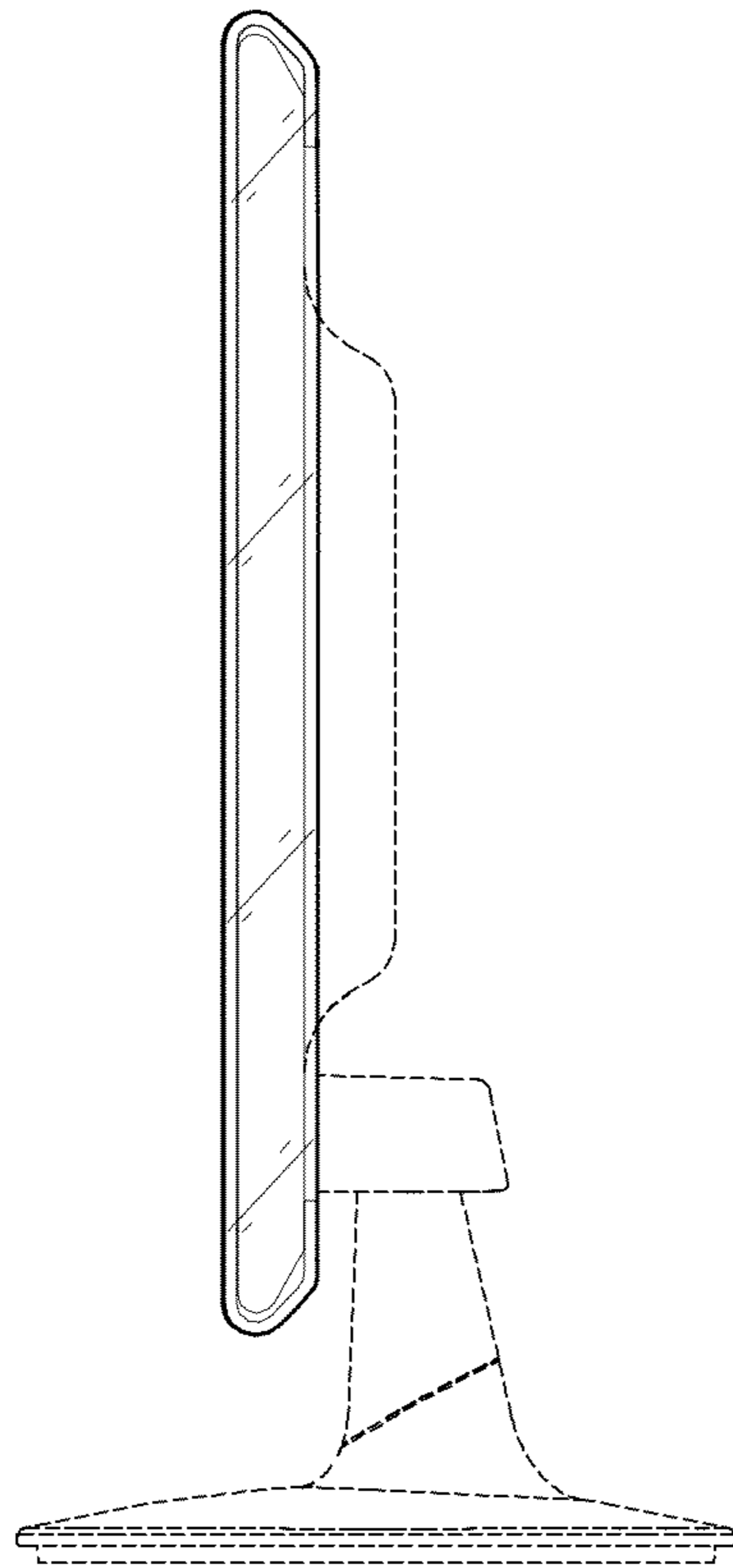


FIG. 5

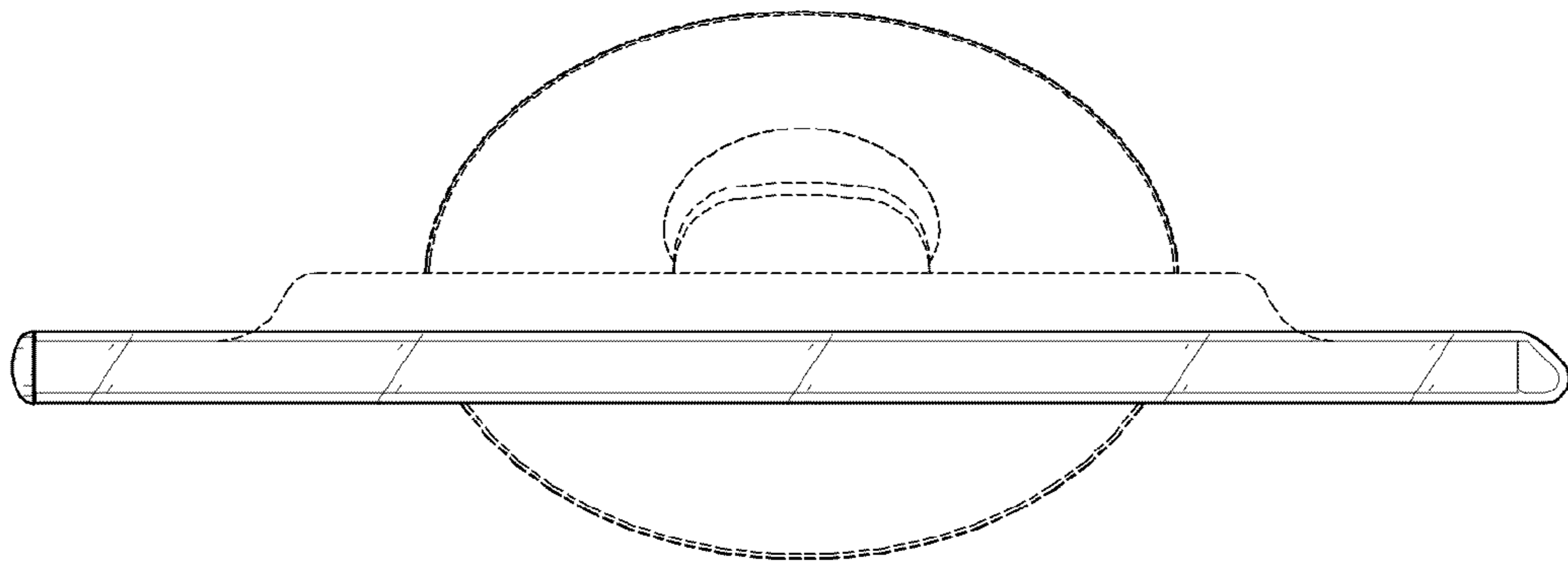


FIG. 6

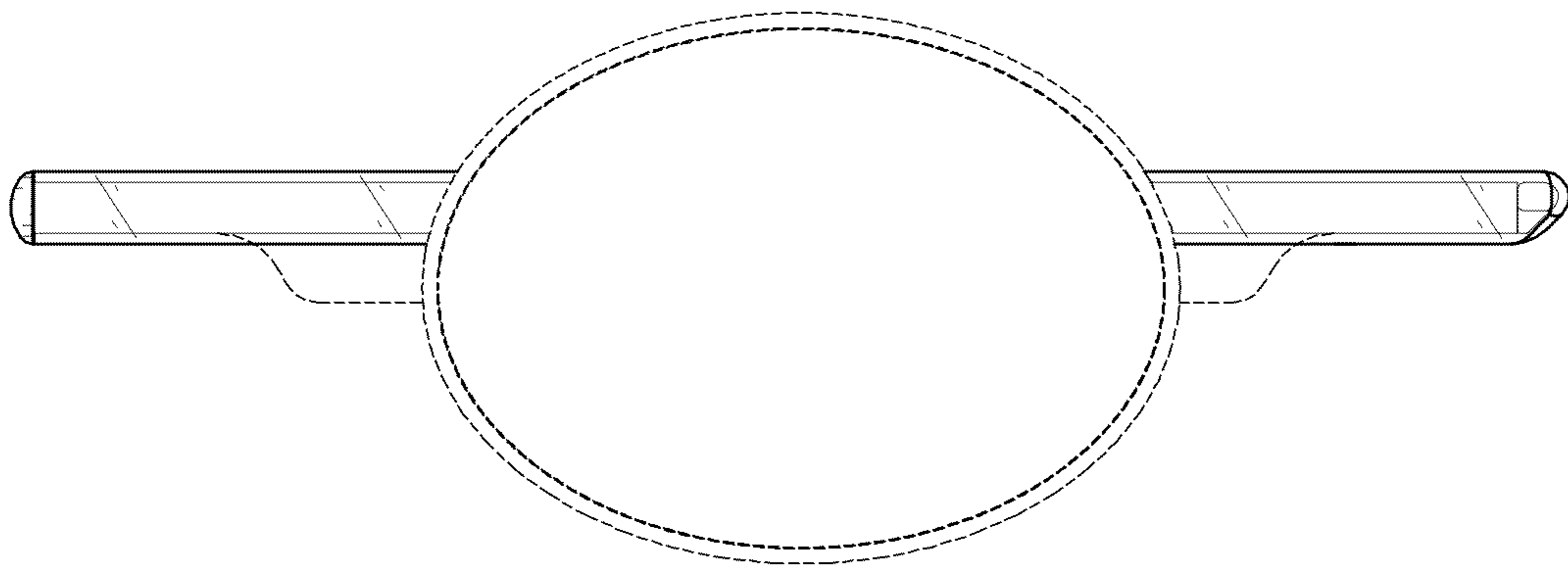


FIG. 7