

US00D712399S

(12) **United States Design Patent**
Sohn et al.

(10) **Patent No.:** **US D712,399 S**

(45) **Date of Patent:** **** Sep. 2, 2014**

(54) **ALL-IN-ONE COMPUTER**

(71) Applicant: **Samsung Electronics Co., Ltd.**,
Suwon-si (KR)

(72) Inventors: **Dong-Hoon Sohn**, Seoul (KR); **Anders P. Jensen**, Charlottenlund (DK)

(73) Assignee: **Samsung Electronics Co., Ltd.** (KR)

(**) Term: **14 Years**

(21) Appl. No.: **29/470,148**

(22) Filed: **Oct. 17, 2013**

(30) **Foreign Application Priority Data**

Apr. 17, 2013 (KR) 30-2013-0020154

(51) **LOC (10) Cl.** **14-02**

(52) **U.S. Cl.**
USPC **D14/336; D14/371**

(58) **Field of Classification Search**
CPC G06F 3/037
USPC D14/371-375, 125-129, 336, 337, 341;
341/12; 345/104, 156, 168, 173;
348/180, 184, 325, 739; 349/1, 2, 11,
349/62; 361/679.05-679.07, 679.21;
D6/300, 308, 310

See application file for complete search history.

(56) **References Cited**

U.S. PATENT DOCUMENTS

5,222,315 A *	6/1993	Lovison	40/765
D370,355 S *	6/1996	Kenney	D6/314
D483,036 S *	12/2003	Lee	D14/375
D524,312 S *	7/2006	Young	D14/375
D559,559 S *	1/2008	Butcher	D6/309
D581,681 S *	12/2008	Goolrick	D6/314
D598,444 S *	8/2009	Xie et al.	D14/336
D659,692 S *	5/2012	Jung et al.	D14/341
D680,110 S *	4/2013	Rossiter et al.	D14/341

* cited by examiner

Primary Examiner — Freda S Nunn

(74) *Attorney, Agent, or Firm* — Cantor Colburn LLP

(57) **CLAIM**

The ornamental design for an all-in-one computer, as shown and described.

DESCRIPTION

FIG. 1 is a top front perspective view of an all-in-one computer showing our new design; FIG. 2 is a front view thereof; FIG. 3 is a rear view thereof; FIG. 4 is a side view thereof; FIG. 5 is another side view thereof; FIG. 6 is a top view thereof; FIG. 7 is a bottom view thereof; and, FIG. 8 is a top rear perspective view thereof. The broken lines illustrating portions of the All-in-one Computer are for environmental purposes only and form no part of the claimed design.

1 Claim, 5 Drawing Sheets

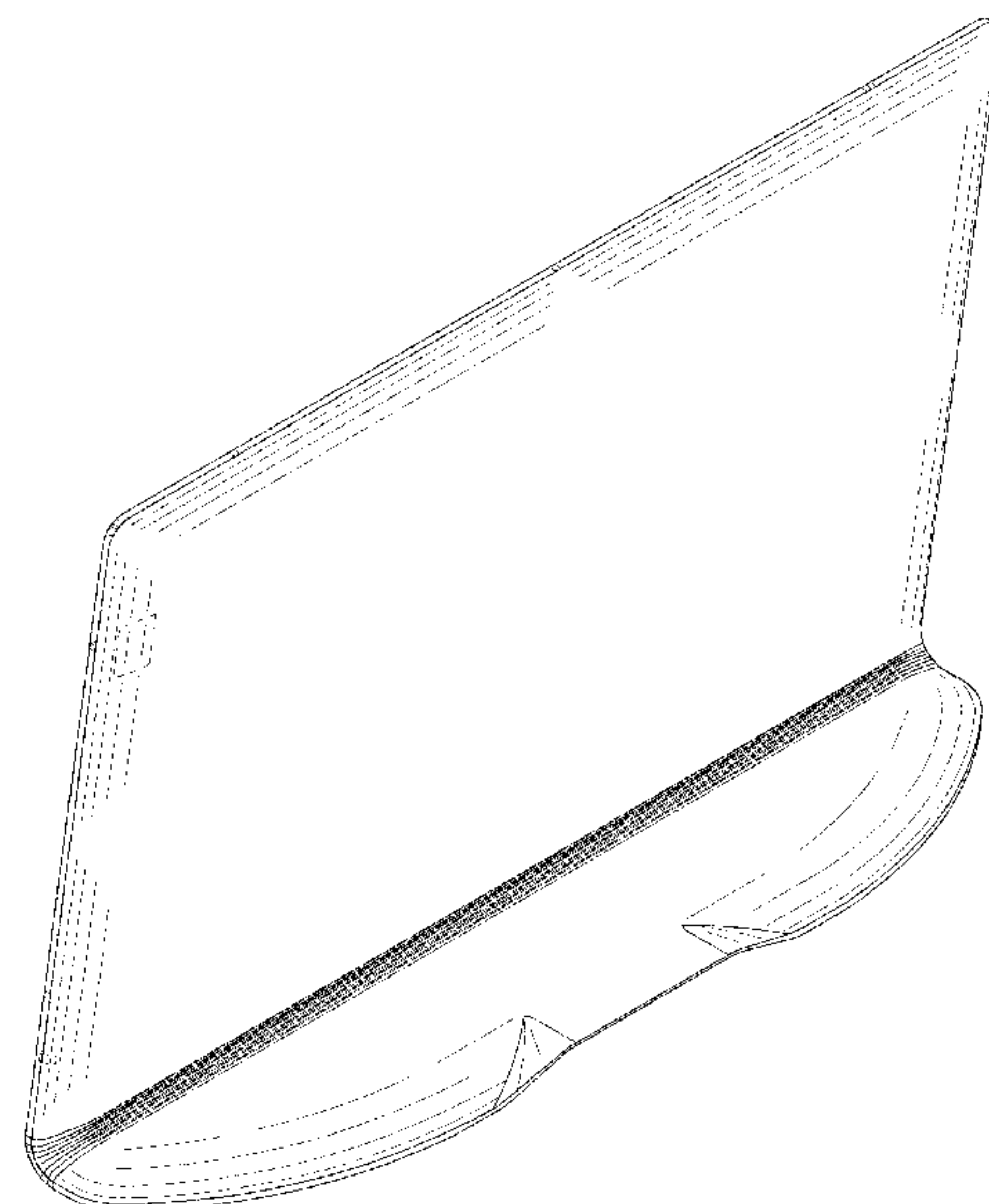
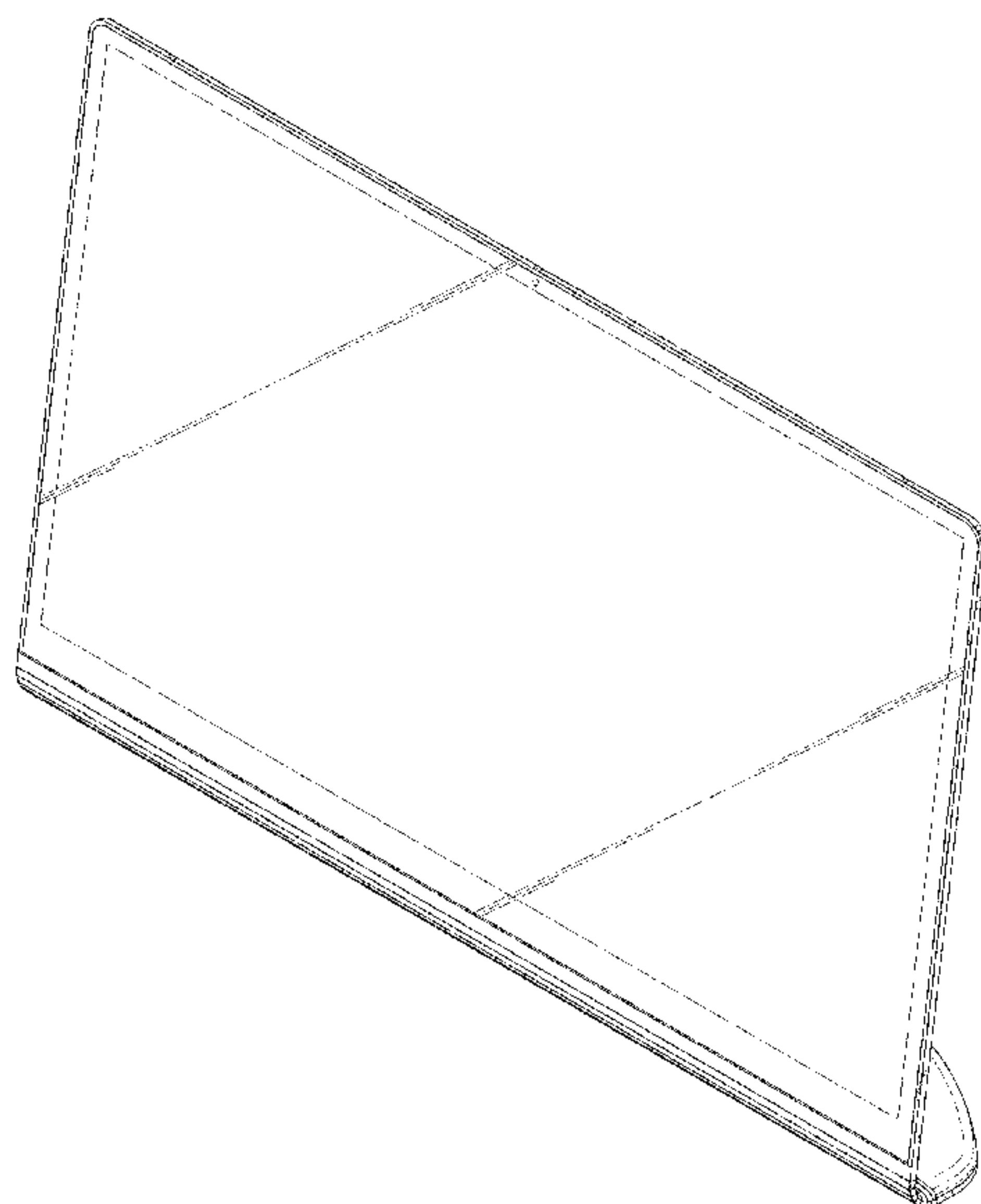


FIG. 1

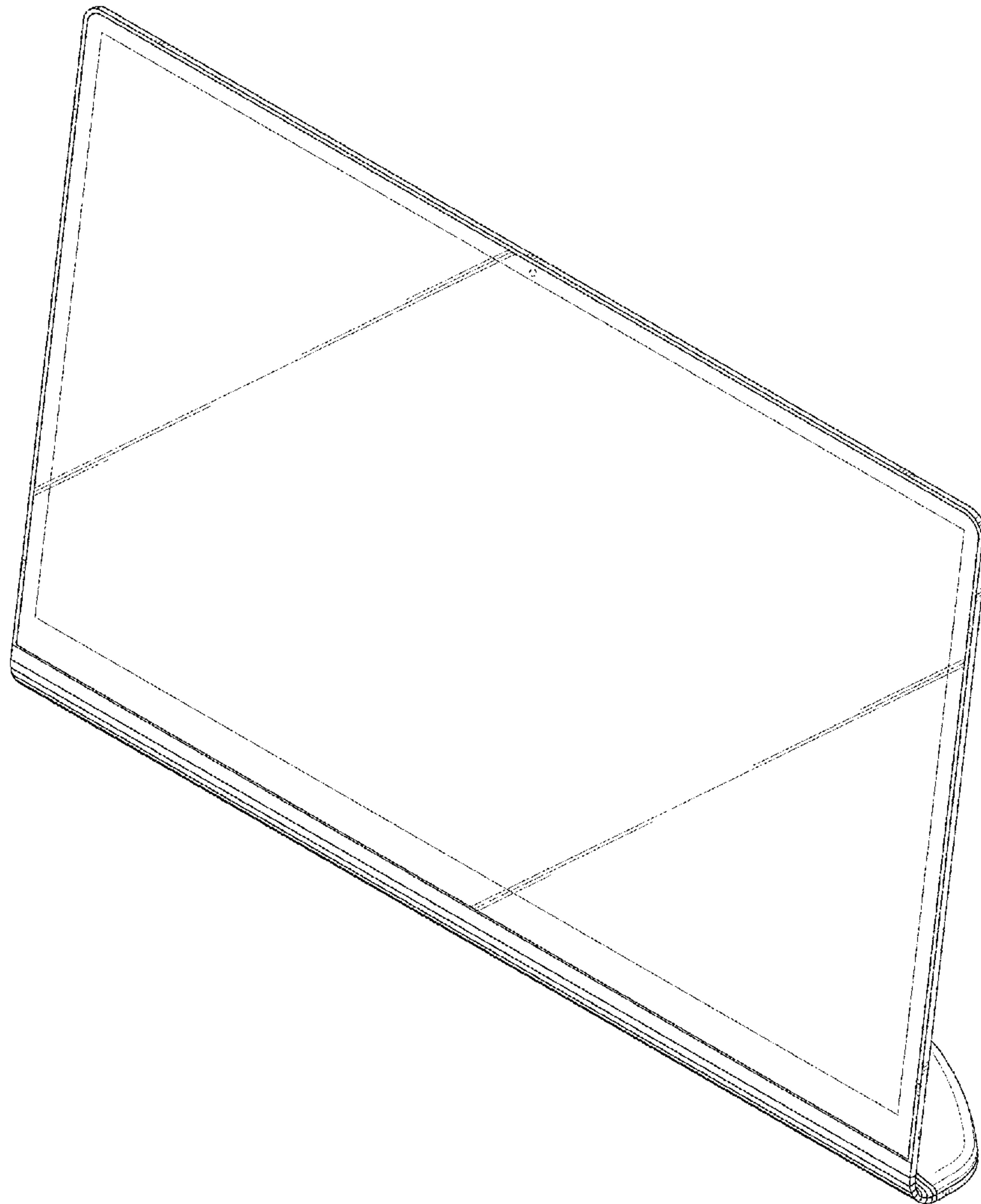


FIG.2

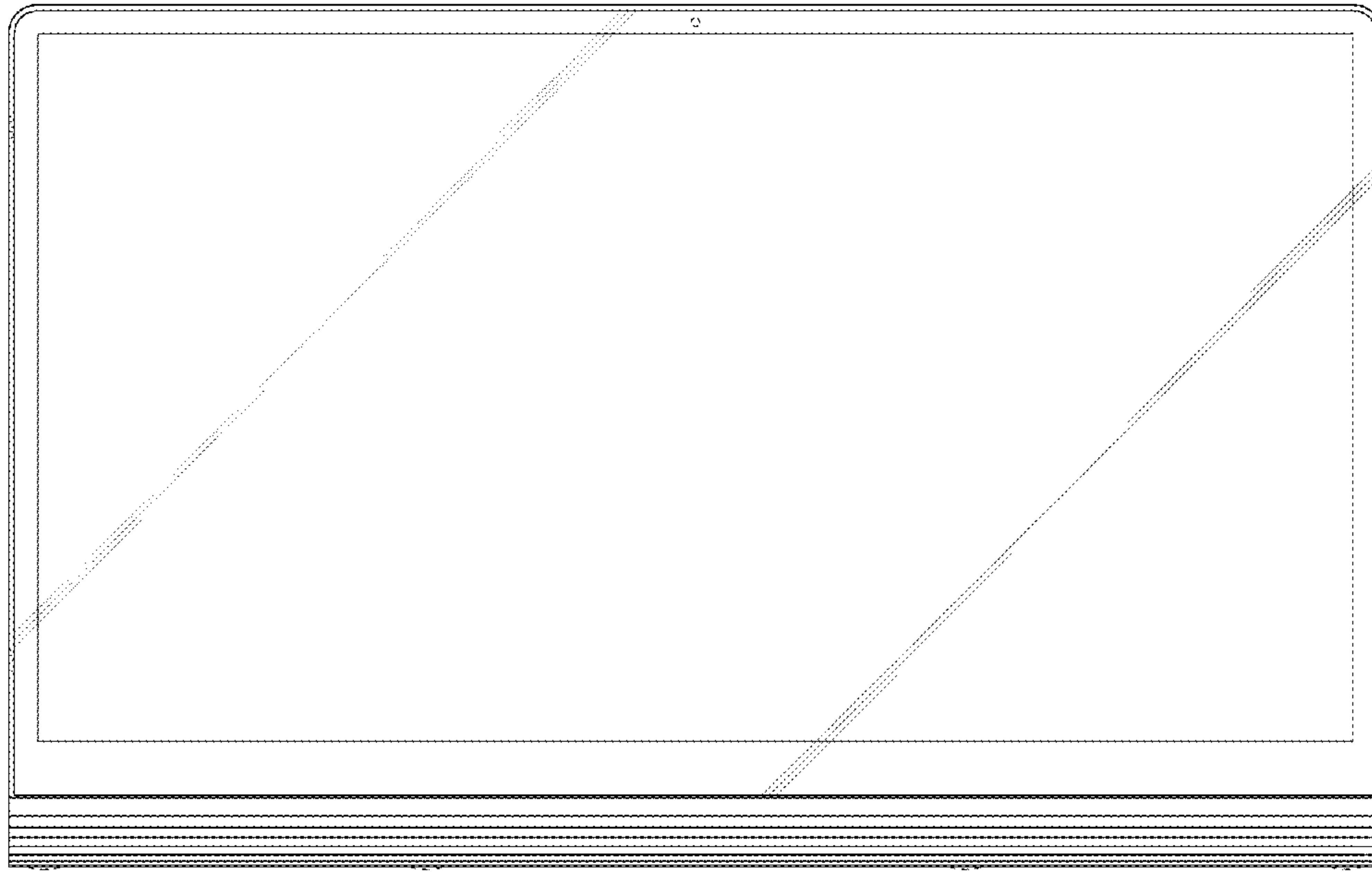


FIG.3

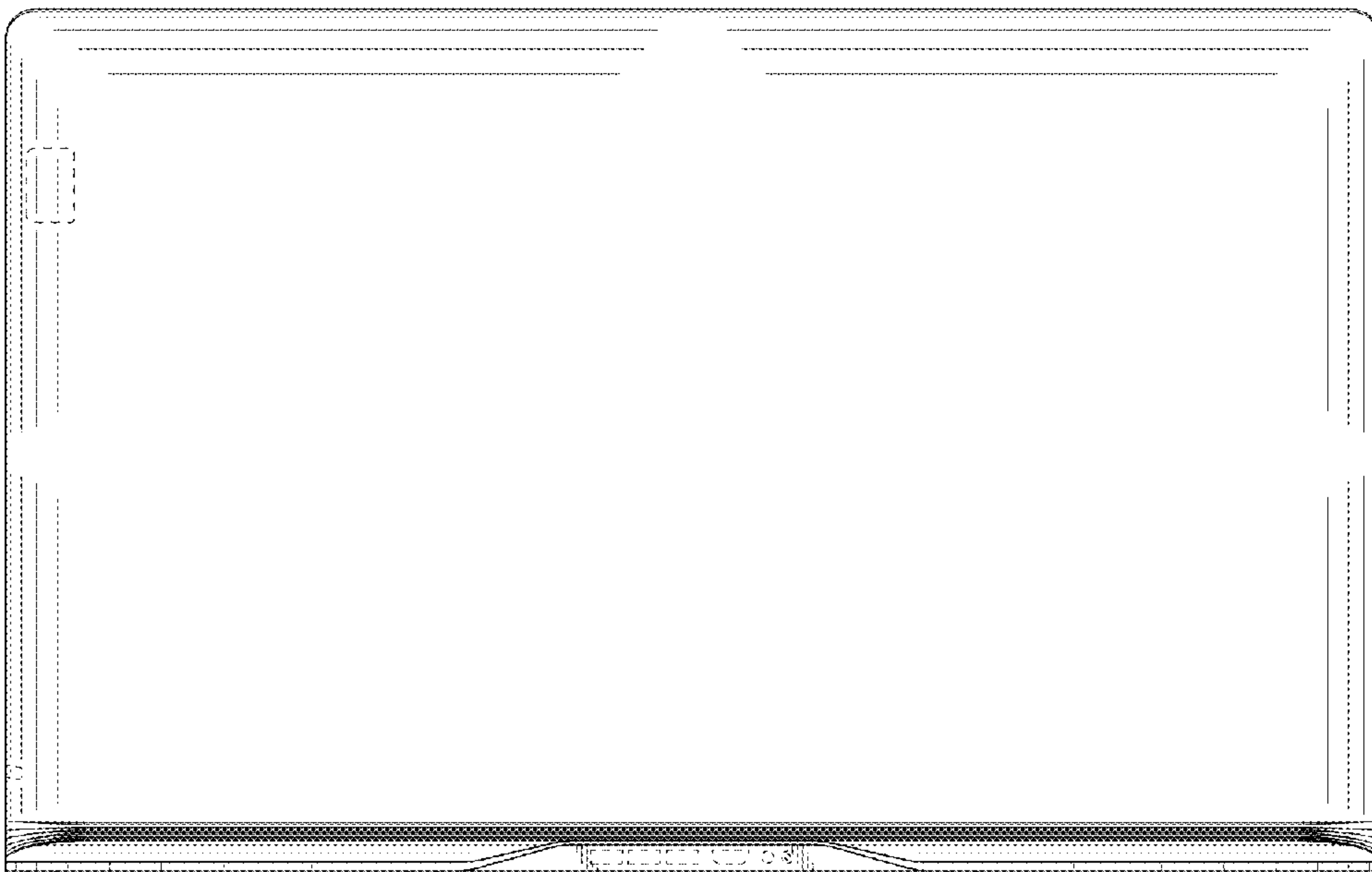


FIG.4

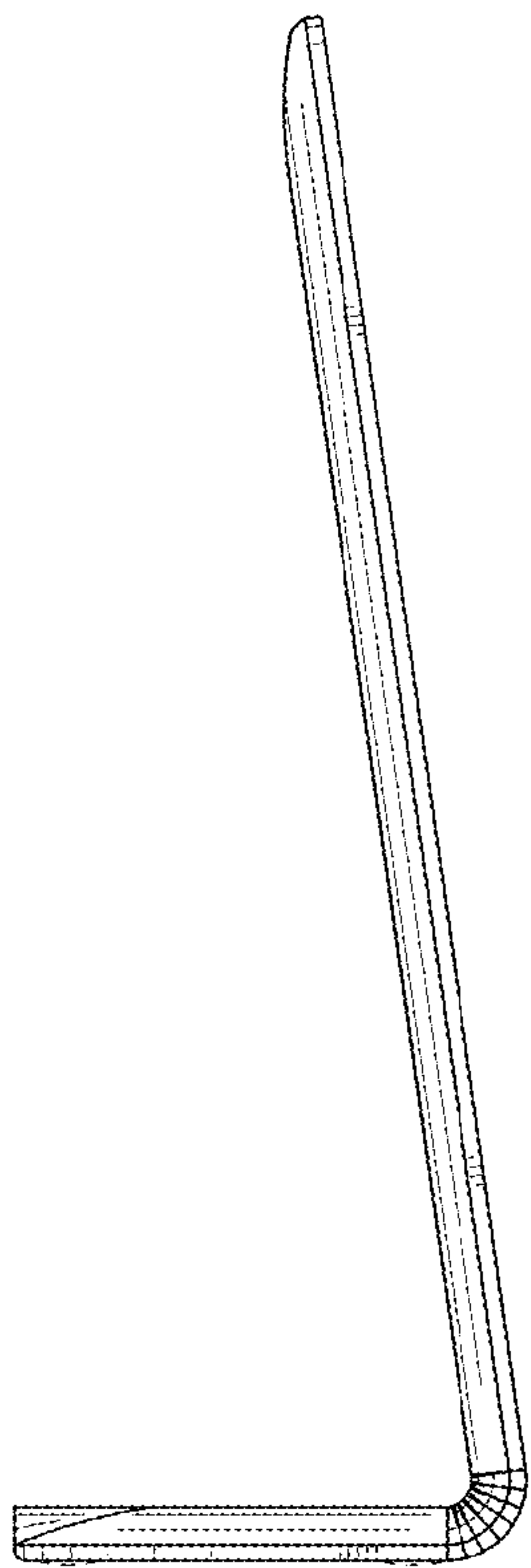


FIG.5

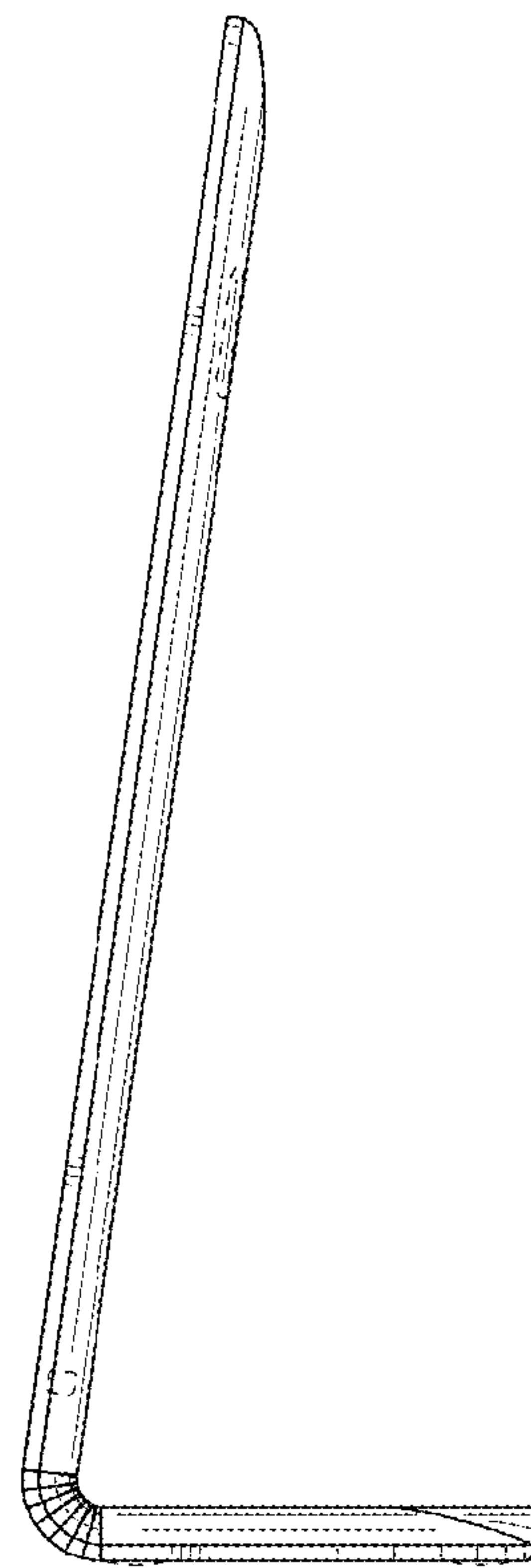


FIG.6

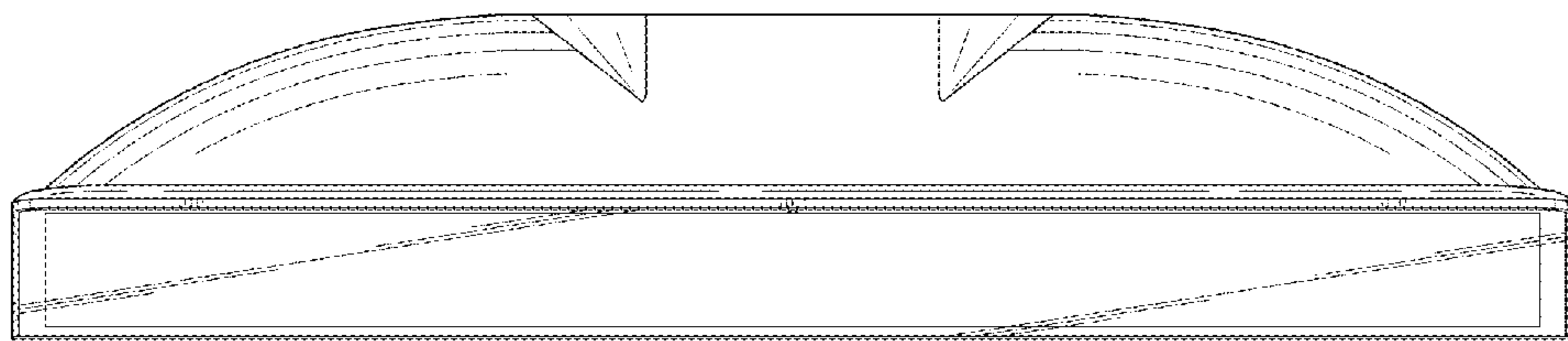


FIG.7

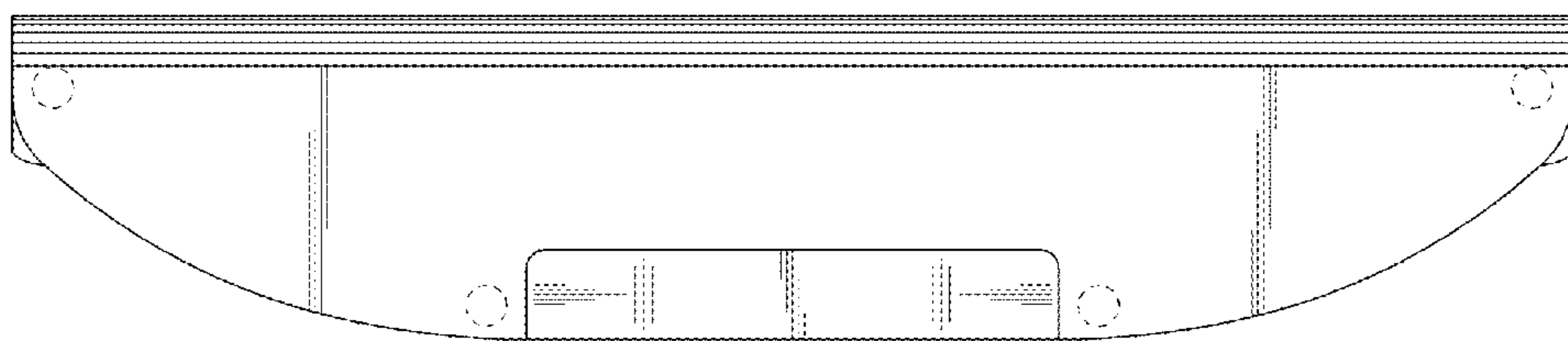


FIG.8

