



US00D712398S

(12) **United States Design Patent**  
**Sohn et al.**

(10) **Patent No.:** **US D712,398 S**

(45) **Date of Patent:** **\*\* Sep. 2, 2014**

(54) **ALL-IN-ONE COMPUTER**

(71) Applicant: **Samsung Electronics Co., Ltd.**,  
Suwon-si (KR)

(72) Inventors: **Dong-Hoon Sohn**, Seoul (KR); **Anders P. Jensen**, Charlottenlund (DK)

(73) Assignee: **Samsung Electronics Co., Ltd.** (KR)

(\*\*) Term: **14 Years**

(21) Appl. No.: **29/470,061**

(22) Filed: **Oct. 17, 2013**

(30) **Foreign Application Priority Data**

Apr. 17, 2013 (KR) ..... 30-2013-0020163

(51) **LOC (10) Cl.** ..... **14-02**

(52) **U.S. Cl.**  
USPC ..... **D14/336**; D14/371

(58) **Field of Classification Search**  
USPC ..... D14/371-375, 125-129, 336, 337, 341;  
341/12; 345/104, 156, 168, 173;  
348/180, 184, 325, 739; 349/1, 2, 11,  
349/62; 361/679.05-679.07, 679.21;  
D6/300, 308, 310

See application file for complete search history.

(56) **References Cited**

U.S. PATENT DOCUMENTS

|               |         |                 |         |
|---------------|---------|-----------------|---------|
| 5,222,315 A * | 6/1993  | Lovison         | 40/765  |
| D370,355 S *  | 6/1996  | Kenney          | D6/314  |
| D483,036 S *  | 12/2003 | Lee             | D14/375 |
| D524,312 S *  | 7/2006  | Young           | D14/375 |
| D559,559 S *  | 1/2008  | Butcher         | D6/309  |
| D581,681 S *  | 12/2008 | Goolrick        | D6/314  |
| D598,444 S *  | 8/2009  | Xie et al.      | D14/336 |
| D659,692 S *  | 5/2012  | Jung et al.     | D14/341 |
| D680,110 S *  | 4/2013  | Rossiter et al. | D14/341 |

\* cited by examiner

*Primary Examiner* — Freda S Nunn

(74) *Attorney, Agent, or Firm* — Cantor Colburn LLP

(57) **CLAIM**

The ornamental design for an all-in-one computer, as shown and described.

**DESCRIPTION**

FIG. 1 is a top rear perspective view of an all-in-one computer showing our new design;  
FIG. 2 is a front view thereof;  
FIG. 3 is a rear view thereof;  
FIG. 4 is left side view thereof;  
FIG. 5 is another side view thereof;  
FIG. 6 is a top view thereof; and,  
FIG. 7 is a bottom view thereof.  
The broken lines illustrating portions of the all-in-one computer are for environmental purposes only and form no part of the claimed design.

**1 Claim, 4 Drawing Sheets**

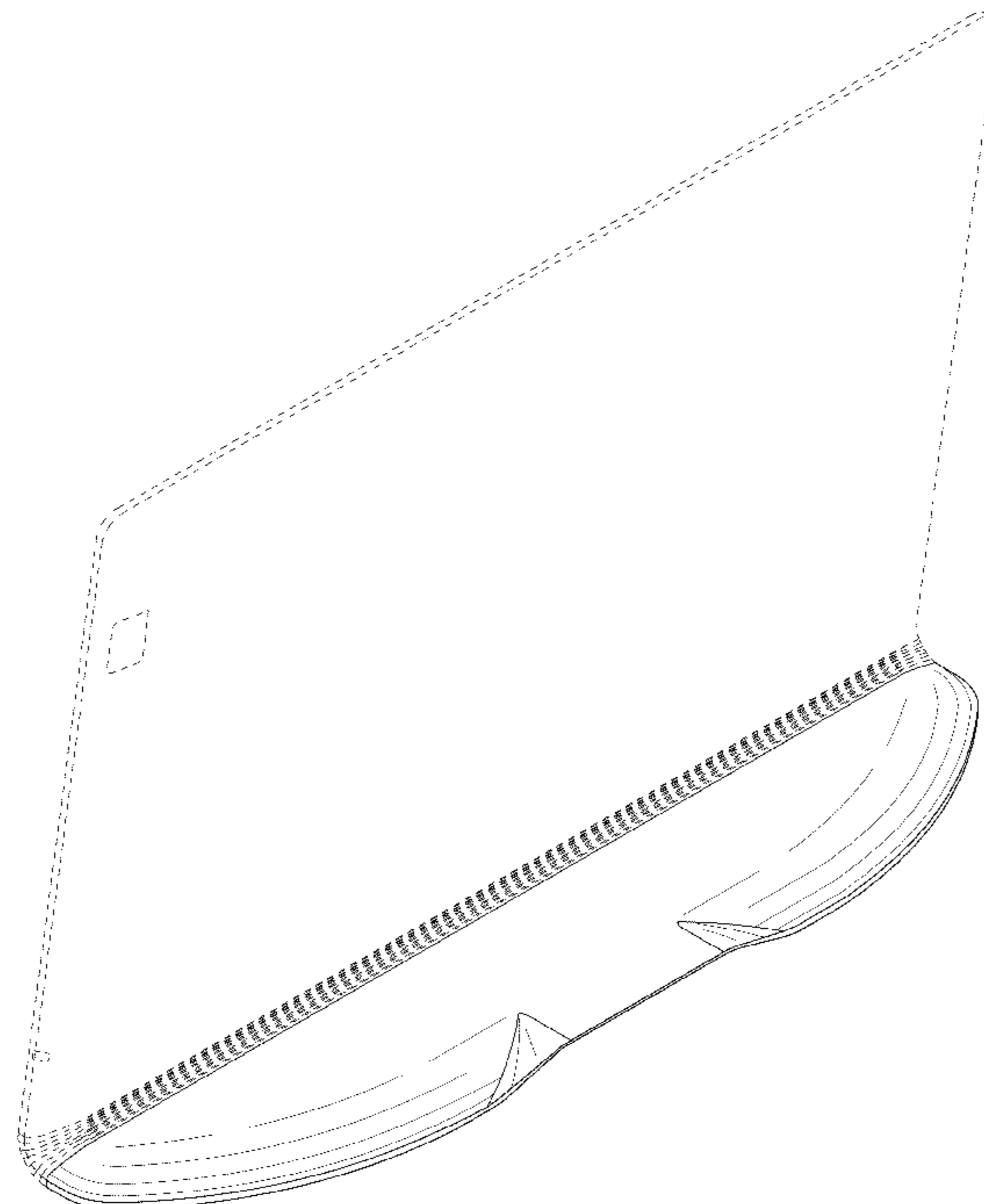


FIG. 1

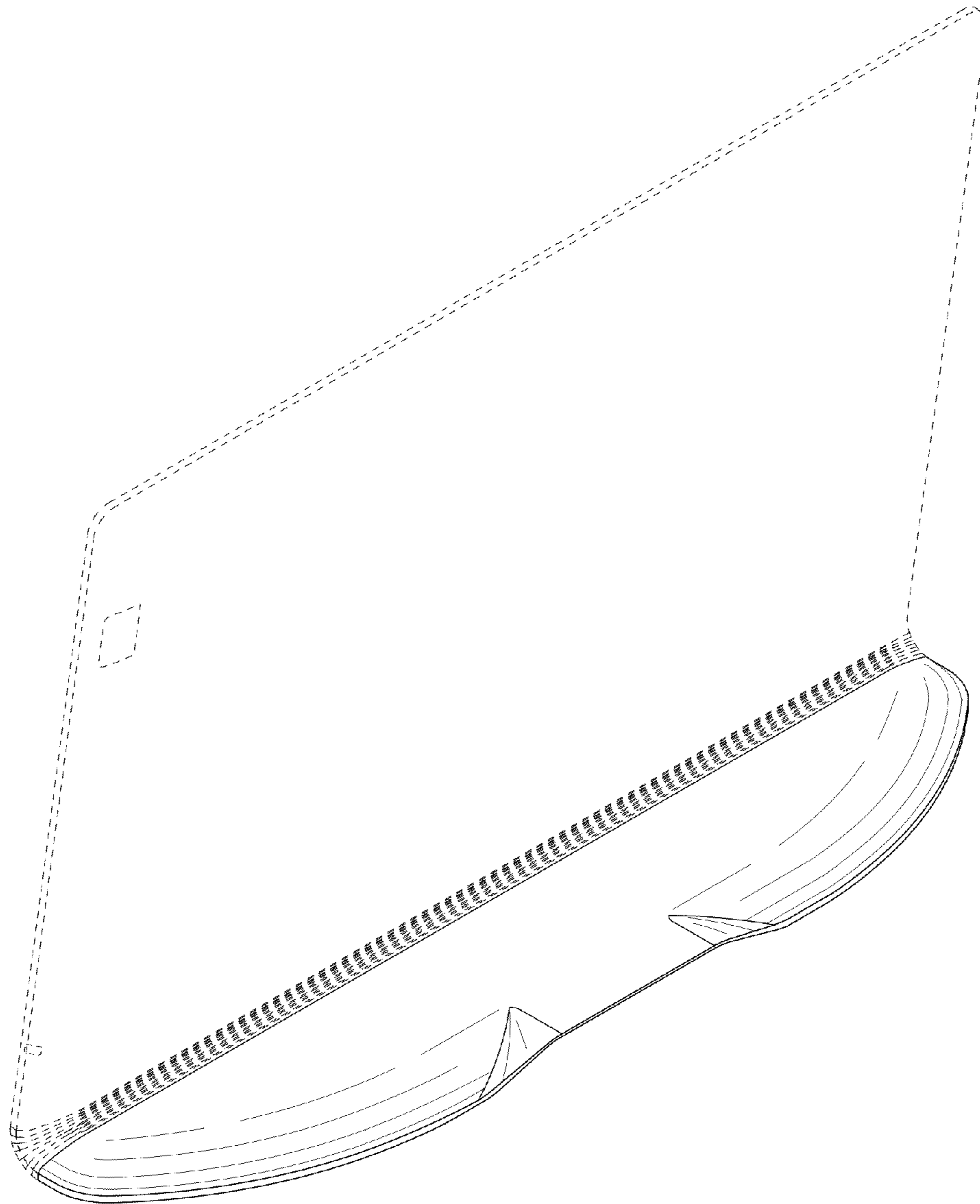


FIG.2



FIG.3



FIG.4

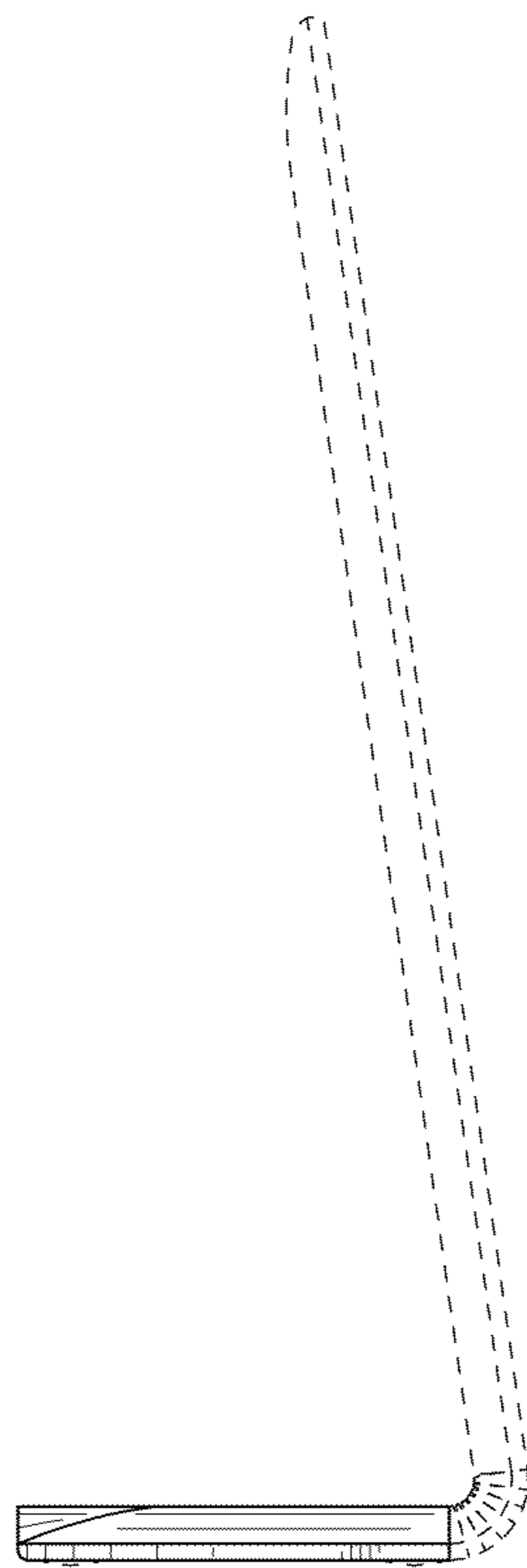


FIG.5

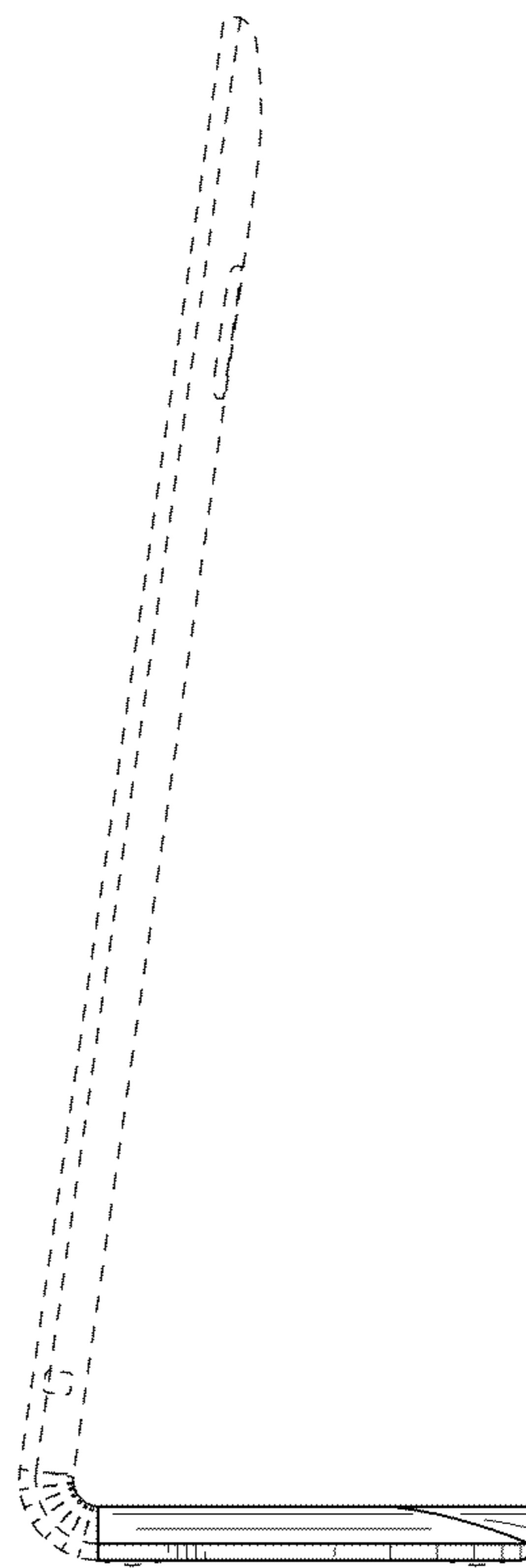


FIG.6

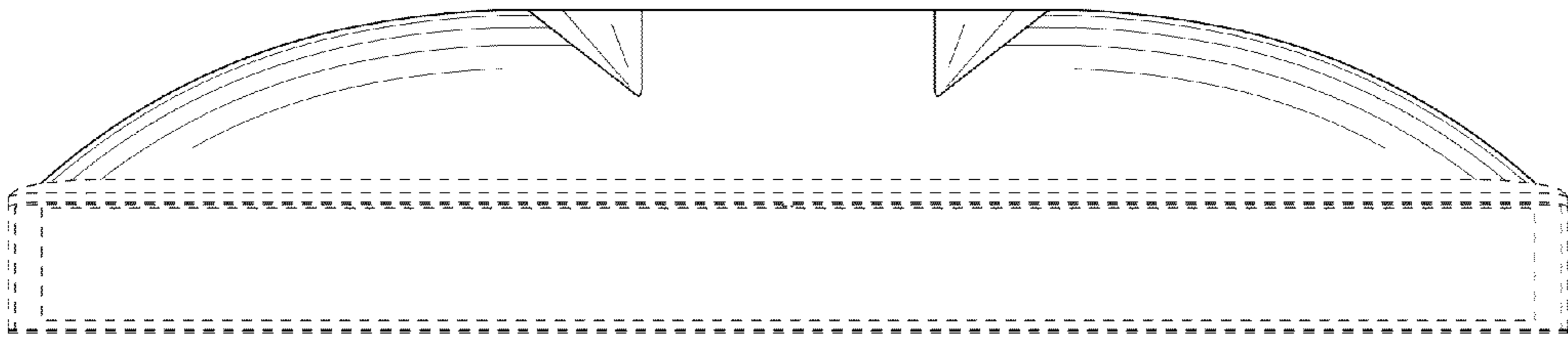


FIG.7

