



US00D712397S

(12) **United States Design Patent**
Akana et al.

(10) **Patent No.:** **US D712,397 S**
(45) **Date of Patent:** **** Sep. 2, 2014**

(54) **ELECTRONIC DEVICE**

(56)

References Cited

(75) Inventors: **Jody Akana**, San Francisco, CA (US);
Bartley K. Andre, Menlo Park, CA
(US); **Jeremy Bataillou**, San Francisco,
CA (US); **Daniel J. Coster**, San
Francisco, CA (US); **Daniele De Iuliis**,
San Francisco, CA (US); **M. Evans**
Hankey, San Francisco, CA (US);
Julian Hoenig, San Francisco, CA (US);
Richard P. Howarth, San Francisco, CA
(US); **Jonathan P. Ive**, San Francisco,
CA (US); **Duncan Robert Kerr**, San
Francisco, CA (US); **Shin Nishibori**,
Kailua, HI (US); **Matthew Dean**
Rohrbach, San Francisco, CA (US);
Peter Russell-Clarke, San Francisco,
CA (US); **Christopher J. Stringer**,
Woodside, CA (US); **Eugene Antony**
Whang, San Francisco, CA (US); **Rico**
Zorkendorfer, San Francisco, CA (US)

U.S. PATENT DOCUMENTS

D434,763	S	12/2000	Jobs et al.	
D456,023	S	4/2002	Andre et al.	
D504,889	S	5/2005	Andre et al.	
D531,631	S	11/2006	Andre et al.	
D532,011	S	11/2006	Andre et al.	
D541,799	S	5/2007	Andre et al.	
D556,755	S	12/2007	Lee et al.	
D564,465	S *	3/2008	Onoda	D14/126
D577,694	S *	9/2008	Shih et al.	D14/126
D585,034	S *	1/2009	Chu	D14/126
D600,696	S *	9/2009	Andre et al.	D14/371
D604,733	S *	11/2009	Andre et al.	D14/374
D605,193	S	12/2009	Andre et al.	
D609,705	S *	2/2010	Andre et al.	D14/374
D610,138	S *	2/2010	Andre et al.	D14/336
D618,241	S *	6/2010	Akana et al.	D14/374
D618,242	S	6/2010	Akana et al.	
D620,932	S *	8/2010	Andre et al.	D14/336
D621,830	S *	8/2010	Andre et al.	D14/336
D621,833	S	8/2010	Chang et al.	
D621,841	S	8/2010	Andre et al.	
D630,210	S *	1/2011	Andre et al.	D14/374
D638,013	S	5/2011	Andre et al.	
D651,602	S	1/2012	Andre et al.	
D651,607	S	1/2012	Akana et al.	
D656,501	S	3/2012	Andre et al.	
D658,190	S	4/2012	Akana et al.	
D658,646	S *	5/2012	Akana et al.	D14/336
D661,305	S *	6/2012	Andre et al.	D14/374
D661,311	S	6/2012	Akana et al.	
D677,257	S	3/2013	Andre et al.	
D684,572	S	6/2013	Akana et al.	
D684,581	S	6/2013	Akana et al.	
2003/0058372	A1 *	3/2003	Williams et al.	348/836

(73) Assignee: **Apple Inc.**, Cupertino, CA (US)

(**) Term: **14 Years**

(21) Appl. No.: **29/431,443**

(22) Filed: **Sep. 7, 2012**

(51) **LOC (10) Cl.** **14-02**

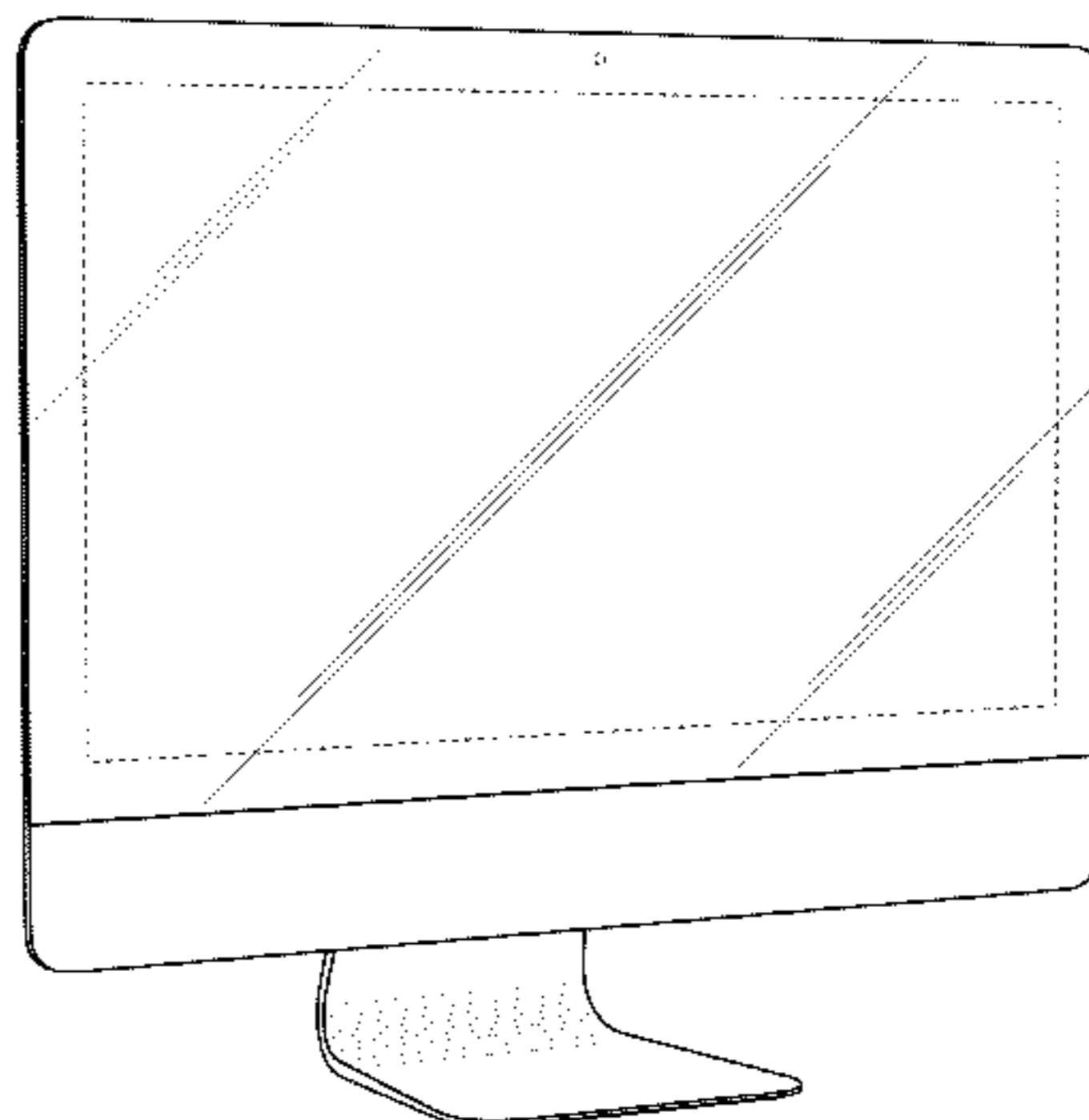
(52) **U.S. Cl.**
USPC **D14/336; D14/371; D14/374**

(58) **Field of Classification Search**
USPC **D14/371-376, 125-129, 336, 337;**
248/917-924, 371, 121, 176.1, 278.1;
341/12; 345/104, 156, 173, 174,
345/901-905; 348/180, 184, 352, 739;
349/1, 2, 11, 62; 361/679.06-679.08,
361/679.21, 679.22

See application file for complete search history.

OTHER PUBLICATIONS

U.S. Appl. No. 29/432,920 of Jody Akana et al. entitled "Enclosure," filed Sep. 22, 2012.
U.S. Appl. No. 29/432,919 of Jody Akana et al. entitled "Electronic Device," filed Sep. 22, 2012.
U.S. Appl. No. 29/435,386 of Jody Akana et al. entitled "Electronic Device," filed Oct. 23, 2012.
U.S. Appl. No. 29/455,075 of Jody Akana et al. entitled "Electronic Device," filed May 16, 2013.
U.S. Appl. No. 29/455,071 of Jody Akana et al. entitled "Electronic Device," filed May 16, 2013.
U.S. Appl. No. 29/413,827 of Bartley K. Andre et al. entitled "Computer," filed Feb. 21, 2012.



U.S. Appl. No. 29/468,395 of Bartley K. Andre et al entitled “Computer,” filed Sep. 30, 2013.

U.S. Appl. No. 29/441,989 of Bartley K. Andre et al entitled “Monitor,” filed Jan. 11, 2013.

* cited by examiner

Primary Examiner — Freda S Nunn

(74) *Attorney, Agent, or Firm* — SAIDMAN DesignLaw Group

(57) **CLAIM**

The ornamental design for an electronic device, as shown and described.

DESCRIPTION

FIG. 1 is a perspective view of a first embodiment of an electronic device showing our new design;
 FIG. 2 is a rear perspective view thereof;
 FIG. 3 is another rear perspective view thereof;
 FIG. 4 is a front view thereof;
 FIG. 5 is a rear view thereof;
 FIG. 6 is a left side view thereof;
 FIG. 7 is a right side view thereof;
 FIG. 8 is a top view thereof;
 FIG. 9 is a bottom view thereof;
 FIG. 10 is a perspective view of a second embodiment thereof;
 FIG. 11 is a rear perspective view thereof;
 FIG. 12 is another rear perspective view thereof;
 FIG. 13 is a front view thereof;
 FIG. 14 is a rear view thereof;
 FIG. 15 is a left side view thereof;
 FIG. 16 is a right side view thereof;
 FIG. 17 is a top view thereof;
 FIG. 18 is a bottom view thereof;
 FIG. 19 is a perspective view of a third embodiment thereof;
 FIG. 20 is a rear perspective view thereof;
 FIG. 21 is another rear perspective view thereof;
 FIG. 22 is a front view thereof;
 FIG. 23 is a rear view thereof;
 FIG. 24 is a left side view thereof;
 FIG. 25 is a right side view thereof;
 FIG. 26 is a top view thereof;
 FIG. 27 is a bottom view thereof;
 FIG. 28 is a perspective view of a fourth embodiment thereof;
 FIG. 29 is a rear perspective view thereof;
 FIG. 30 is another rear perspective view thereof;
 FIG. 31 is a front view thereof;
 FIG. 32 is a rear view thereof;
 FIG. 33 is a left side view thereof;
 FIG. 34 is a right side view thereof;
 FIG. 35 is a top view thereof;
 FIG. 36 is a bottom view thereof;
 FIG. 37 is a left side view of a fifth embodiment thereof;
 FIG. 38 is a right side view thereof;
 FIG. 39 is a top view thereof;
 FIG. 40 is a bottom view thereof;
 FIG. 41 is a left side view of a sixth embodiment thereof;
 FIG. 42 is a right side view thereof;
 FIG. 43 is a top view thereof;
 FIG. 44 is a bottom view thereof;
 FIG. 45 is a perspective view of a seventh embodiment thereof;
 FIG. 46 is a rear perspective view thereof;

FIG. 47 is another rear perspective view thereof;
 FIG. 48 is a front view thereof;
 FIG. 49 is a rear view thereof;
 FIG. 50 is a left side view thereof;
 FIG. 51 is a right side view thereof;
 FIG. 52 is a top view thereof;
 FIG. 53 is a bottom view thereof;
 FIG. 54 is a perspective view of an eighth embodiment thereof;
 FIG. 55 is a rear perspective view thereof;
 FIG. 56 is another rear perspective view thereof;
 FIG. 57 is a front view thereof;
 FIG. 58 is a rear view thereof;
 FIG. 59 is a left side view thereof;
 FIG. 60 is a right side view thereof;
 FIG. 61 is a top view thereof;
 FIG. 62 is a bottom view thereof;
 FIG. 63 is a perspective view of a ninth embodiment thereof;
 FIG. 64 is a rear perspective view thereof;
 FIG. 65 is another rear perspective view thereof;
 FIG. 66 is a front view thereof;
 FIG. 67 is a rear view thereof;
 FIG. 68 is a left side view thereof;
 FIG. 69 is a right side view thereof;
 FIG. 70 is a top view thereof;
 FIG. 71 is a bottom view thereof;
 FIG. 72 is a perspective view of a tenth embodiment thereof;
 FIG. 73 is a rear perspective view thereof;
 FIG. 74 is another rear perspective view thereof;
 FIG. 75 is a front view thereof;
 FIG. 76 is a rear view thereof;
 FIG. 77 is a left side view thereof;
 FIG. 78 is a right side view thereof;
 FIG. 79 is a top view thereof;
 FIG. 80 is a bottom view thereof;
 FIG. 81 is a perspective view of an eleventh embodiment thereof;
 FIG. 82 is a rear perspective view thereof;
 FIG. 83 is another rear perspective view thereof;
 FIG. 84 is a front view thereof;
 FIG. 85 is a rear view thereof;
 FIG. 86 is a left side view thereof;
 FIG. 87 is a right side view thereof;
 FIG. 88 is a top view thereof;
 FIG. 89 is a bottom view thereof;
 FIG. 90 is a perspective view of a twelfth embodiment thereof;
 FIG. 91 is a rear perspective view thereof;
 FIG. 92 is another rear perspective view thereof;
 FIG. 93 is a front view thereof;
 FIG. 94 is a rear view thereof;
 FIG. 95 is a left side view thereof;
 FIG. 96 is a right side view thereof;
 FIG. 97 is a top view thereof;
 FIG. 98 is a bottom view thereof;
 FIG. 99 is a perspective view of a thirteenth embodiment thereof;
 FIG. 100 is a rear perspective view thereof;
 FIG. 101 is another rear perspective view thereof;
 FIG. 102 is a front view thereof;
 FIG. 103 is a rear view thereof;
 FIG. 104 is a left side view thereof;
 FIG. 105 is a right side view thereof;
 FIG. 106 is a top view thereof;
 FIG. 107 is a bottom view thereof;

FIG. 108 is a perspective view of a fourteenth embodiment thereof;

FIG. 109 is a rear perspective view thereof;

FIG. 110 is another rear perspective view thereof;

FIG. 111 is a front view thereof;

FIG. 112 is a rear view thereof;

FIG. 113 is a left side view thereof;

FIG. 114 is a right side view thereof;

FIG. 115 is a top view thereof;

FIG. 116 is a bottom view thereof;

FIG. 117 is a perspective view of a fifteenth embodiment thereof;

FIG. 118 is a rear perspective view thereof;

FIG. 119 is another rear perspective view thereof;

FIG. 120 is a front view thereof;

FIG. 121 is a rear view thereof;

FIG. 122 is a left side view thereof;

FIG. 123 is a right side view thereof;

FIG. 124 is a top view thereof;

FIG. 125 is a bottom view thereof;

FIG. 126 is a perspective view of a sixteenth embodiment thereof;

FIG. 127 is a rear perspective view thereof;

FIG. 128 is another rear perspective view thereof;

FIG. 129 is a front view thereof;

FIG. 130 is a rear view thereof;

FIG. 131 is a left side view thereof;

FIG. 132 is a right side view thereof;

FIG. 133 is a top view thereof; and,

FIG. 134 is a bottom view thereof.

The broken lines illustrate environmental structure and form no part of the claimed design.

The relatively light shade lines on the surface portions indicate contour and not surface decoration.

The black shading on the front screen represents the color black and the dark gray shading on the front screen represents the color gray.

The gray shading on the stand and body represents a metallic surface.

1 Claim, 80 Drawing Sheets

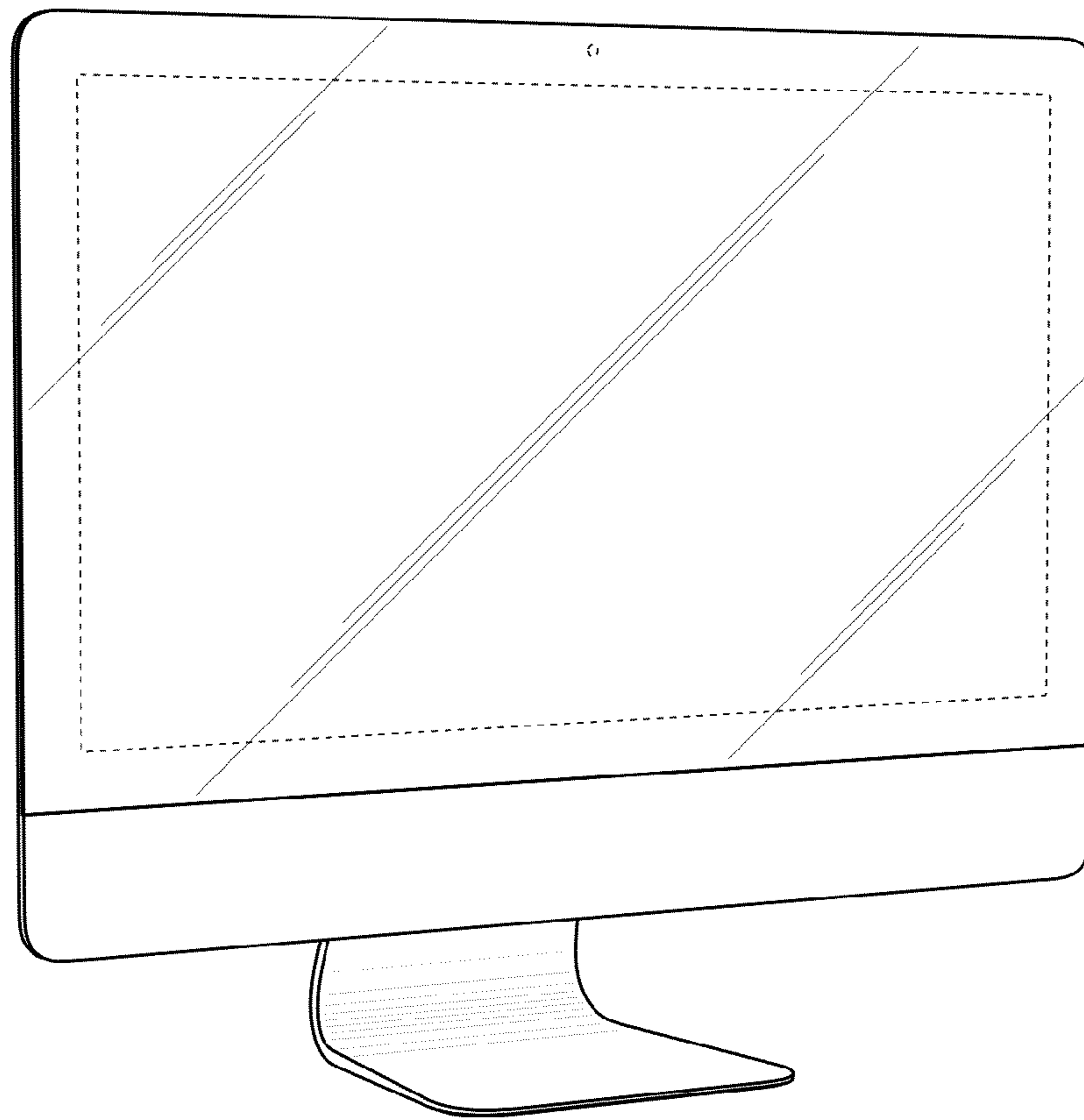


Fig. 1

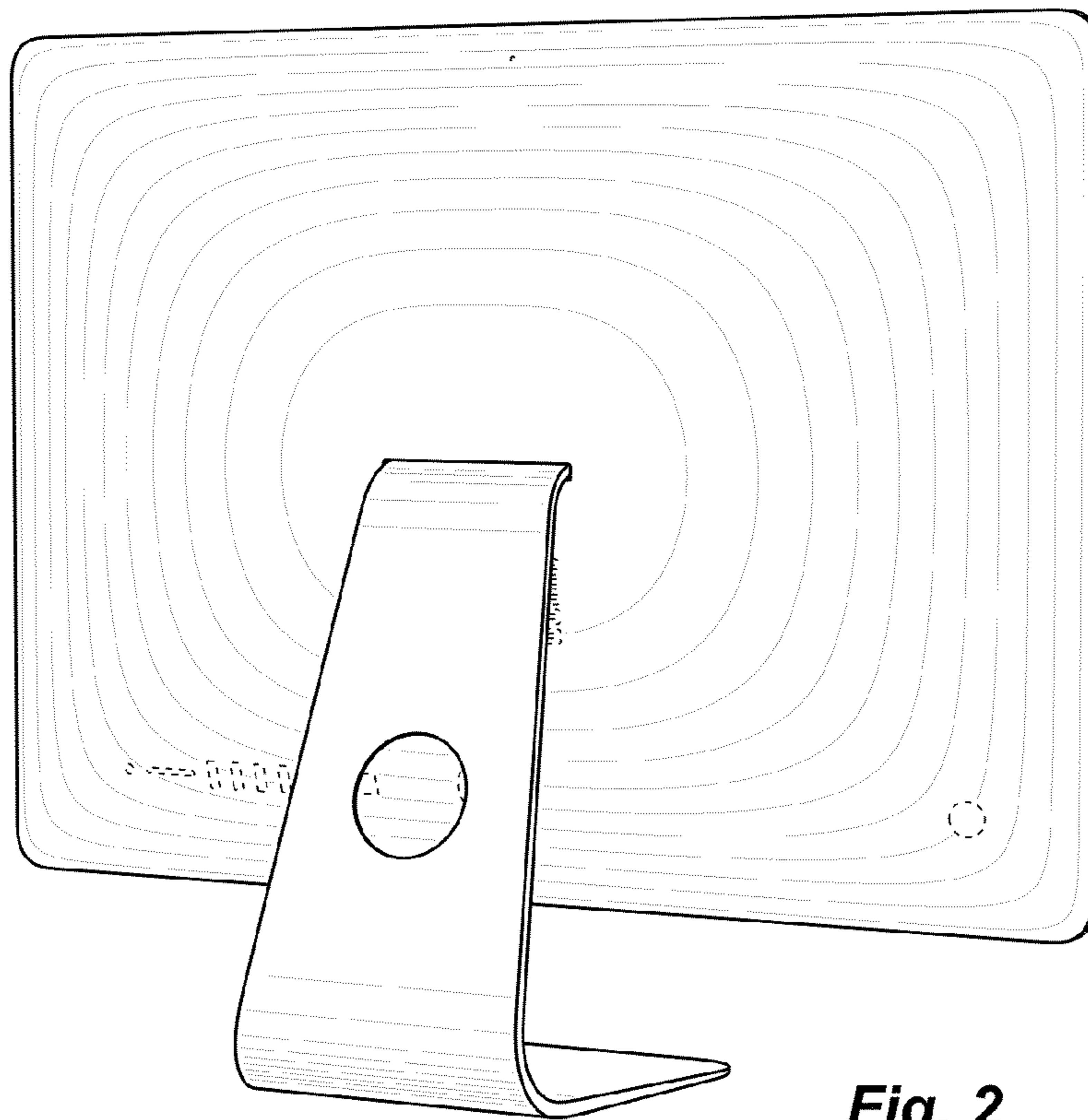


Fig. 2

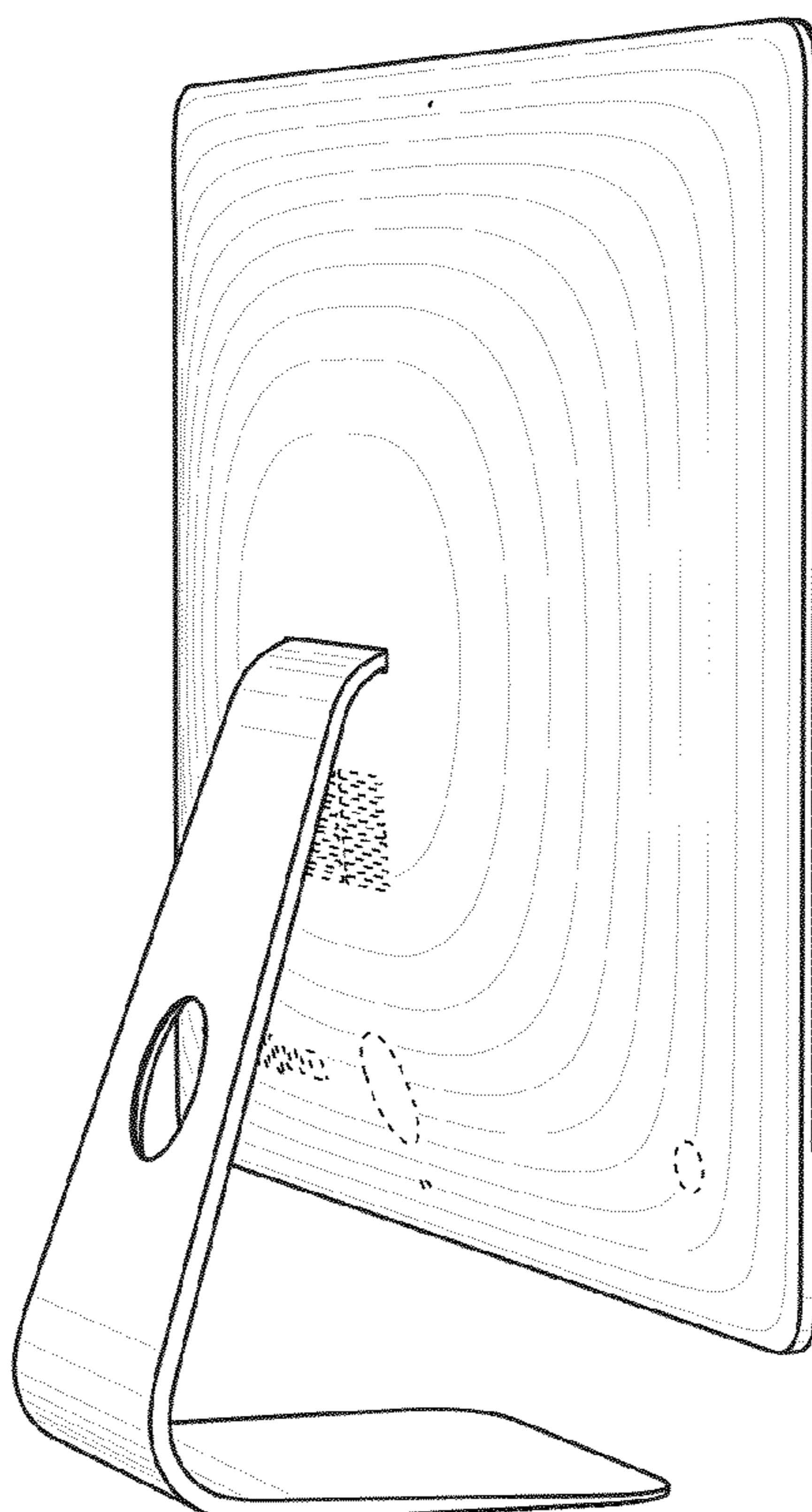


Fig. 3

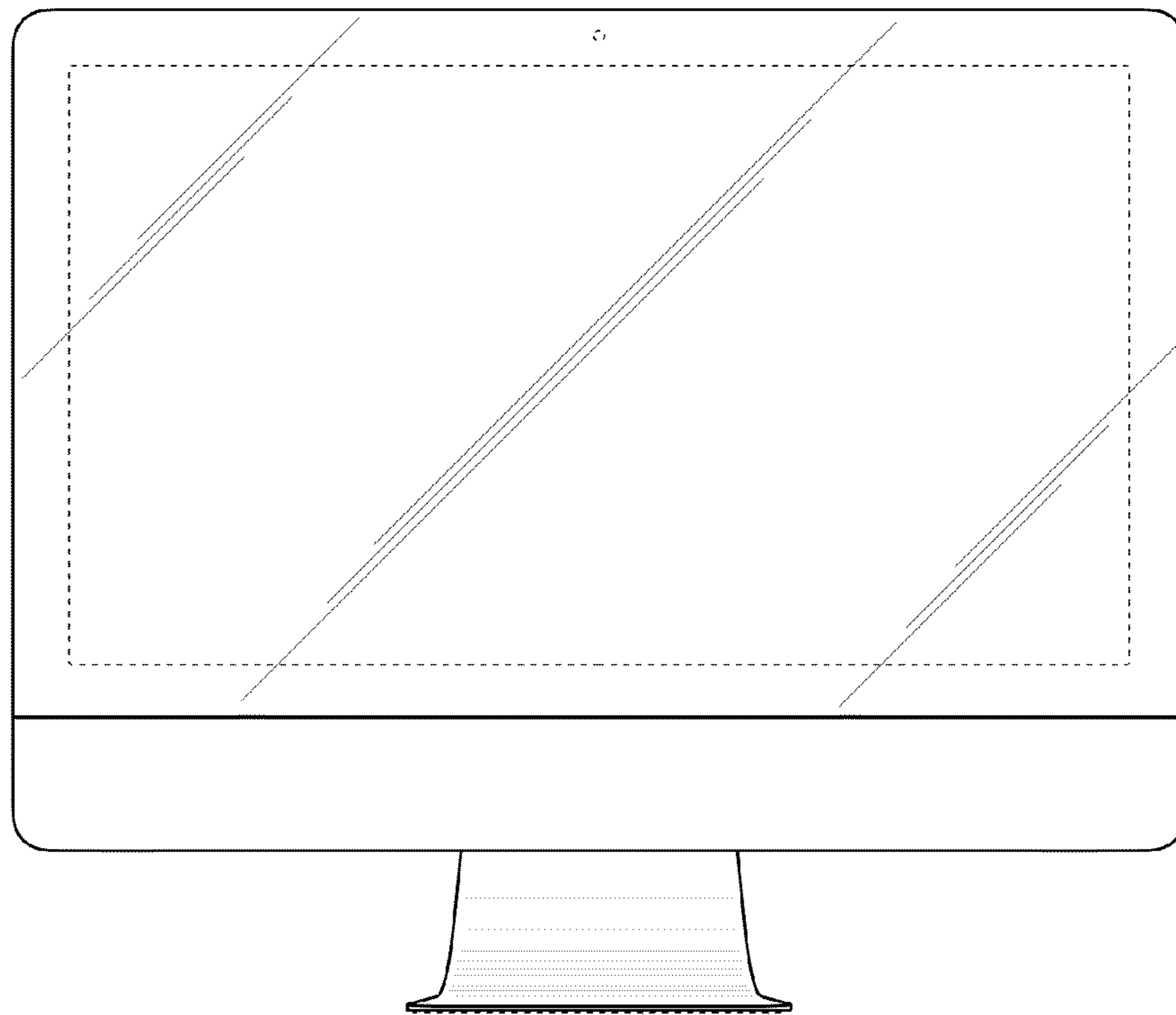


Fig. 4

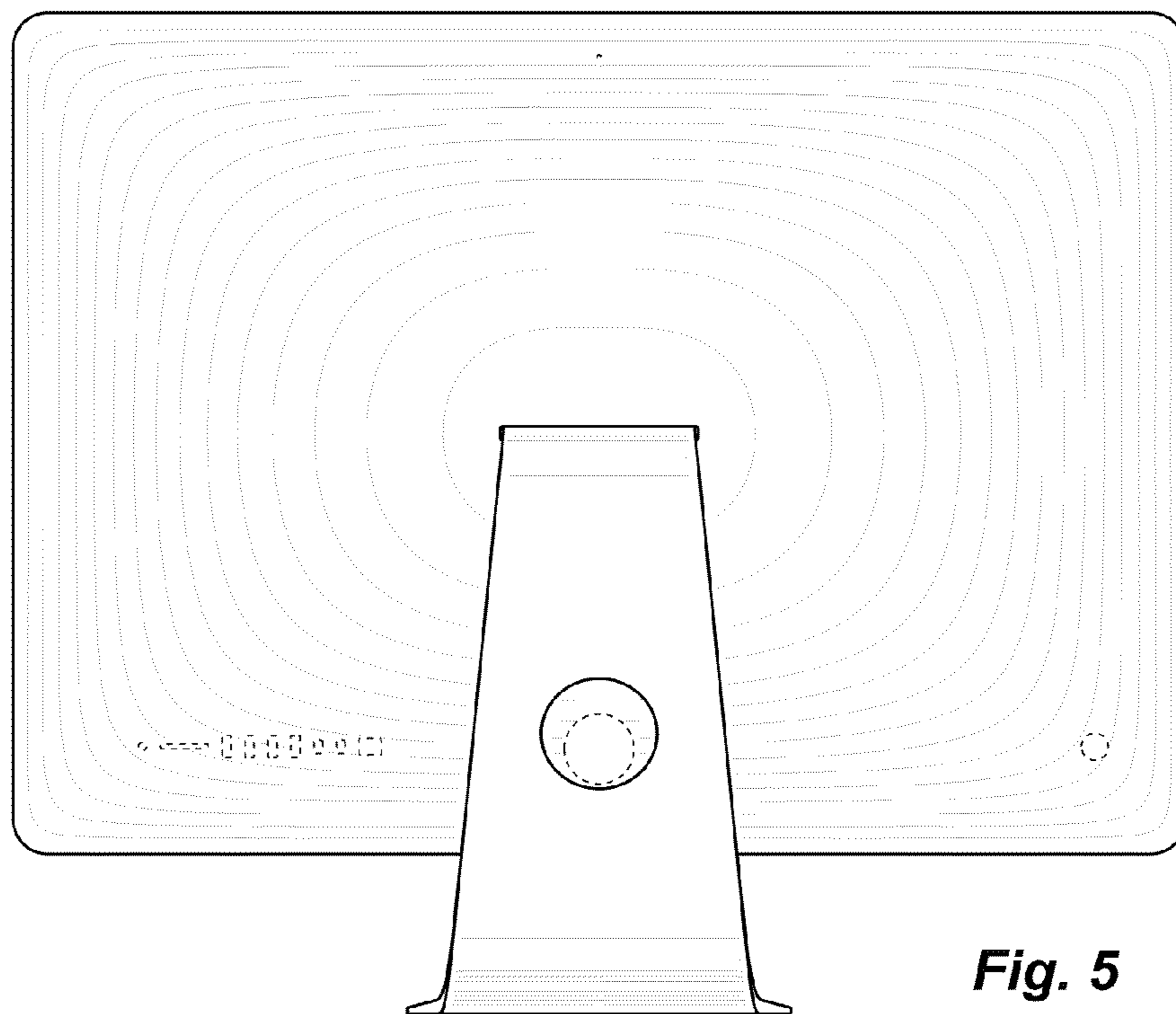


Fig. 5

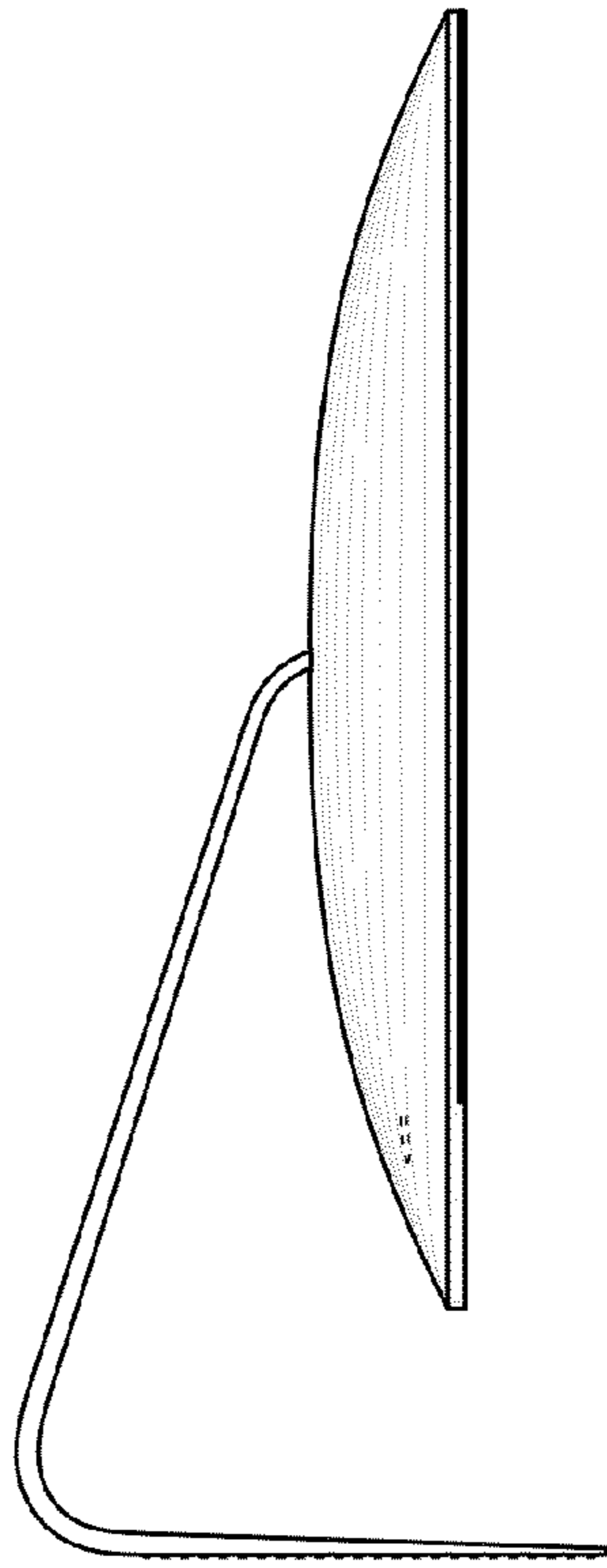


Fig. 6

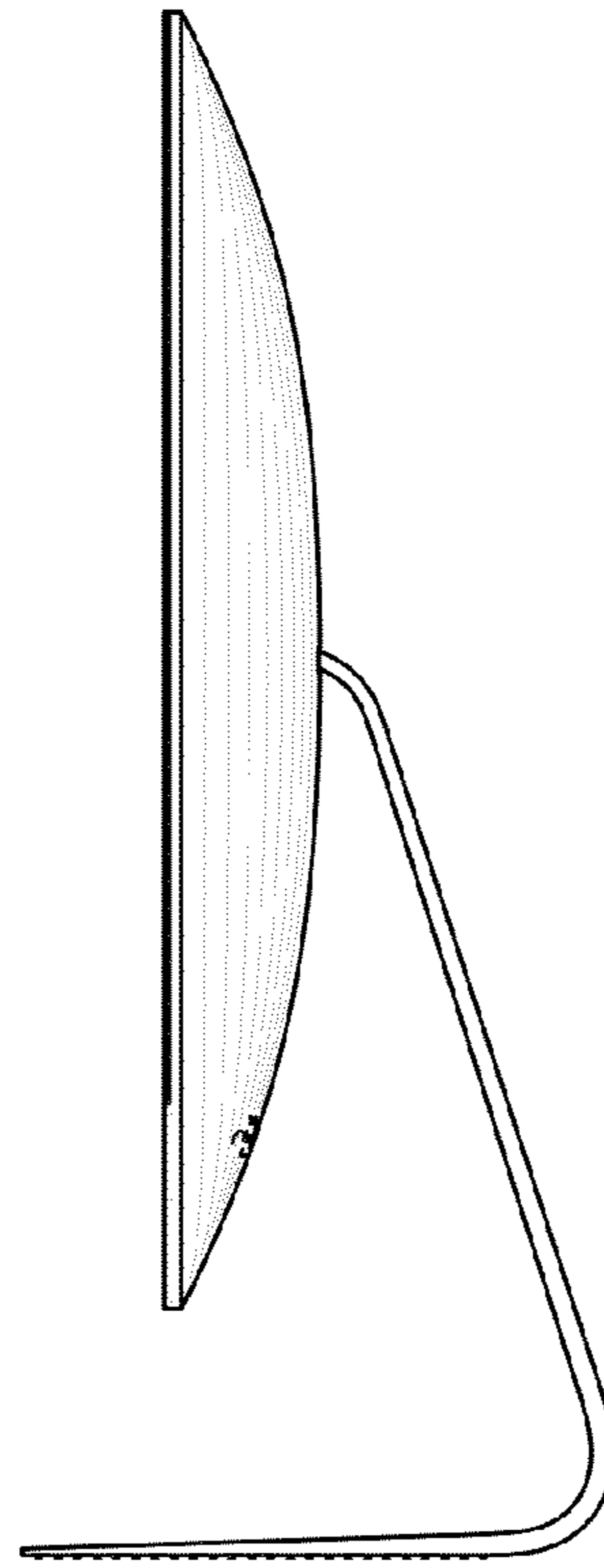


Fig. 7

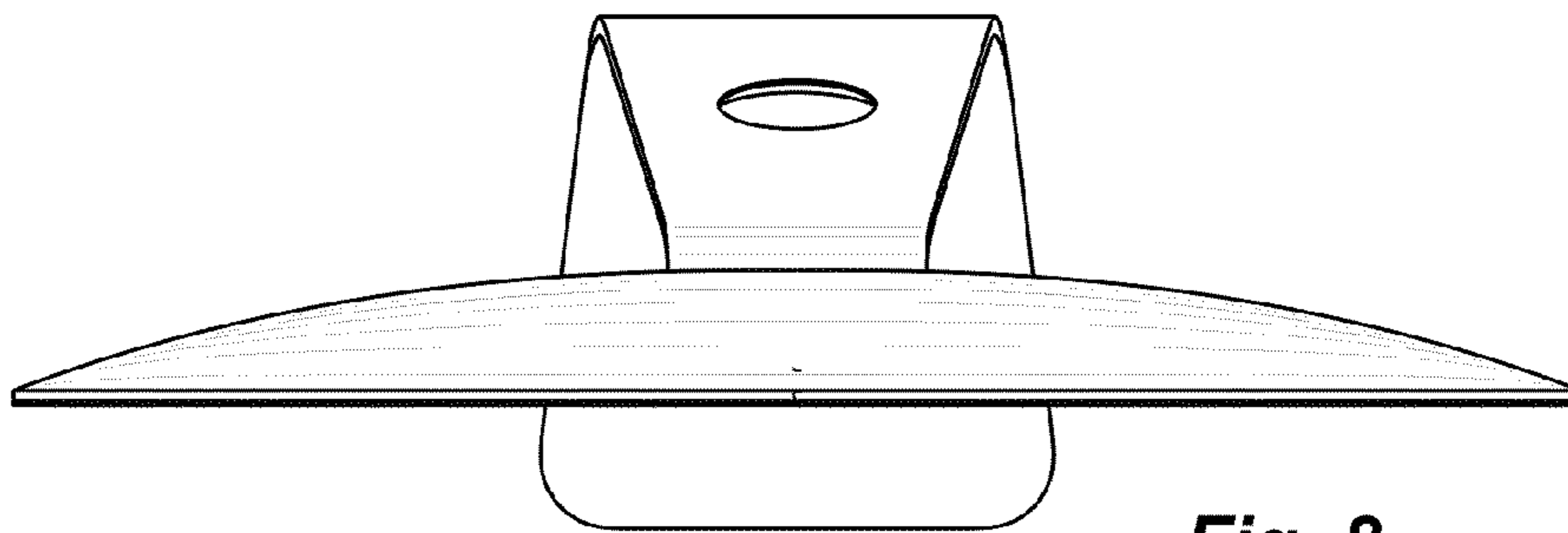


Fig. 8

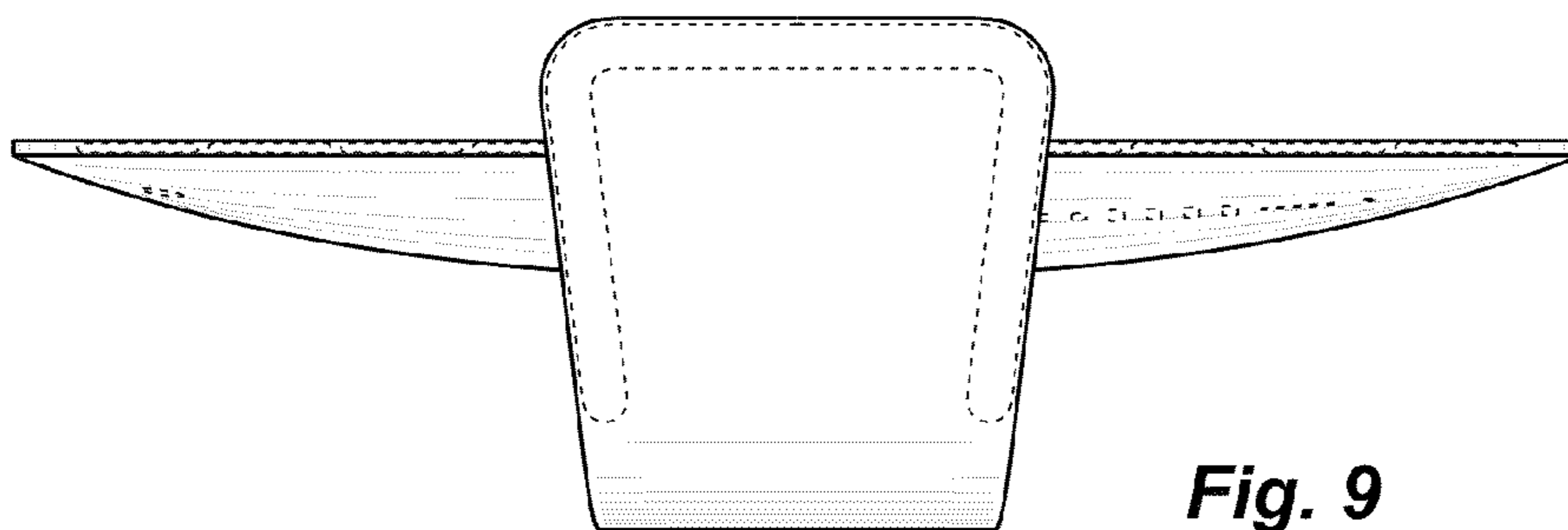


Fig. 9

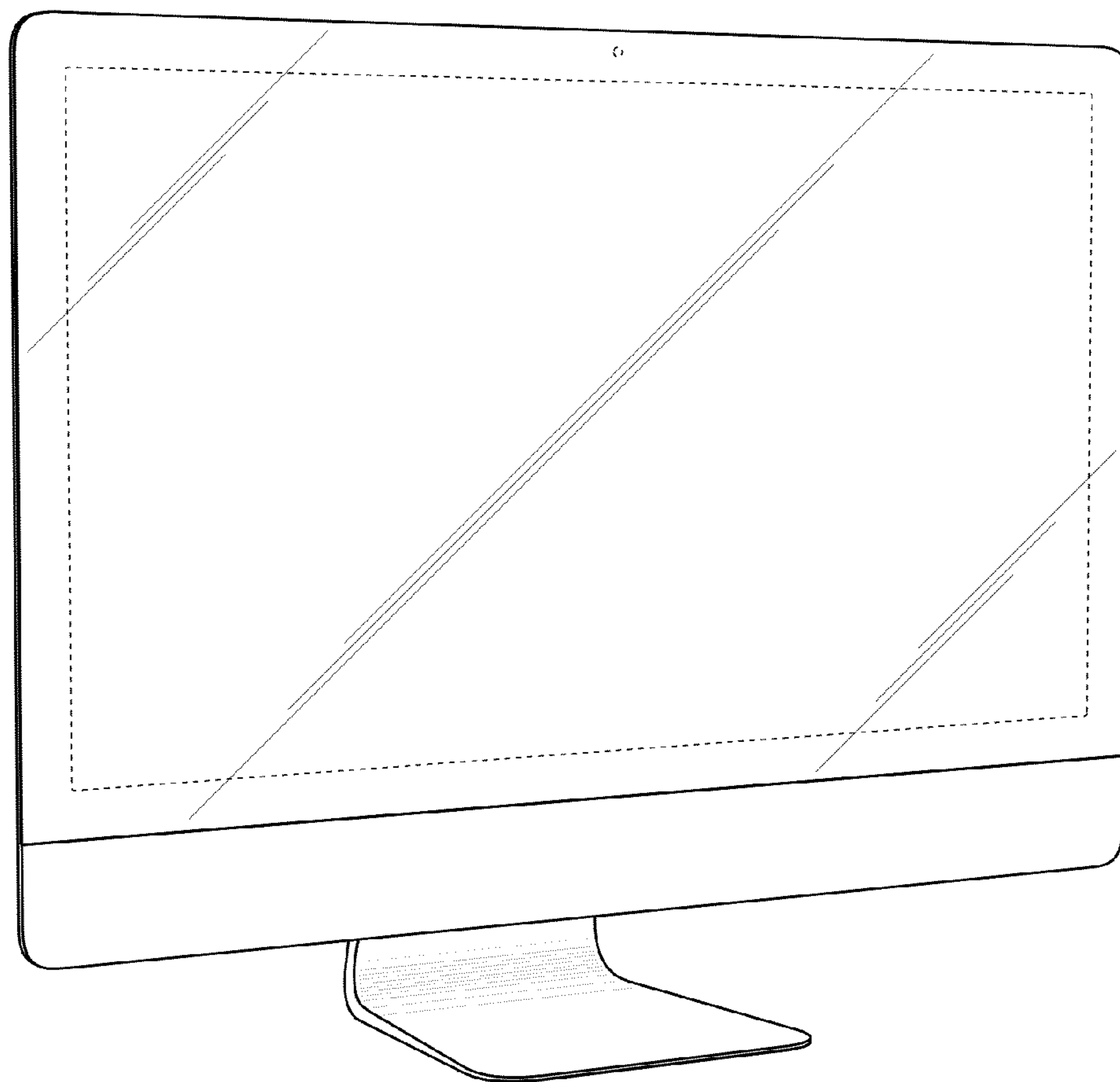


Fig. 10

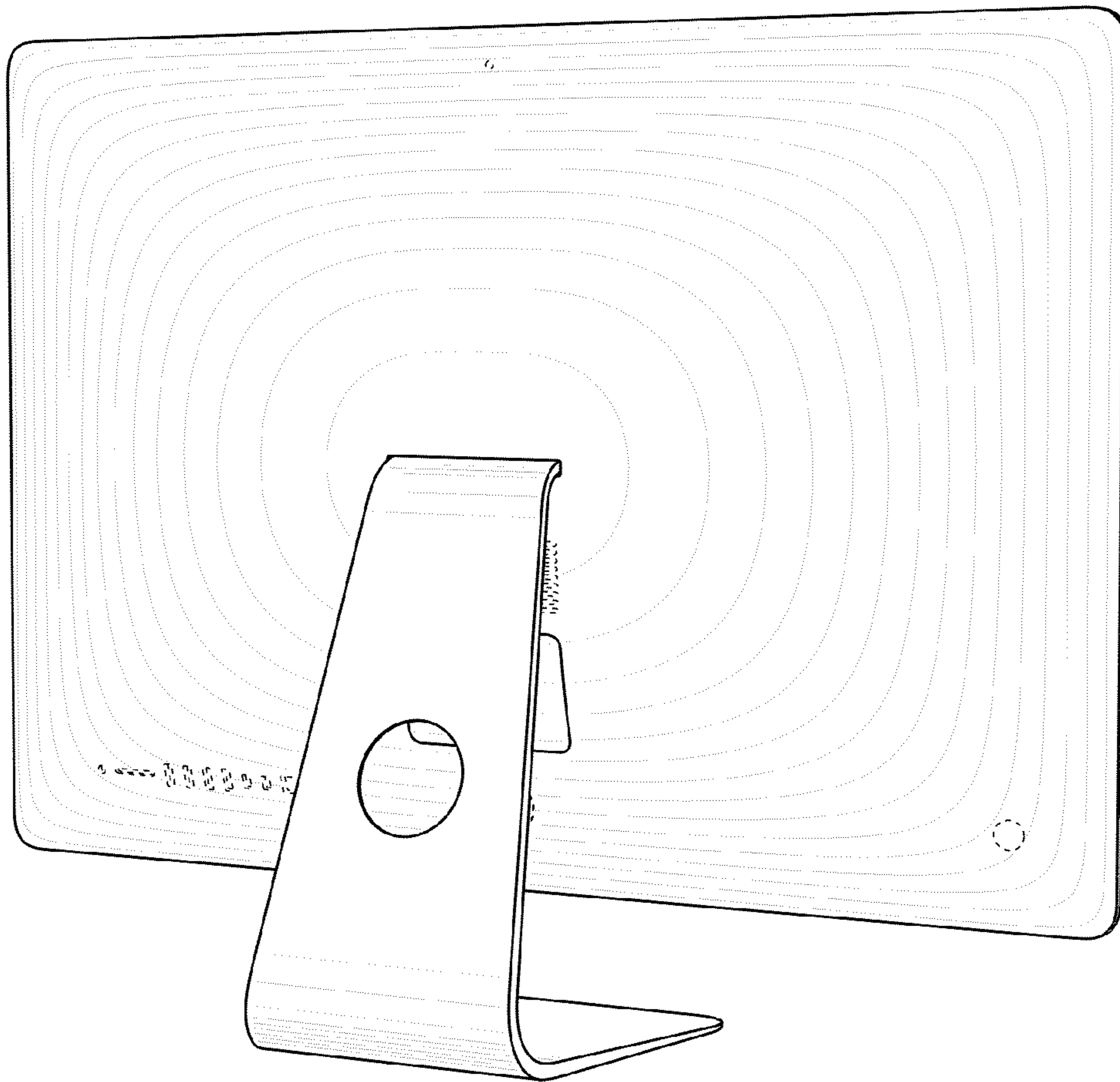


Fig. 11

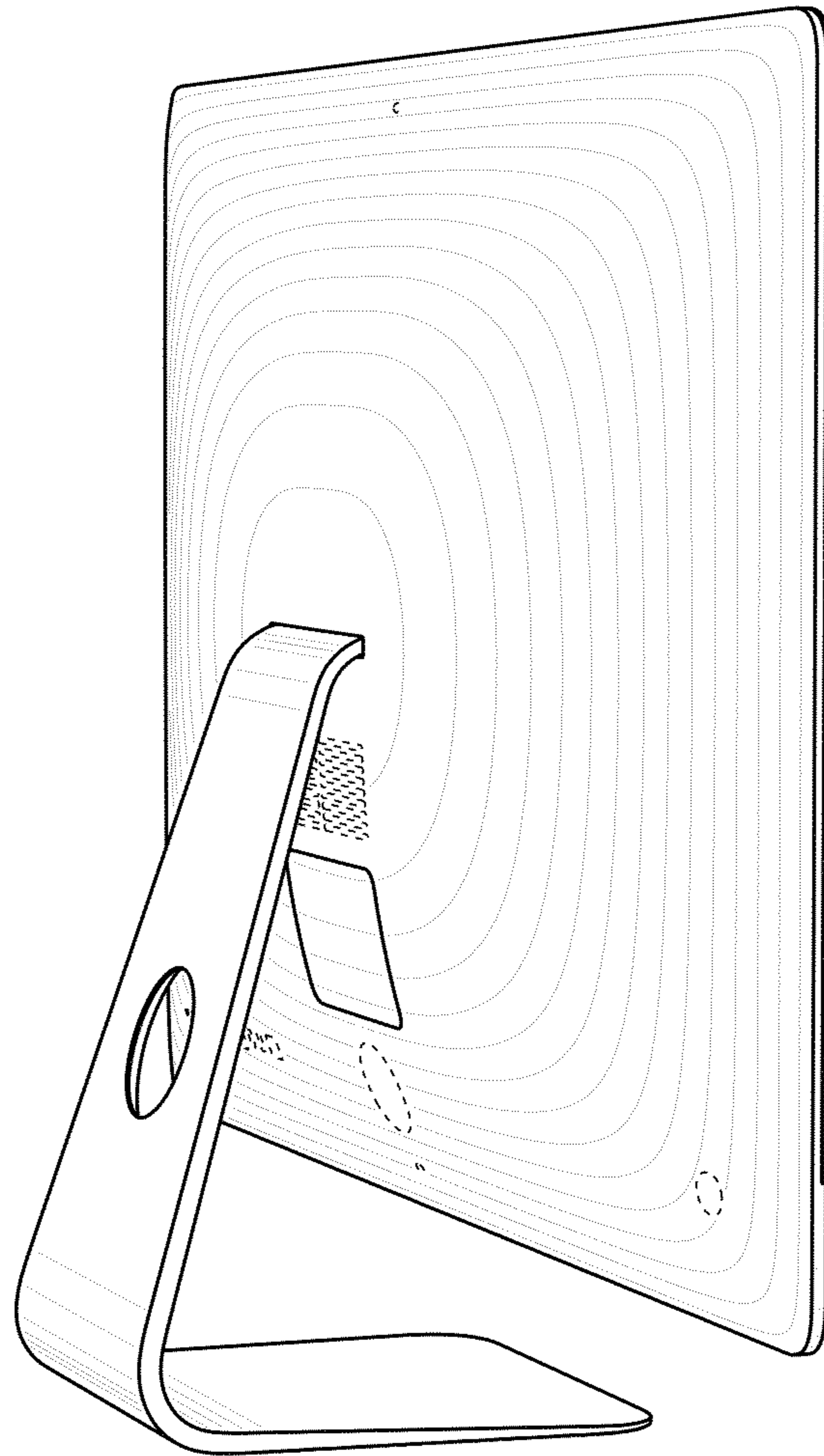


Fig. 12

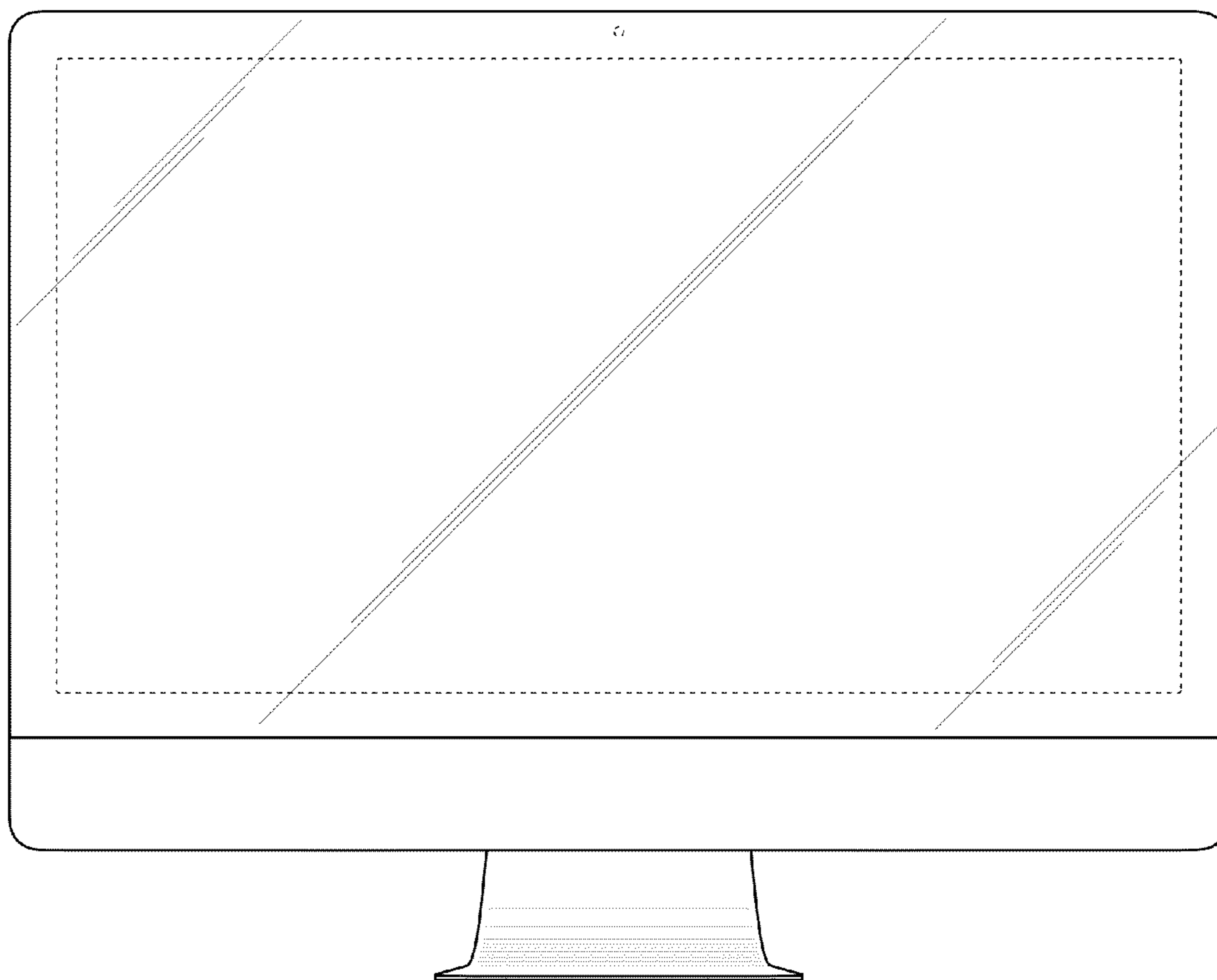


Fig. 13

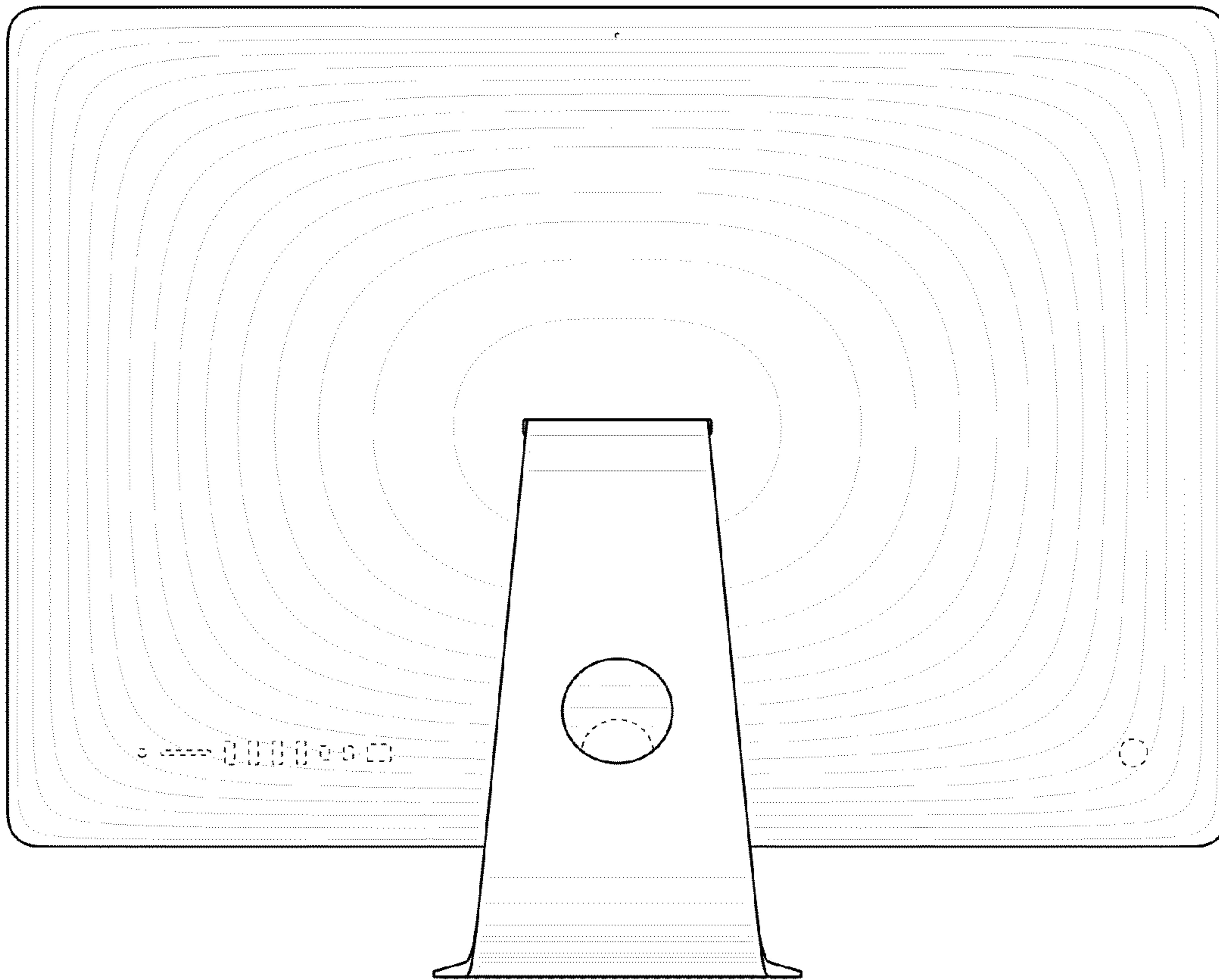


Fig. 14

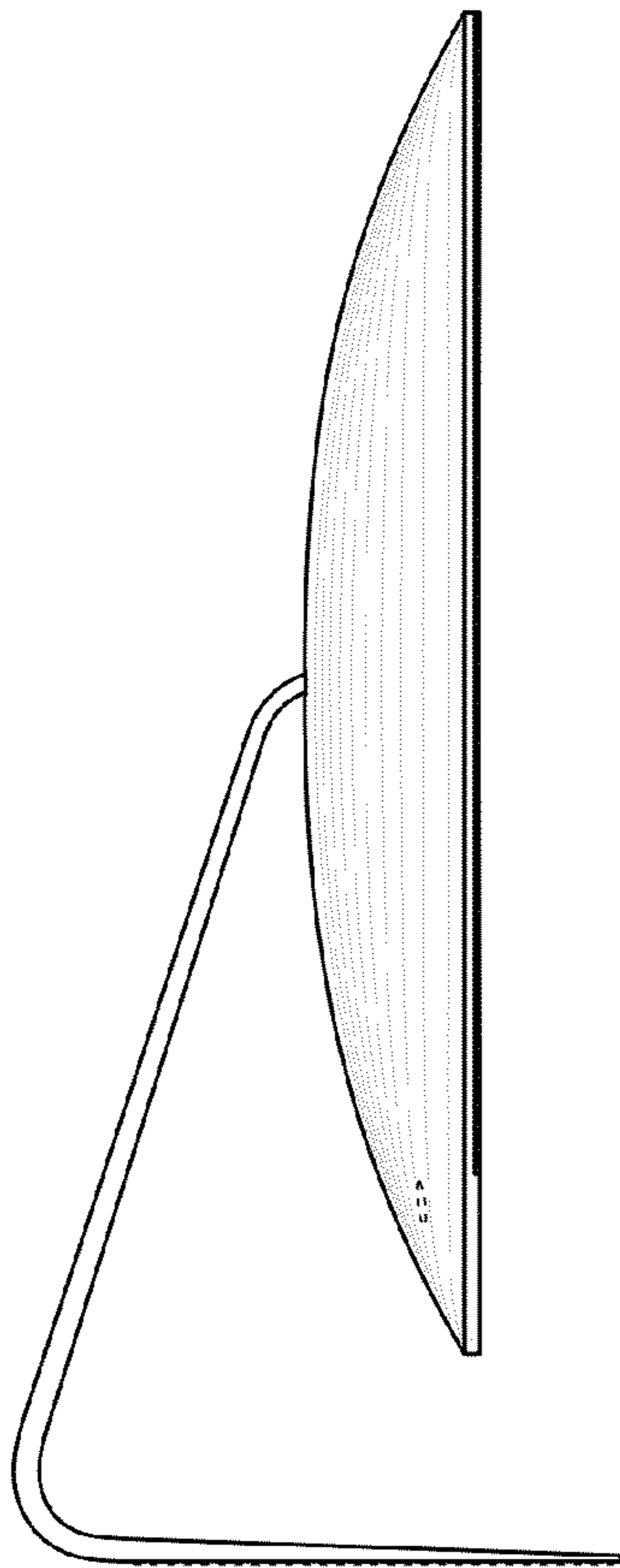


Fig. 15

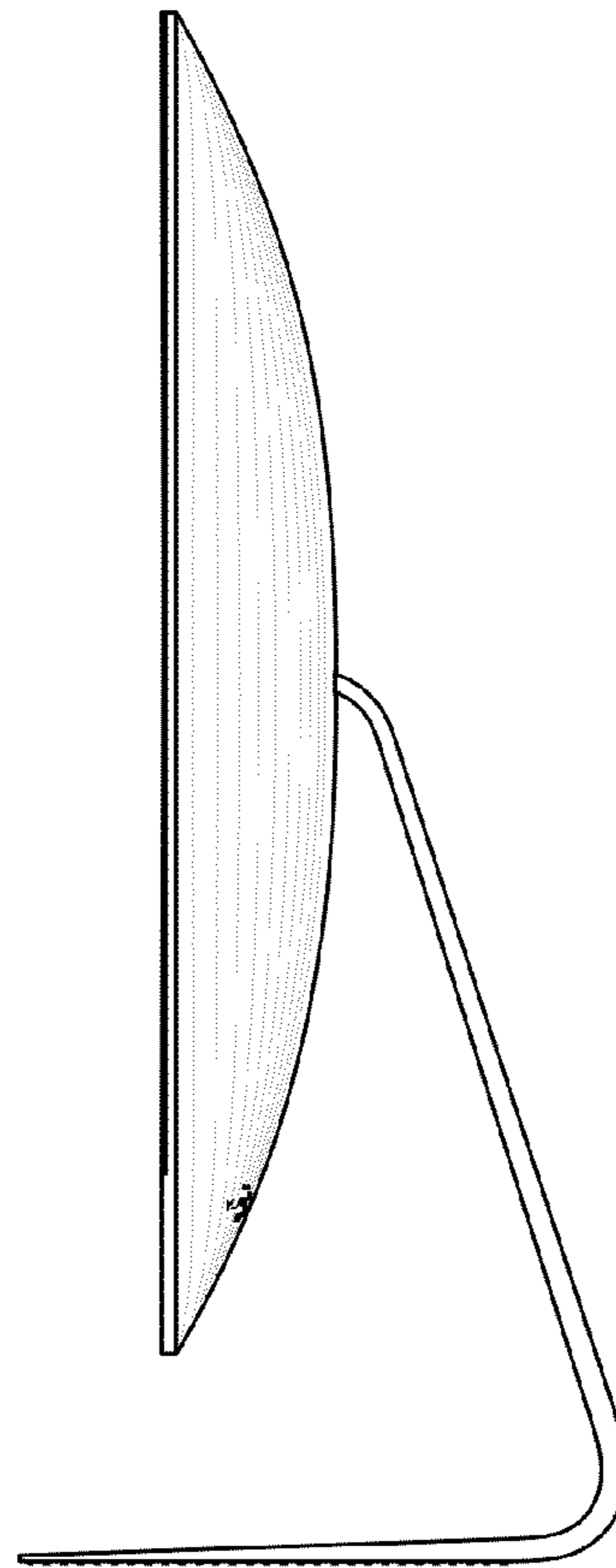


Fig. 16

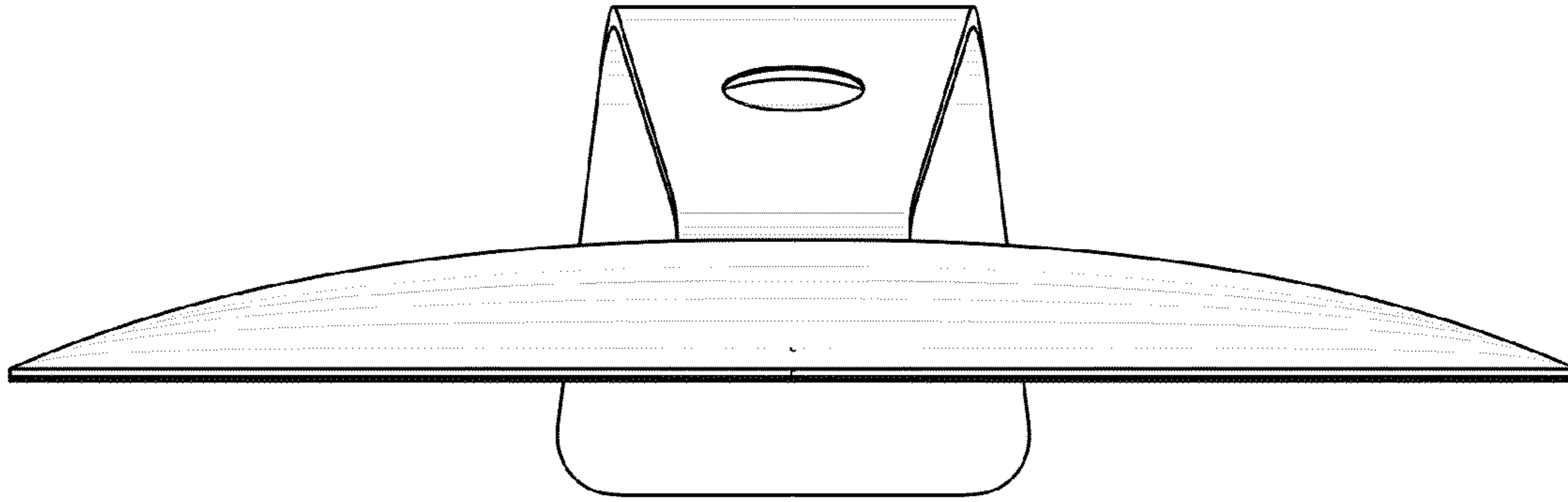


Fig. 17

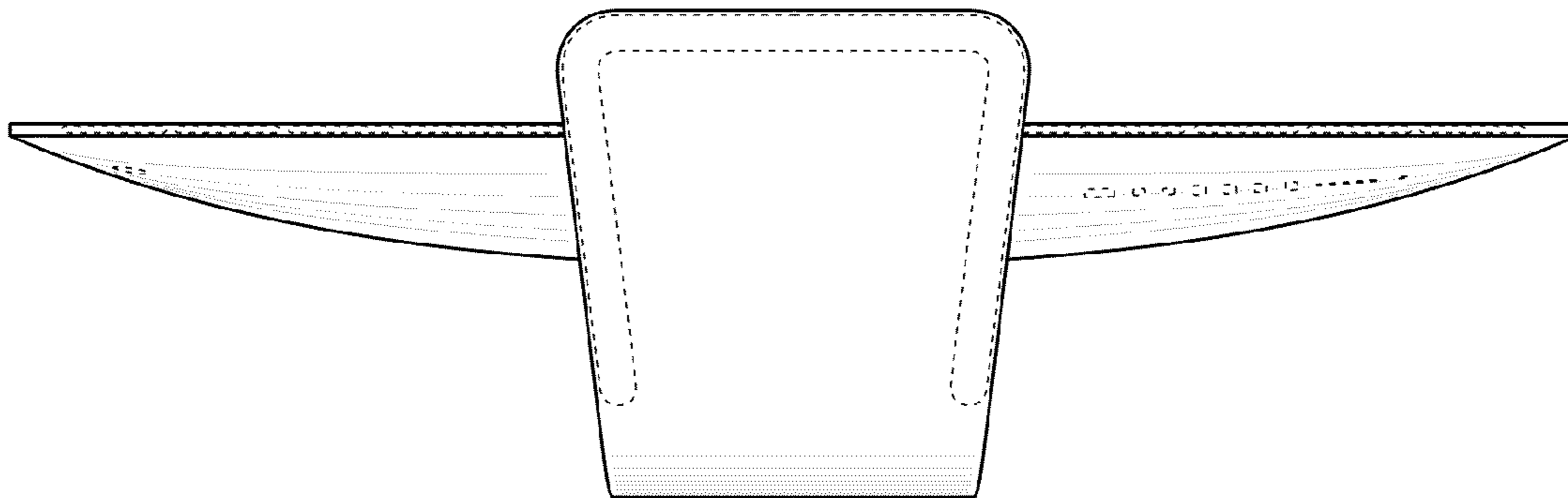


Fig. 18

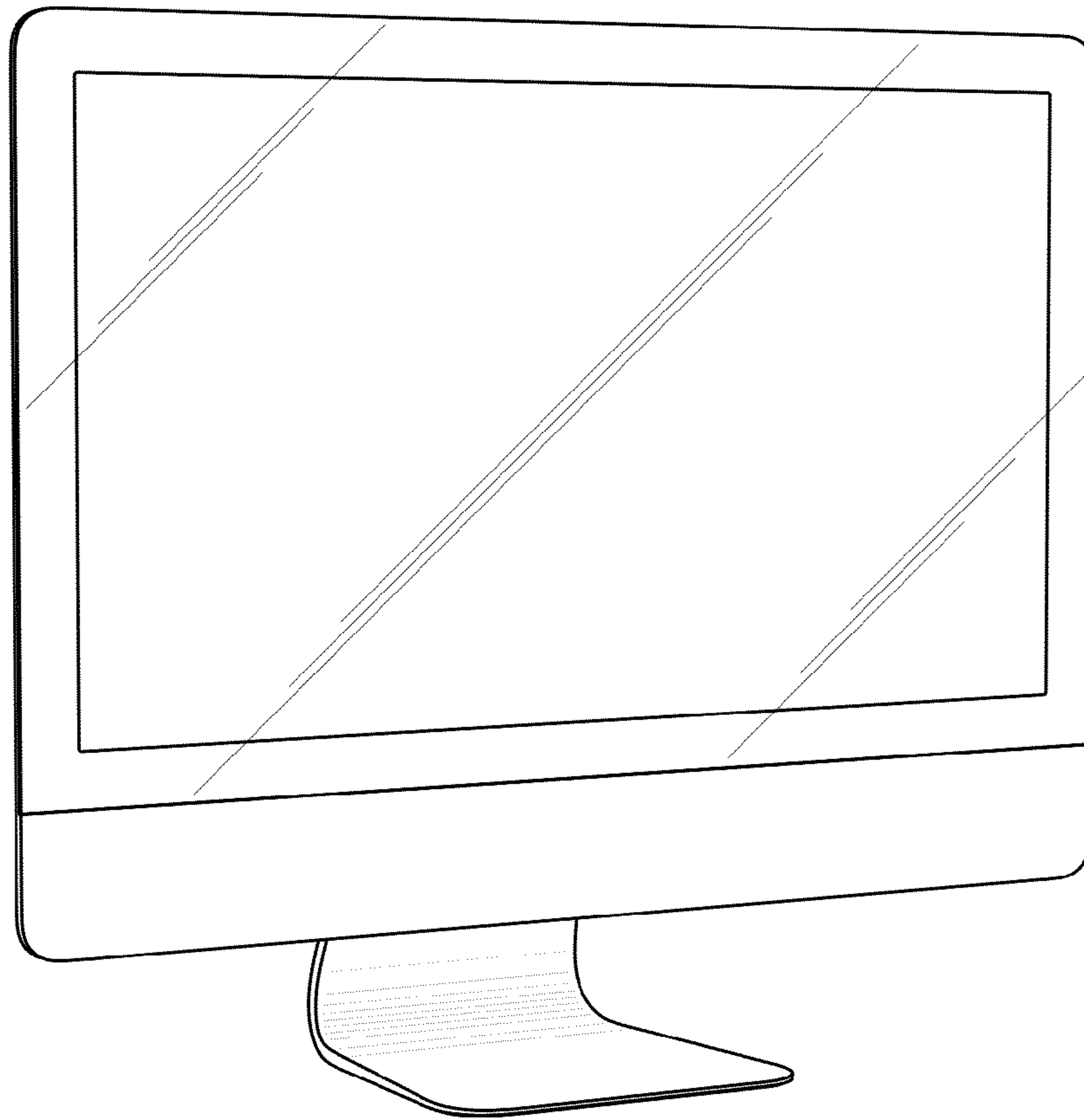


Fig. 19

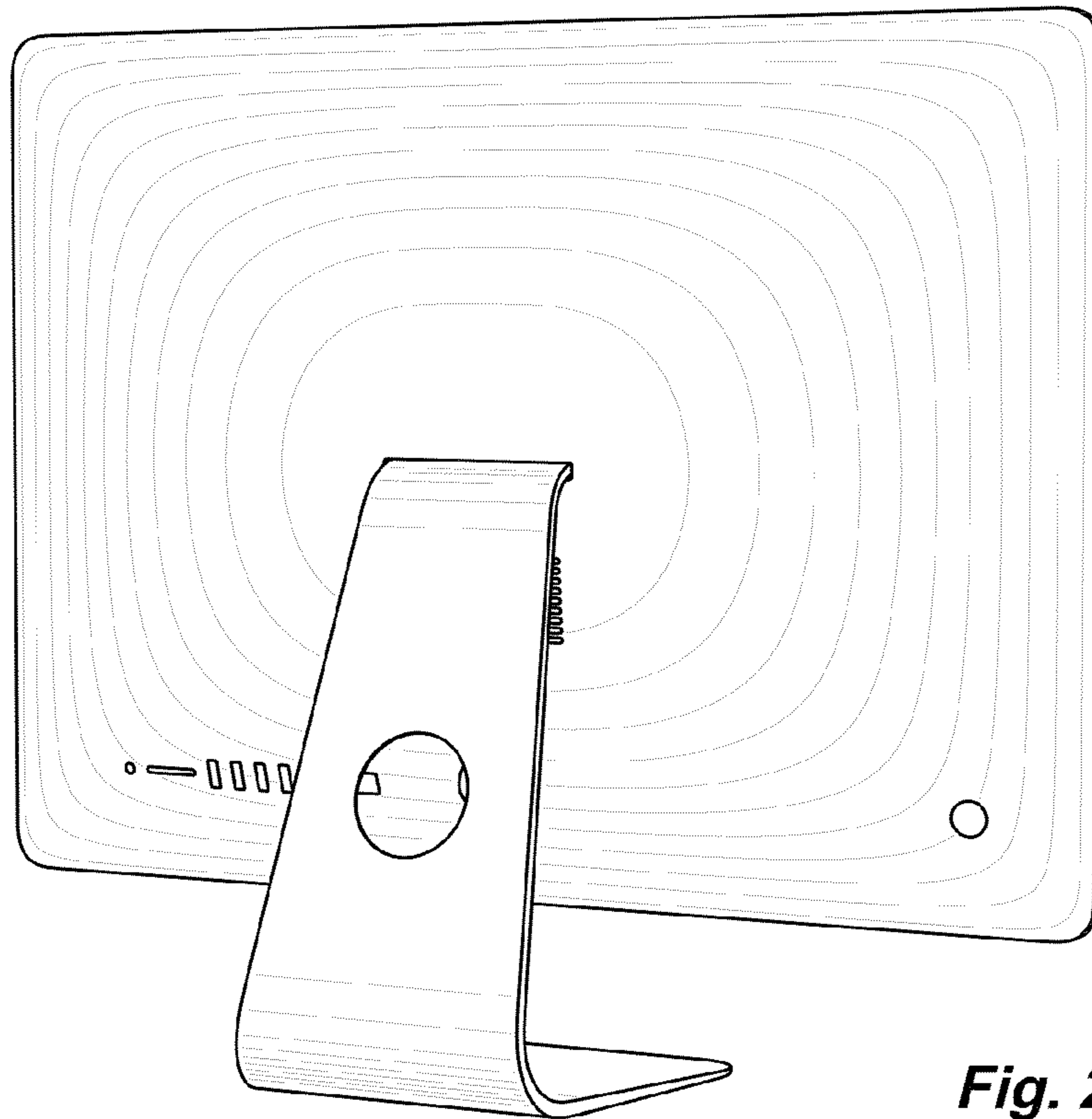


Fig. 20

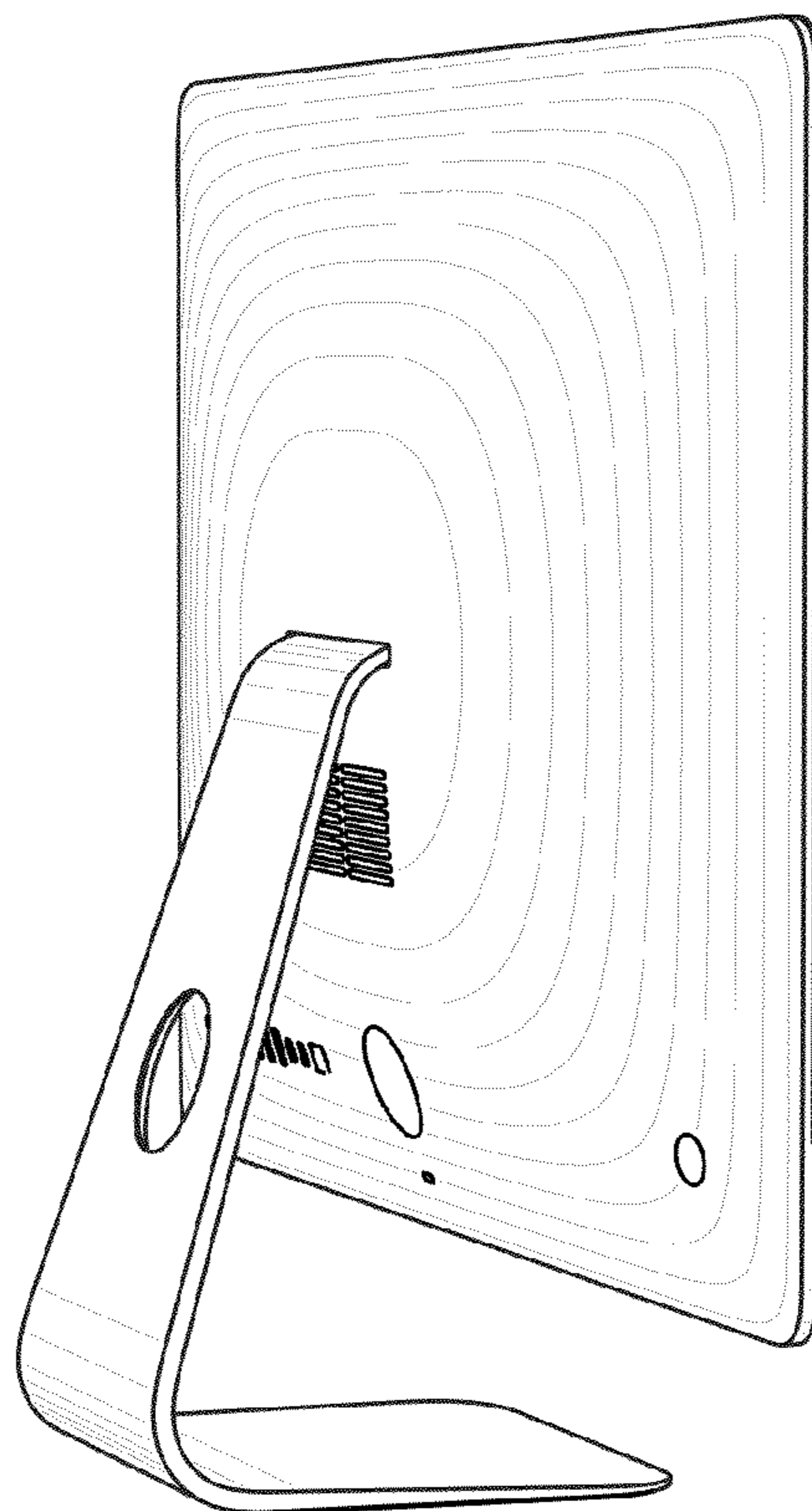


Fig. 21

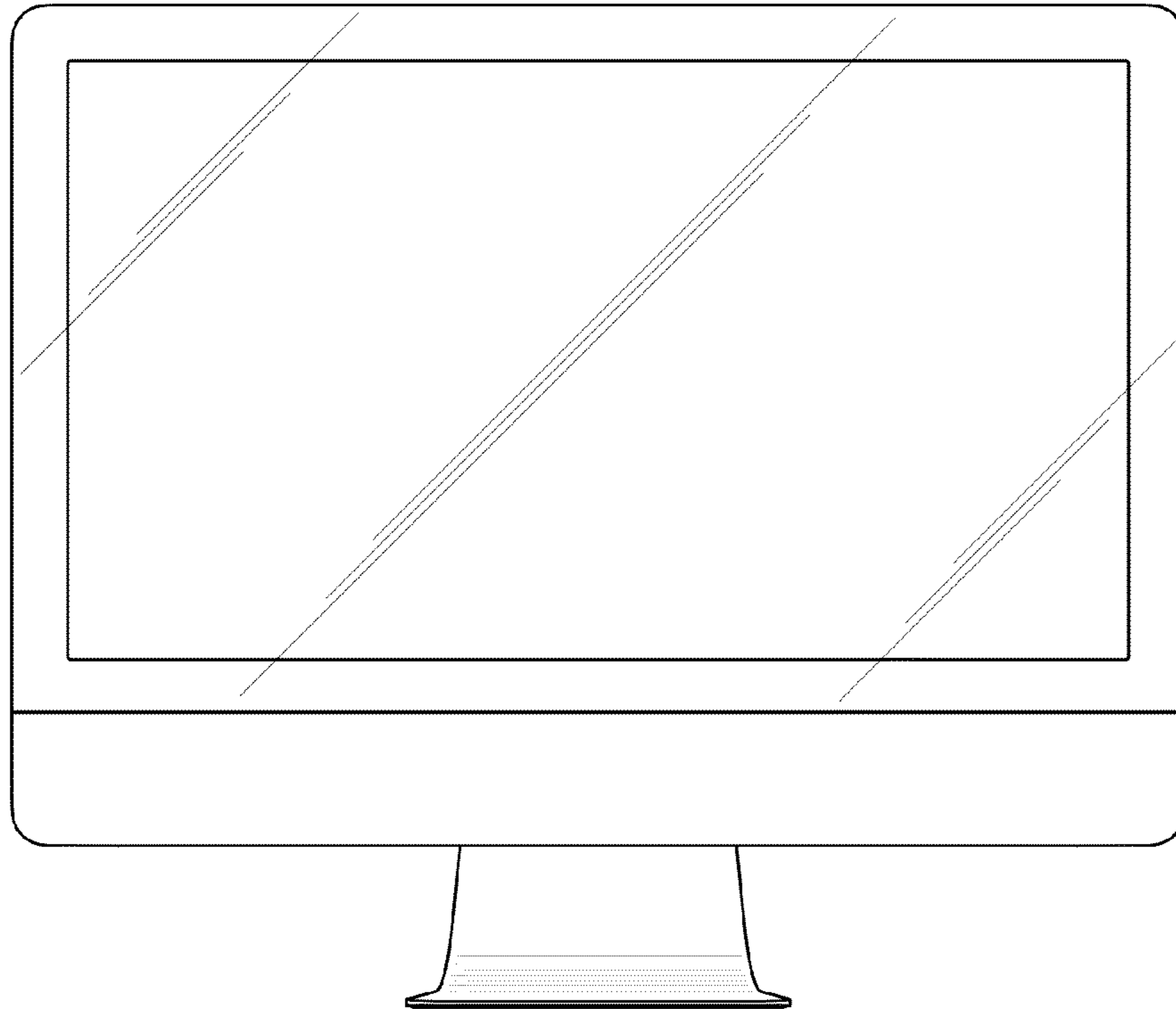


Fig. 22

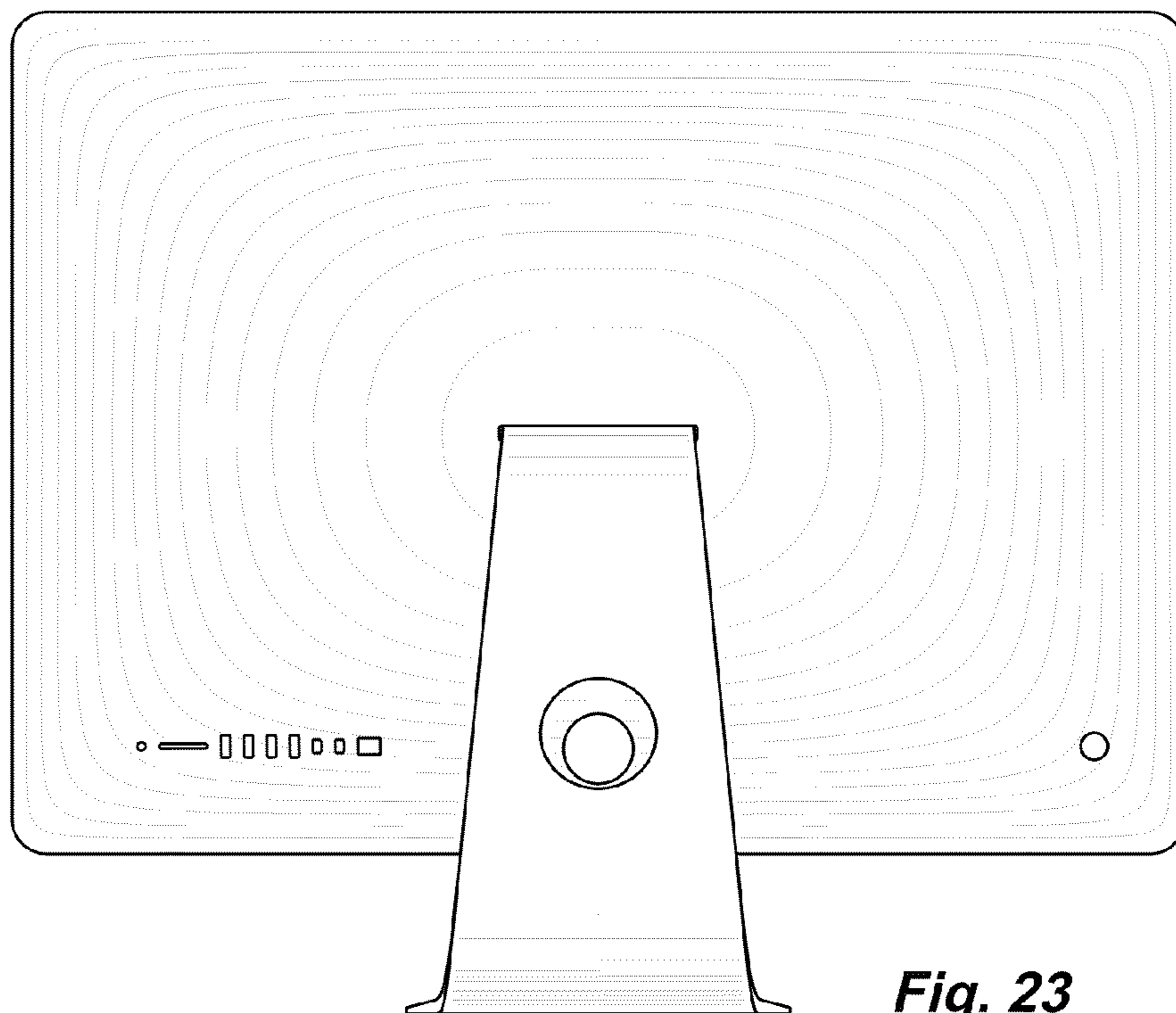


Fig. 23

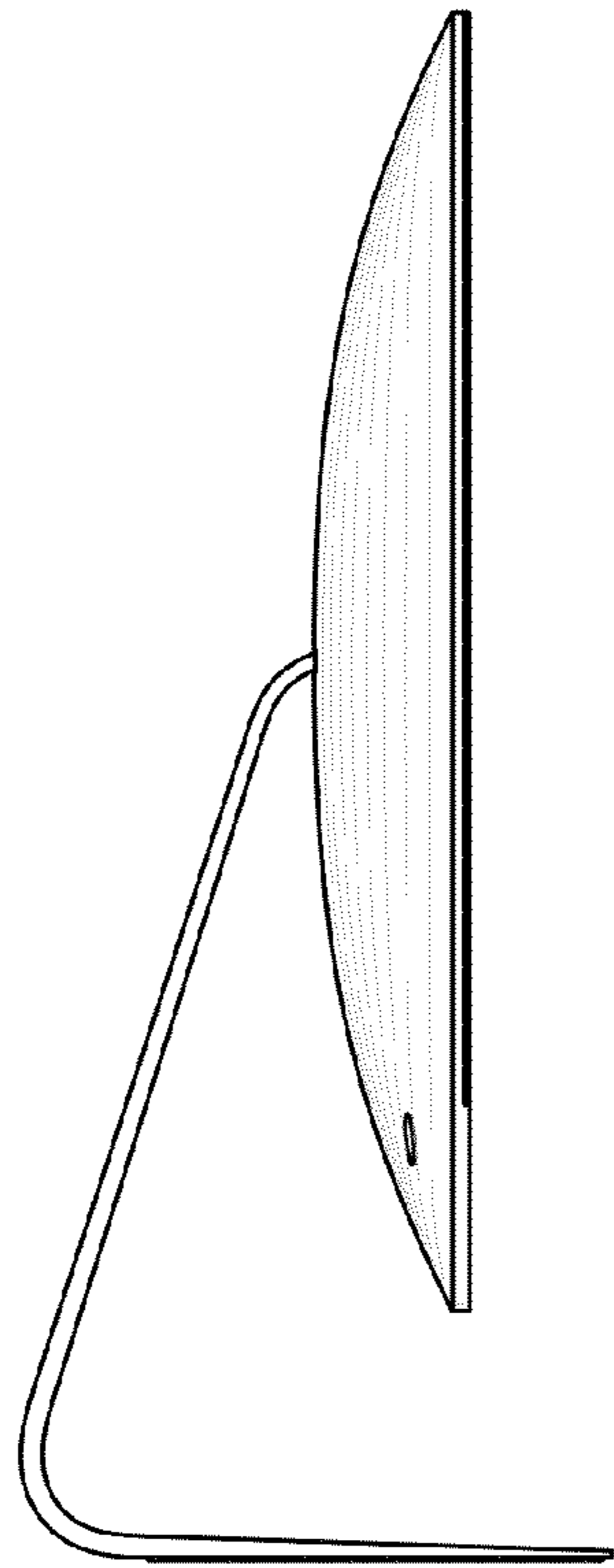


Fig. 24

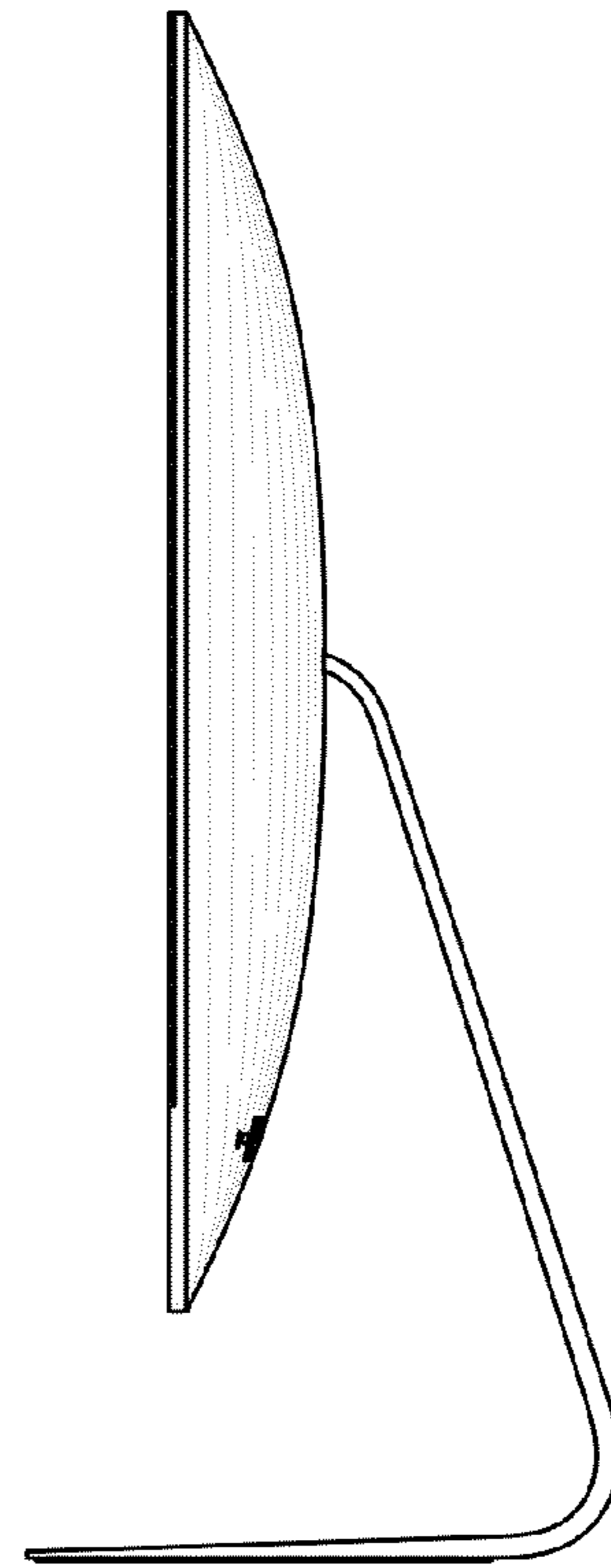


Fig. 25

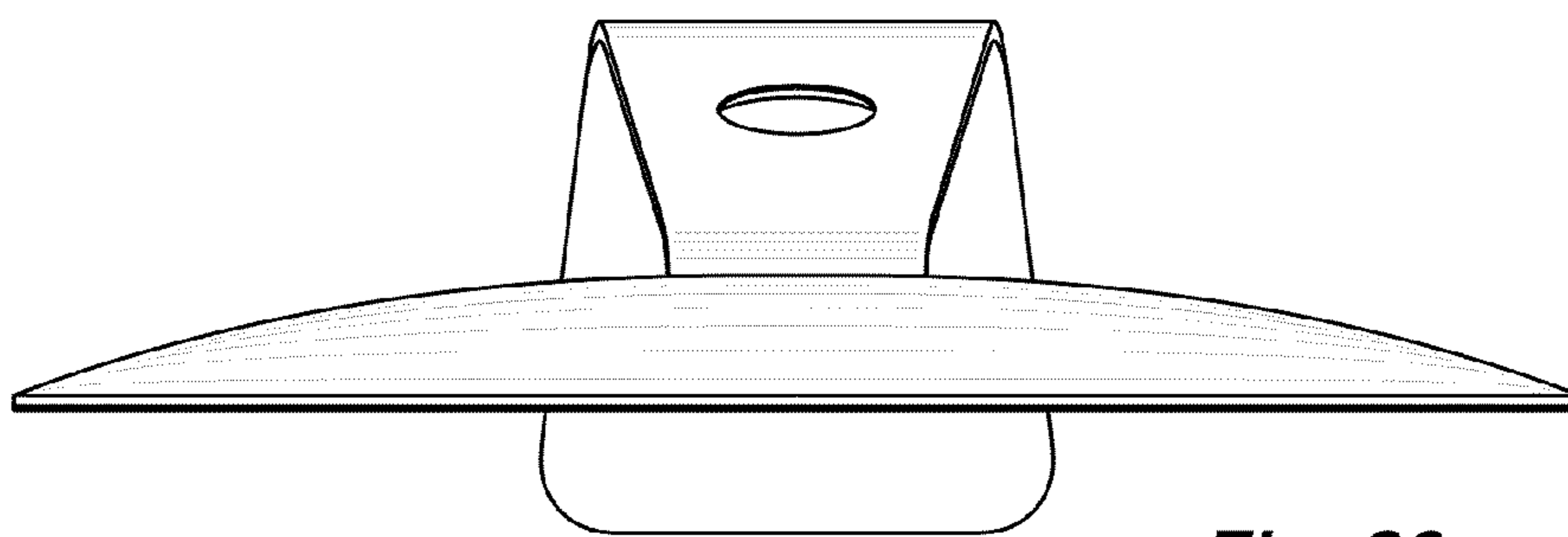


Fig. 26

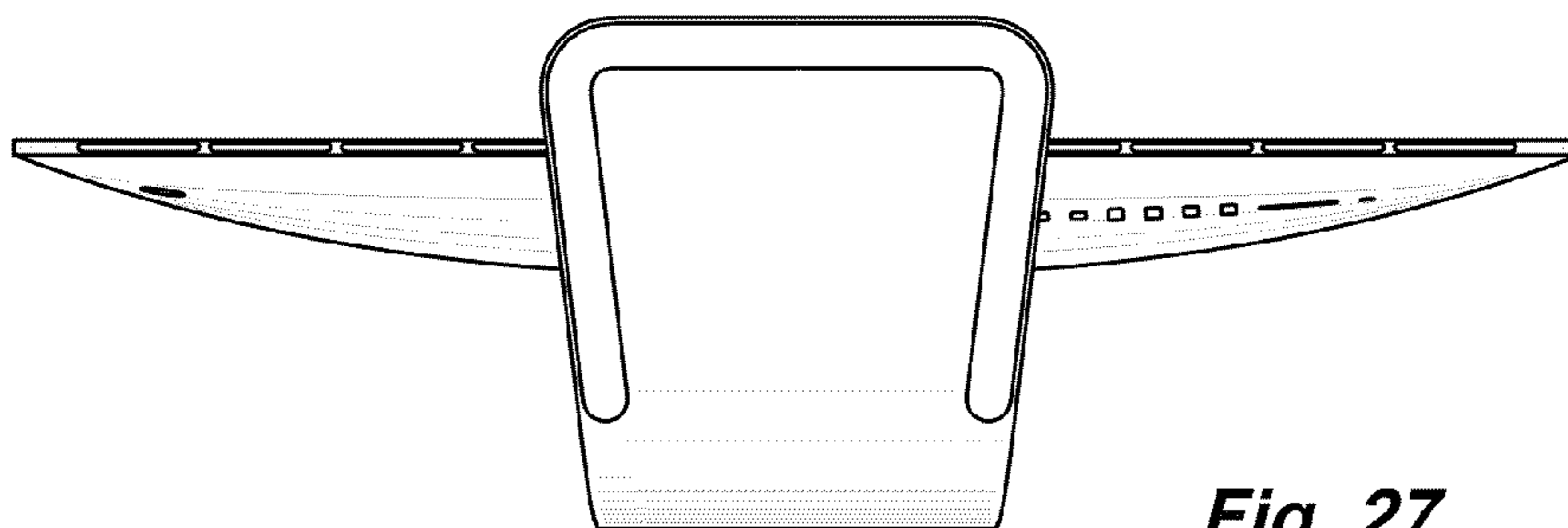


Fig. 27

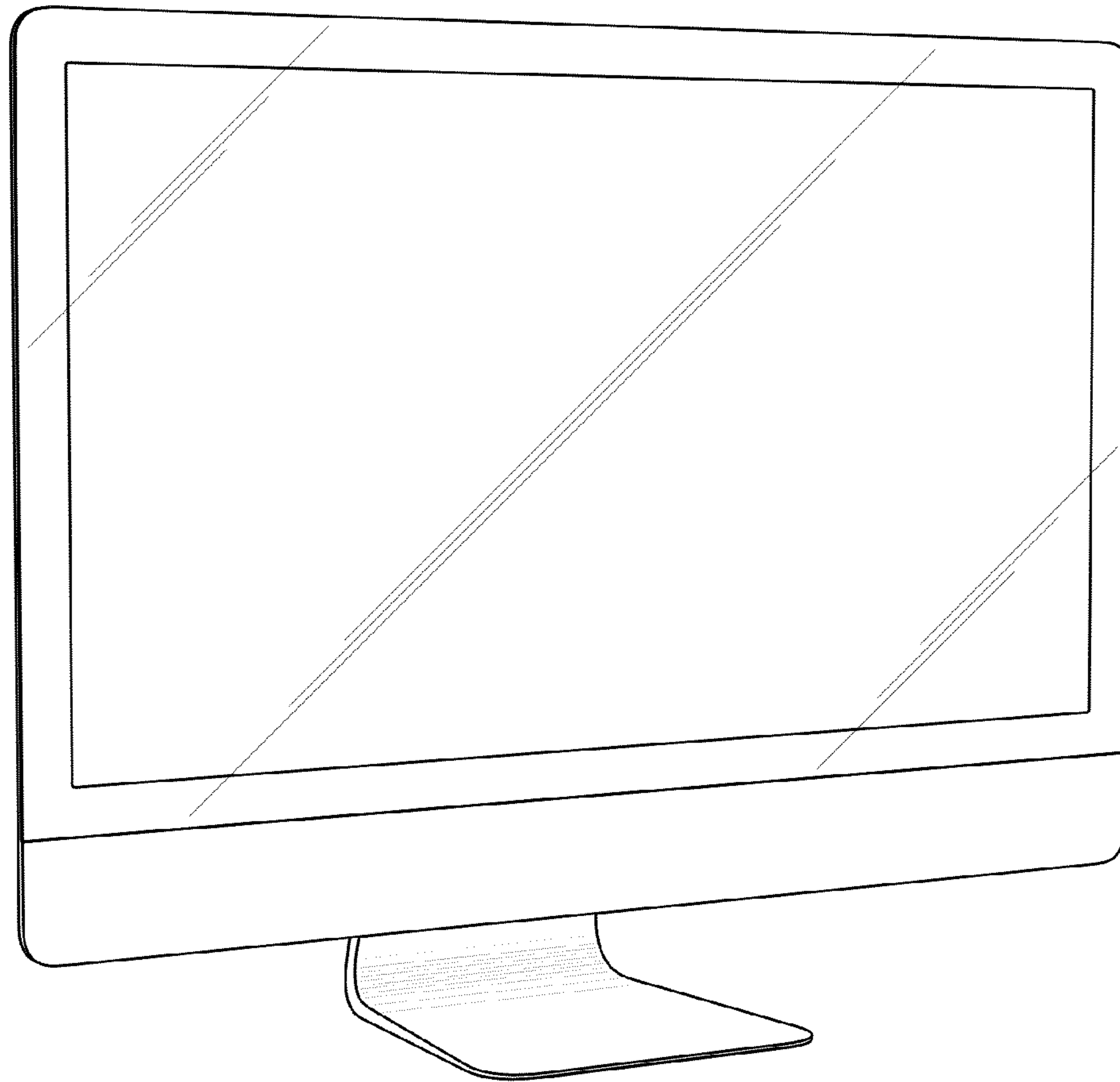


Fig. 28

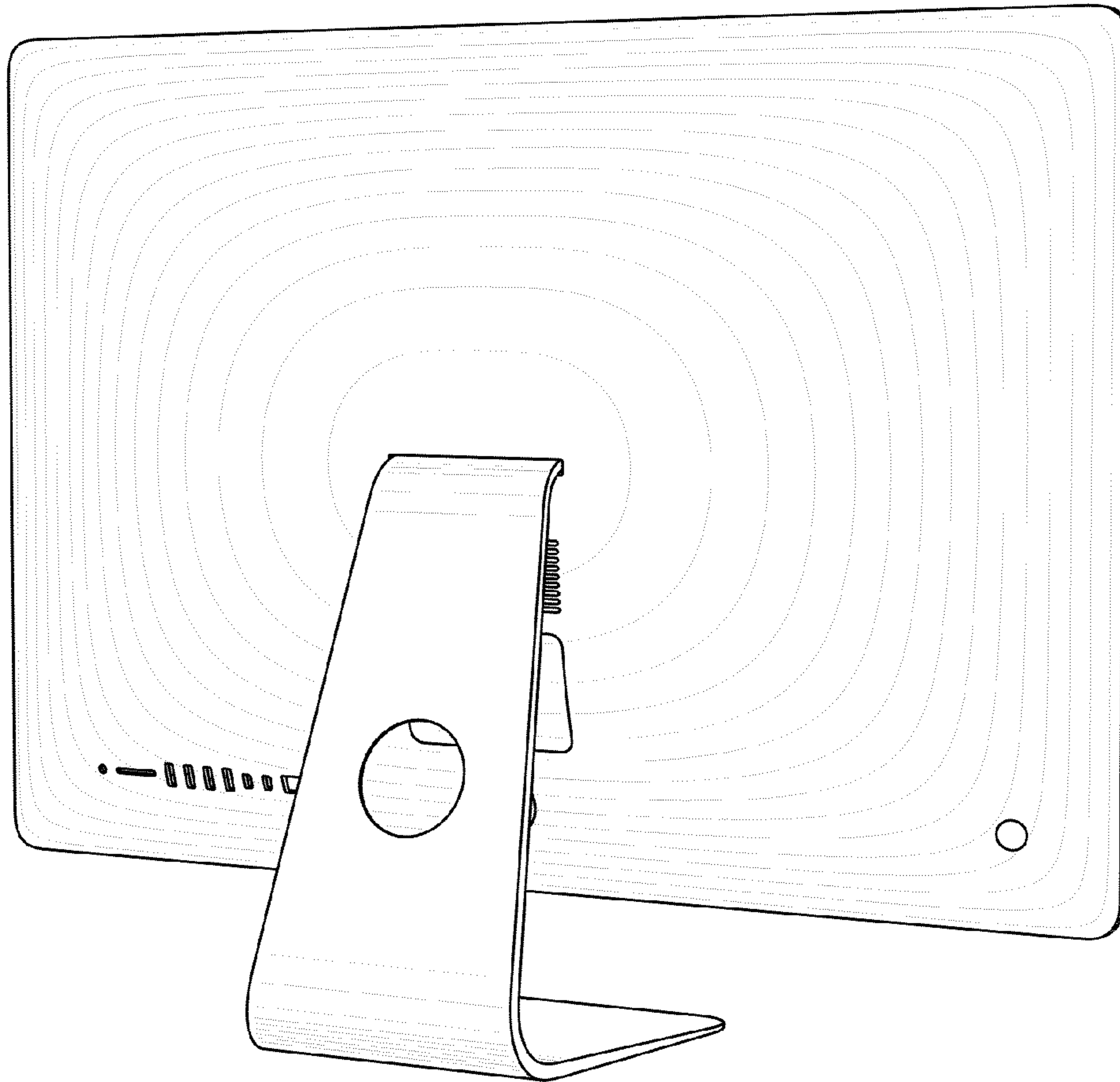


Fig. 29

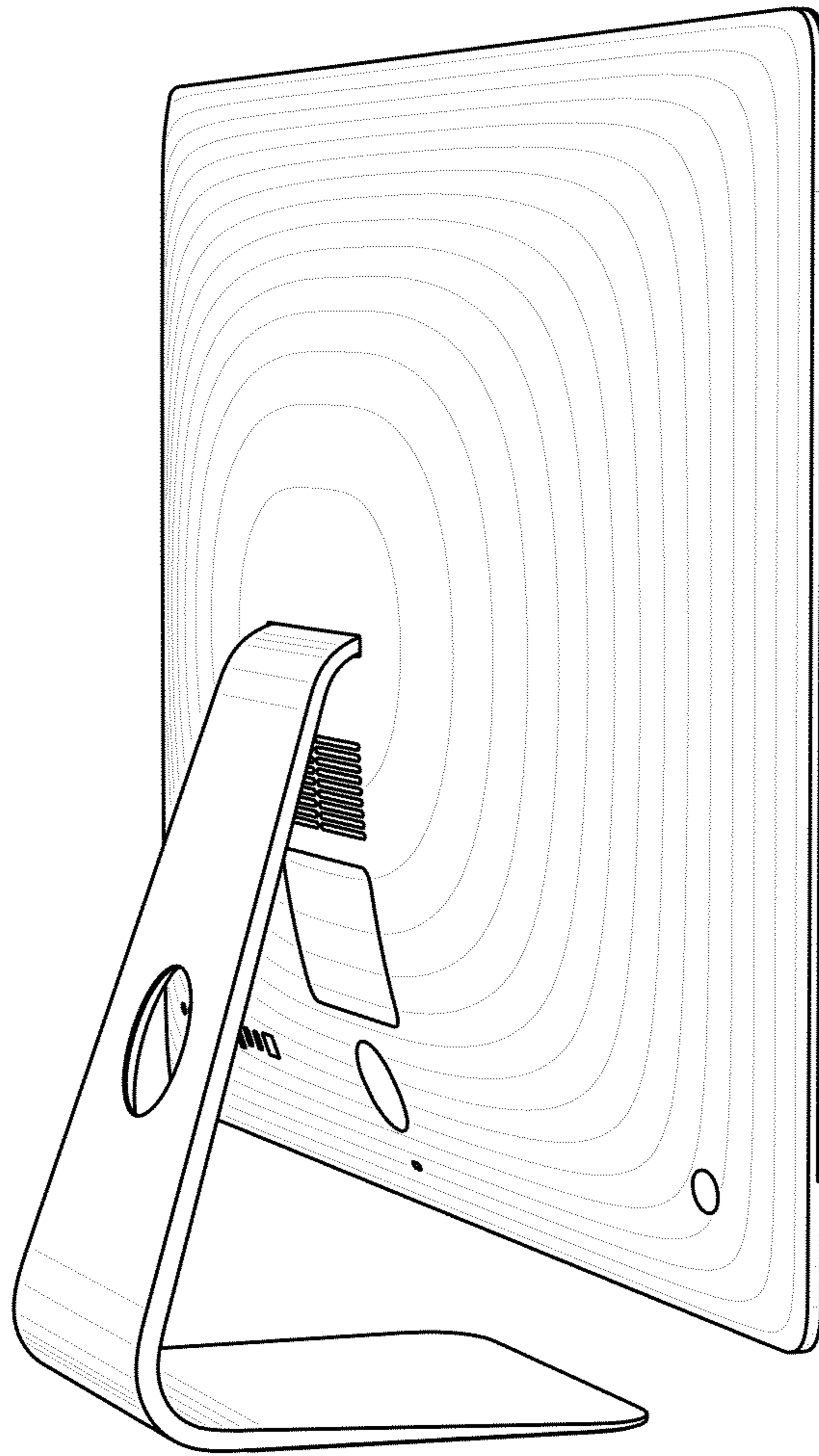


Fig. 30

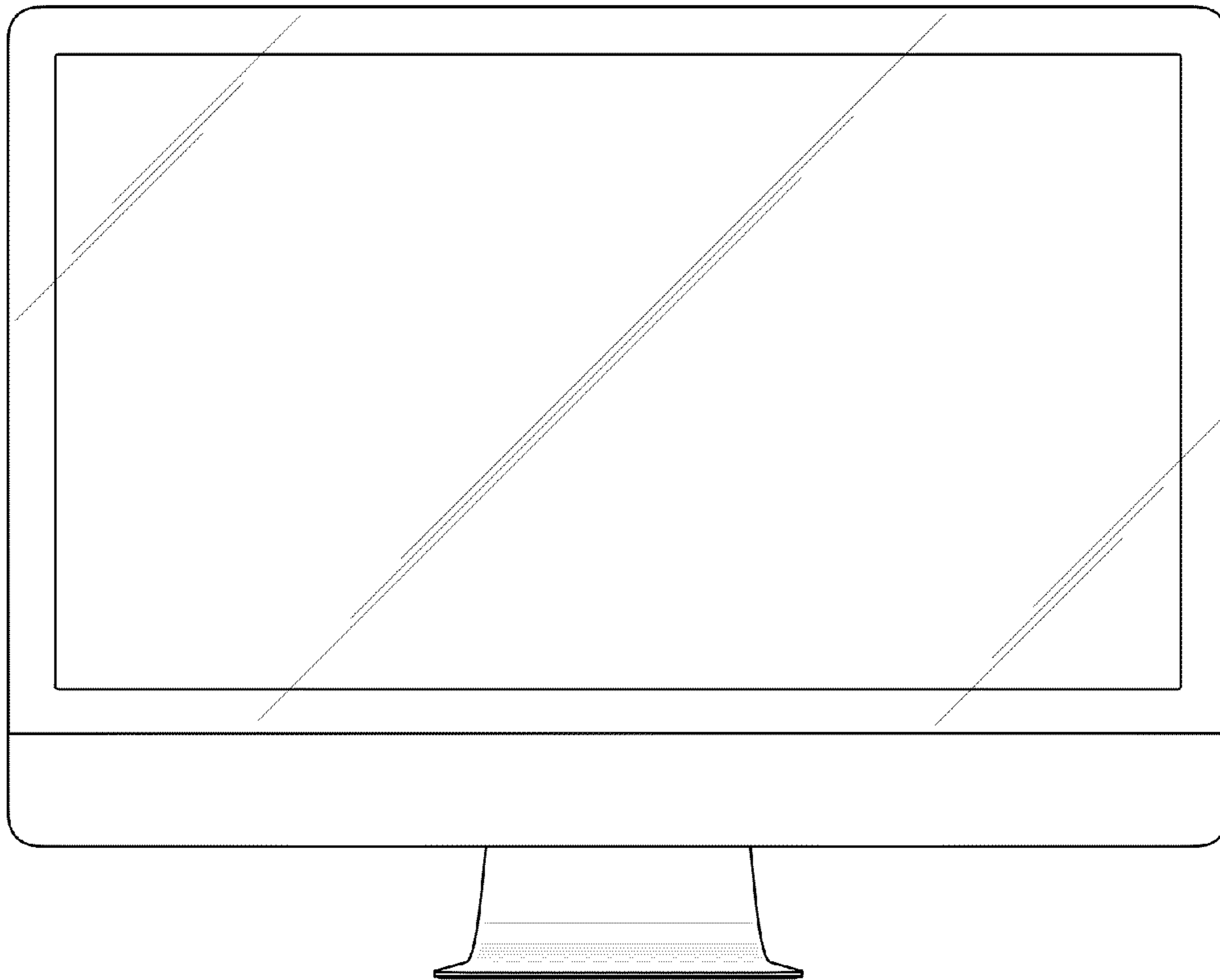


Fig. 31

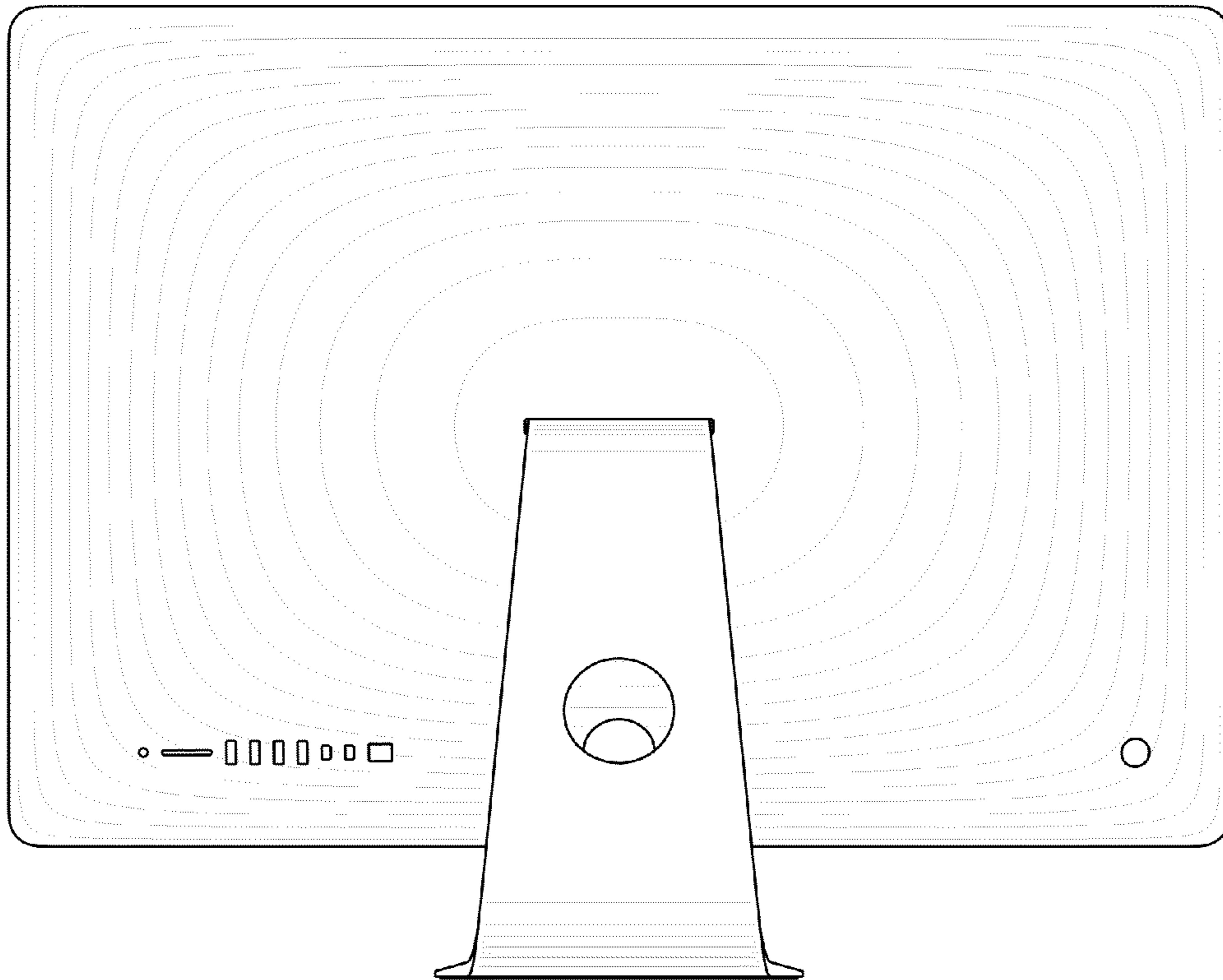


Fig. 32

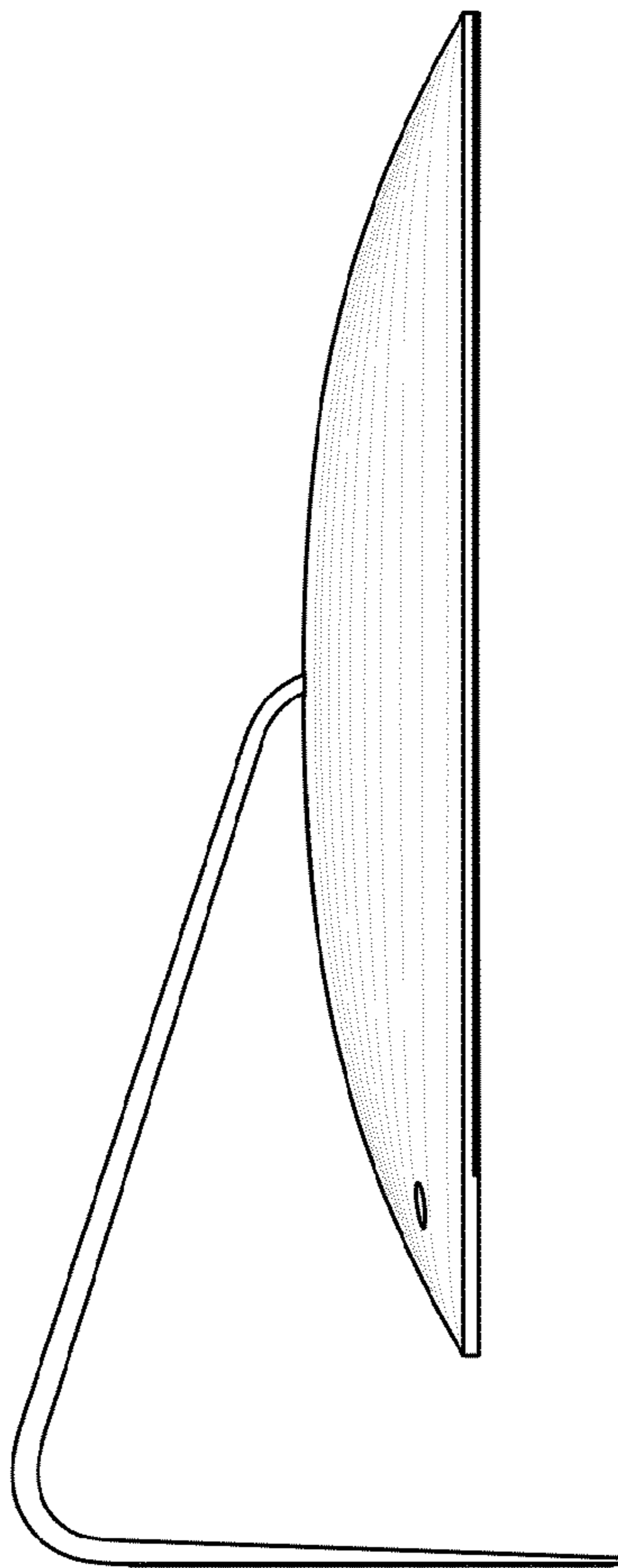


Fig. 33

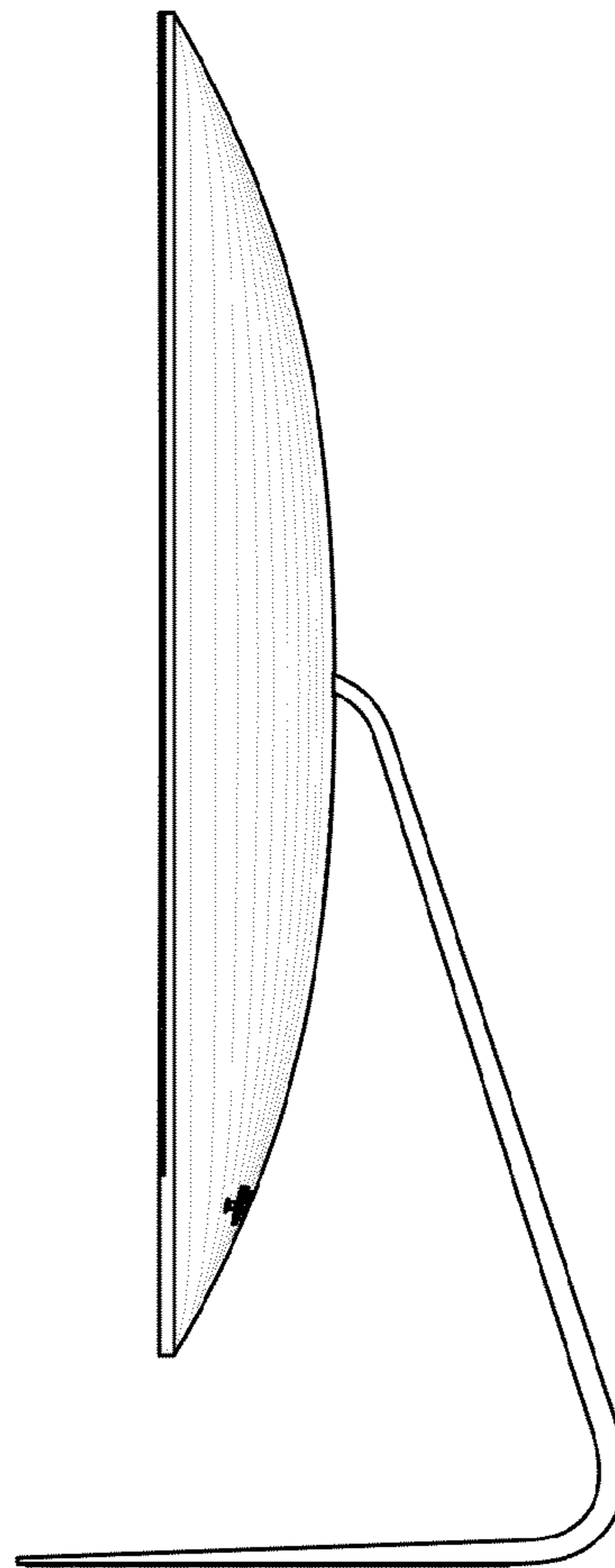


Fig. 34

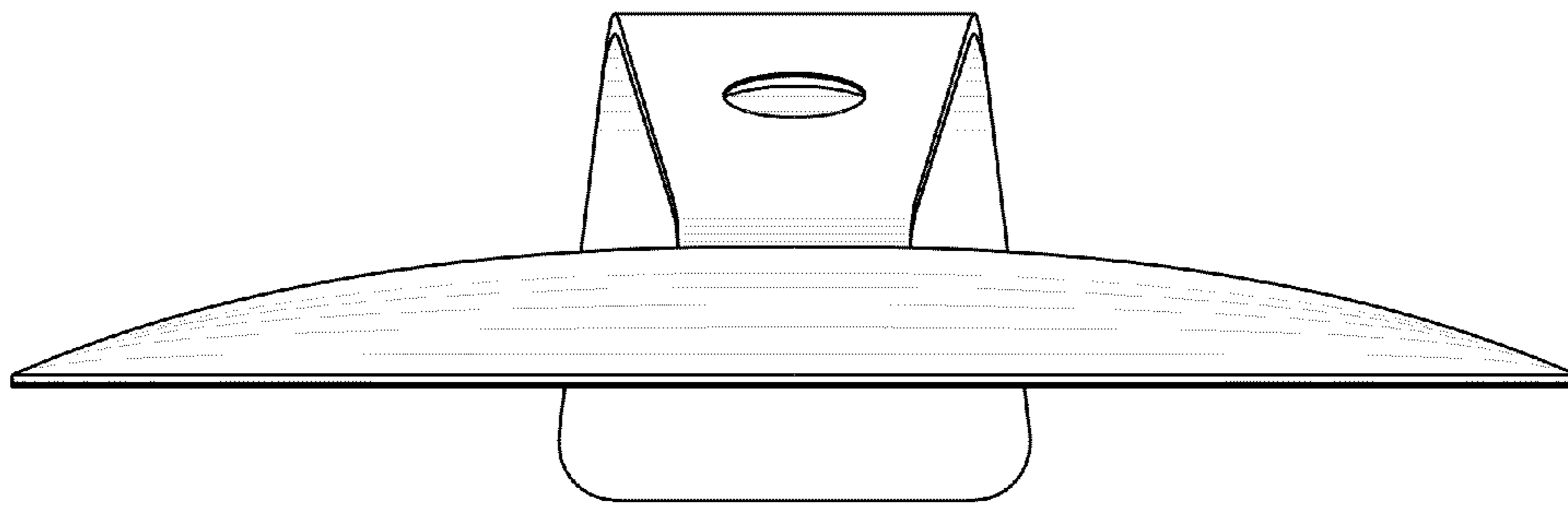


Fig. 35

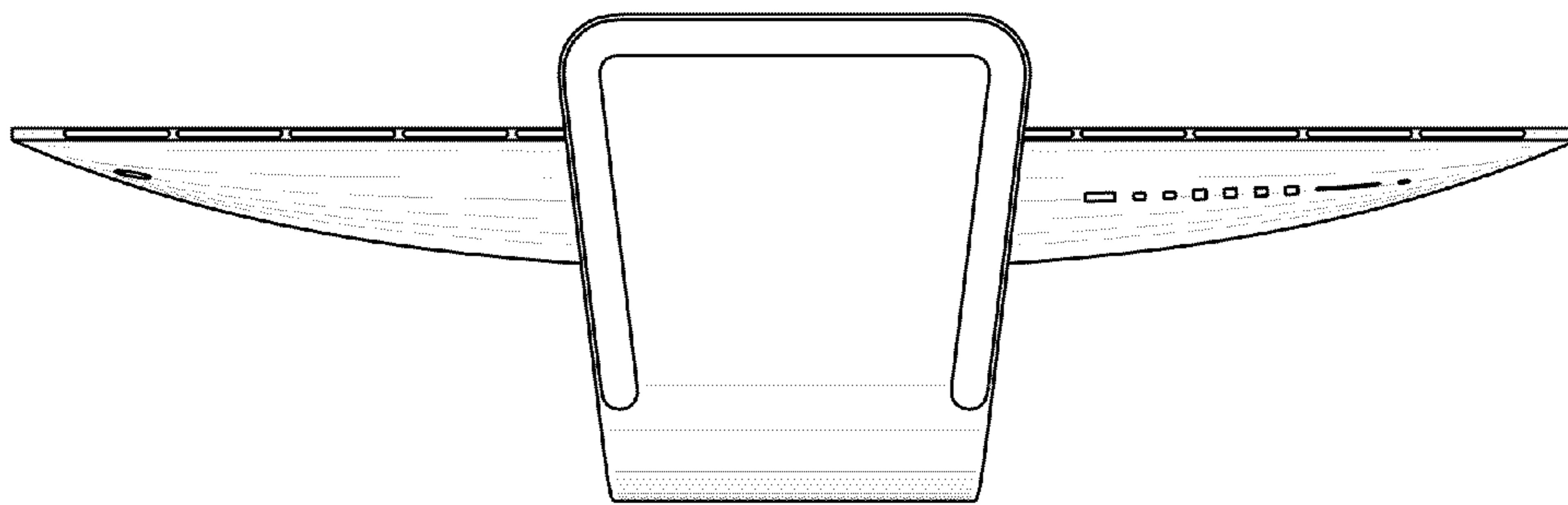


Fig. 36

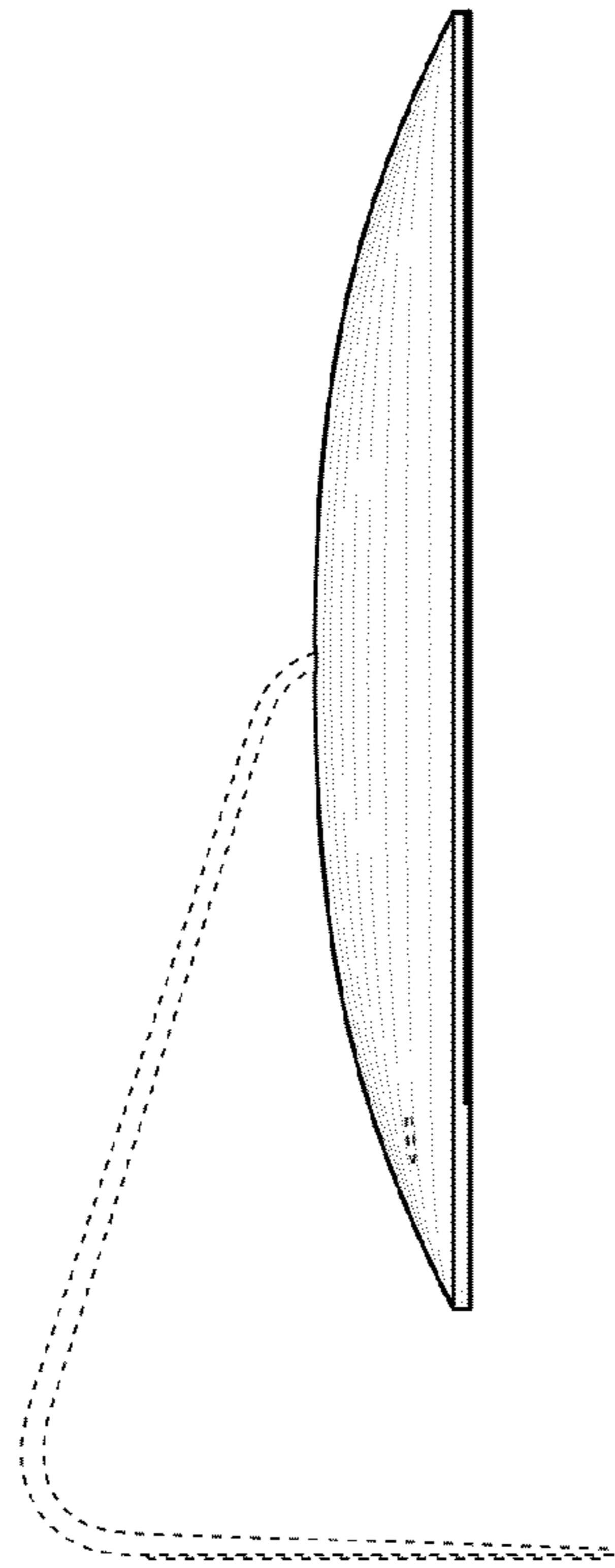


Fig. 37

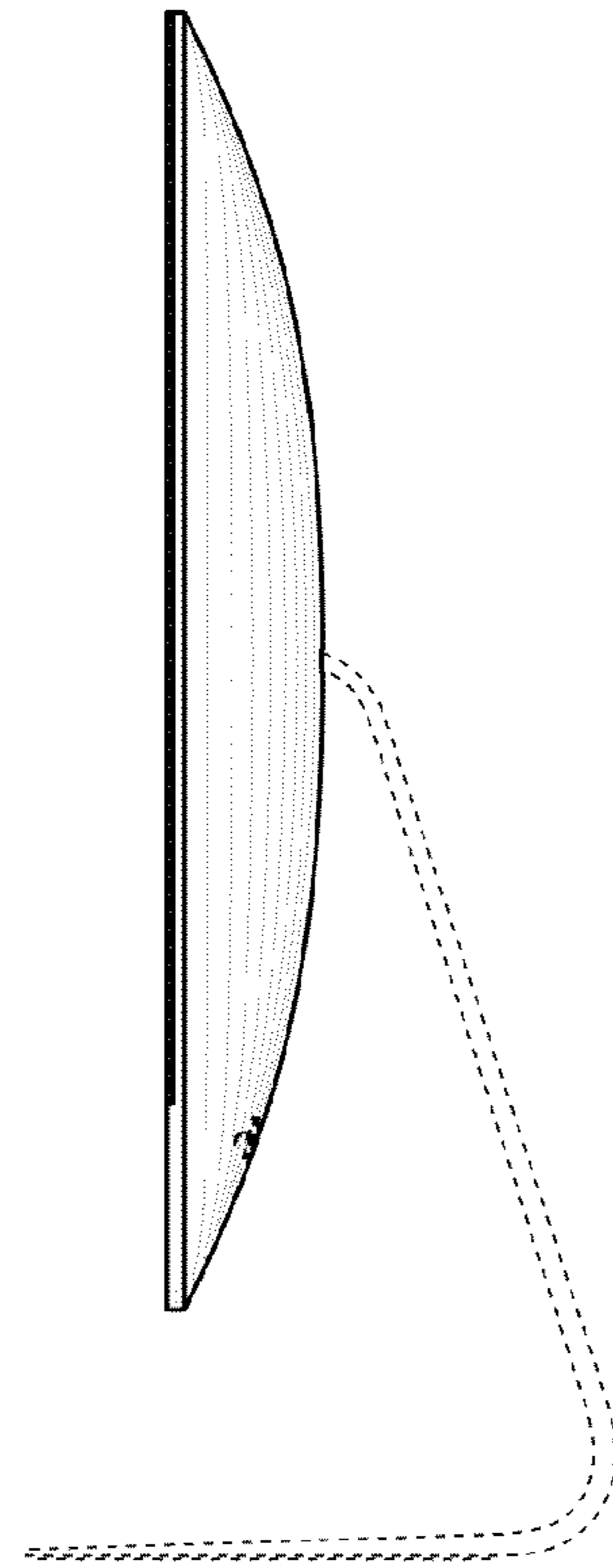


Fig. 38

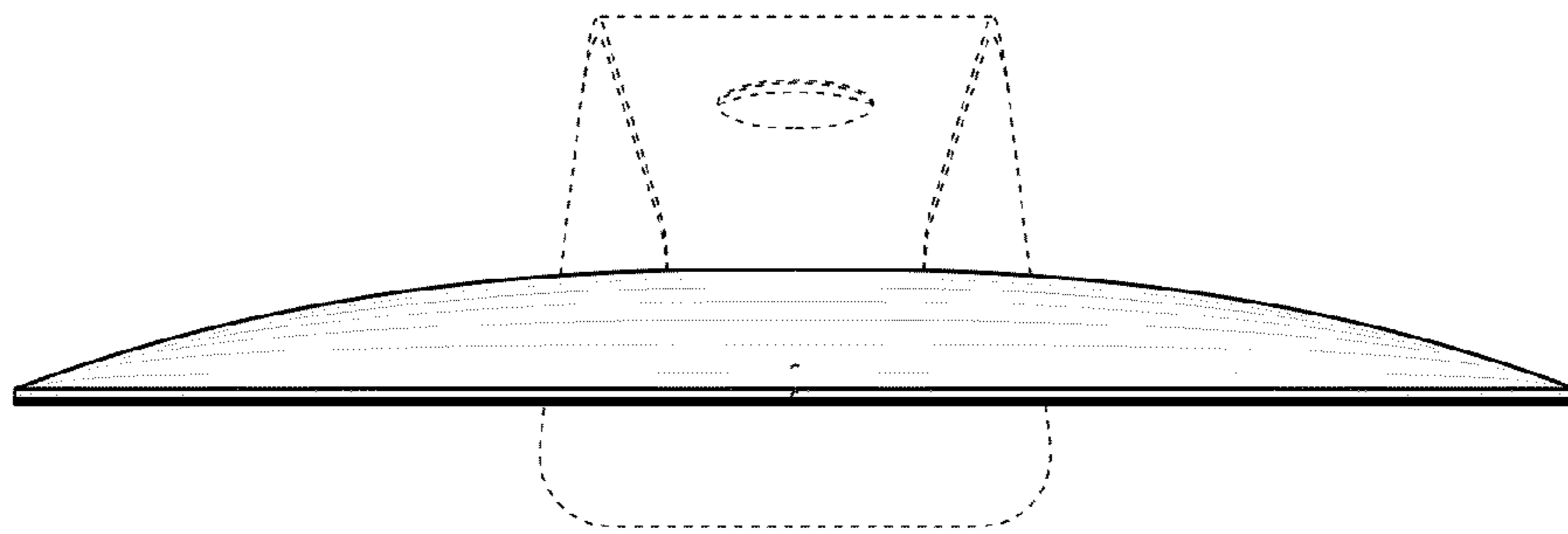


Fig. 39

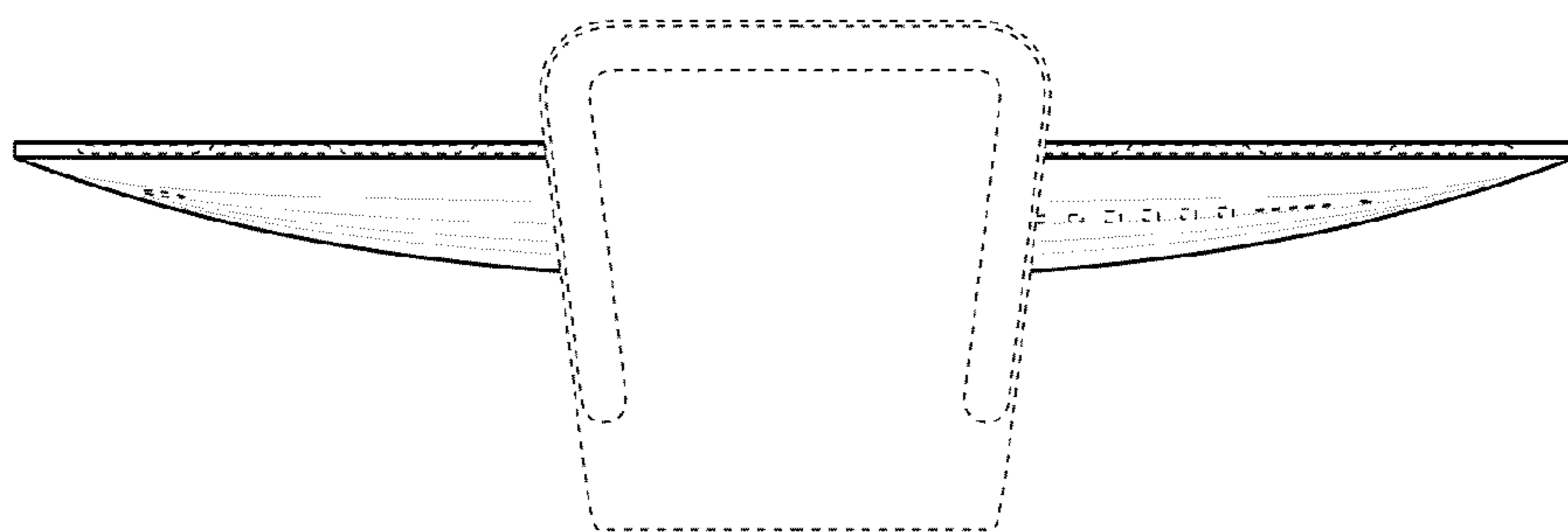


Fig. 40

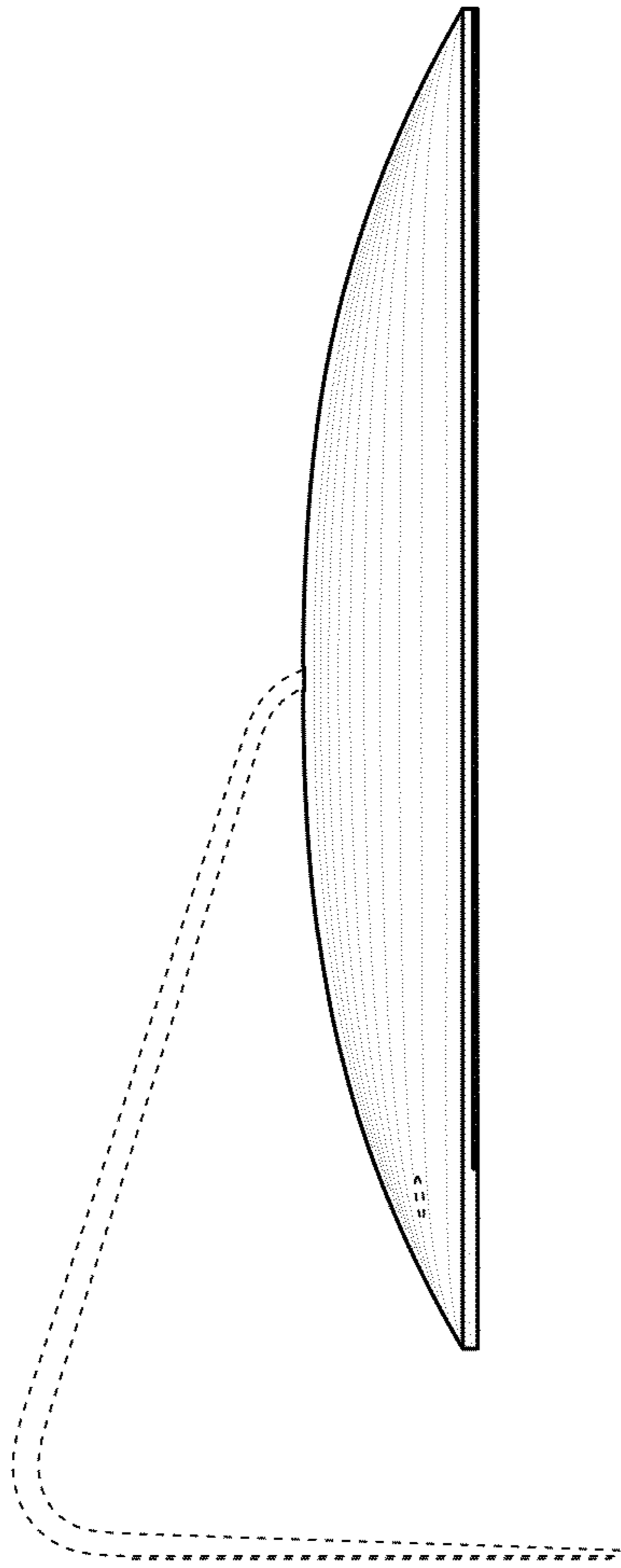


Fig. 41

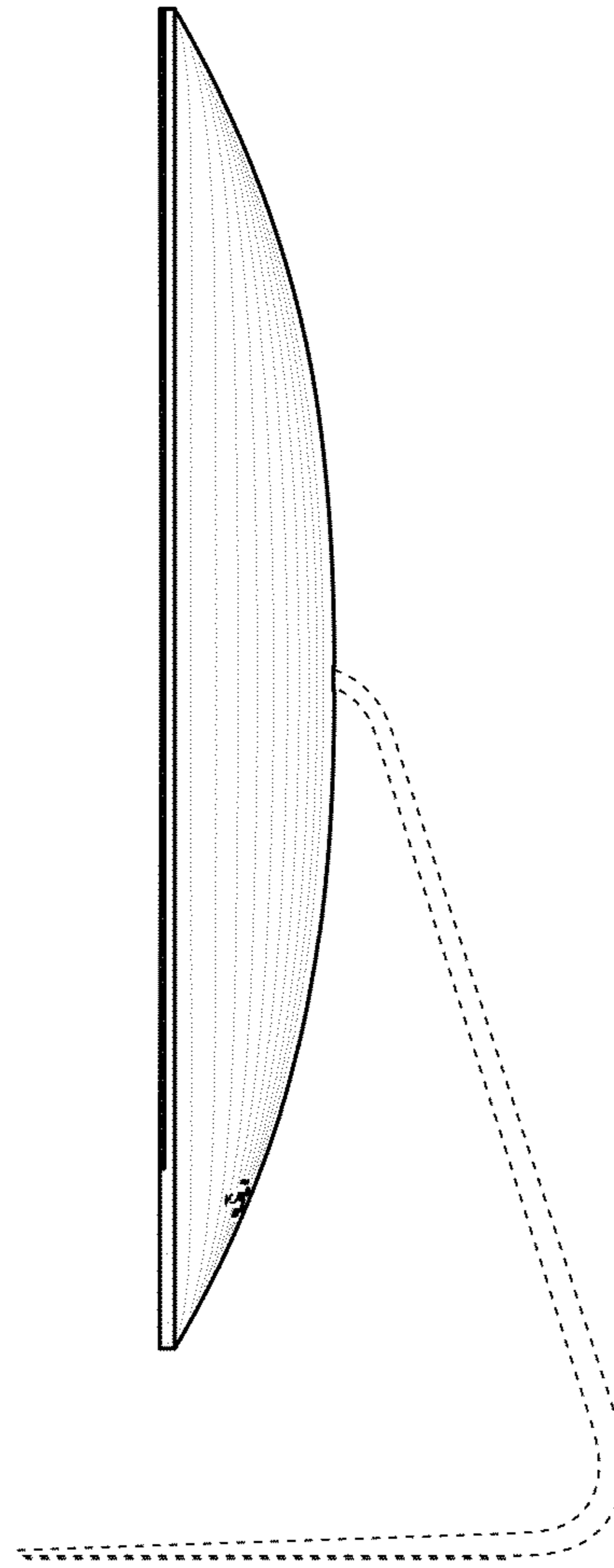


Fig. 42

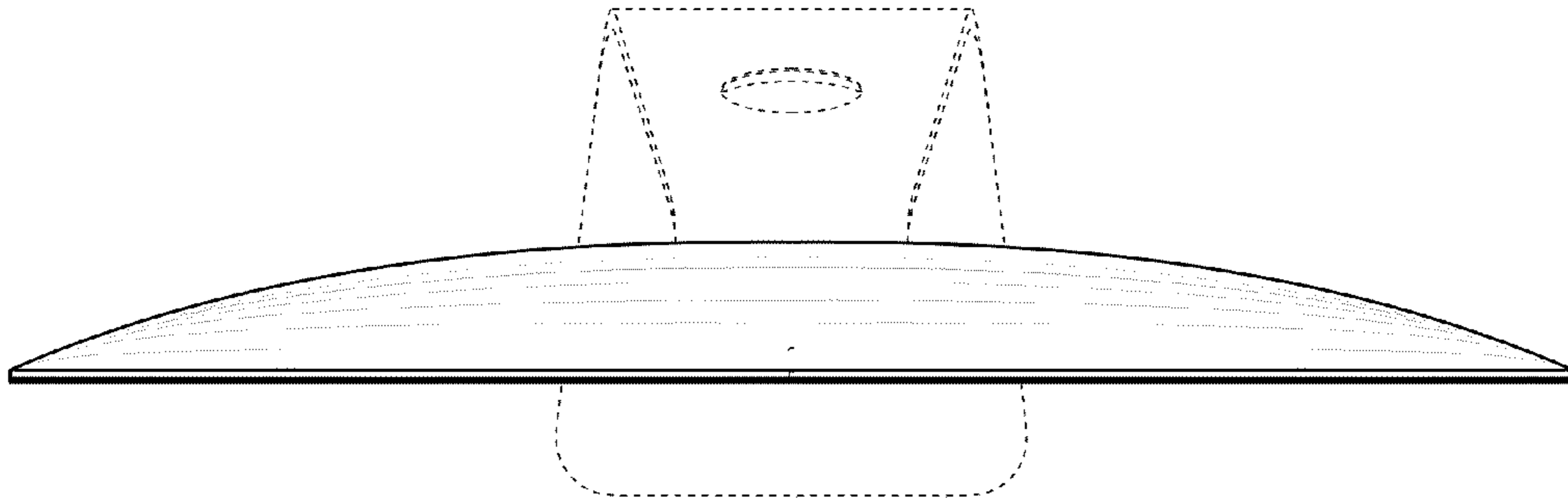


Fig. 43

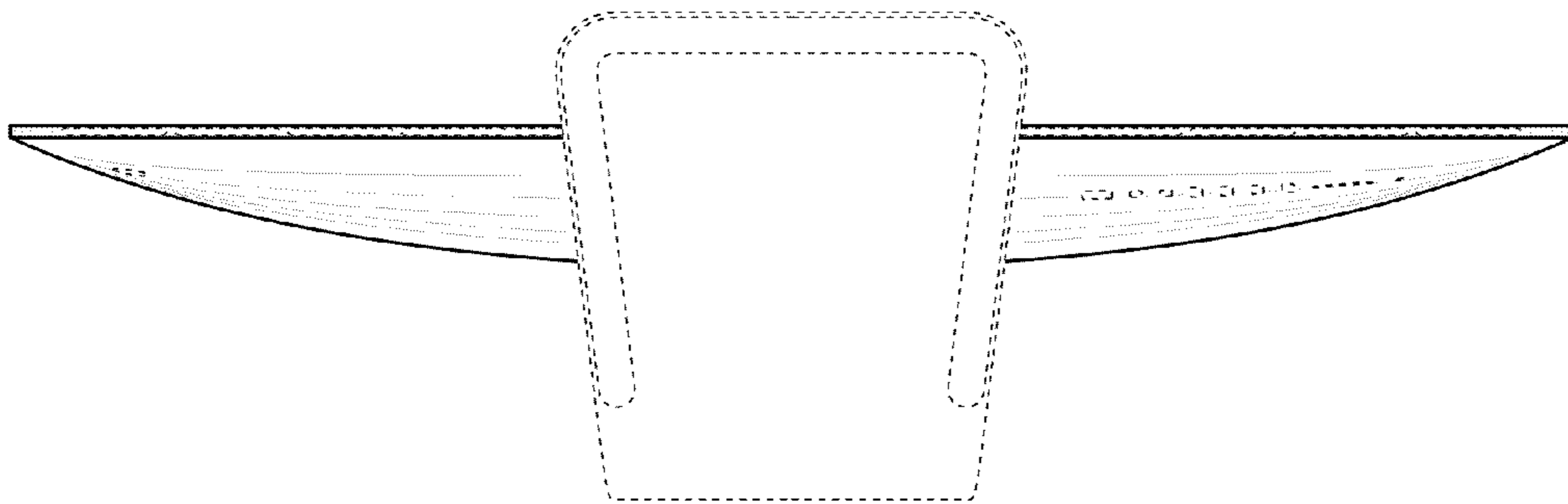


Fig. 44

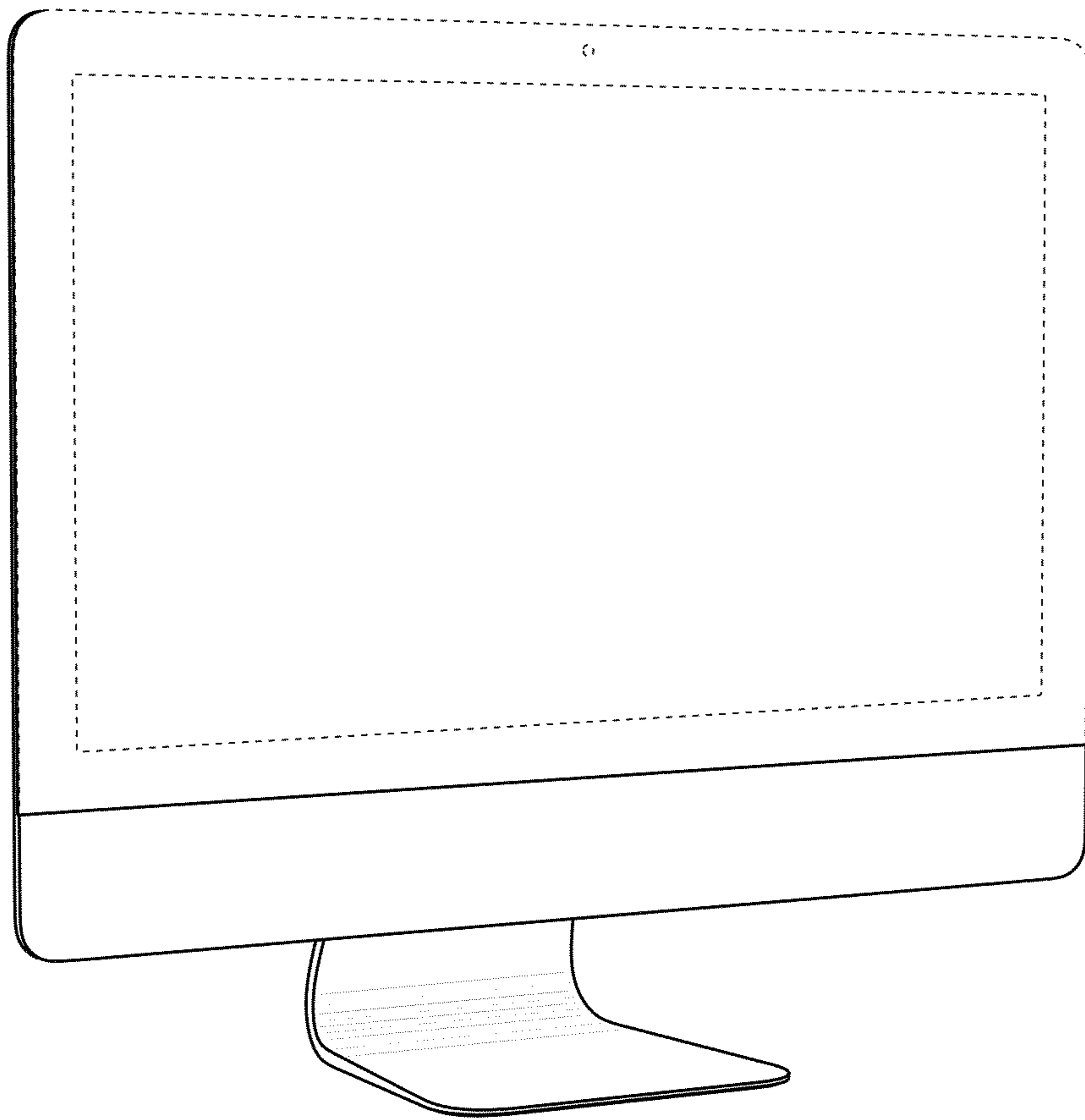


Fig. 45

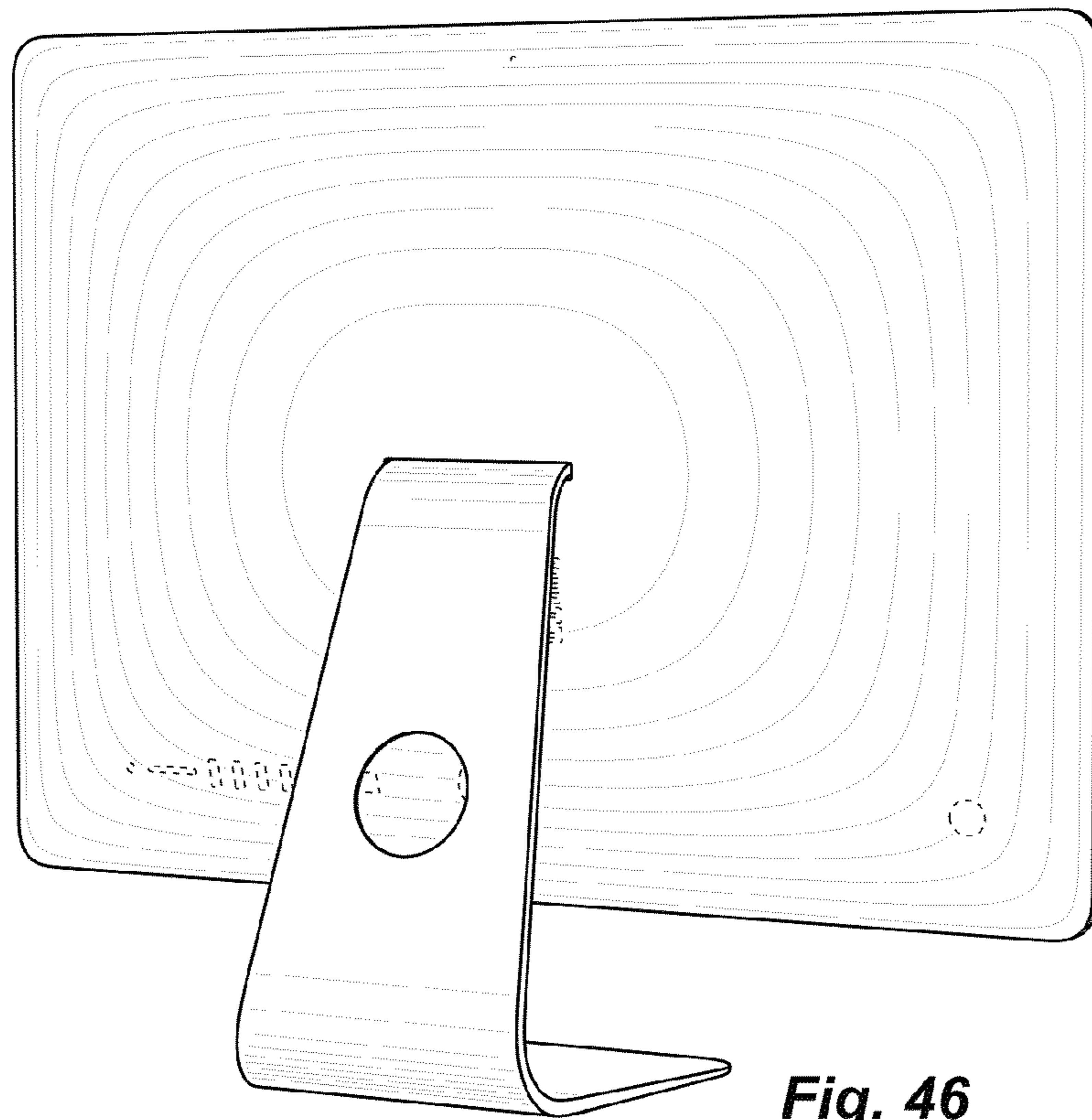


Fig. 46

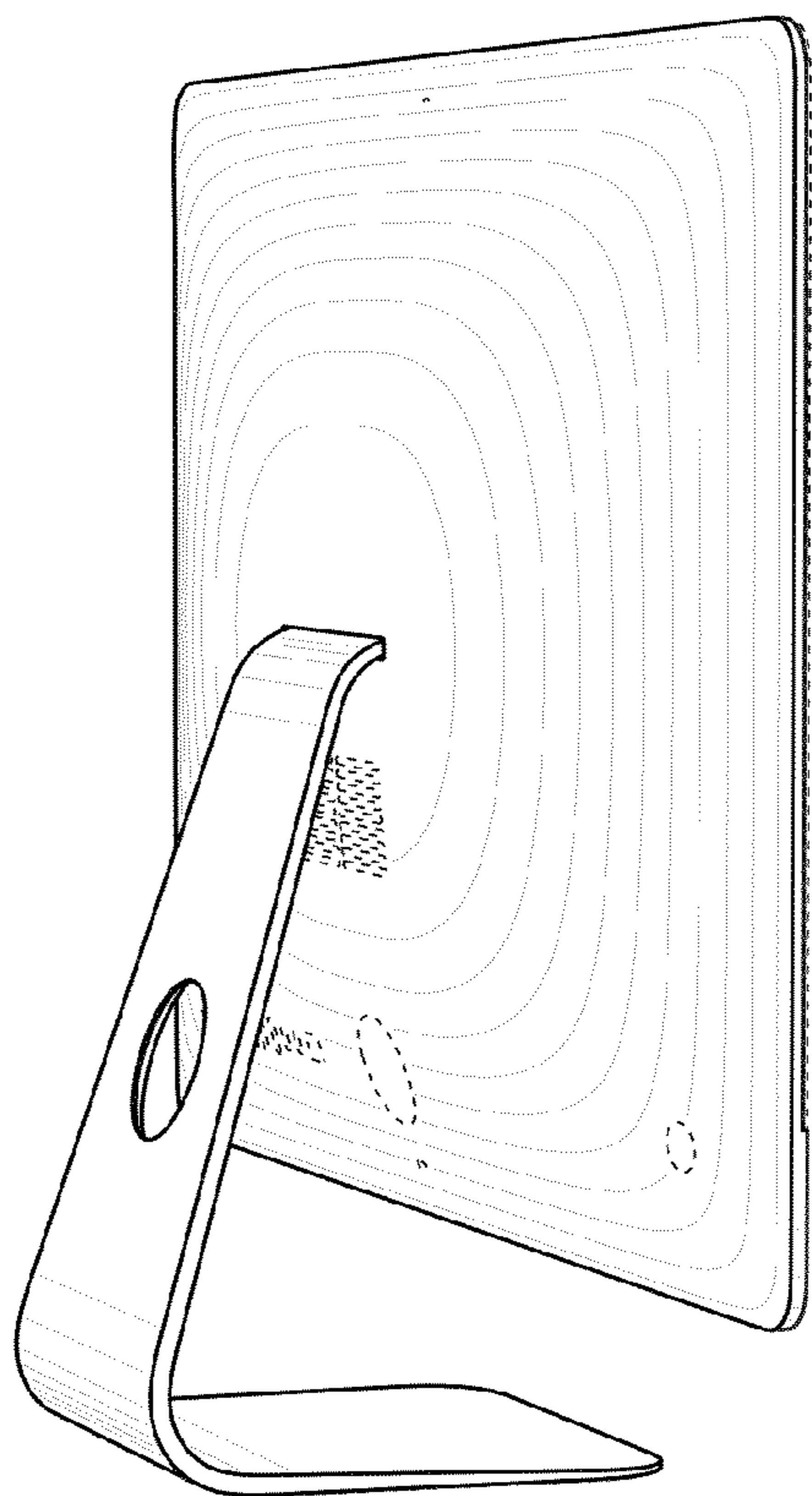


Fig. 47

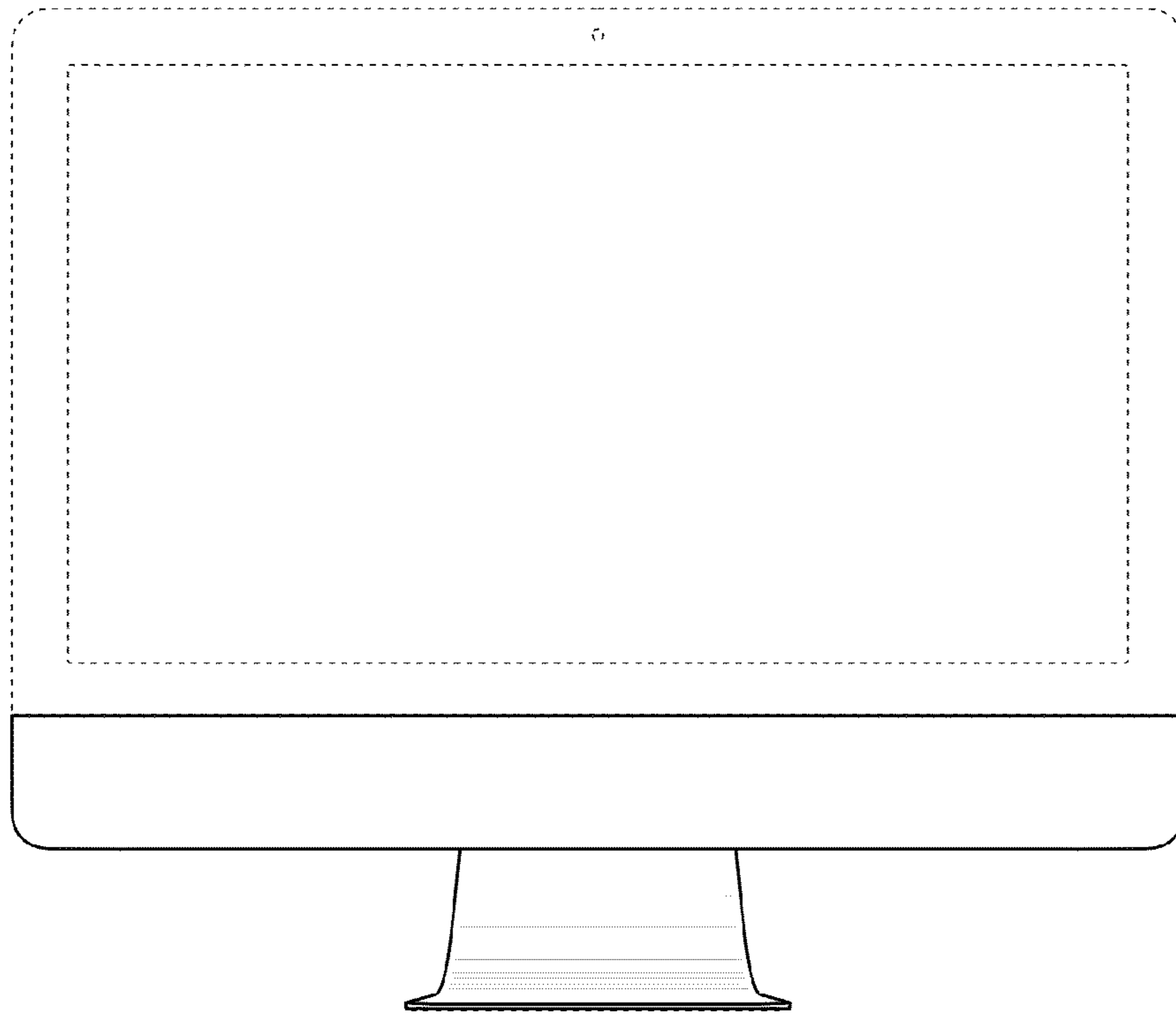


Fig. 48

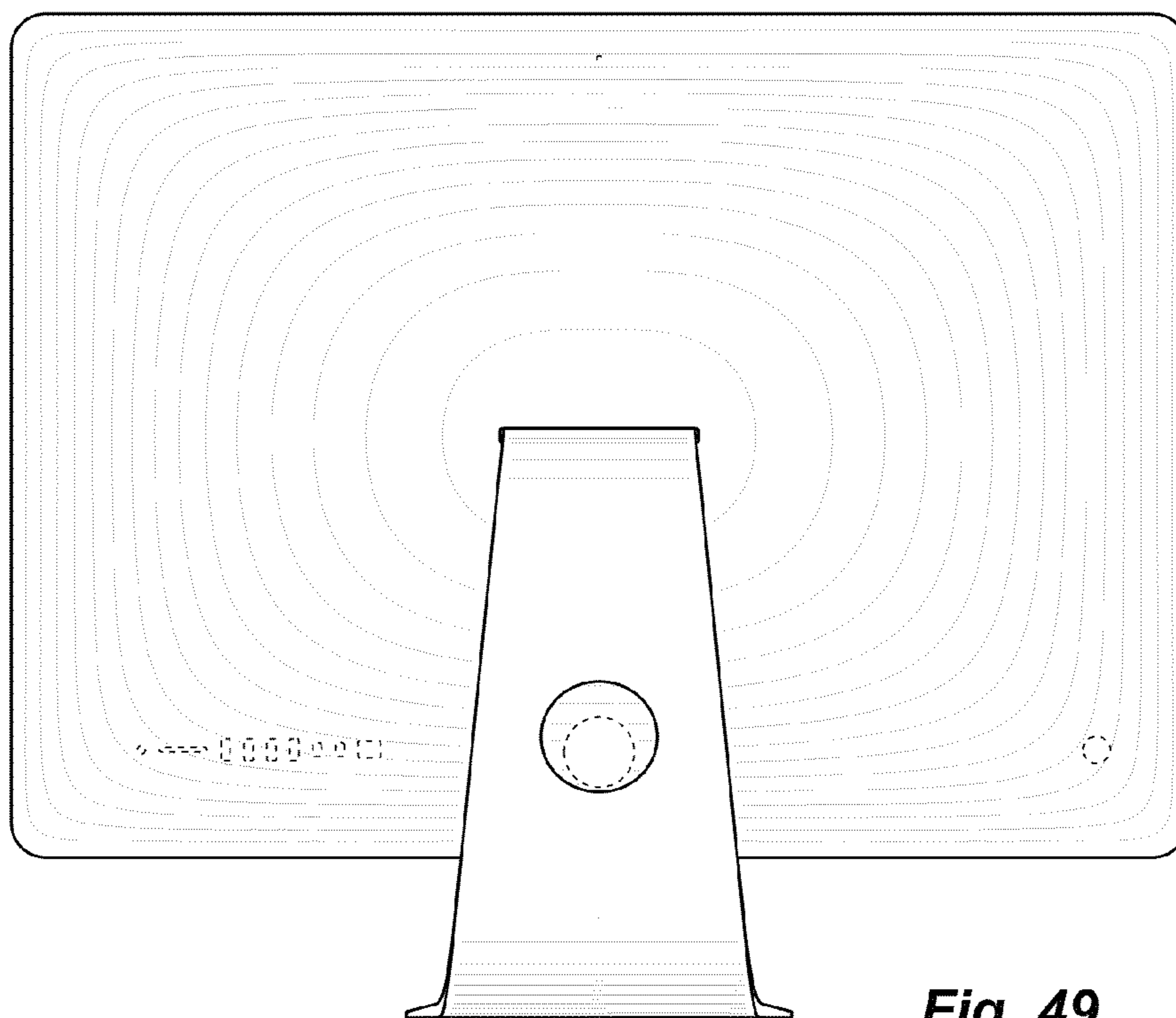


Fig. 49

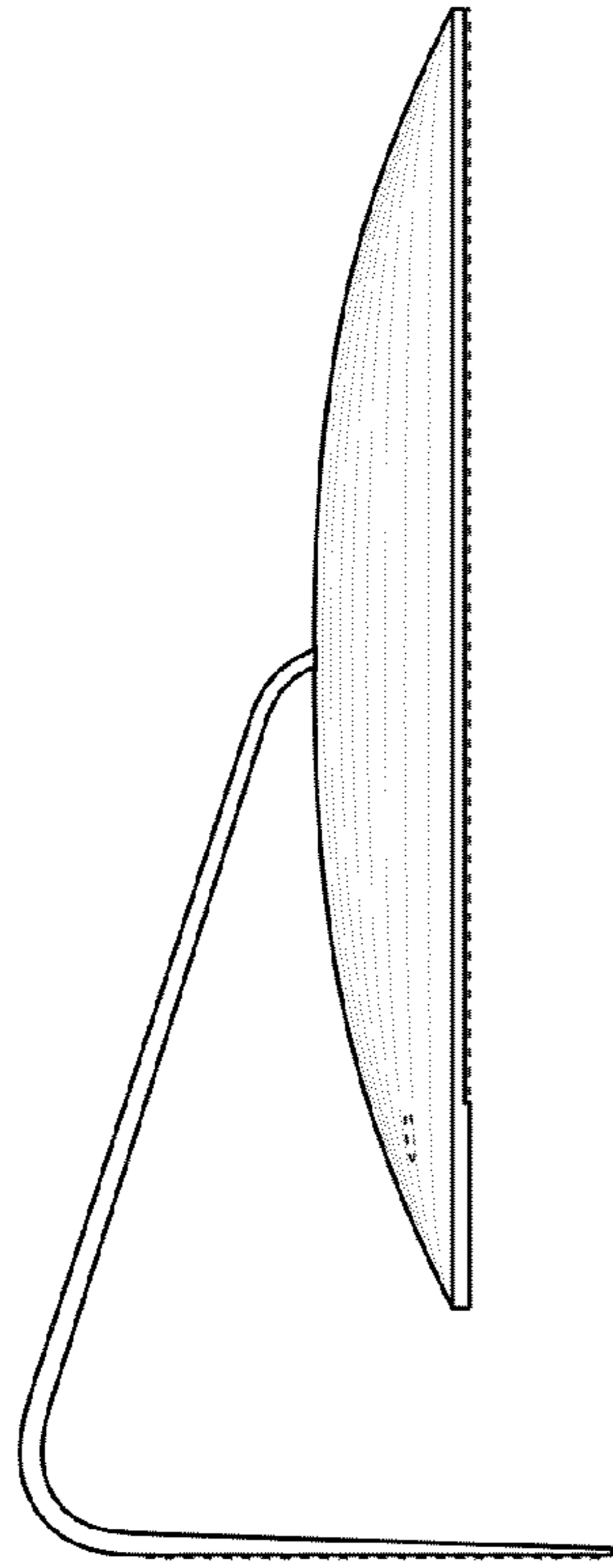


Fig. 50

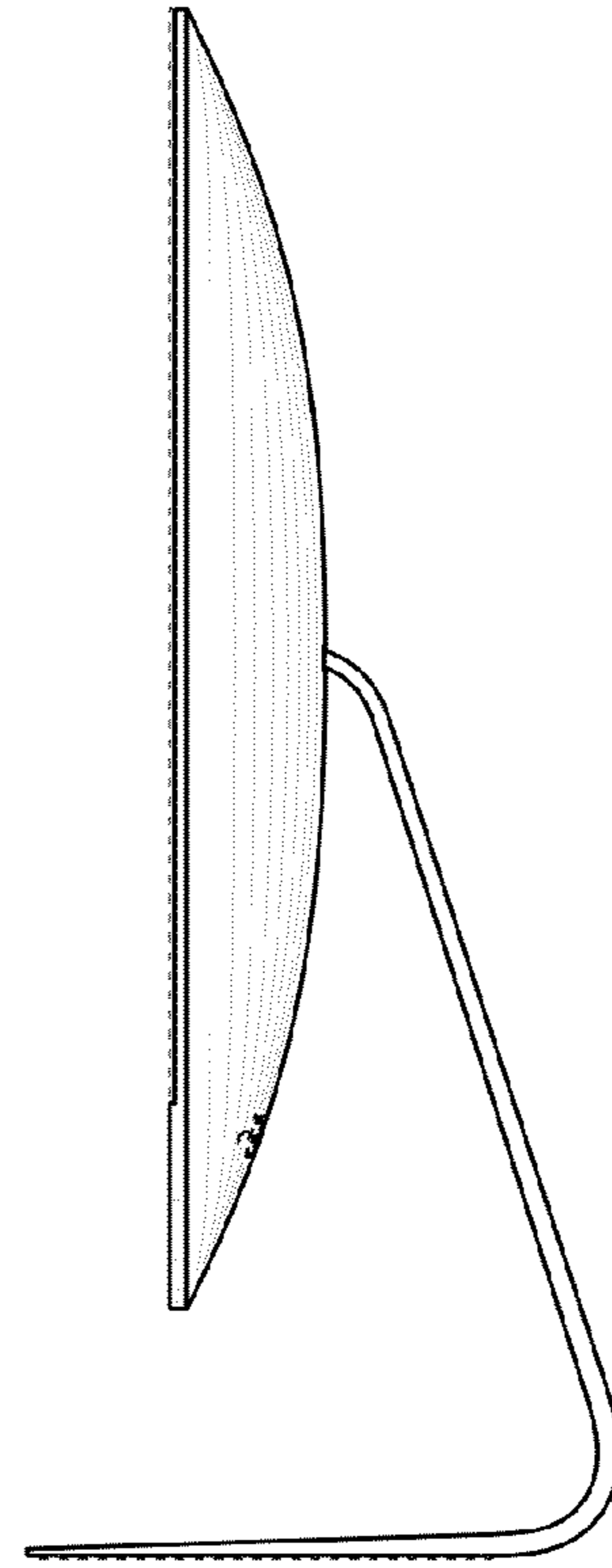


Fig. 51

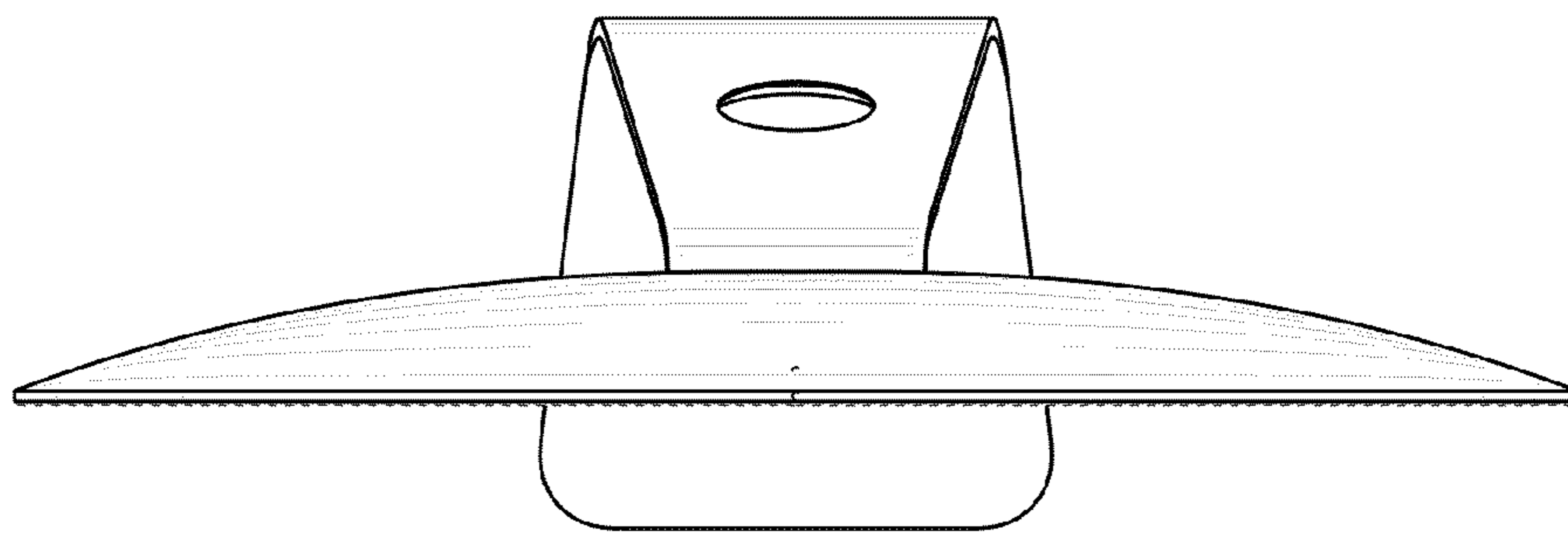


Fig. 52

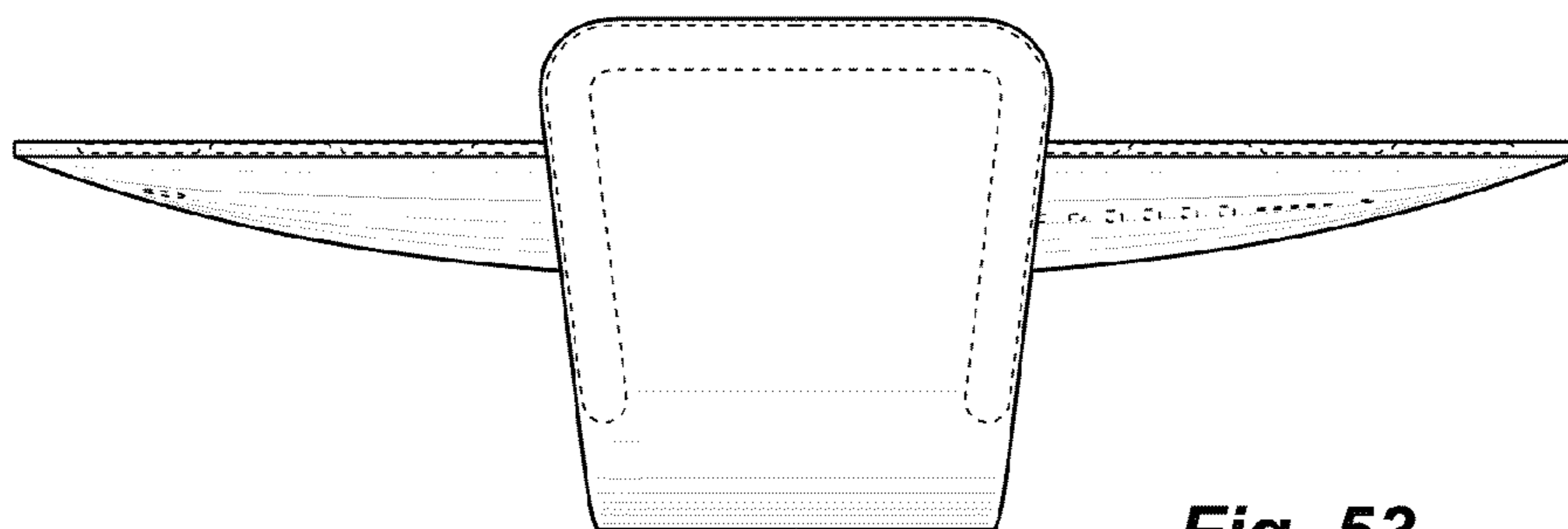


Fig. 53

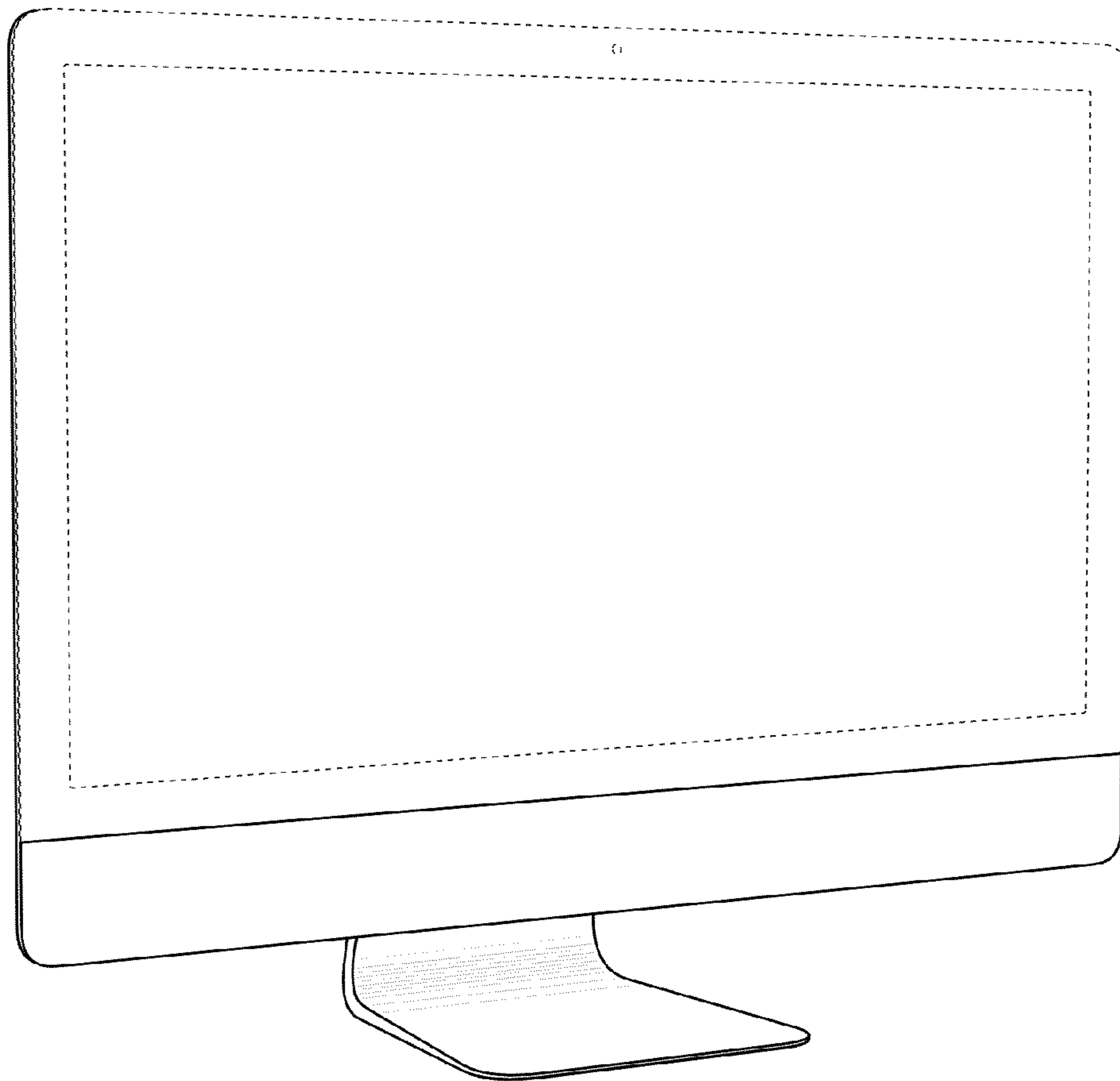


Fig. 54

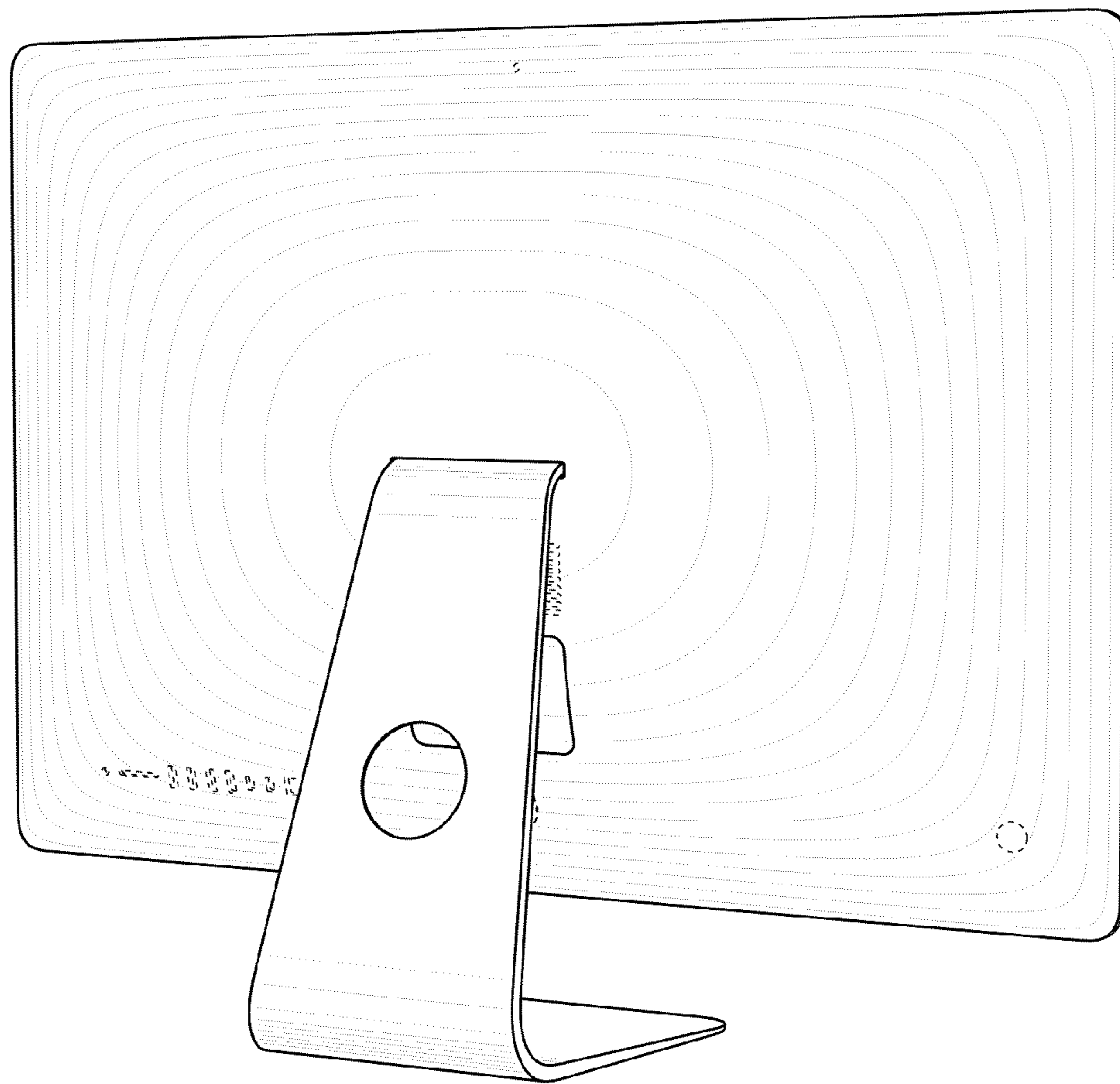


Fig. 55

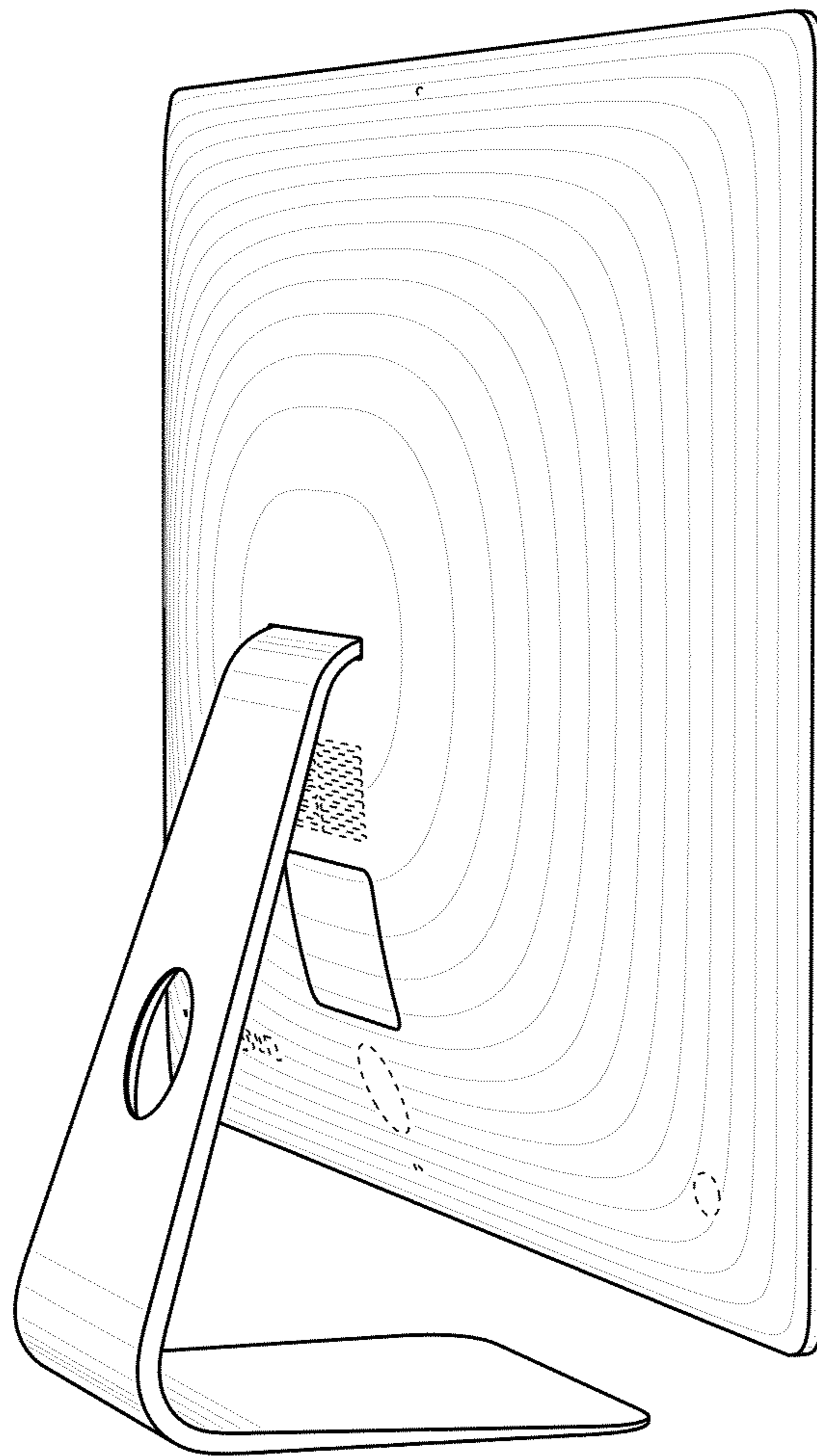


Fig. 56

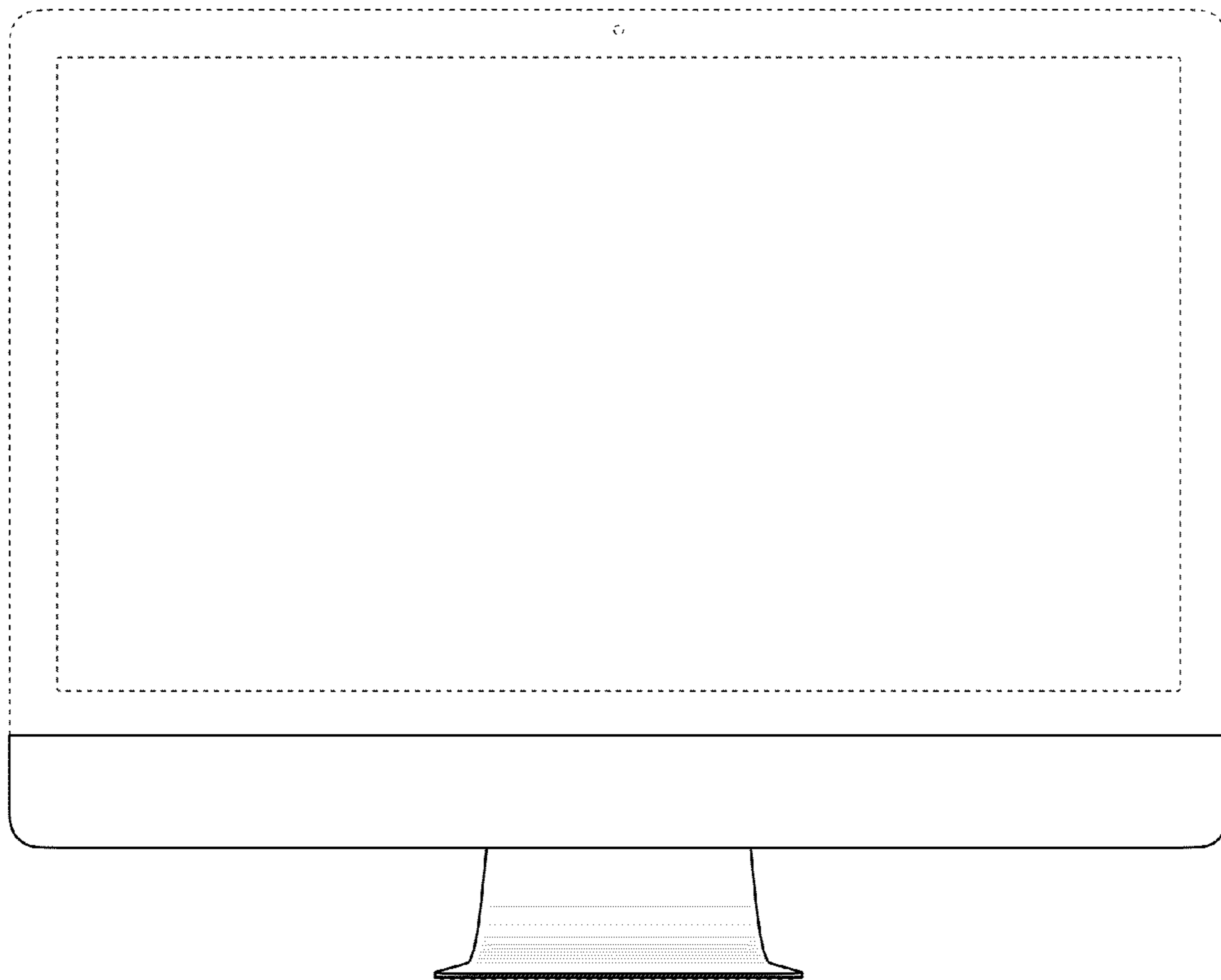


Fig. 57

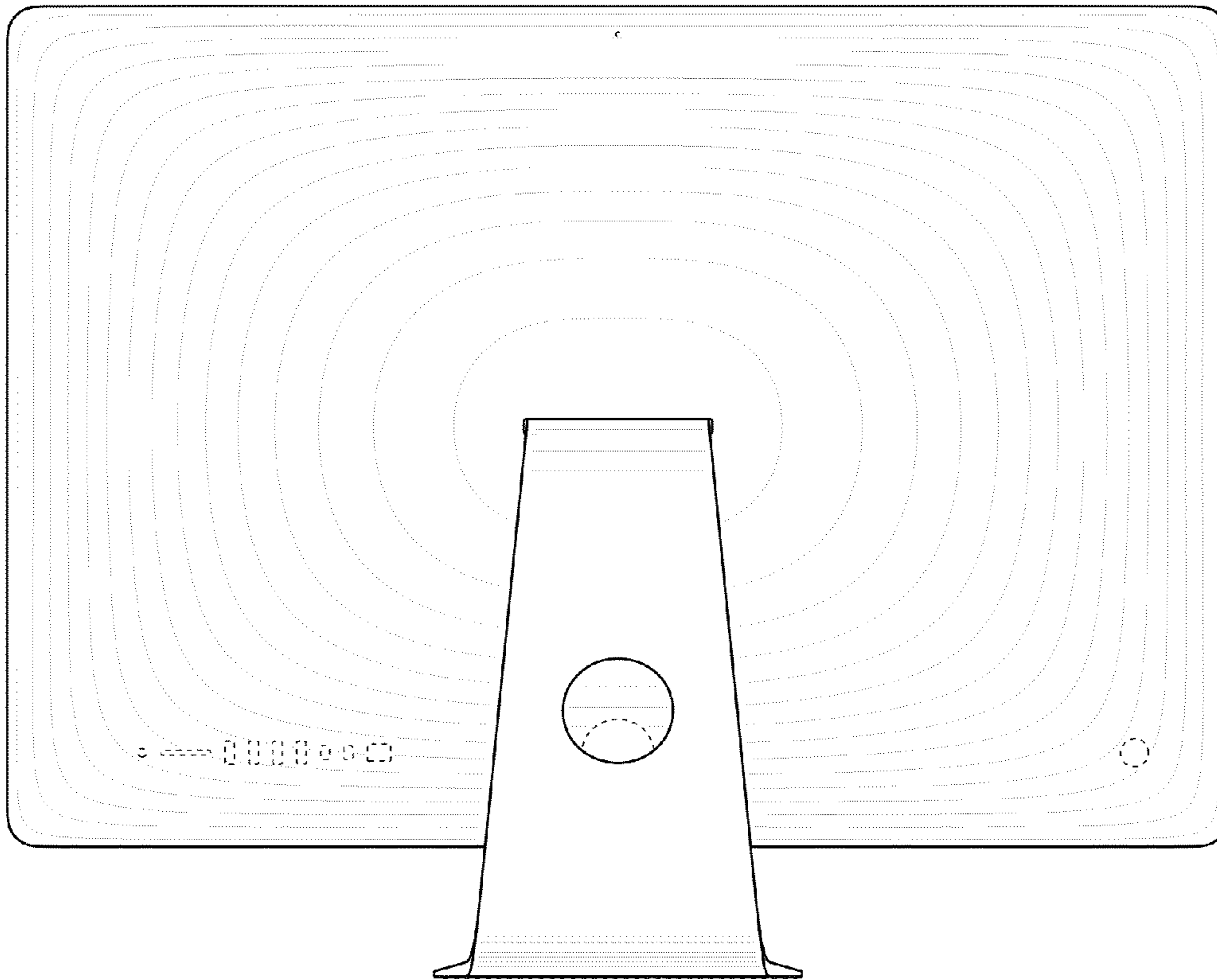


Fig. 58

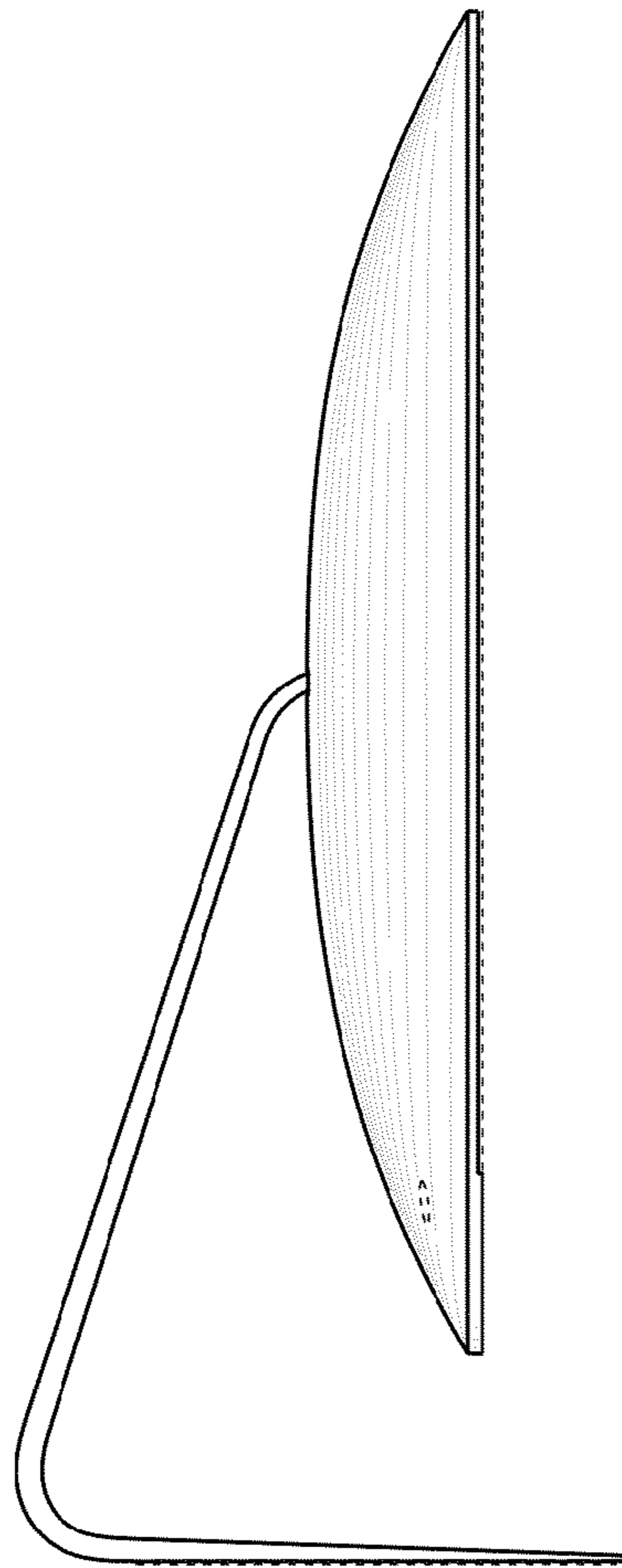


Fig. 59

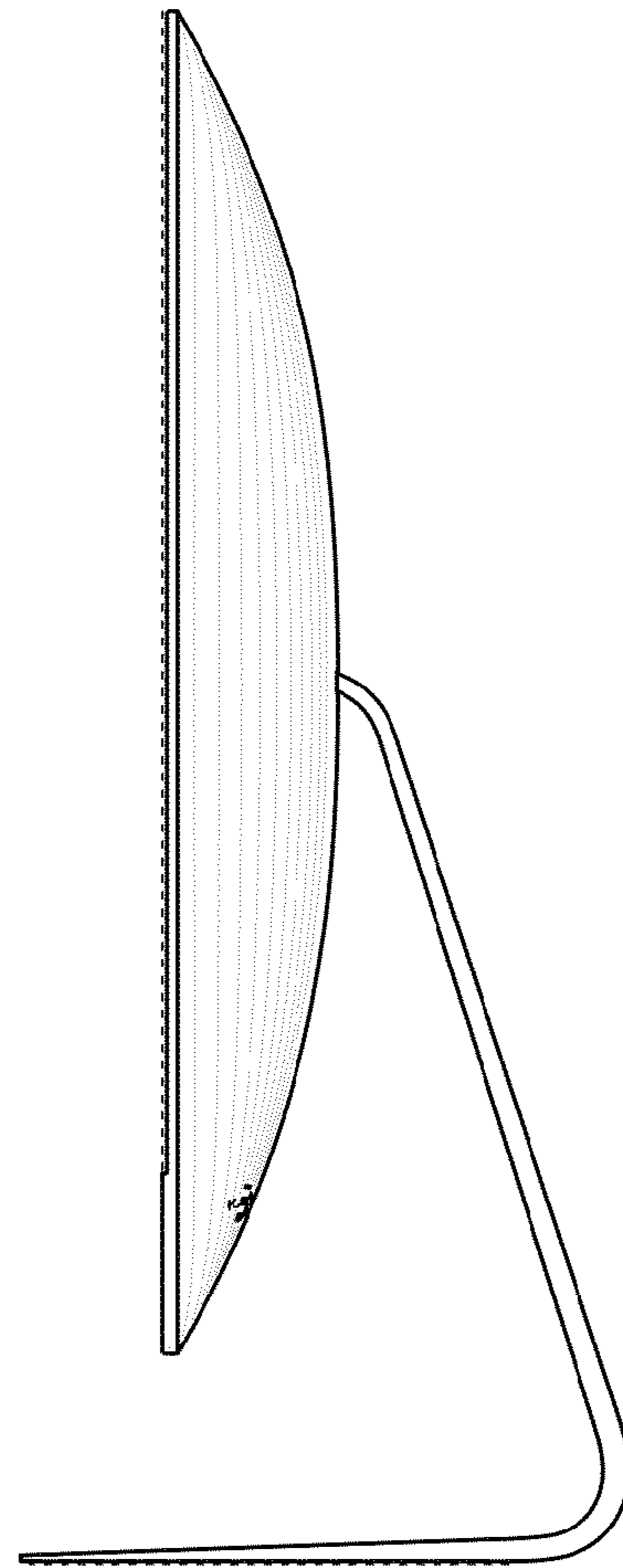


Fig. 60

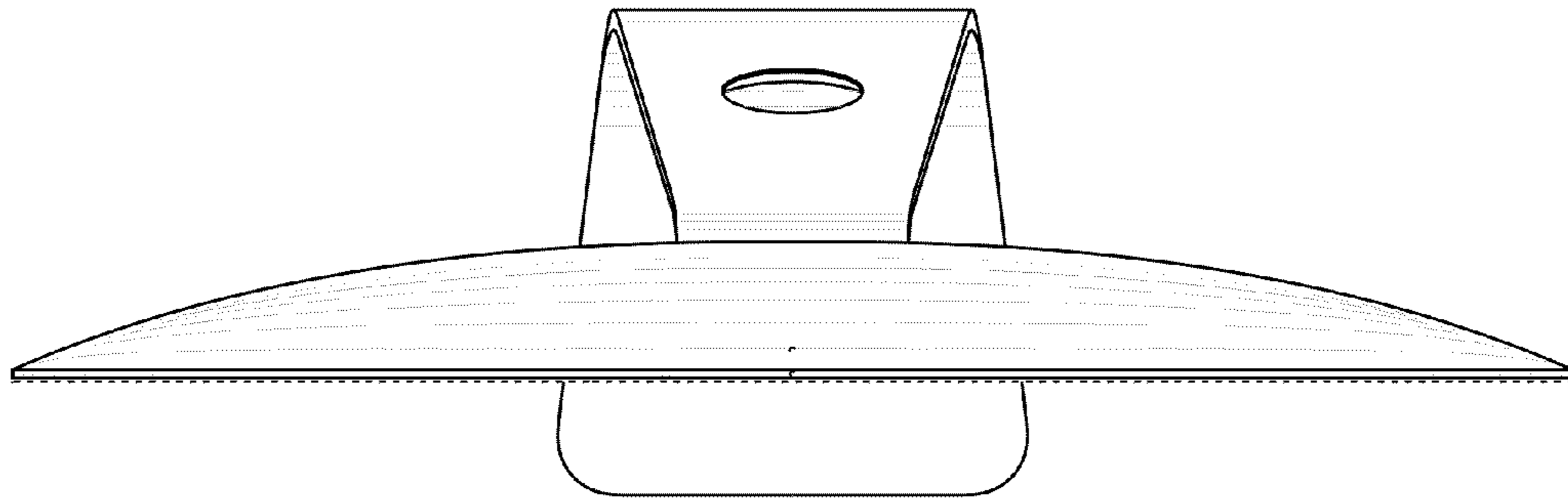


Fig. 61

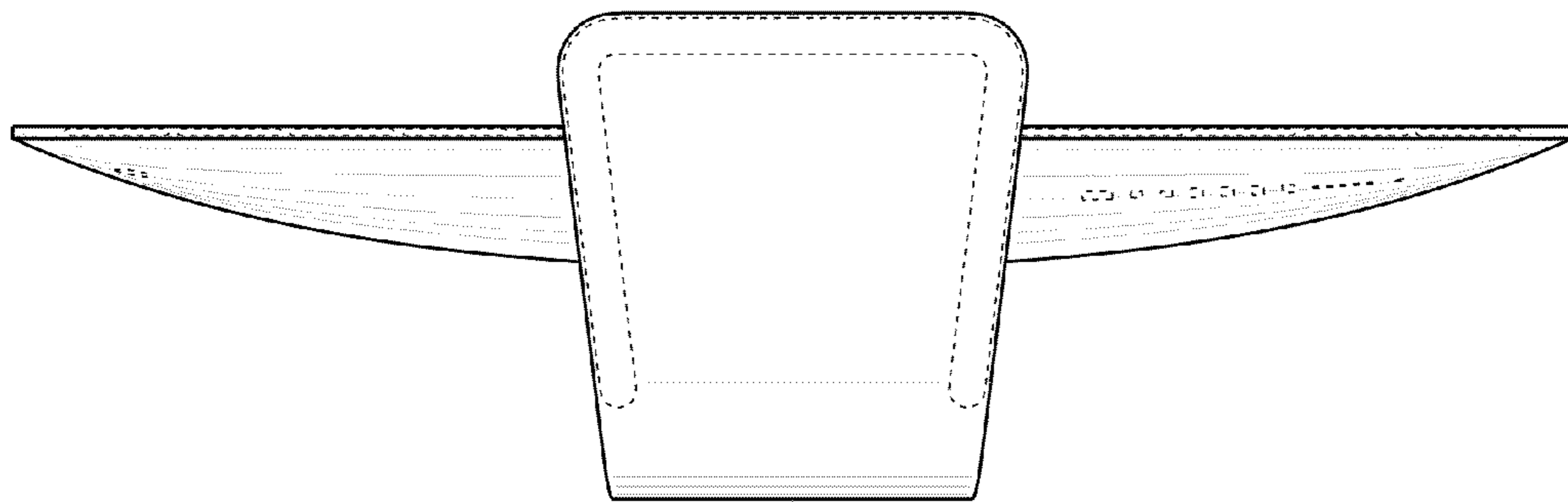


Fig. 62

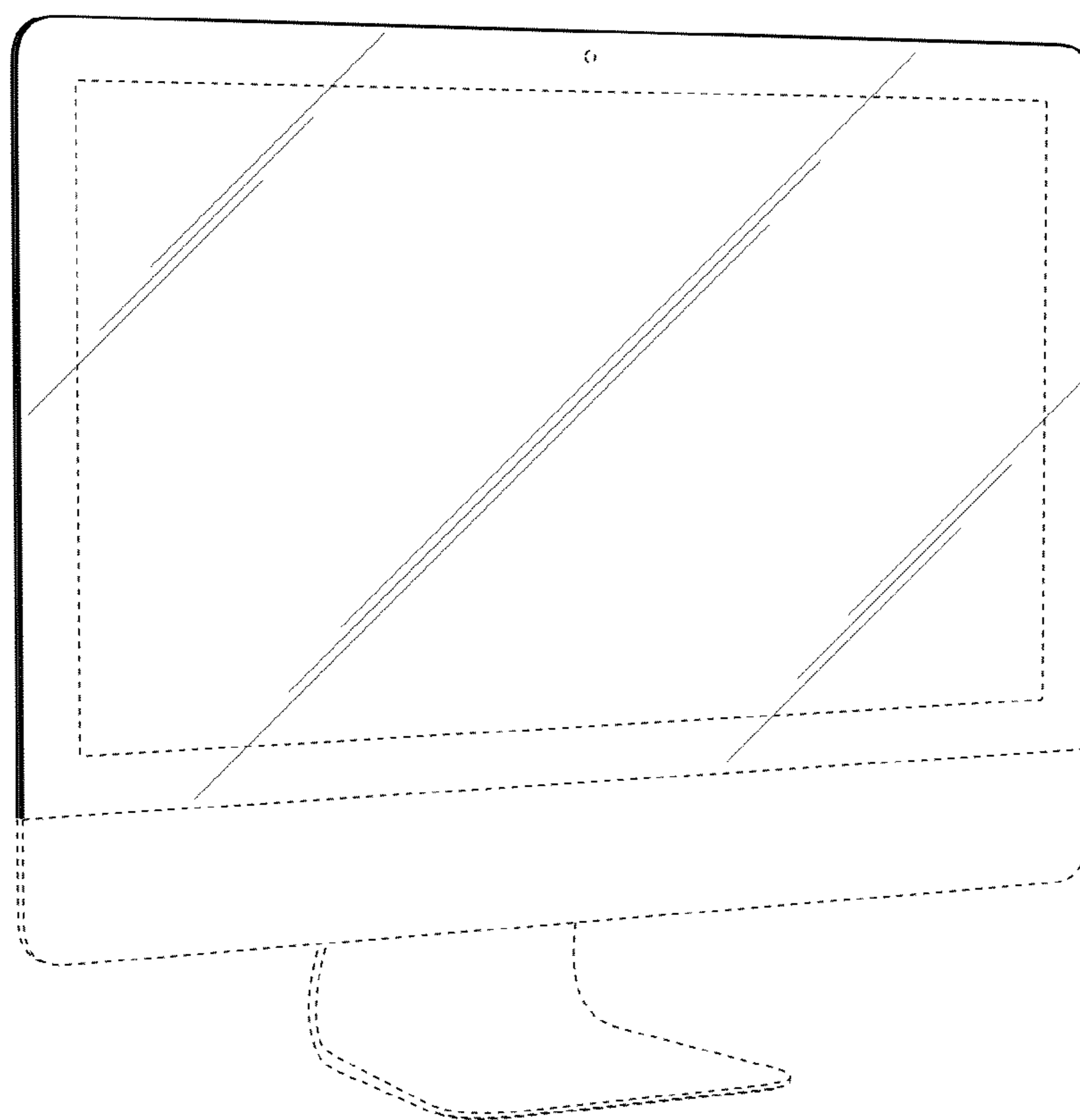


Fig. 63

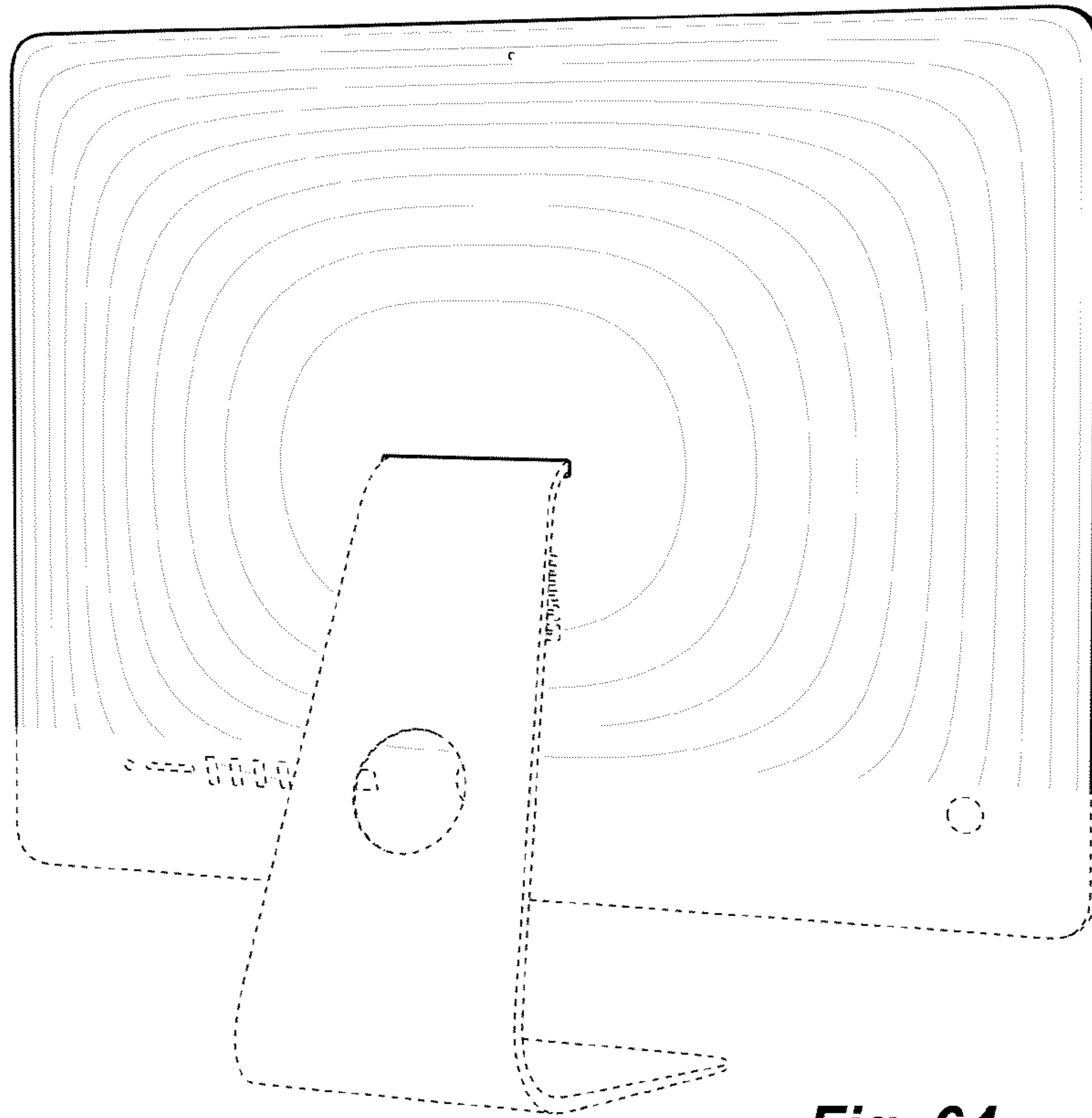


Fig. 64

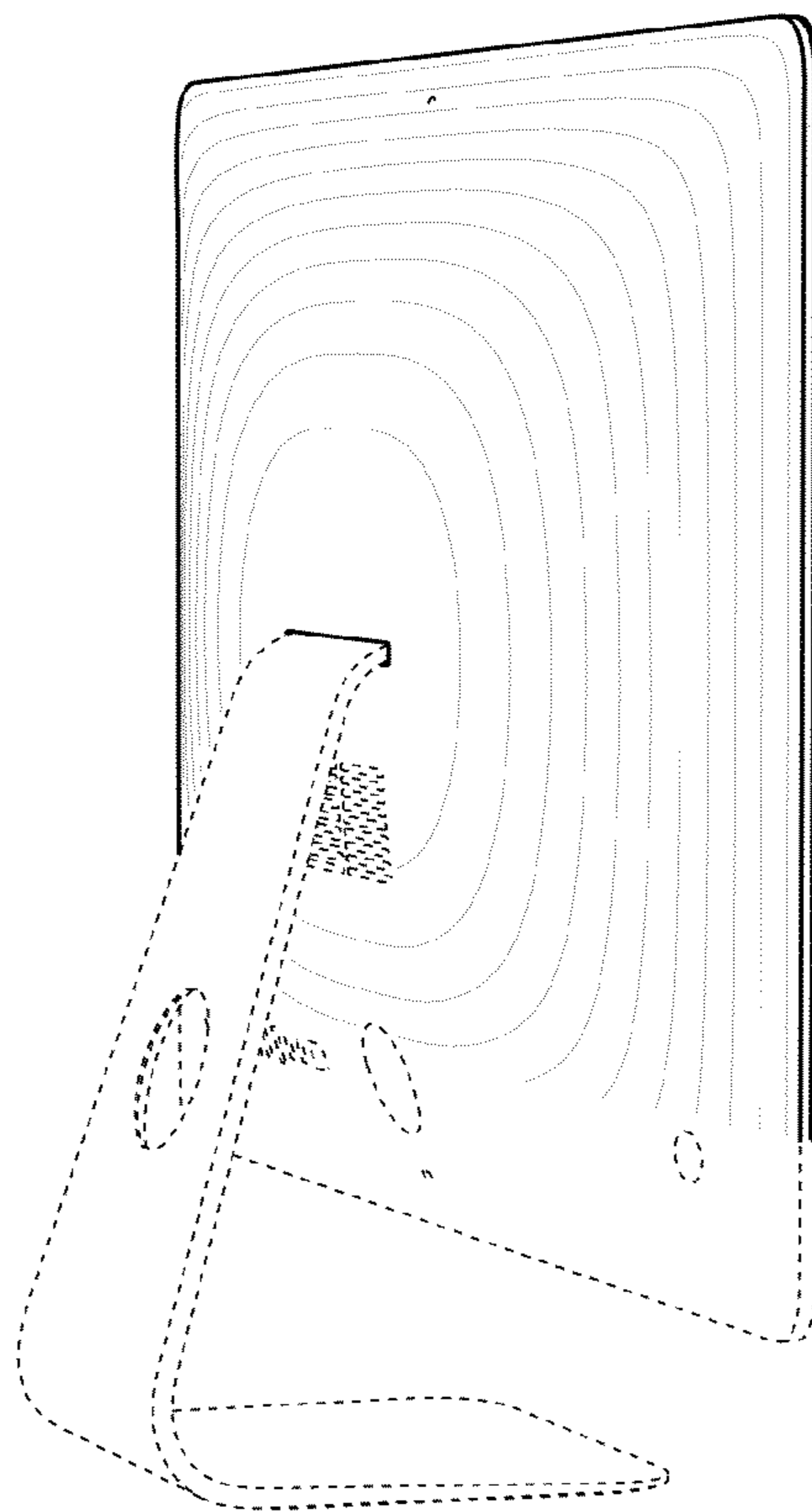


Fig. 65

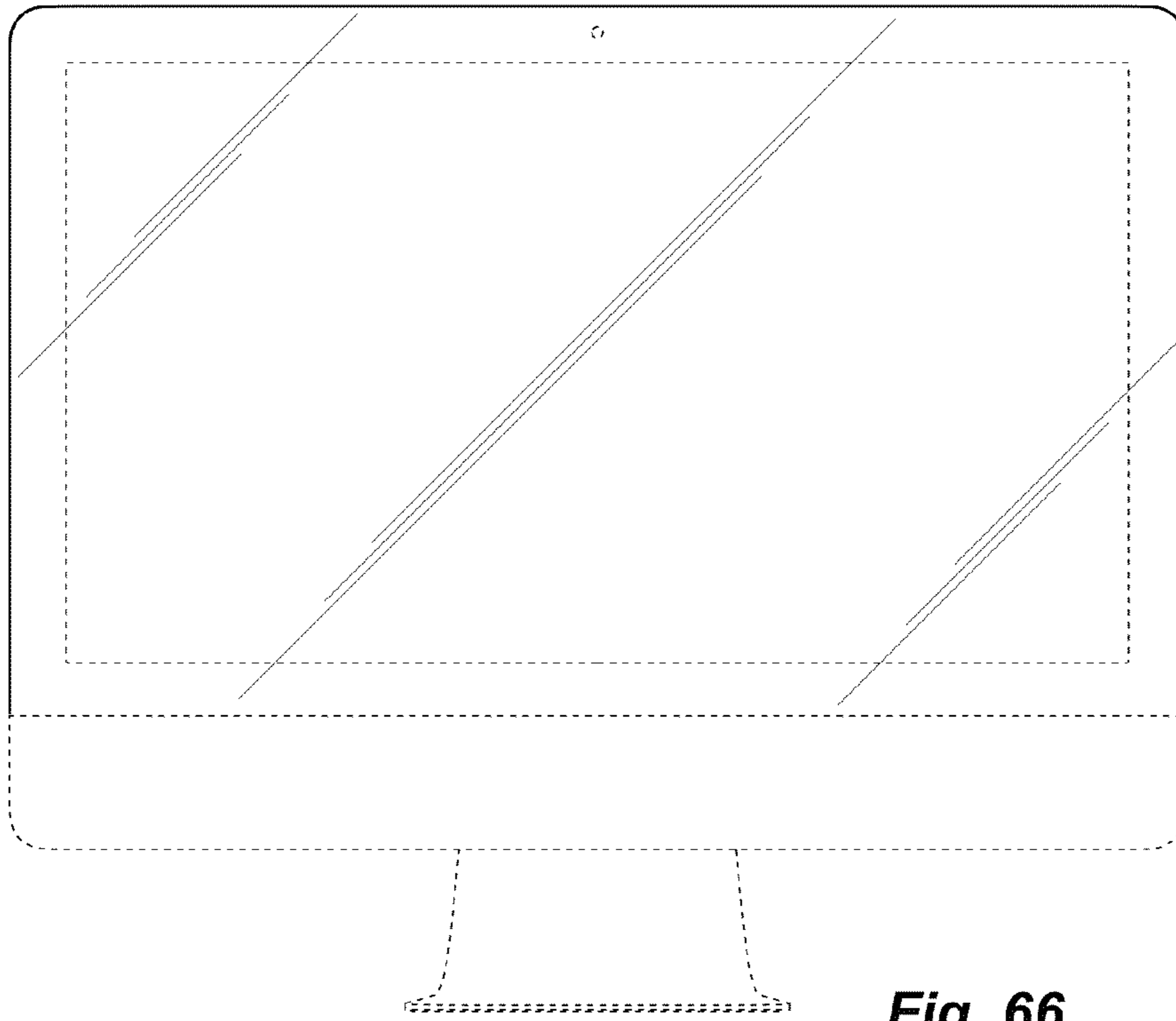


Fig. 66

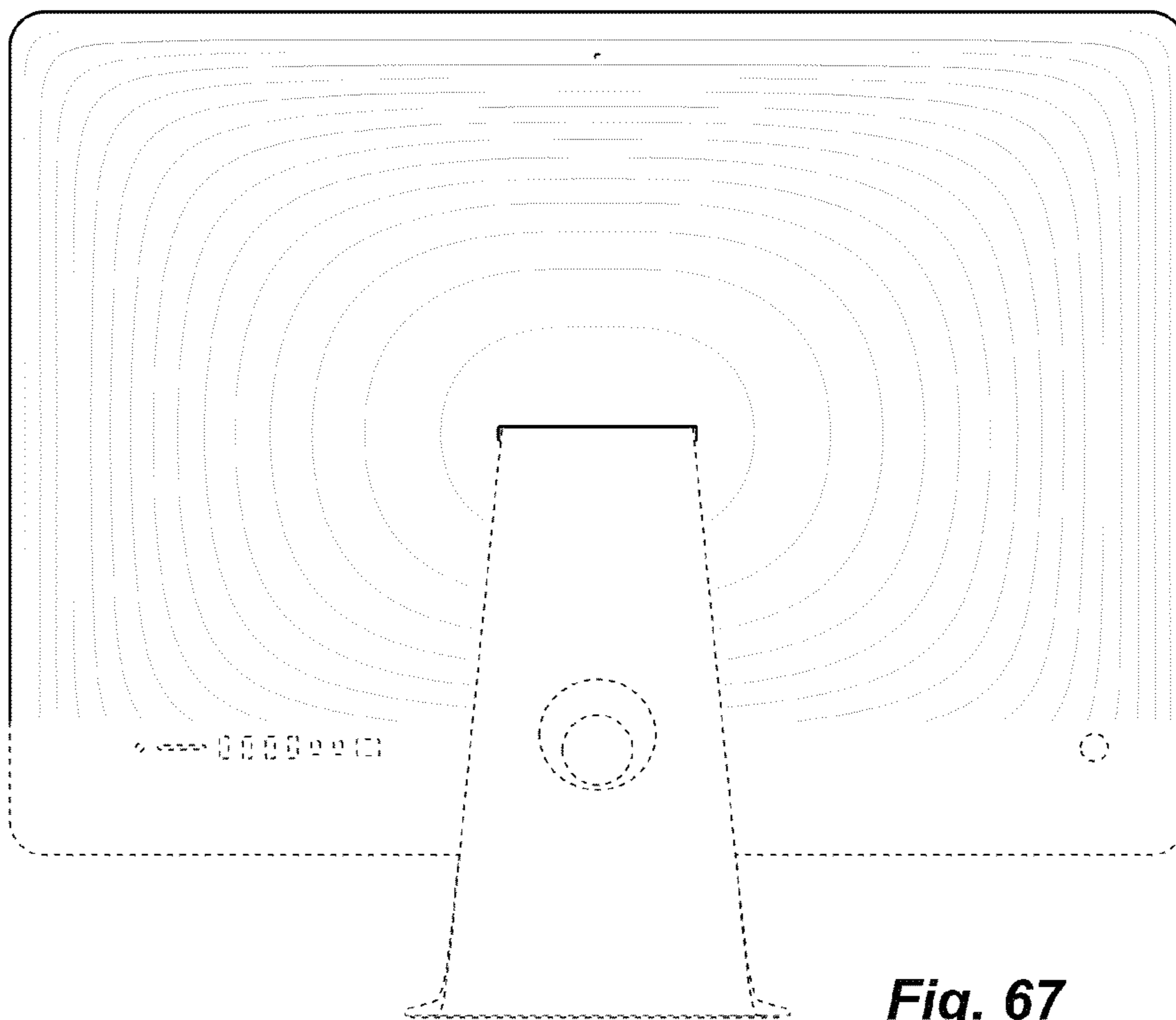


Fig. 67

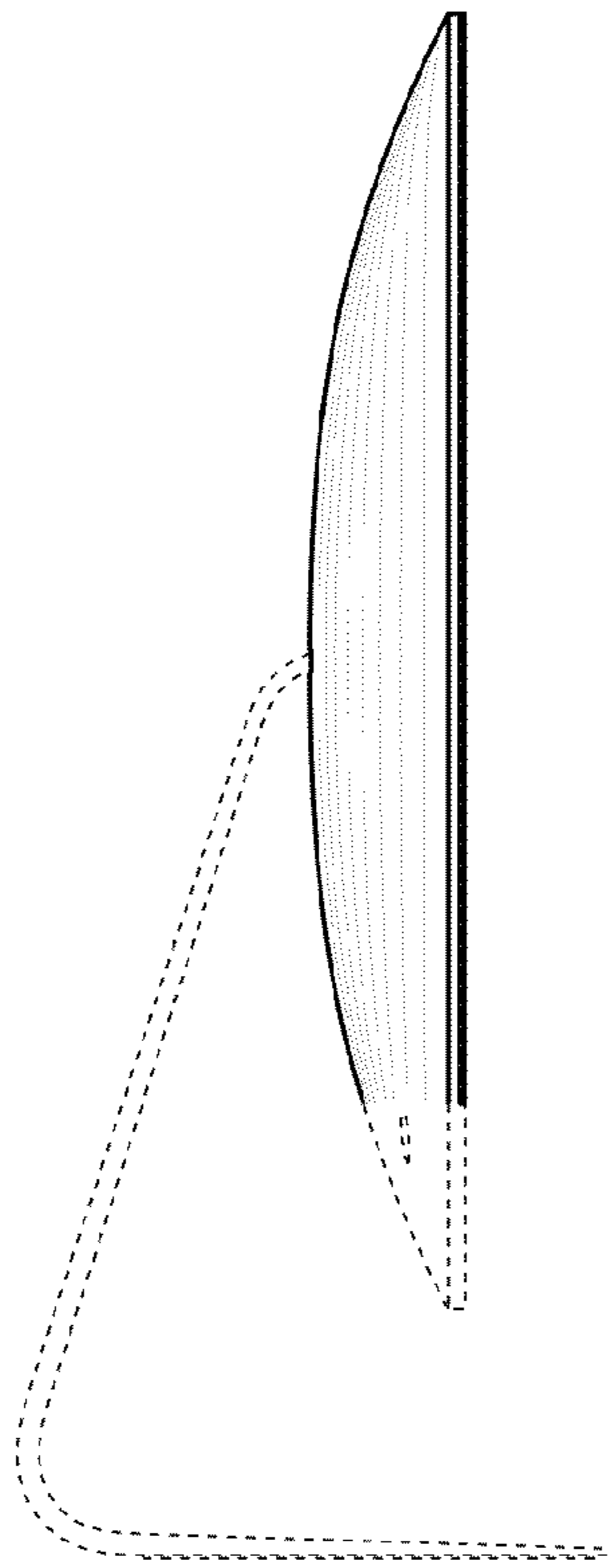


Fig. 68

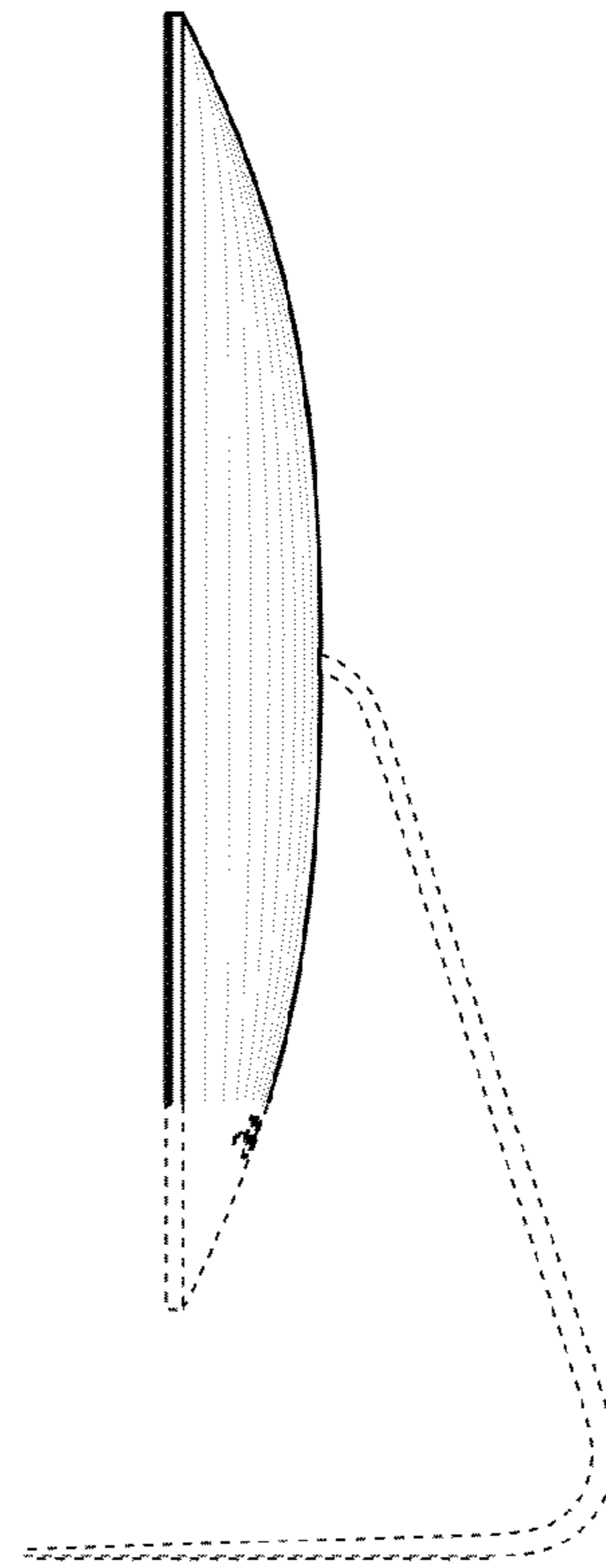


Fig. 69

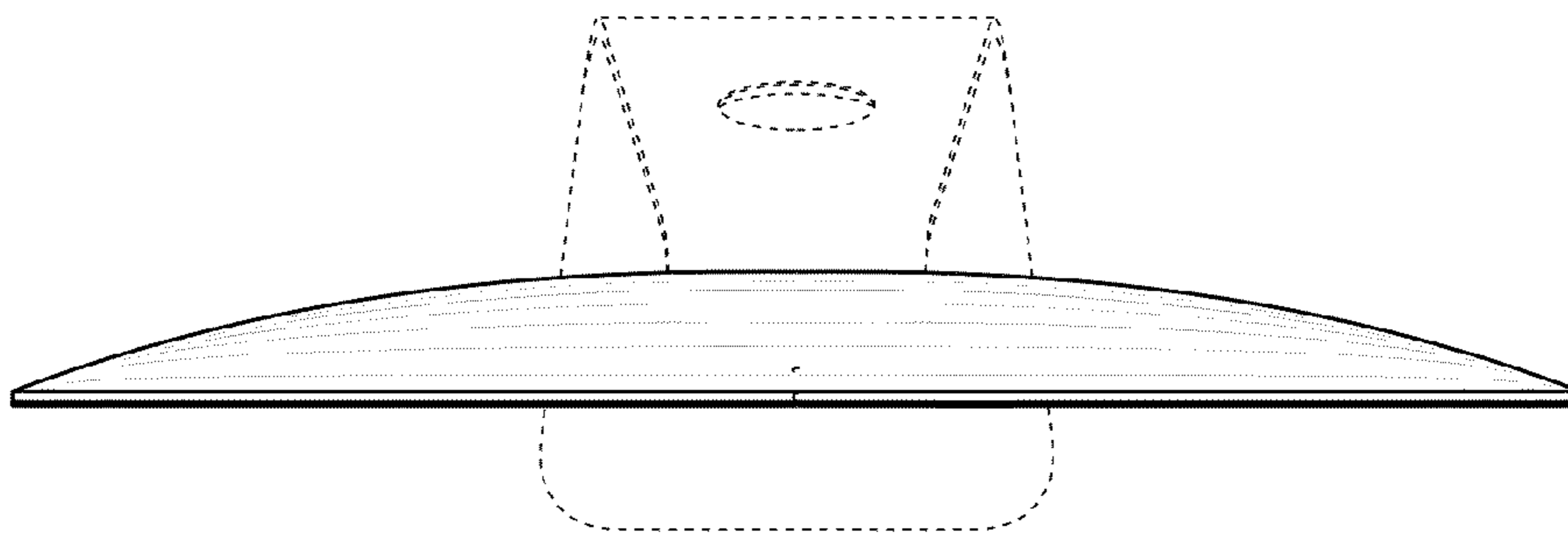


Fig. 70

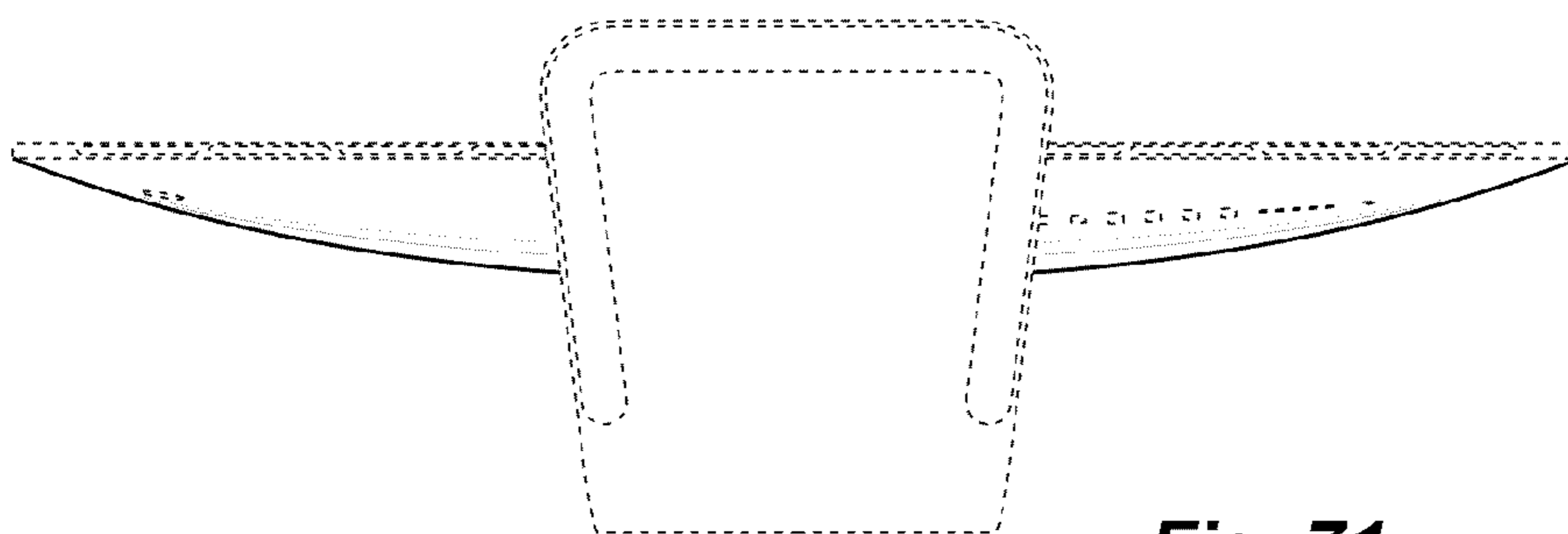


Fig. 71

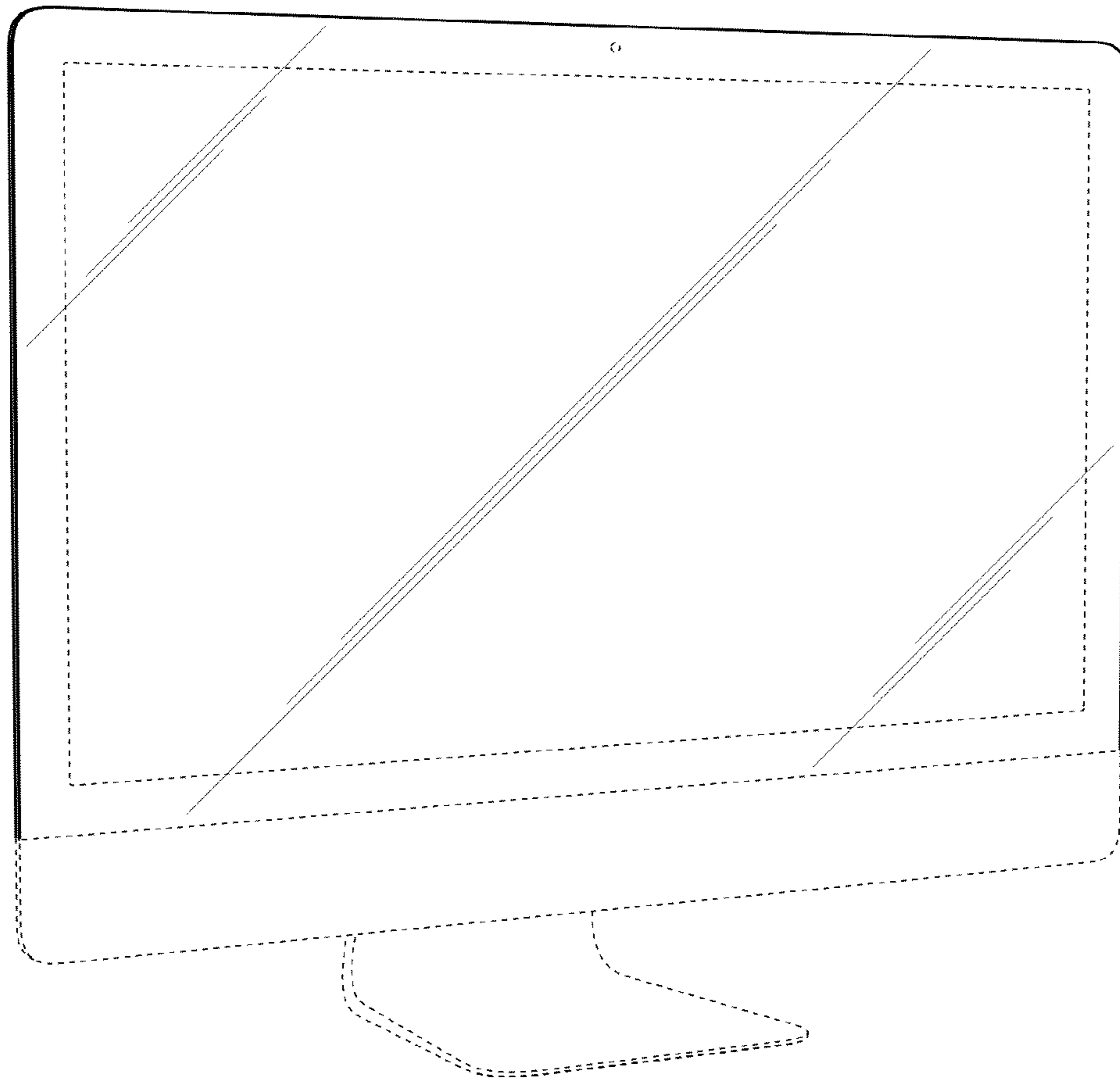


Fig. 72

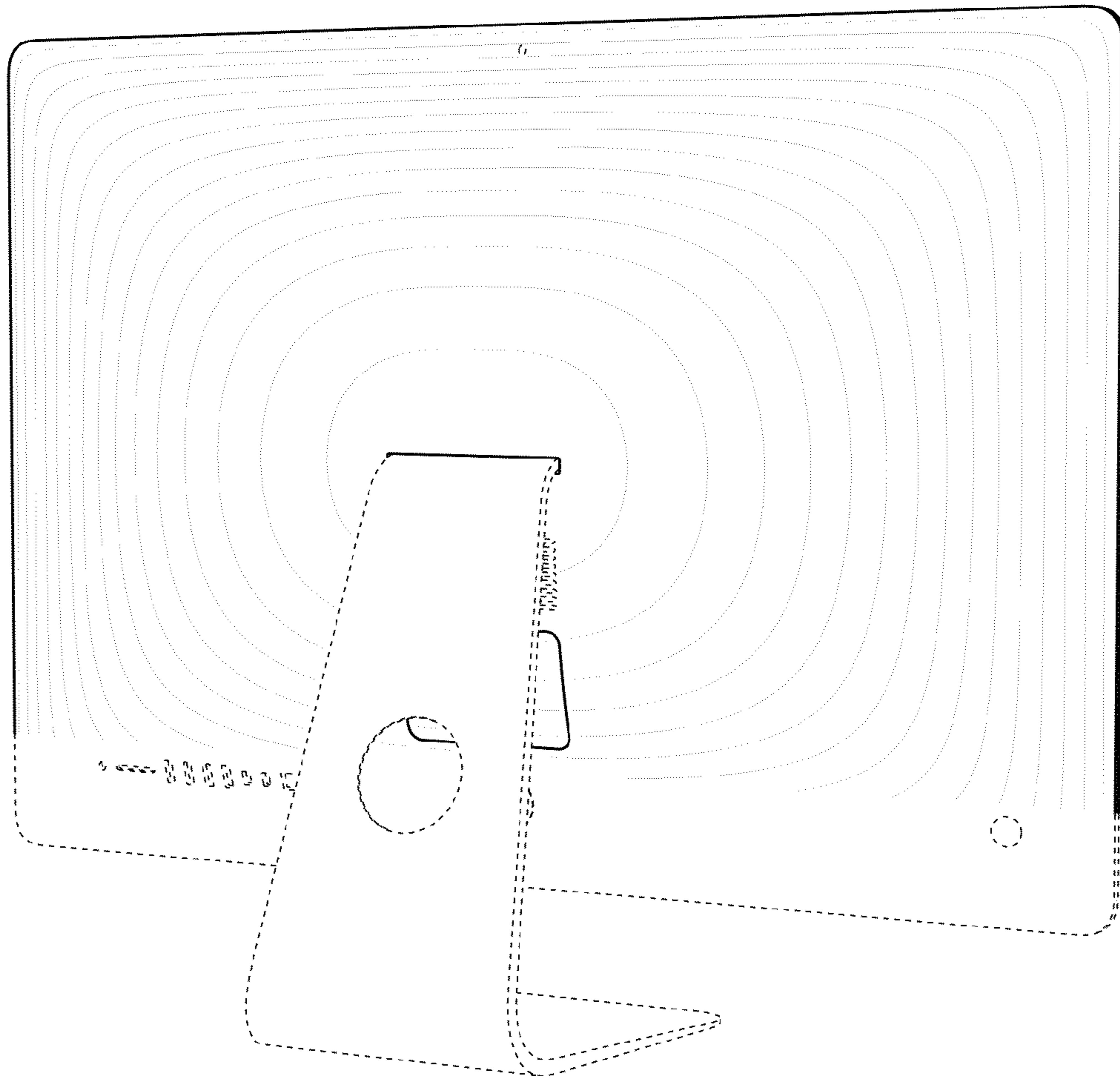


Fig. 73

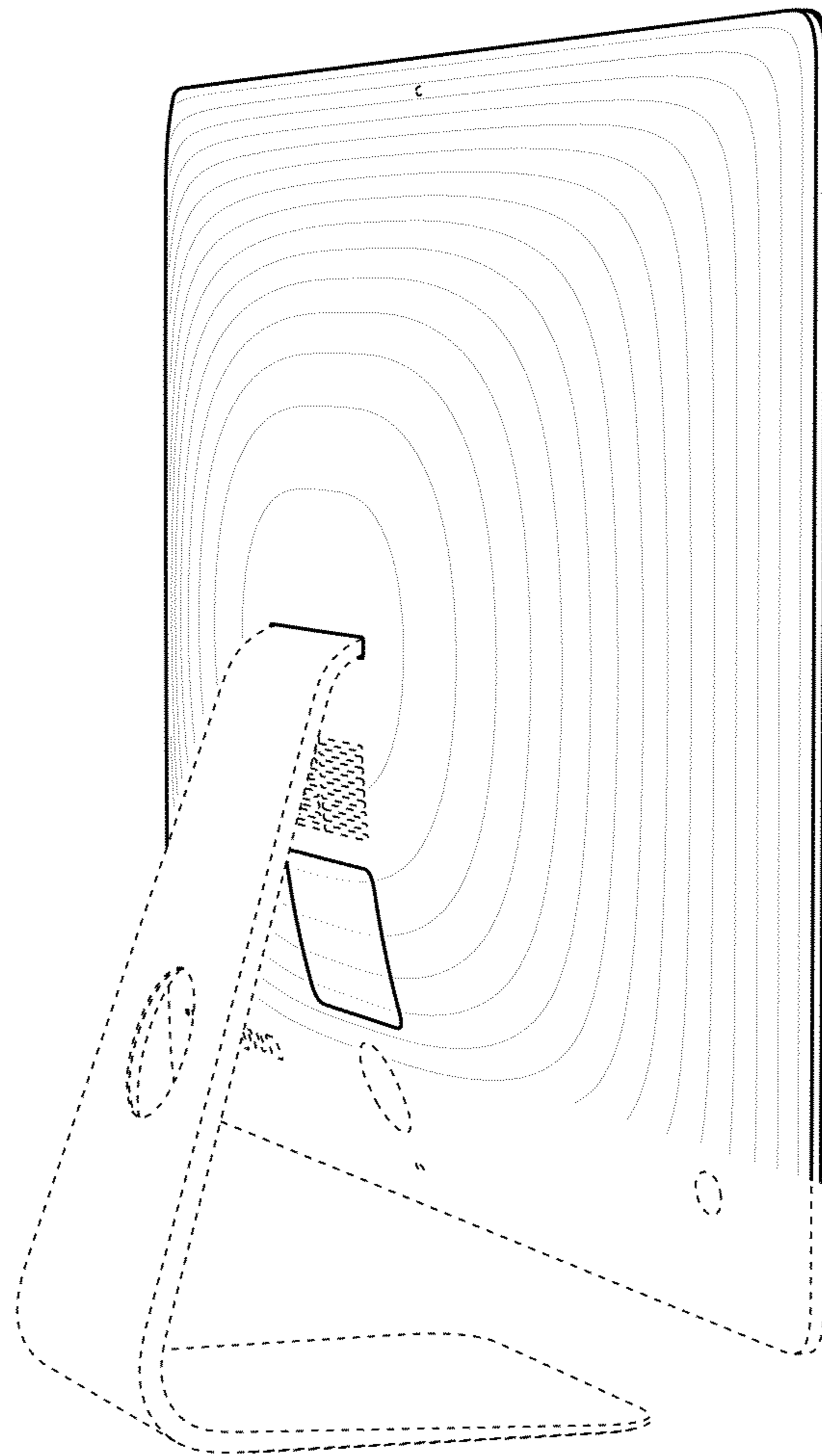


Fig. 74

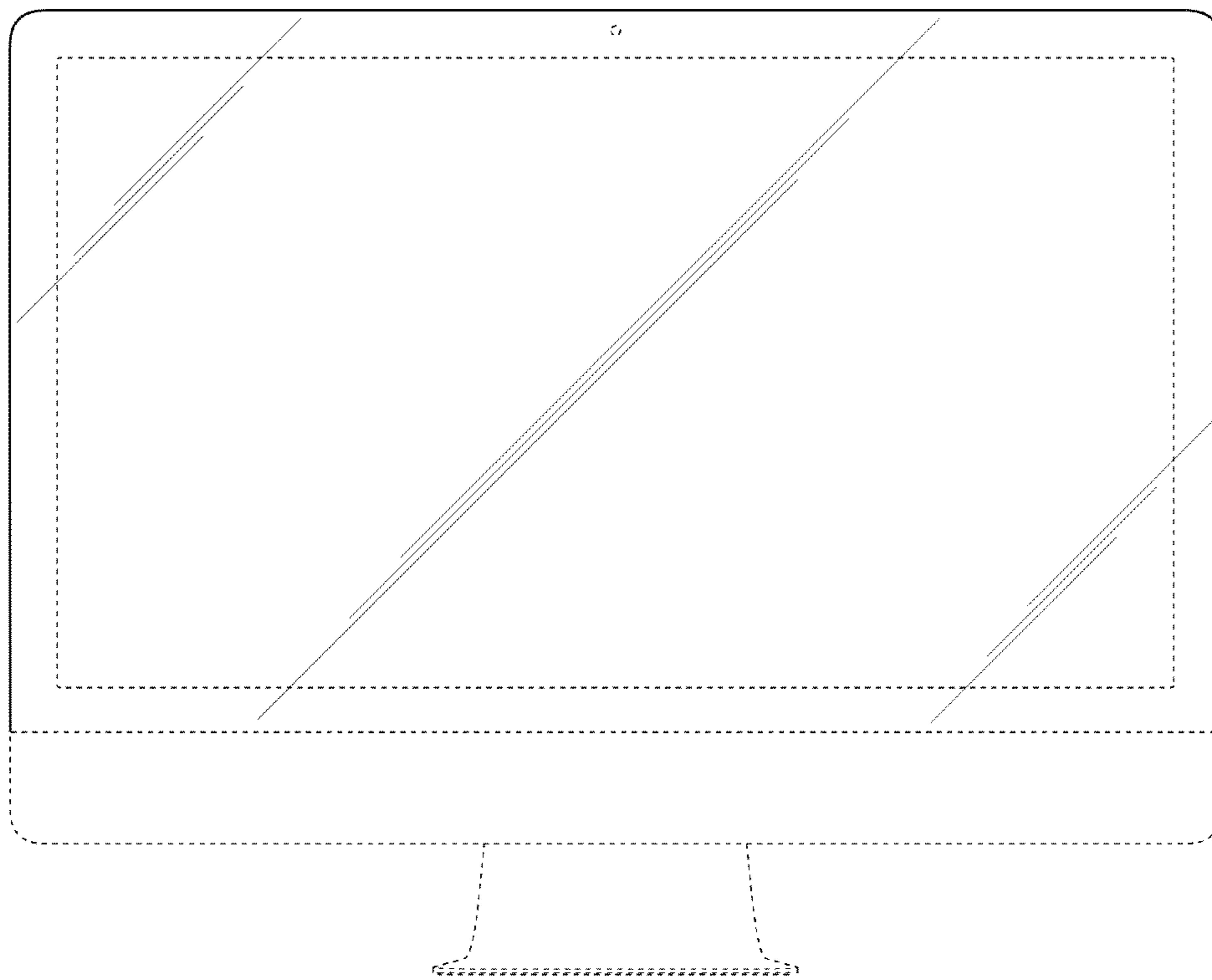


Fig. 75

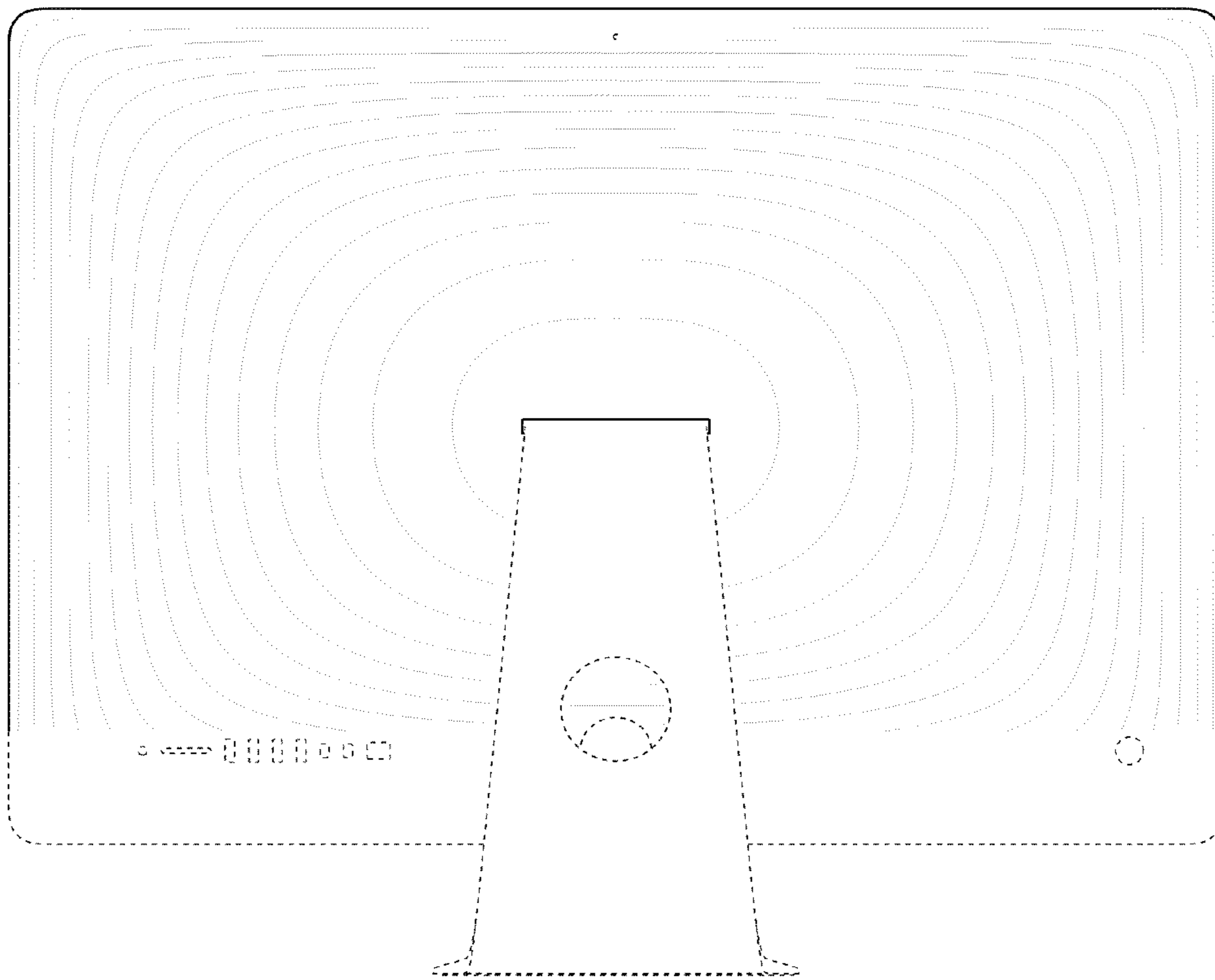


Fig. 76

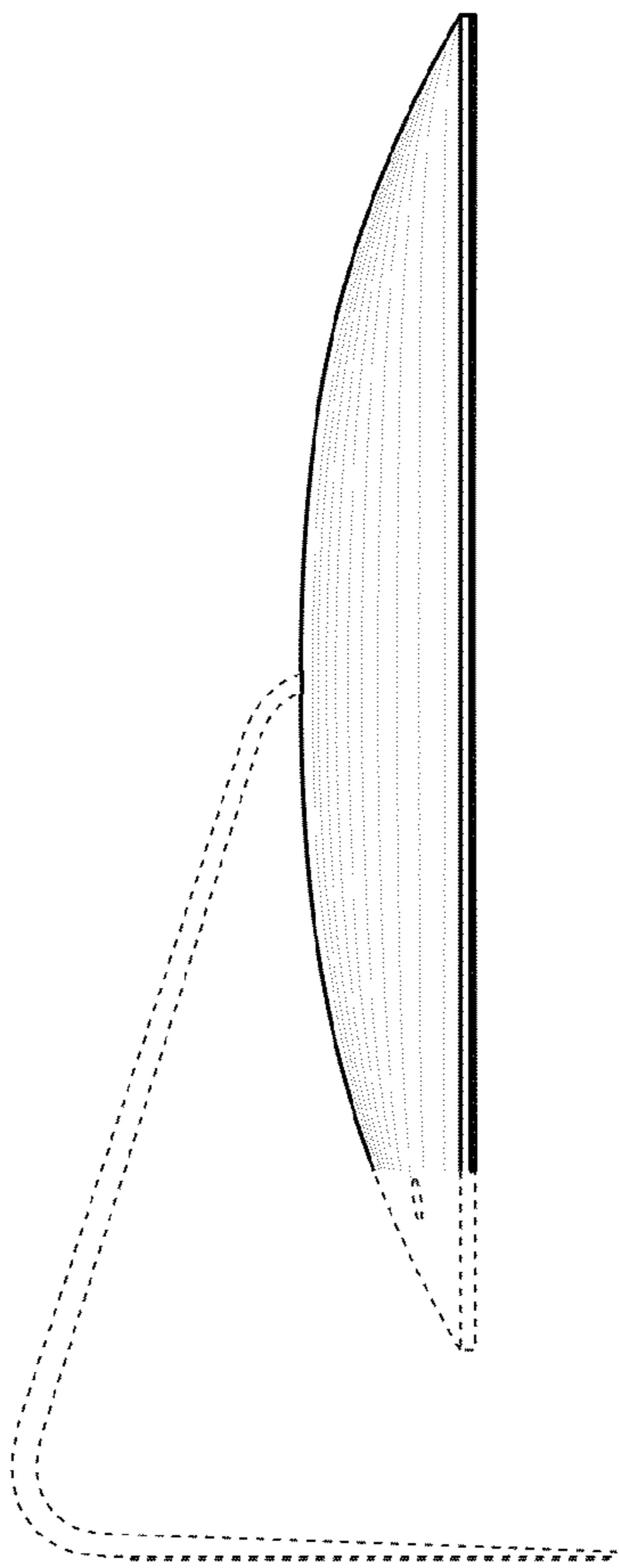


Fig. 77

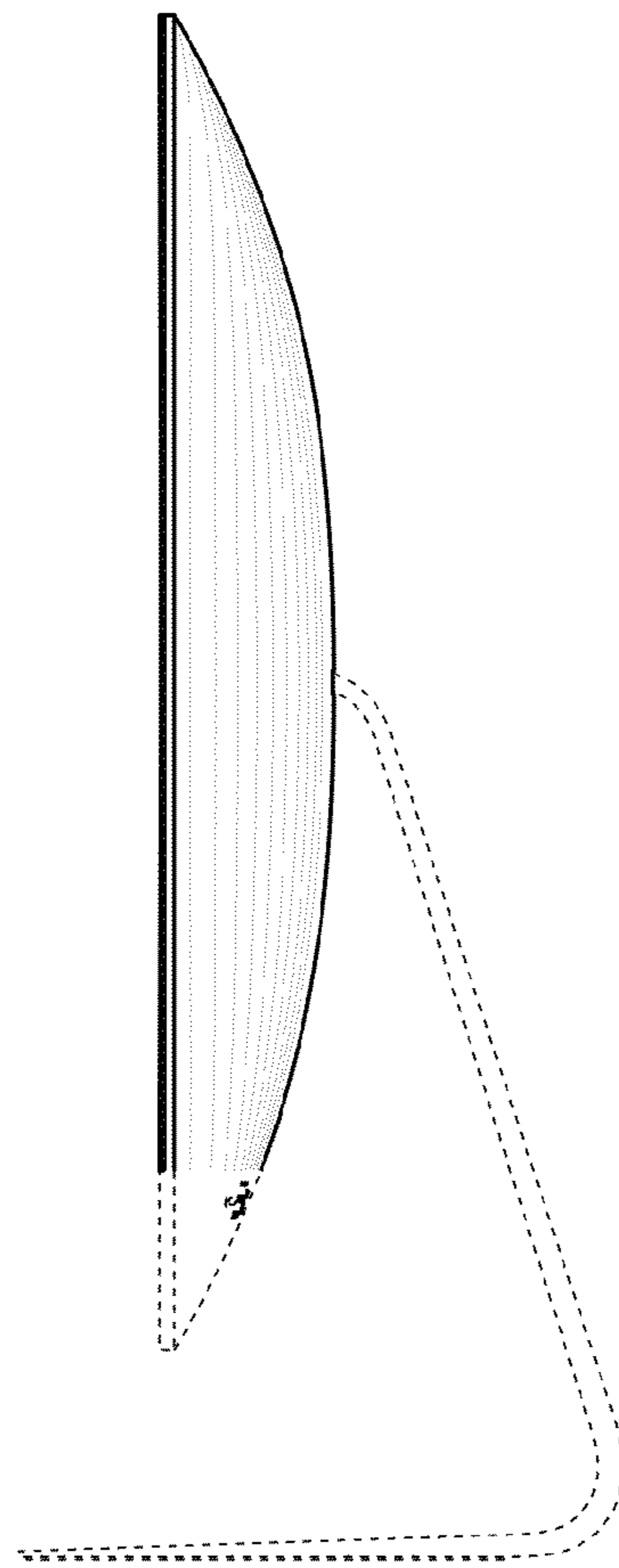


Fig. 78

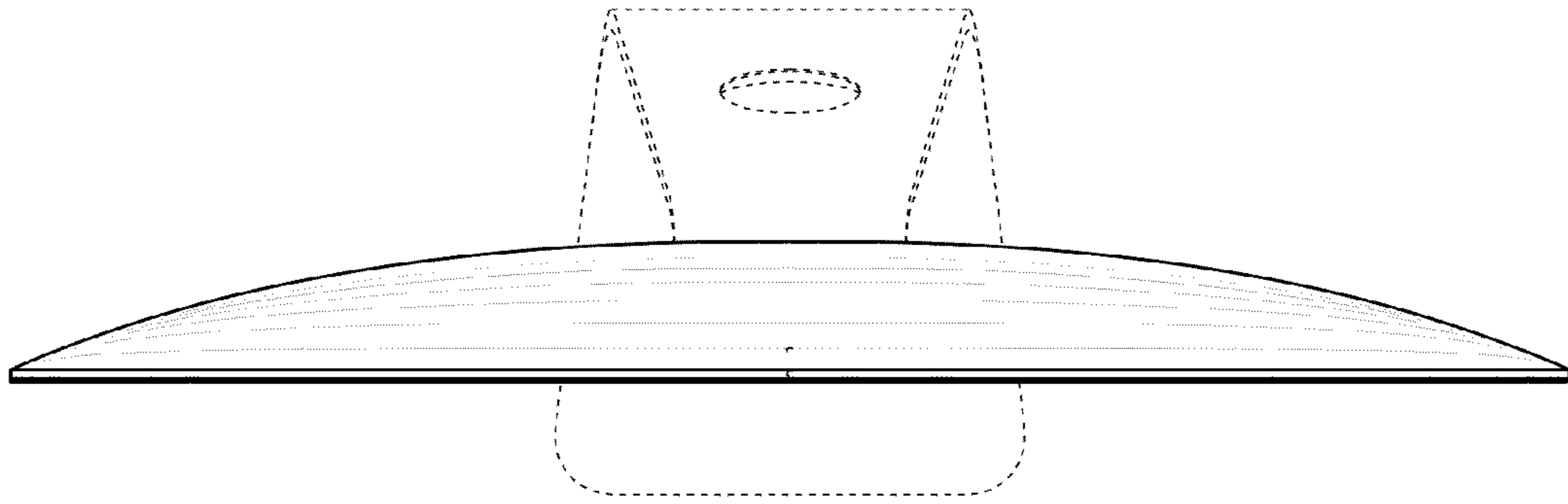


Fig. 79

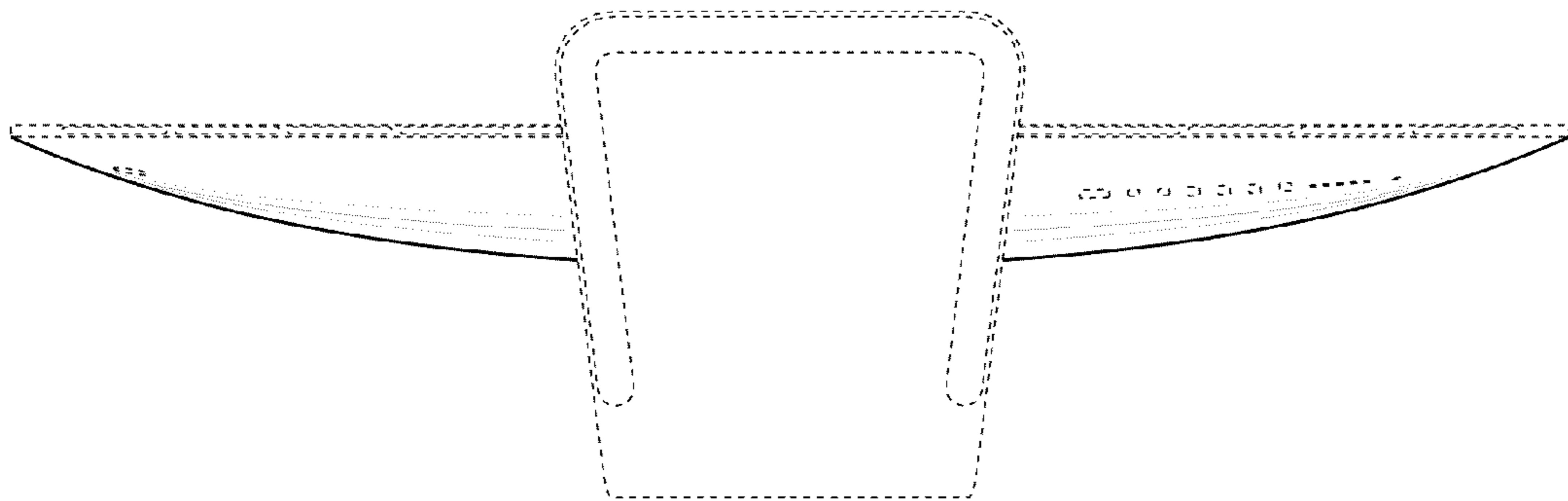


Fig. 80

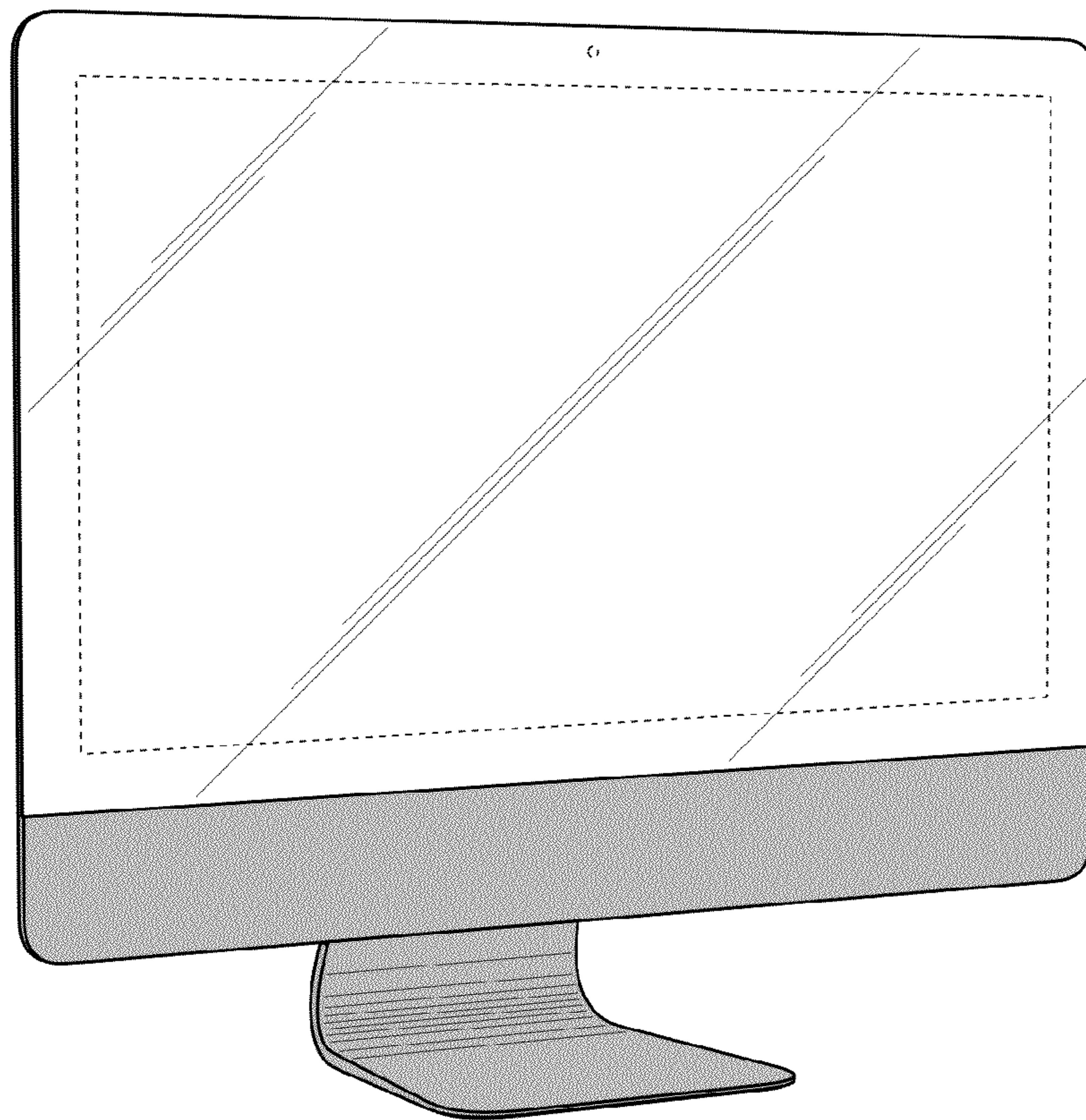


Fig. 81

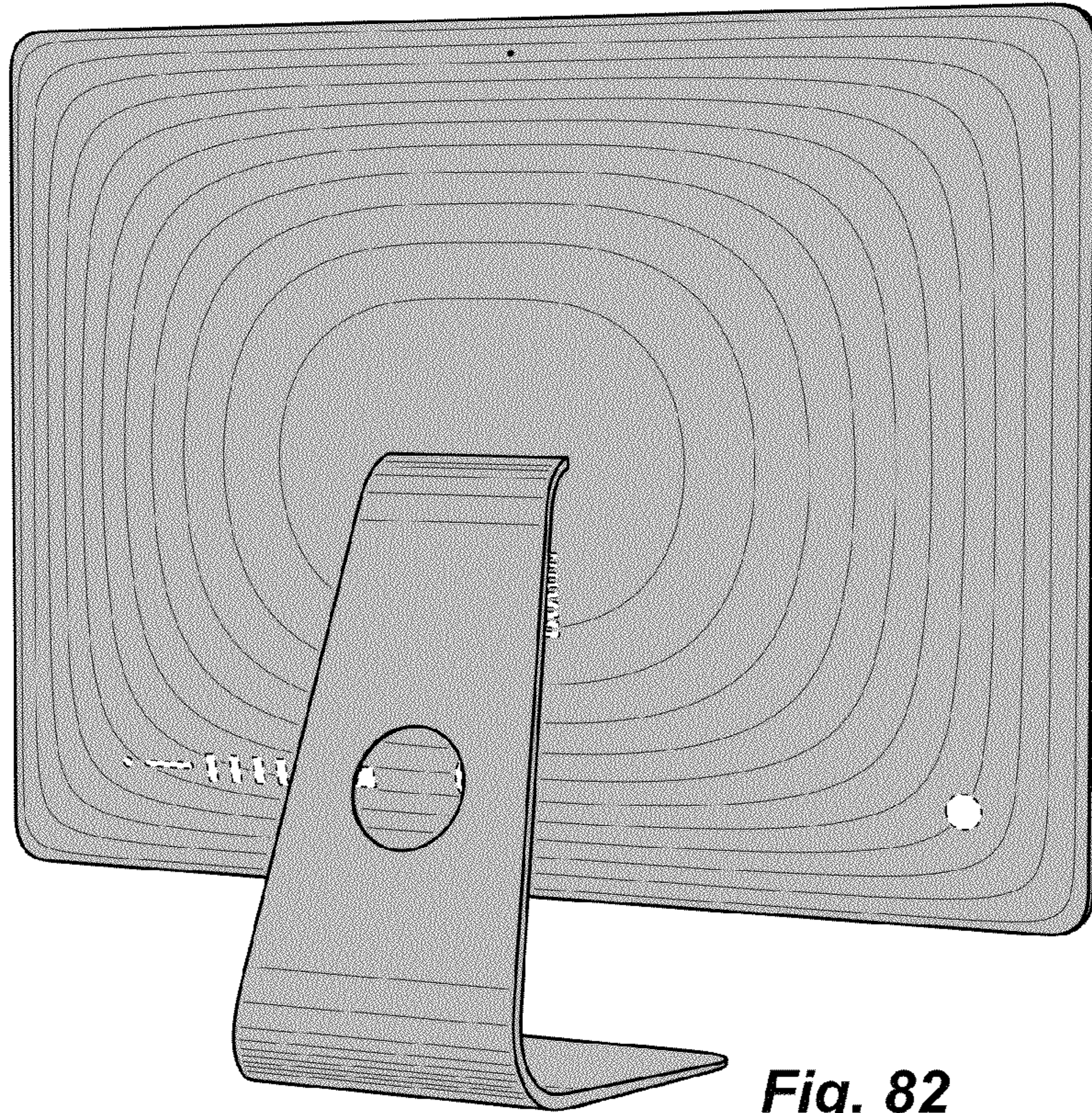


Fig. 82

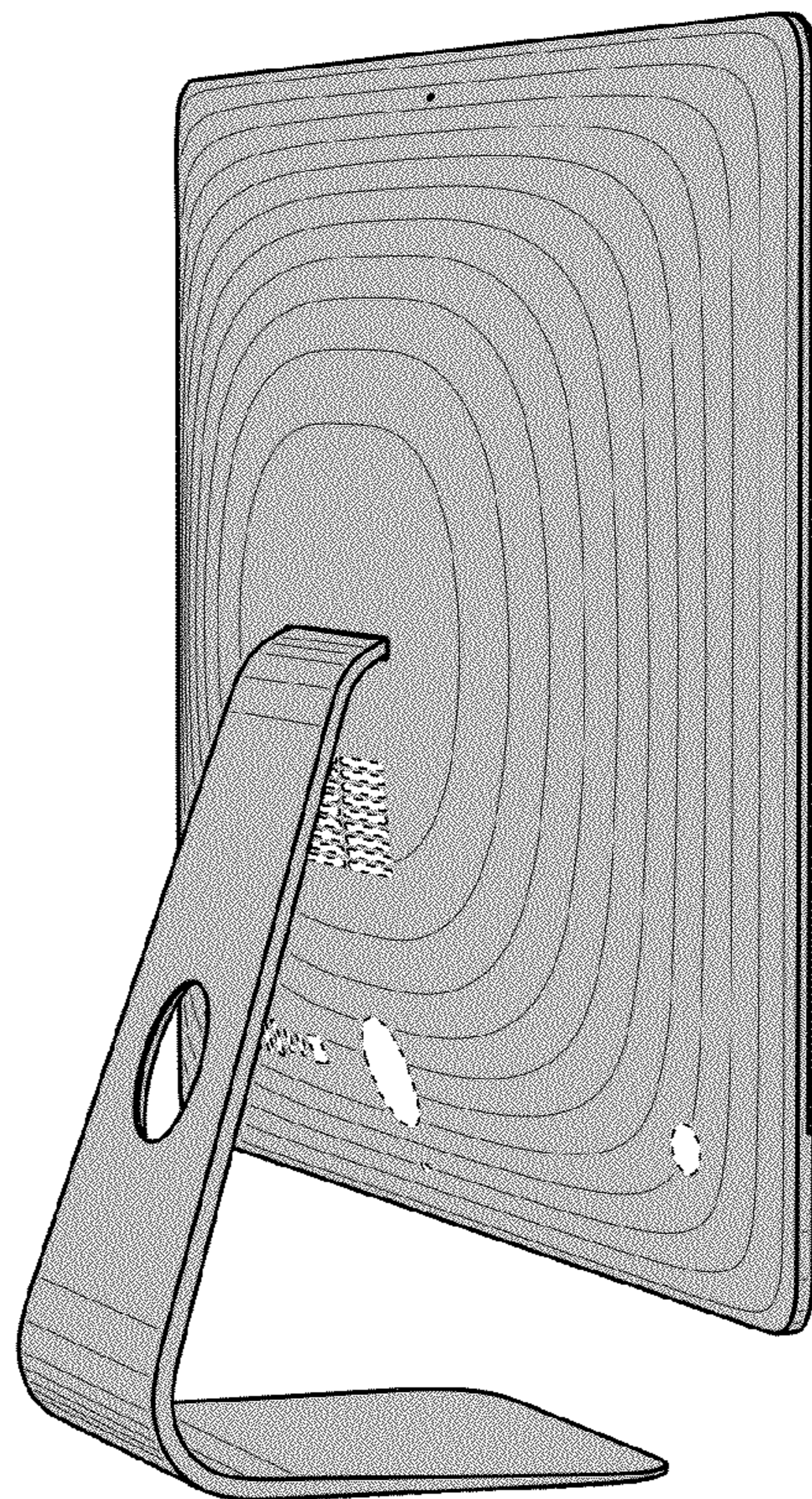


Fig. 83

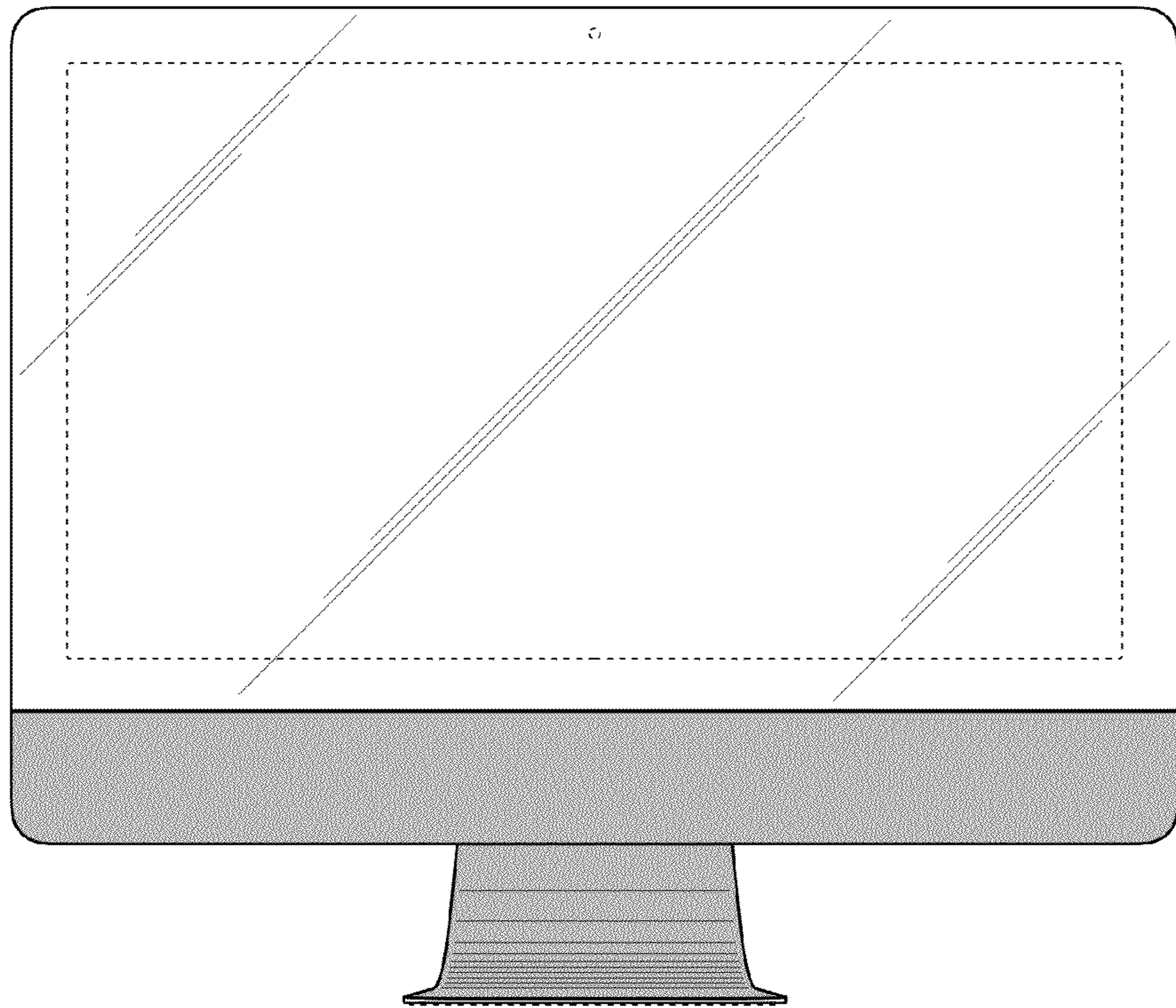


Fig. 84

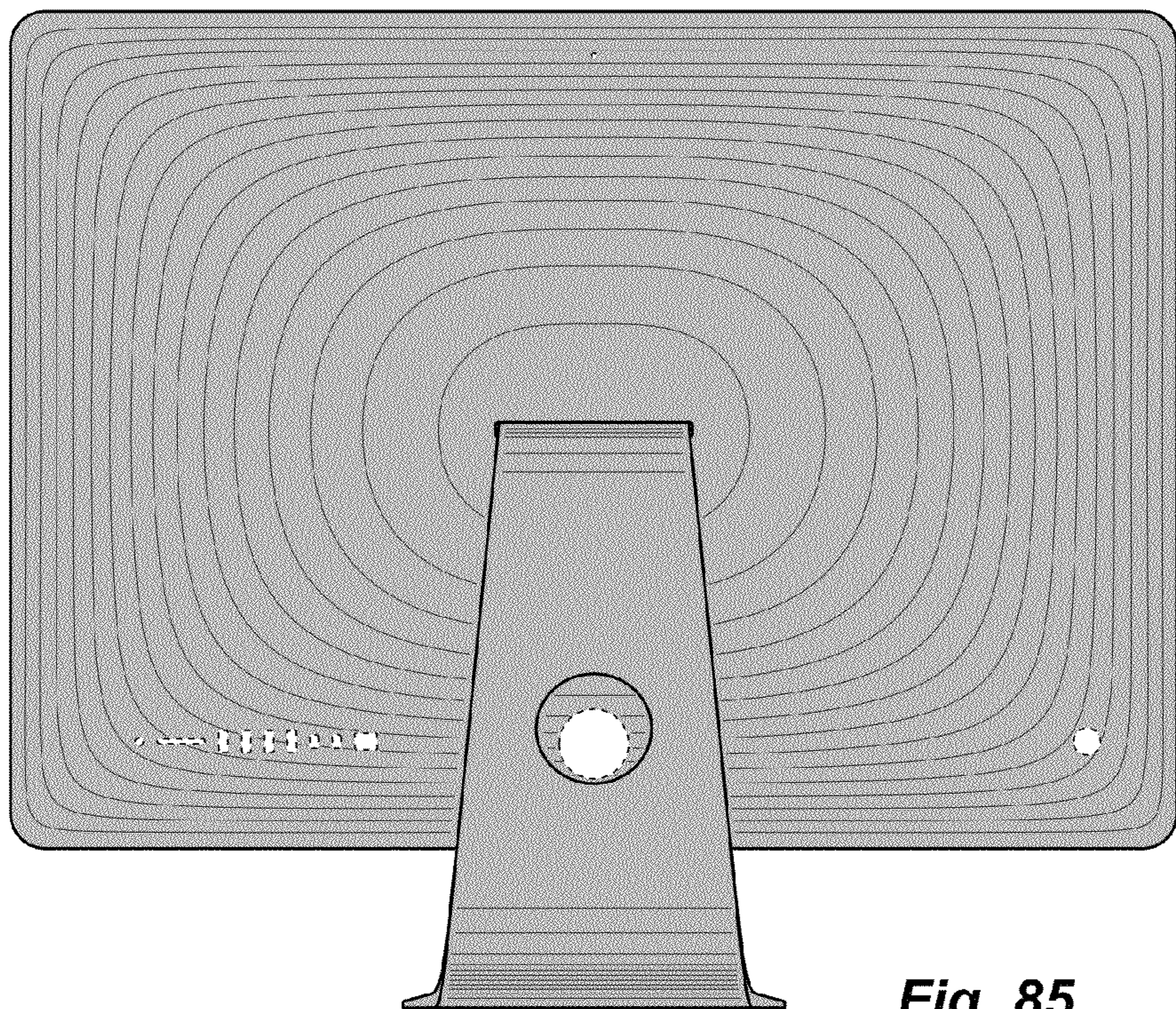


Fig. 85

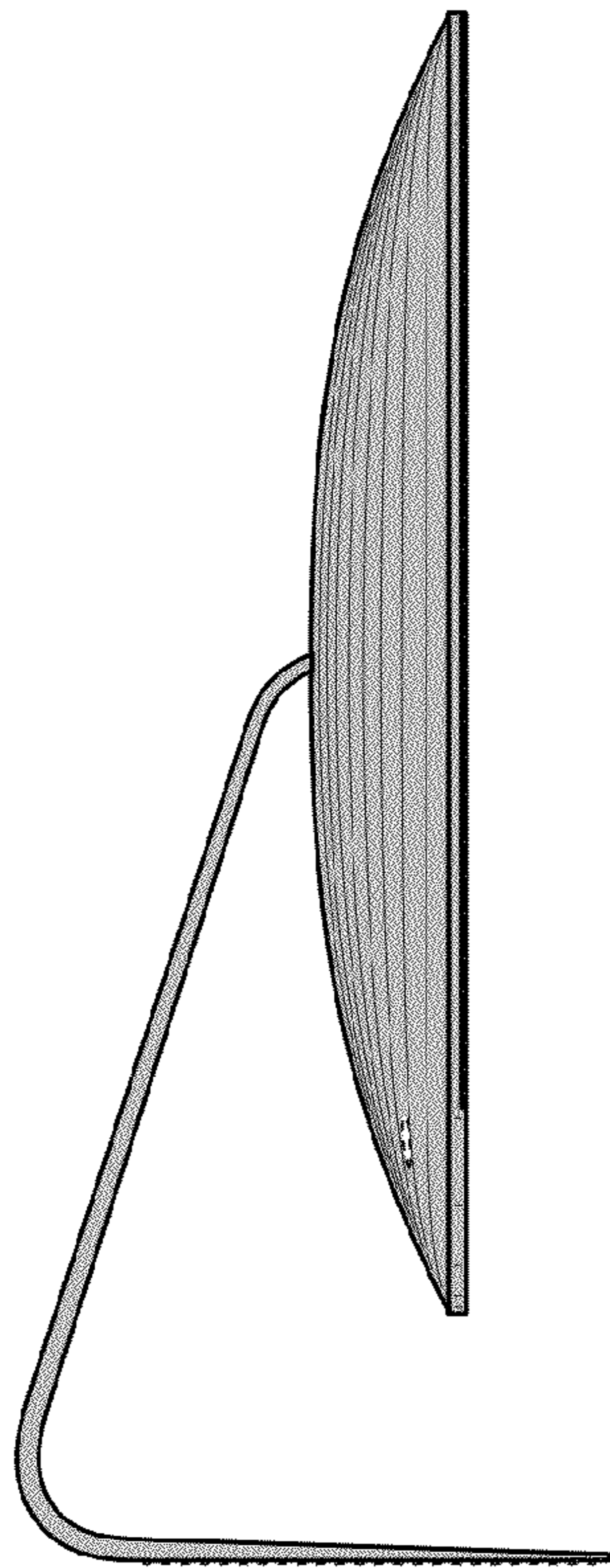


Fig. 86

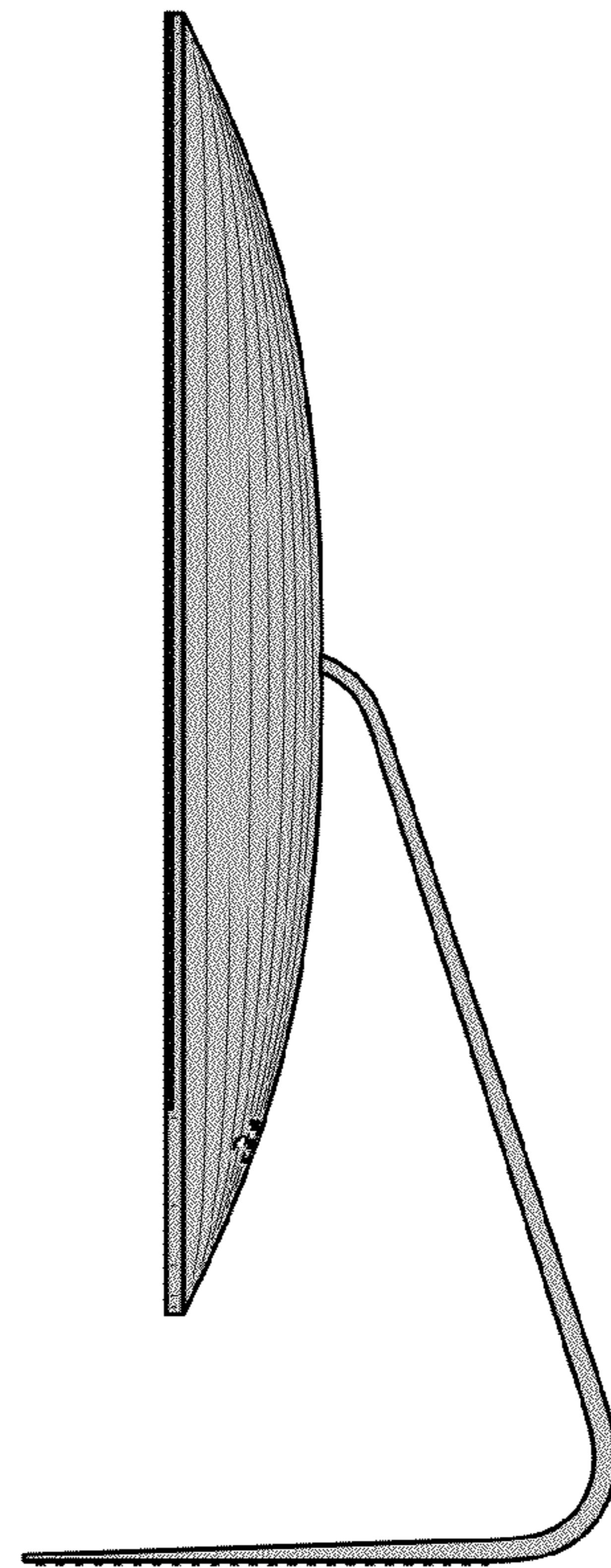


Fig. 87

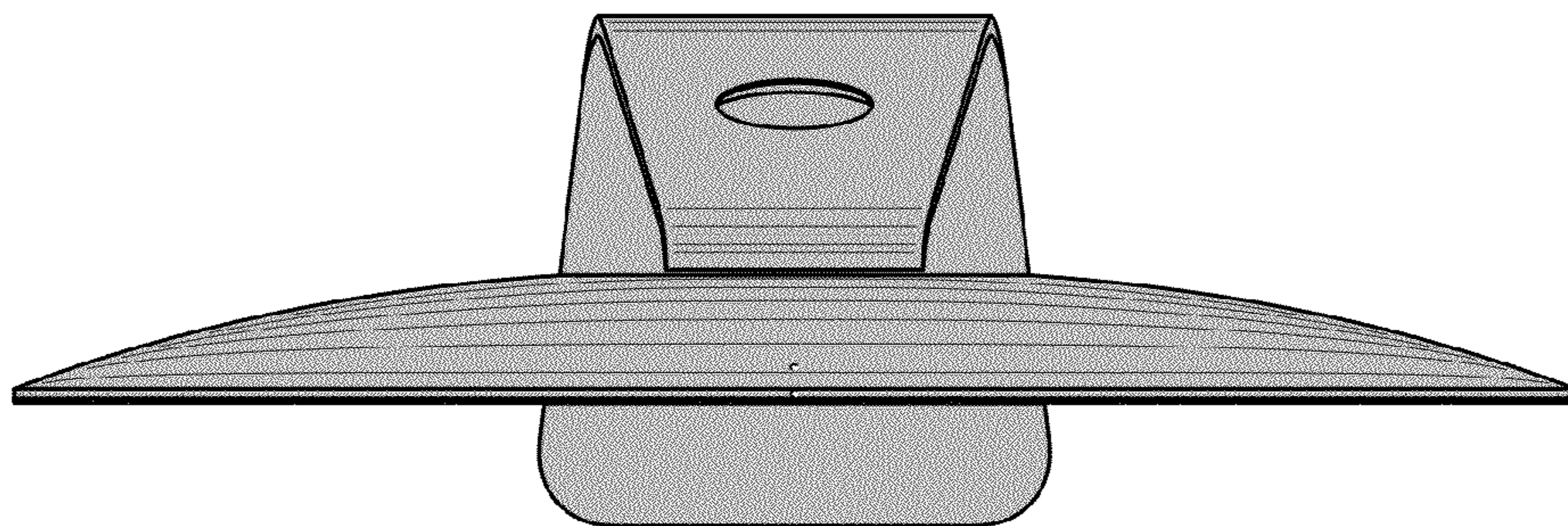


Fig. 88

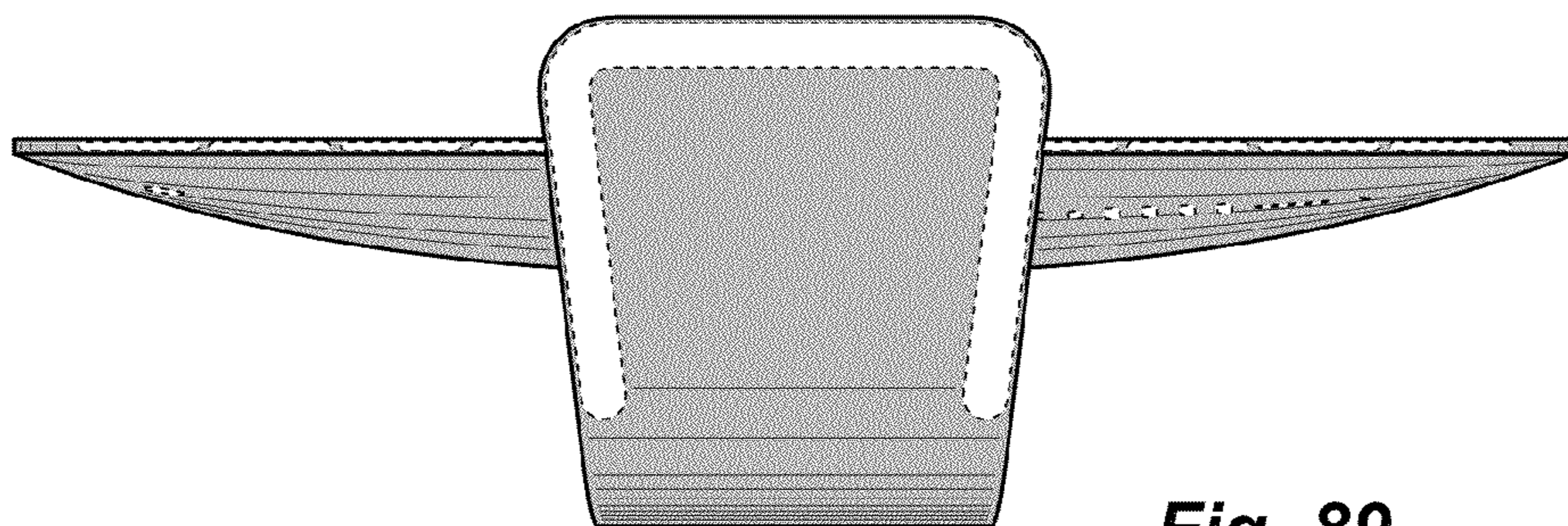


Fig. 89

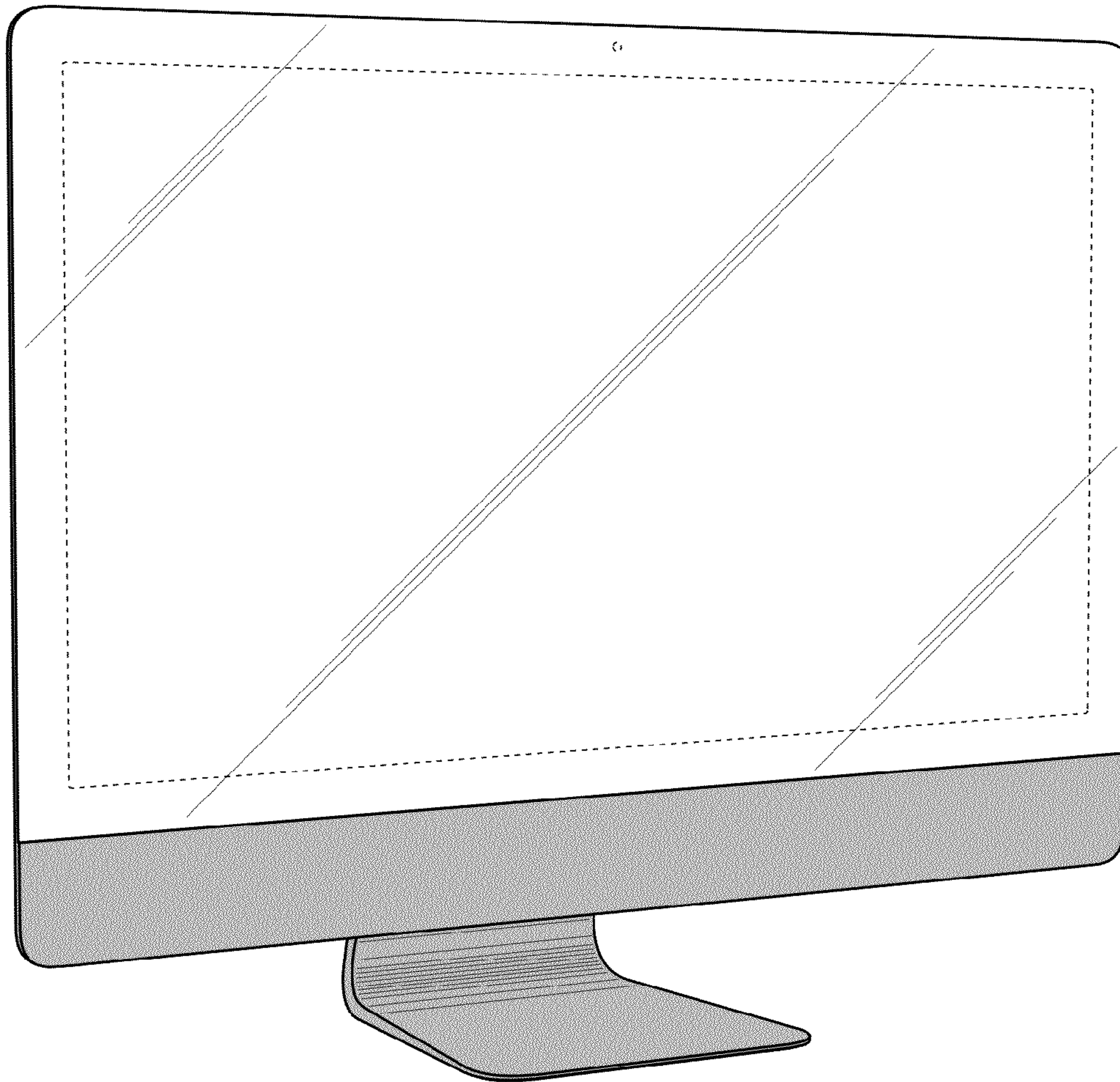


Fig. 90

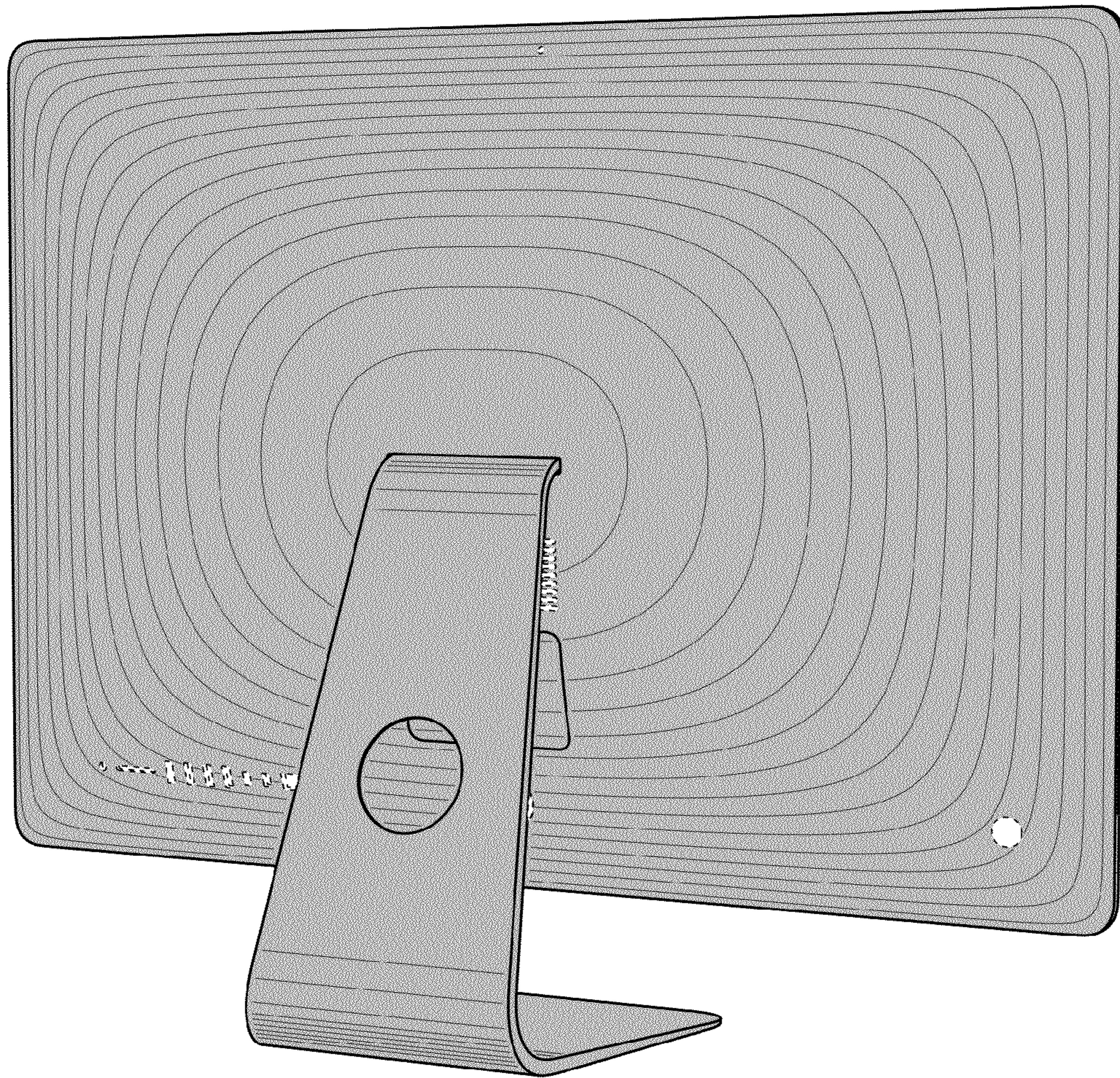


Fig. 91

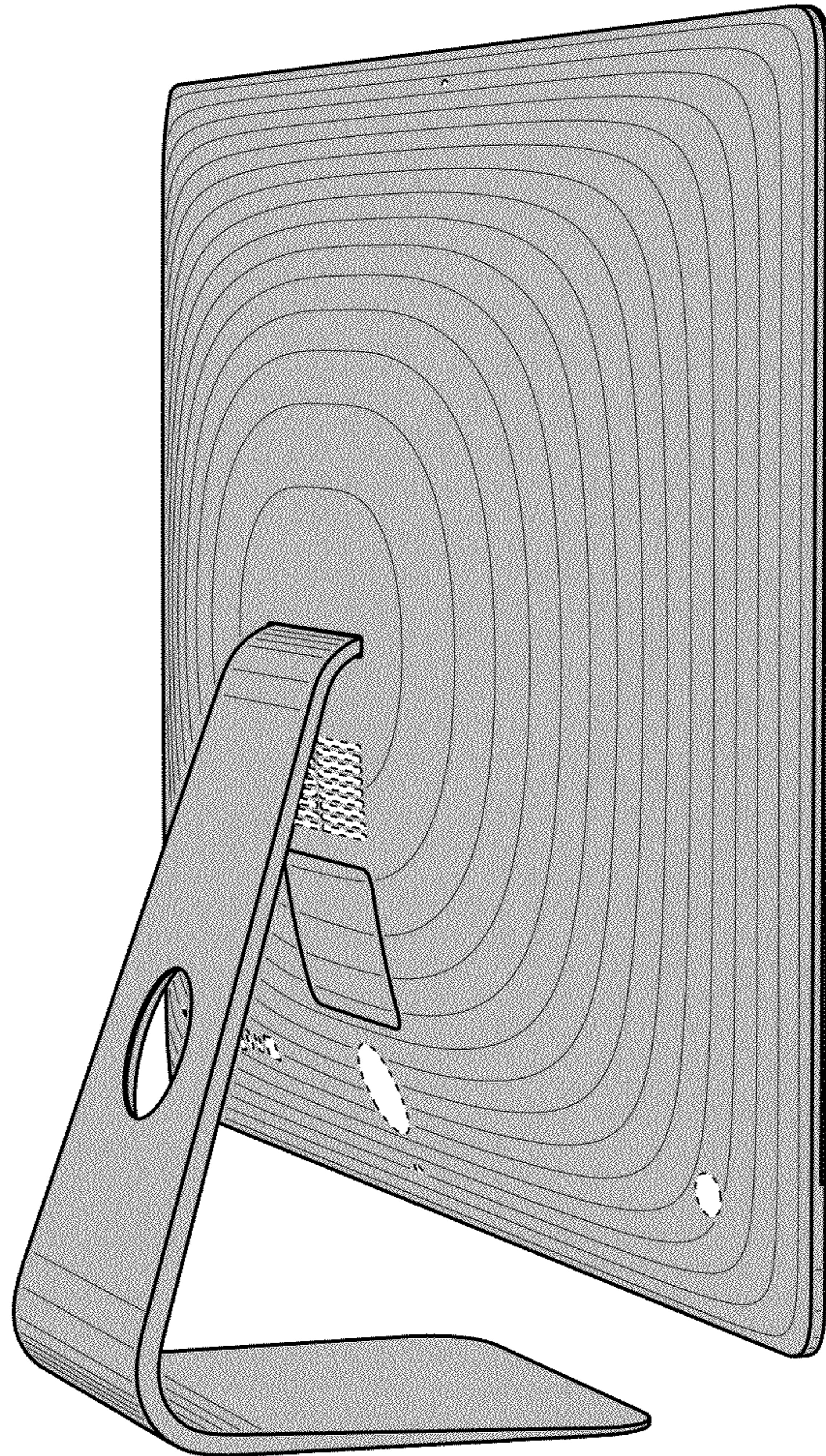


Fig. 92

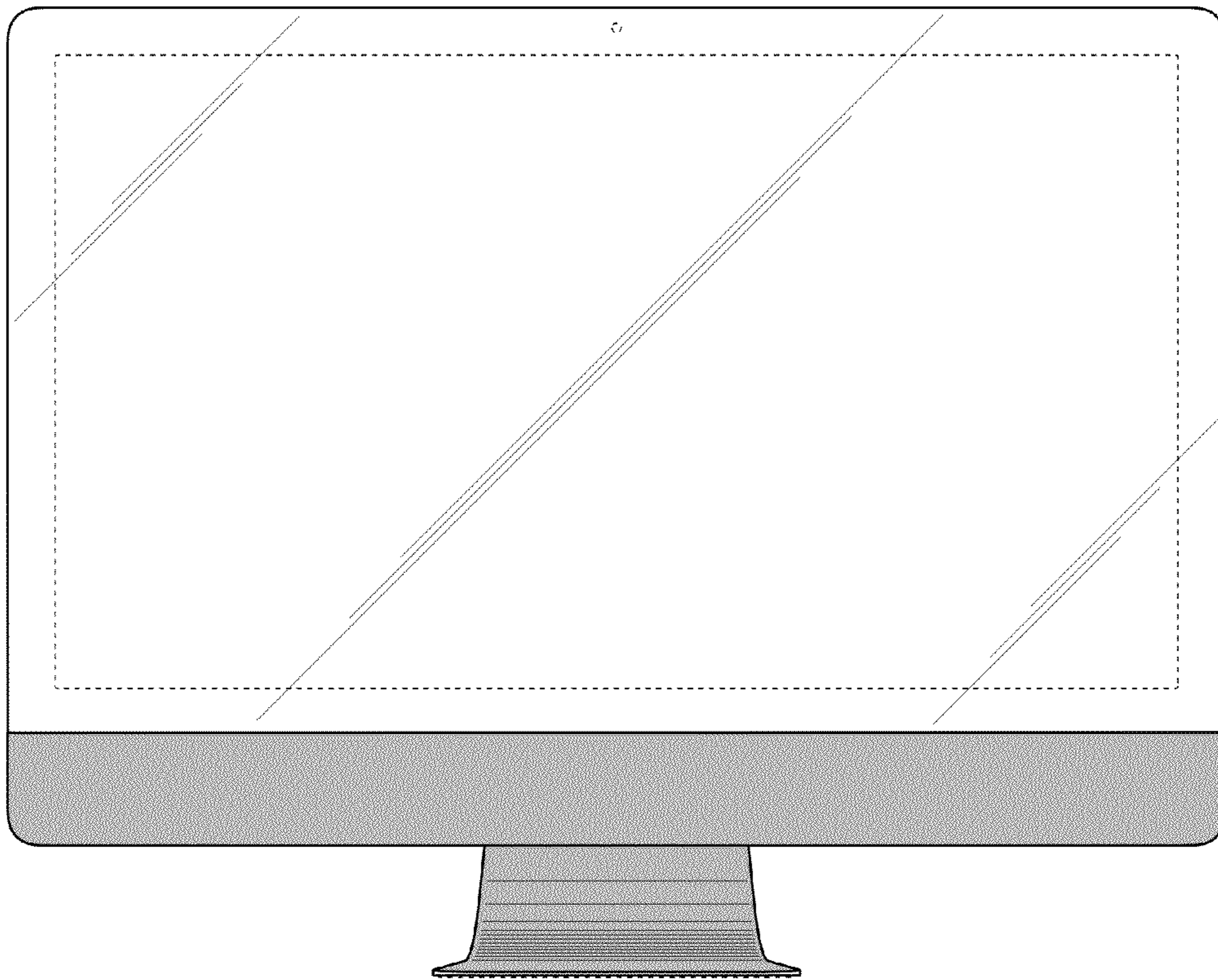


Fig. 93

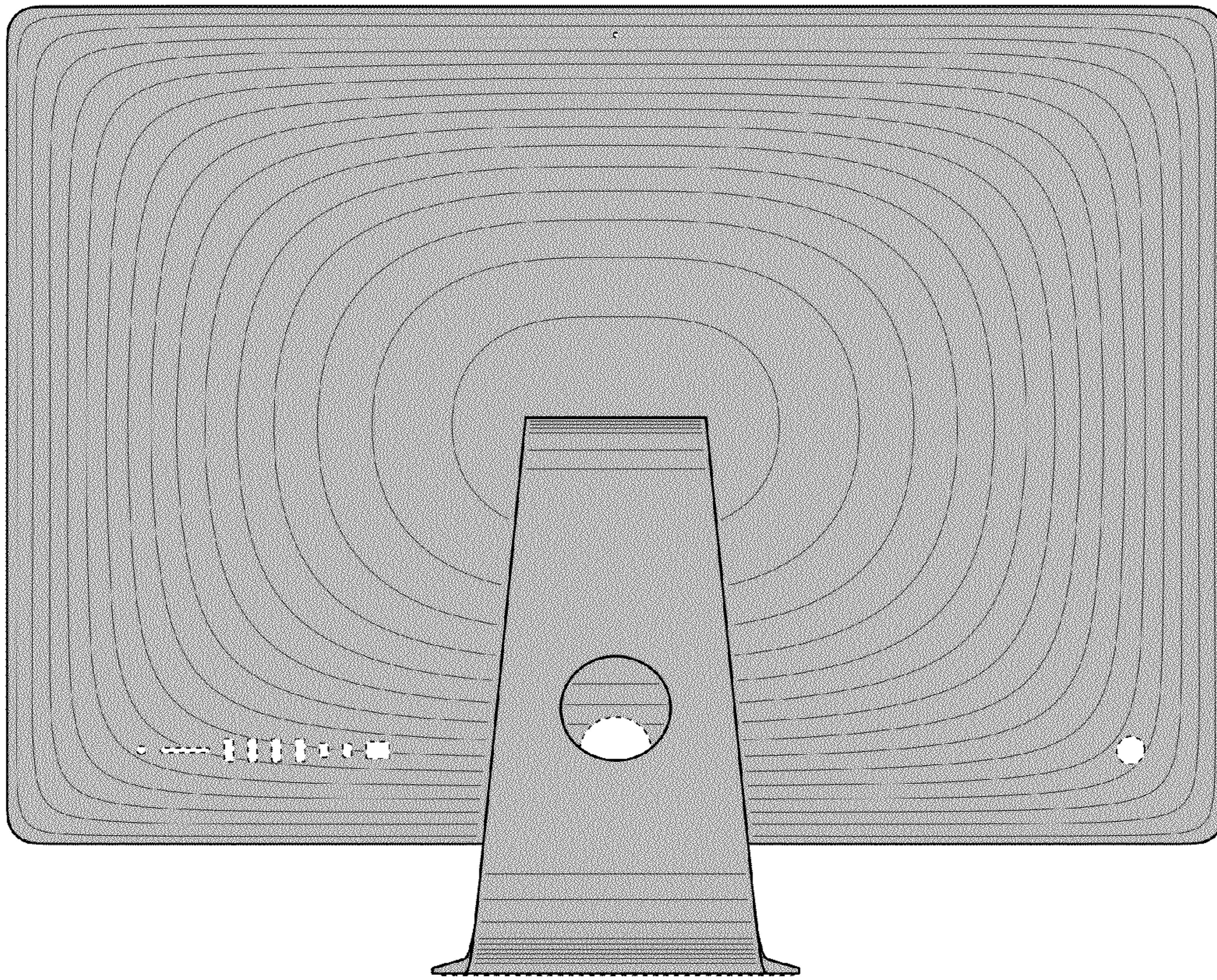


Fig. 94

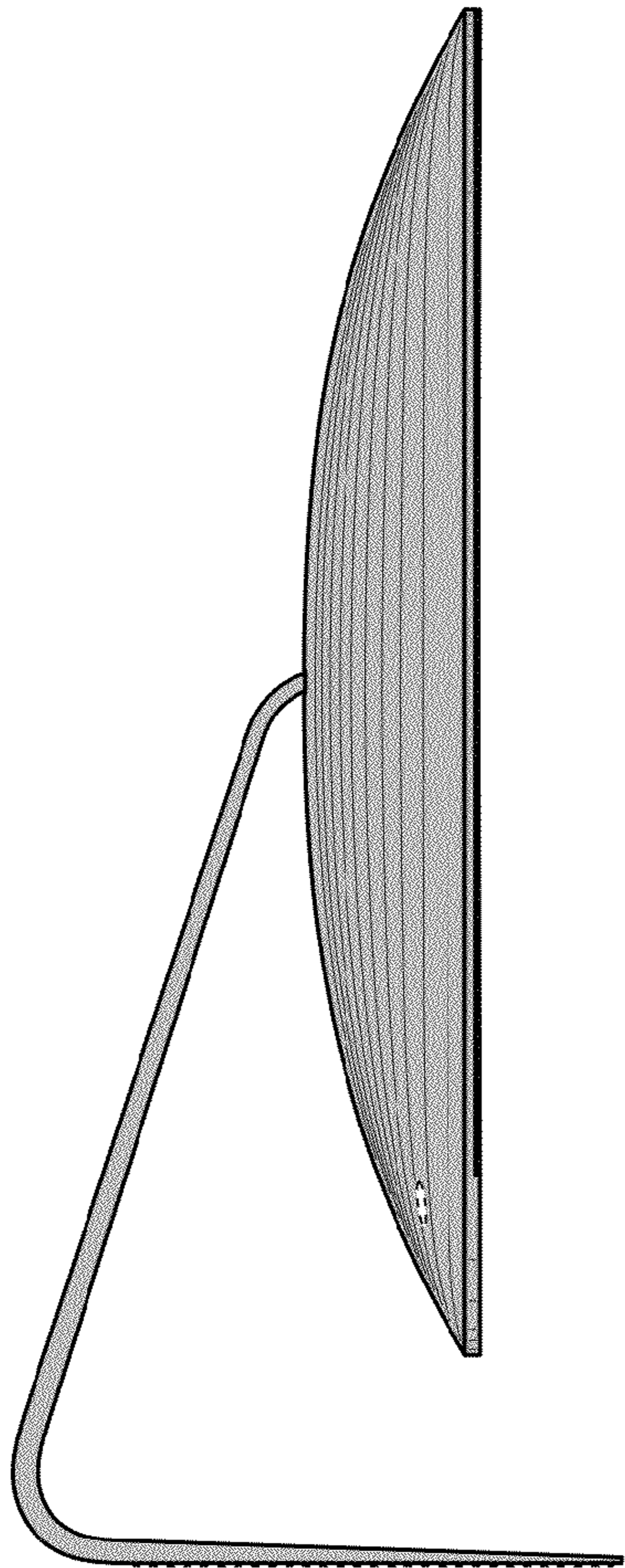


Fig. 95

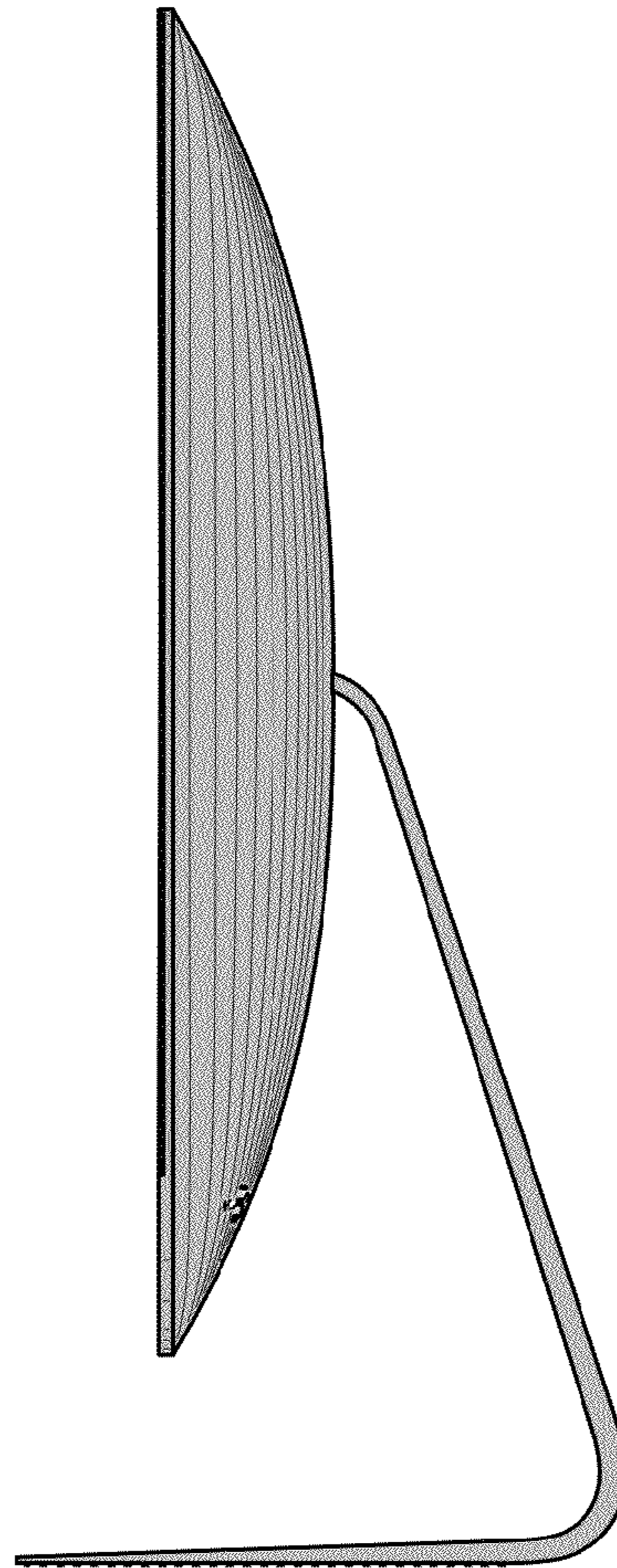


Fig. 96

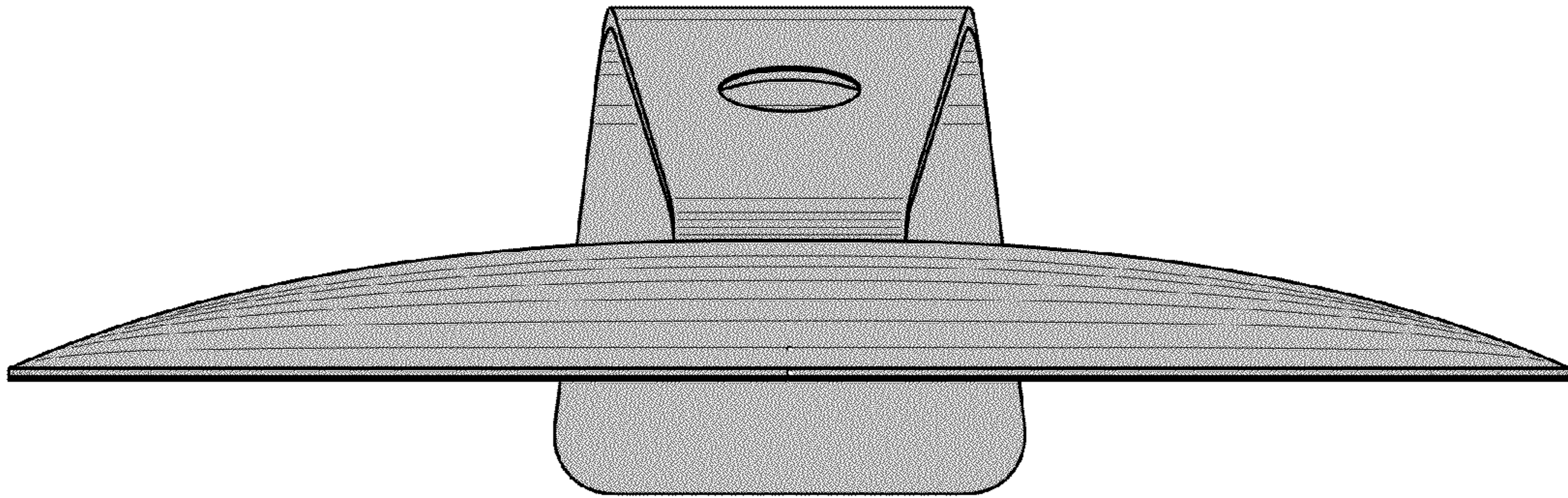


Fig. 97

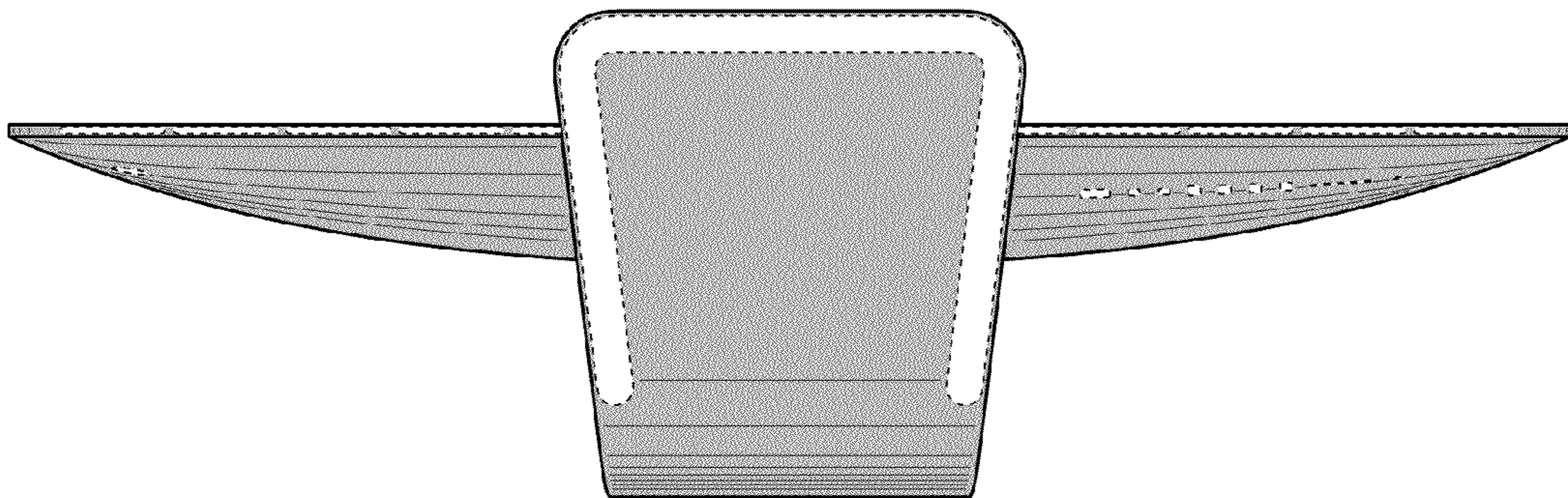


Fig. 98

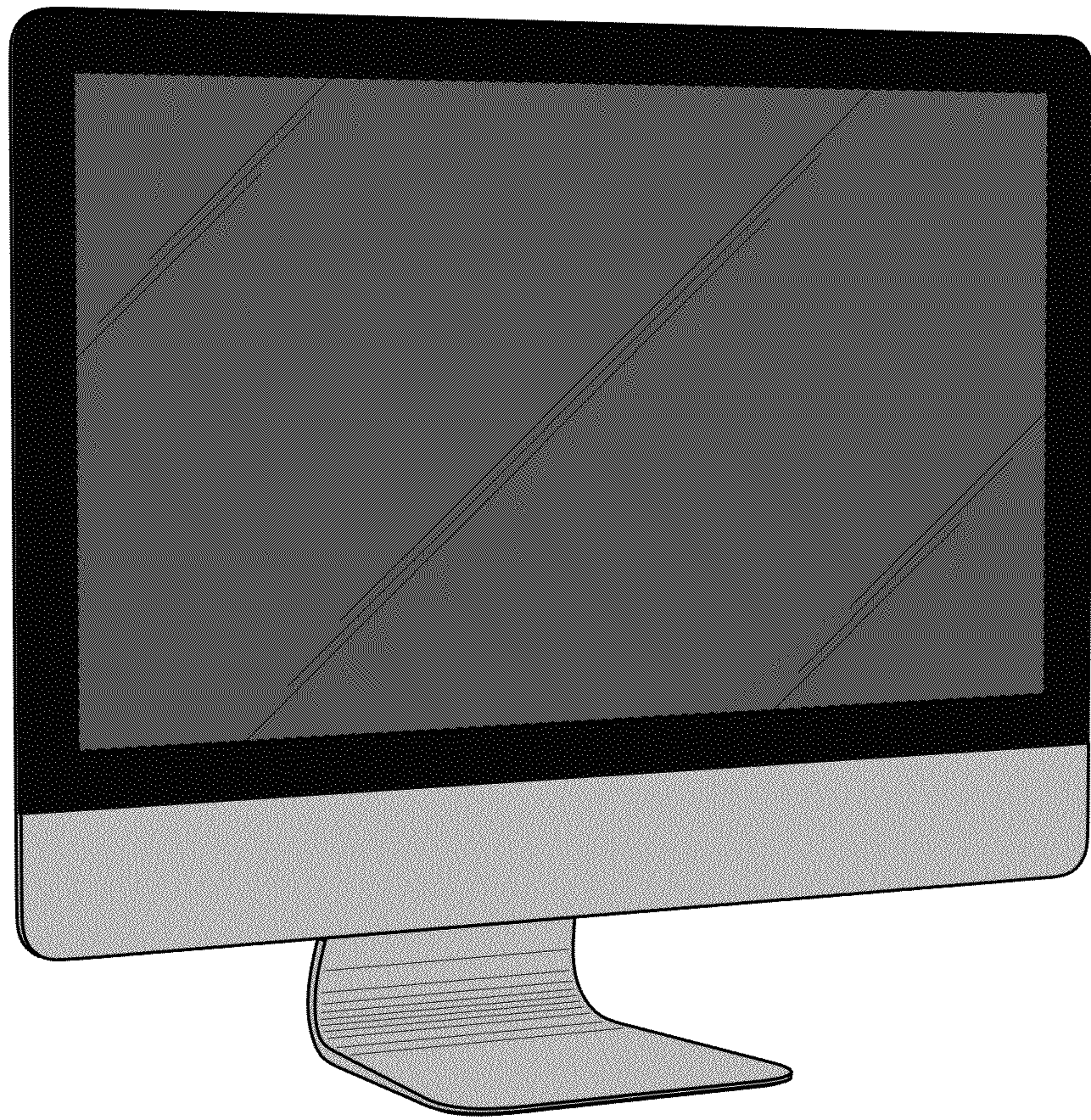


Fig. 99

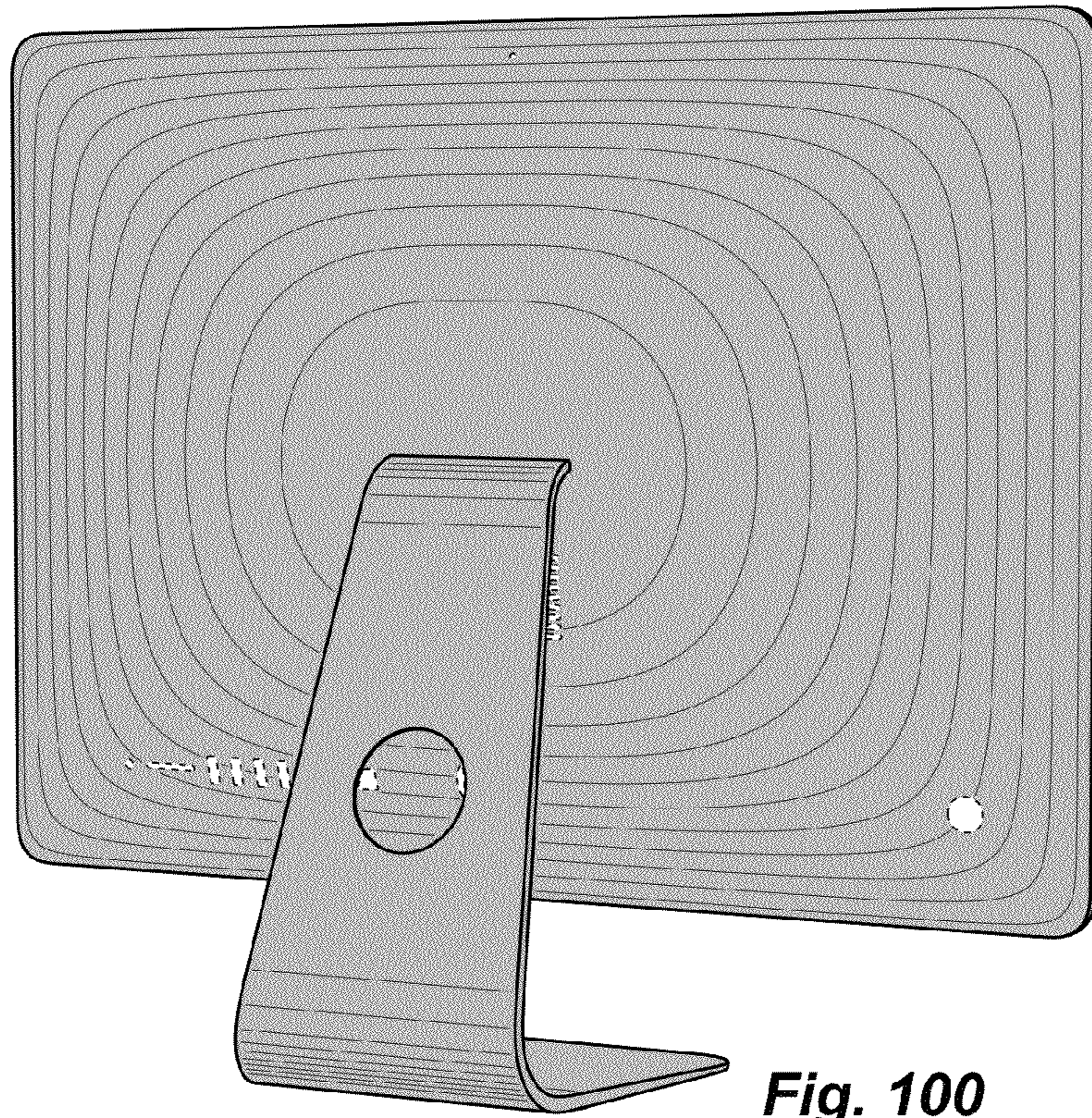


Fig. 100

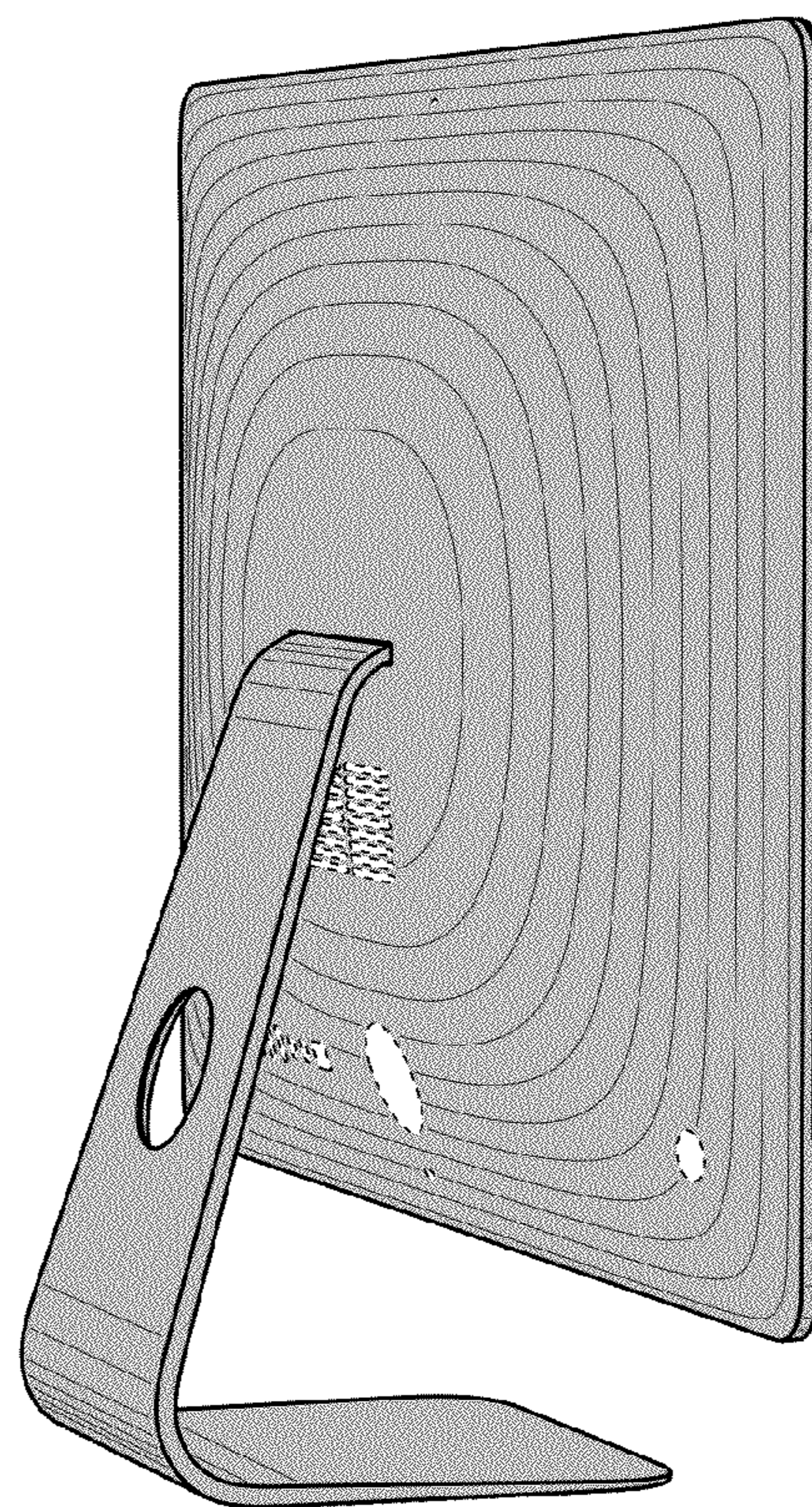


Fig. 101

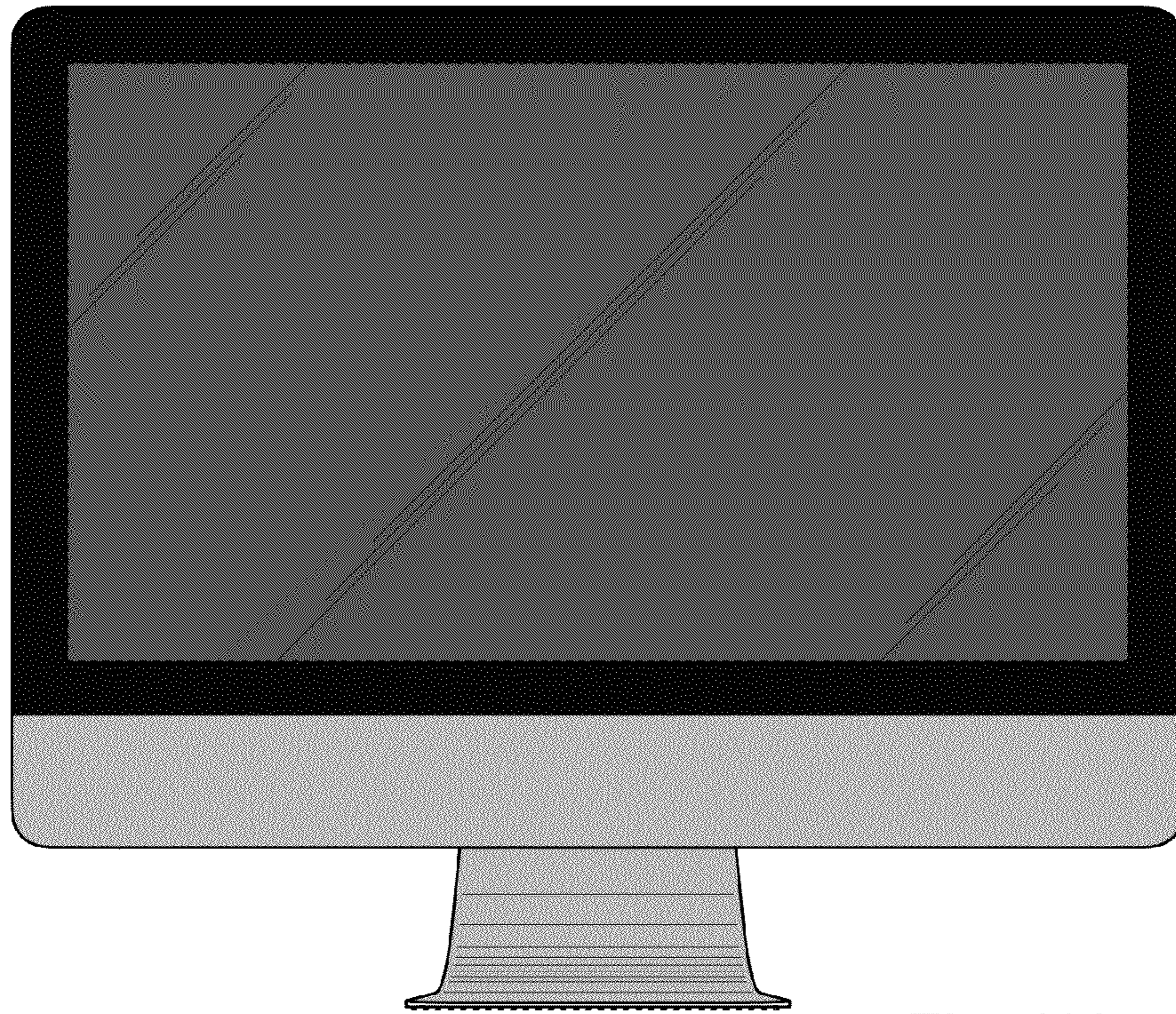


Fig. 102

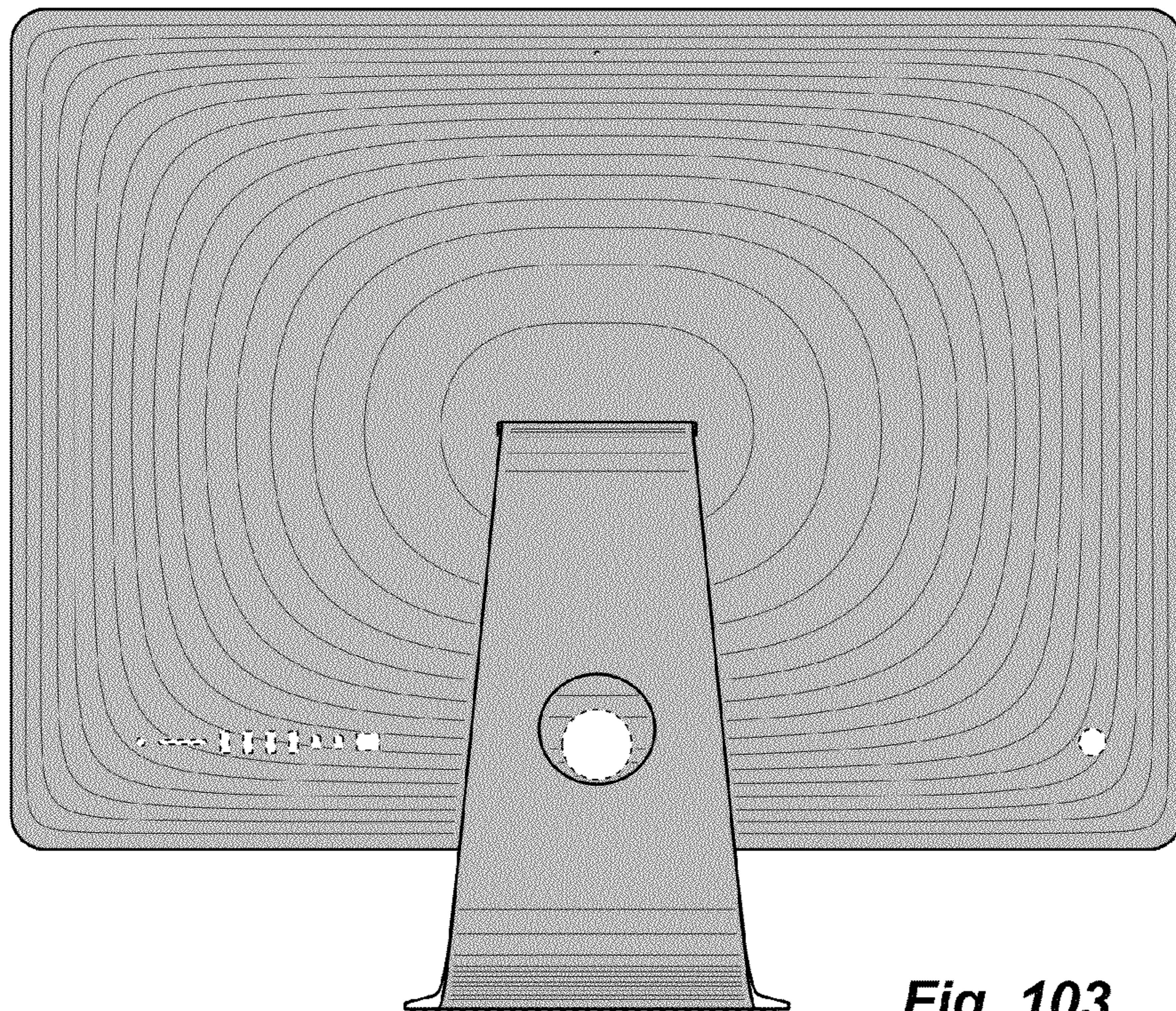


Fig. 103

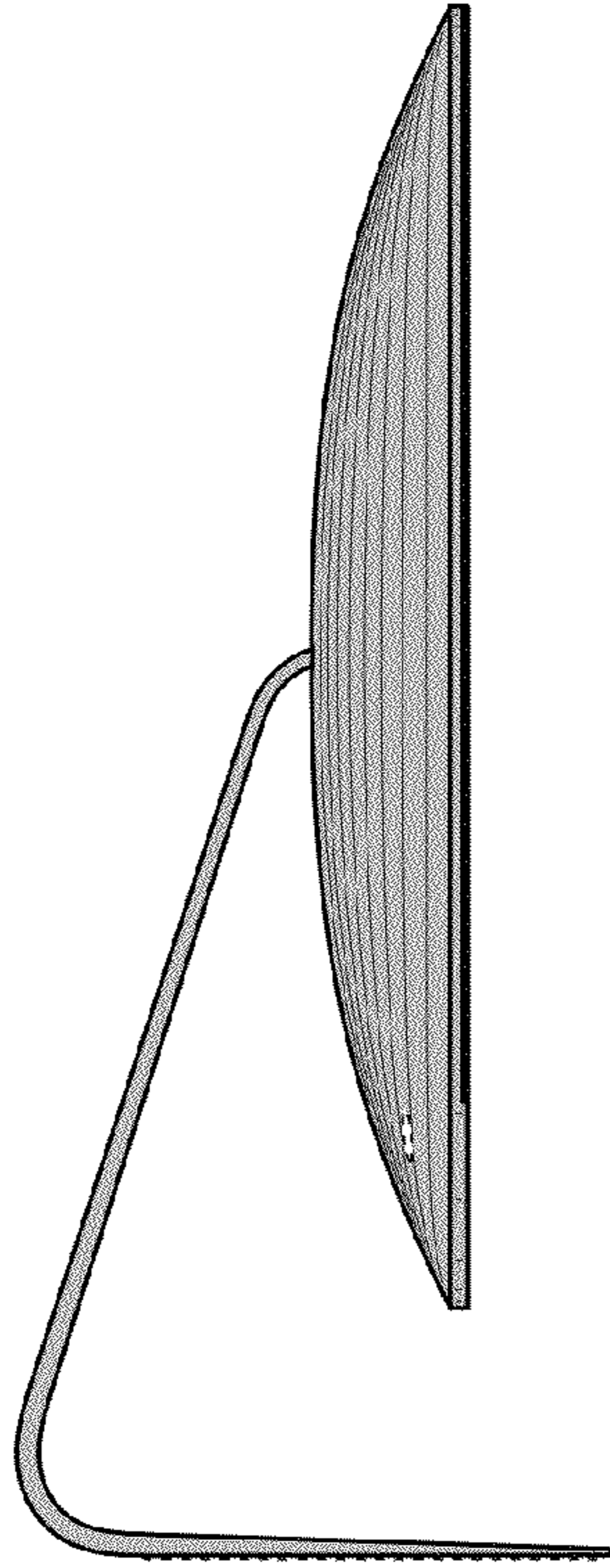


Fig. 104

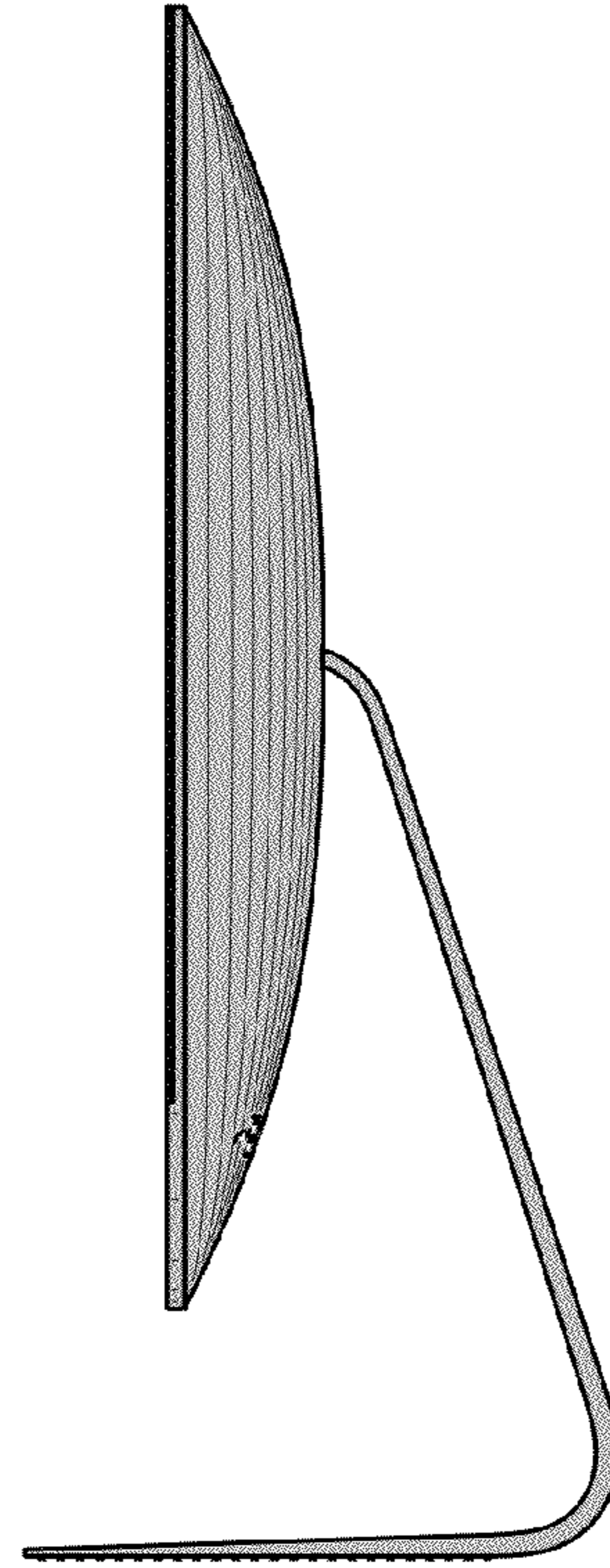


Fig. 105

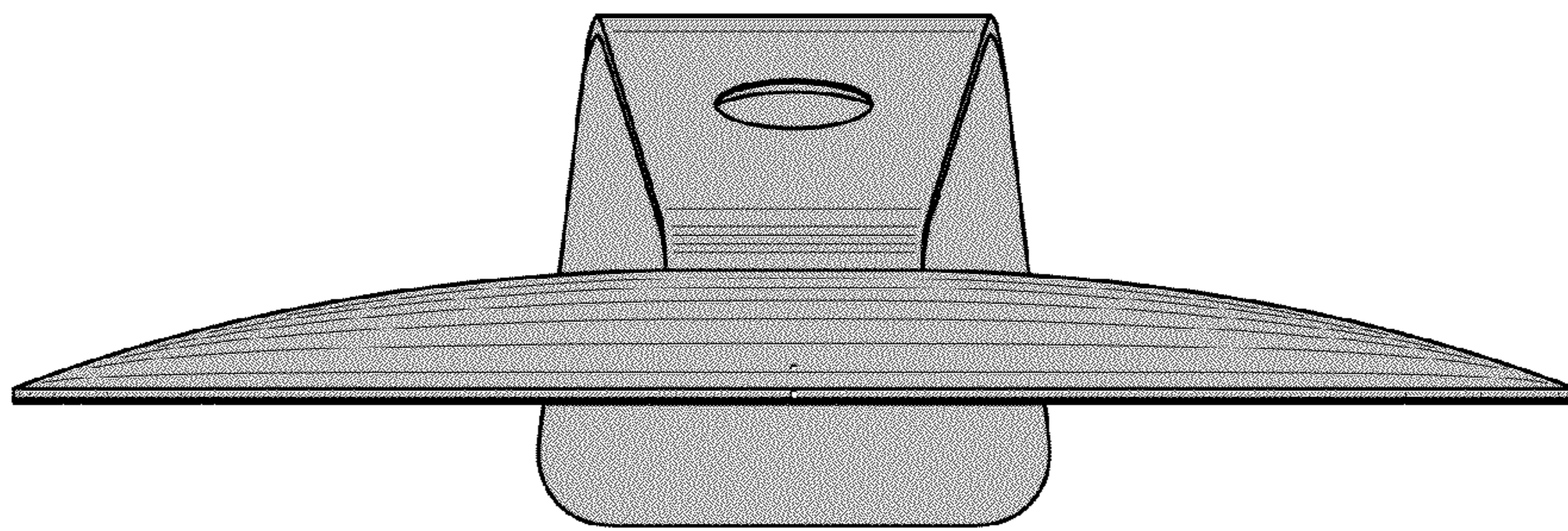


Fig. 106

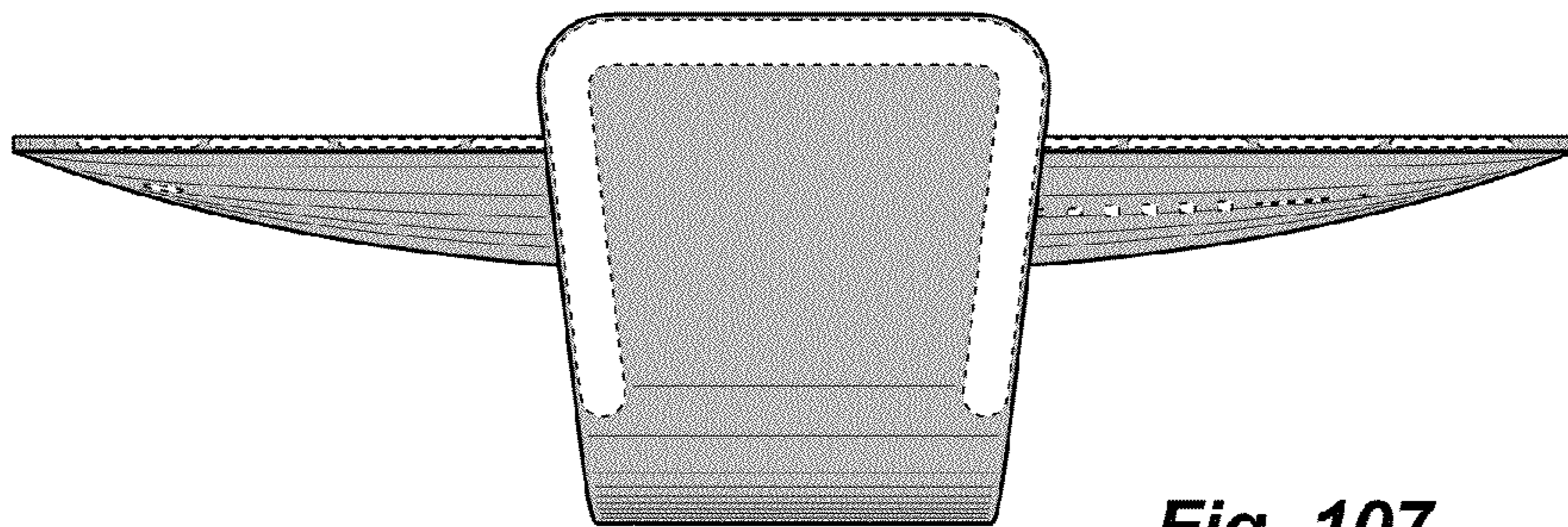


Fig. 107

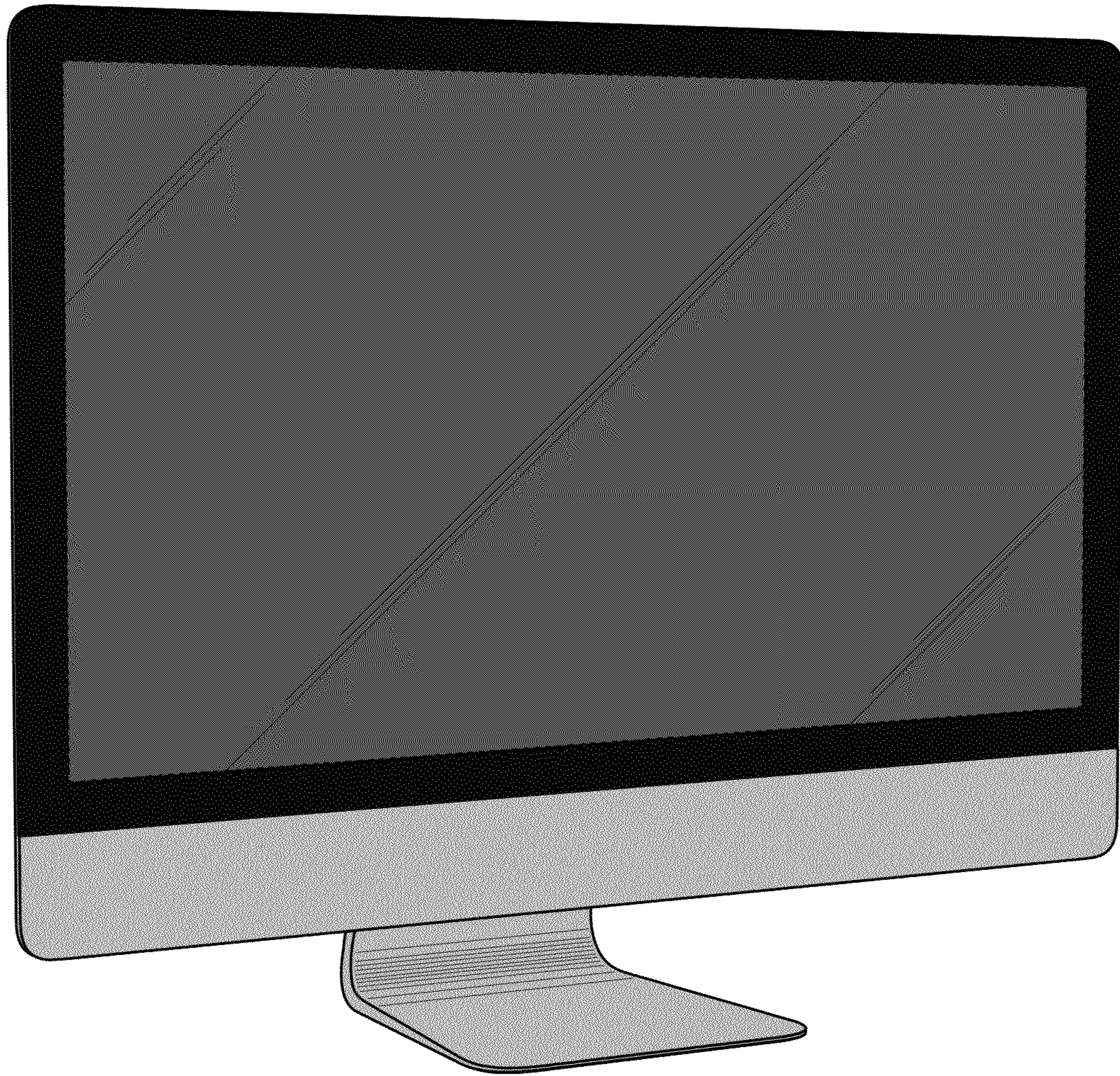


Fig. 108

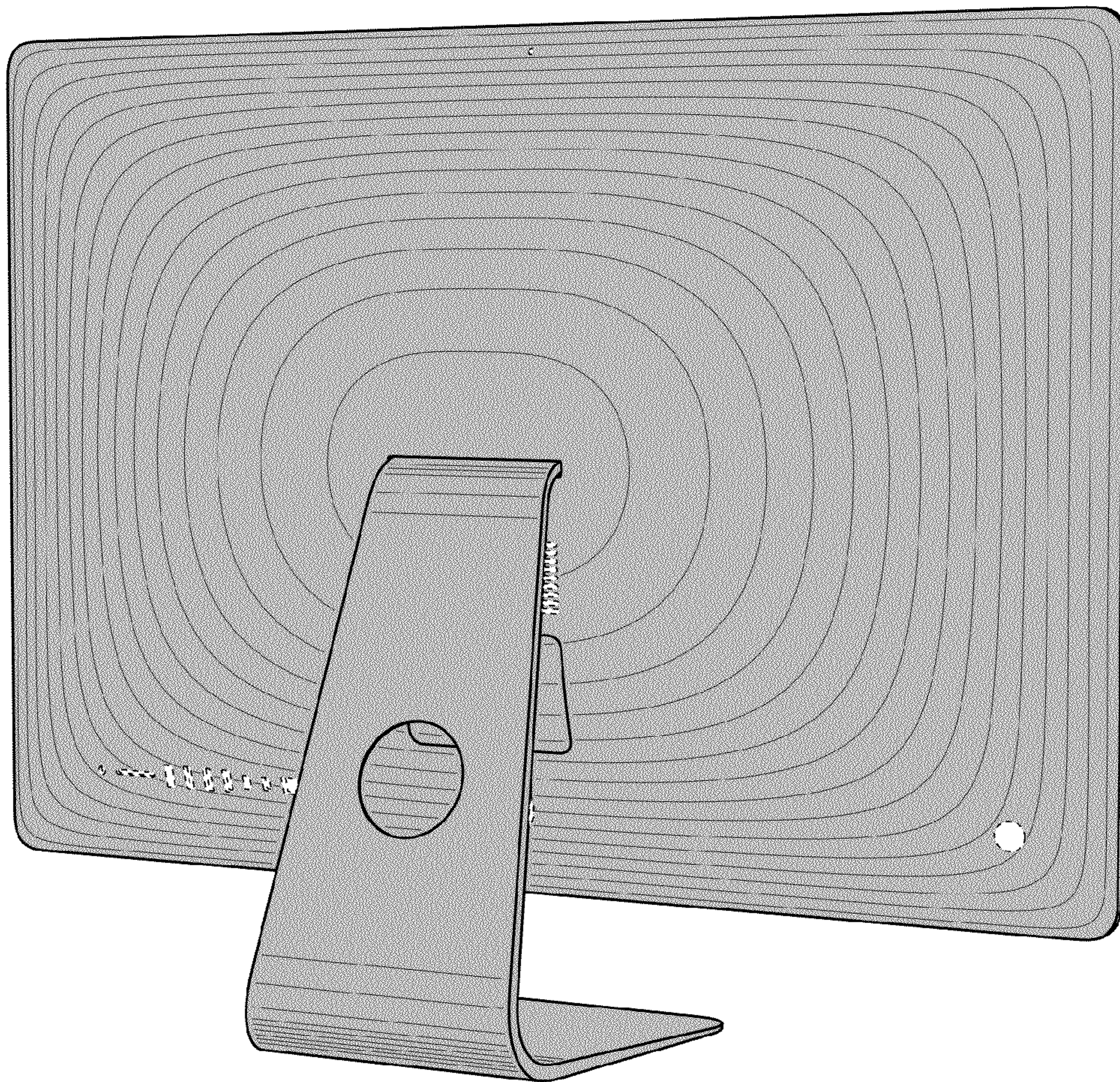


Fig. 109

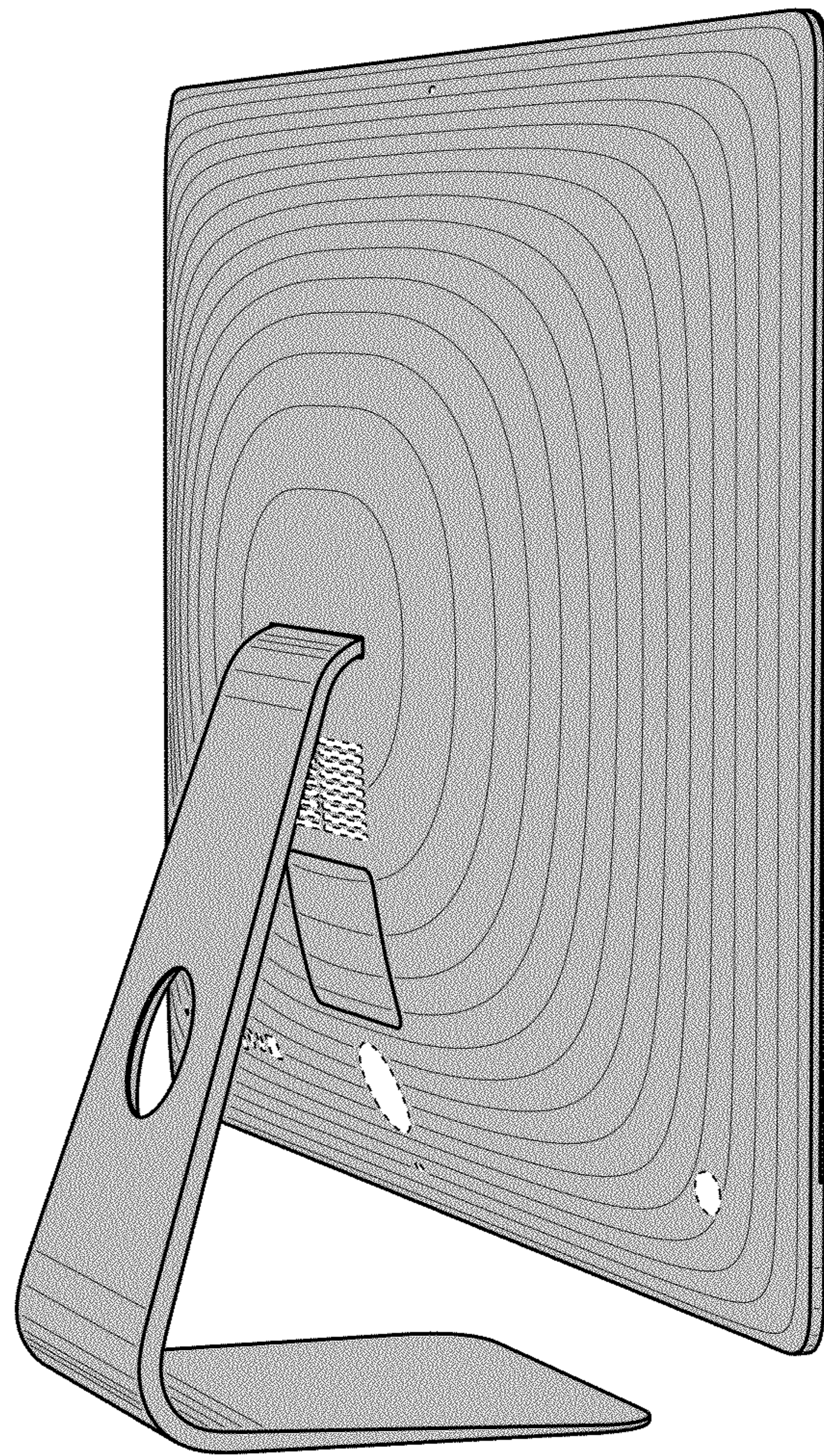


Fig. 110

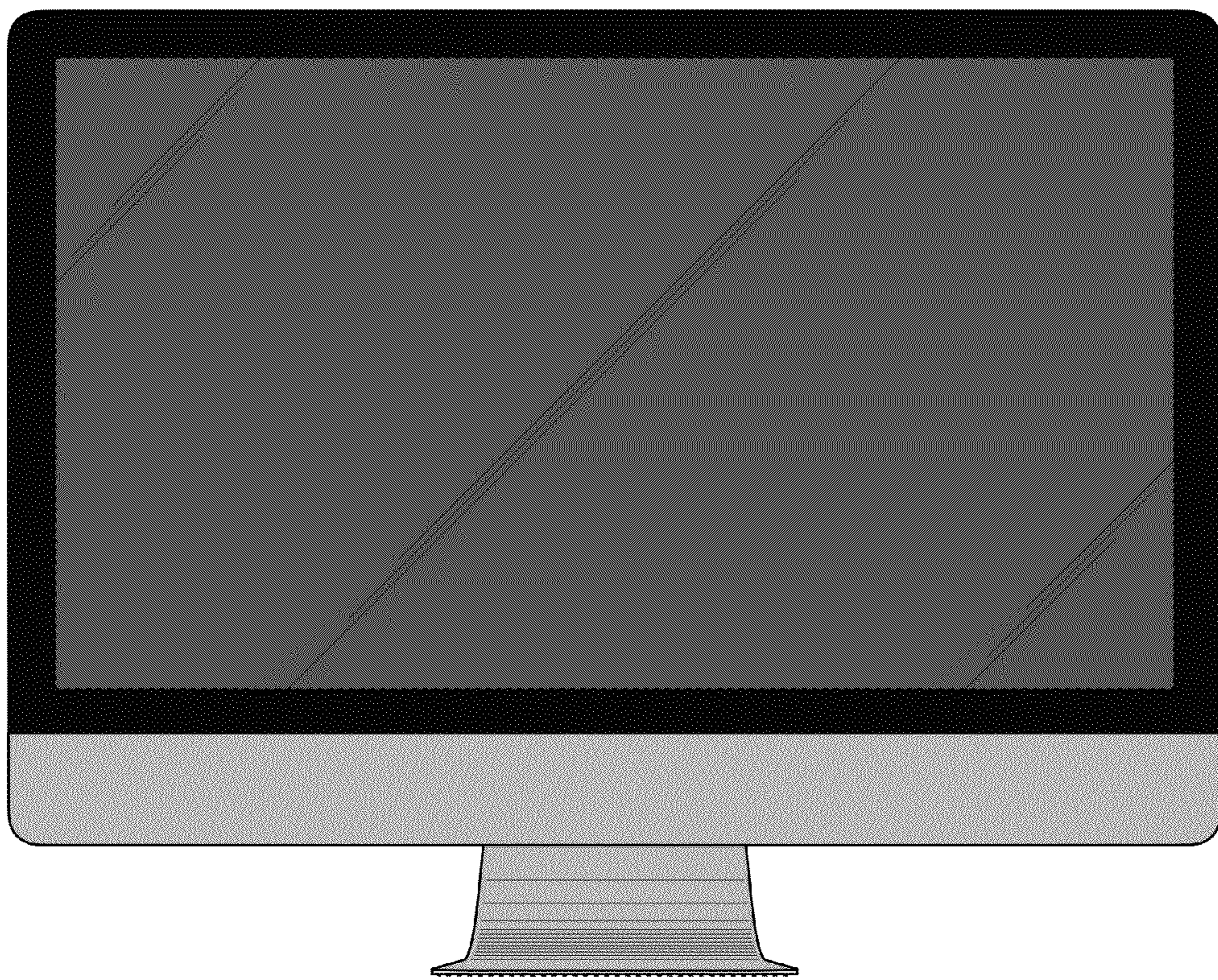


Fig. 111

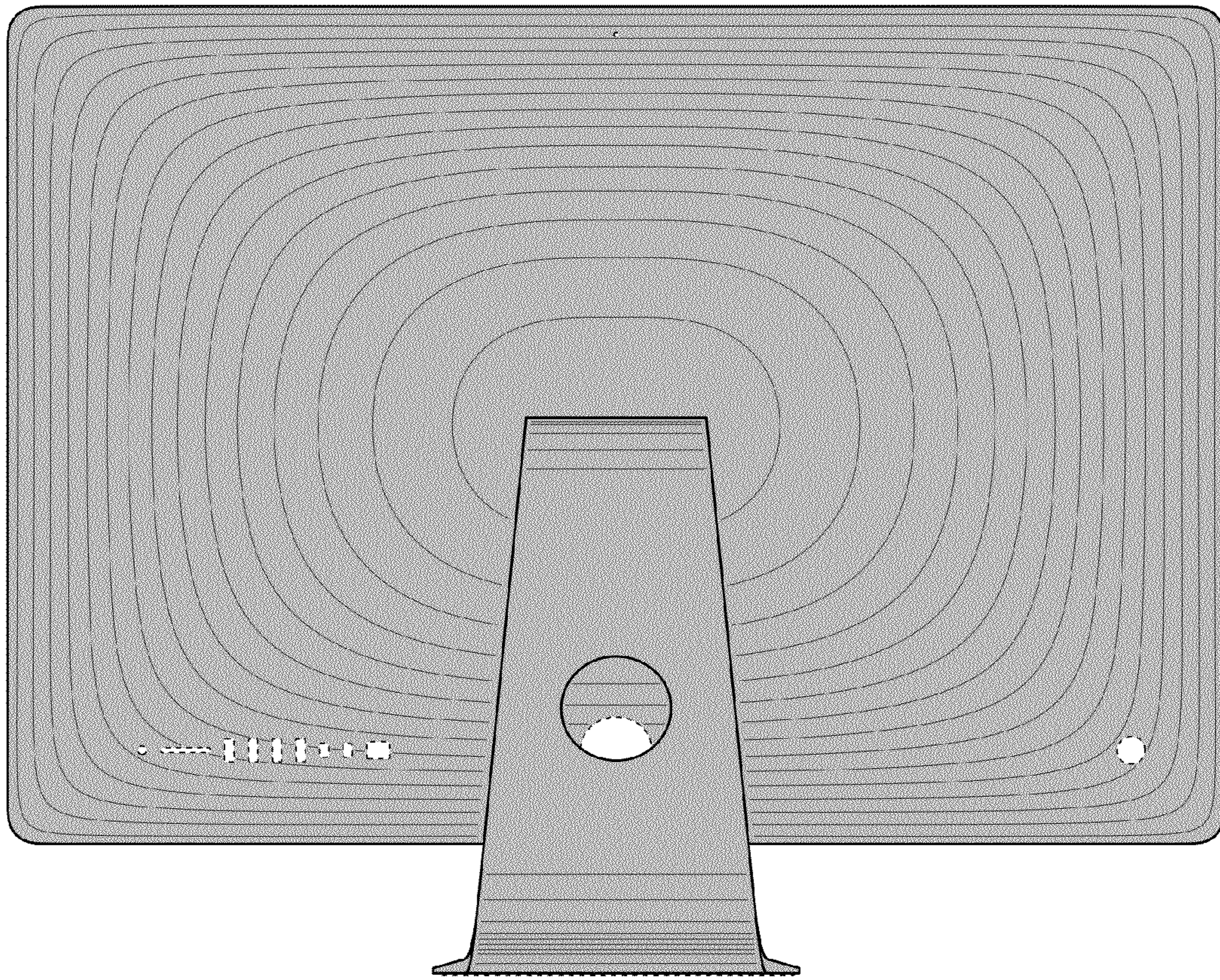


Fig. 112

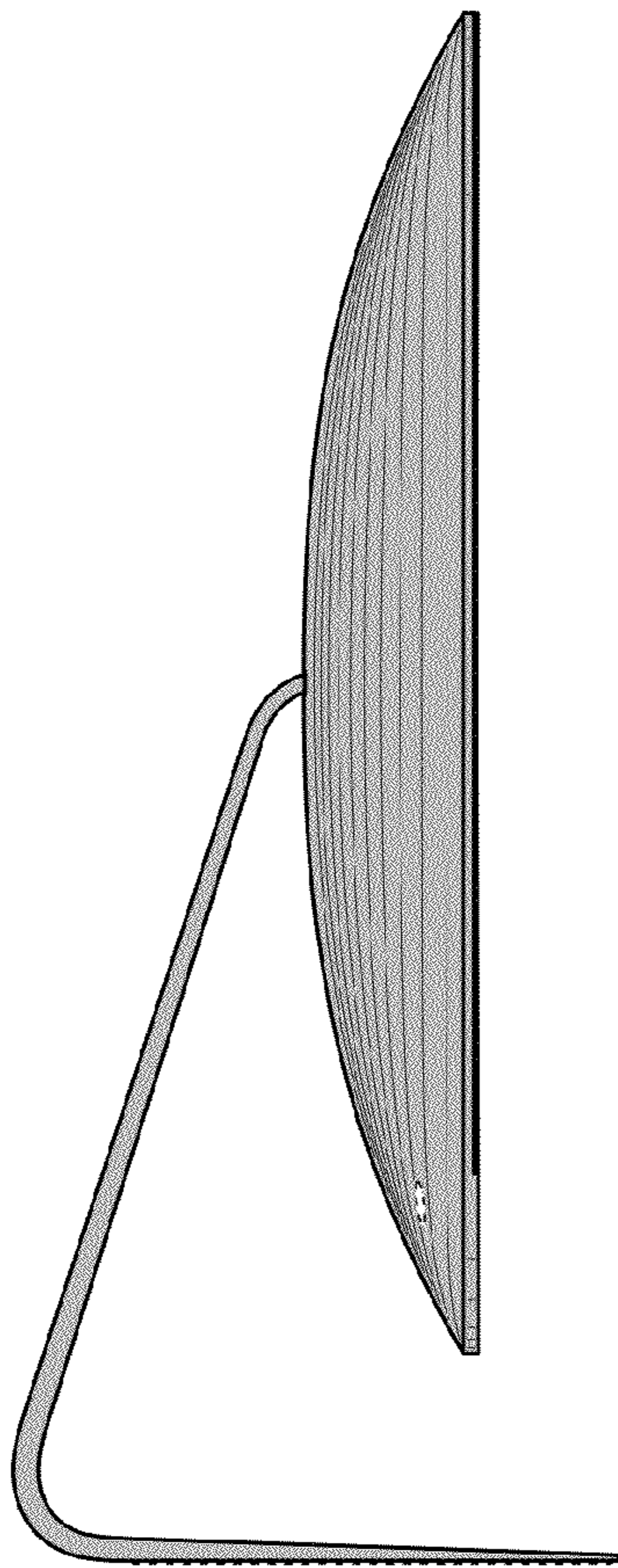


Fig. 113

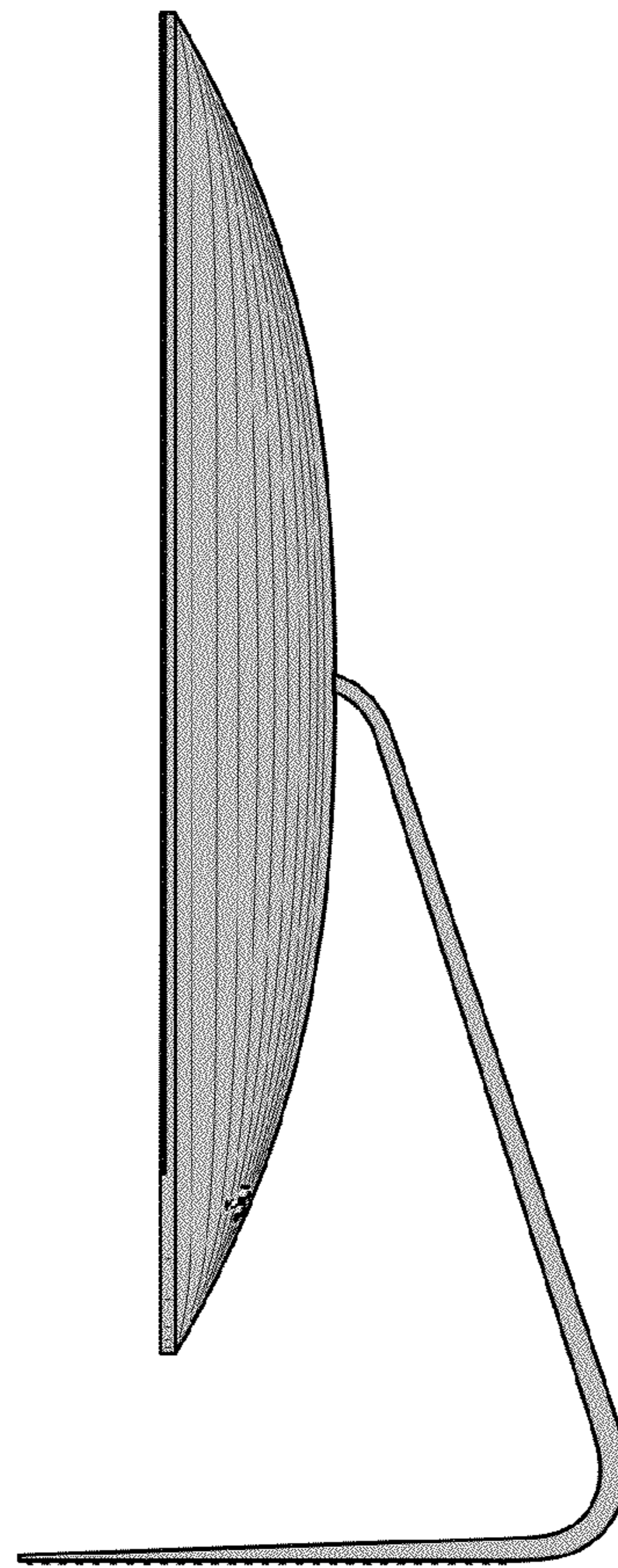


Fig. 114

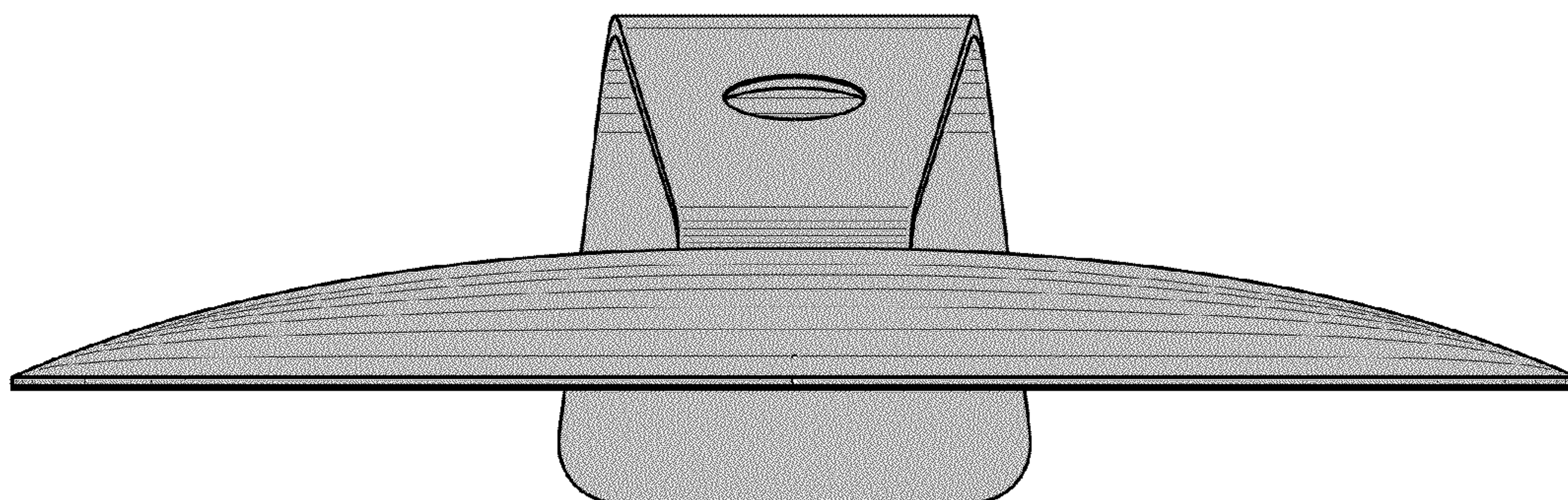


Fig. 115

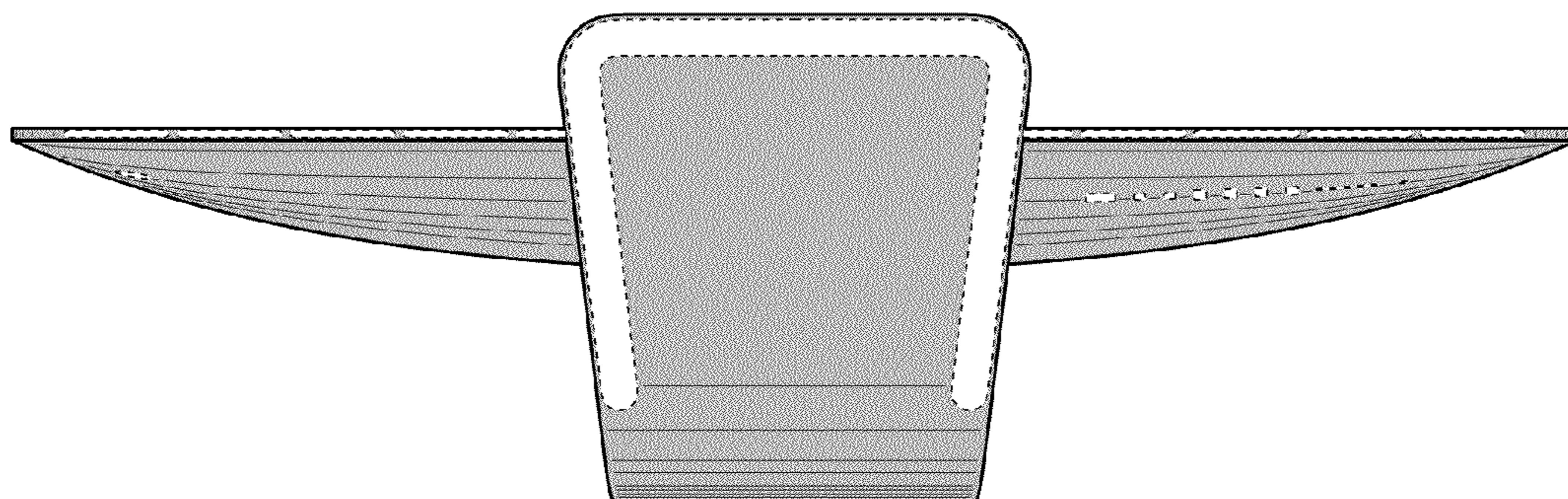


Fig. 116

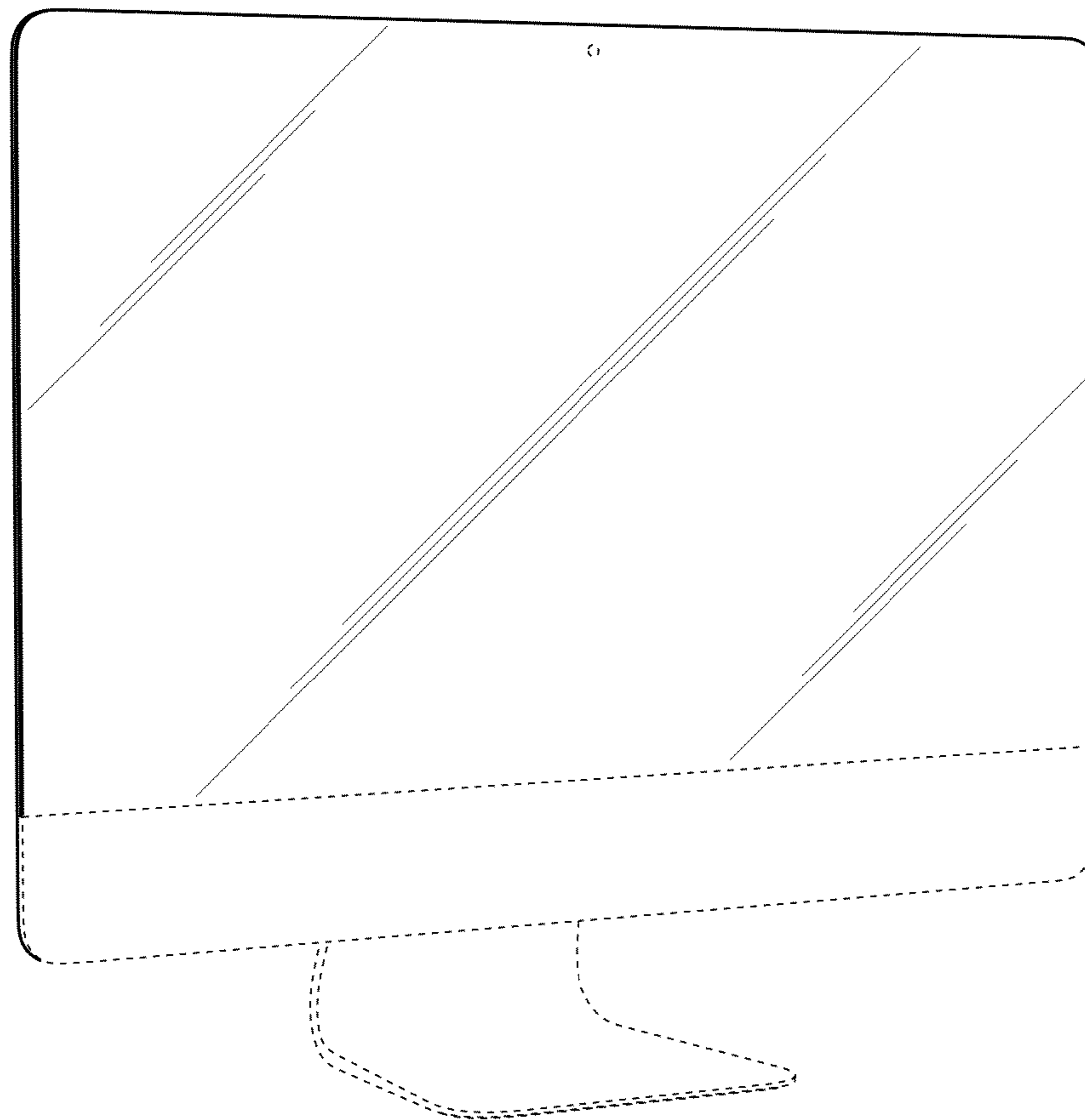


Fig. 117

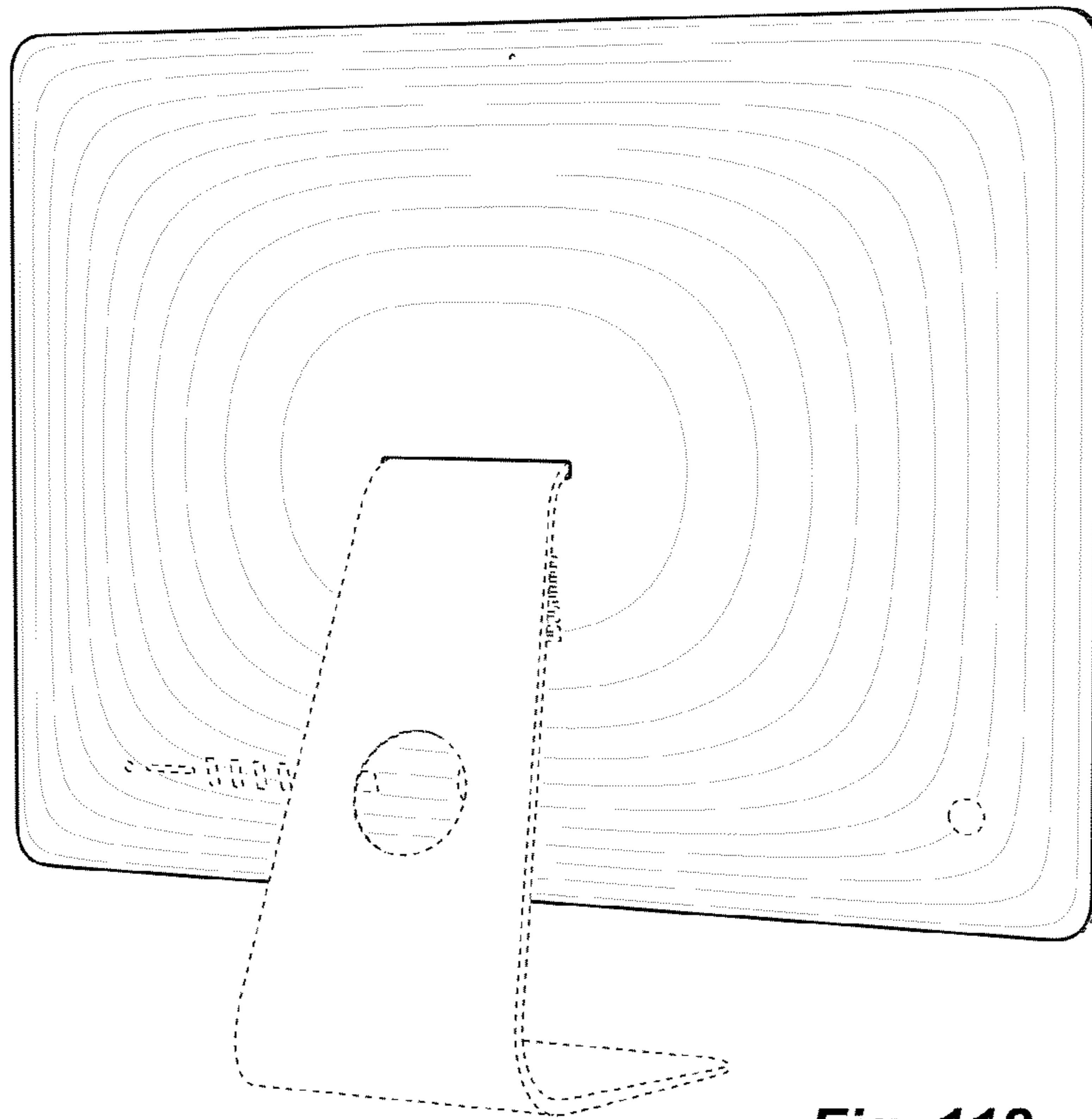


Fig. 118

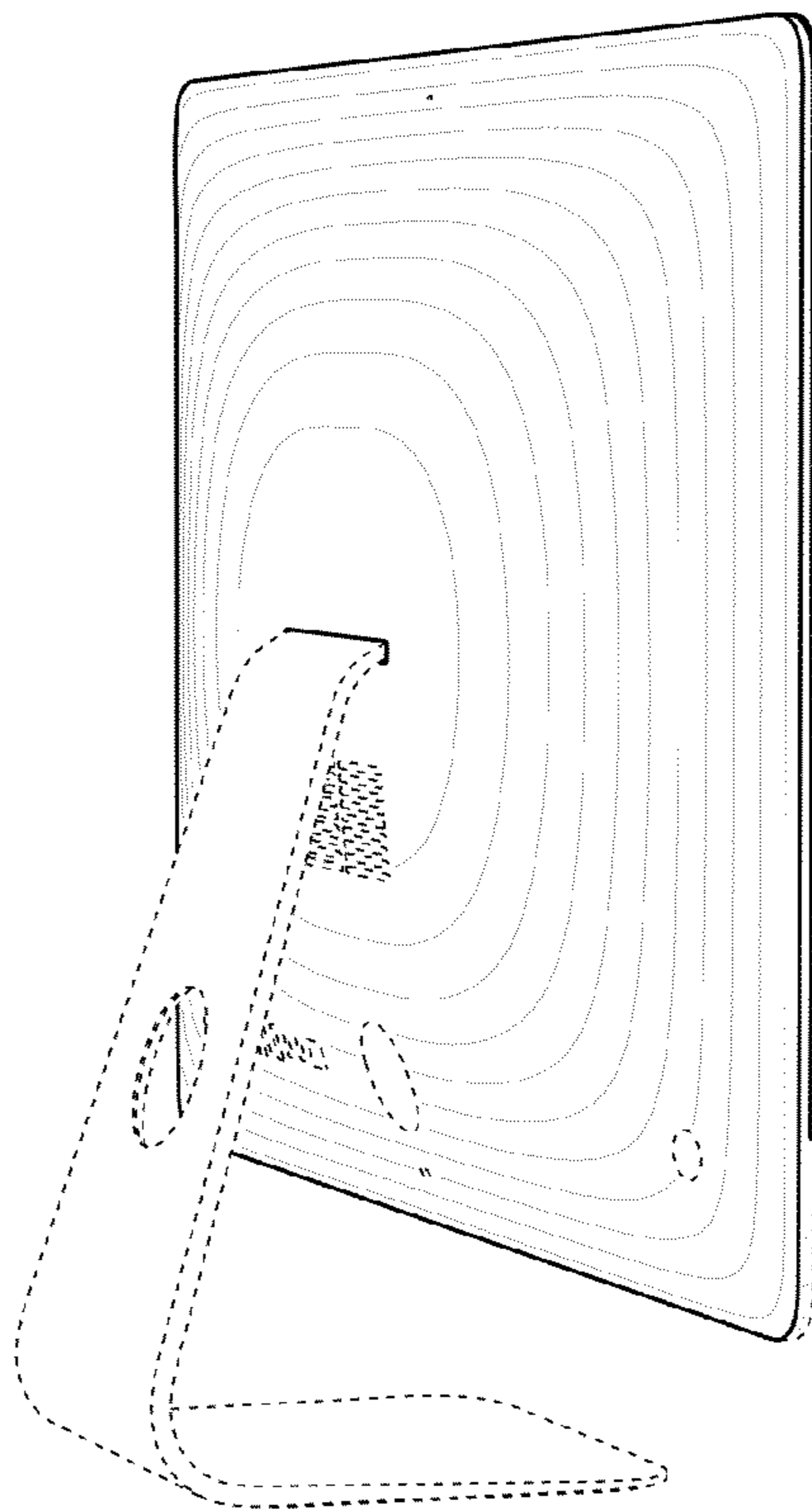


Fig. 119

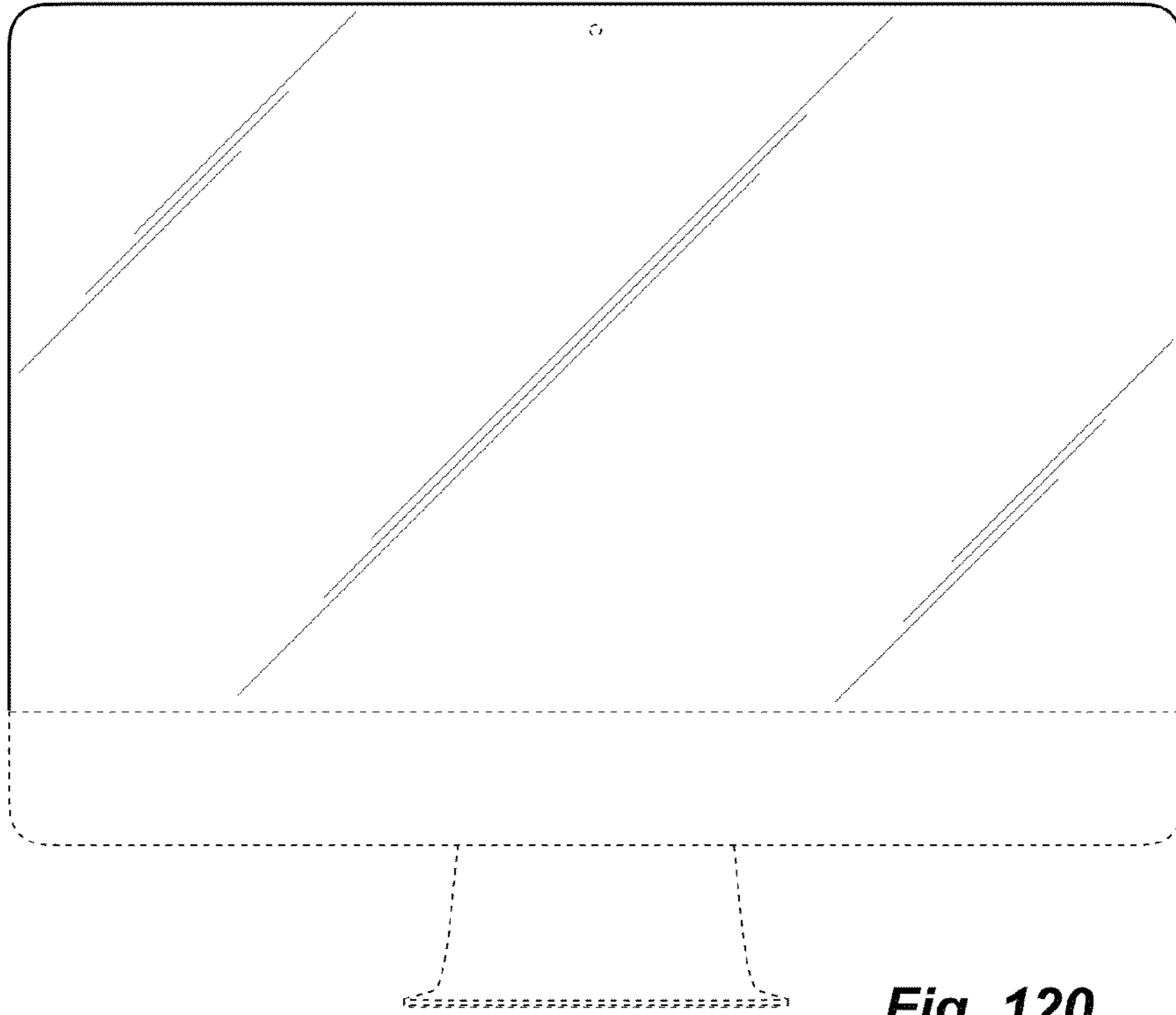


Fig. 120

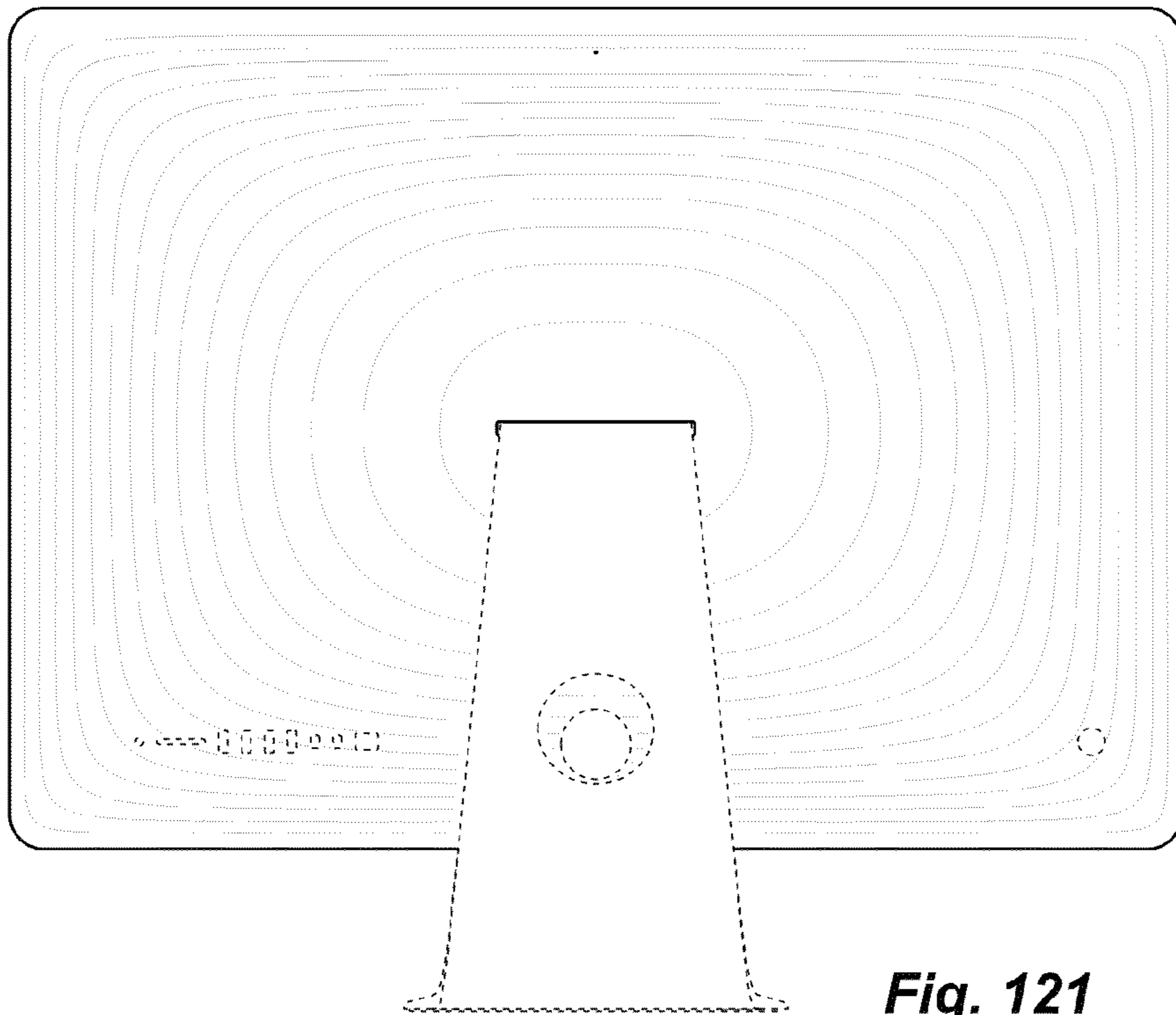


Fig. 121

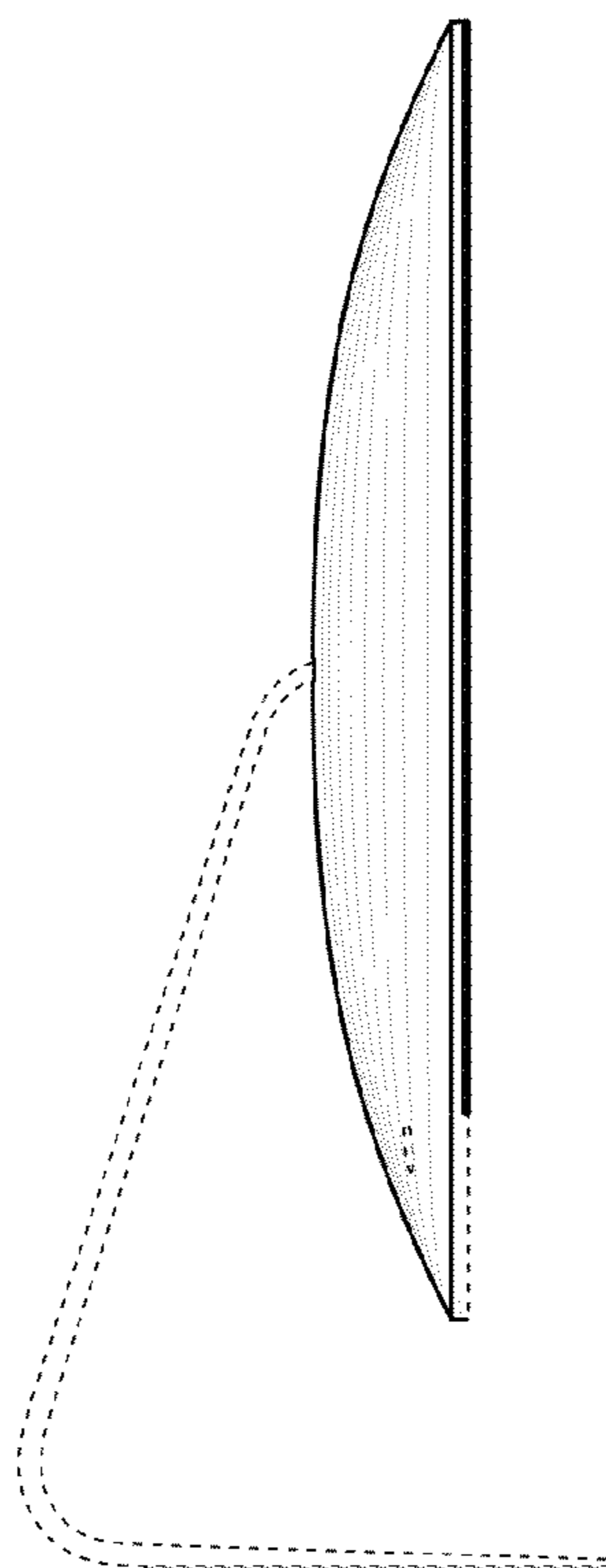


Fig. 122

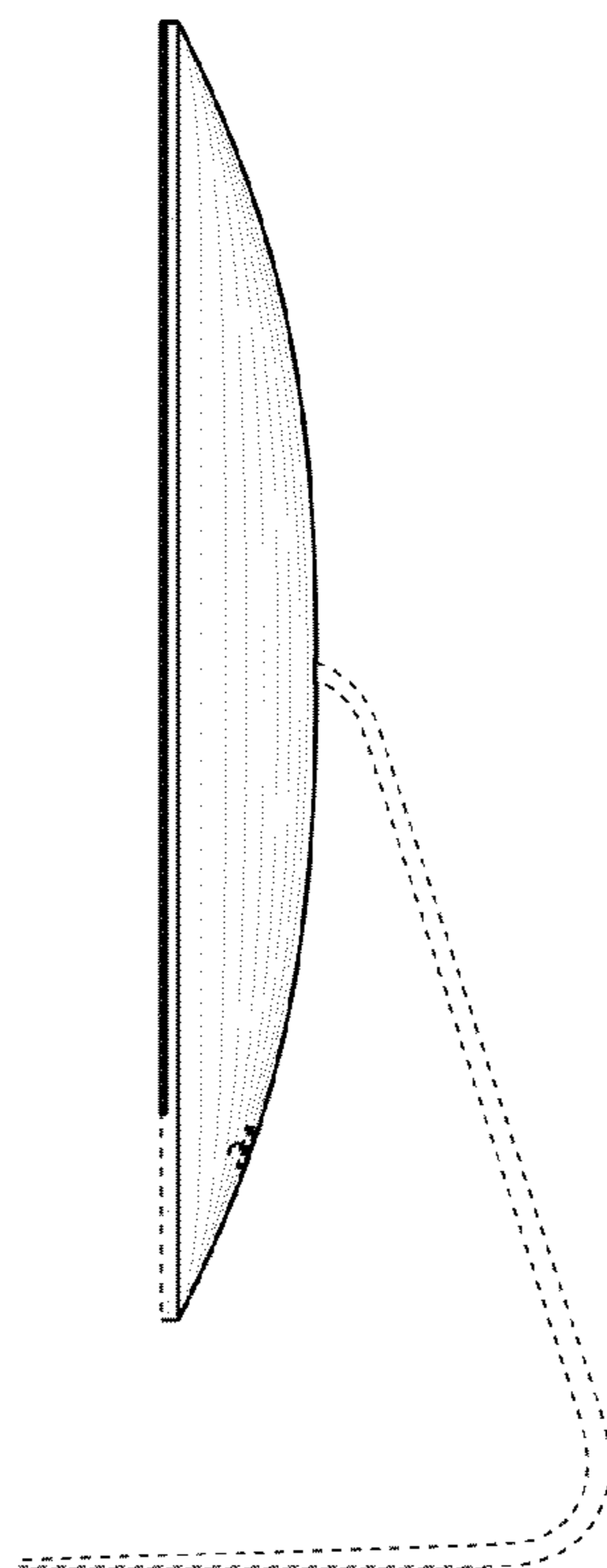


Fig. 123

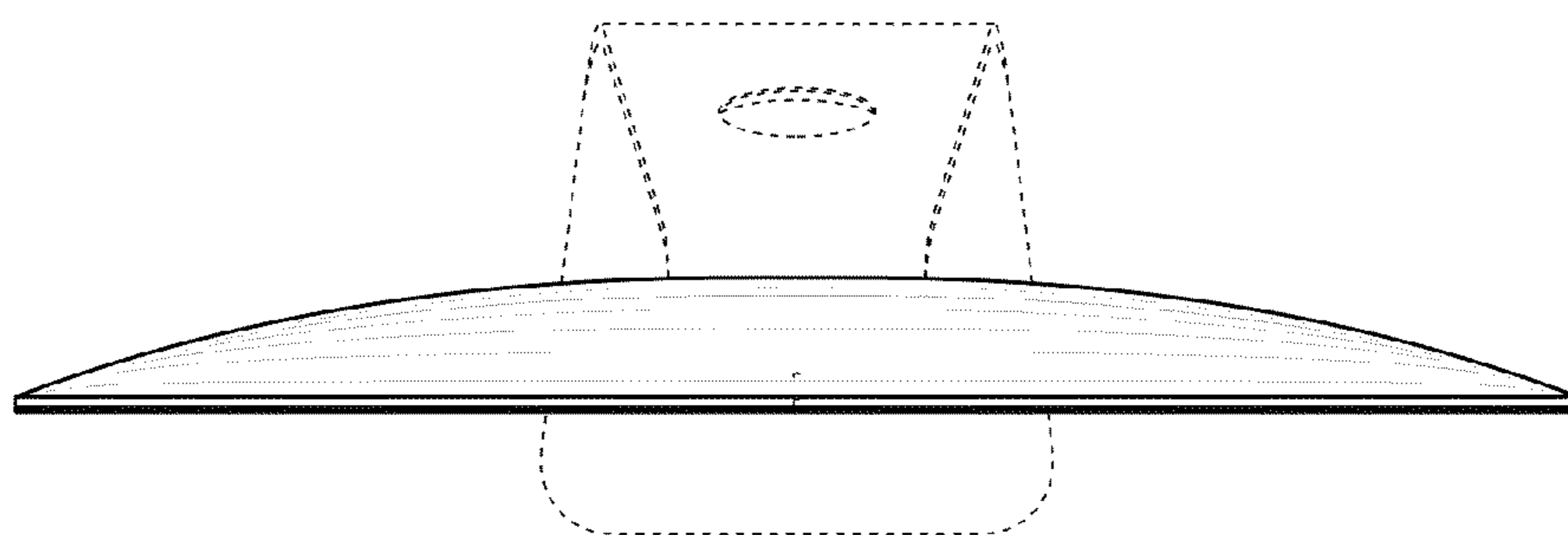


Fig. 124

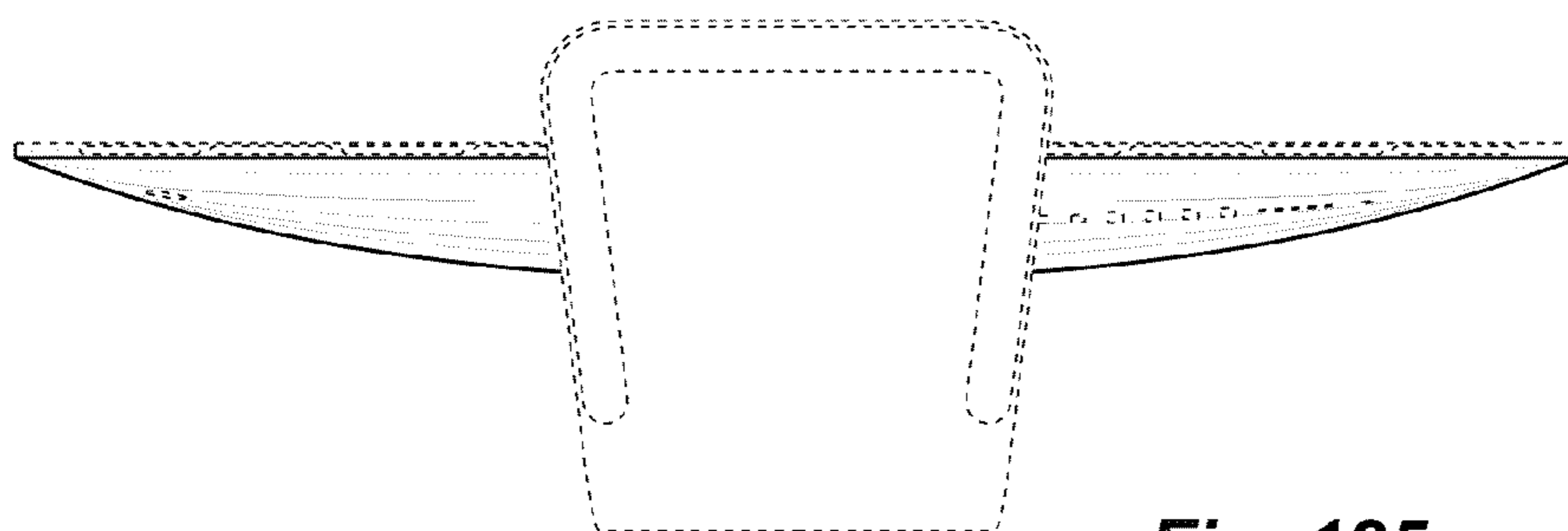


Fig. 125

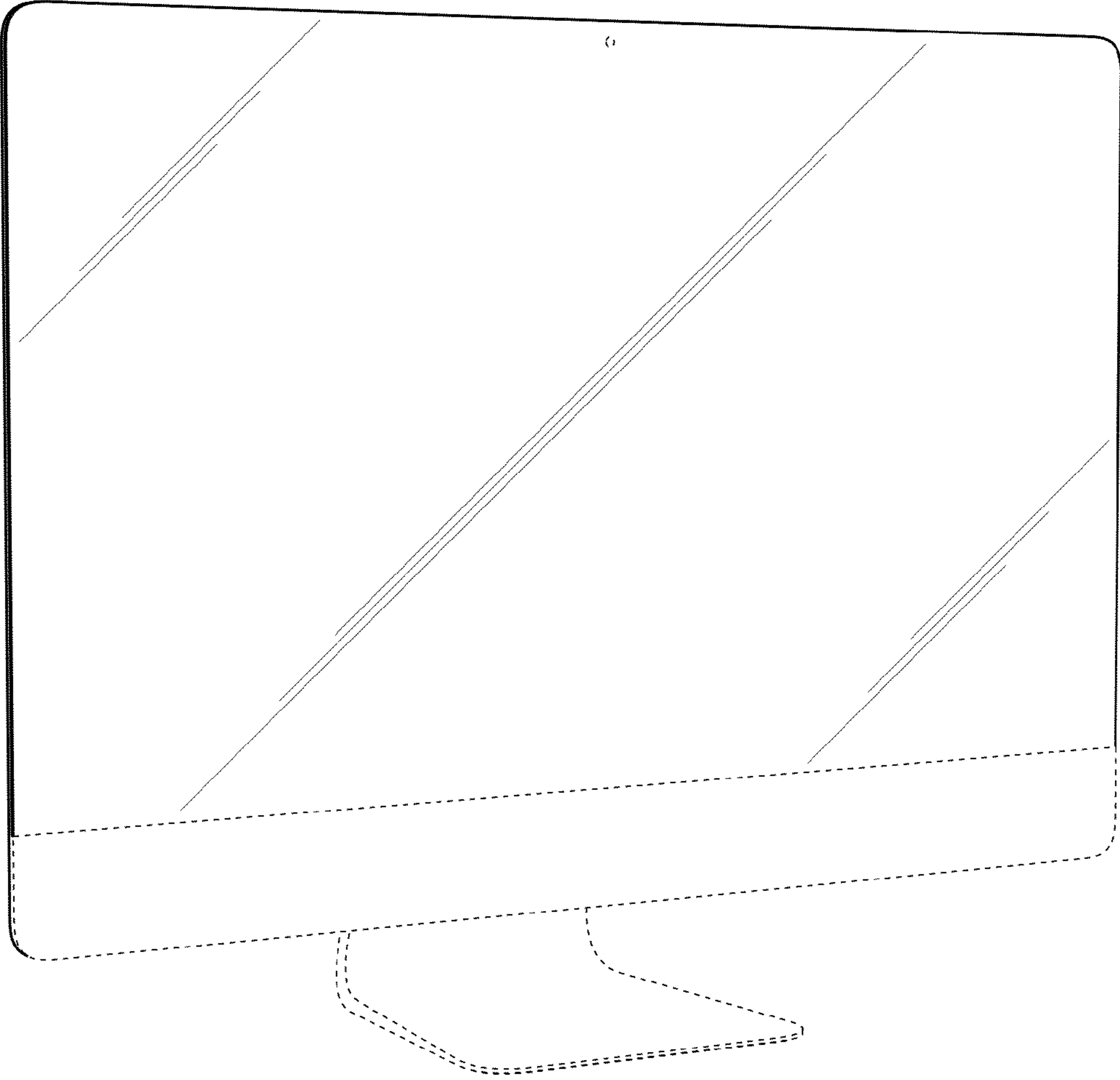


Fig. 126

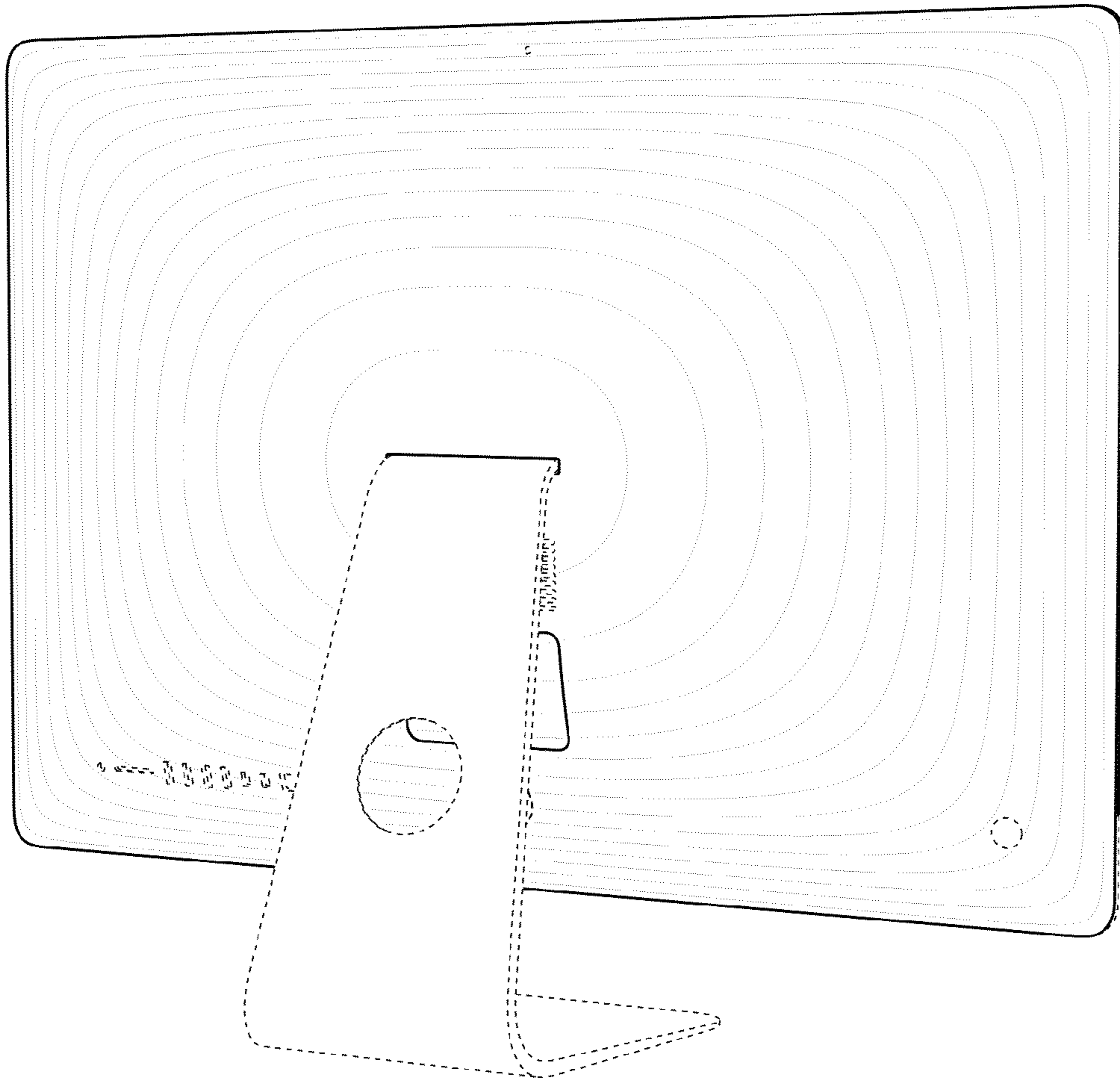


Fig. 127

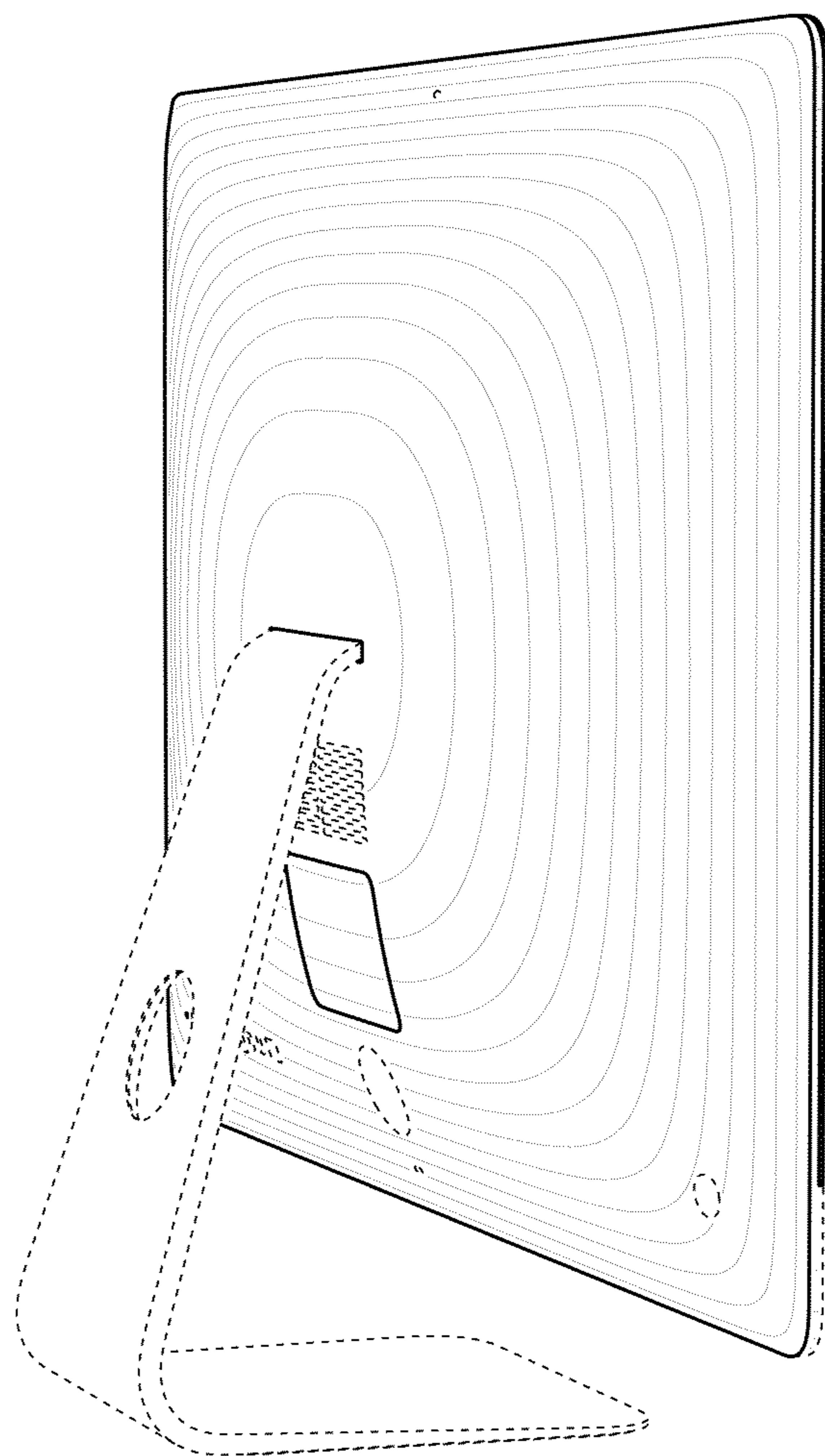


Fig. 128

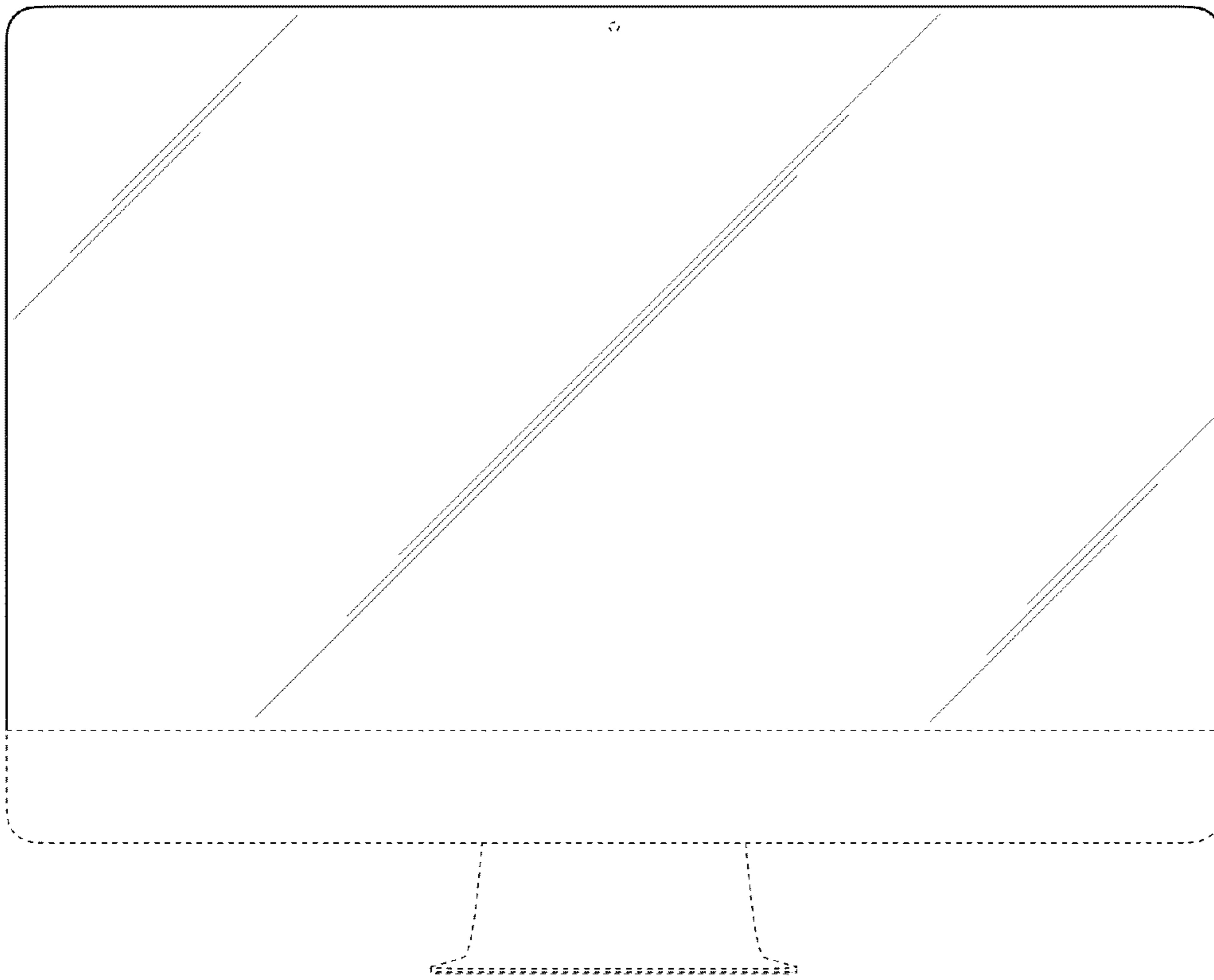


Fig. 129

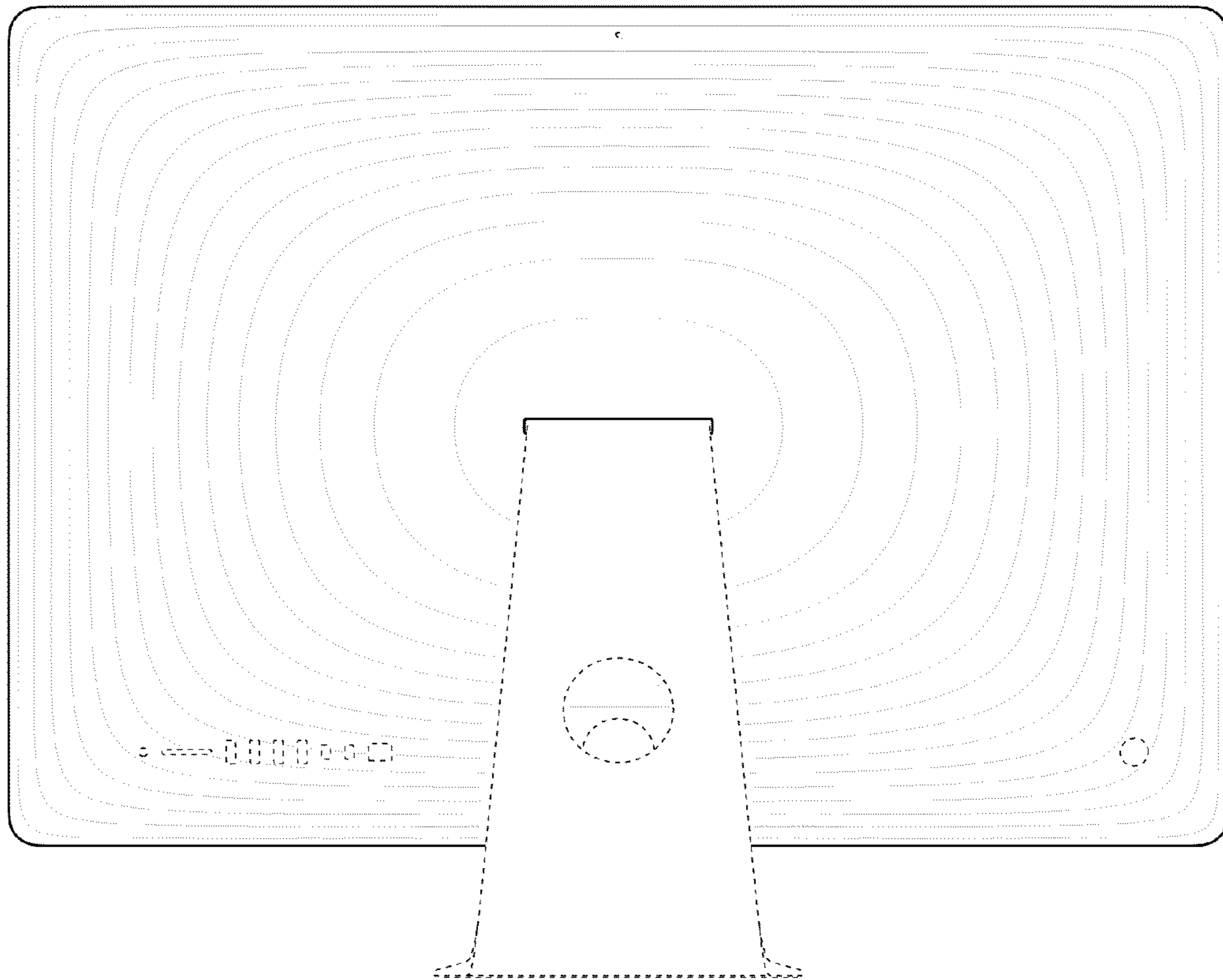


Fig. 130

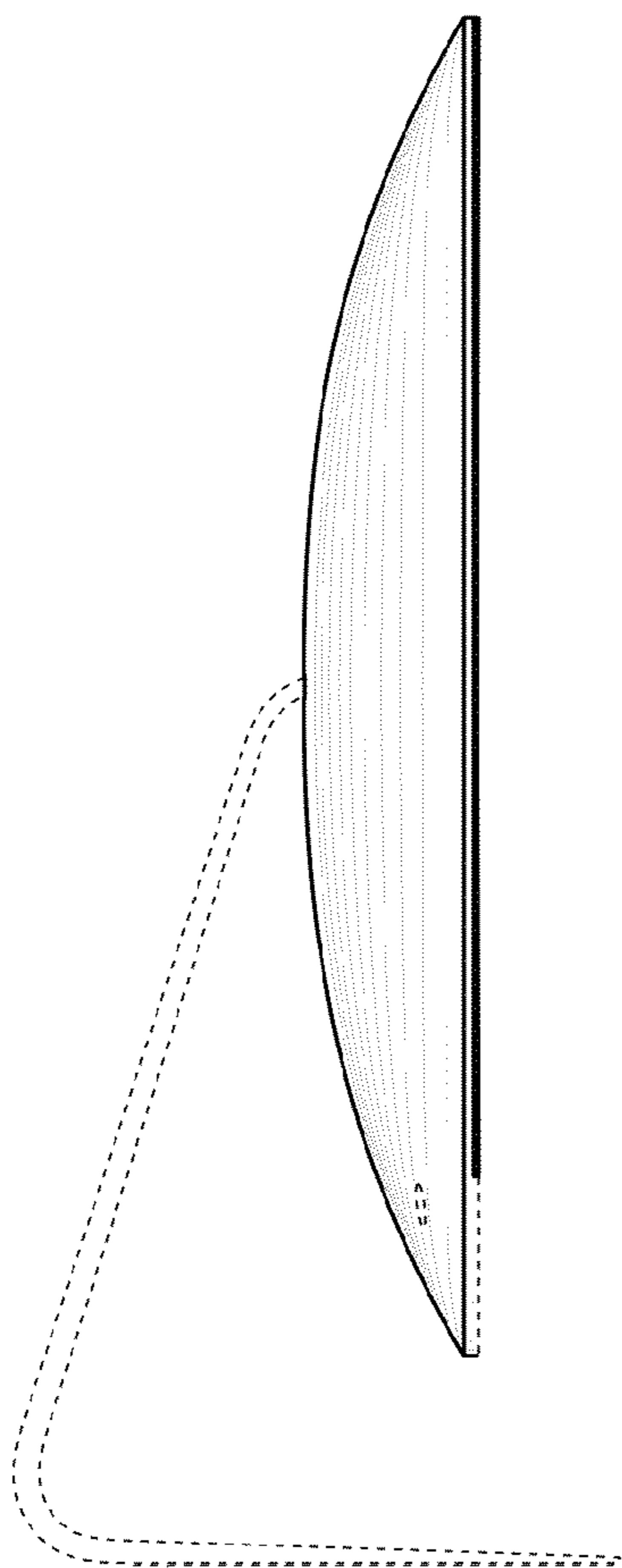


Fig. 131

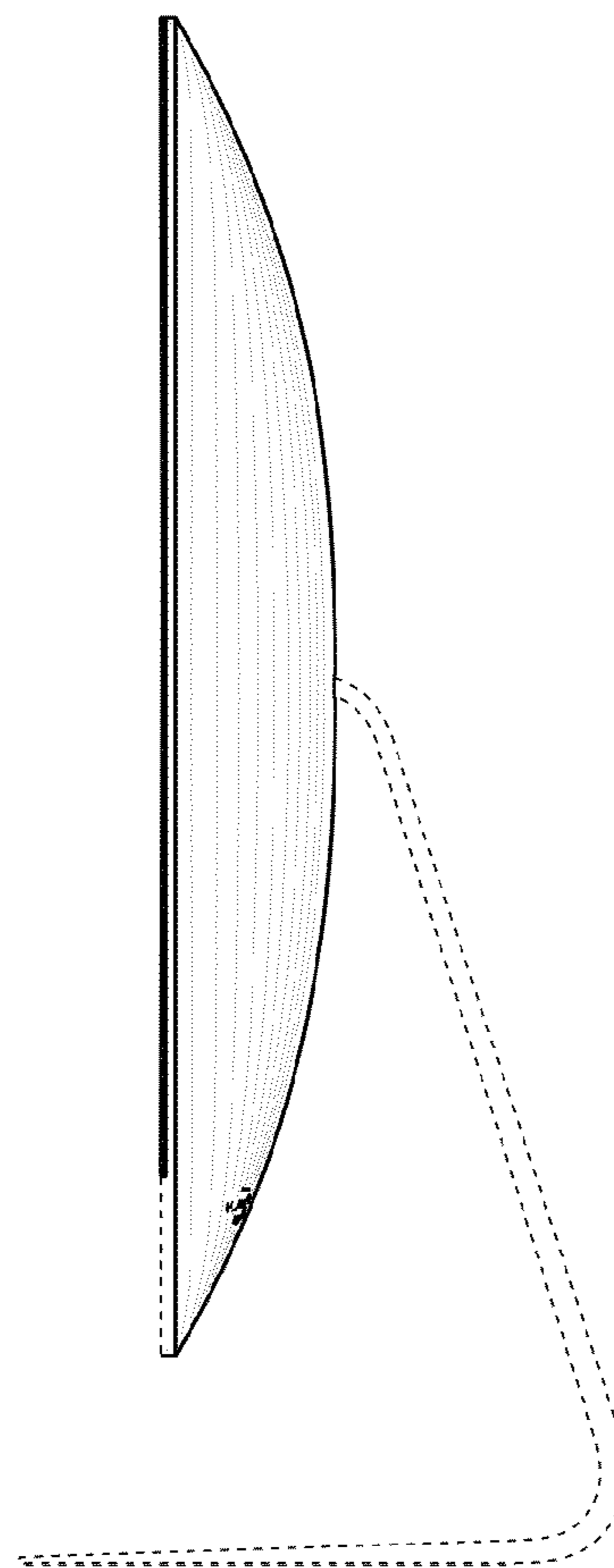


Fig. 132

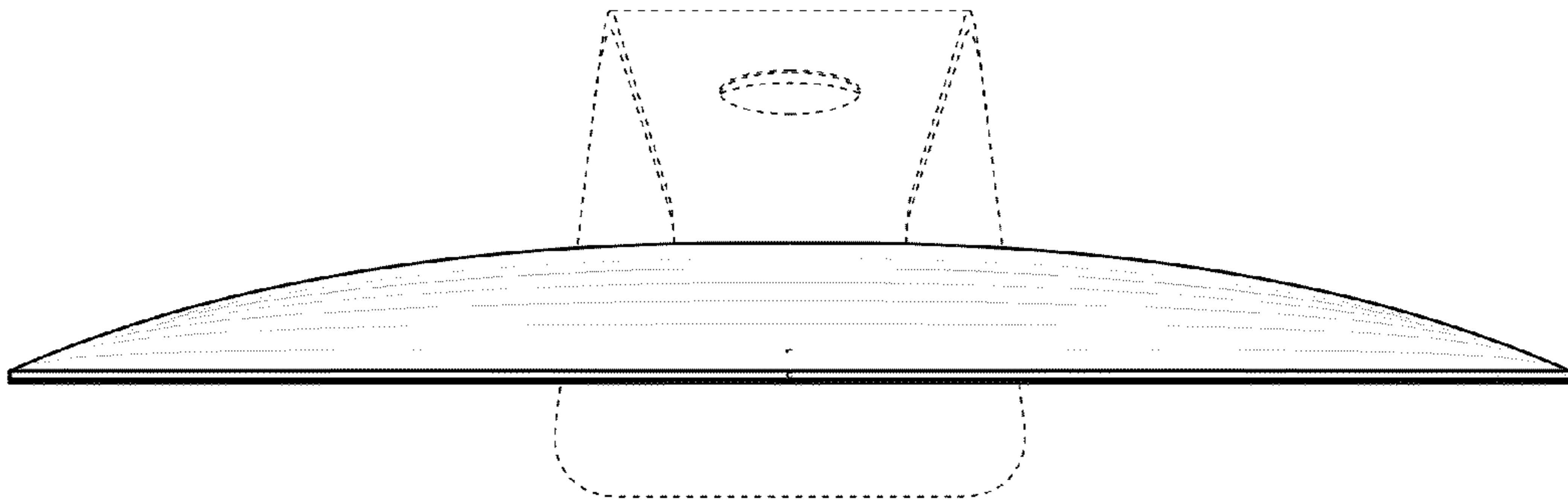


Fig. 133

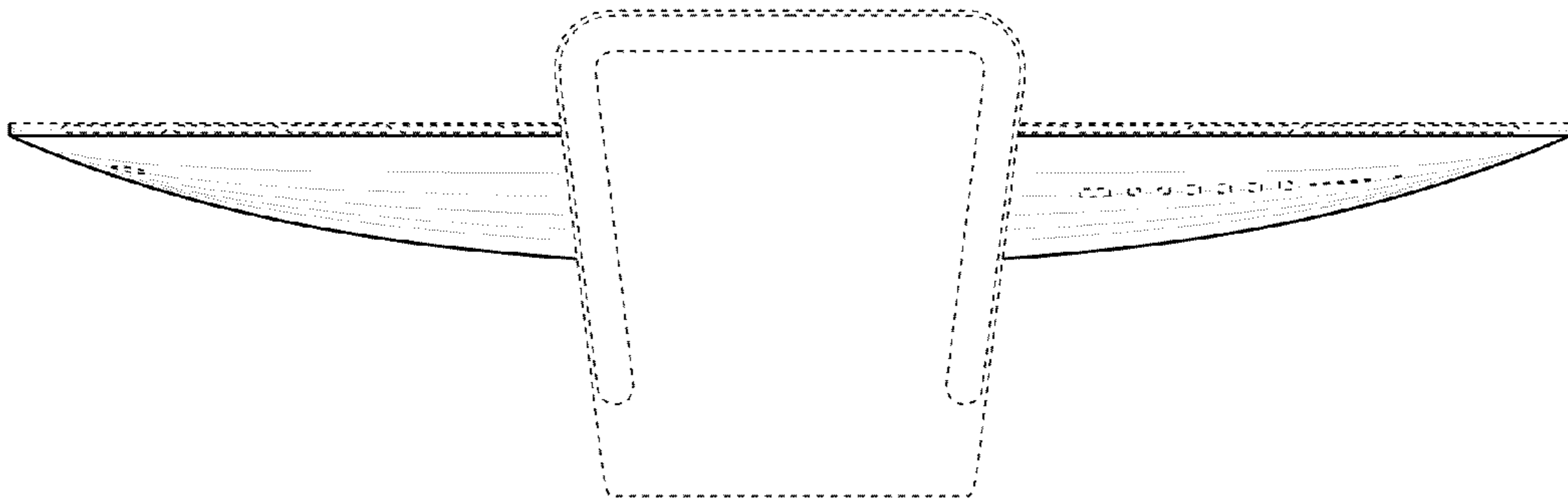


Fig. 134