



US00D712396S

(12) **United States Design Patent**
Johnson et al.

(10) **Patent No.:** **US D712,396 S**
(45) **Date of Patent:** **** Sep. 2, 2014**

- (54) **KIOSK TERMINAL AND STAND**
- (71) Applicant: **Toshiba Global Commerce Solutions Holdings Corporation**, Tokyo (JP)
- (72) Inventors: **Brad Matthew Johnson**, Raleigh, NC (US); **Jeffrey John Smith**, Raleigh, NC (US); **John David Landers, Jr.**, Raleigh, NC (US); **William Lewis Talley**, Wake Forest, NC (US)
- (73) Assignee: **Toshiba Global Commerce Solutions Holdings Corporation**, Tokyo (JP)
- (**) Term: **14 Years**
- (21) Appl. No.: **29/454,961**
- (22) Filed: **May 15, 2013**
- (51) **LOC (10) Cl.** **14-02**
- (52) **U.S. Cl.**
USPC **D14/307**
- (58) **Field of Classification Search**
USPC D14/302-307, 900-902; D13/163;
D20/10; D21/332, 325, 369, 370;
D99/28; D6/397, 466; 194/206;
361/679.01, 679.02, 679.04, 679.21,
361/679.57, 725
See application file for complete search history.

- (56) **References Cited**
U.S. PATENT DOCUMENTS
D259,184 S * 5/1981 Francis et al. D10/15
D261,424 S * 10/1981 Anson D24/229
D370,355 S * 6/1996 Kenney D6/314

D487,366 S *	3/2004	Peyker	D6/467
D518,480 S *	4/2006	Zheng et al.	D14/307
D524,312 S *	7/2006	Young	D14/375
D565,044 S *	3/2008	Witts et al.	D14/307
D572,942 S *	7/2008	Robbins et al.	D6/468
D574,377 S *	8/2008	Derocher et al.	D14/307
D671,595 S *	11/2012	O'Hara	D19/52
D675,608 S *	2/2013	Ono	D14/307
D675,609 S *	2/2013	Ono	D14/307
D675,610 S *	2/2013	Ono	D14/307
D687,429 S *	8/2013	Nelson et al.	D14/307
D693,607 S *	11/2013	Johnson et al.	D6/672
D702,676 S *	4/2014	Smith et al.	D14/307
2013/0320177 A1 *	12/2013	Chen et al.	248/371

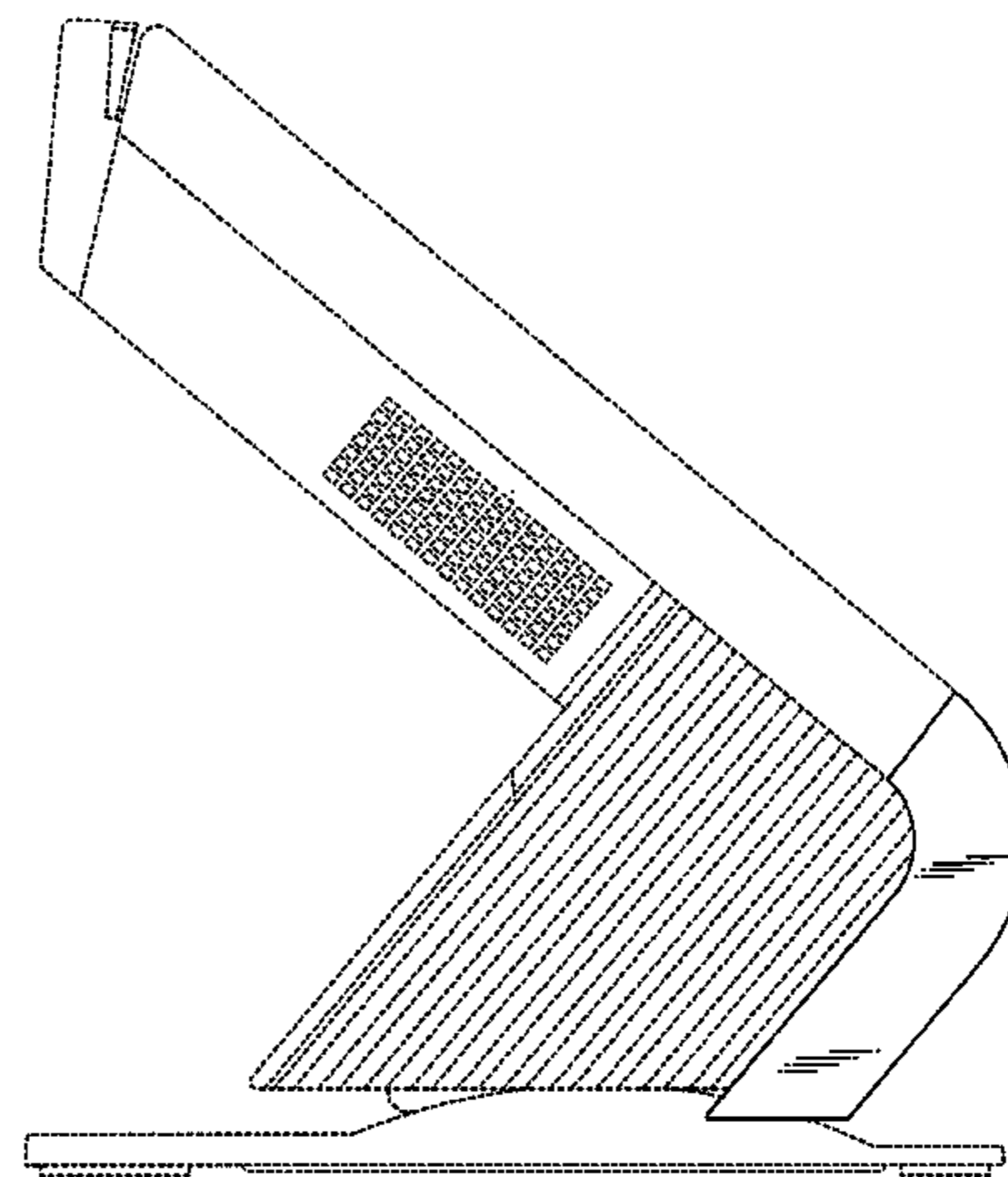
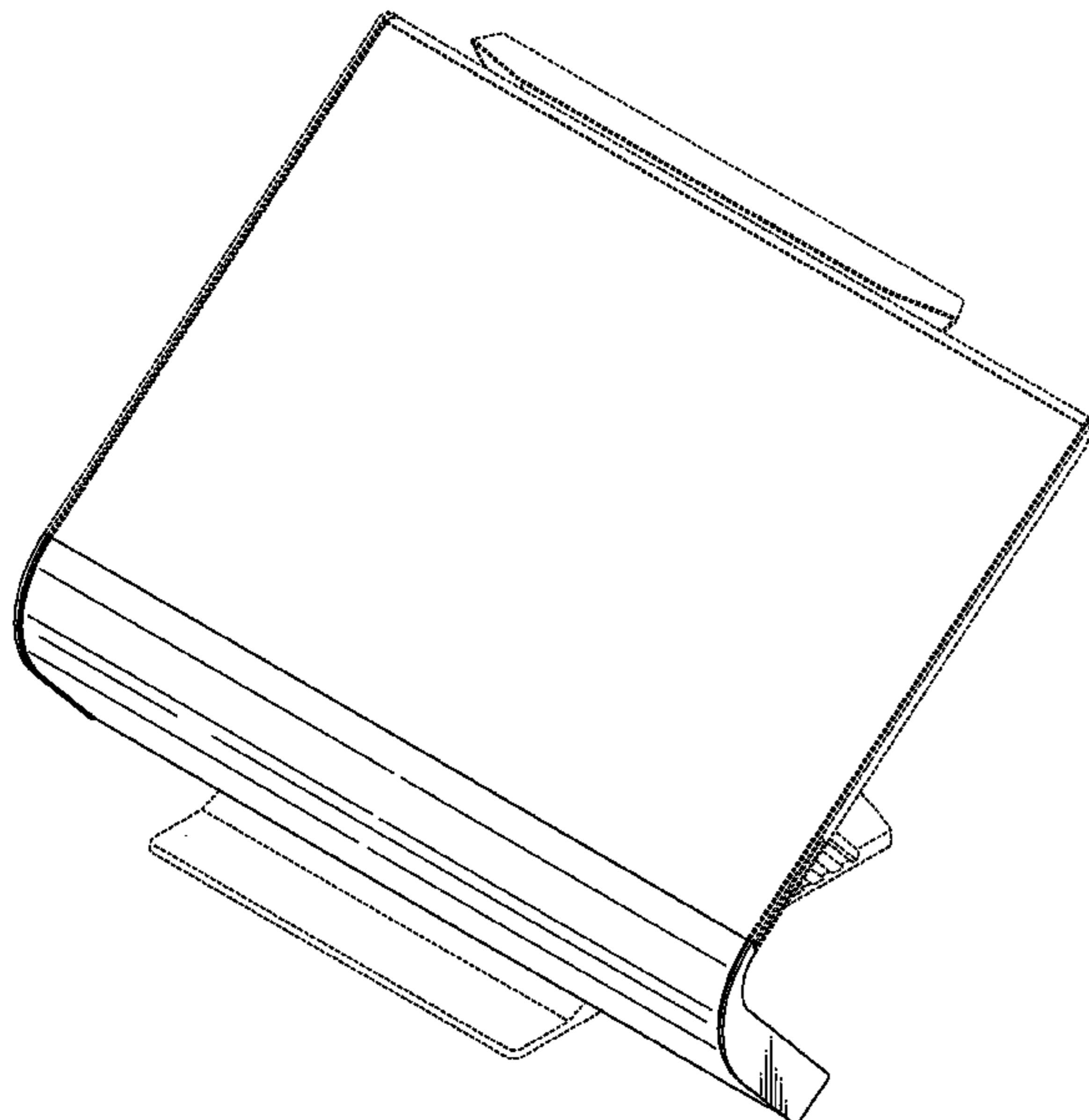
* cited by examiner

Primary Examiner — Austin Murphy
(74) *Attorney, Agent, or Firm* — Ohlandt, Greenley, Ruggiero & Perle, L.L.P.

(57) **CLAIM**
The ornamental design for a kiosk terminal and stand, as shown and described.

DESCRIPTION
FIG. 1 is a front, top and right side perspective view of a kiosk terminal and stand, showing our new design;
FIG. 2 is a rear, bottom and left side perspective view thereof;
FIG. 3 is a front elevational view thereof;
FIG. 4 is a rear elevational view thereof;
FIG. 5 is a top plan view thereof;
FIG. 6 is a bottom plan view thereof;
FIG. 7 is a left side elevational view thereof; and,
FIG. 8 is a right side elevational view thereof.
The broken lines are for illustrative purposes only and form no part of the claimed design.

1 Claim, 7 Drawing Sheets



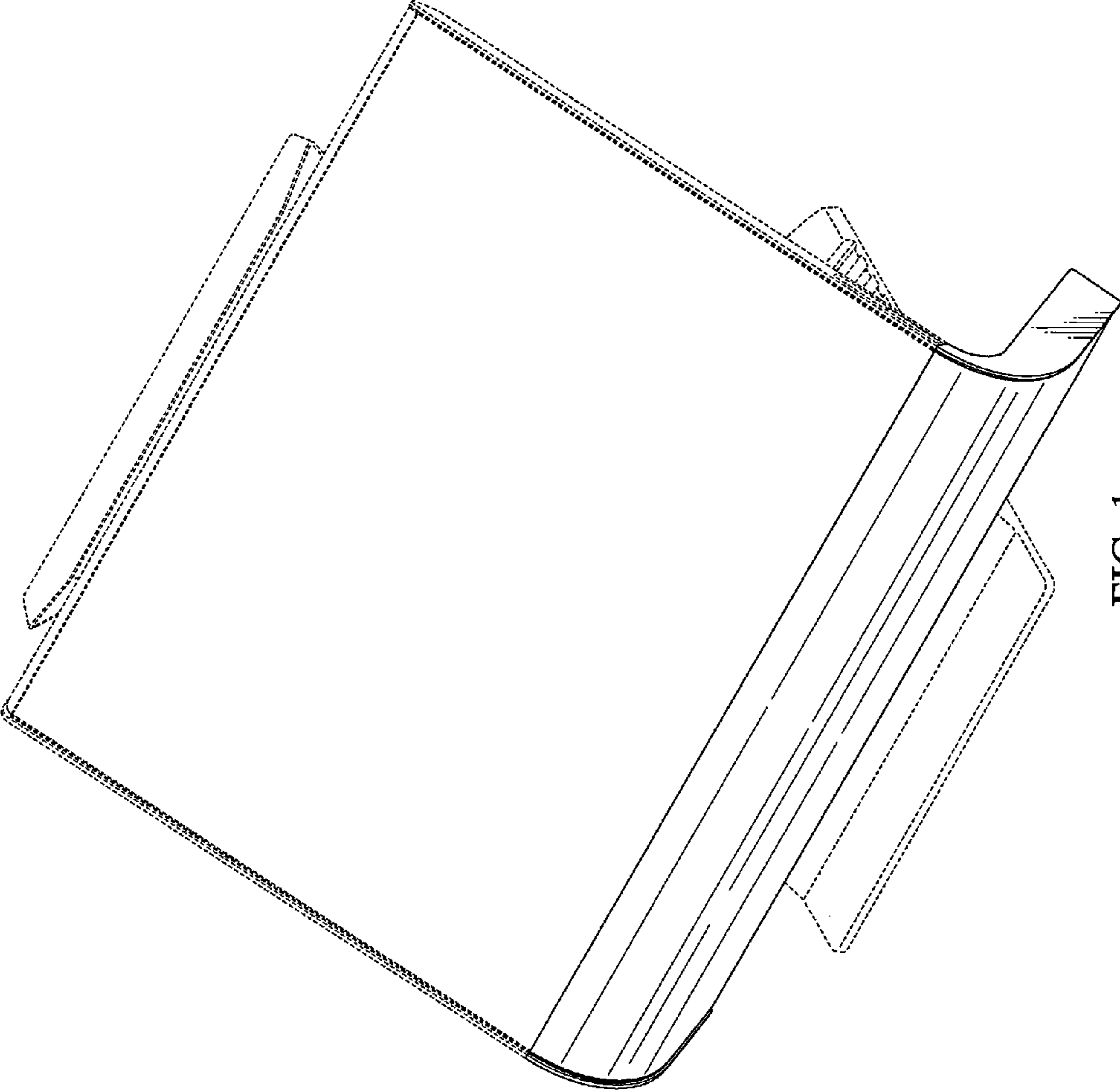


FIG. 1

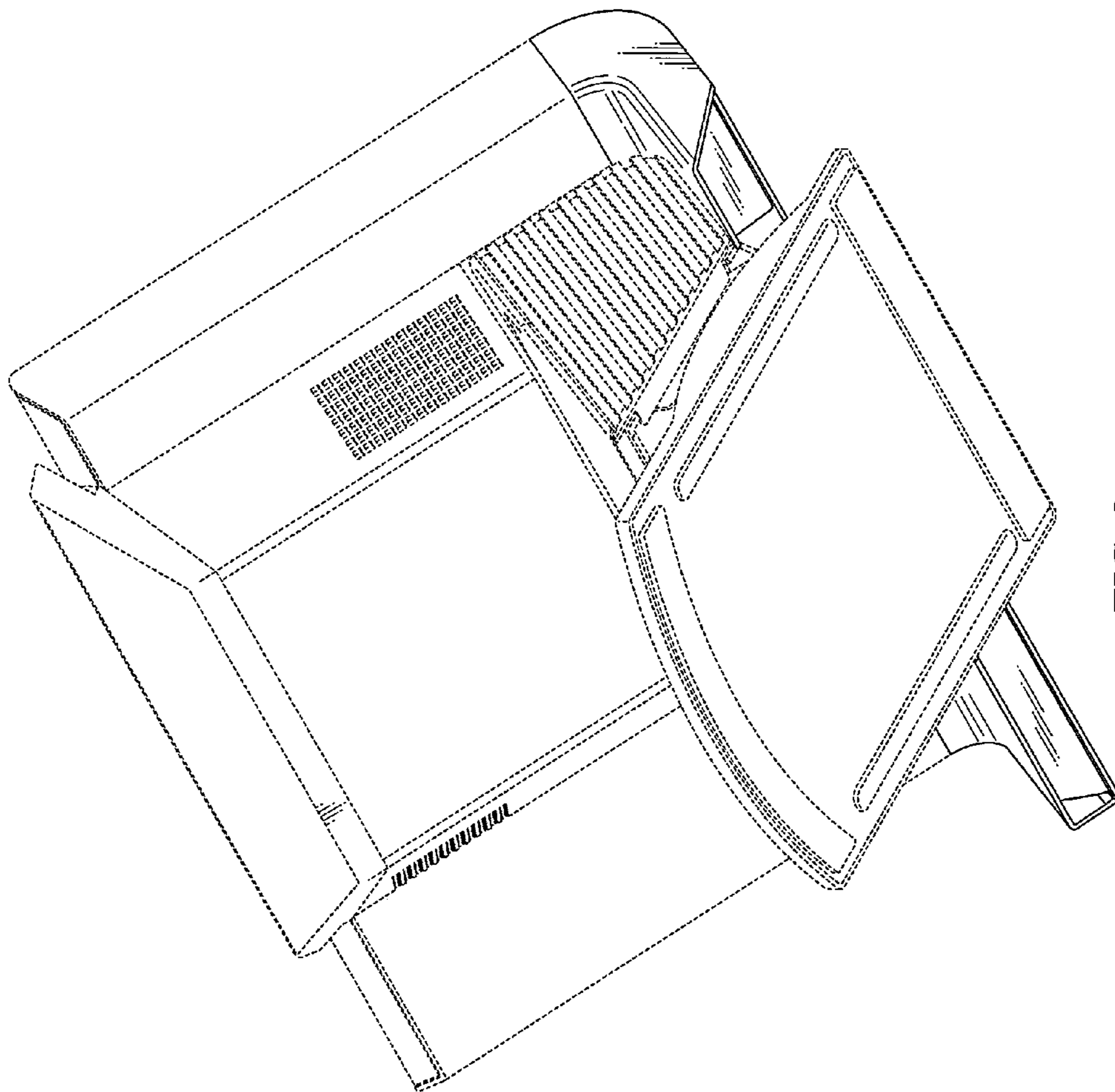


FIG. 2

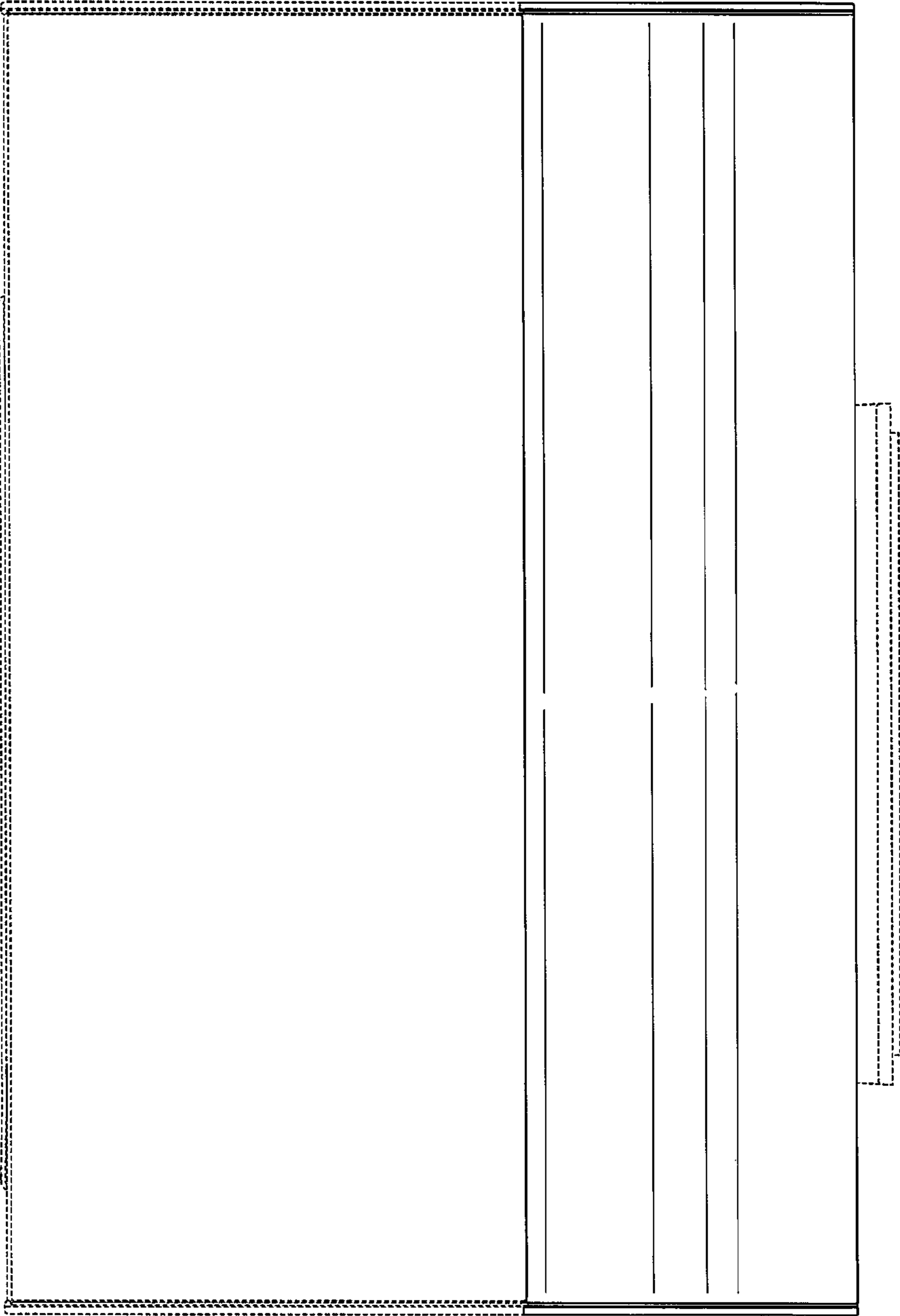


FIG. 3

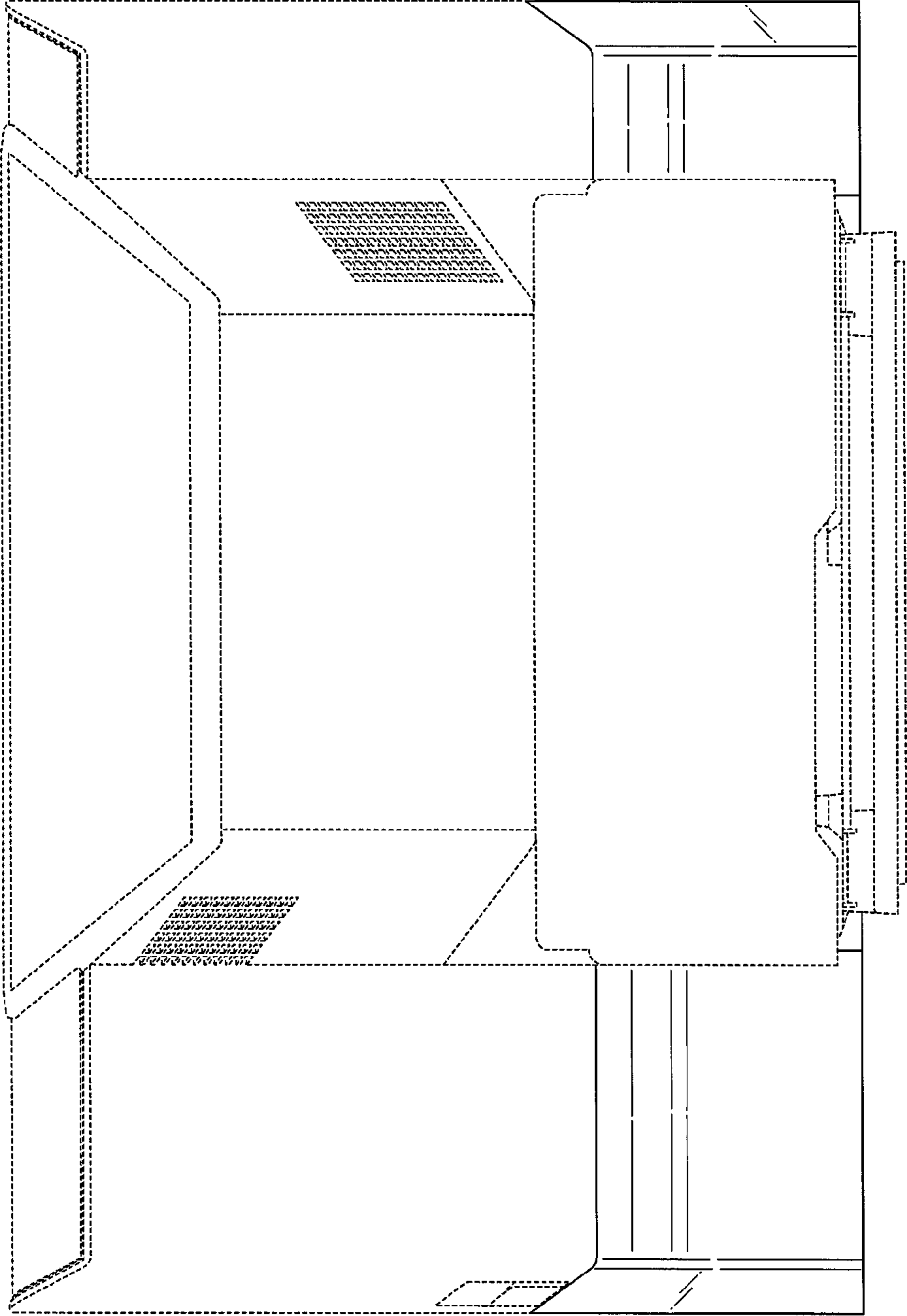


FIG. 4

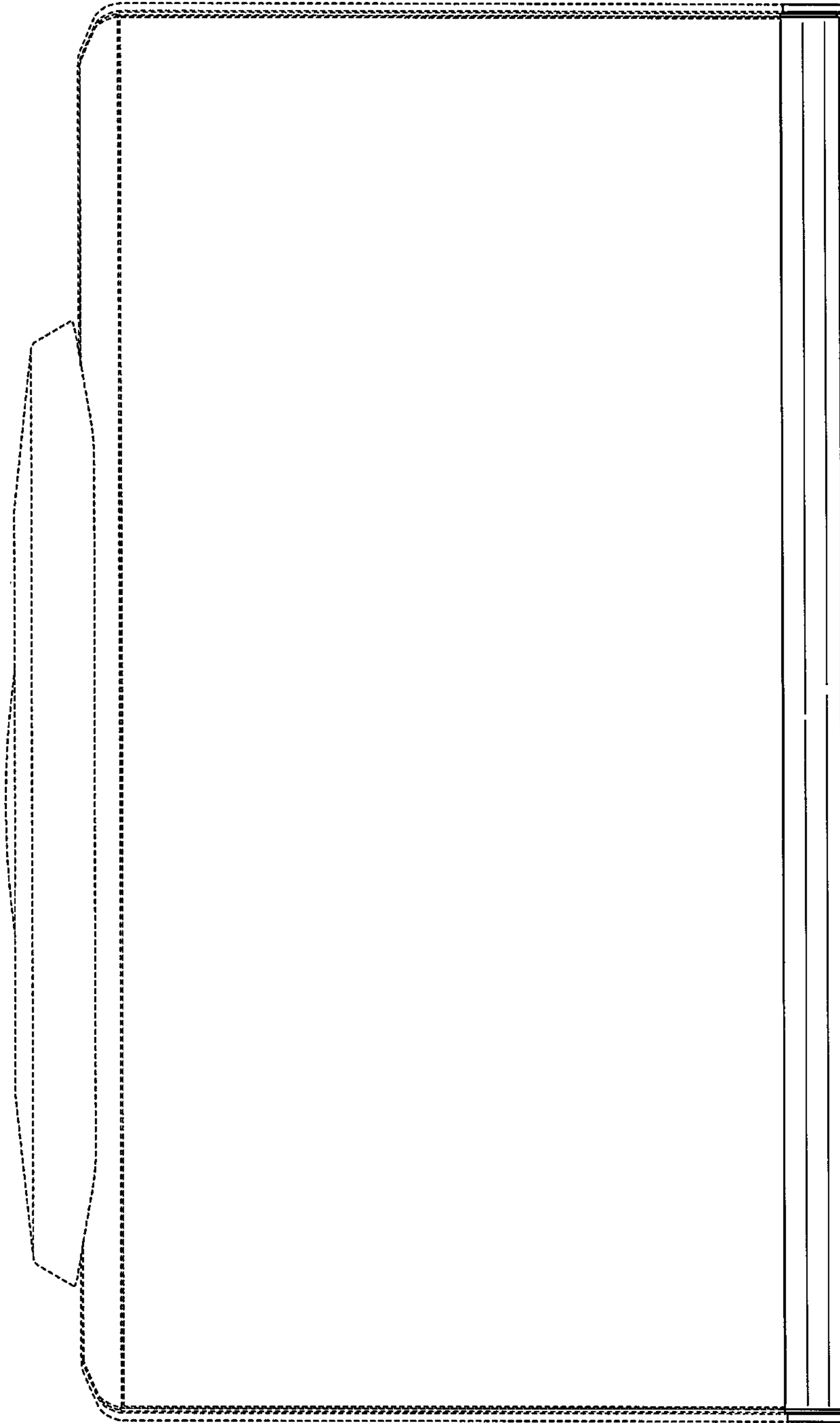


FIG. 5

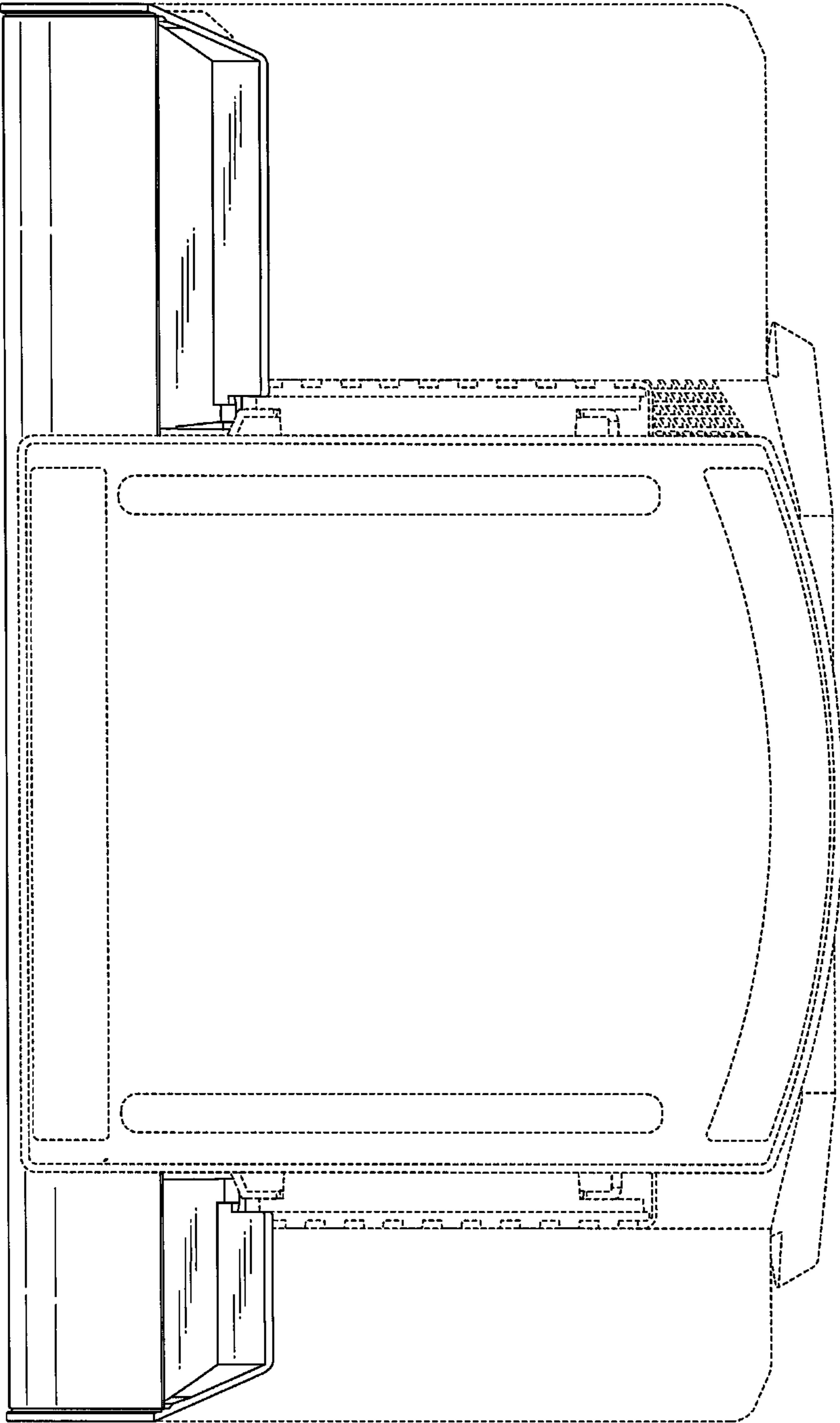


FIG. 6

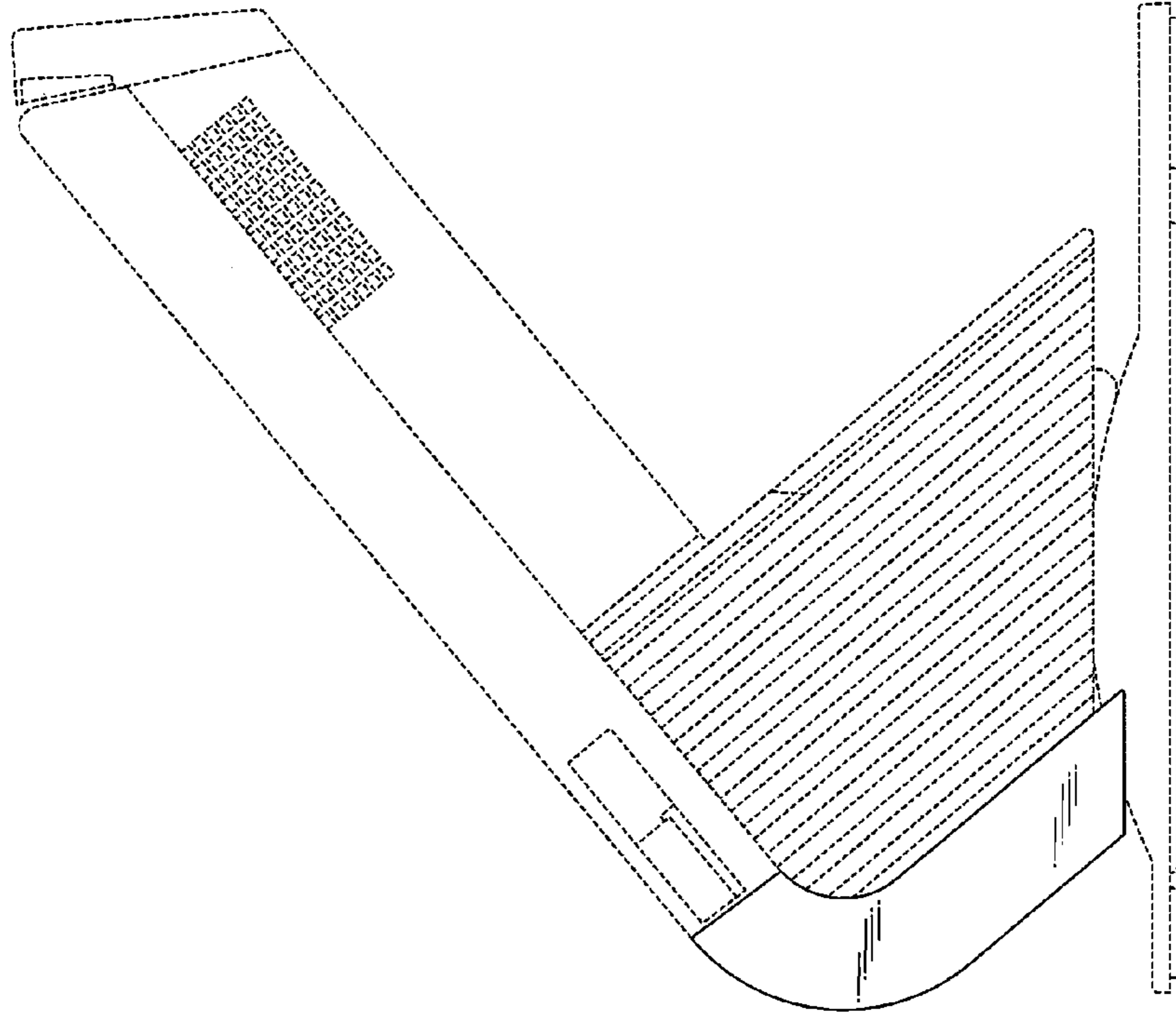


FIG. 8

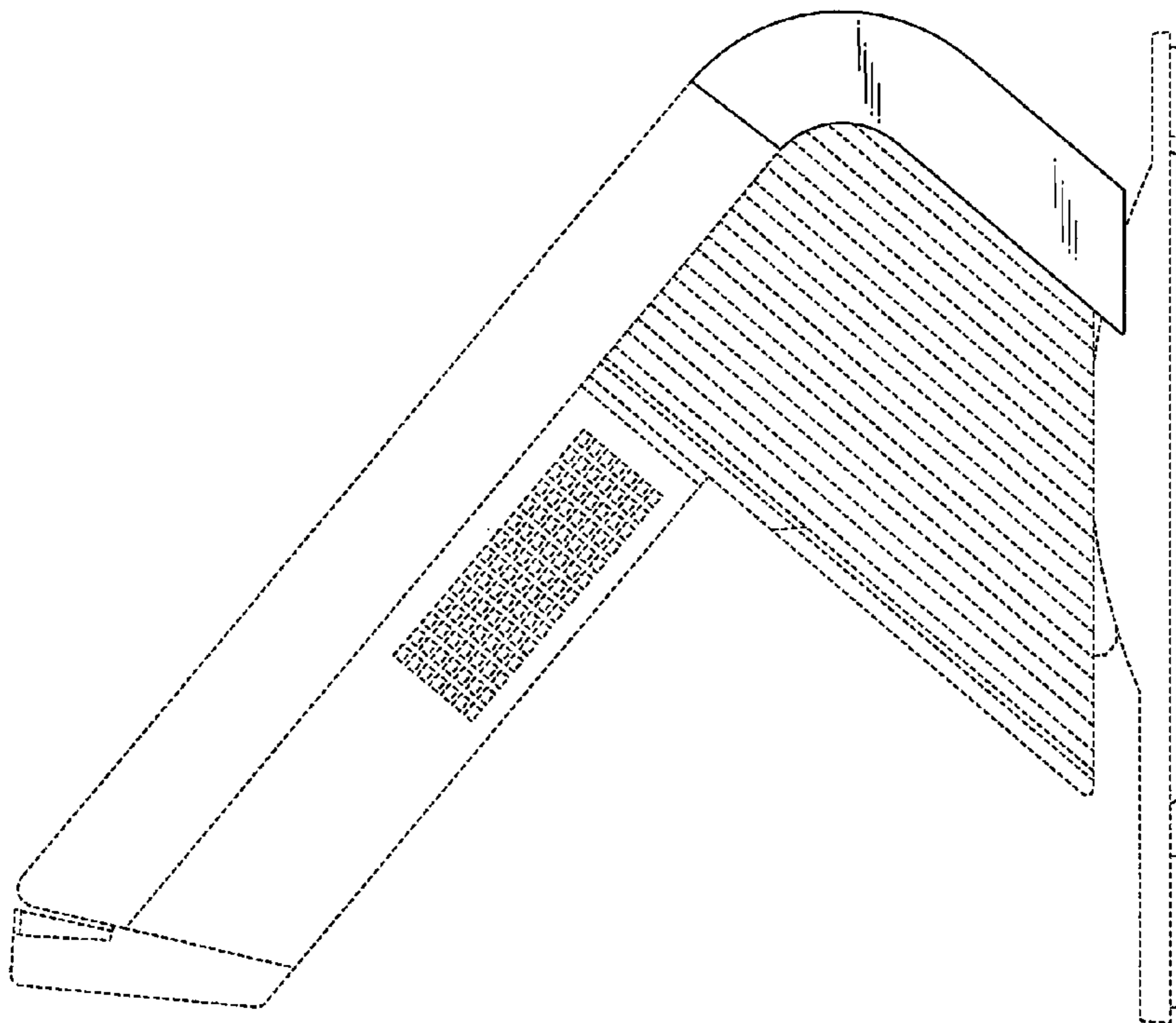


FIG. 7