



US00D712395S

(12) **United States Design Patent**  
**Staebler**

(10) **Patent No.:** **US D712,395 S**  
(45) **Date of Patent:** **\*\* Sep. 2, 2014**

(54) **CRADLE AND CHARGER ASSEMBLY FOR HAND-HELD ELECTRONIC DEVICE**

D471,907 S 3/2003 Peiker  
D478,120 S \* 8/2003 Hwang et al. .... D18/56

(Continued)

(71) Applicant: **Phoniture, LLC**, Southfield, MI (US)

*Primary Examiner* — Susan Bennett Hattan

(72) Inventor: **Jeffrey R. Staebler**, Livonia, MI (US)

*Assistant Examiner* — Janice Hallmark

(73) Assignee: **Phoniture, LLC**, Southfield, MI (US)

(74) *Attorney, Agent, or Firm* — Young Basile Hanlon & MacFarlane P.C.

(\*\*) Term: **14 Years**

(57) **CLAIM**

(21) Appl. No.: **29/471,047**

The ornamental design for a cradle and charger assembly for hand-held electronic device, as shown and described.

(22) Filed: **Oct. 28, 2013**

**DESCRIPTION**

**Related U.S. Application Data**

(63) Continuation of application No. 13/553,030, filed on Jul. 19, 2012.

FIG. 1 is a perspective view illustrating the ornamental design of the cradle and charger assembly for hand-held electronic device;

(51) **LOC (10) Cl.** ..... **14-03**

FIG. 2 is a front view of the cradle and charger assembly for hand-held electronic device;

(52) **U.S. Cl.**

USPC ..... **D14/253**

FIG. 3 is a rear view of the cradle and charger assembly for hand-held electronic device and with broken lines showing a representative access port;

(58) **Field of Classification Search**

USPC ..... D14/208, 209.1, 217, 238.1, 243, D14/250–253, 434, 440, 447, 496, D14/203.3–203.7, 248, 240, 341–347; D3/201, 215, 218, 226, 269, 273, 301, D3/303; D19/90; D6/553; 455/575.1, 455/575.8; 206/305, 320; 320/108, 115; 429/96; 220/4.02; 150/165; 361/679.56, 679.3, 679.25, 816; 379/426, 446, 455, 433.1; 248/371, 248/176.3, 668; 224/411; D12/223, 407

FIG. 4 is a right side view of the cradle and charger assembly for hand-held electronic device;

FIG. 5 is a left side view of the cradle and charger assembly for hand-held electronic device;

FIG. 6 is a top view of the cradle and charger assembly for hand-held electronic device;

FIG. 7 is a bottom view of the cradle and charger assembly for hand-held electronic device with broken lines showing representative optional lighting feature;

See application file for complete search history.

FIG. 8 is a perspective view of the cradle and charger assembly for hand-held electronic device with broken lines showing an exemplary smart phone cradled in a vertical position; and, FIG. 9 is a perspective view of the cradle and charger assembly for hand-held electronic device with broken lines showing an exemplary smart phone cradled in a horizontal position.

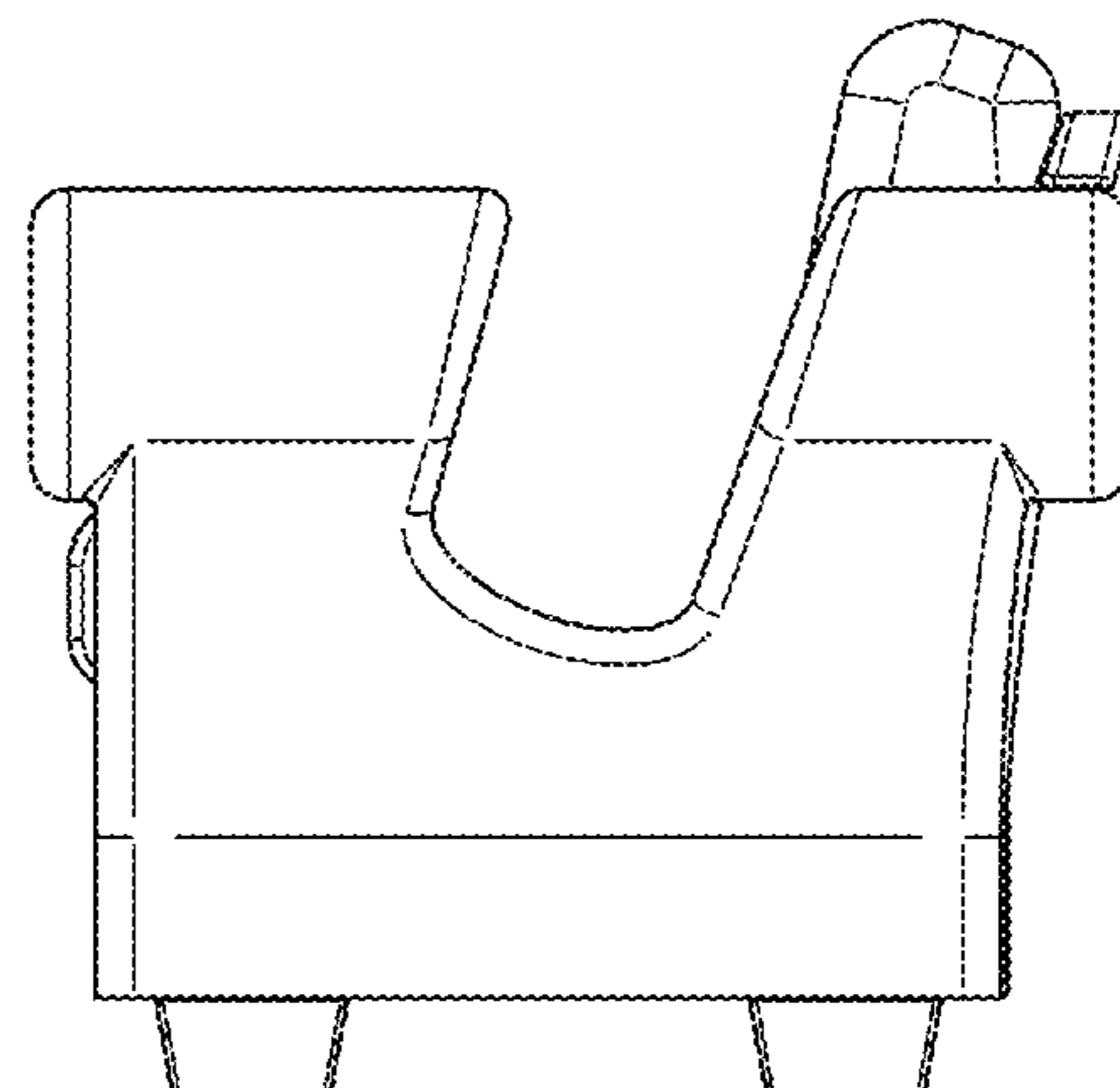
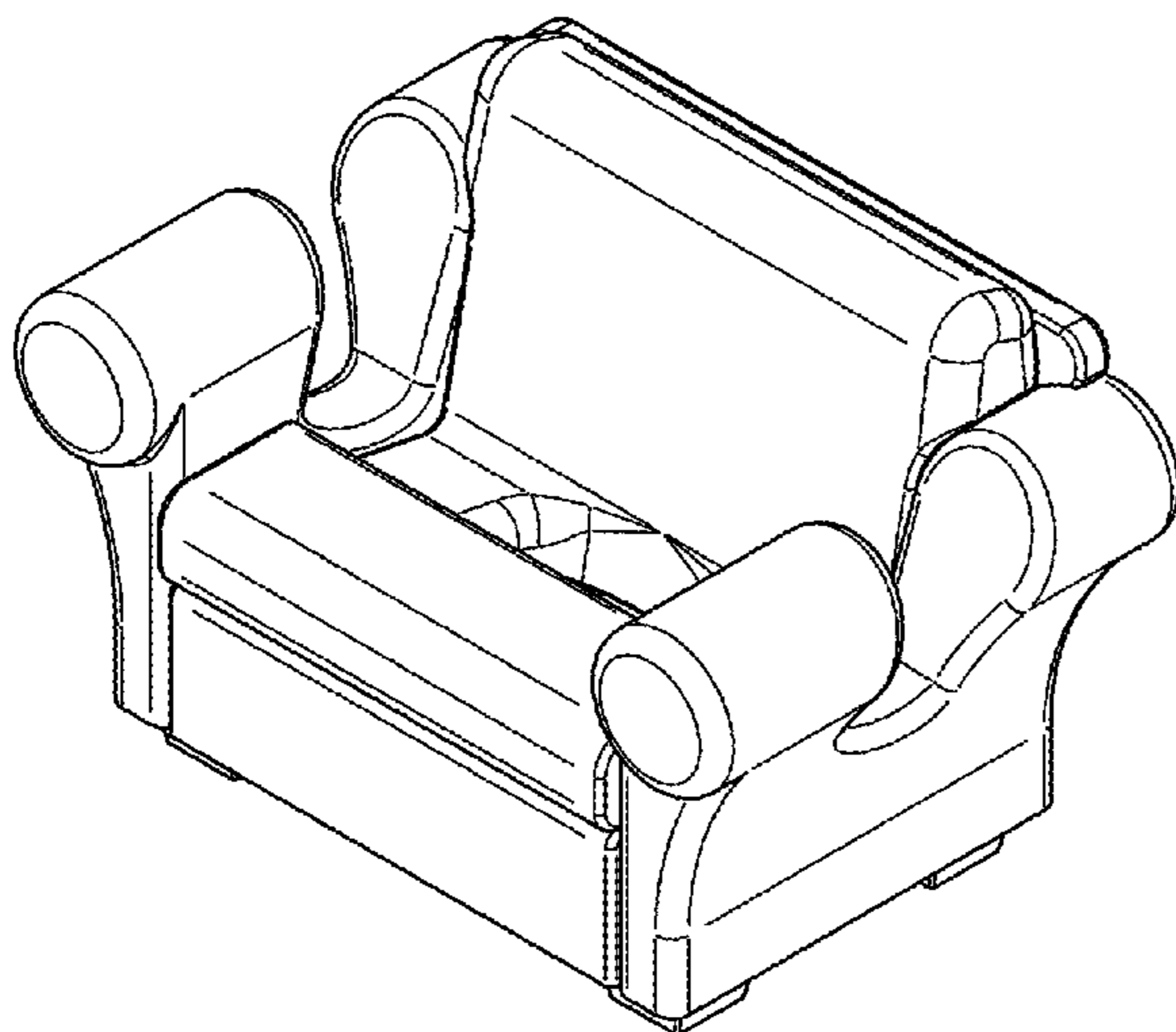
The broken lines shown in the drawings depict environmental subject matter and form no part of the claimed design.

(56) **References Cited**

**U.S. PATENT DOCUMENTS**

D279,052 S	6/1985	McDonald
D407,230 S	3/1999	Lieberman
D427,590 S	7/2000	Mou
D430,154 S	8/2000	Mou
D446,513 S	8/2001	Mou

**1 Claim, 4 Drawing Sheets**



(56)

**References Cited**

U.S. PATENT DOCUMENTS

7,191,924 B2 3/2007 Kilmer  
D609,461 S 2/2010 Boyd

D693,814 S \* 11/2013 Park ..... D14/434  
2002/0191782 A1 12/2002 Beger et al.  
2005/0141699 A1 6/2005 Cheung  
2013/0023312 A1\* 1/2013 Staebler ..... 455/575.1

\* cited by examiner

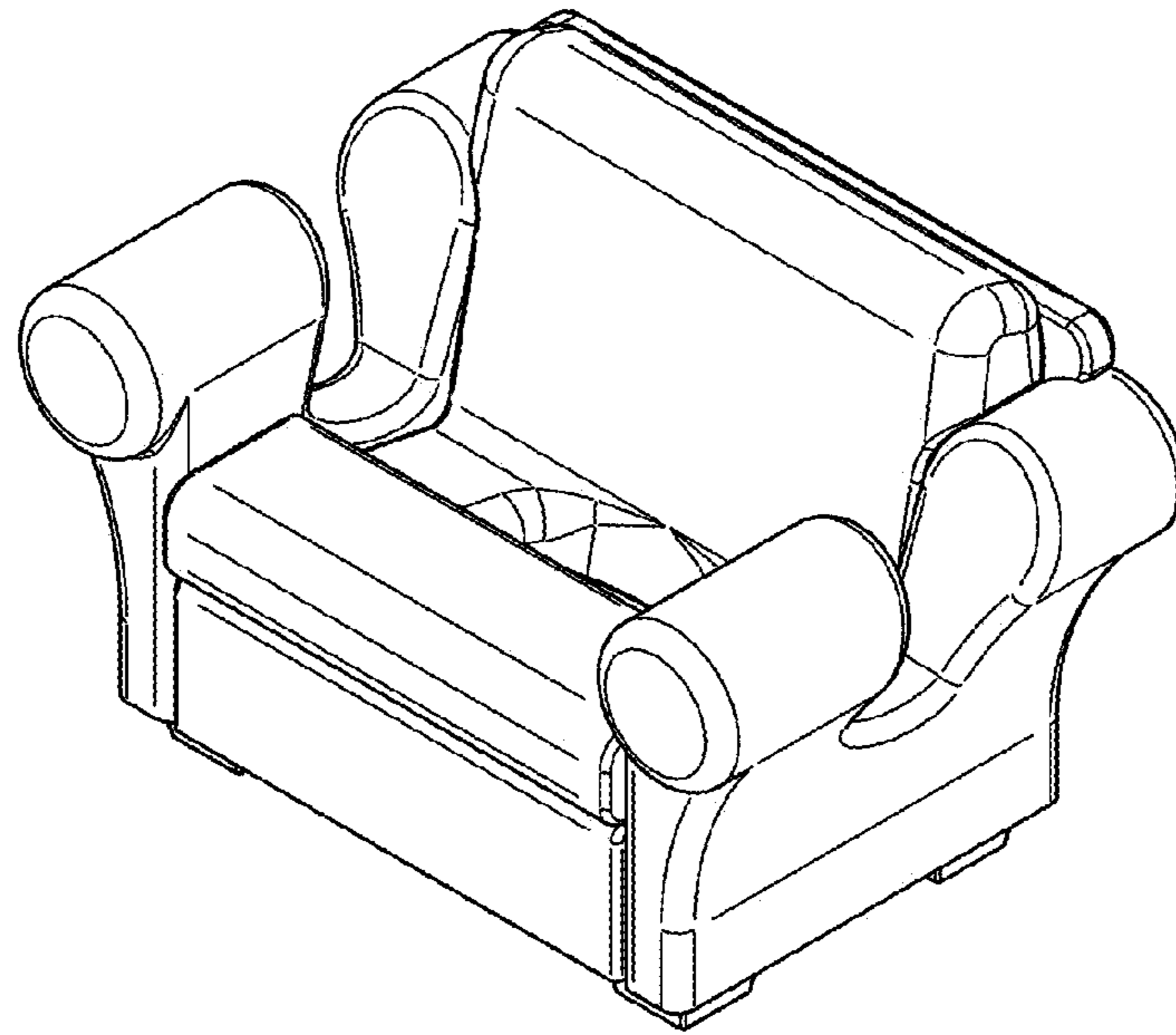


FIG. 1

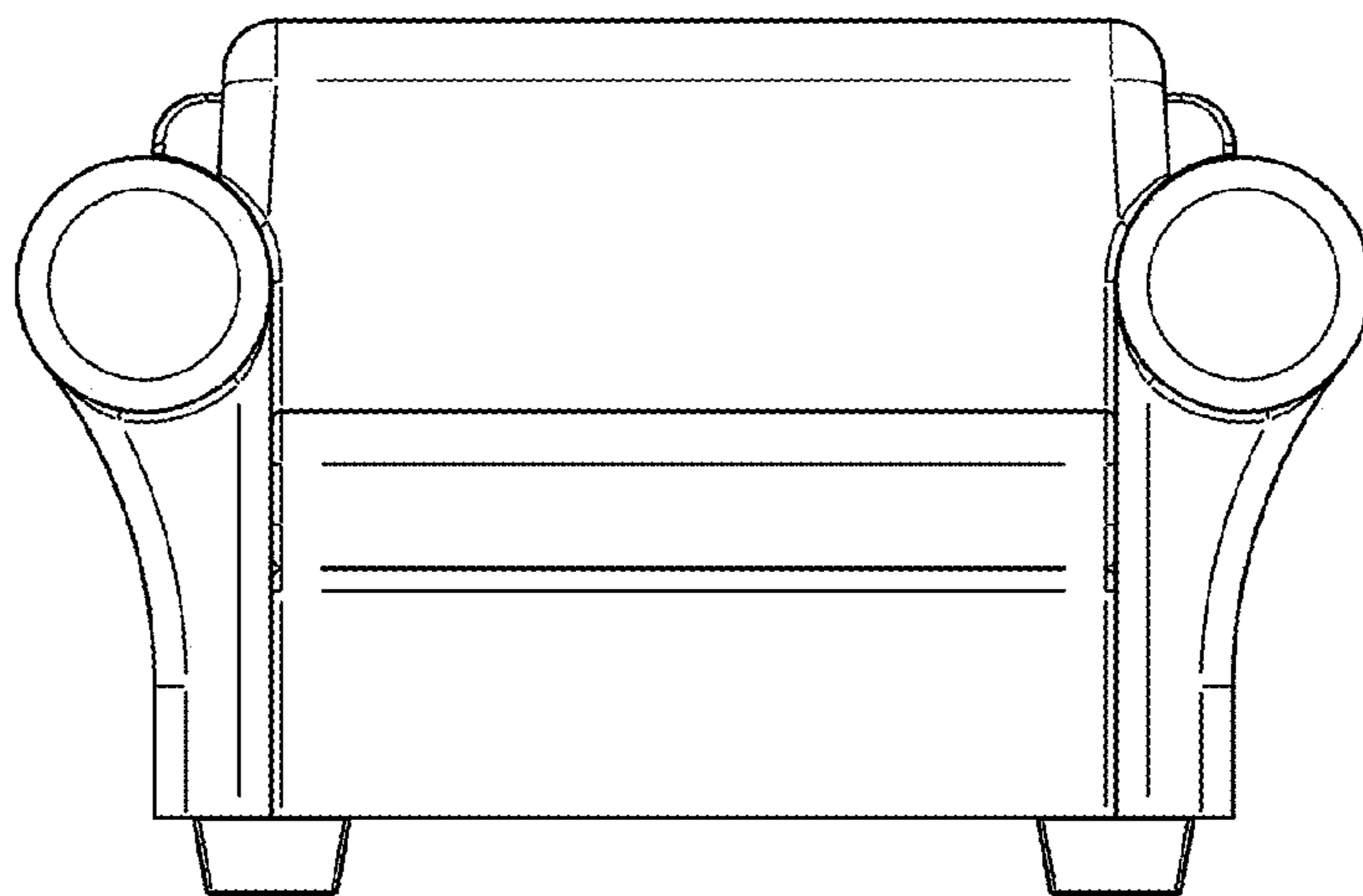


FIG. 2

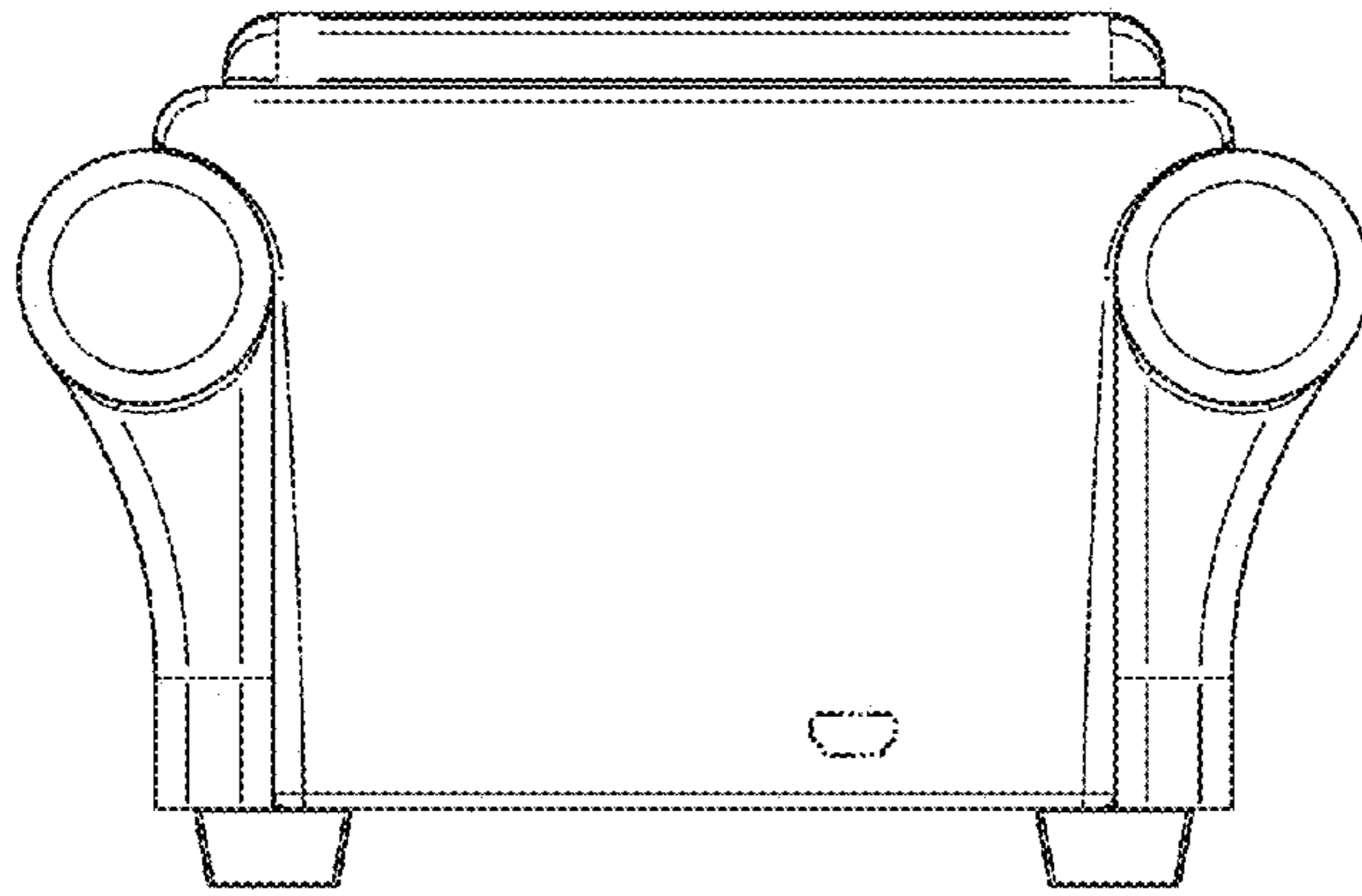


FIG. 3

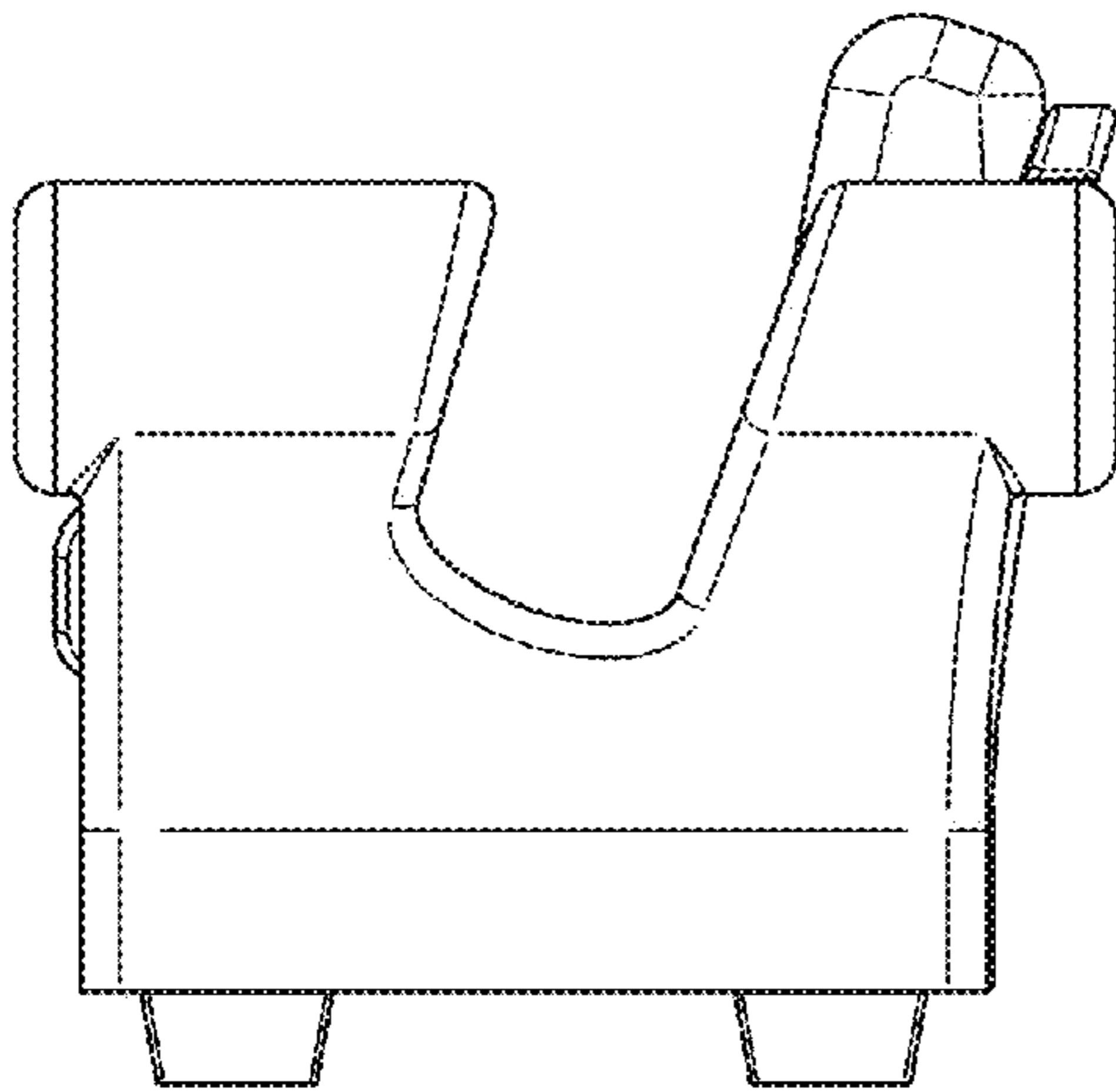


FIG. 4

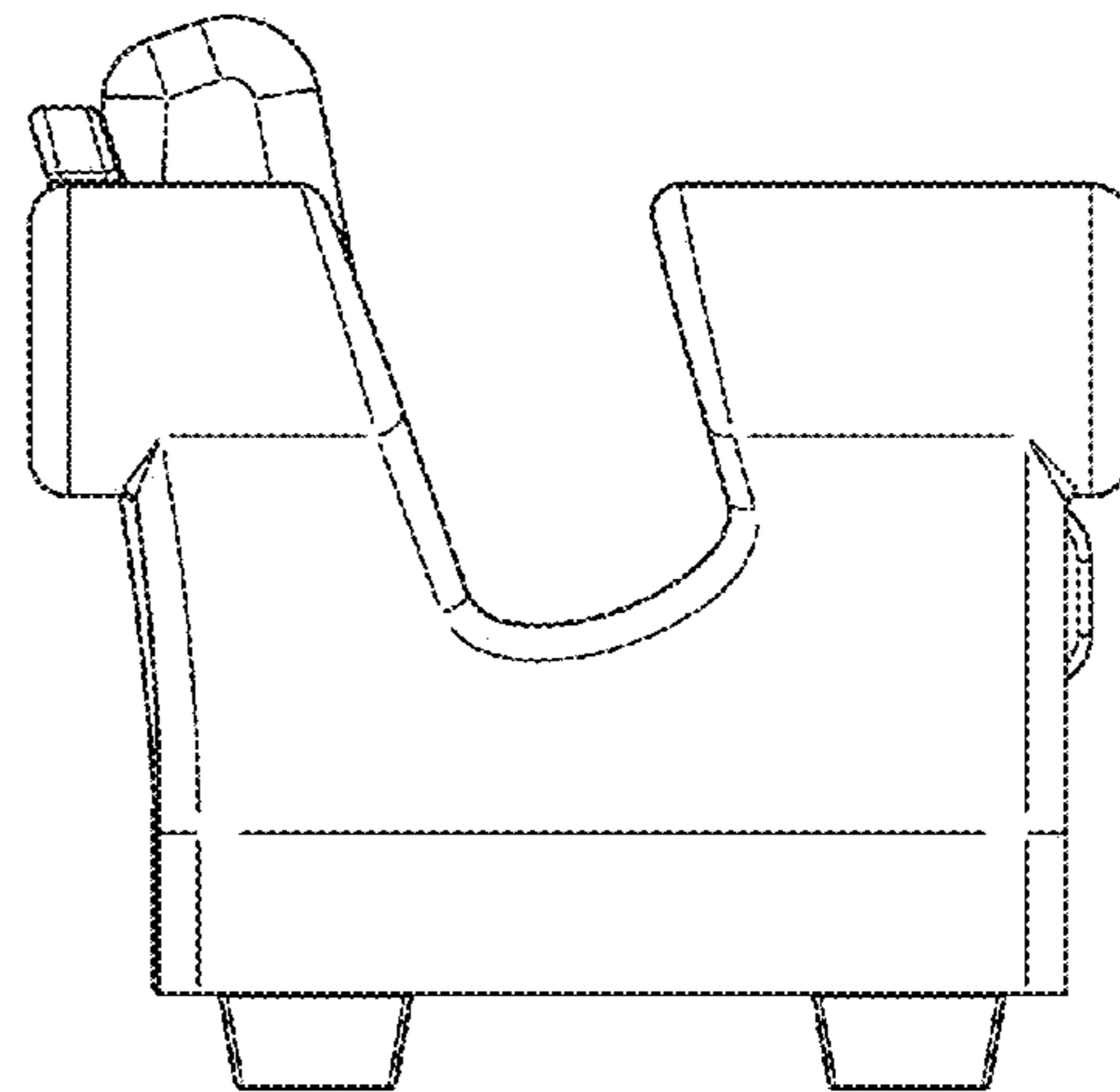


FIG. 5

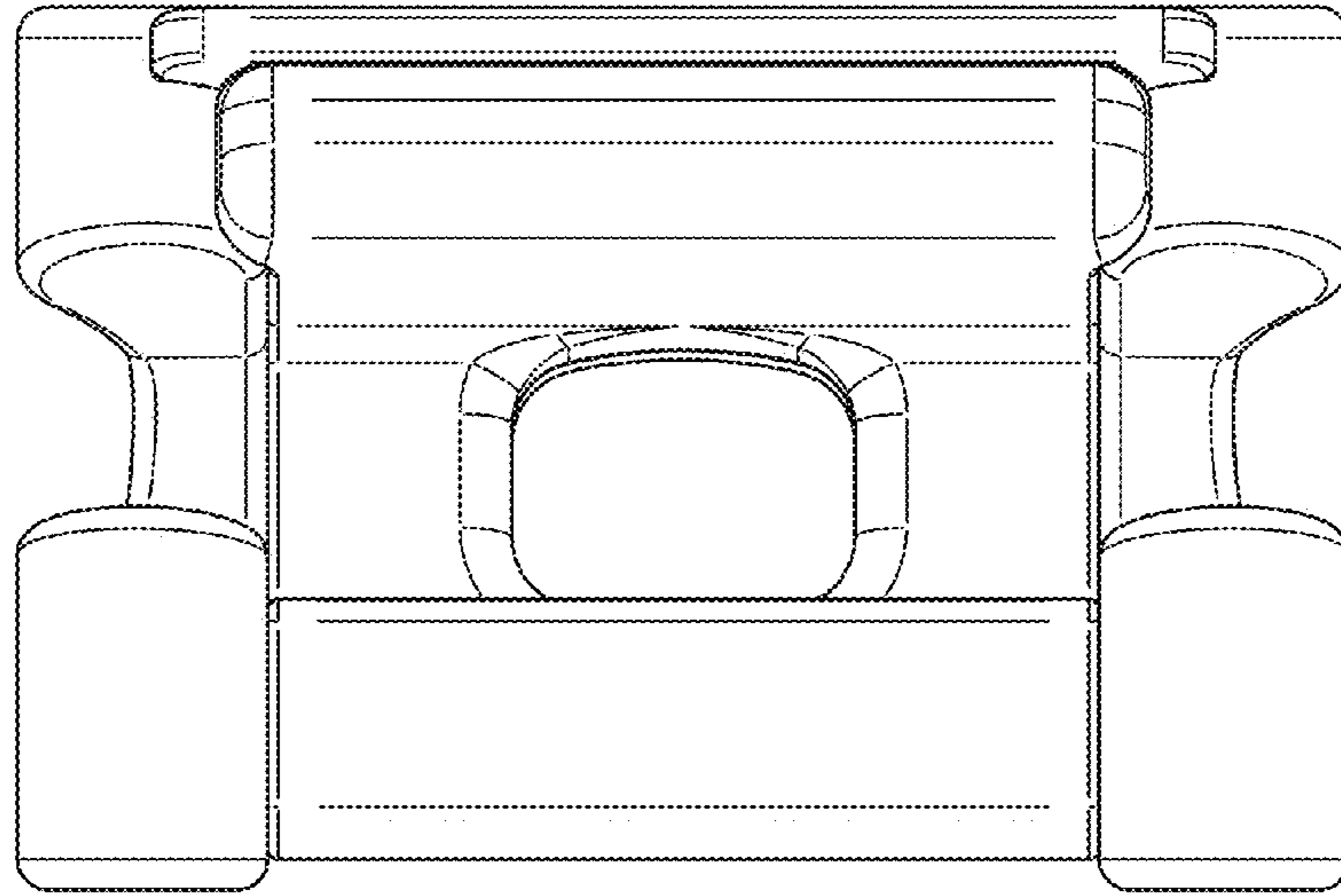


FIG. 6

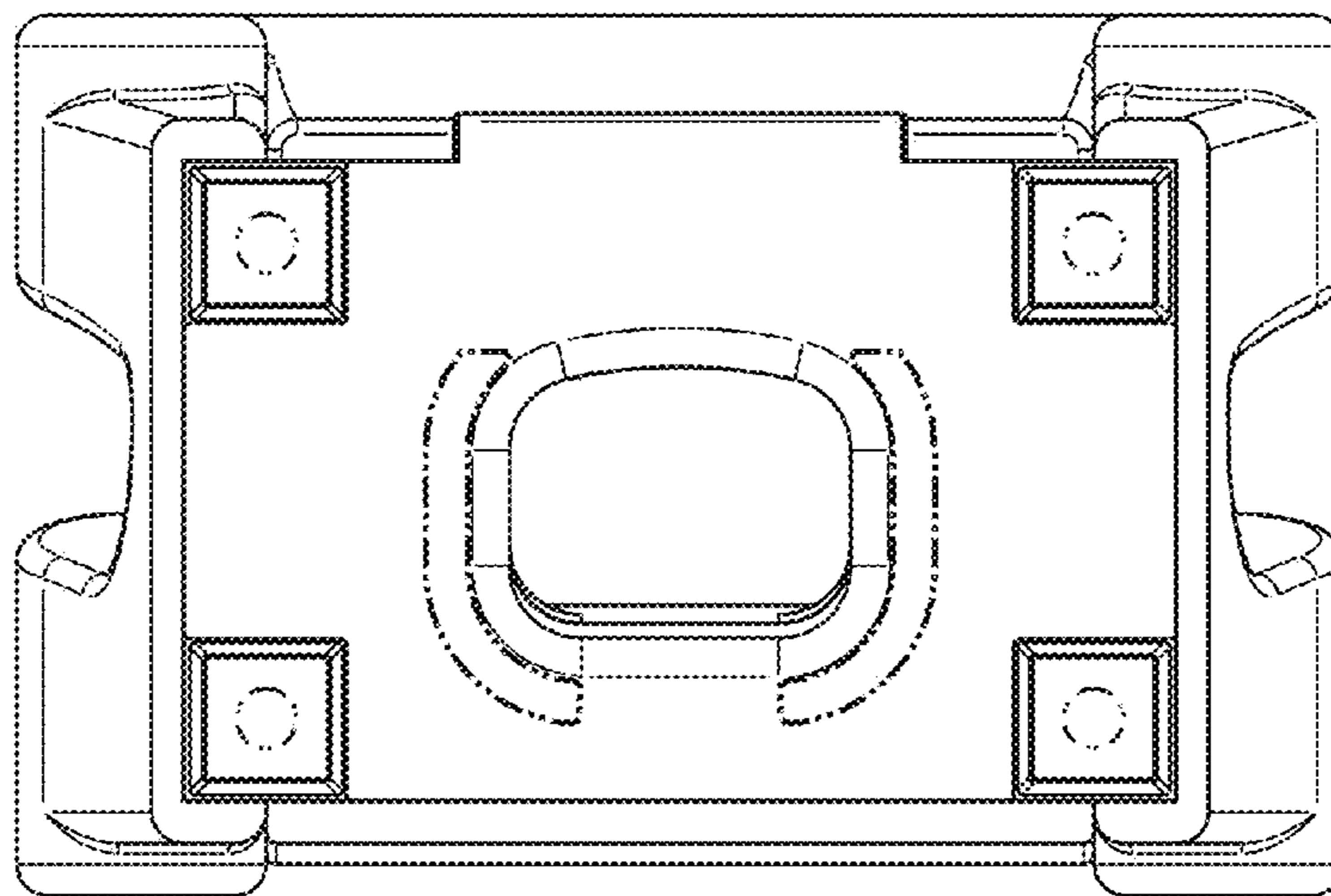


FIG. 7

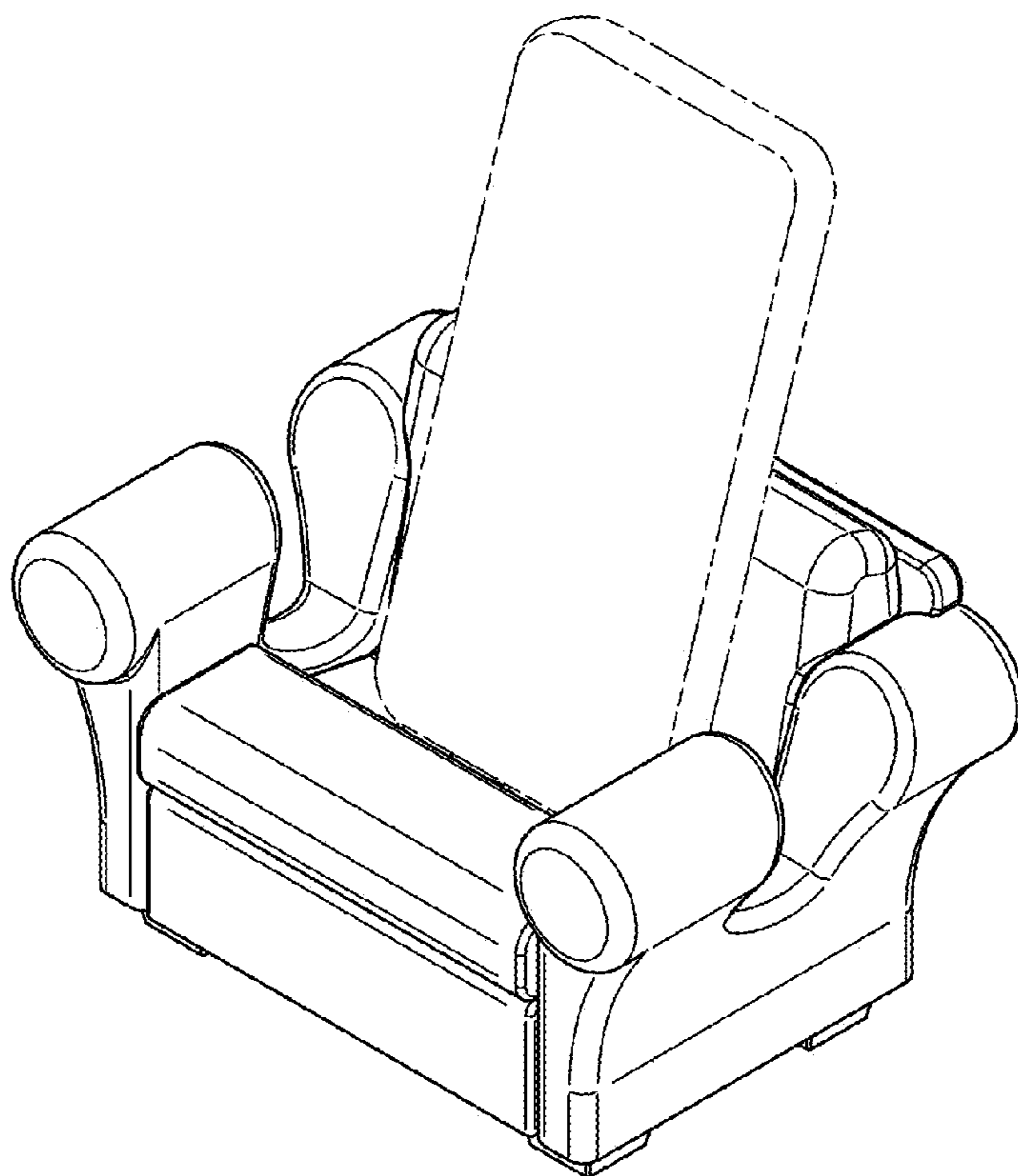


FIG. 8

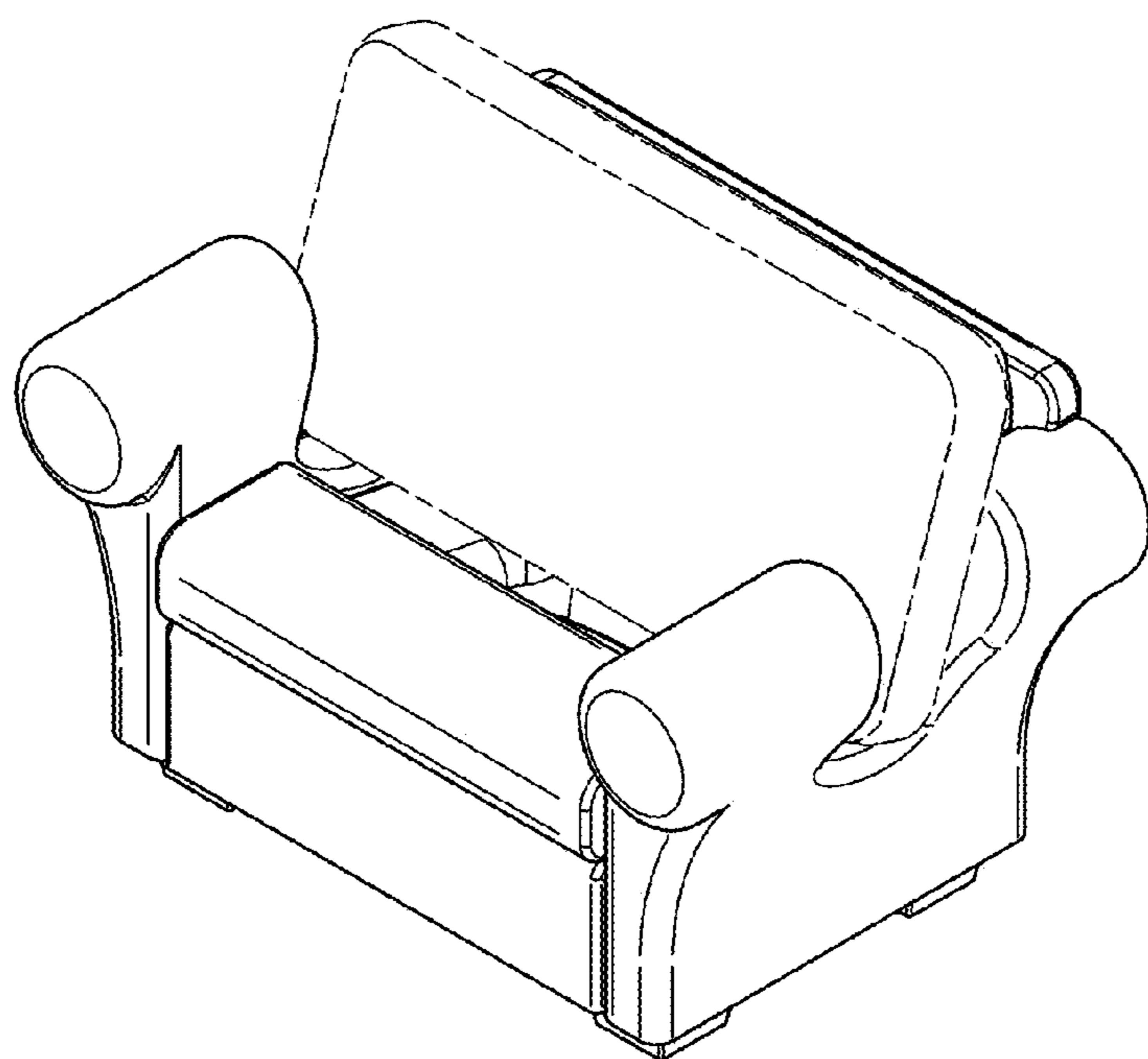


FIG. 9