



US00D712394S

(12) **United States Design Patent**
Booth et al.

(10) **Patent No.:** **US D712,394 S**

(45) **Date of Patent:** **** Sep. 2, 2014**

(54) **ELECTRONIC DEVICE HOLDER**

(71) Applicant: **Thule IP AB**, Malmo (SE)

(72) Inventors: **Campbell Booth**, Dunedin (NZ);
Patrick Maguire, Dunedin (NZ);
Michael Noer, Stillwater, MN (US)

(73) Assignee: **Thule IP AB**, Malmo (SE)

(**) Term: **14 Years**

(21) Appl. No.: **29/461,462**

(22) Filed: **Jul. 23, 2013**

(51) **LOC (10) Cl.** **14-03**

(52) **U.S. Cl.**
USPC **D14/253**

(58) **Field of Classification Search**
USPC D14/208, 209.1, 217, 238.1, 243,
D14/250-253, 434, 440, 447, 496,
D14/203.3-203.7, 248, 240, 341-347;
D3/201, 215, 218, 226, 269, 273, 301,
D3/303; D19/90; D6/553; 455/575.1,
455/575.8; 206/305, 320; 320/108, 115;
429/96; 220/4.02; 150/165;
361/679.56, 679.3, 679.25, 816;
379/426, 446, 455, 433.1; 248/371,
248/176.3, 668; 224/411; D12/223, 407
See application file for complete search history.

(56) **References Cited**

U.S. PATENT DOCUMENTS

D499,092 S * 11/2004 Fan D14/253
D529,905 S * 10/2006 Richter D14/253

D530,713 S * 10/2006 Richter D14/253
7,158,092 B2 * 1/2007 Shen 343/878
D590,184 S * 4/2009 Barabas et al. D6/466
D606,065 S * 12/2009 Rihu D14/253
D614,613 S * 4/2010 Kim et al. D14/253
D626,541 S * 11/2010 Kim et al. D14/253
D626,953 S * 11/2010 Wilson D14/252
D670,284 S * 11/2012 Choi D14/253
D671,110 S * 11/2012 Choi D14/253
D685,379 S * 7/2013 Richter D14/447
D685,804 S * 7/2013 Richter D14/447
D696,241 S * 12/2013 Paugh et al. D14/253
2002/0191782 A1 * 12/2002 Beger et al. 379/454
2005/0236536 A1 * 10/2005 Fan 248/176.3
2011/0019992 A1 * 1/2011 Orf 396/419

* cited by examiner

Primary Examiner — Susan Bennett Hattan

Assistant Examiner — Janice Hallmark

(74) *Attorney, Agent, or Firm* — Sheridan Ross P.C.

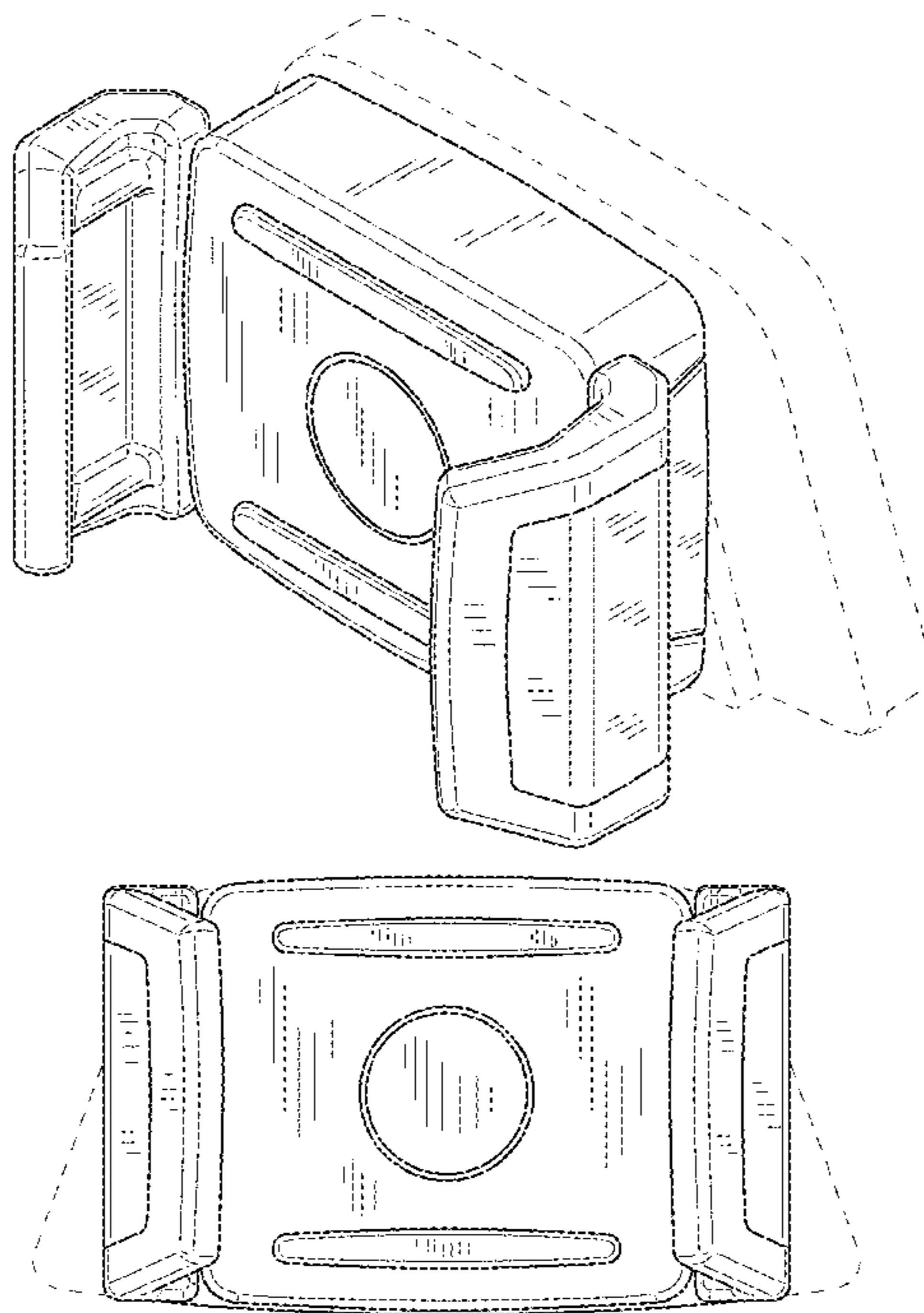
(57) **CLAIM**

The ornamental design for an electronic device holder, as shown and described.

DESCRIPTION

FIG. 1 is a front perspective view of the electronic device holder;
FIG. 2 is a front elevation view thereof;
FIG. 3 is a rear elevation view thereof;
FIG. 4 is a right elevation view thereof;
FIG. 5 is a left elevation view thereof;
FIG. 6 is a top plan view thereof; and,
FIG. 7 is a bottom plan view thereof.
The broken lines illustrate environment and are included for the purpose of illustrating unclaimed features of the design.

1 Claim, 4 Drawing Sheets



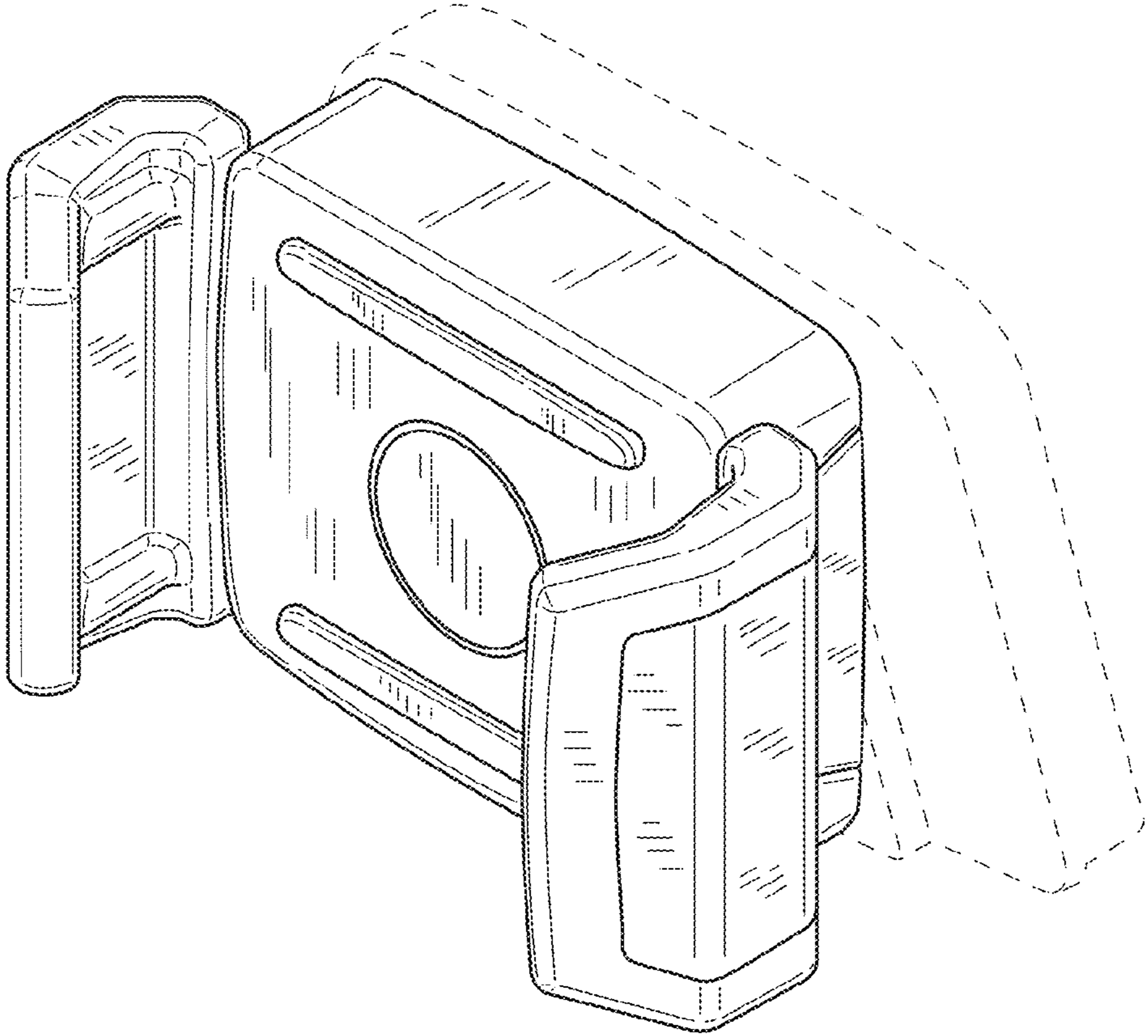


FIG.1

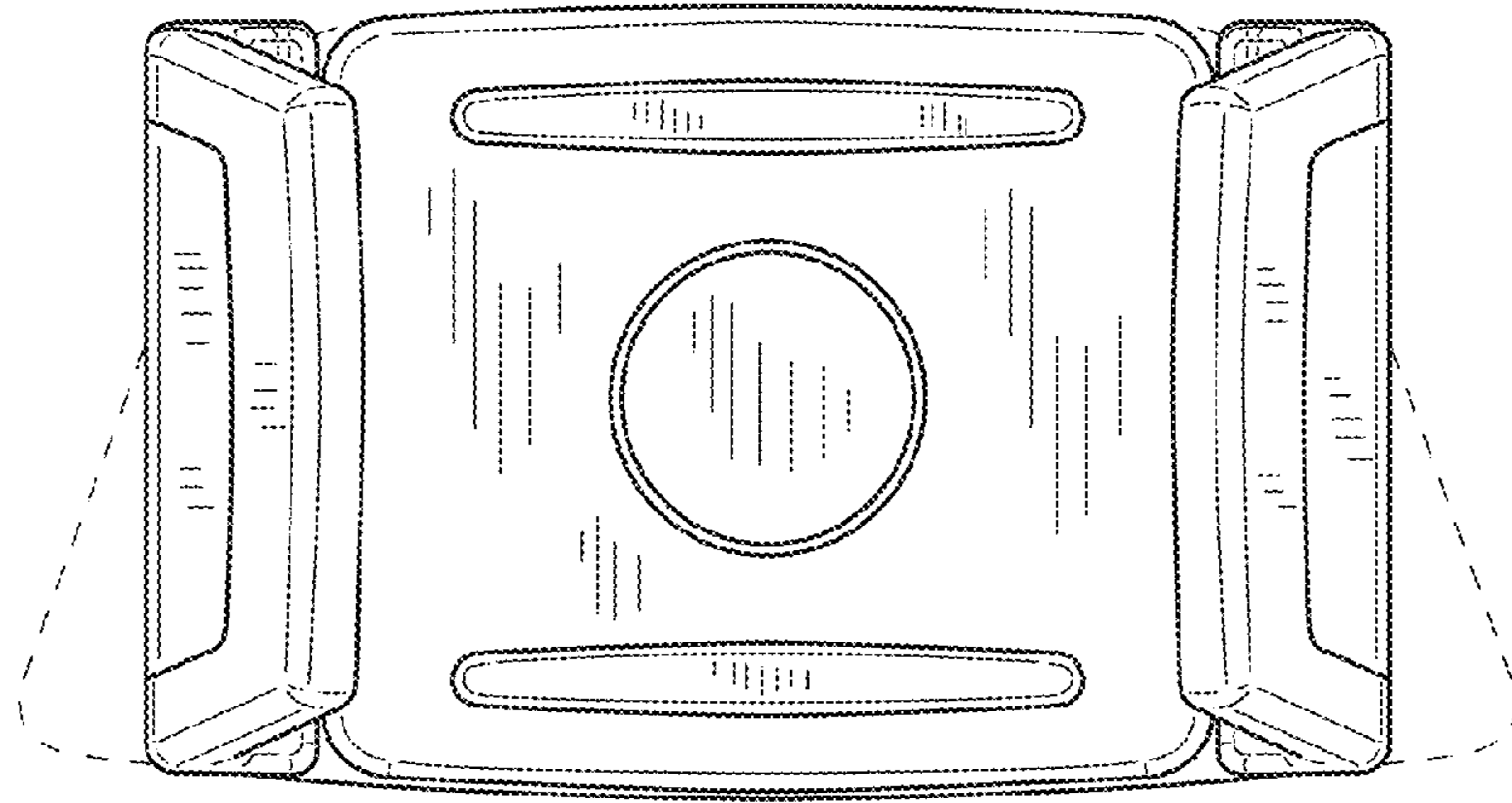


FIG. 2

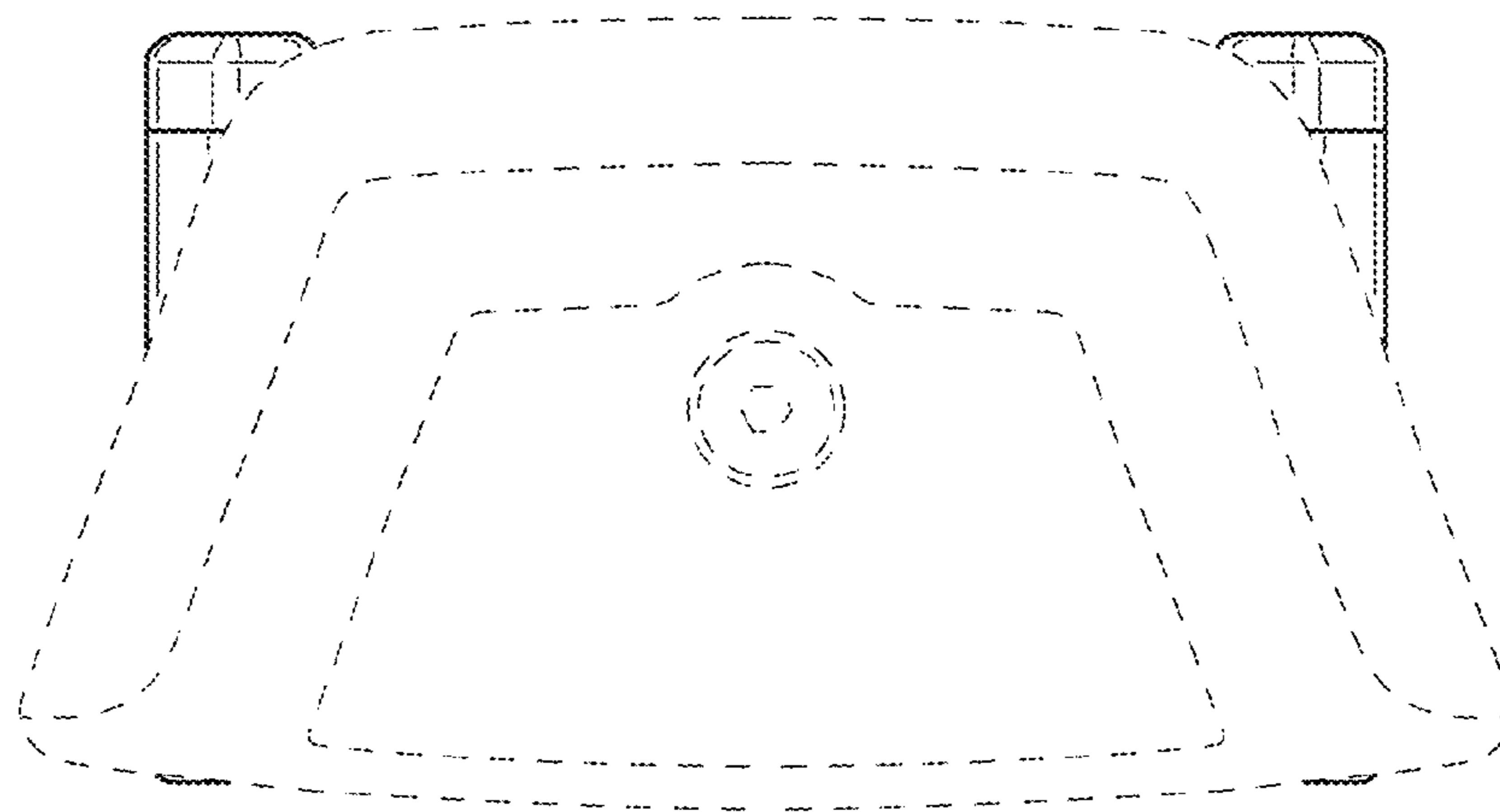


FIG. 3

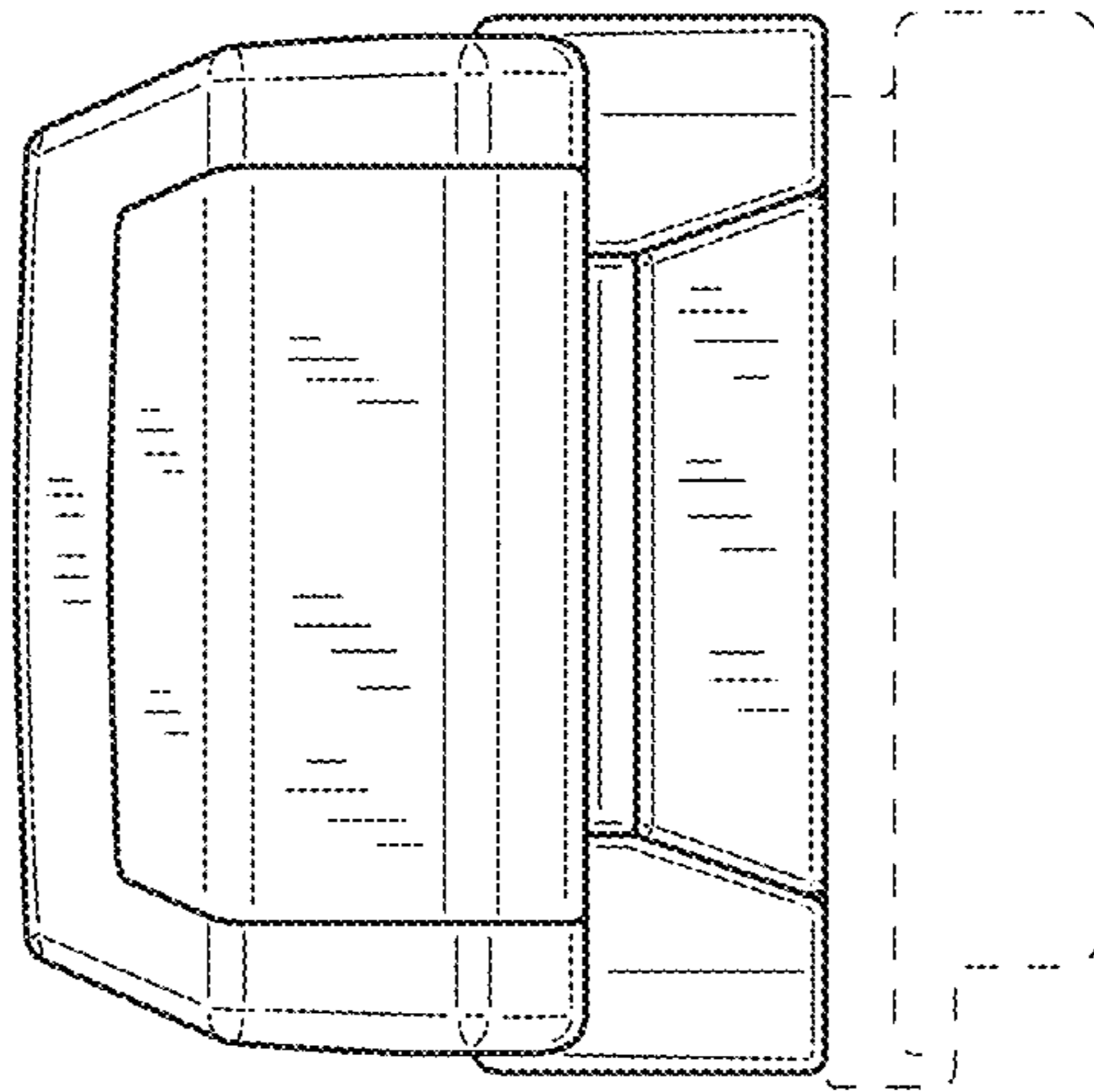


FIG. 4

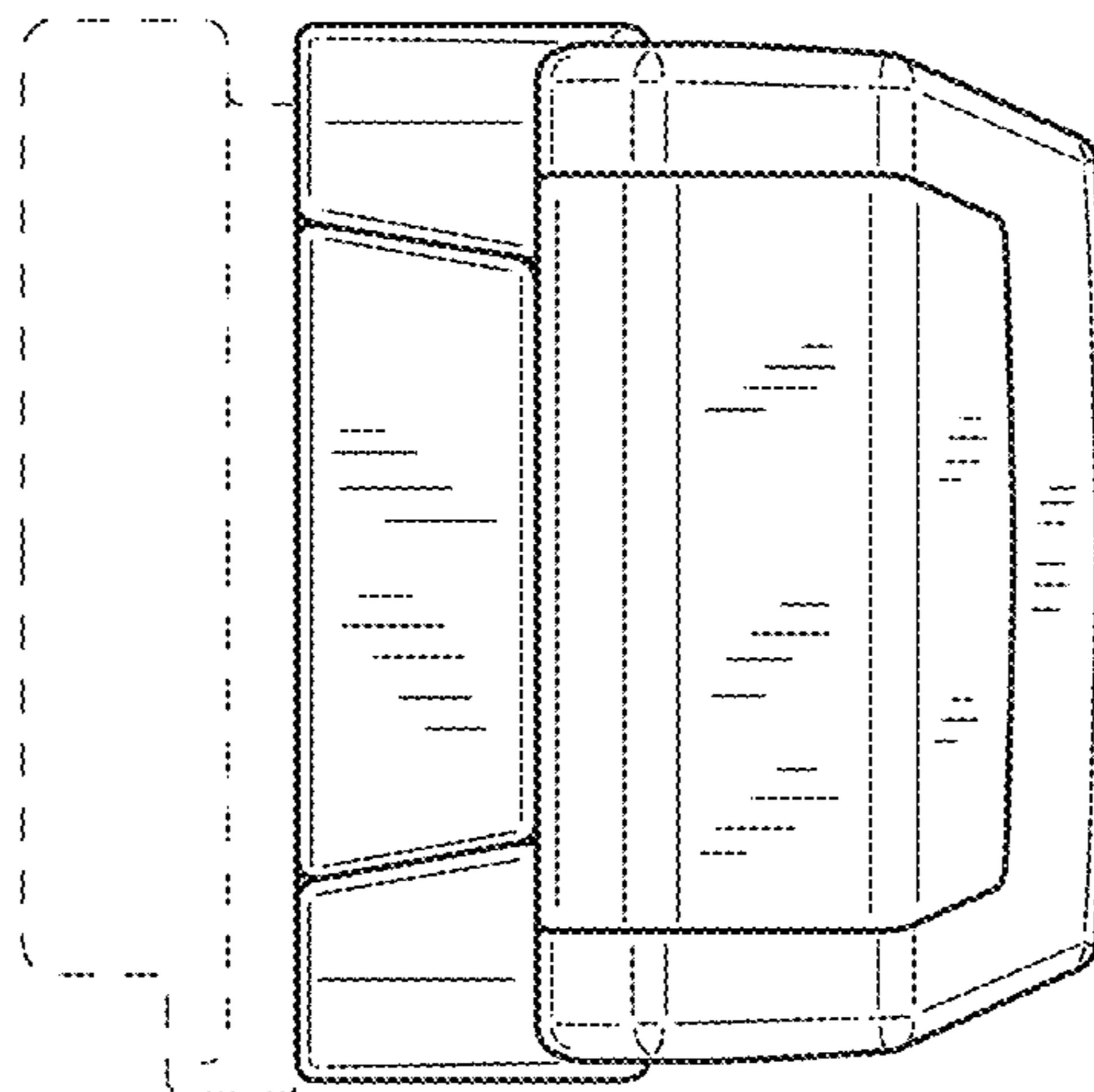


FIG. 5

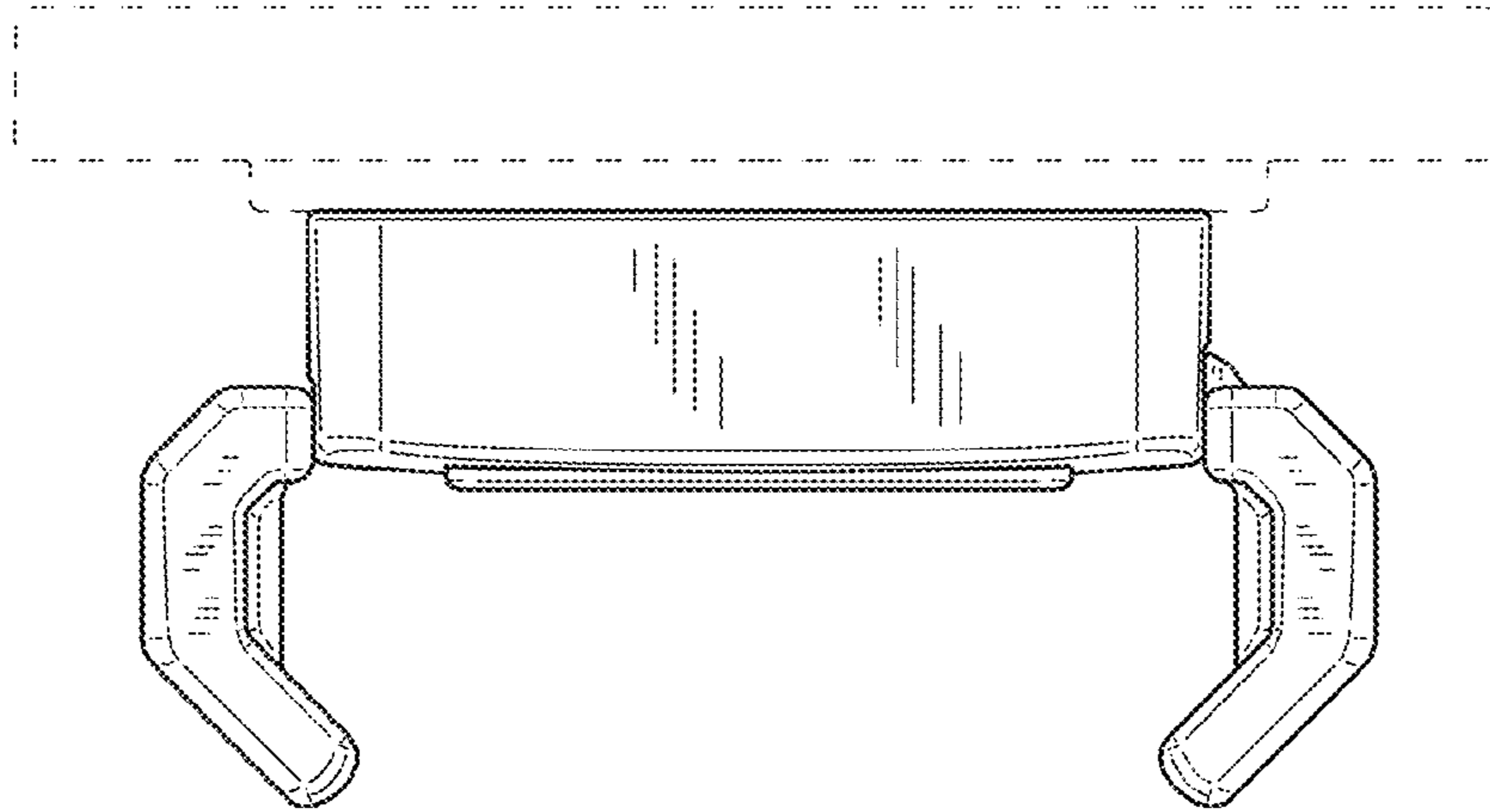


FIG. 6

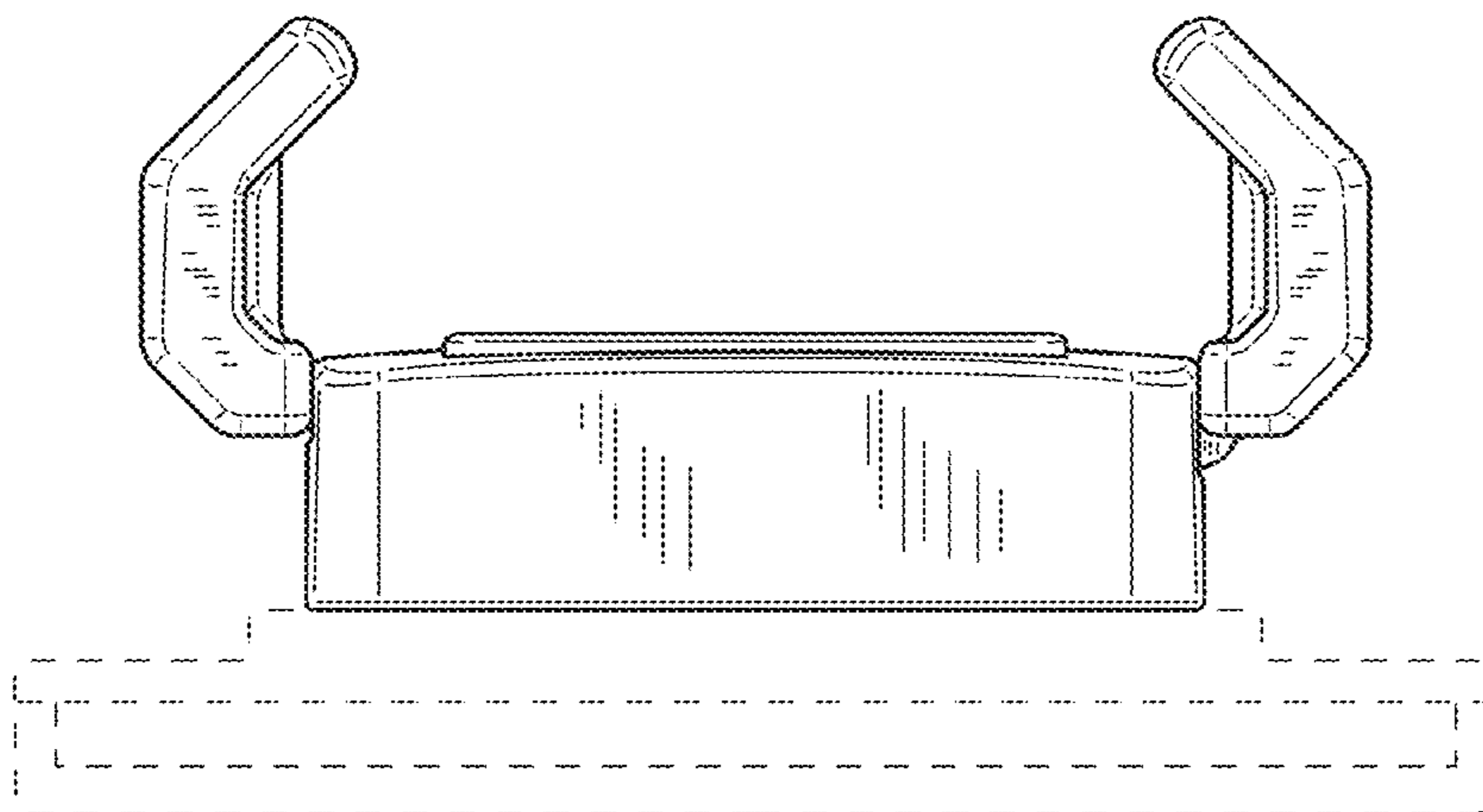


FIG. 7