



US00D712391S

(12) **United States Design Patent**
Kim et al.

(10) **Patent No.:** **US D712,391 S**

(45) **Date of Patent:** **** Sep. 2, 2014**

(54) **ELECTRONIC DEVICE SHELL**

(71) Applicant: **BlackBerry Limited**, Waterloo (CA)

(72) Inventors: **Younghwan Kim**, Waterloo (CA);
Leonardo Aldana, Waterloo (CA);
Michelle Hui Jun Zheng, Mississauga (CA)

(73) Assignee: **BlackBerry Limited**, Waterloo, Ontario (CA)

(**) Term: **14 Years**

(21) Appl. No.: **29/461,072**

(22) Filed: **Jul. 18, 2013**

(51) **LOC (10) Cl.** **14-03**

(52) **U.S. Cl.**
USPC **D14/250**

(58) **Field of Classification Search**

CPC B29C 45/1676; B29C 45/14819;
B29C 2045/167; B29C 2045/14924; B29L
2031/3437; B29L 2031/3475; G06F 1/1628;
H04M 1/0264; H04M 1/0265; H04M 1/0266;
H04M 1/0283
USPC D14/250–253, 440, 203.3–203.7, 217,
D14/496, 248, 238.1, 240, 447, 341–347,
D14/444; D13/103, 107–108, 119; D3/201,
D3/218, 247, 269, 273, 301, 303;
248/176.3, 188.8, 309.1, 371, 668;
361/220, 379.01, 679.01, 679.02,
361/679.09, 679.21, 679.25, 679.3, 679.4,
361/679.56, 679.57, 759, 807, 816;
379/433.11, 451, 455; 455/556.1, 557,
455/566, 575.1, 575.2, 575.8; 206/37, 45.2,
206/305, 320, 216; 320/108, 115; 429/96;
220/4.02; 150/165; 174/50; 235/41,
235/375, 462; 312/223.1; 396/535

See application file for complete search history.

(56) **References Cited**

U.S. PATENT DOCUMENTS

D260,568 S * 9/1981 Cherry D3/314
D438,536 S * 3/2001 Willison et al. D14/253
D527,017 S * 8/2006 Kim D14/203.6
D600,907 S * 9/2009 Boyd et al. D3/218
D620,931 S * 8/2010 Opman D14/250
D625,303 S * 10/2010 Kim D14/250
8,016,107 B2 * 9/2011 Emsky 206/320
D649,539 S * 11/2011 Hong D14/250
D670,279 S * 11/2012 Veltz et al. D14/250
D679,694 S * 4/2013 Fahrendorff et al. D14/250
D682,817 S * 5/2013 Murchison et al. D14/250
D684,567 S * 6/2013 Murchison et al. D14/250

(Continued)

OTHER PUBLICATIONS

Review: 3 BB Z30 Transform Hardshell Cases+2 BB Z30 Leather pouches, published on Dec. 14, 2013, <URL:http://forums.crackberry.com/buy-sell-trade-sold-archived-f330/3-bb-z30-transform-hardshell-cases-2-bb-z30-leather-pouches-884308/>, retrieved from internet on May 3, 2014.*

Primary Examiner — Carla Jobe Wright

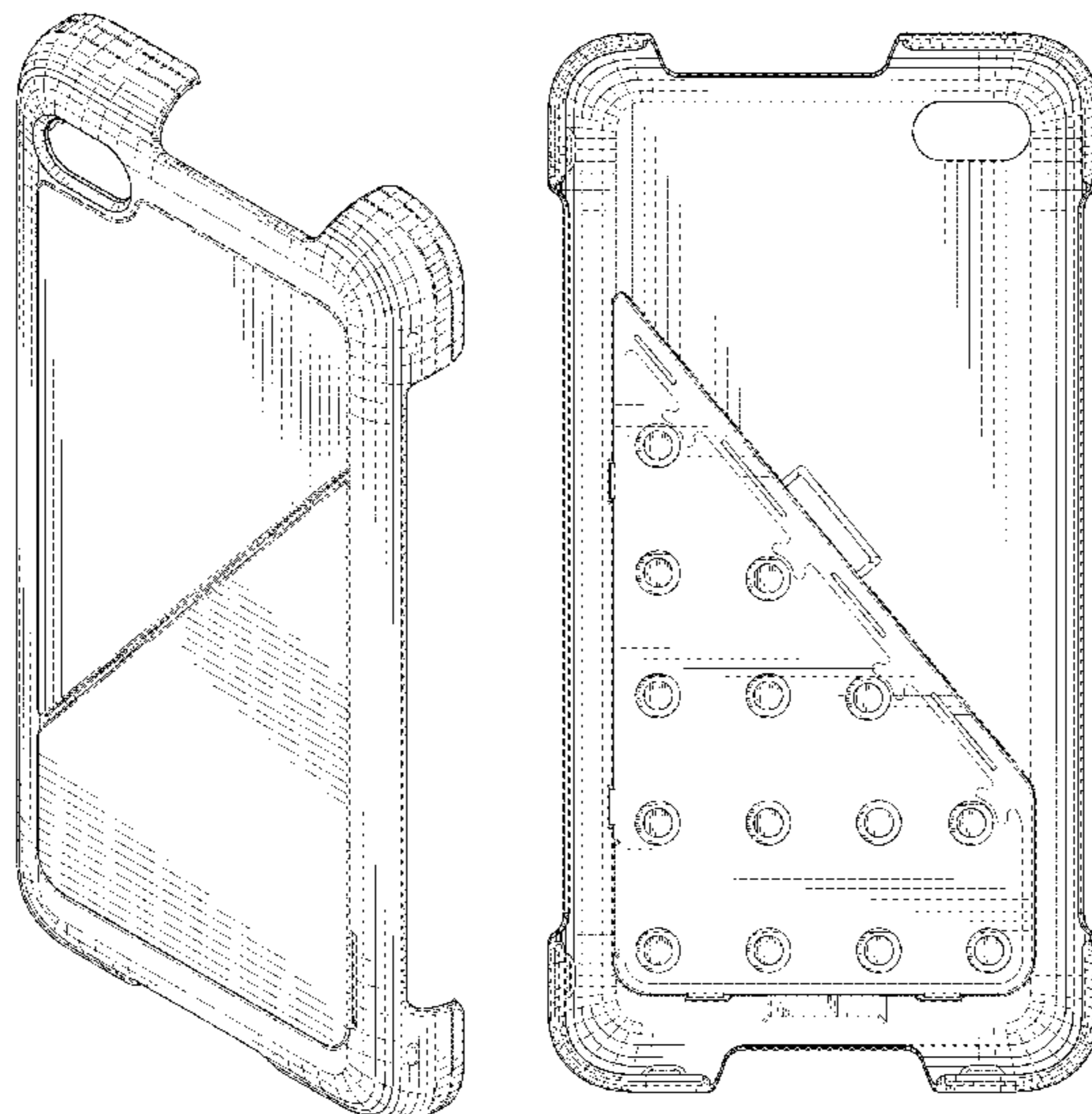
(57) **CLAIM**

The ornamental design for an electronic device shell, as shown and described.

DESCRIPTION

FIG. 1 is a front perspective view of an electronic device shell showing the Applicant's new design;
FIG. 2 is another front perspective view thereof;
FIG. 3 is a rear perspective view thereof;
FIG. 4 is a front elevation view thereof;
FIG. 5 is a rear elevation view thereof;
FIG. 6 is a left side elevation view thereof;
FIG. 7 is a right side elevation view thereof;
FIG. 8 is a top plan view thereof; and,
FIG. 9 is a bottom plan view thereof.

1 Claim, 7 Drawing Sheets



(56)

References Cited

U.S. PATENT DOCUMENTS

D685,364 S * 7/2013 Murchison et al. D14/250
D686,199 S * 7/2013 Fahrendorff et al. D14/250
8,477,931 B2 * 7/2013 Thompson et al. 379/451
D696,656 S * 12/2013 Murchison et al. D14/250

D697,503 S * 1/2014 Melanson et al. D14/250
D702,672 S * 4/2014 Mather D14/250
2007/0135184 A1 * 6/2007 Pletikosa 455/575.1
2010/0059649 A1 * 3/2010 Buxton 248/371
2012/0006950 A1 * 1/2012 Vandiver 248/176.3
2012/0145843 A1 * 6/2012 Ho et al. 248/176.3
2013/0098788 A1 * 4/2013 McCarville et al. 206/320

* cited by examiner

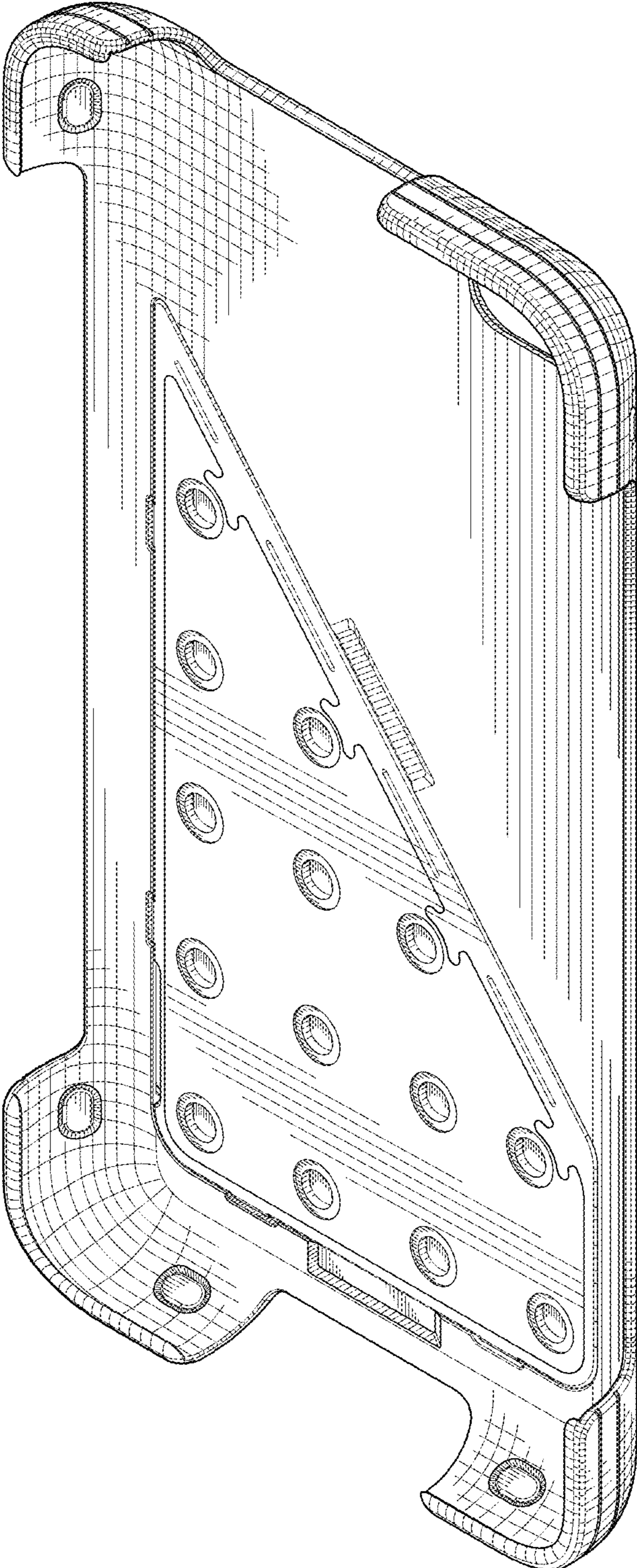


FIG.1

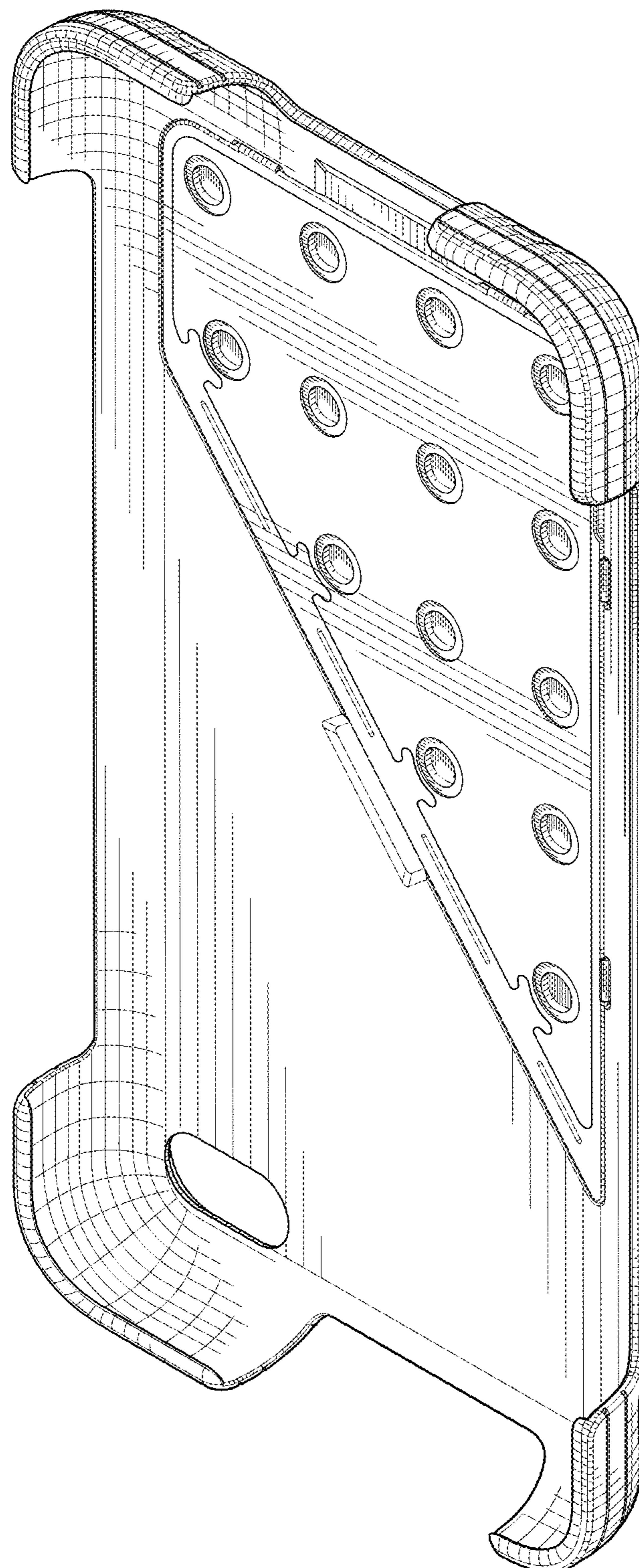


FIG.2

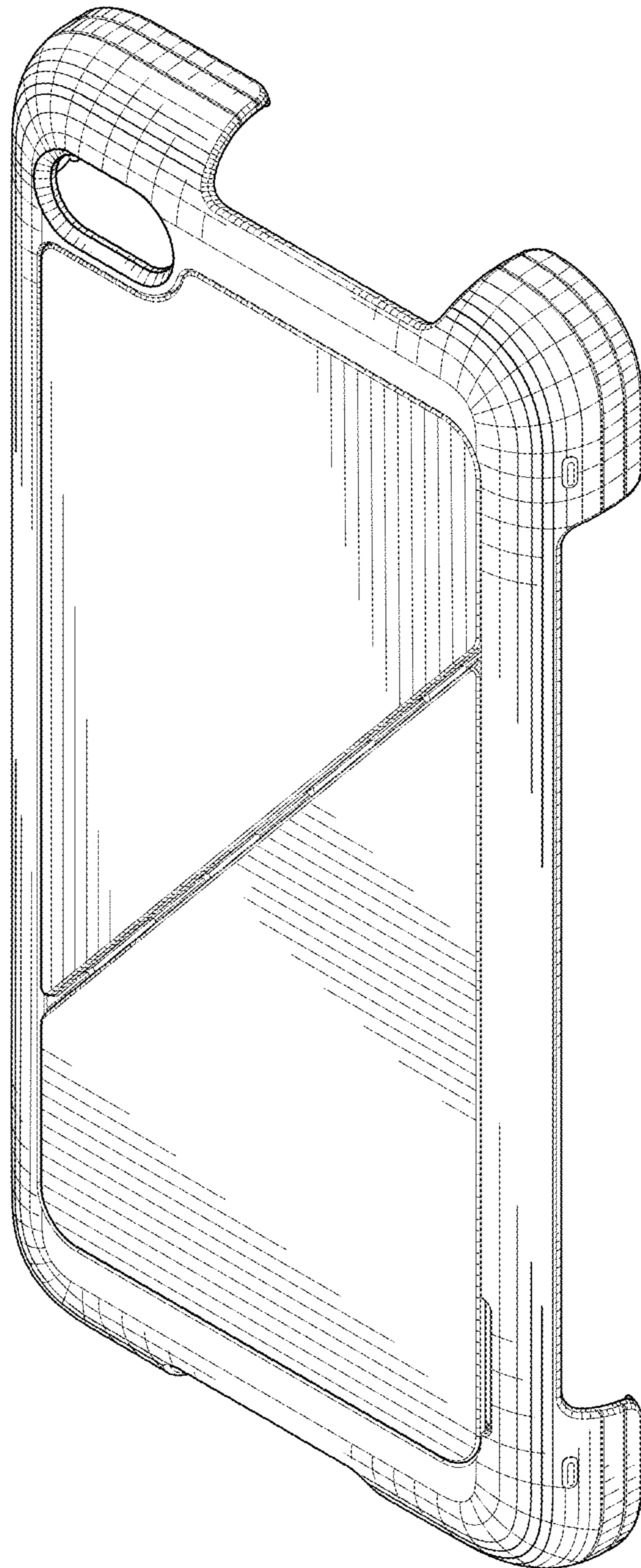


FIG.3

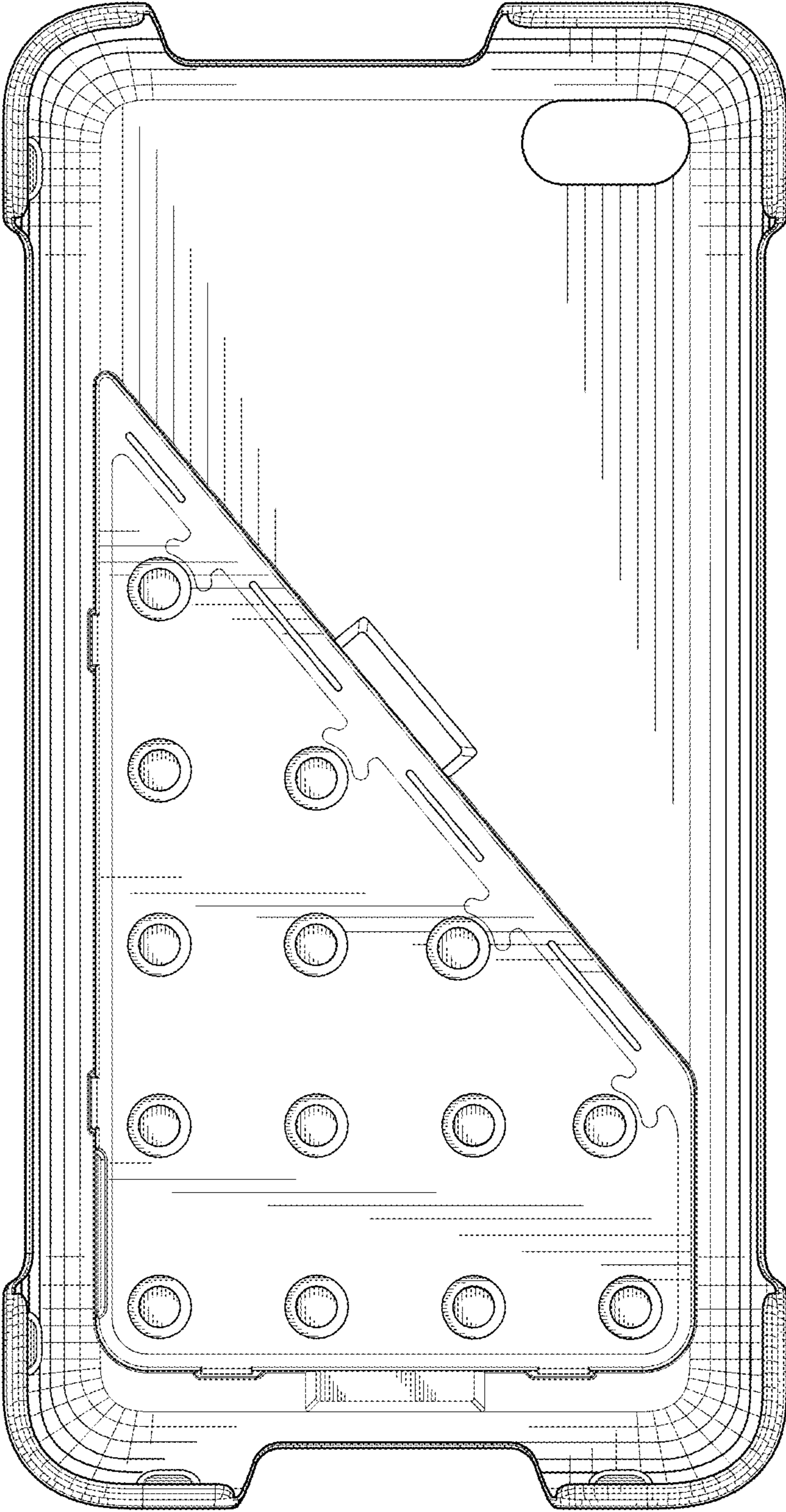


FIG.4

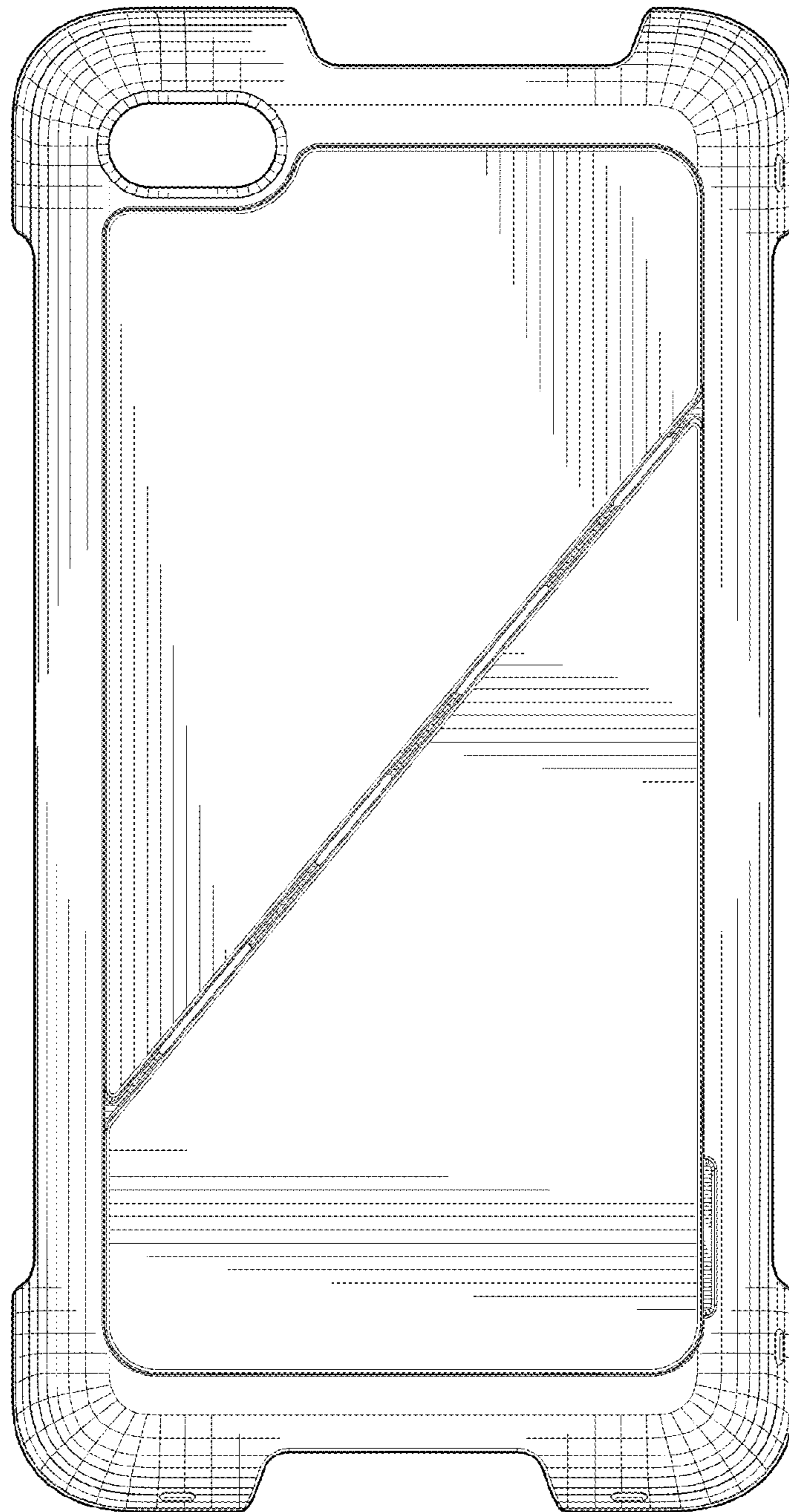


FIG.5

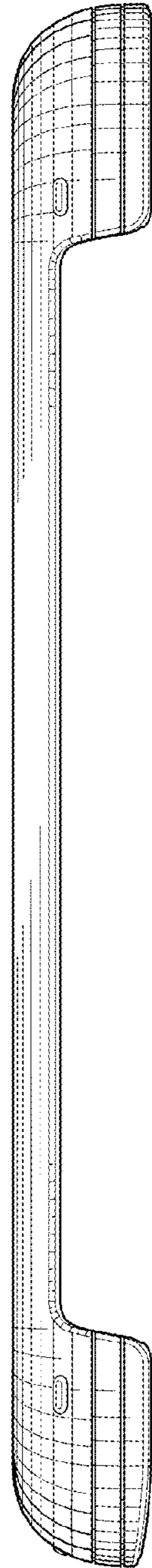


FIG. 6

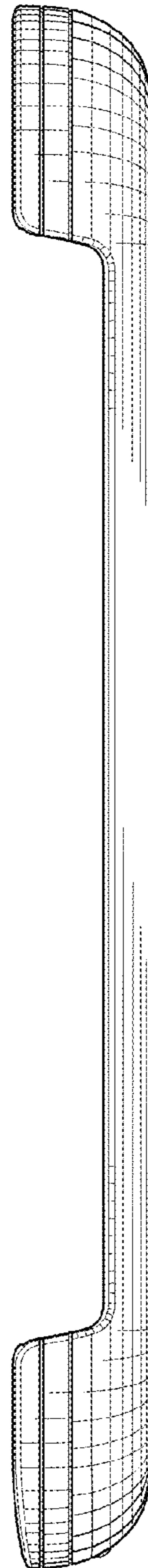


FIG. 7

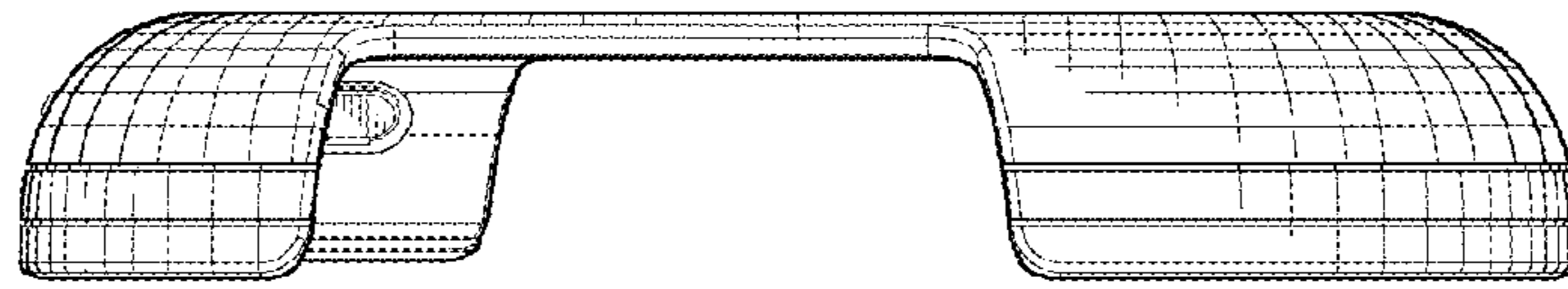


FIG. 8

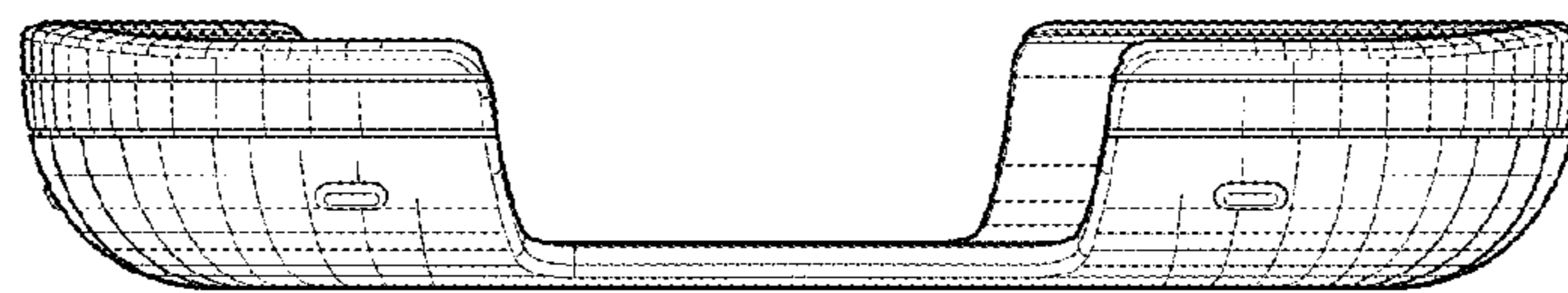


FIG. 9