



US00D712390S

(12) **United States Design Patent**
Namminga

(10) **Patent No.:** **US D712,390 S**
(45) **Date of Patent:** **** Sep. 2, 2014**

(54) **CLOSED-BACKED MOBILE DEVICE CASE**

(71) Applicant: **Mophie, Inc.**, Tustin, CA (US)

(72) Inventor: **Andrew Namminga**, Costa Mesa, CA (US)

(73) Assignee: **Mophie, Inc.**, Tustin, CA (US)

(**) Term: **14 Years**

(21) Appl. No.: **29/441,597**

(22) Filed: **Jan. 7, 2013**

(51) **LOC (10) Cl.** **14-03**

(52) **U.S. Cl.**
USPC **D14/250**

(58) **Field of Classification Search**
USPC D14/138 AD, 138 C, 138 G, 203.7, 230, D14/238.1, 240, 247, 248, 250, 253, 341, D14/345, 346, 439, 440, 447, 496; D13/103, 107, 119; D3/201, 218, 269, D3/273, 293, 294, 905; 206/320; 455/557, 455/575.1, 575.4, 575.8; D24/158; 396/27; D16/204, 218; D7/629

See application file for complete search history.

(56) **References Cited**

U.S. PATENT DOCUMENTS

3,019,715 A	2/1962	Arnold et al.	
D265,829 S	8/1982	Shimoda	
D419,296 S	1/2000	Shinano	
D429,775 S *	8/2000	Adelman D21/478
6,138,826 A	10/2000	Kanamori et al.	
D438,880 S	3/2001	Katayama	
D439,590 S	3/2001	Katayama	
D453,177 S	1/2002	Uehara	
6,434,330 B1	8/2002	Uchiyama	
D464,196 S	10/2002	Parker	
D479,257 S	9/2003	Smith et al.	

7,106,959 B2	9/2006	Sato	
7,158,376 B2	1/2007	Richardson et al.	
D537,858 S	3/2007	Griffin et al.	
7,194,202 B2	3/2007	Funahashi et al.	
7,230,823 B2	6/2007	Richardson et al.	
D551,846 S *	10/2007	Ko et al. D3/201
D557,897 S	12/2007	Richardson et al.	
D566,484 S *	4/2008	George D7/629
7,609,512 B2	10/2009	Richardson et al.	
7,653,292 B2	1/2010	Yamaguchi et al.	
7,679,674 B2	3/2010	Nishizawa	

(Continued)

OTHER PUBLICATIONS

U.S. Appl. No. 29/436,918, filed Nov. 9, 2012, To et al.

(Continued)

Primary Examiner — Thomas Johannes

Assistant Examiner — Chelsea Sealey

(74) *Attorney, Agent, or Firm* — Knobbe Martens Olson & Bear LLP

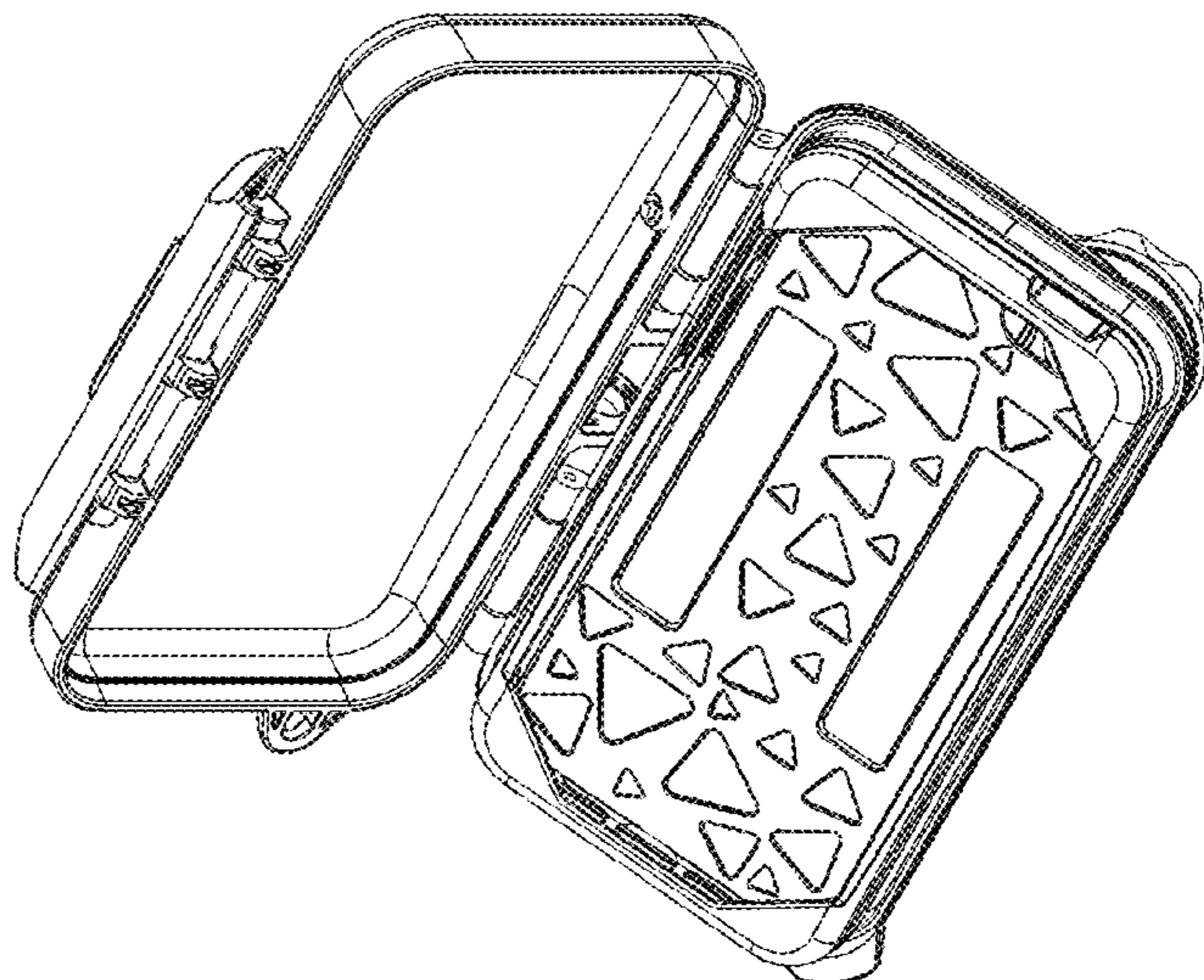
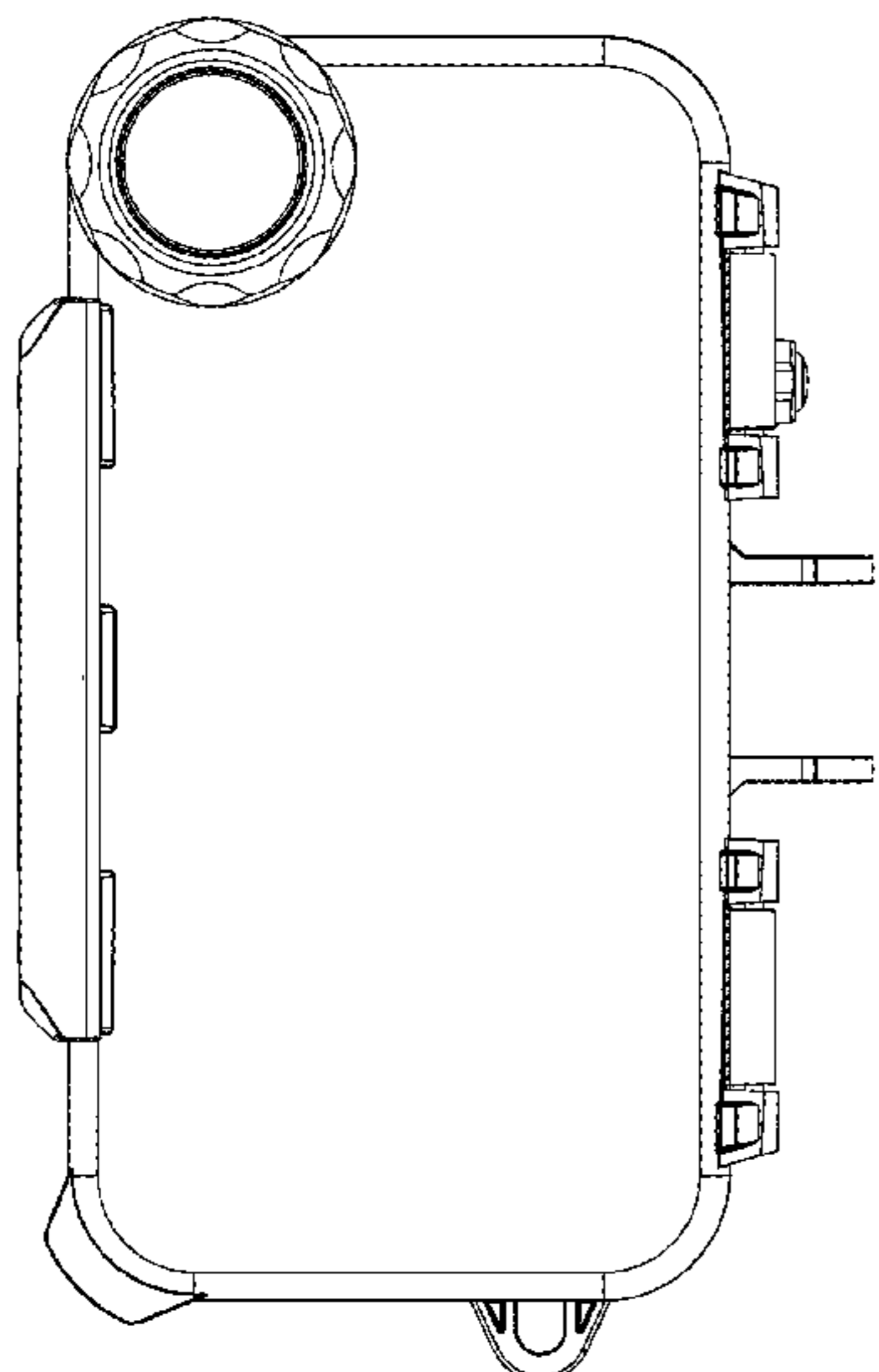
(57) **CLAIM**

The ornamental design for a closed-backed mobile device case, as shown and described.

DESCRIPTION

FIG. 1 is a front view of a closed-backed mobile device case in the closed position, showing my new design; FIG. 2 is a rear view thereof; FIG. 3 is a top view thereof; FIG. 4 is a bottom view thereof; FIG. 5 is a left view thereof; FIG. 6 is a right view thereof; FIG. 7 is a front view of FIG. 1, with the latch unclamped; FIG. 8 is a right view of FIG. 7 thereof; FIG. 9 is an external view of FIG. 7 in the open position; and, FIG. 10 is an internal view of FIG. 7 in the open position.

1 Claim, 10 Drawing Sheets



(56)

References Cited

U.S. PATENT DOCUMENTS

D616,479 S 5/2010 Ganahl, Jr.
 D617,987 S 6/2010 Wang
 D621,432 S 8/2010 Yim
 7,801,425 B2 9/2010 Fantone et al.
 7,929,847 B2 4/2011 Yim
 D637,588 S 5/2011 Richardson et al.
 D637,589 S 5/2011 Willes et al.
 D645,031 S * 9/2011 Richardson et al. D14/250
 D645,663 S 9/2011 Henley et al.
 8,014,656 B2 9/2011 Woodman
 D646,313 S 10/2011 Woodman
 D647,303 S 10/2011 Mish et al.
 D647,554 S 10/2011 Yim
 8,035,736 B2 10/2011 Son
 D651,201 S 12/2011 Fathollahi
 D657,354 S 4/2012 Kim
 D657,808 S 4/2012 Woodman
 8,150,248 B1 4/2012 Woodman
 D662,922 S 7/2012 Akana et al.
 8,244,118 B2 8/2012 Stansbury
 D668,873 S * 10/2012 Robinson et al. D3/293
 D668,874 S 10/2012 Robinson et al.
 D669,587 S * 10/2012 Mayer D24/158
 D679,908 S * 4/2013 Hurt et al. D3/294

2002/0085841 A1 7/2002 Matsuoto et al.
 2002/0094198 A1 7/2002 Uchiyama
 2002/0094199 A1 7/2002 Uchiyama
 2005/0115852 A1 6/2005 Funahashi et al.
 2005/0117897 A1 6/2005 Funahashi et al.
 2006/0008261 A1 1/2006 Watanabe et al.
 2006/0008262 A1 1/2006 Watanabe et al.
 2006/0110146 A1 5/2006 Ariga
 2006/0193615 A1 8/2006 Funahashi et al.
 2007/0071423 A1 3/2007 Fantone et al.
 2007/0110416 A1 5/2007 Yamaguchi et al.
 2009/0032420 A1 2/2009 Zenzai
 2009/0110380 A1 4/2009 Fantone et al.
 2009/0317069 A1 12/2009 Yim
 2010/0008028 A1 1/2010 Richardson et al.
 2011/0147245 A1 6/2011 Yim
 2013/0045775 A1 2/2013 Heywood
 2013/0184033 A1 7/2013 Willenborg

OTHER PUBLICATIONS

U.S. Appl. No. 29/436,927, filed Nov. 9, 2012, To et al.
 U.S. Appl. No. 29/441,595, filed Jan. 7, 2013, Namminga et al.
 U.S. Appl. No. 29/428,555, filed Jul. 31, 2012, To et al.
 U.S. Appl. No. 29/428,556, filed Jul. 31, 2012, To et al.
 U.S. Appl. No. 29/410,511, filed Jan. 9, 2012, To.

* cited by examiner

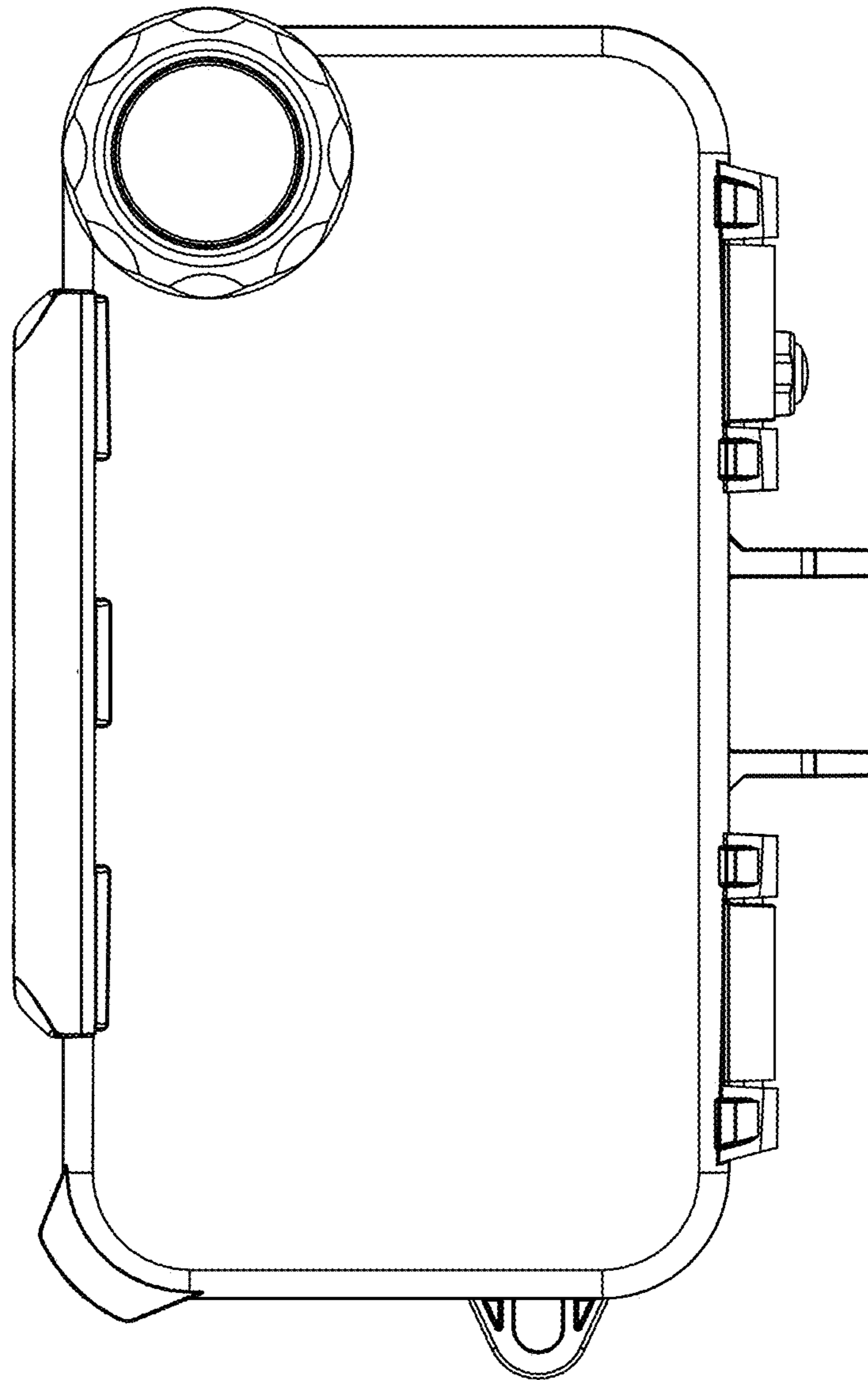


FIGURE 1

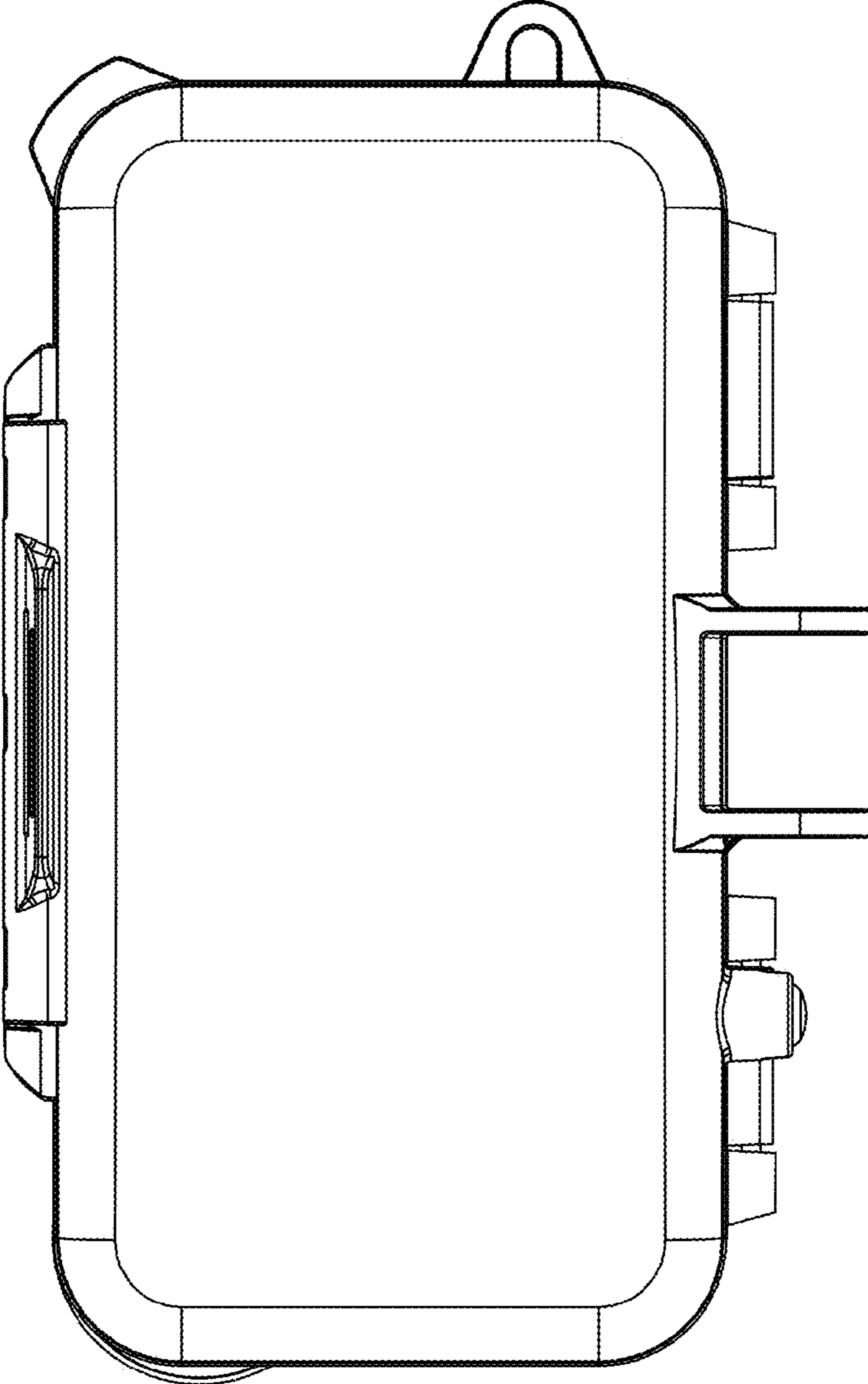


FIGURE 2

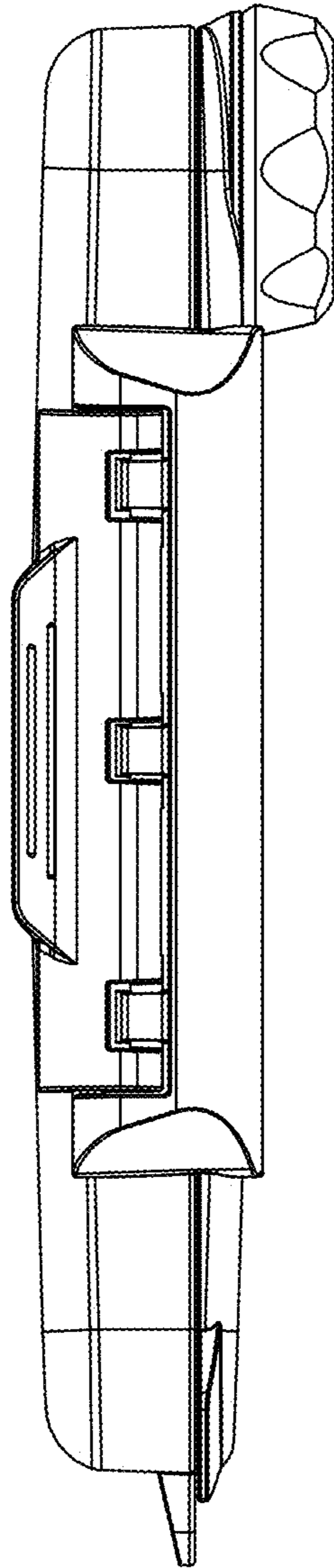


FIGURE 3

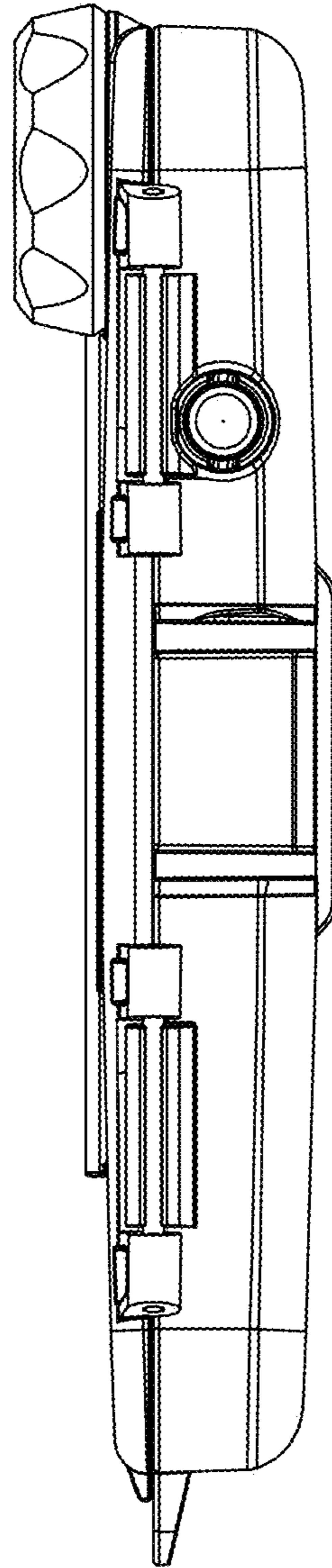


FIGURE 4

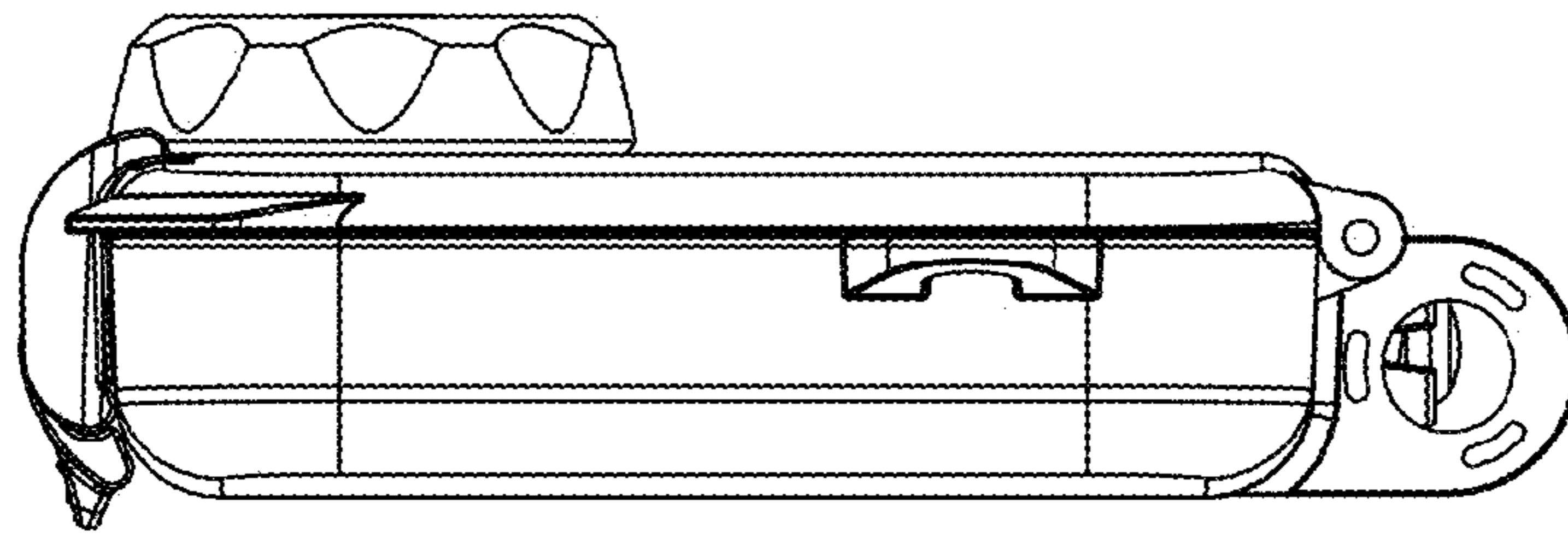


FIGURE 5

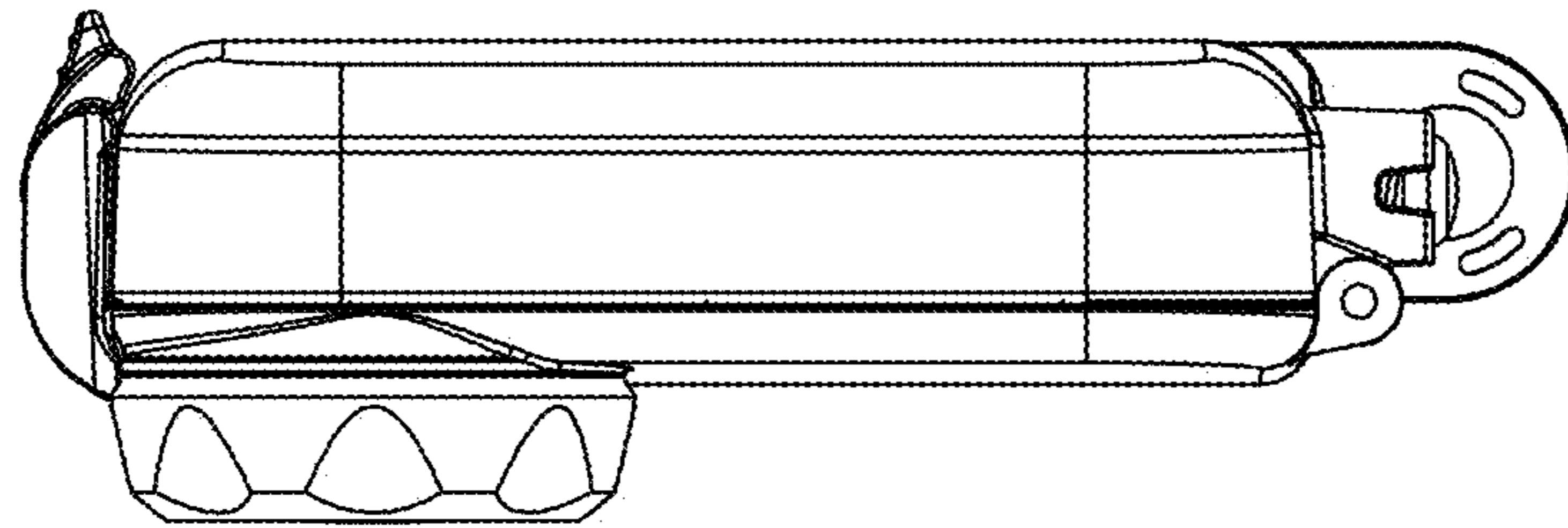


FIGURE 6

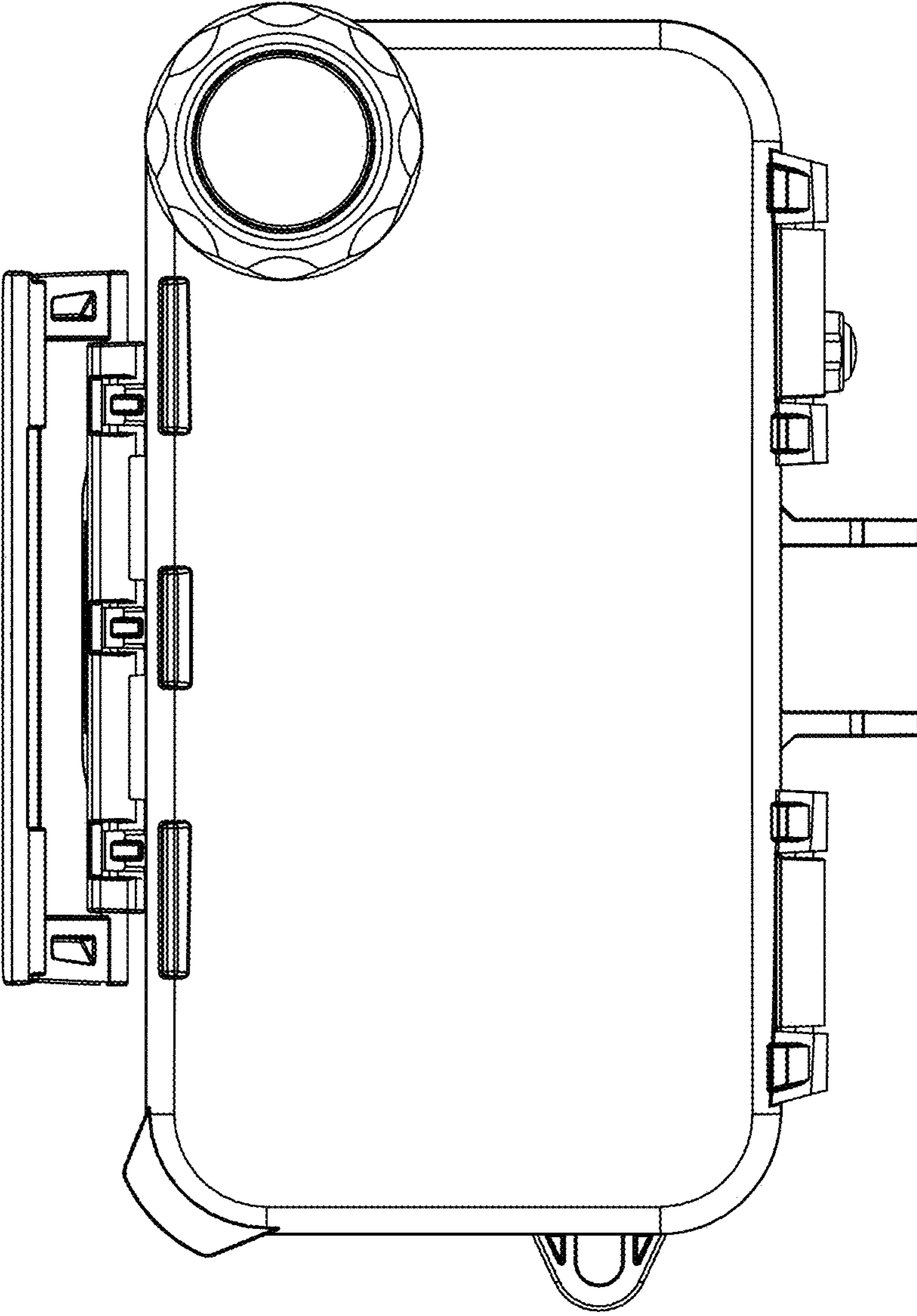


FIGURE 7

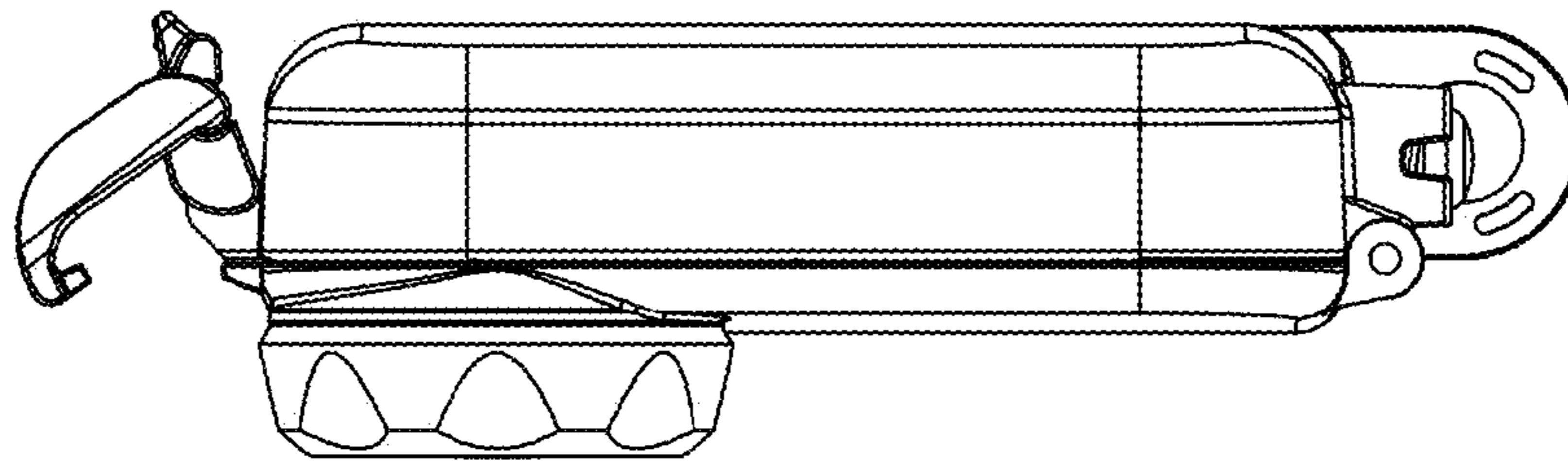


FIGURE 8

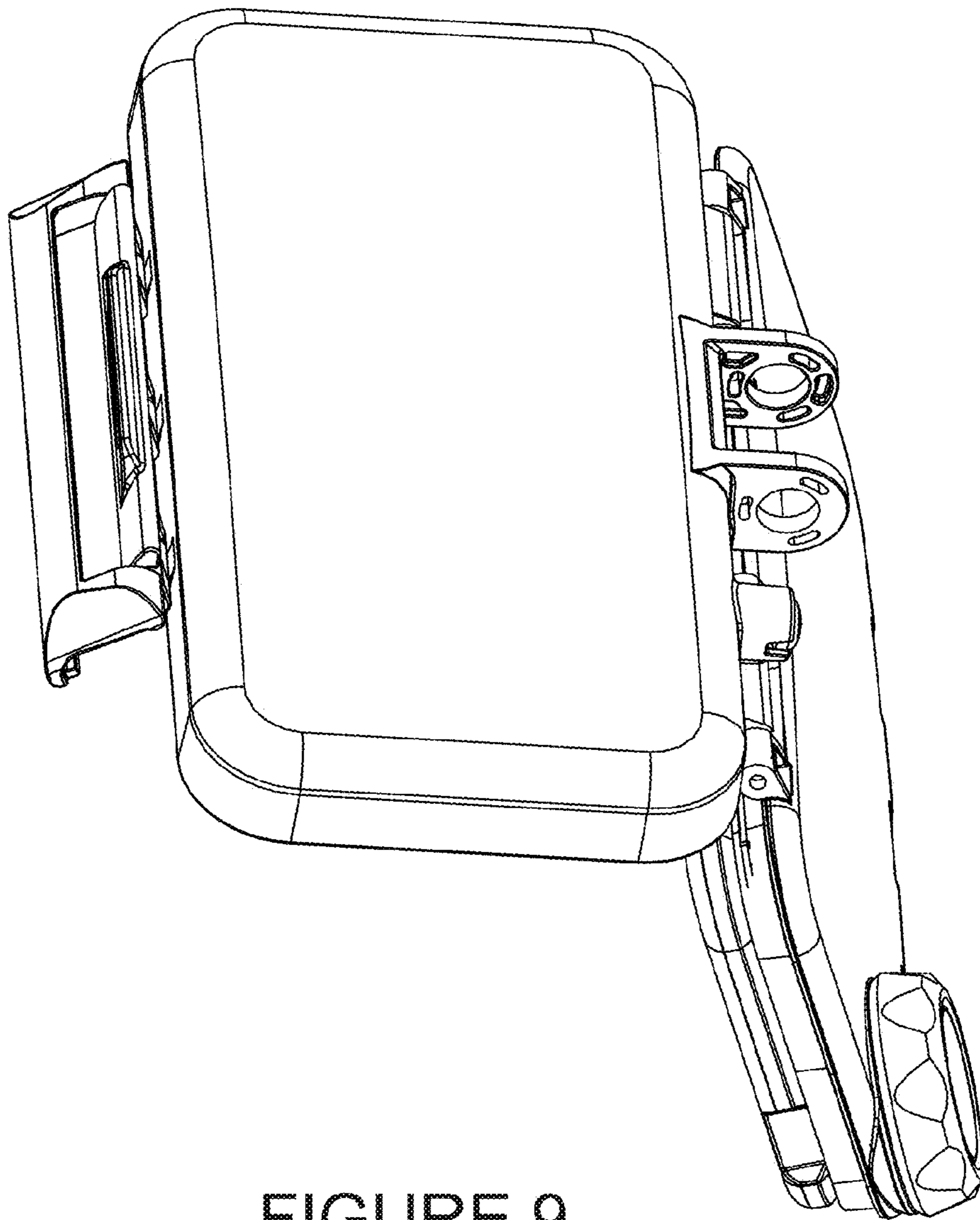


FIGURE 9

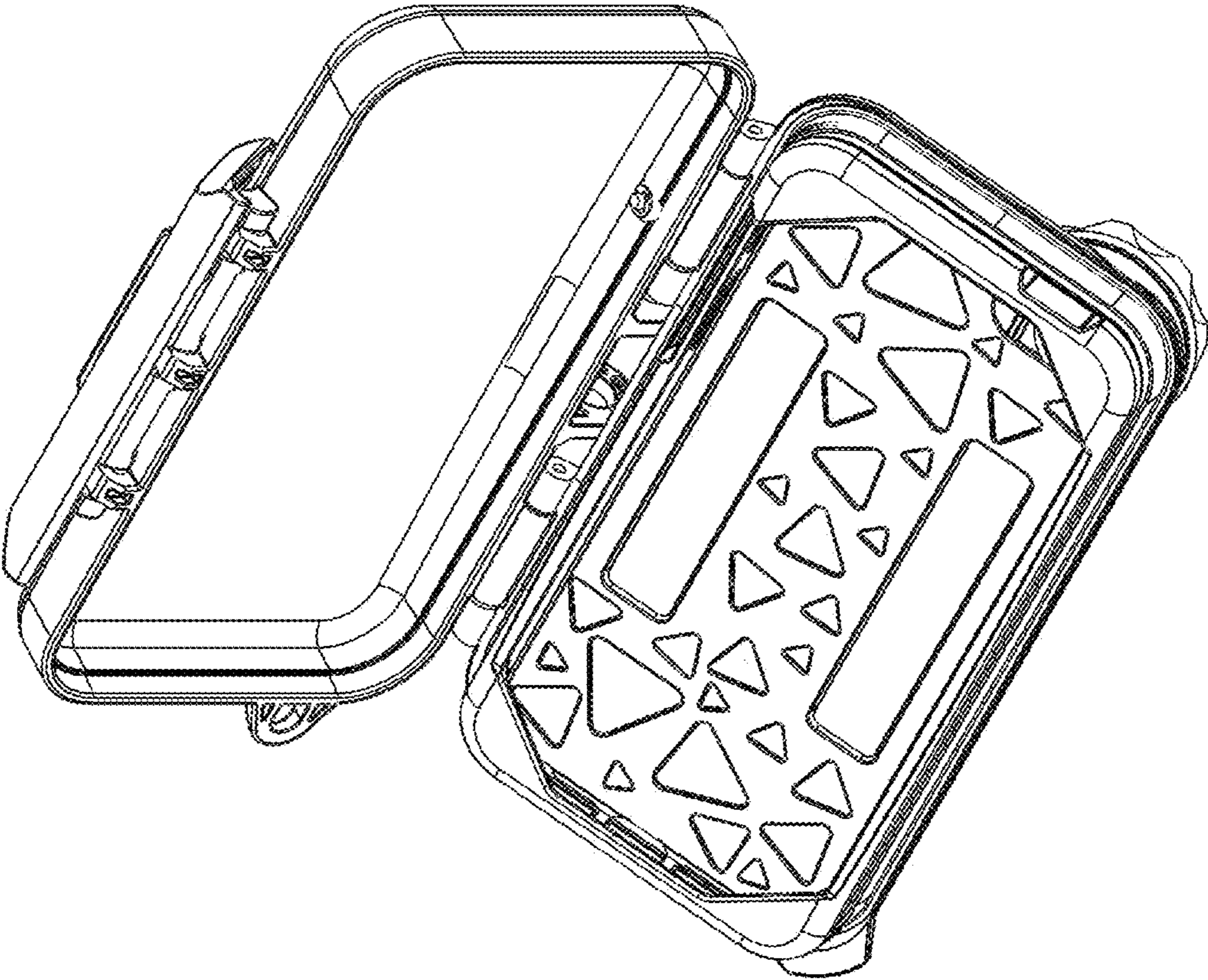


FIGURE 10