



US00D712387S

(12) **United States Design Patent**  
**Tompkin**

(10) **Patent No.:** **US D712,387 S**

(45) **Date of Patent:** **\*\* Sep. 2, 2014**

(54) **CASE**

(71) Applicant: **Superior Communications, Inc.**,  
Irwindale, CA (US)

(72) Inventor: **Pip Tompkin**, Los Angeles, CA (US)

(73) Assignee: **Superior Communications, Inc.**,  
Irwindale, CA (US)

(\*\*) Term: **14 Years**

(21) Appl. No.: **29/438,688**

(22) Filed: **Nov. 30, 2012**

(51) **LOC (10) Cl.** ..... **14-03**

(52) **U.S. Cl.**  
USPC ..... **D14/250**

(58) **Field of Classification Search**  
USPC ..... D14/250, 440, 238.1, 251-253, 203.7,  
D14/217, 496, 248, 240, 447, 341-347, 432,  
D14/434; D13/110, 118, 184, 199, 103,  
D13/107, 108, 119; 220/4.02; 320/107;  
224/191, 240, 241, 245, 682, 683;  
D3/201, 218, 247, 269, 273, 301, 303;  
361/679.56, 679.3, 679.25, 816;  
379/426, 433.11, 455; 455/575.1,  
455/575.8; 206/305, 320

See application file for complete search history.

(56) **References Cited**

U.S. PATENT DOCUMENTS

|              |      |         |                        |            |
|--------------|------|---------|------------------------|------------|
| 7,609,512    | B2 * | 10/2009 | Richardson et al. .... | 361/679.41 |
| 8,342,325    | B2 * | 1/2013  | Rayner .....           | 206/320    |
| D677,250     | S *  | 3/2013  | Takamoto .....         | D14/250    |
| D687,026     | S *  | 7/2013  | Ruvolo .....           | D14/250    |
| 2013/0063004 | A1 * | 3/2013  | Lai et al. ....        | 312/223.1  |

\* cited by examiner

*Primary Examiner* — Adir Aronovich

*Assistant Examiner* — Ethiene Salgado-Rodriguez

(74) *Attorney, Agent, or Firm* — Snell & Wilmer LLP

(57) **CLAIM**

I claim the ornamental design for a case, as shown and described.

**DESCRIPTION**

FIG. 1 is a front perspective view of a case showing my new design;

FIG. 2 is a front elevational view of the case;

FIG. 3 is a rear elevational view of the case;

FIG. 4 is a left side elevational view of the case;

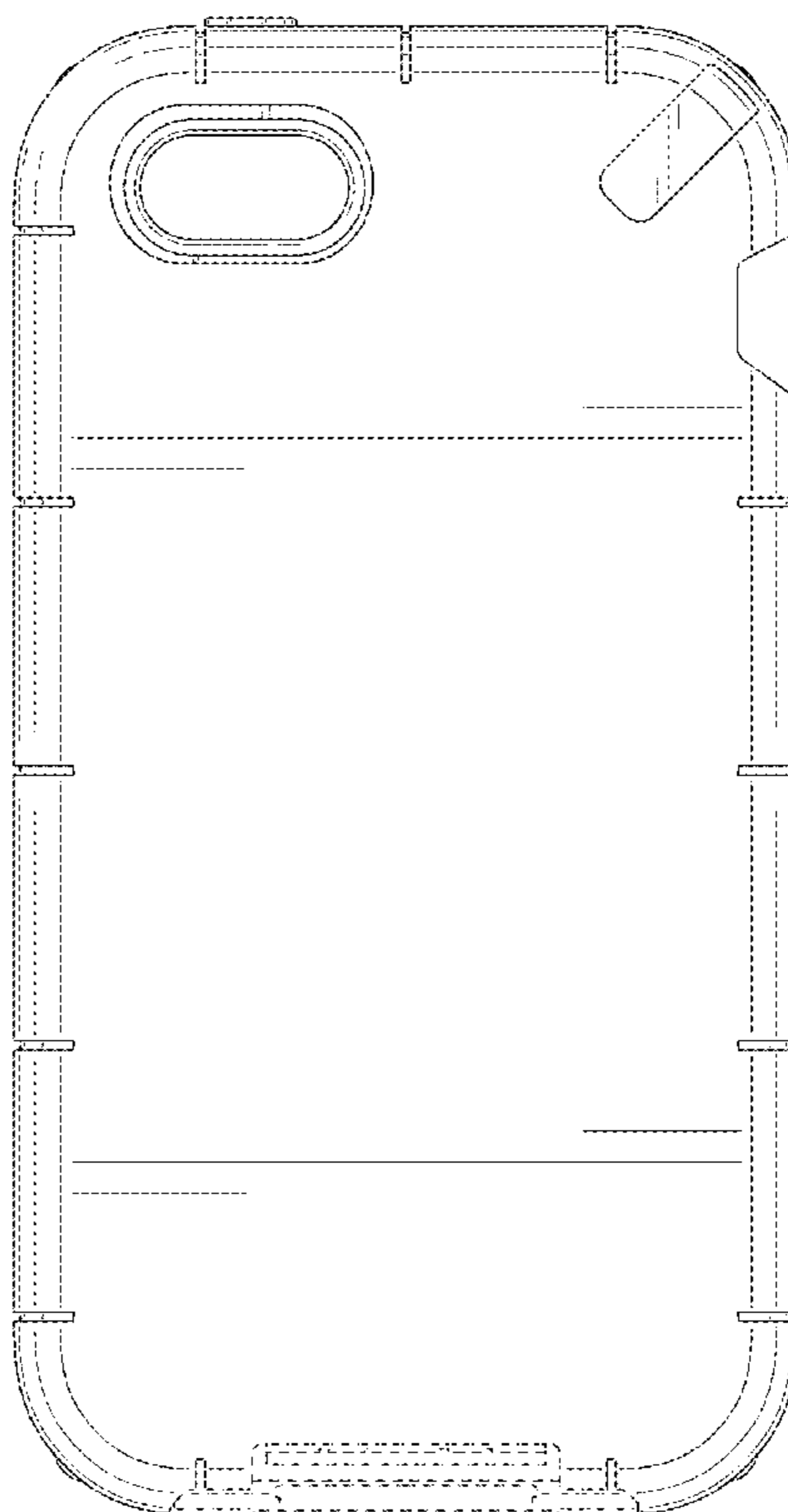
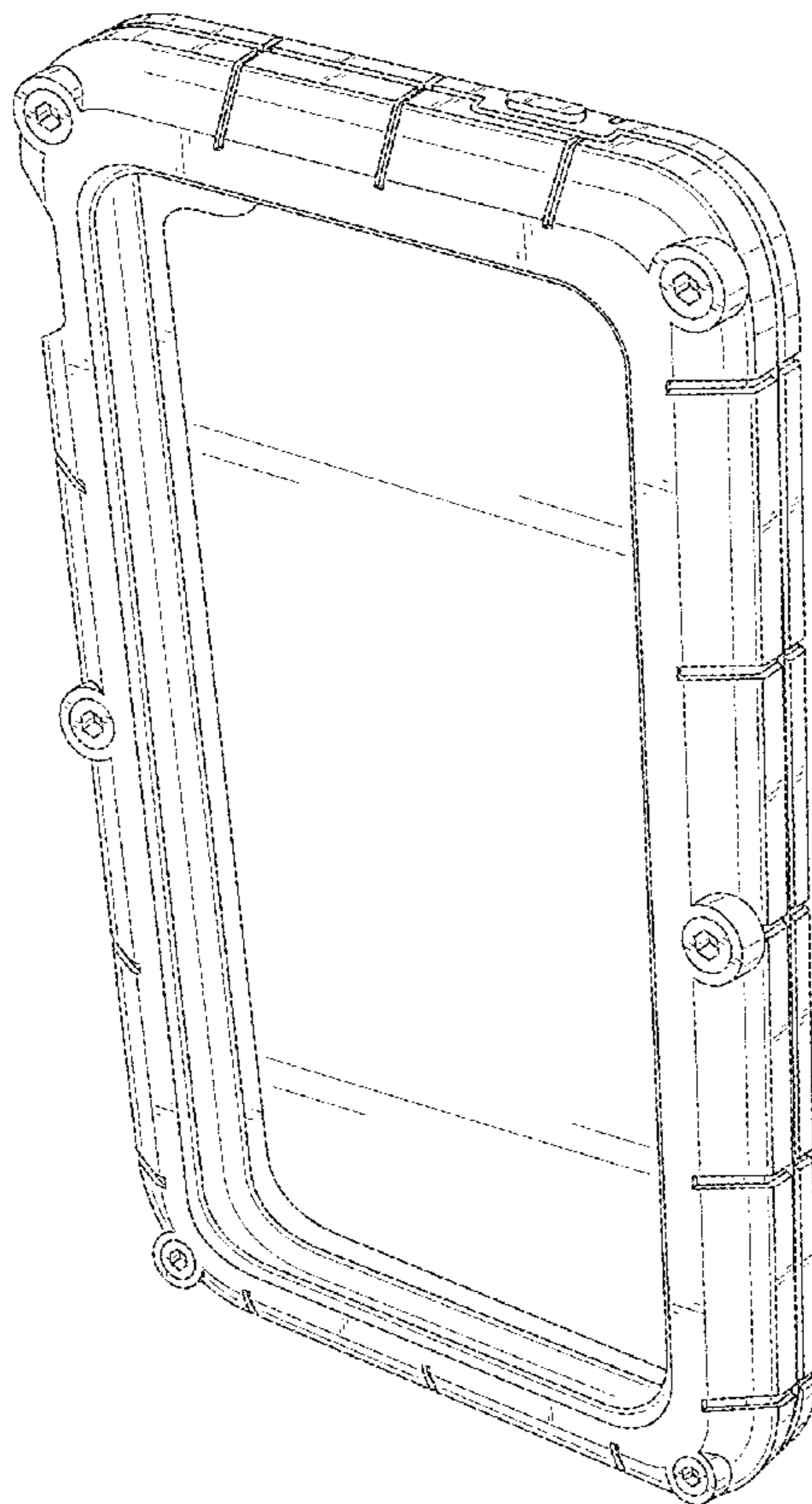
FIG. 5 is a right side elevational view of the case;

FIG. 6 is a top plan view of the case; and,

FIG. 7 is a bottom plan view of the case.

The broken lines in FIGS. 2-7 are shown for illustration only and form no part of the claimed design.

**1 Claim, 5 Drawing Sheets**



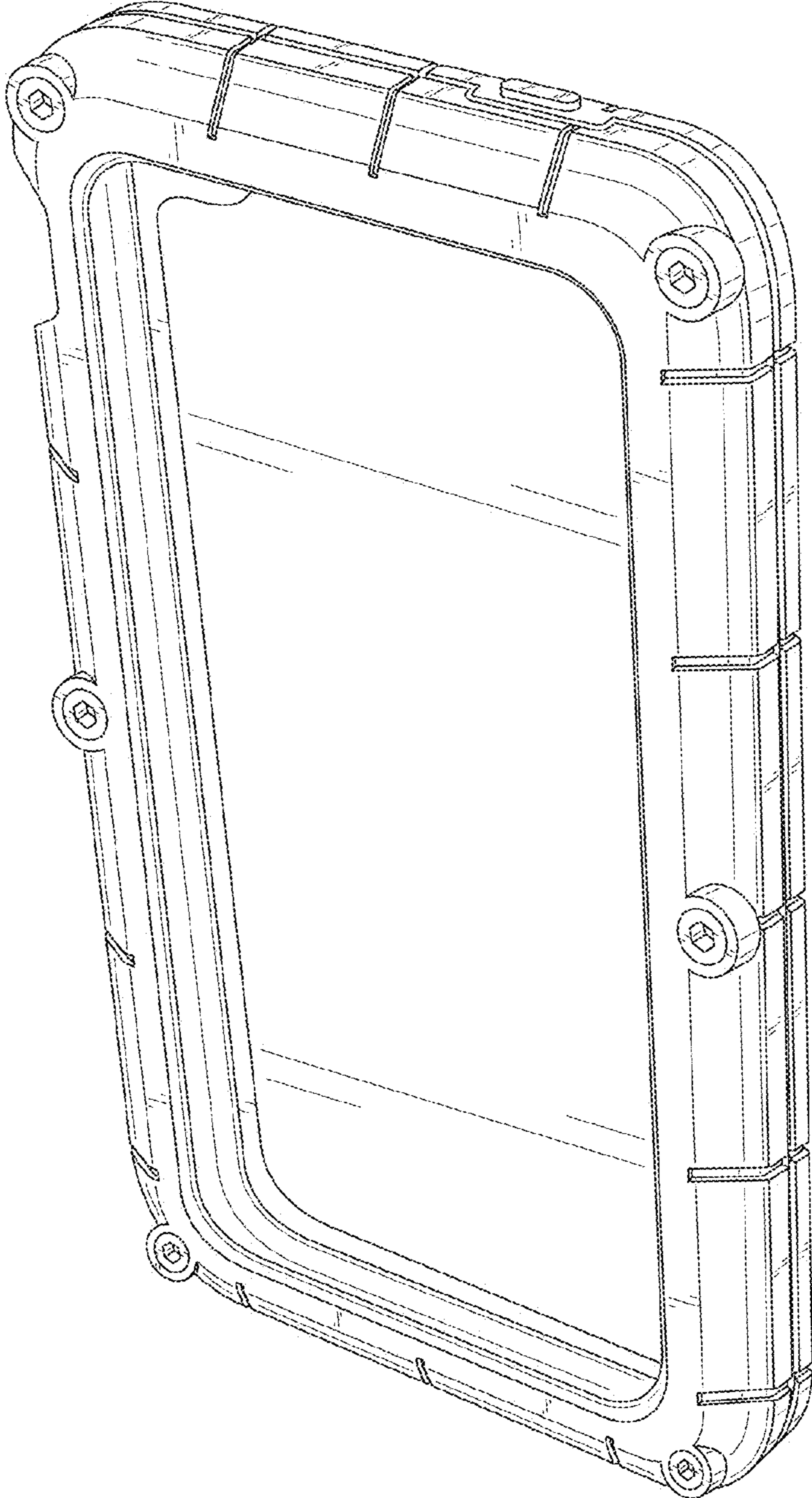


FIG. 1

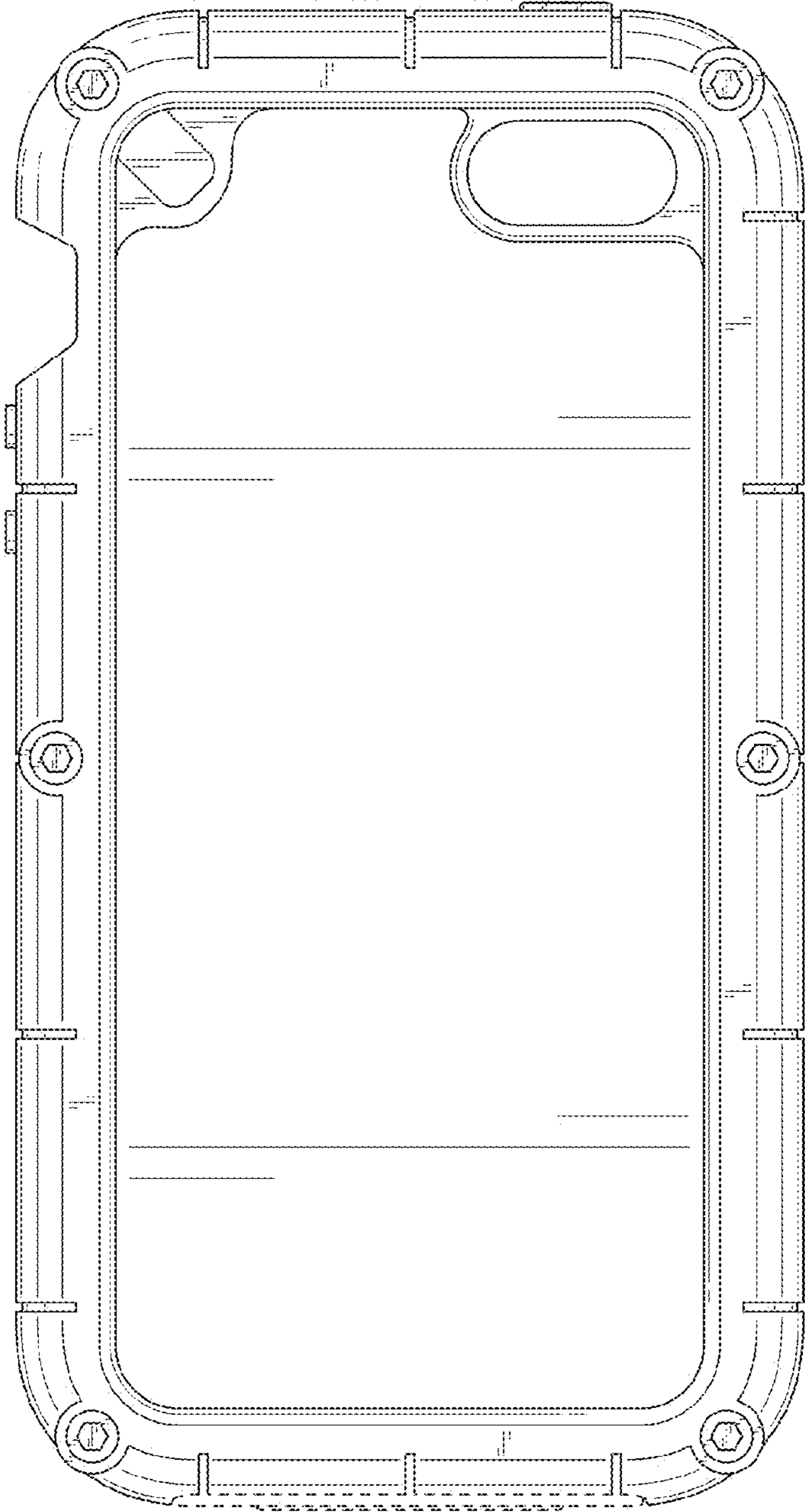


FIG. 2

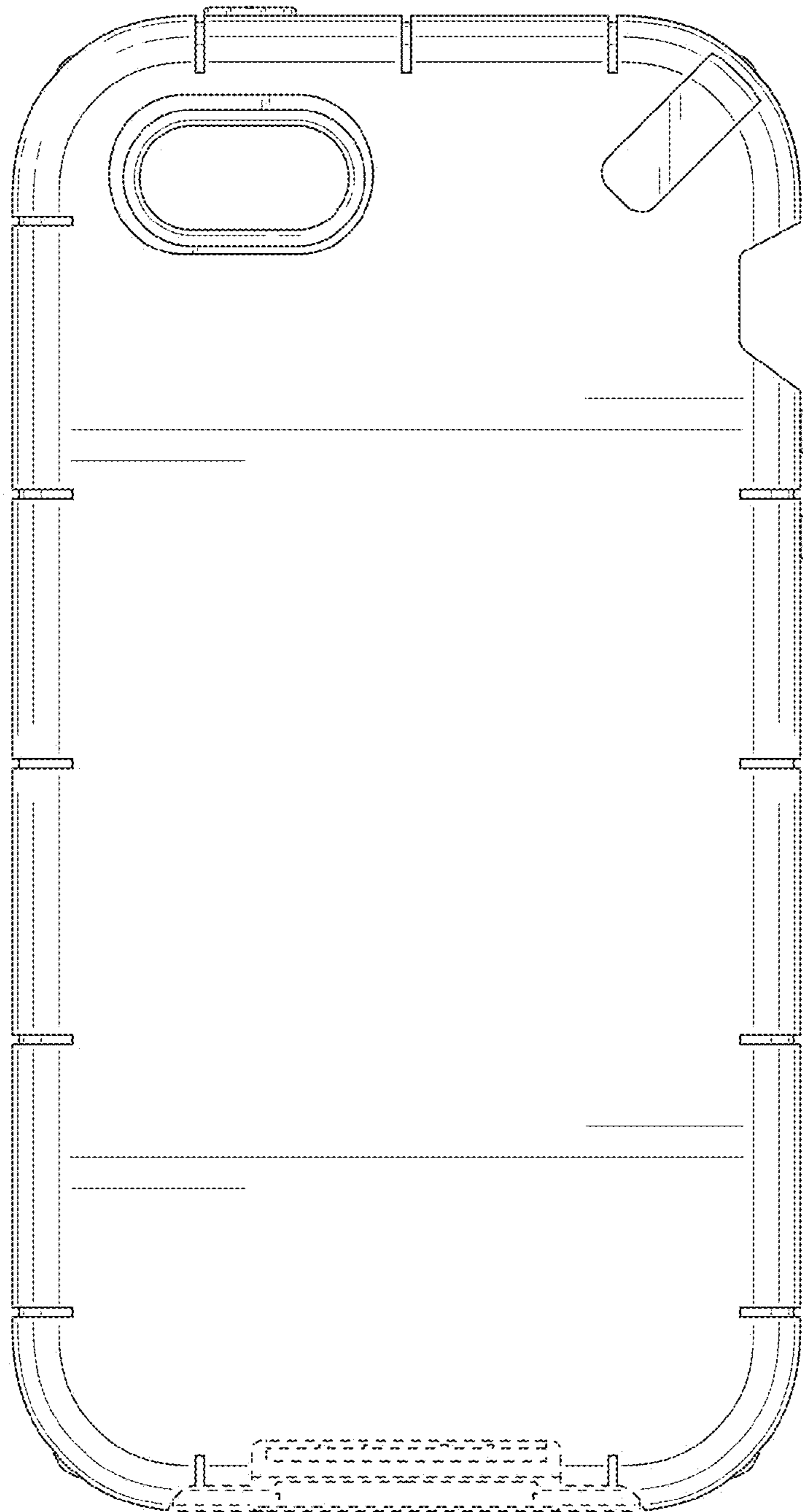


FIG. 3



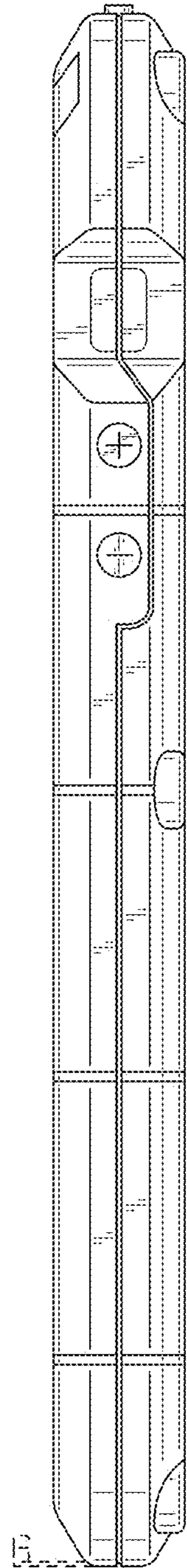


FIG. 4

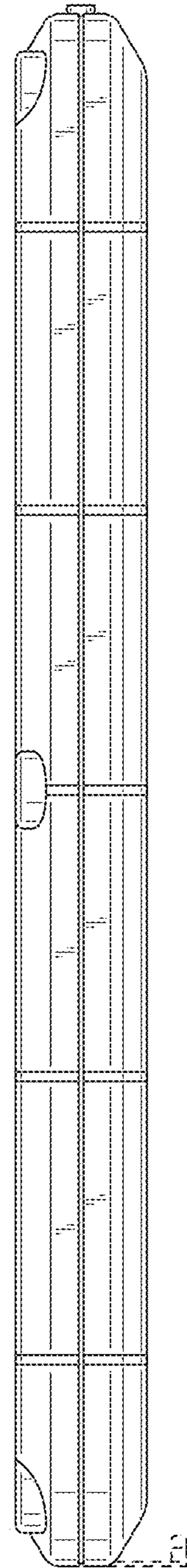


FIG. 5

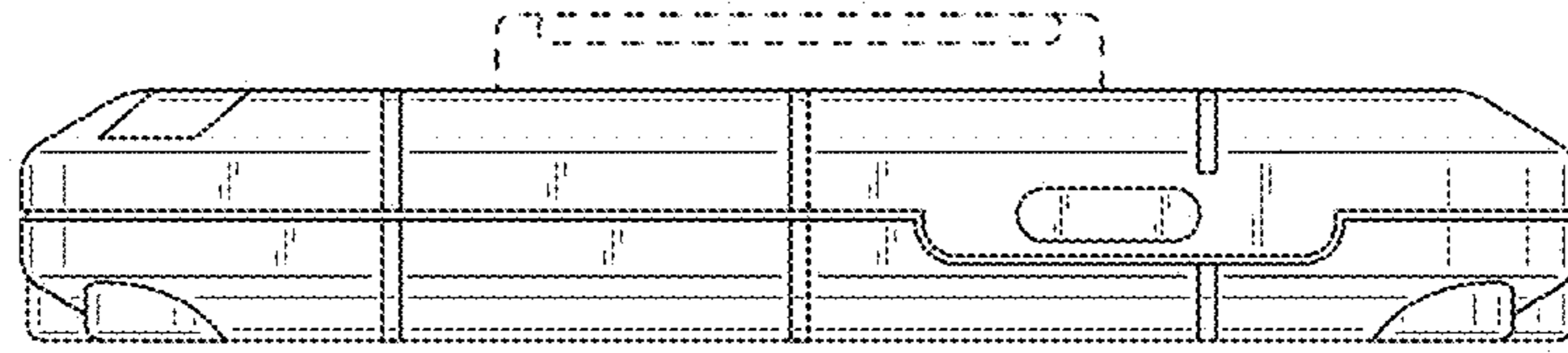


FIG. 6

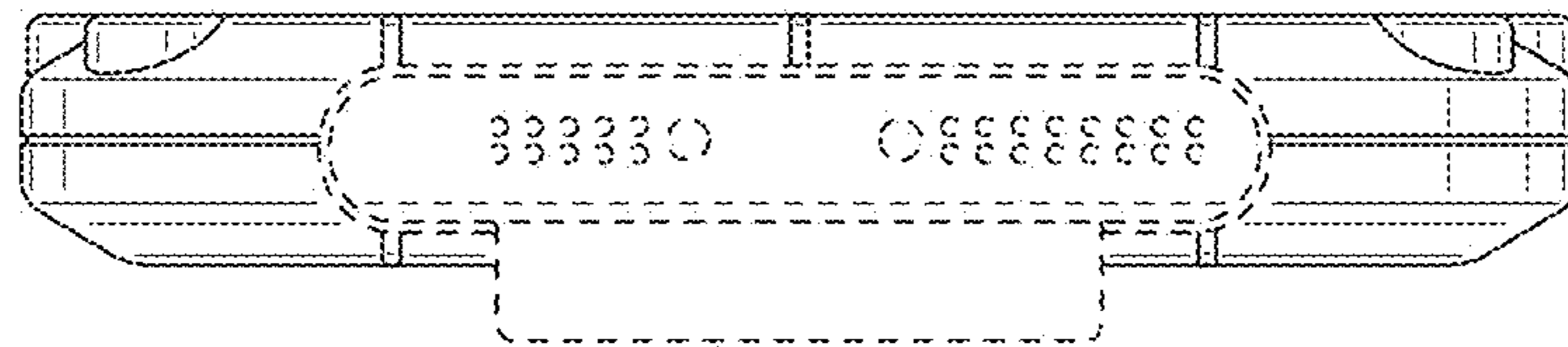


FIG. 7