



US00D712385S

(12) **United States Design Patent**
Hu et al.

(10) **Patent No.:** **US D712,385 S**

(45) **Date of Patent:** **** Sep. 2, 2014**

(54) **MOBILE PHONE PROTECTING CASE**

(75) Inventors: **Li-Ming Hu**, Taipei (TW); **Yu-Chun Lu**, Taipei (TW); **Chin-Sheng Wang**, Taipei (TW)

(73) Assignee: **Taer Innovation Co., Ltd.**, Taipei (TW)

(**) Term: **14 Years**

(21) Appl. No.: **29/419,796**

(22) Filed: **May 1, 2012**

(51) **LOC (10) Cl.** **14-03**

(52) **U.S. Cl.**
USPC **D14/250**

(58) **Field of Classification Search**

USPC D14/250–253, 440, 203.3–203.7, 217, D14/496, 248, 238.1, 240, 447; D3/201, D3/218, 269, 301, 273, 303, 103, 247; D13/103, 107–108, 119; 220/4.02; 248/309.1, 371, 176.3, 668; 361/679.56, 679.3, 679.25, 816; 379/426, 433.11, 455; 455/575.1, 455/575.8; 206/305, 320; 345/173

See application file for complete search history.

(56) **References Cited**

U.S. PATENT DOCUMENTS

D527,182 S * 8/2006 Ham D3/294
D609,463 S * 2/2010 Bullen D3/218

D623,642 S * 9/2010 Wang D14/253
D624,064 S * 9/2010 Esposito D14/250
D624,304 S * 9/2010 Danze et al. D3/201
D636,387 S * 4/2011 Willes et al. D14/250
D637,588 S * 5/2011 Richardson et al. D14/250
D644,216 S * 8/2011 Richardson et al. D14/250
D645,031 S * 9/2011 Richardson et al. D14/250
D654,931 S * 2/2012 Lemelman et al. D14/496
D671,493 S * 11/2012 Hasbrook et al. D13/119
D673,545 S * 1/2013 Magness et al. D14/250

* cited by examiner

Primary Examiner — Randall Gholson

(57) **CLAIM**

The ornamental design for a mobile phone protecting case, as shown and described.

DESCRIPTION

FIG. 1 is a perspective view of a mobile phone protecting case;

FIG. 2 is a front elevational view thereof;

FIG. 3 is a rear elevational view thereof;

FIG. 4 is a left side elevational view thereof;

FIG. 5 is a right side elevational view thereof;

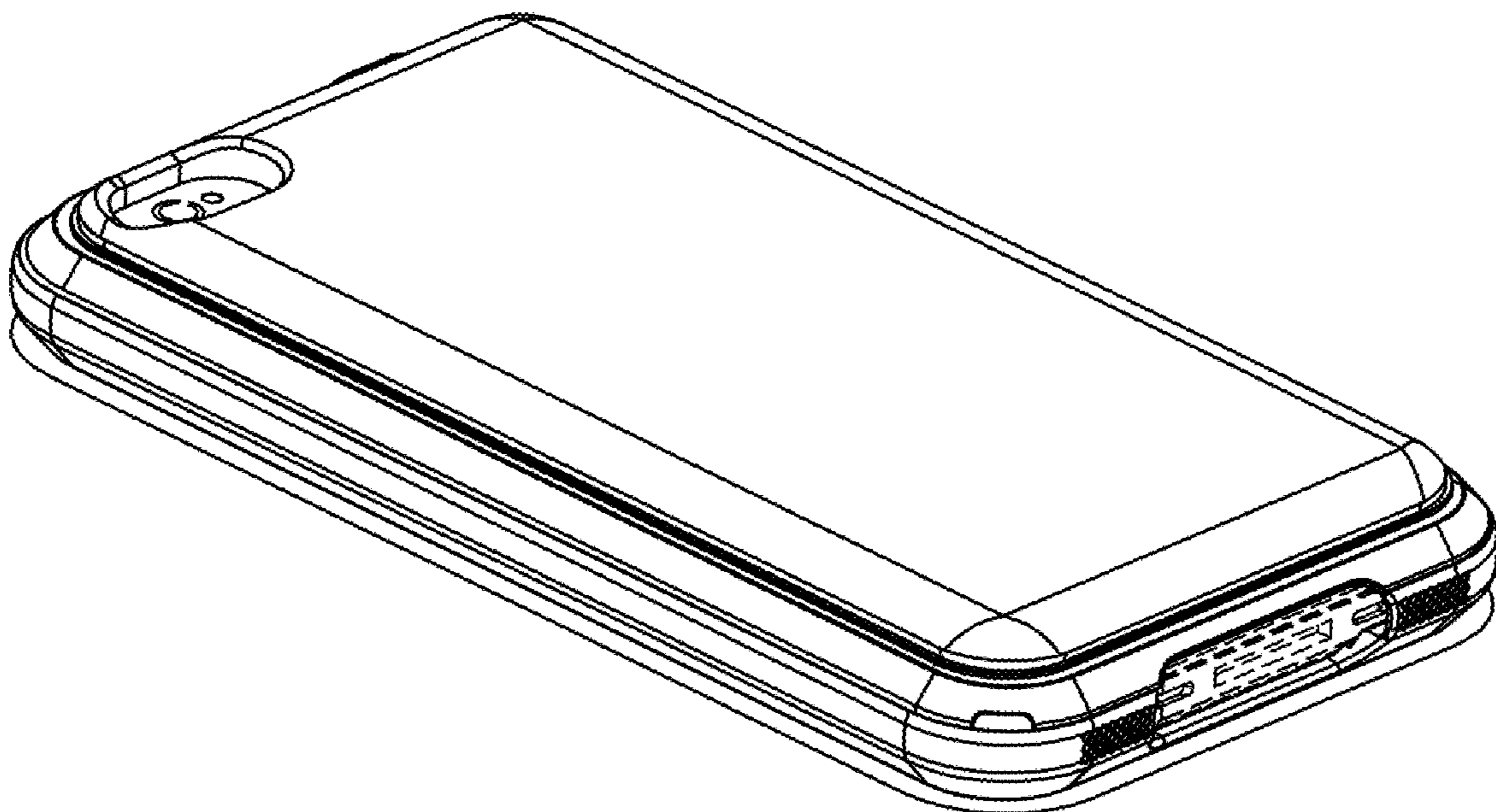
FIG. 6 is a top plan view thereof; and

FIG. 7 is a bottom plan view thereof; and,

FIG. 8 is an exploded view thereof.

The broken lines shown in the figures show unclaimed features and form no part of the claimed design.

1 Claim, 7 Drawing Sheets



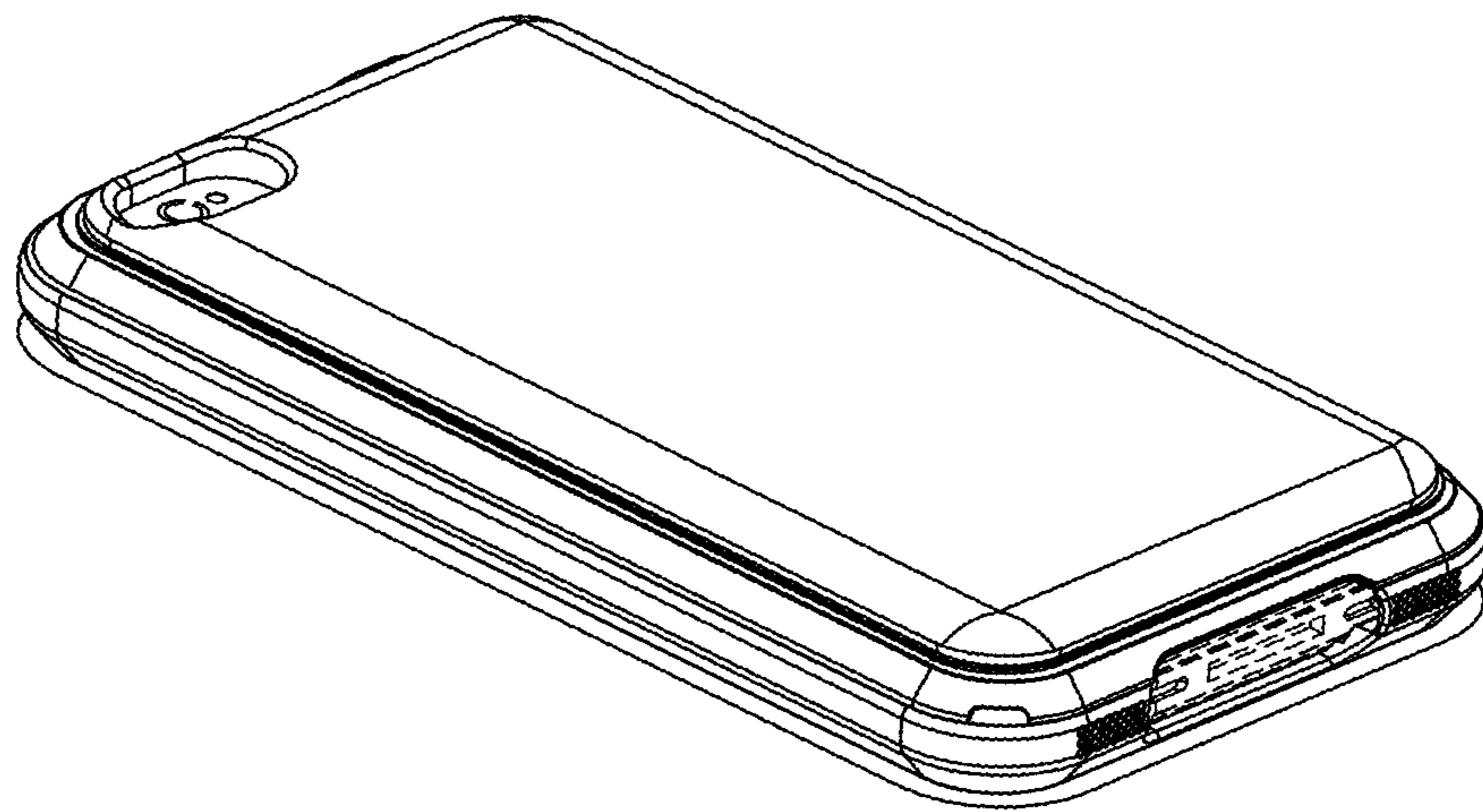


FIG. 1

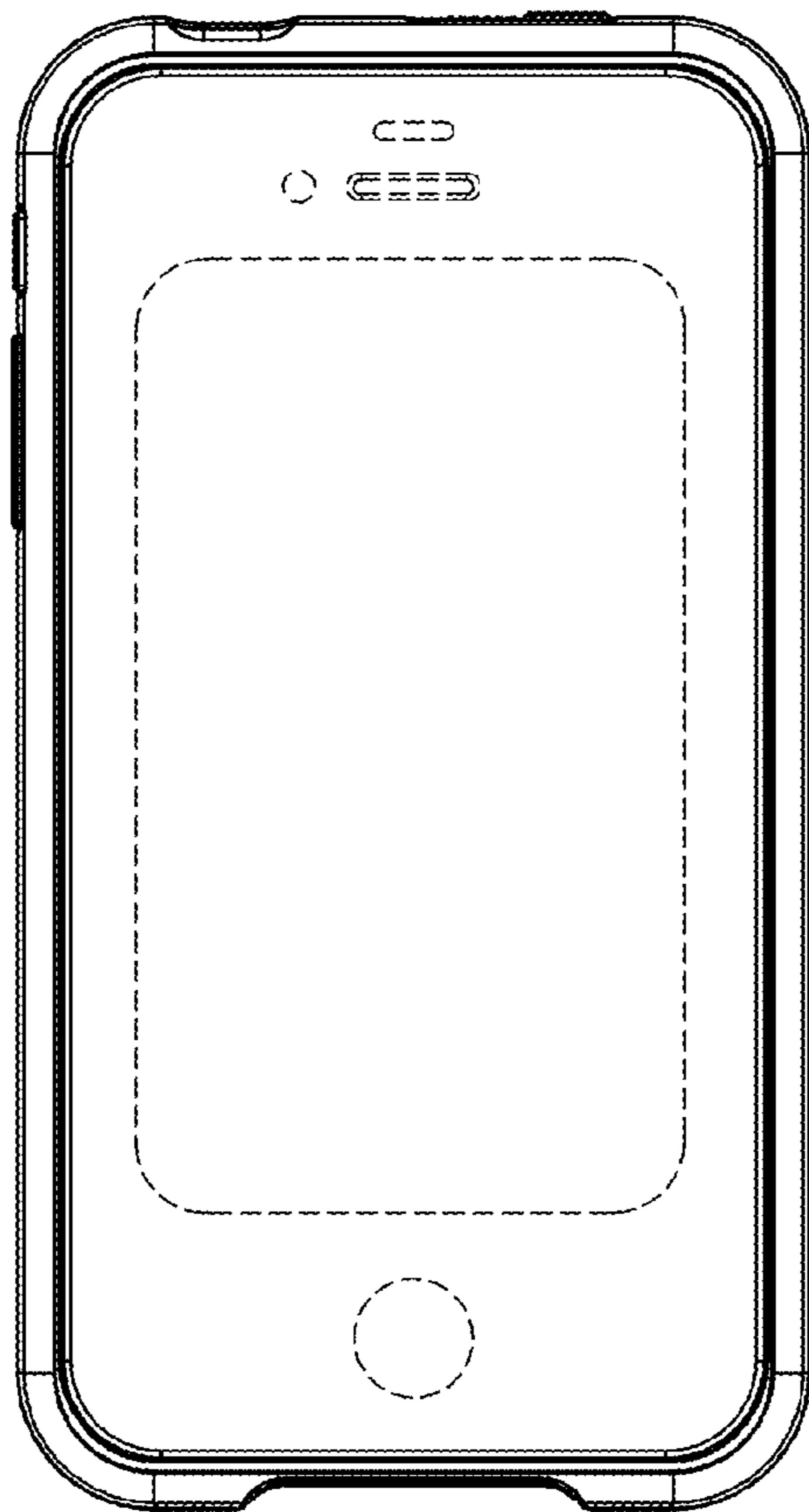


FIG. 2

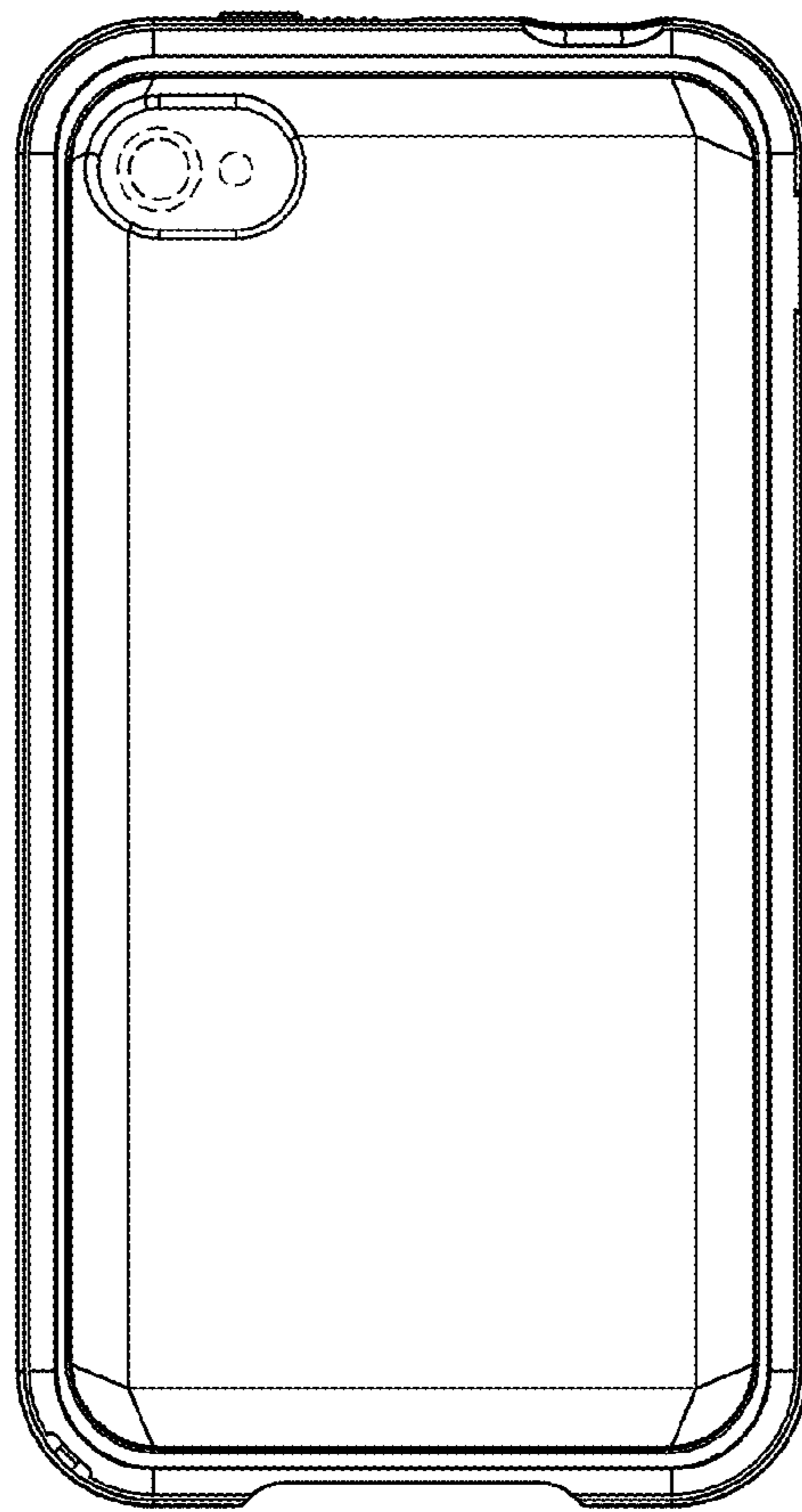


FIG. 3



FIG. 4

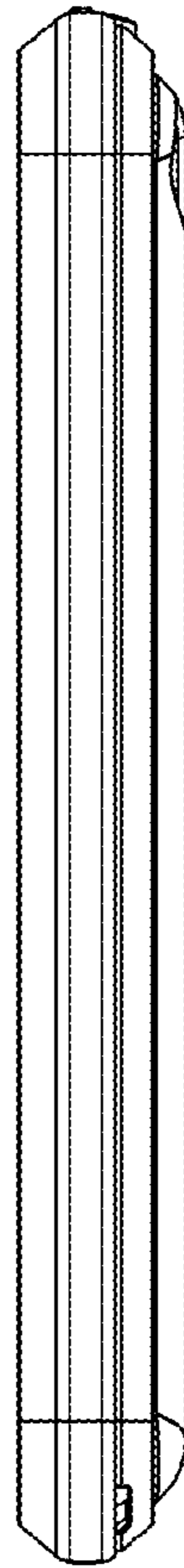


FIG. 5

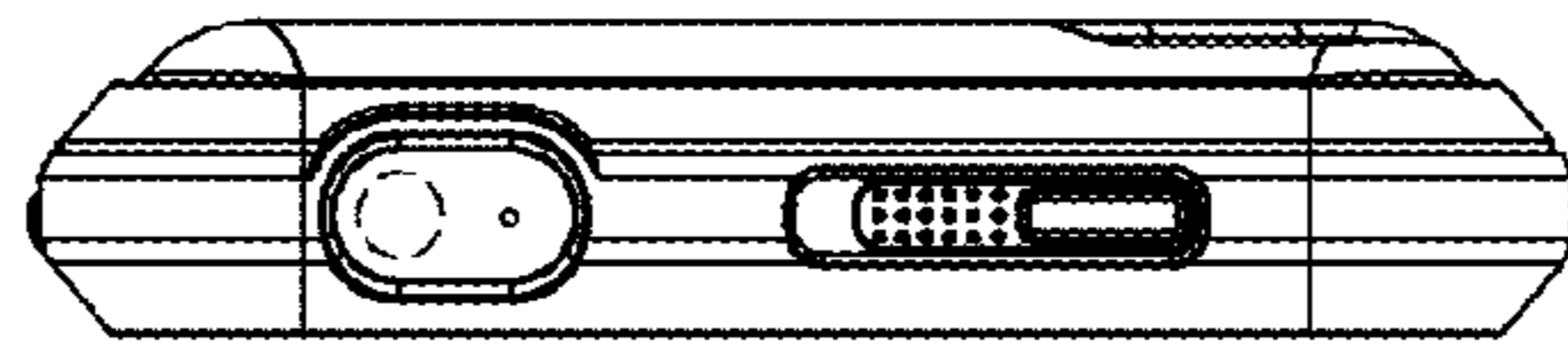


FIG. 6



FIG. 7

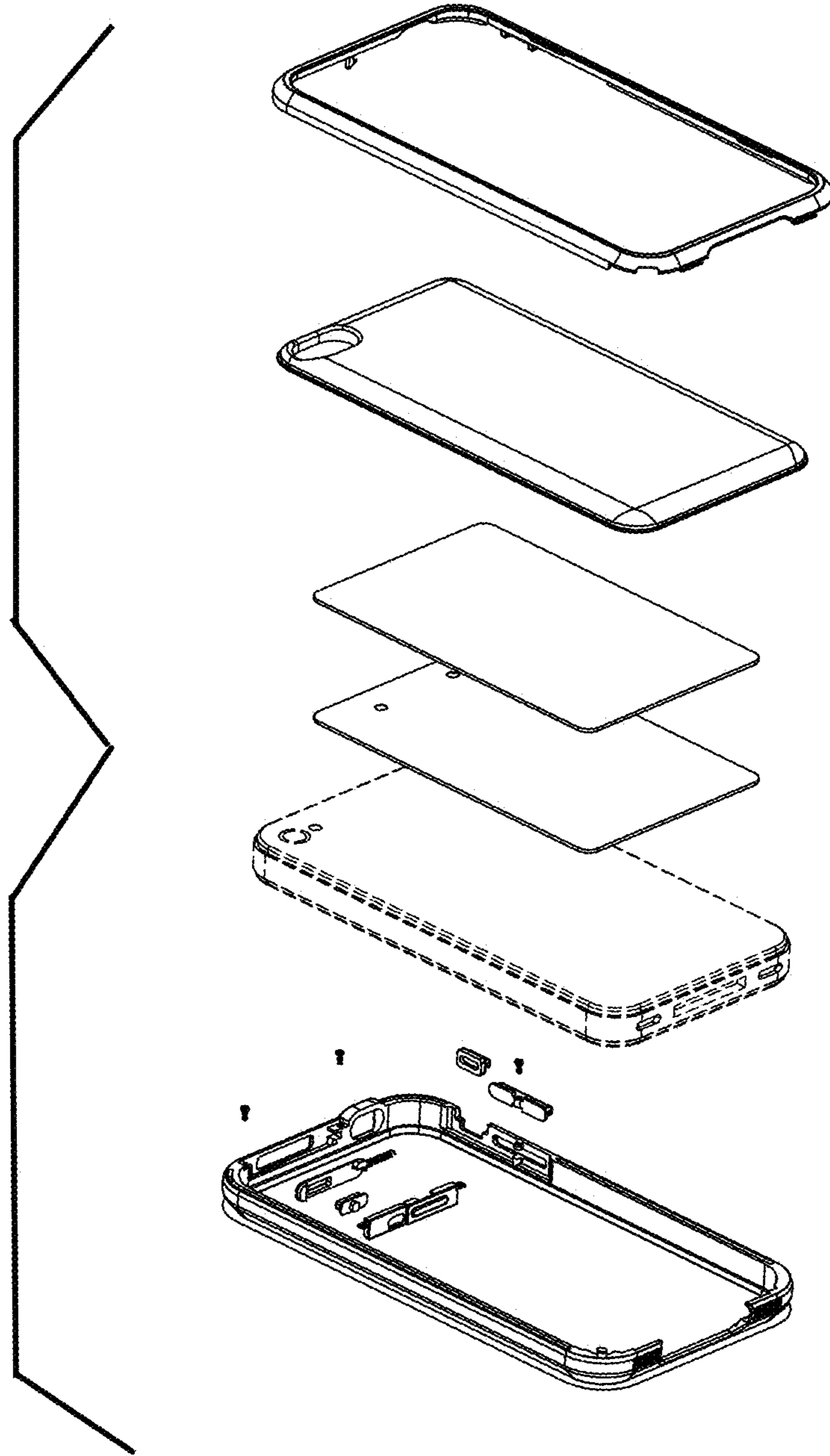


FIG. 8