



US00D712383S

(12) **United States Design Patent**  
**McNamara et al.**

(10) **Patent No.:** **US D712,383 S**

(45) **Date of Patent:** **\*\* Sep. 2, 2014**

(54) **IN-EAR HEADPHONE**

(71) Applicants: **Greg McNamara**, San Francisco, OR  
(US); **Sindre Klepp**, San Francisco, CA  
(US)

(72) Inventors: **Greg McNamara**, San Francisco, OR  
(US); **Sindre Klepp**, San Francisco, CA  
(US)

(\*\*) Term: **14 Years**

(21) Appl. No.: **29/450,329**

(22) Filed: **Mar. 16, 2013**

(51) **LOC (10) Cl.** ..... **14-01**

(52) **U.S. Cl.**  
USPC ..... **D14/223**

(58) **Field of Classification Search**  
CPC ..... H04R 1/10  
USPC ..... D14/223, 205; 181/129, 130, 135;  
379/430, 431; 381/380, 381; 455/90.3,  
455/575.2

See application file for complete search history.

(56) **References Cited**

**U.S. PATENT DOCUMENTS**

797,509	A *	8/1905	Frank	.....	128/864
2,125,348	A *	8/1938	Kurman	.....	381/380
2,145,449	A *	1/1939	Lockhart	.....	381/151
D287,765	S *	1/1987	Topholm	.....	D24/174

5,054,079	A *	10/1991	Frielingsdorf et al.	.....	381/151
D391,576	S *	3/1998	Mullin et al.	.....	D14/223
D468,301	S *	1/2003	Fushimi	.....	D14/223
D505,132	S *	5/2005	Linville et al.	.....	D14/223
D519,108	S *	4/2006	Yang	.....	D14/223
D549,222	S *	8/2007	Huang	.....	D14/223
D588,111	S *	3/2009	Komiyama	.....	D14/223
D592,638	S *	5/2009	Komiyama	.....	D14/205
D595,268	S *	6/2009	Kolton	.....	D14/223

\* cited by examiner

*Primary Examiner* — Paula Greene

(74) *Attorney, Agent, or Firm* — Alleman Hall McCoy  
Russell & Tuttle LLP

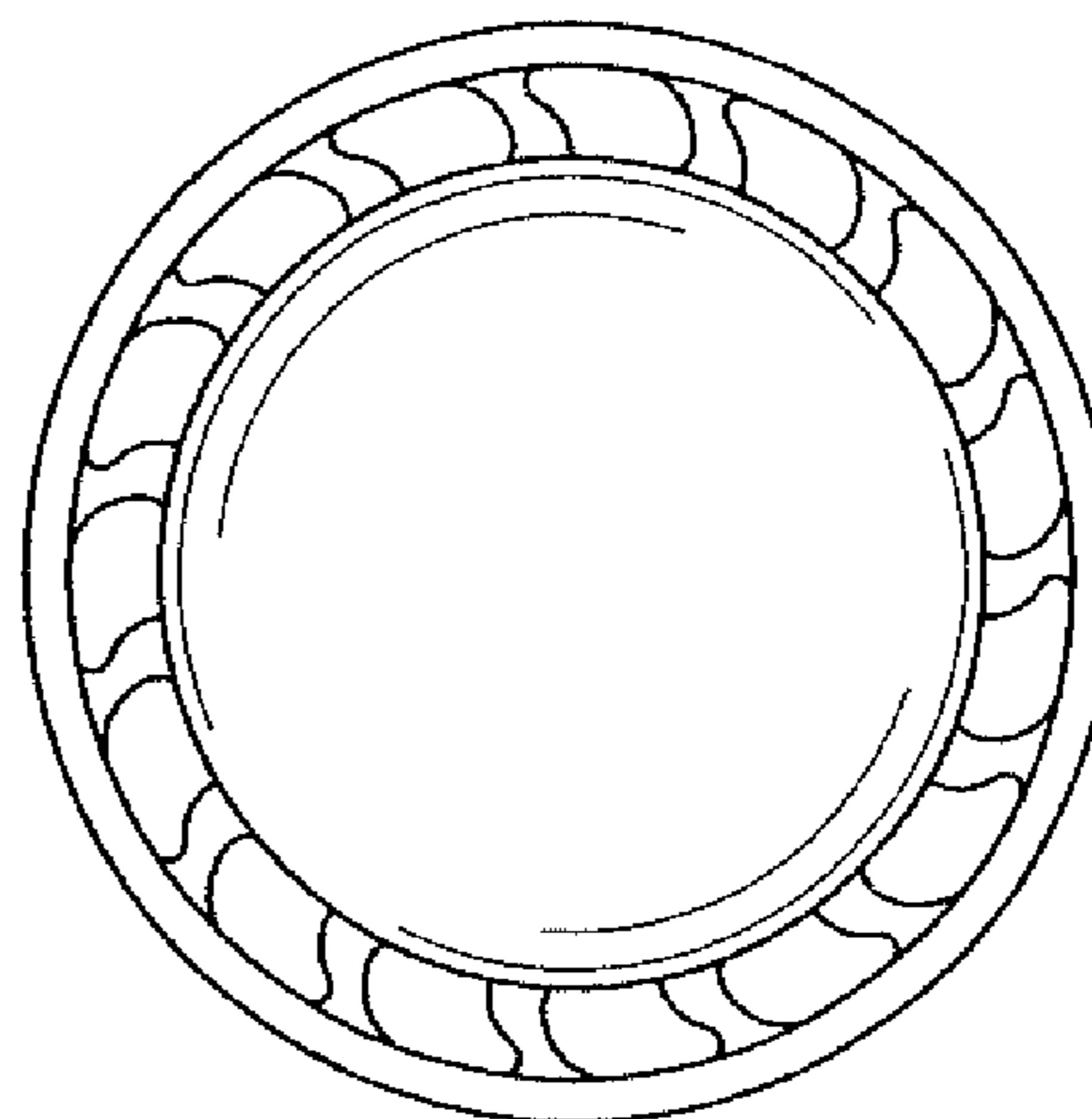
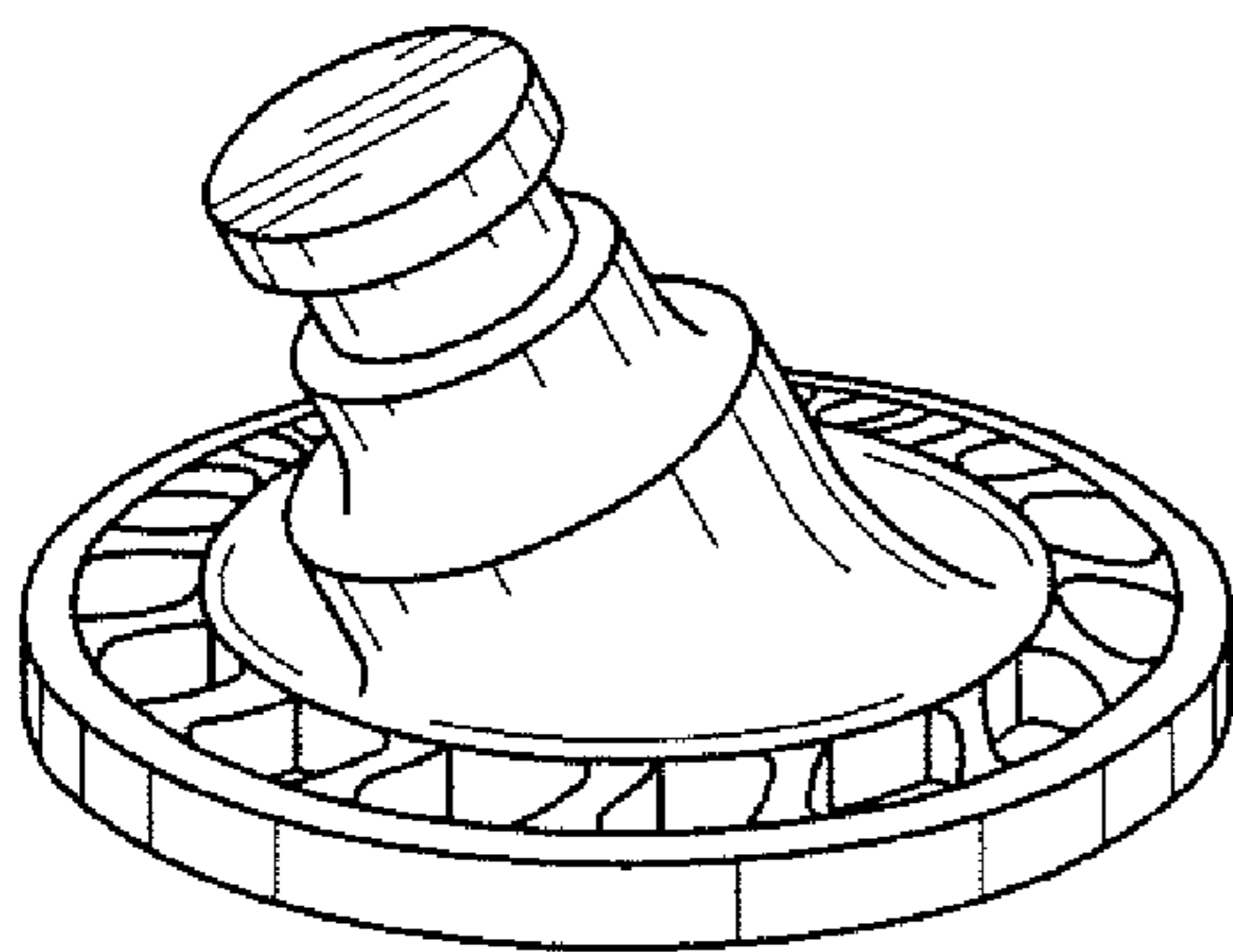
(57) **CLAIM**

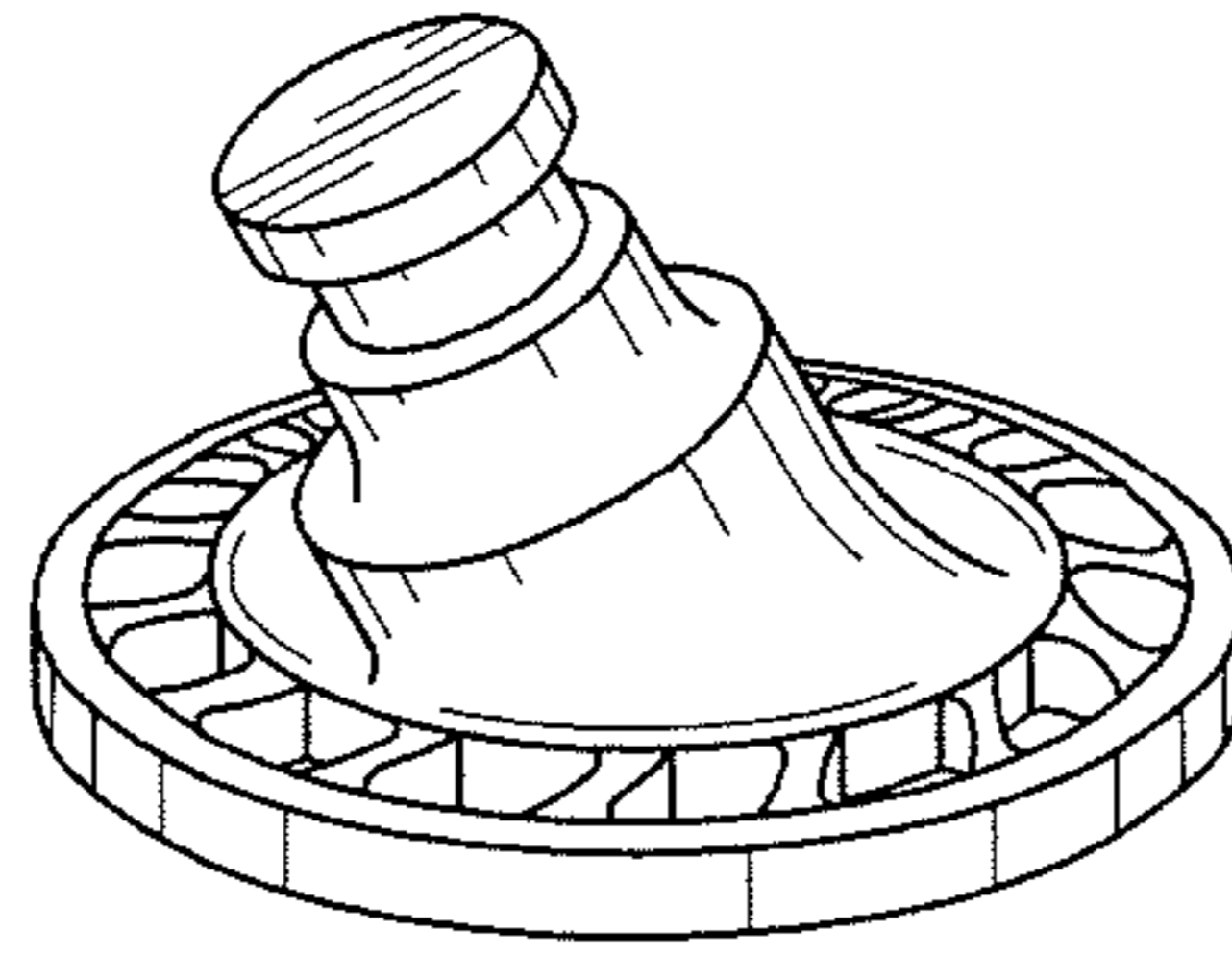
The ornamental design for an in-ear headphone, as shown and described.

**DESCRIPTION**

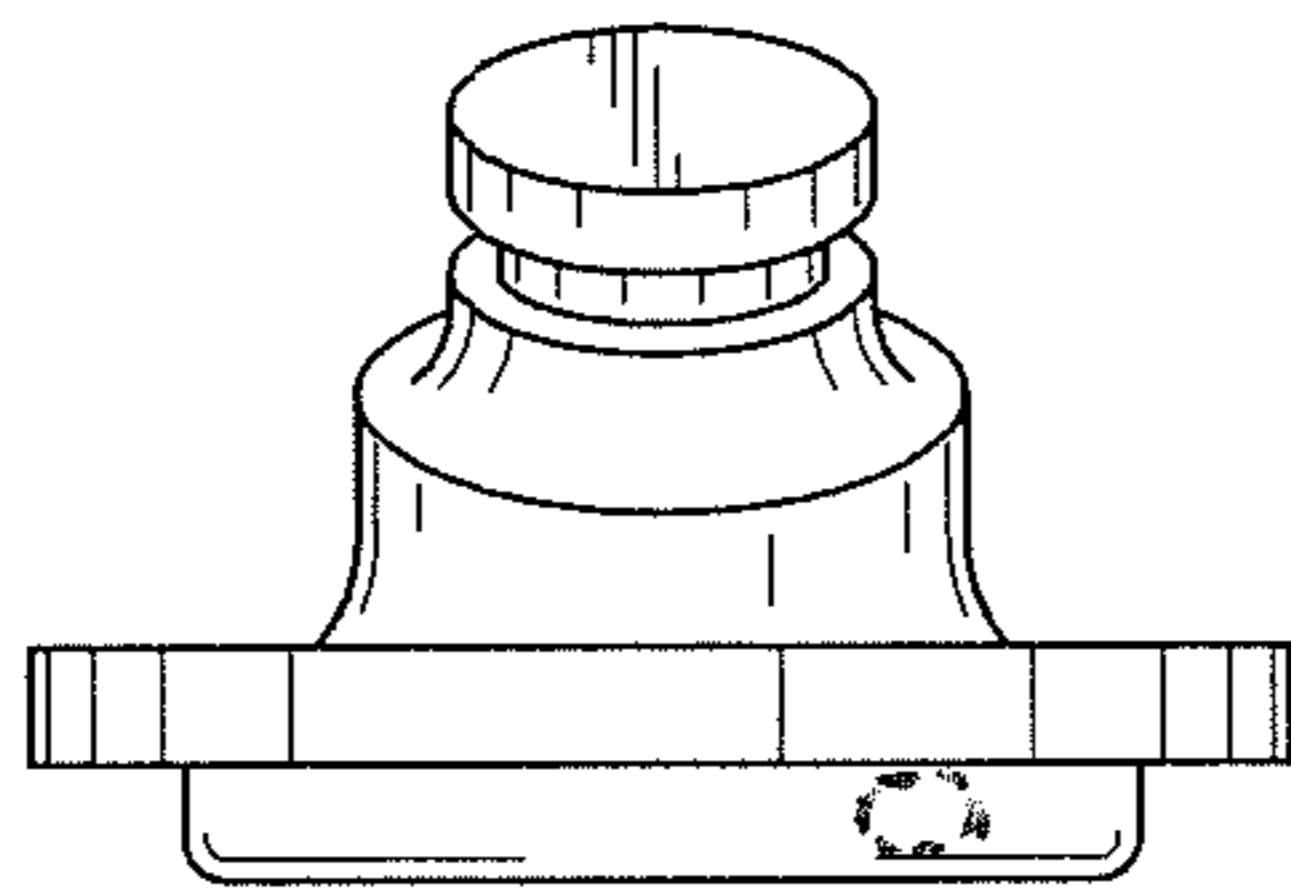
FIG. 1 is a front right perspective view of an ornamental design for an in-ear headphone, according to the invention. FIG. 2 is a front view of the in-ear headphone of FIG. 1. FIG. 3 is a back view of the in-ear headphone of FIG. 1. FIG. 4 is a top view of the in-ear headphone of FIG. 1. FIG. 5 is a bottom view of the in-ear headphone of FIG. 1. FIG. 6 is a right view of the in-ear headphone of FIG. 1; and, FIG. 7 is a left view of the in-ear headphone of FIG. 1. The claimed design is shaded in FIGS. 1 through 7. The dashed lines in the figures are for environmental purposes only and form no part of the claimed design.

**1 Claim, 1 Drawing Sheet**

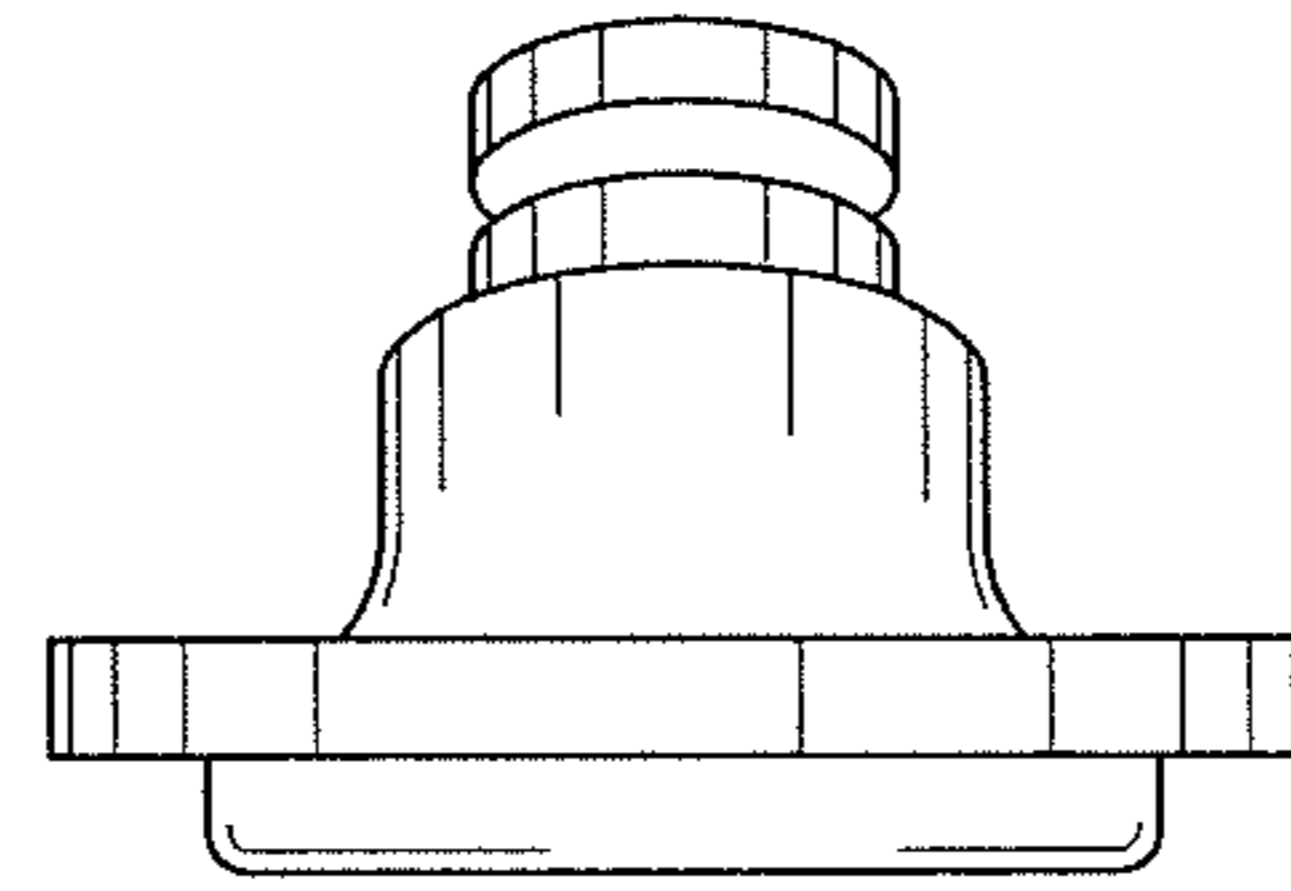




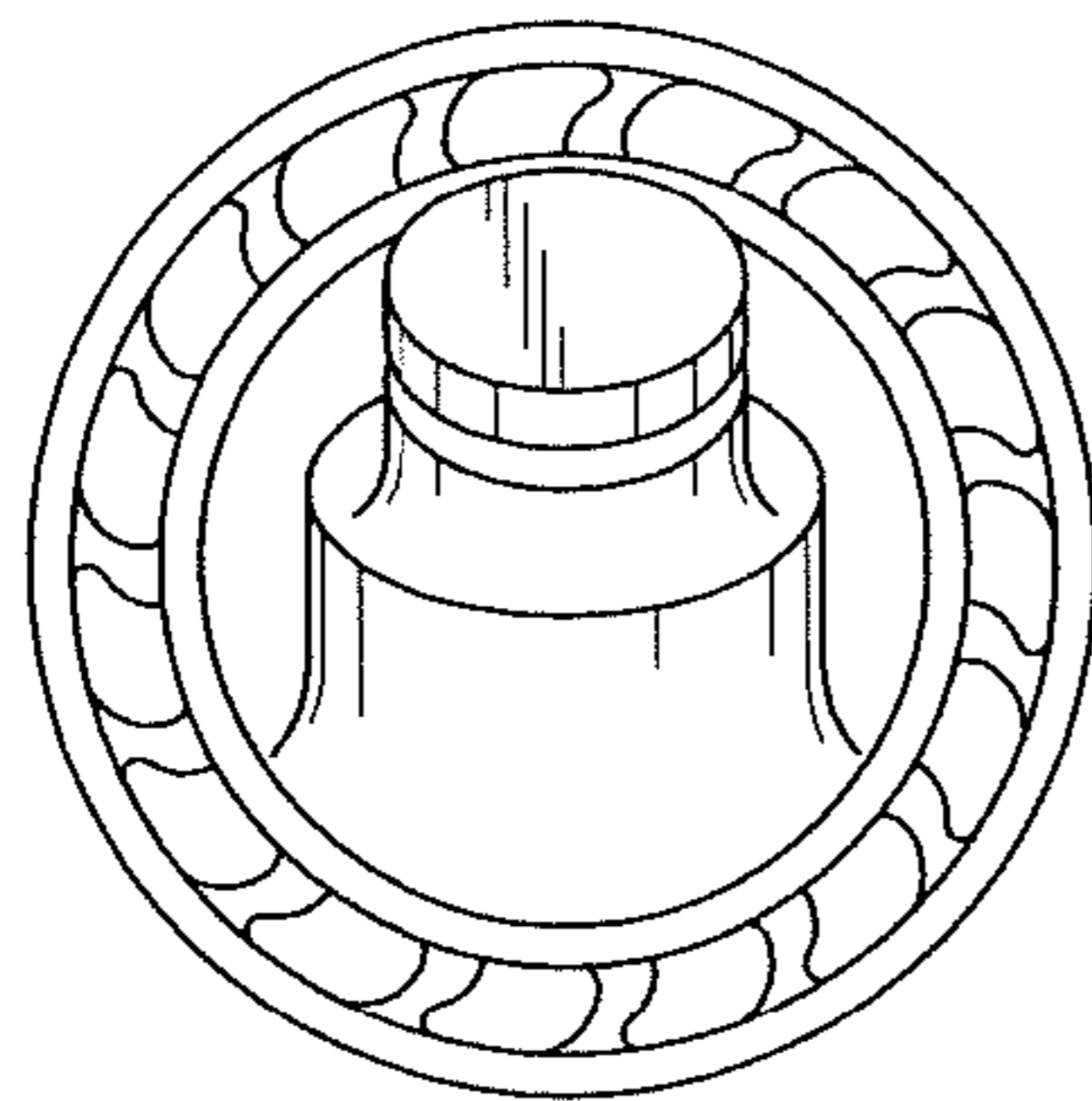
**FIG. 1**



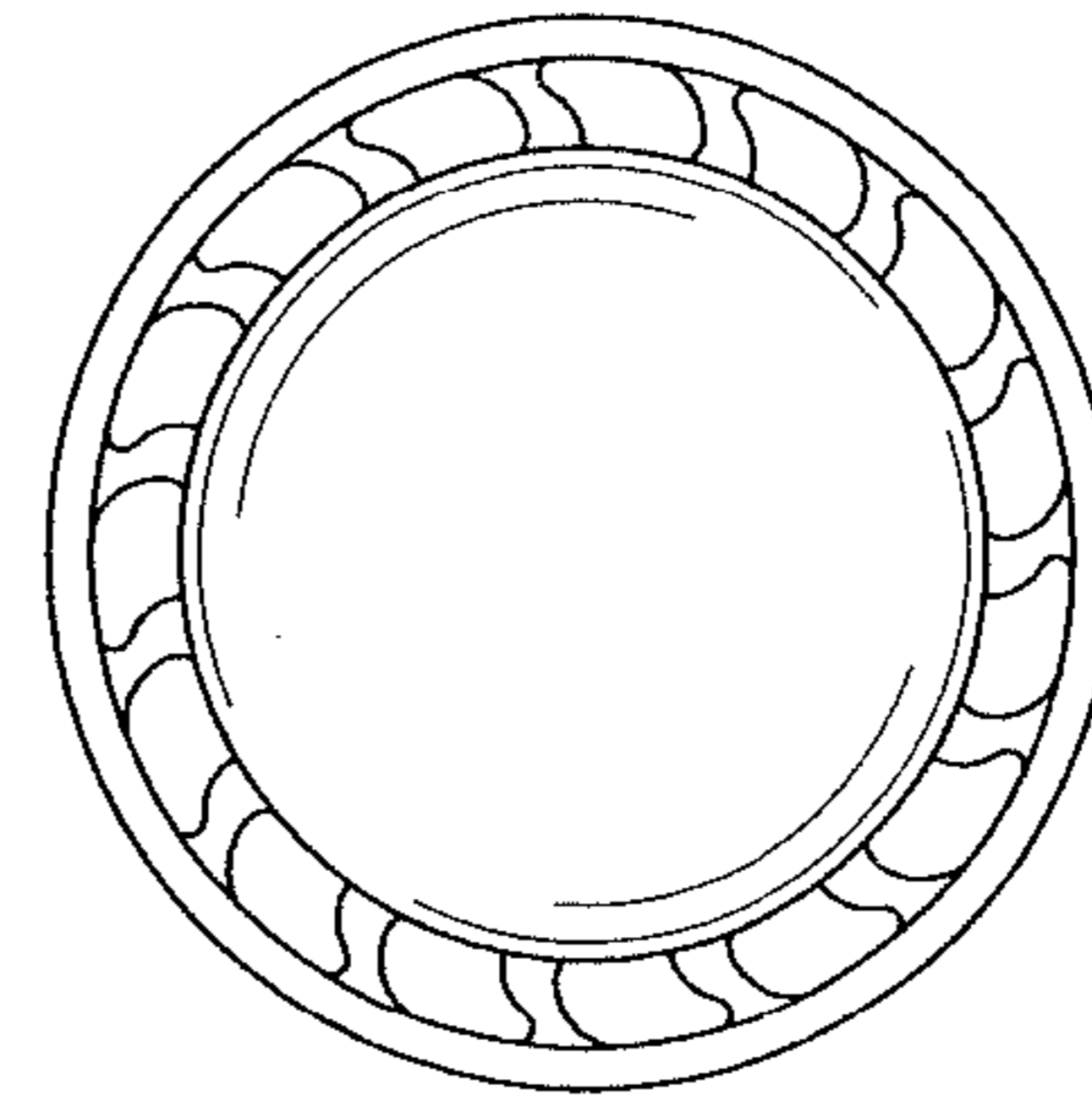
**FIG. 2**



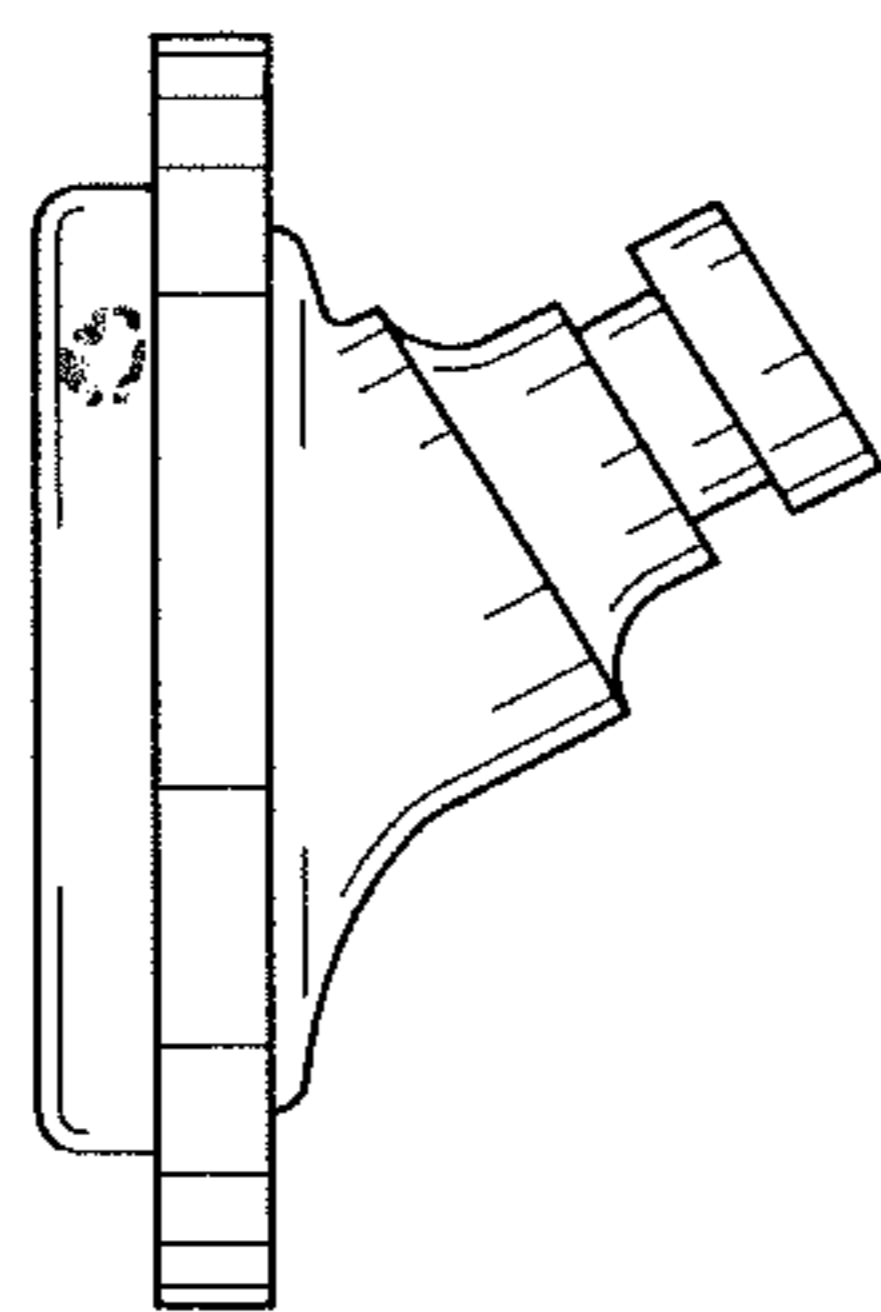
**FIG. 3**



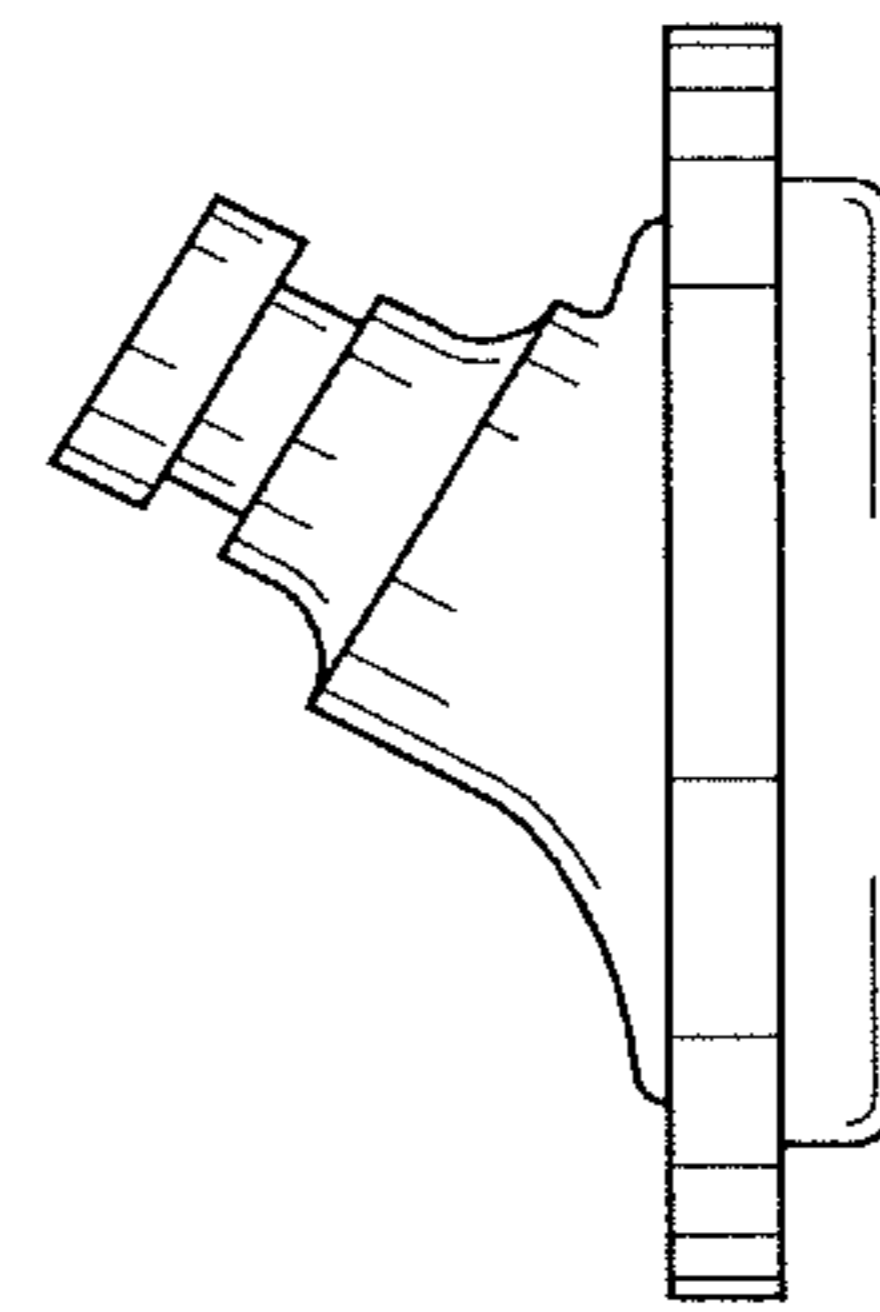
**FIG. 4**



**FIG. 5**



**FIG. 6**



**FIG. 7**