



US00D712382S

(12) **United States Design Patent**
Brunner et al.

(10) **Patent No.:** **US D712,382 S**

(45) **Date of Patent:** **** Sep. 2, 2014**

(54) **AUDIO LISTENING SYSTEM**

(71) Applicant: **Beats Electronics, LLC**, Santa Monica, CA (US)

(72) Inventors: **Robert Brunner**, San Francisco, CA (US); **Christopher Kuh**, San Francisco, CA (US)

(73) Assignee: **Beats Electronics, LLC**, Culver City, CA (US)

(**) Term: **14 Years**

(21) Appl. No.: **29/441,334**

(22) Filed: **Jan. 3, 2013**

(51) **LOC (10) Cl.** **14-01**

(52) **U.S. Cl.**
USPC **D14/223**

(58) **Field of Classification Search**
CPC H04R 1/1016
USPC D14/205, 223; 181/129, 130, 135;
379/430, 431; 381/380, 381; 455/90.3,
455/575.1

See application file for complete search history.

(56) **References Cited**

U.S. PATENT DOCUMENTS

2,009,390 A 7/1935 Armand
2,248,837 A 7/1941 Walters

(Continued)

FOREIGN PATENT DOCUMENTS

TW D126814 1/2009

OTHER PUBLICATIONS

Search Report dated Oct. 3, 2011 for Taiwanese application No. 099303307.

(Continued)

Primary Examiner — Paula Greene

(74) *Attorney, Agent, or Firm* — Michael G. Kelber; Neal, Gerber & Eisenberg LLP

(57) **CLAIM**

The ornamental design for audio listening system, as shown and described.

DESCRIPTION

FIG. 1 is a perspective view of a first embodiment of an audio listening system in accordance with the present invention; FIG. 2 is a front view of a first embodiment of an audio listening system in accordance with the present invention; FIG. 3 is a rear view of a first embodiment of an audio listening system in accordance with the present invention; FIG. 4 is a side perspective view of the earpiece of a first embodiment of an audio listening system in accordance with the present invention, shown separately for purposes of illustration;

FIG. 5 is an opposing side perspective view of the earpiece of a first embodiment of an audio listening system in accordance with the present invention;

FIG. 6 is a top view of the earpiece of a first embodiment of an audio listening system in accordance with the present invention;

FIG. 7 is a bottom view of the earpiece of a first embodiment of an audio listening system in accordance with the present invention;

FIG. 8 is a perspective view of a second embodiment of an audio listening system in accordance with the present invention;

FIG. 9 is a front view of a second embodiment of an audio listening system in accordance with the present invention;

FIG. 10 is a rear view of a second embodiment of an audio listening system in accordance with the present invention;

FIG. 11 is a side perspective view of the earpiece of a second embodiment of an audio listening system in accordance with the present invention, shown separately for purposes of illustration;

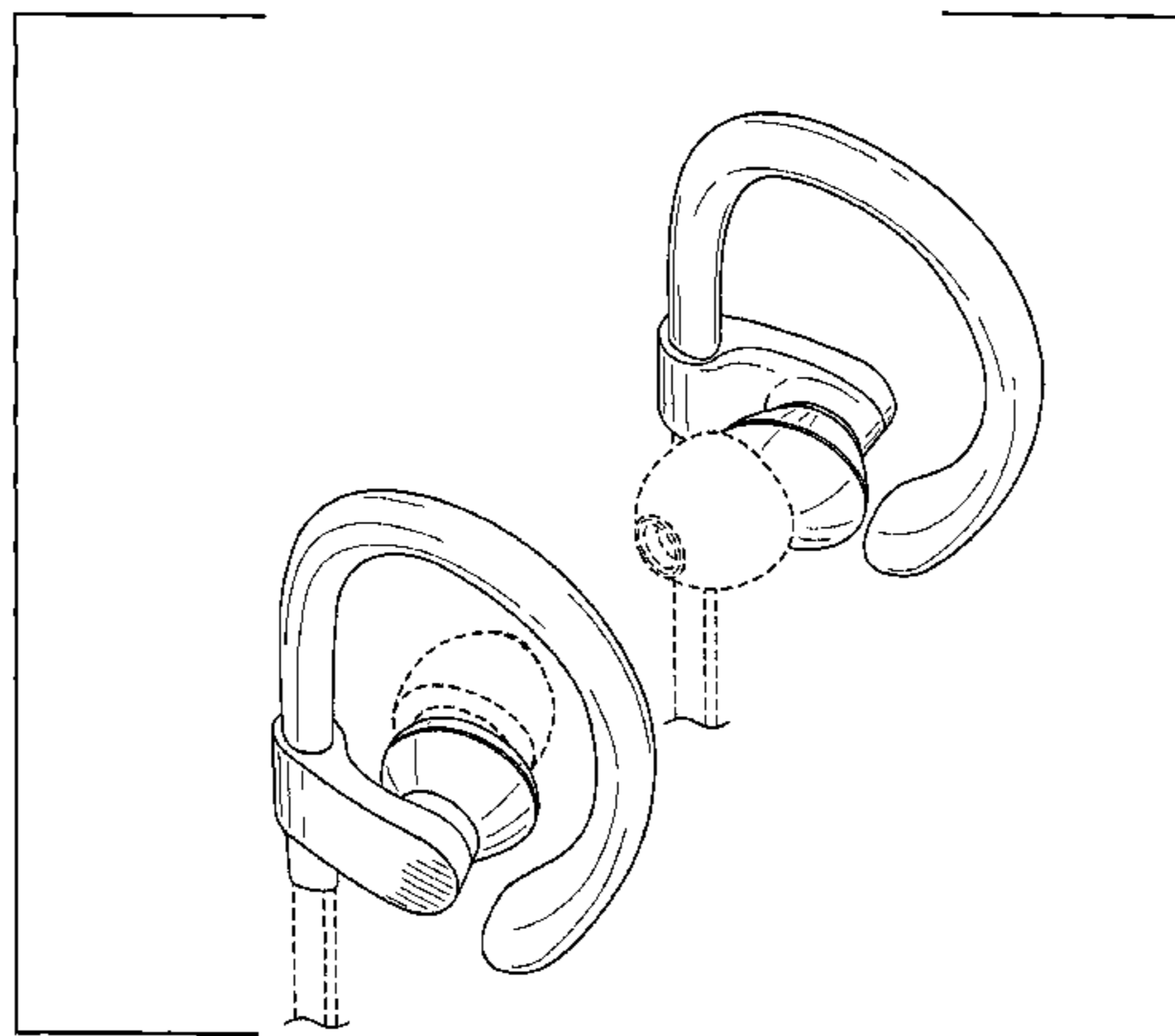
FIG. 12 is an opposing side perspective view of the earpiece of a second embodiment of audio listening system in accordance with the present invention;

FIG. 13 is a top view of the earpiece of a second embodiment of an audio listening system in accordance with the present invention; and,

FIG. 14 is a bottom view of the earpiece of a second embodiment of an audio listening system in accordance with the present invention.

The broken lines showing the environment in the Figures are for illustrative purposes only and form no part of the claimed design.

1 Claim, 6 Drawing Sheets



(56)

References Cited

U.S. PATENT DOCUMENTS

2,430,229 A 11/1947 Kelsey
 2,474,135 A * 6/1949 White 381/381
 2,545,731 A 3/1951 French
 2,739,660 A 3/1956 French
 D233,444 S 10/1974 Christian et al.
 D241,881 S 10/1976 Peterson
 4,253,452 A 3/1981 Powers et al.
 D270,634 S 9/1983 Ungar
 D276,143 S 10/1984 Williams
 4,646,872 A 3/1987 Kamon et al.
 D299,344 S 1/1989 Stevens
 D299,454 S 1/1989 Kwong
 D309,306 S 7/1990 Weiser et al.
 D316,550 S 4/1991 Sogabe
 D318,670 S 7/1991 Taniguchi
 D326,855 S 6/1992 Bose et al.
 5,179,501 A 1/1993 Ocken et al.
 D334,043 S 3/1993 Taniguchi et al.
 5,625,171 A * 4/1997 Marshall 181/130
 5,659,156 A 8/1997 Mauney et al.
 D383,757 S * 9/1997 Dobrusskin et al. D14/223
 D385,254 S 10/1997 Owusu
 D430,060 S 8/2000 Kavalek
 D443,859 S 6/2001 Hogan
 D457,514 S 5/2002 Marion et al.
 D459,342 S 6/2002 Marion et al.
 D460,749 S * 7/2002 Liu D14/206
 D463,791 S * 10/2002 Nagai et al. D14/223
 D470,129 S 2/2003 Hlas et al.
 D475,996 S 6/2003 Skulley
 D481,377 S 10/2003 Eguchi
 D482,348 S 11/2003 Villaverde et al.
 6,728,388 B1 4/2004 Nageno et al.
 D508,479 S 8/2005 Okada
 D508,911 S * 8/2005 Sanders D14/223
 D510,085 S * 9/2005 Suzuki D14/223
 D510,575 S * 10/2005 Leong D14/223
 D526,642 S 8/2006 Choe
 D529,901 S 10/2006 Ohta
 D535,642 S 1/2007 Garcia
 D542,282 S * 5/2007 Yoshiyama D14/223
 D543,968 S * 6/2007 Wong D14/205
 D543,972 S * 6/2007 Taylor D14/223
 D550,657 S * 9/2007 Gan et al. D14/223
 D554,109 S 10/2007 Ledbetter et al.
 D556,735 S * 12/2007 Yeo D14/206
 D558,735 S 1/2008 Carr et al.
 D559,837 S * 1/2008 Nakano D14/223
 D564,495 S 3/2008 Sasaki
 D566,104 S * 4/2008 Suzuki D14/223
 D569,841 S 5/2008 Chung et al.
 D574,367 S 8/2008 Jaakkola
 D575,772 S * 8/2008 Schultz et al. D14/223
 D576,154 S 9/2008 Ledbetter et al.
 D578,507 S 10/2008 Ando
 D579,005 S 10/2008 Wilhelmsen
 D579,444 S 10/2008 Ewert
 D582,398 S 12/2008 Nam et al.

D584,293 S * 1/2009 Kim et al. D14/223
 D585,881 S 2/2009 Nam et al.
 D587,681 S 3/2009 Yanai
 D589,493 S 3/2009 Densho
 D591,264 S 4/2009 Hong et al.
 D593,075 S * 5/2009 Williams et al. D14/223
 D594,441 S * 6/2009 Lee et al. D14/205
 7,551,748 B2 6/2009 Kamo et al.
 D597,084 S * 7/2009 Gondo D14/223
 D598,901 S * 8/2009 Lee et al. D14/223
 D599,781 S * 9/2009 Lee et al. D14/205
 D600,675 S * 9/2009 Lee et al. D14/205
 D601,126 S * 9/2009 Christopher et al. D14/206
 D602,475 S 10/2009 Martin
 D603,837 S 11/2009 Martin
 D605,628 S 12/2009 Ando
 D606,048 S * 12/2009 Soetejo et al. D14/223
 D607,875 S 1/2010 Pedersen, II
 7,648,005 B2 * 1/2010 Leong et al. 181/135
 D609,698 S 2/2010 Ng
 7,664,287 B2 2/2010 Neu et al.
 D613,274 S 4/2010 Lee et al.
 D614,168 S 4/2010 Rogers et al.
 7,708,110 B2 * 5/2010 Leong et al. 181/135
 D622,707 S 8/2010 Chen et al.
 D624,529 S 9/2010 Huang
 D626,117 S * 10/2010 Lowry D14/223
 D627,764 S 11/2010 Tsai et al.
 D628,555 S 12/2010 Ponzio et al.
 D630,179 S 1/2011 Park et al.
 D631,037 S 1/2011 Park et al.
 D631,470 S * 1/2011 Yoneyama et al. D14/223
 D634,305 S 3/2011 Hoggarth
 D636,763 S 4/2011 Walter et al.
 D637,182 S * 5/2011 Lee et al. D14/223
 D637,998 S * 5/2011 Brunner et al. D14/205
 D637,999 S * 5/2011 Brunner et al. D14/205
 D641,008 S * 7/2011 Lee et al. D14/223
 D641,010 S * 7/2011 Kwon D14/223
 D641,736 S 7/2011 Brunner et al.
 D642,163 S 7/2011 Lee et al.
 D643,414 S * 8/2011 Lee et al. D14/223
 D643,416 S 8/2011 Chong et al.
 D643,417 S 8/2011 Lee et al.
 D643,418 S 8/2011 Lee et al.
 8,068,633 B2 11/2011 Lee et al.
 D652,817 S * 1/2012 Lee et al. D14/205
 D652,822 S * 1/2012 Lee et al. D14/223
 D678,251 S * 3/2013 Cantoni et al. D14/223
 2011/0051979 A1 3/2011 Lee et al.

OTHER PUBLICATIONS

Design U.S. Appl. No. 29/365,975, filed Jul. 16, 2010.
 Unpublished pending Design U.S. Appl. No. 29/457,923, filed on Jun. 13, 2013, pursuant to the Commissioner's Notice dated Sep. 21, 2004.
 Unpublished pending Design U.S. Appl. No. 29/441,335, filed on Jan. 3, 2013, pursuant to the Commissioner's Notice dated Sep. 21, 2004.

* cited by examiner

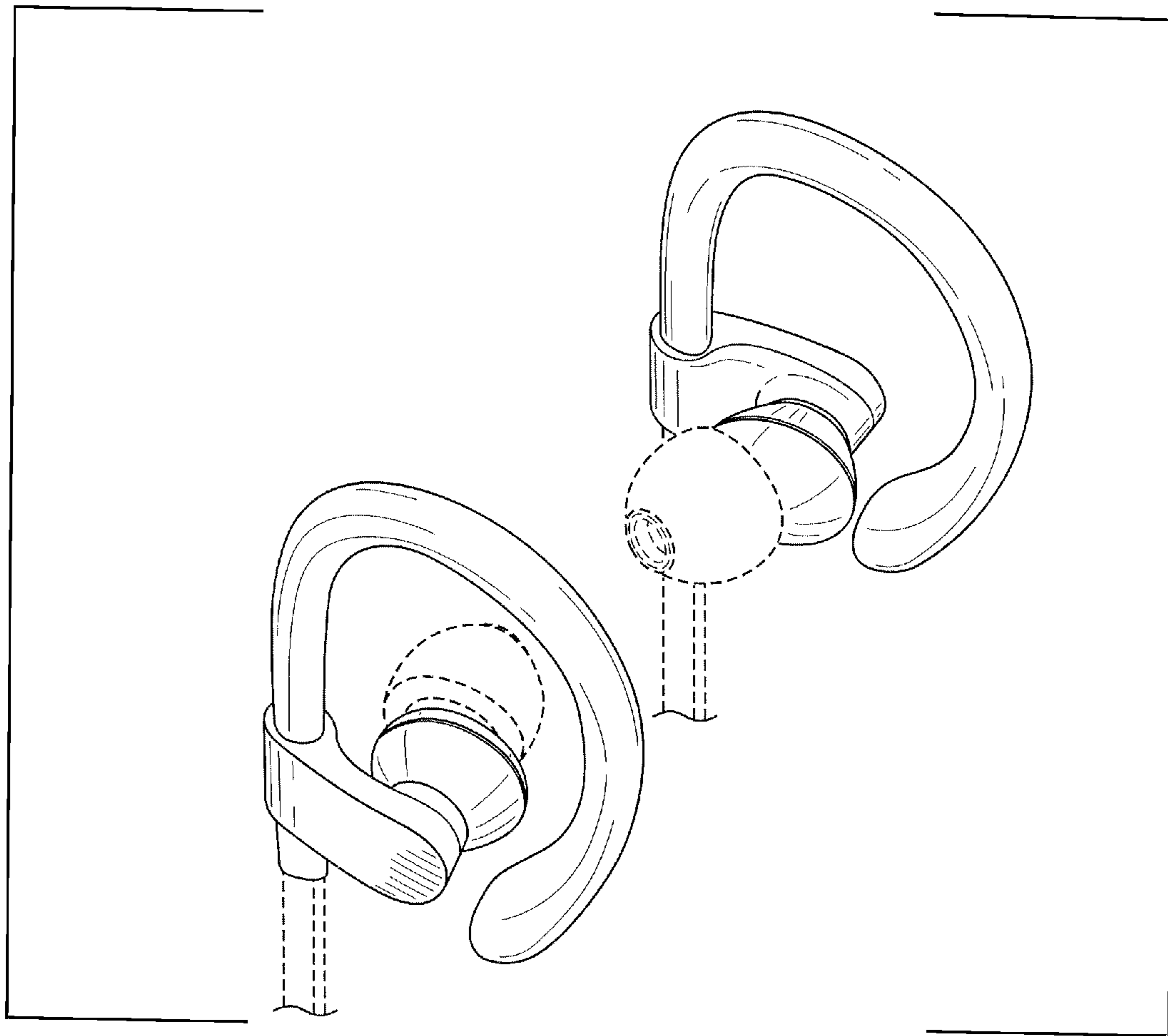


FIG. 1

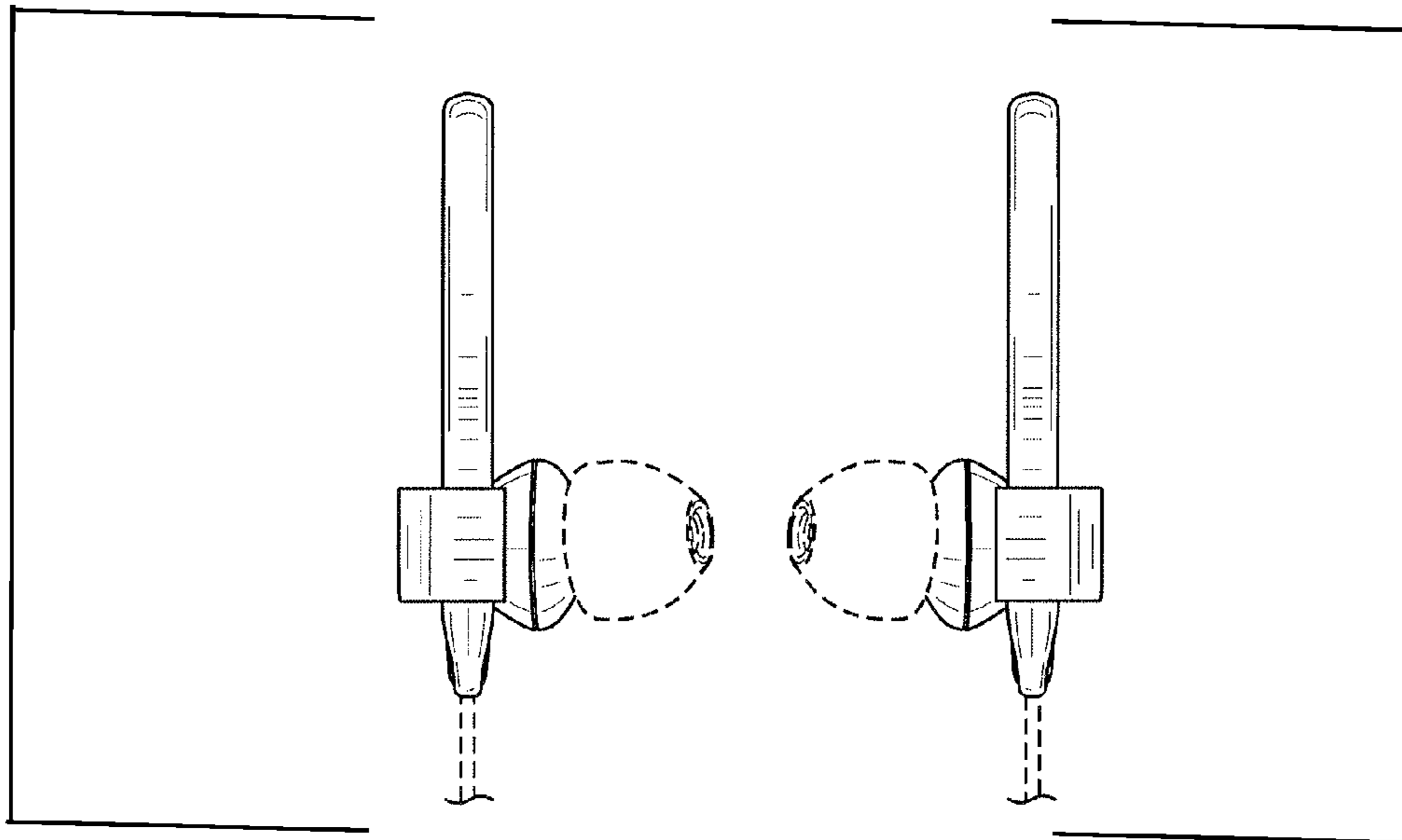


FIG. 2

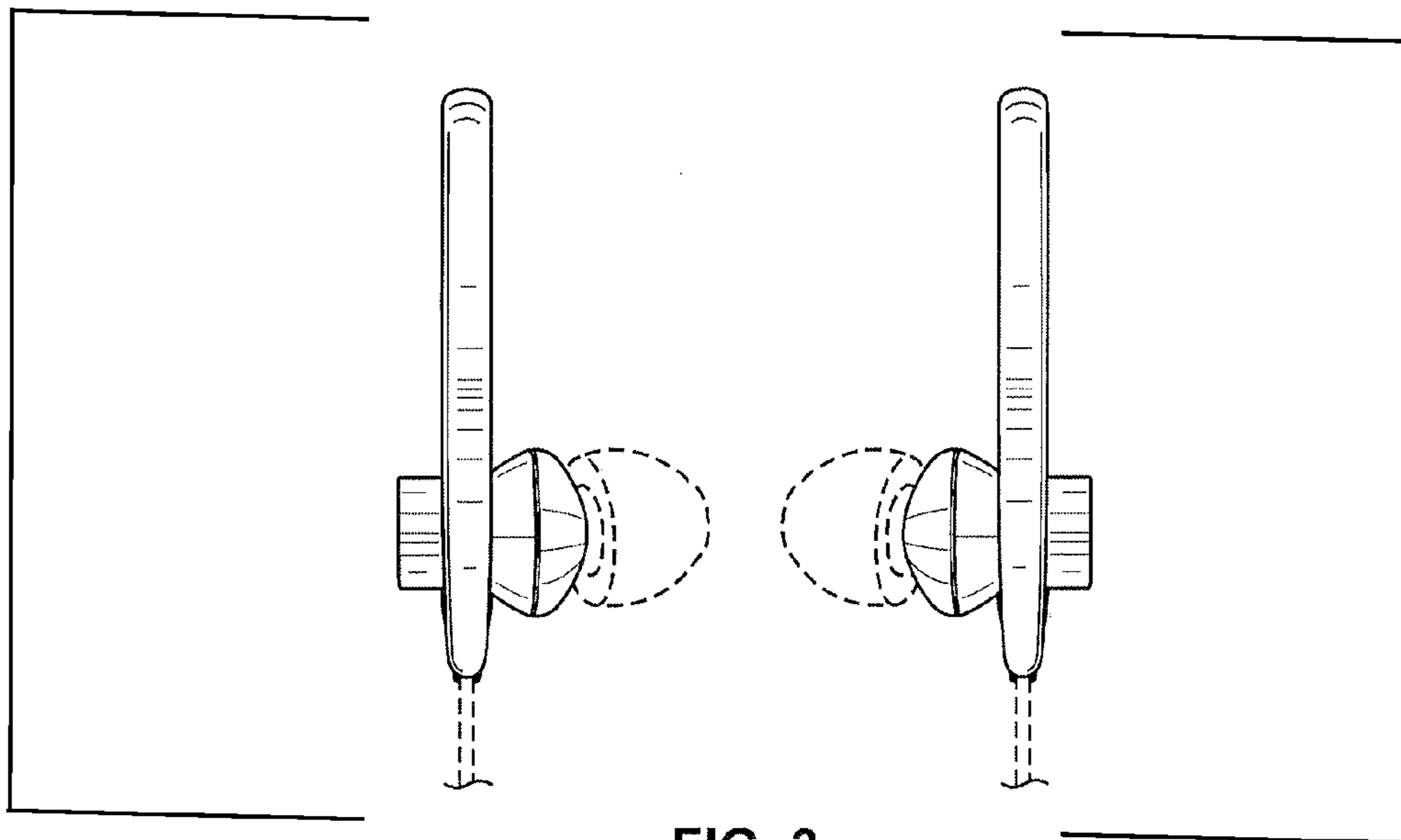


FIG. 3

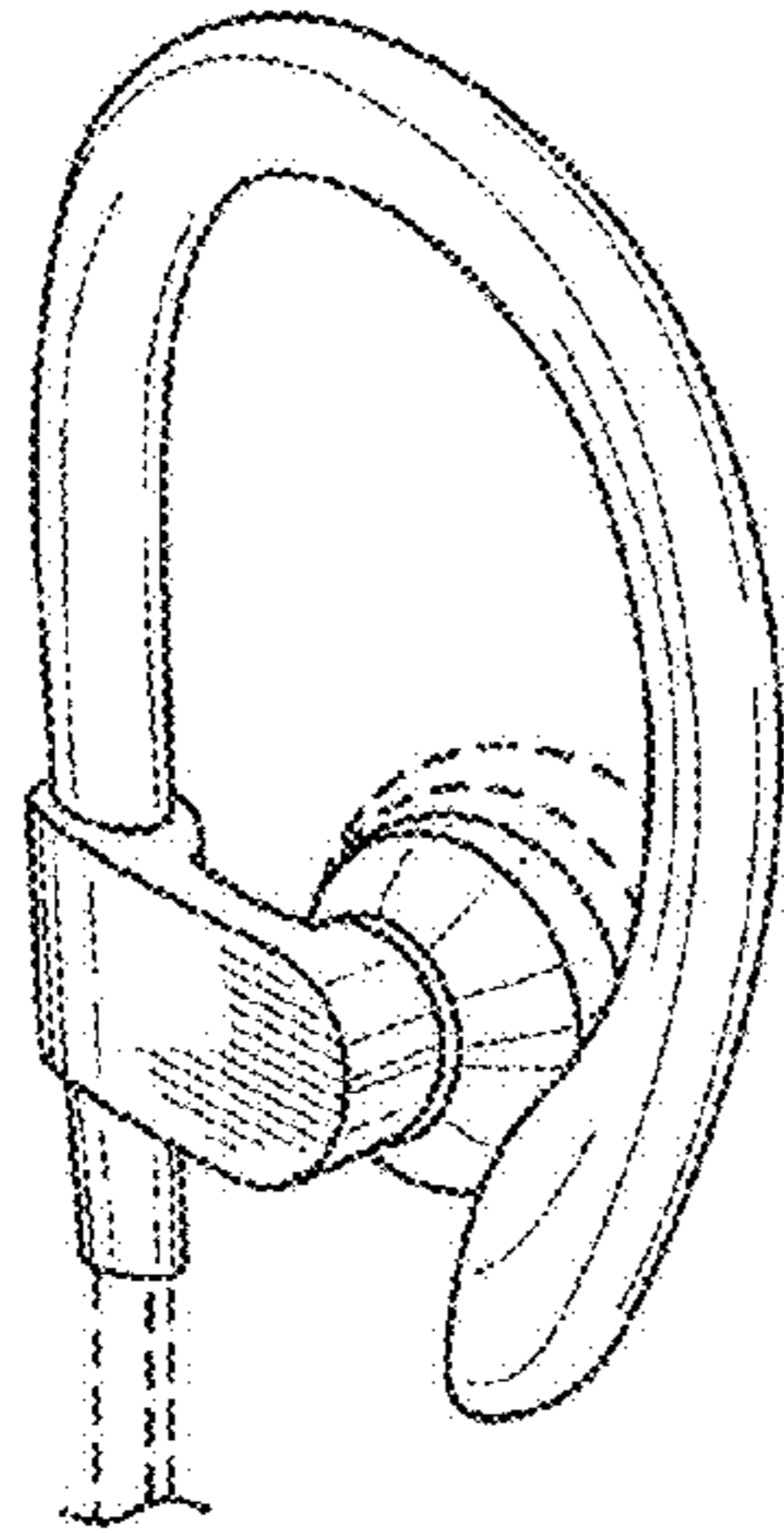


FIG. 4

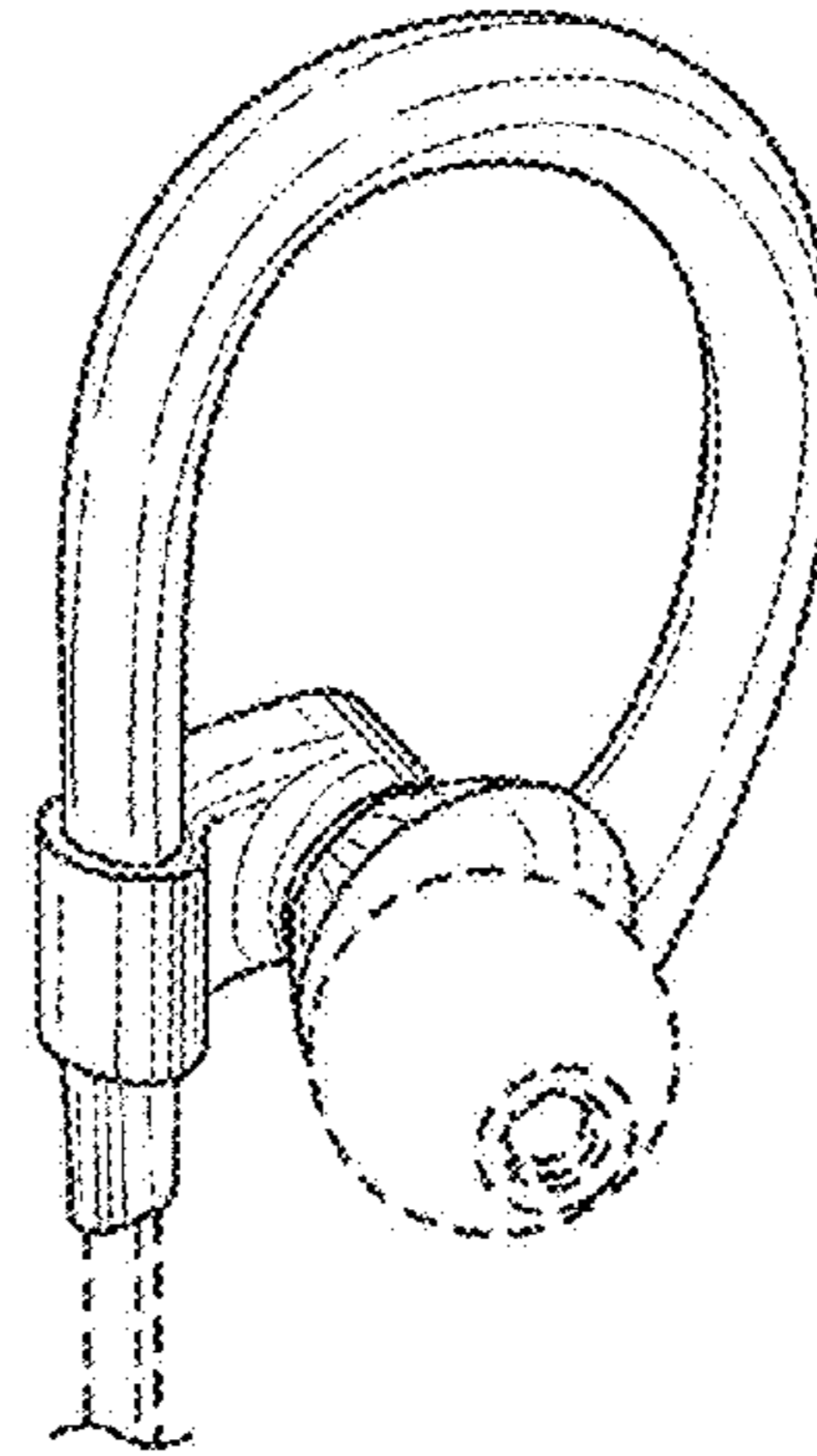


FIG. 5

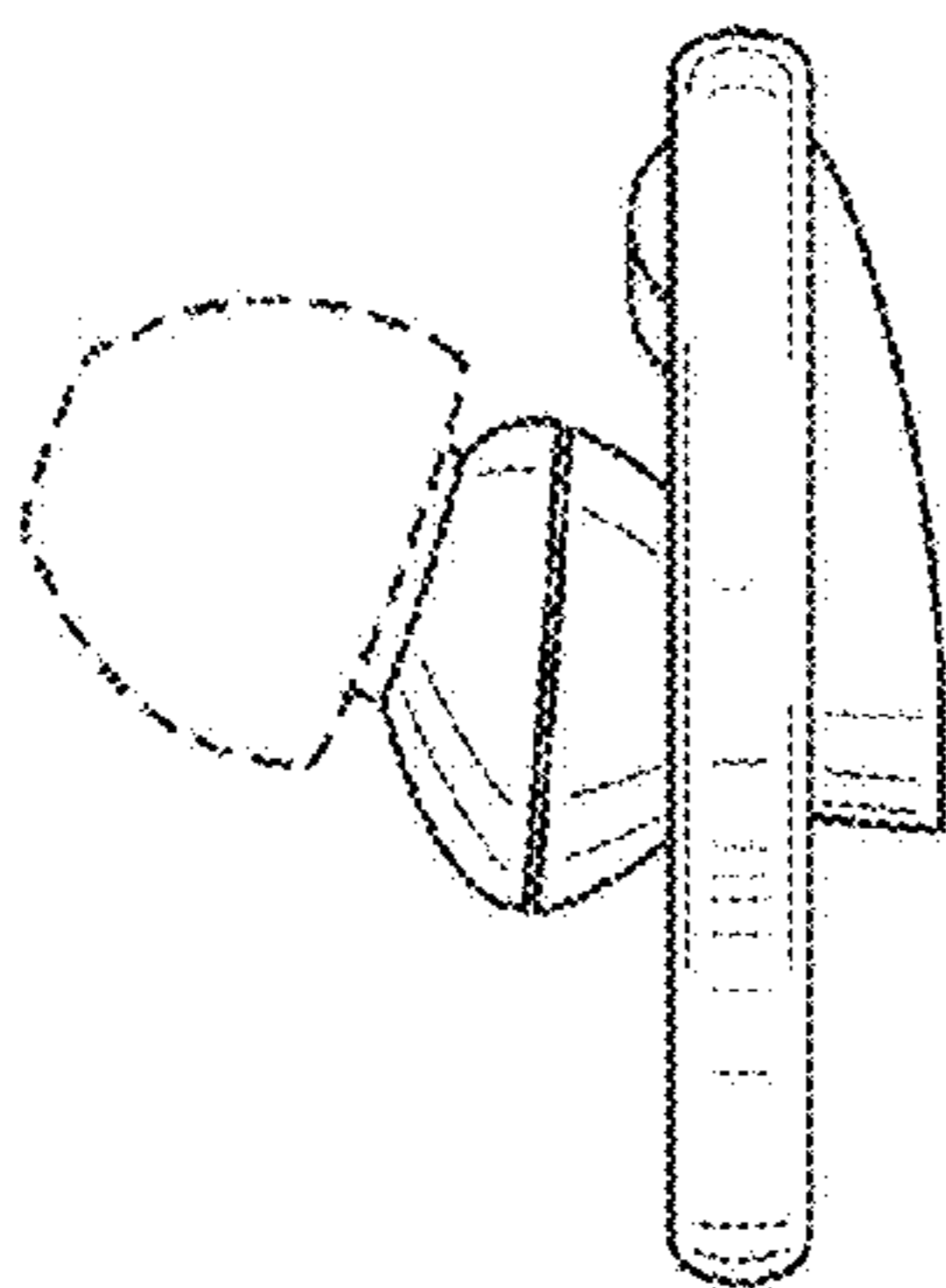


FIG. 6

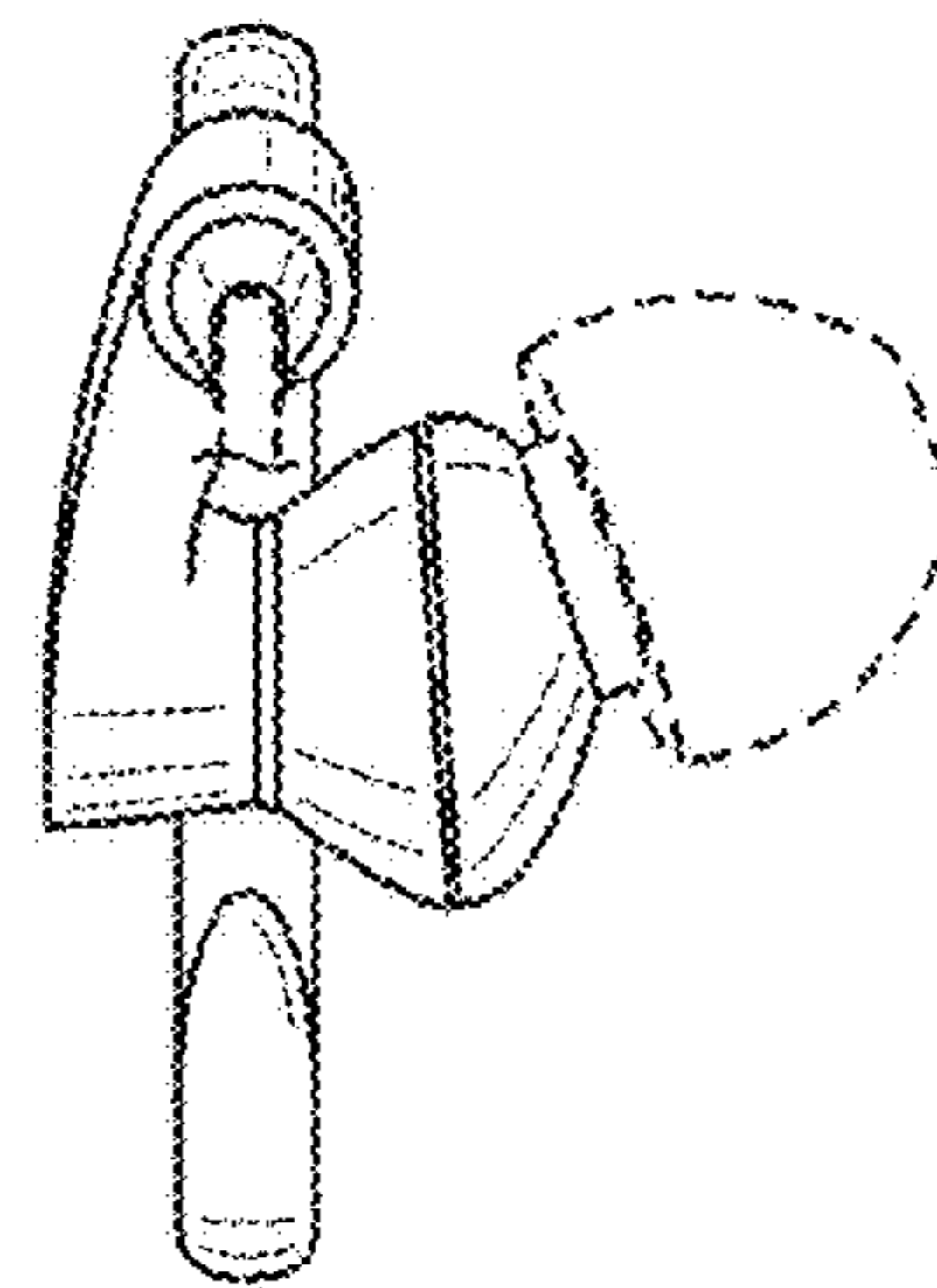


FIG. 7

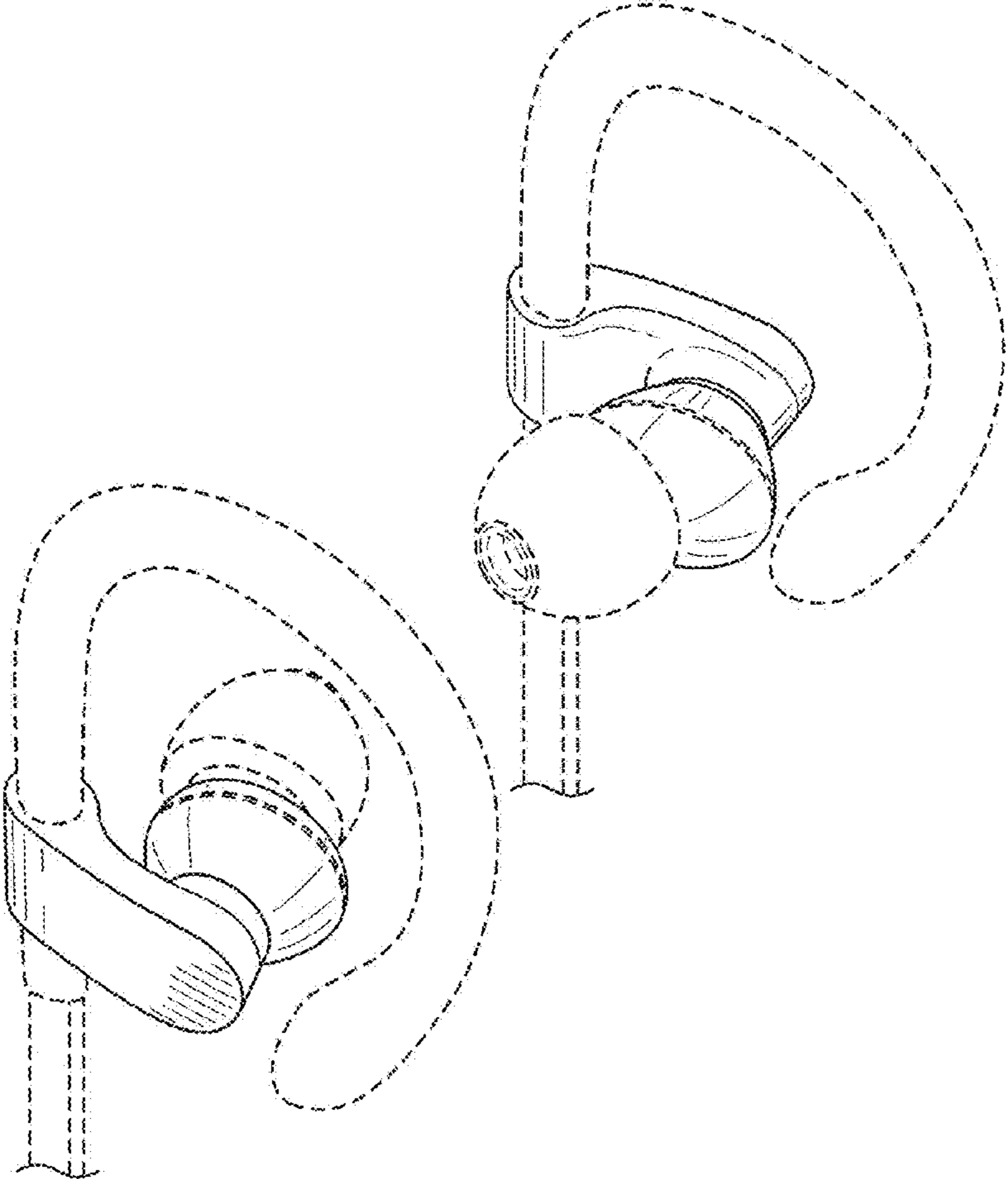


FIG. 8

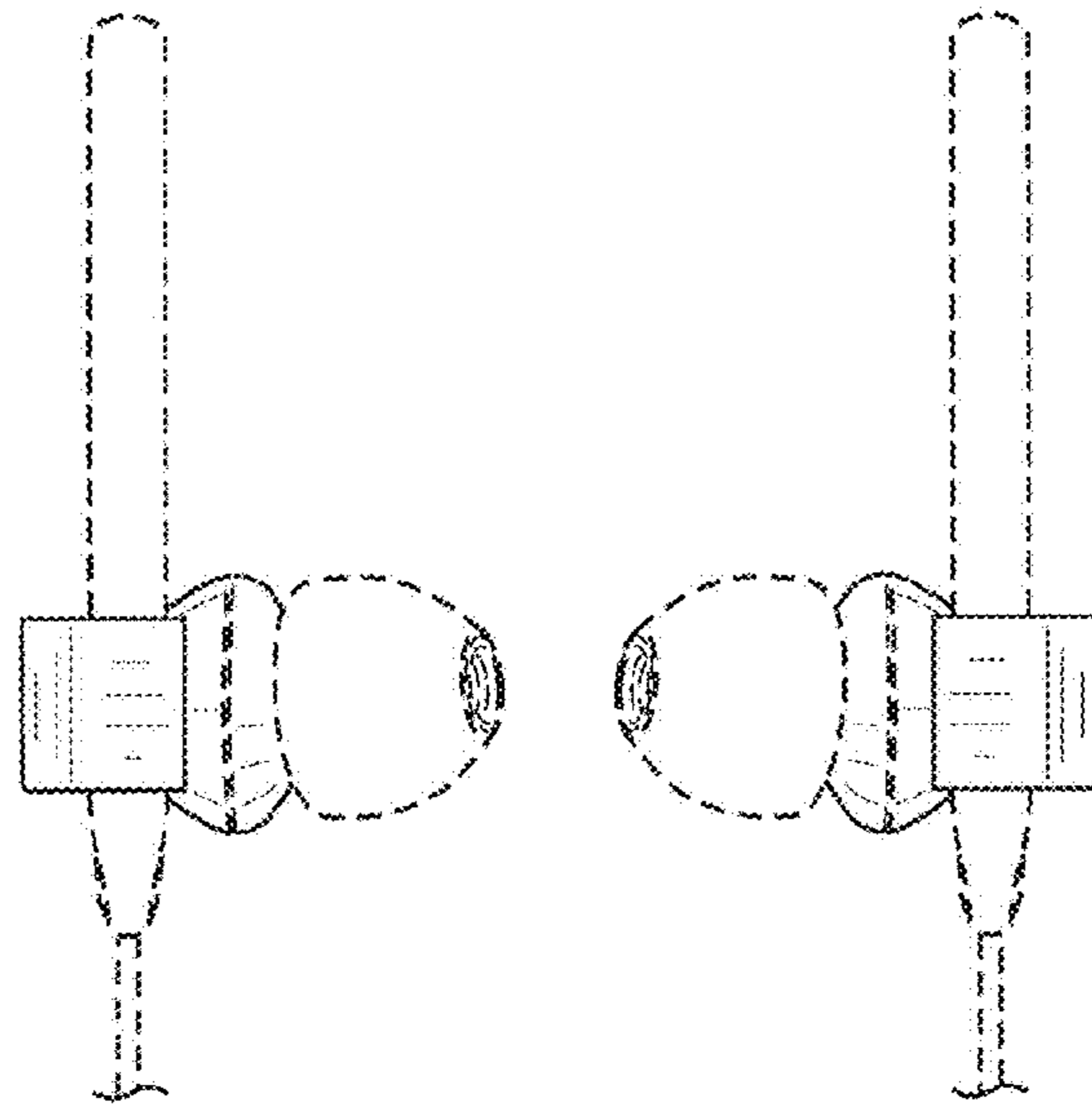


FIG. 9

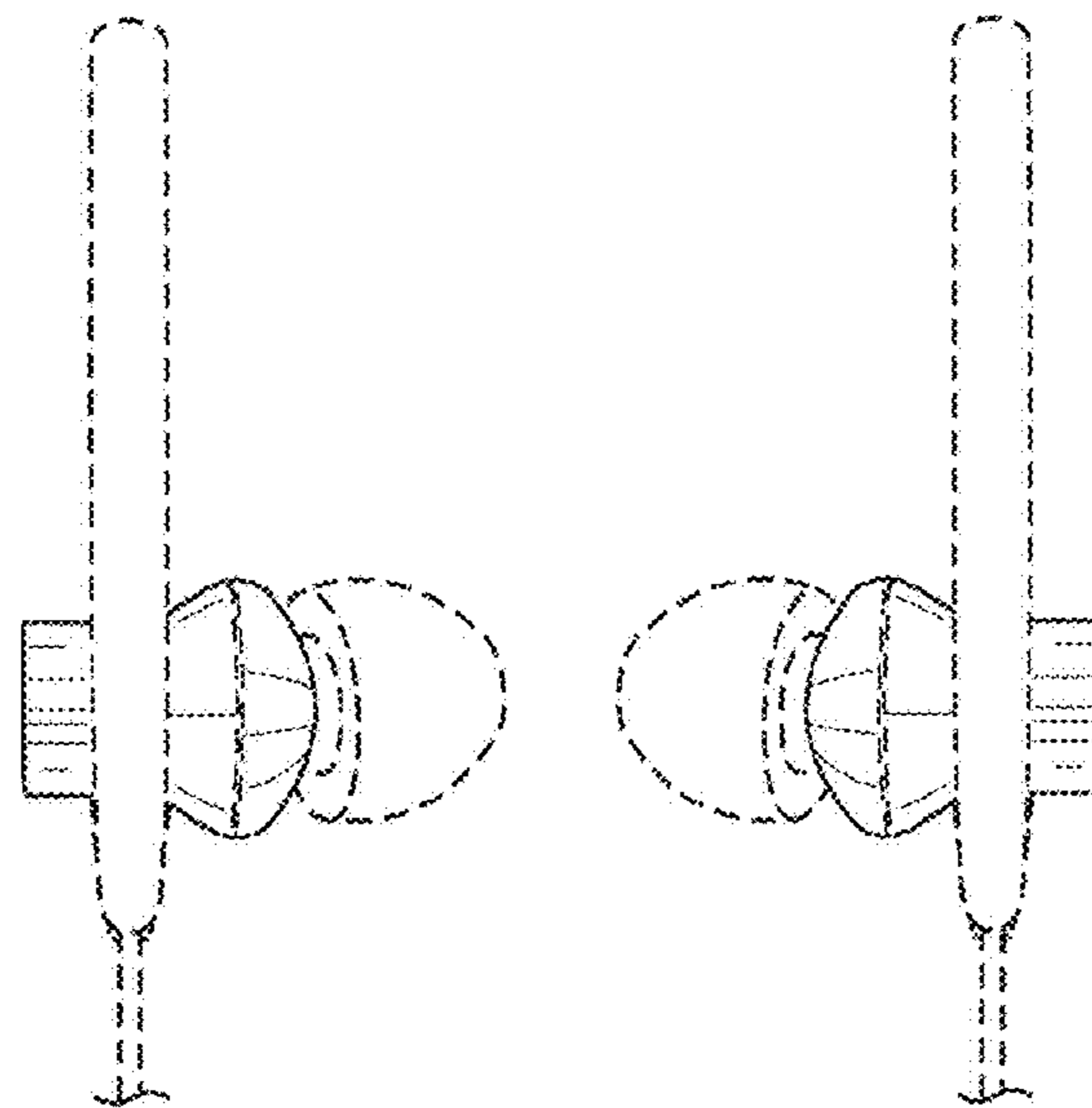


FIG. 10

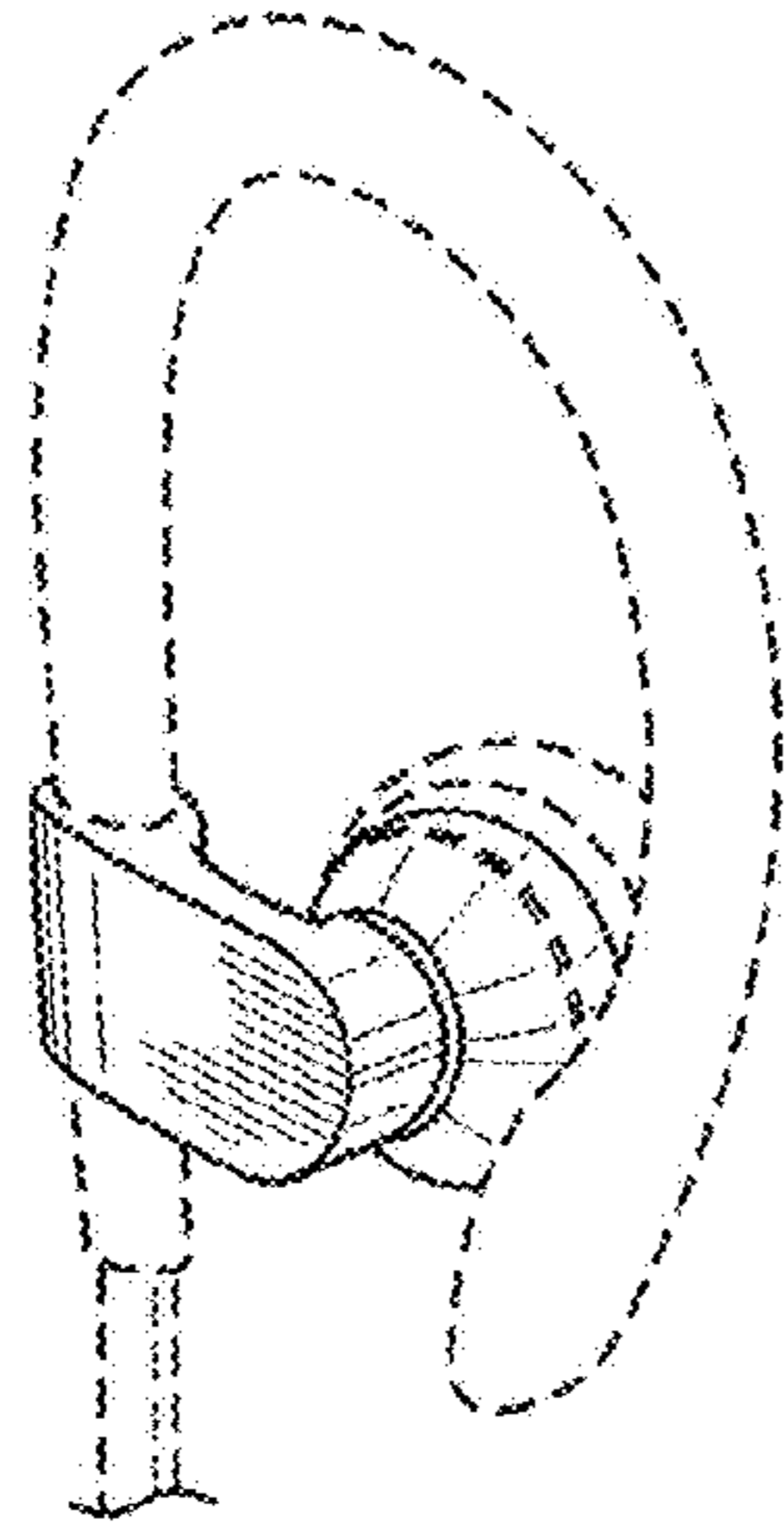


FIG. 11

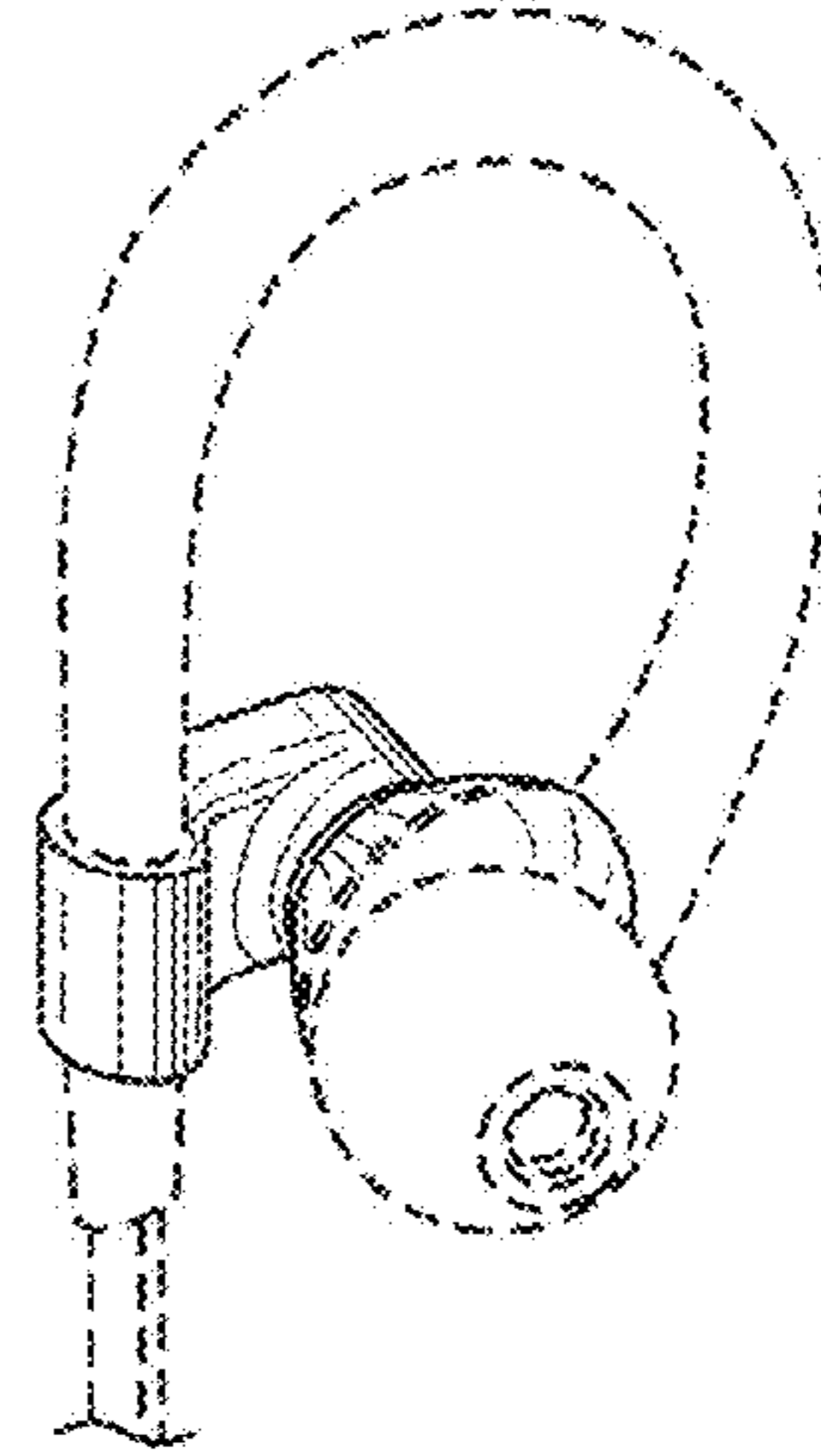


FIG. 12

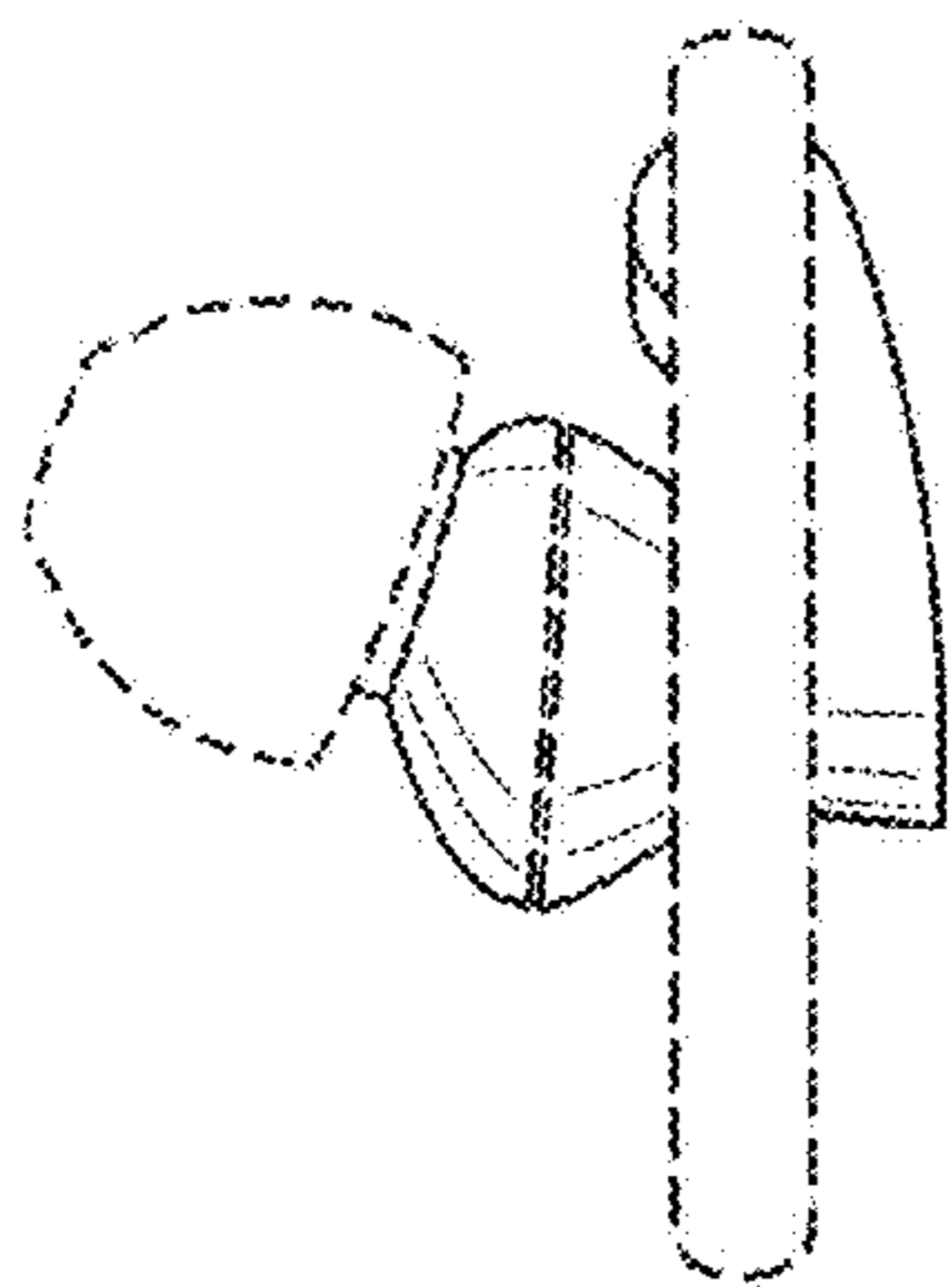


FIG. 13

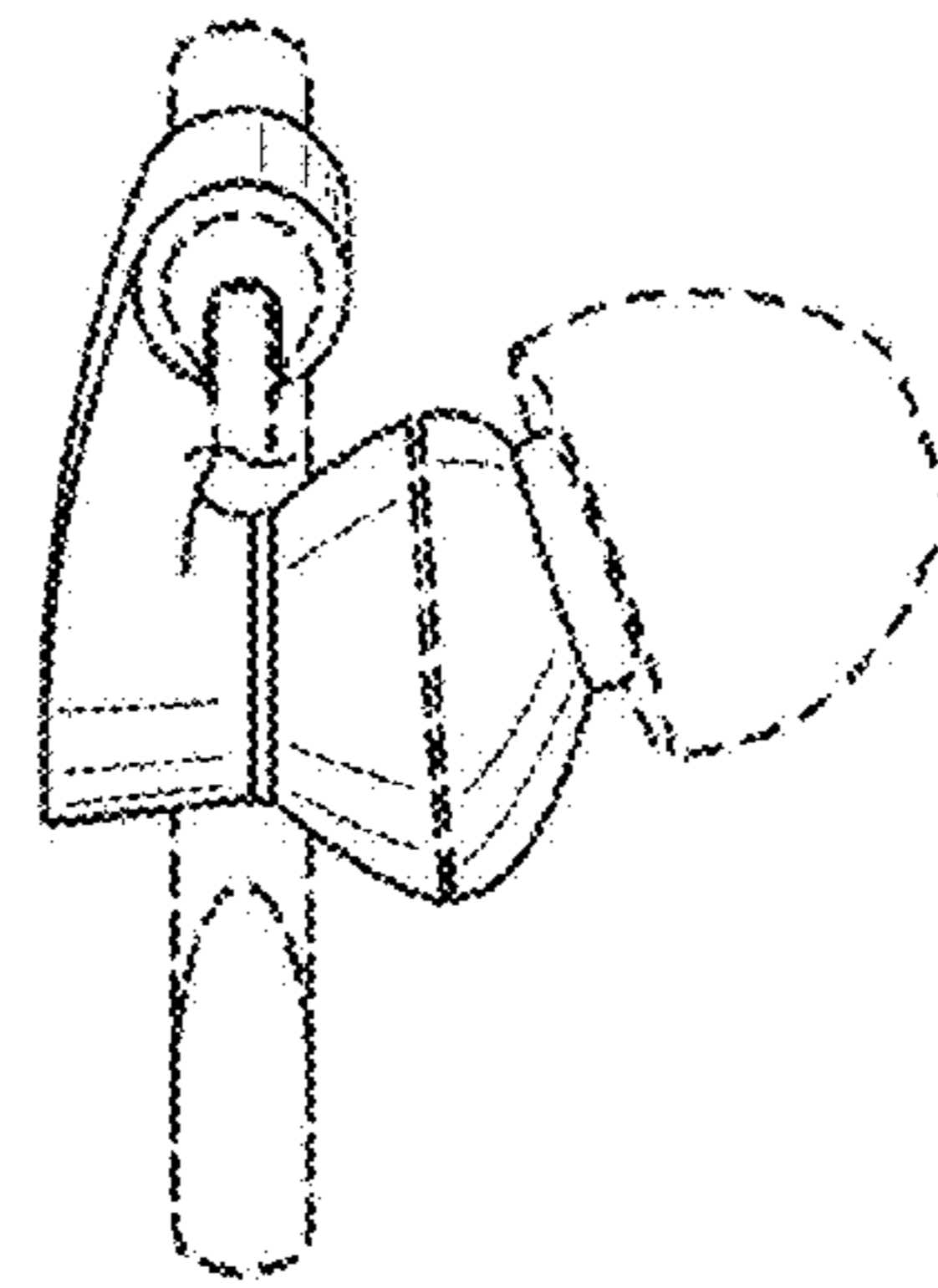


FIG. 14

UNITED STATES PATENT AND TRADEMARK OFFICE
CERTIFICATE OF CORRECTION

PATENT NO. : D712,382 S
APPLICATION NO. : 29/441334
DATED : September 2, 2014
INVENTOR(S) : Brunner et al.

Page 1 of 1

It is certified that error appears in the above-identified patent and that said Letters Patent is hereby corrected as shown below:

Title Page, item (57) replace the figure descriptions with the following:

- Fig. 1 is a perspective view of an audio listening system in accordance with the present invention;
- Fig. 2 is a front elevational view thereof;
- Fig. 3 is a rear elevational view thereof;
- Fig. 4 is a side perspective view of one earpiece of the audio listening system shown separately for purposes of illustration;
- Fig. 5 is an opposing side perspective view thereof;
- Fig. 6 is a top view thereof; and
- Fig. 7 is a bottom view thereof.

Title Page, under Description "1 Claims, 6 Drawing Sheets" should read
--1 Claims, 3 Drawing Sheets--.

In the Drawings
FIGS. 8-14 have been deleted/canceled.

Signed and Sealed this
Fifth Day of April, 2016



Michelle K. Lee
Director of the United States Patent and Trademark Office