



US00D712380S

(12) **United States Design Patent**
Hwang et al.

(10) **Patent No.:** **US D712,380 S**
(45) **Date of Patent:** **** Sep. 2, 2014**

- (54) **UNIVERSAL REMOTE CONTROL**
- (71) Applicant: **Superior Electronics Corporation,**
Taipei (TW)
- (72) Inventors: **Chien-Jong Hwang,** Taipei (TW);
Liang-Lun Hwang, Taipei (TW);
Shih-Ming Hwang, Taipei (TW)
- (73) Assignee: **Superior Electronics Corporation,**
Taipei (TW)
- (**) Term: **14 Years**
- (21) Appl. No.: **29/485,351**
- (22) Filed: **Mar. 18, 2014**
- (51) **LOC (10) Cl.** **14-03**
- (52) **U.S. Cl.**
USPC **D14/218**
- (58) **Field of Classification Search**
USPC D14/218, 137-139, 174, 151, 191-193,
D14/299, 167, 168; D13/168, 162-164;
D21/512-517, 566; D10/104, 106;
455/352-355, 151.1-151.4, 128, 347,
455/90.3; 348/114, 734
See application file for complete search history.

D482,336 S *	11/2003	Stekelenburg	D13/168
D498,747 S *	11/2004	Lin	D14/218
D548,195 S *	8/2007	Poulet	D13/168
D595,669 S *	7/2009	Endo et al.	D13/168
D607,845 S *	1/2010	Daniels	D13/168
D621,371 S *	8/2010	Sheppard et al.	D13/168
D624,601 S *	9/2010	Grossman	D21/333
D624,903 S *	10/2010	Wlotzka	D14/218
D626,942 S *	11/2010	Aquillano et al.	D14/218
D648,326 S *	11/2011	Sung et al.	D14/218
D668,243 S *	10/2012	Aquillano	D14/218
D672,753 S *	12/2012	Kadivar et al.	D14/218
8,330,638 B2 *	12/2012	Altonen et al.	341/176
D679,261 S *	4/2013	McDonald et al.	D13/168
D681,608 S *	5/2013	Takami et al.	D14/218
D694,198 S *	11/2013	Felegy et al.	D13/168
D703,189 S *	4/2014	Won et al.	D14/218

* cited by examiner

Primary Examiner — John Windmuller

(74) *Attorney, Agent, or Firm* — Chun-Ming Shih

(57) **CLAIM**

The ornamental design for a universal remote control, as shown and described.

DESCRIPTION

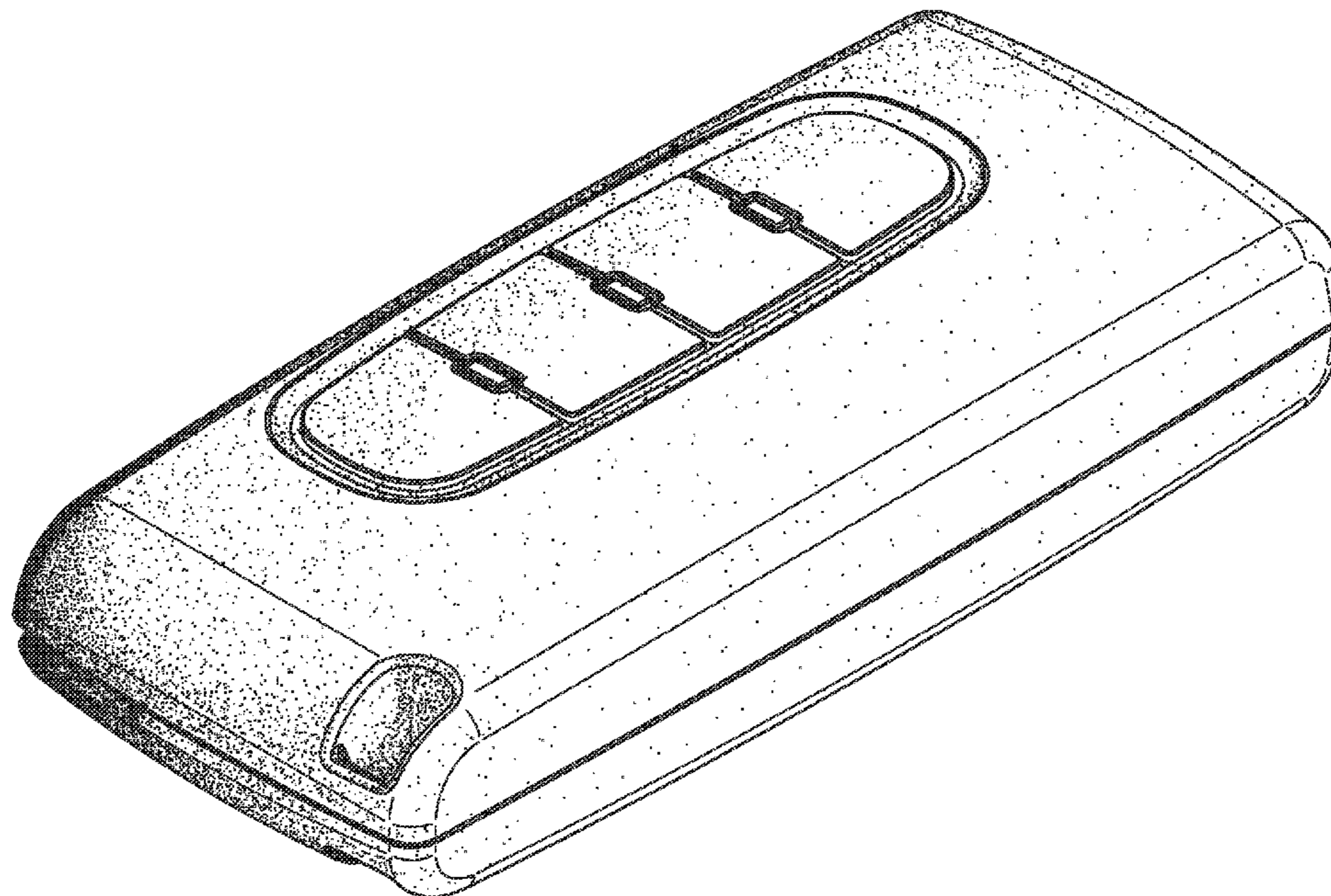
FIG. 1 is a front right perspective view of a universal remote control showing my new design;
 FIG. 2 is a front view thereof;
 FIG. 3 is a rear view thereof;
 FIG. 4 is a left side elevation view thereof;
 FIG. 5 is a right side elevation view thereof;
 FIG. 6 is a top plan view thereof; and,
 FIG. 7 is a bottom plan view thereof.

1 Claim, 7 Drawing Sheets

(56) **References Cited**

U.S. PATENT DOCUMENTS

D355,895 S *	2/1995	Soren et al.	D14/240
D415,735 S *	10/1999	Zuege	D13/168
D418,144 S *	12/1999	Allen et al.	D14/456
D448,757 S *	10/2001	Okubo	D14/511



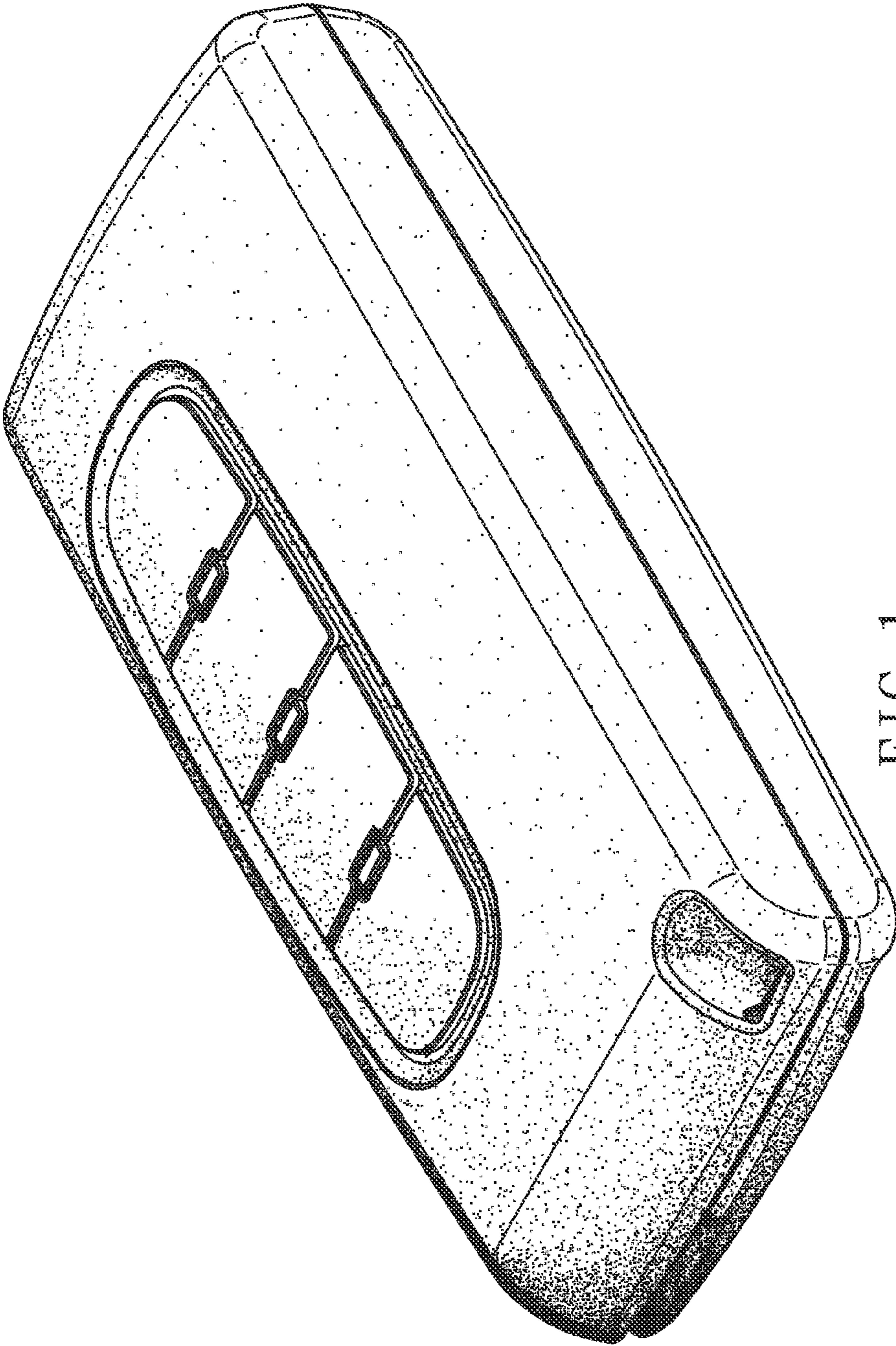


FIG. 1

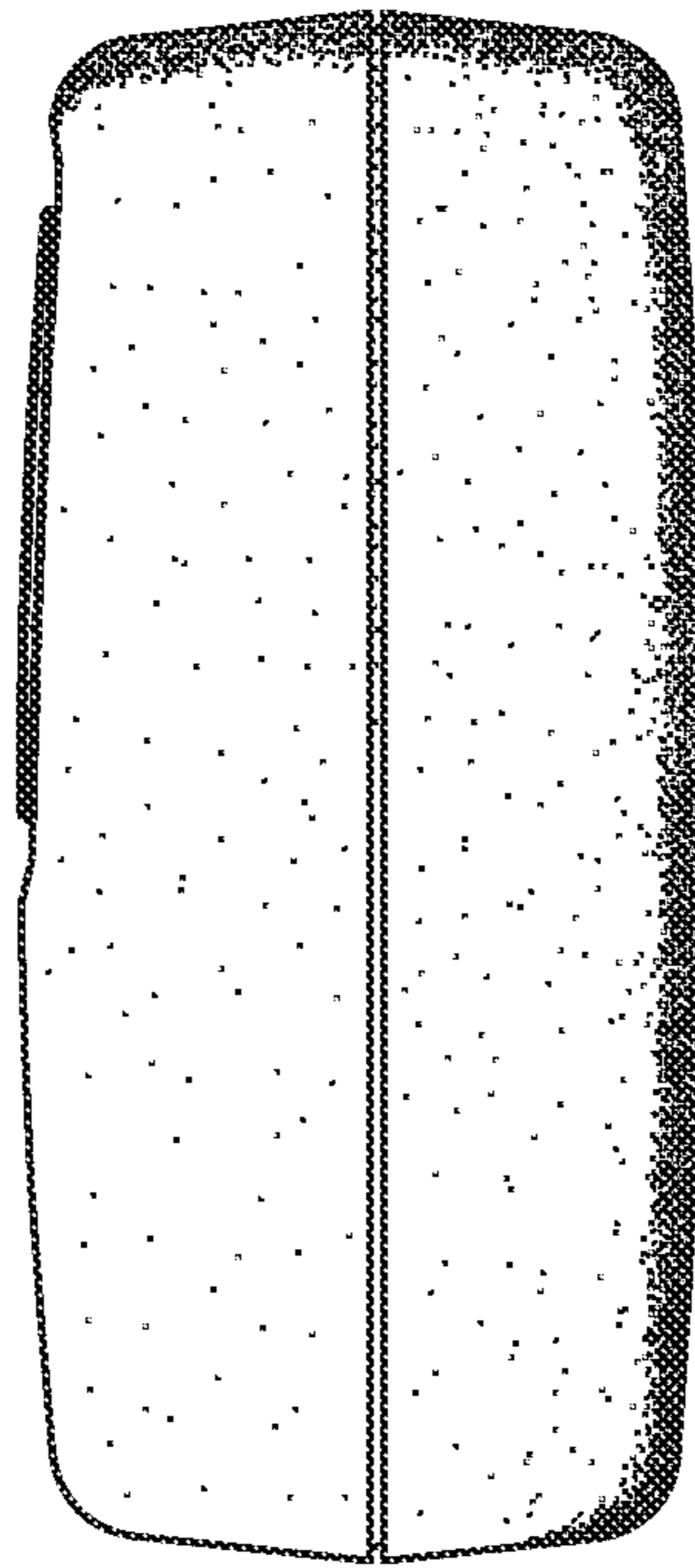


FIG. 2

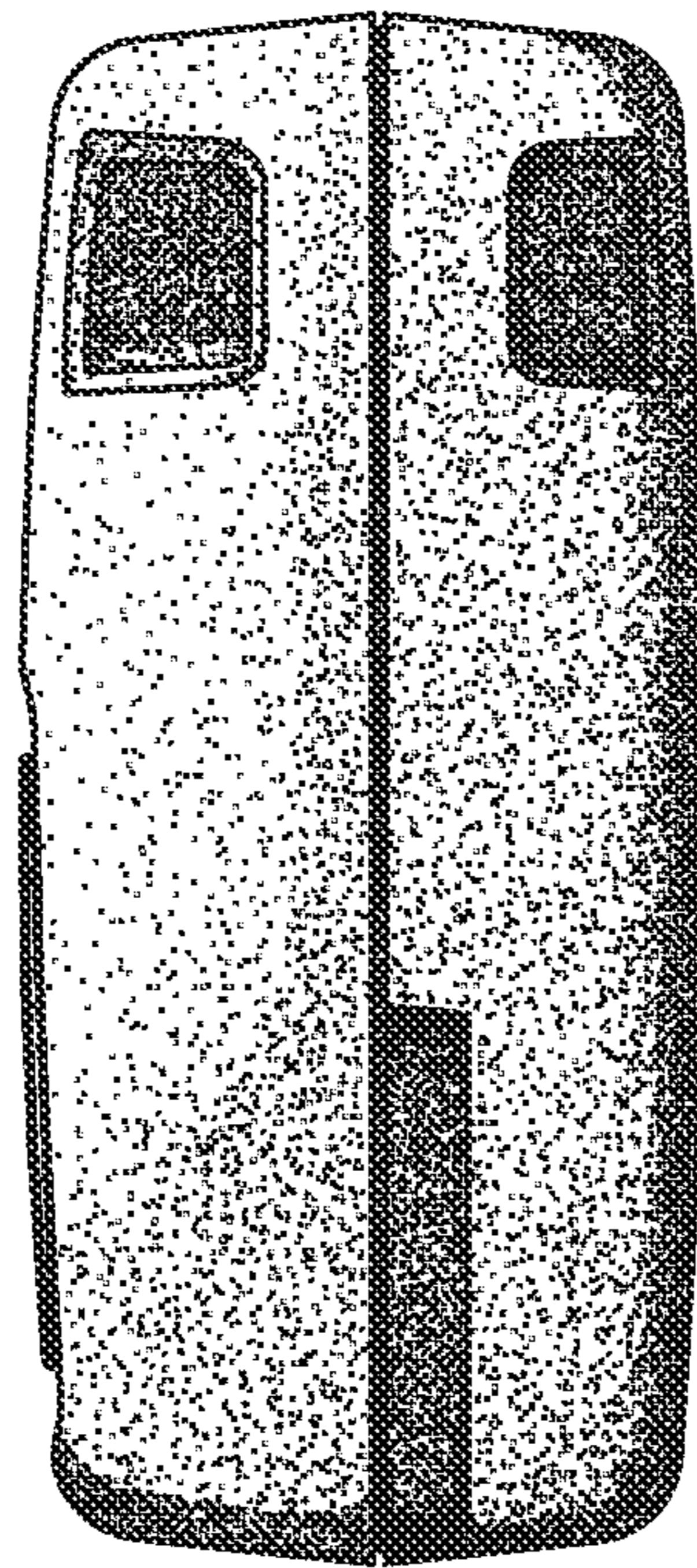


FIG. 3

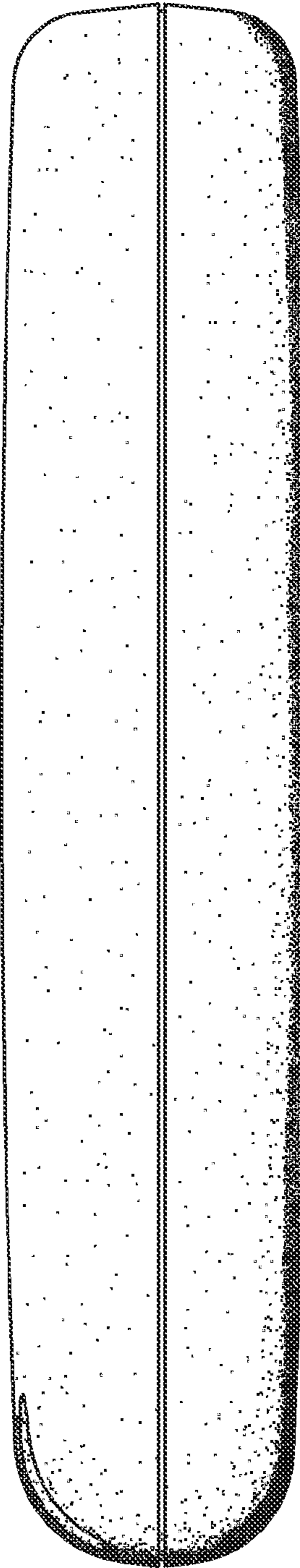


FIG. 4

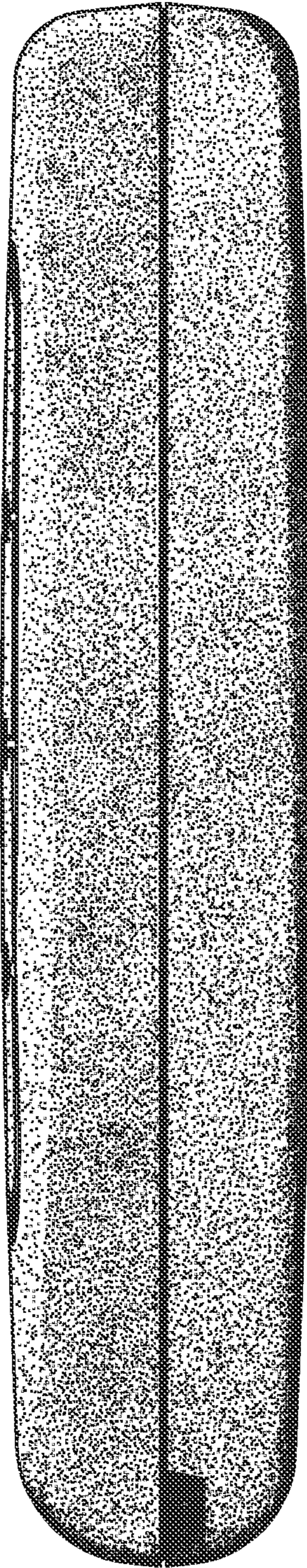


FIG. 5

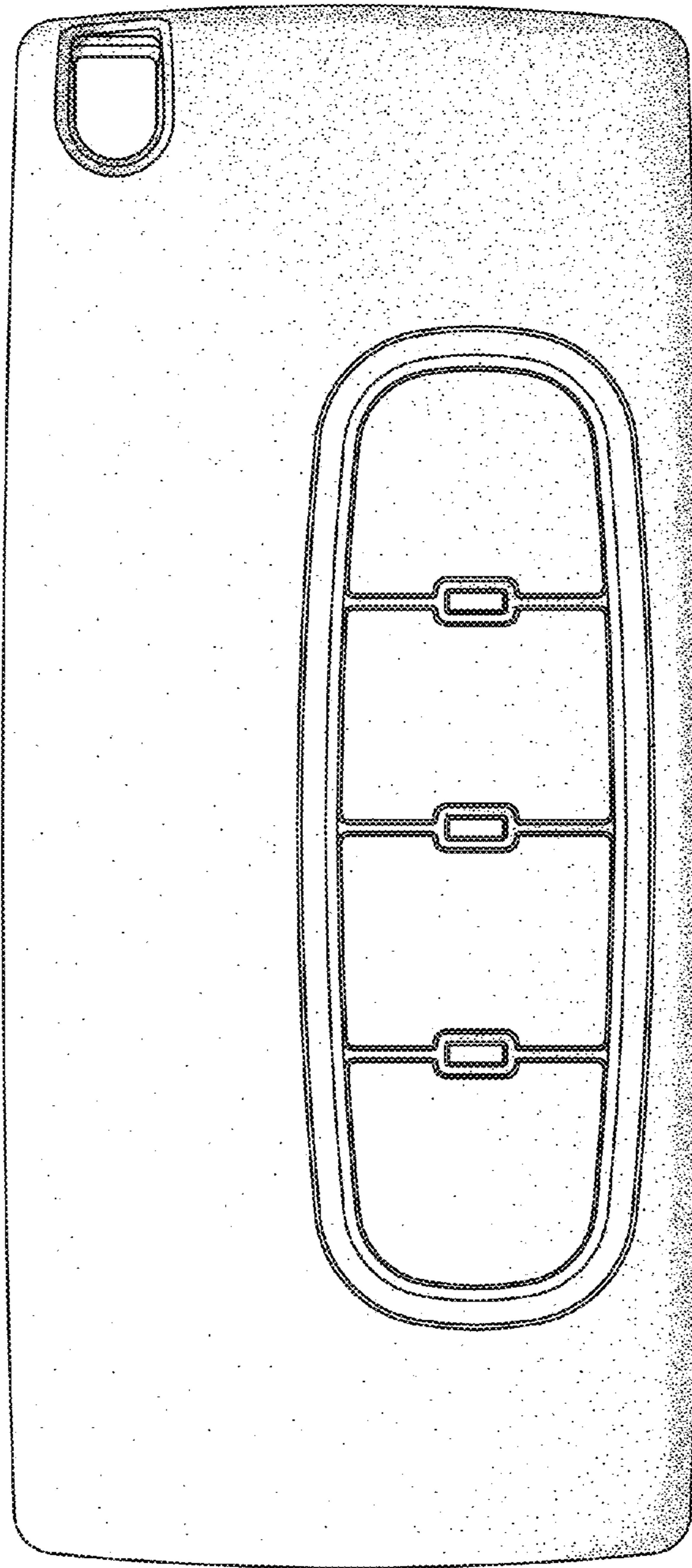


FIG. 6

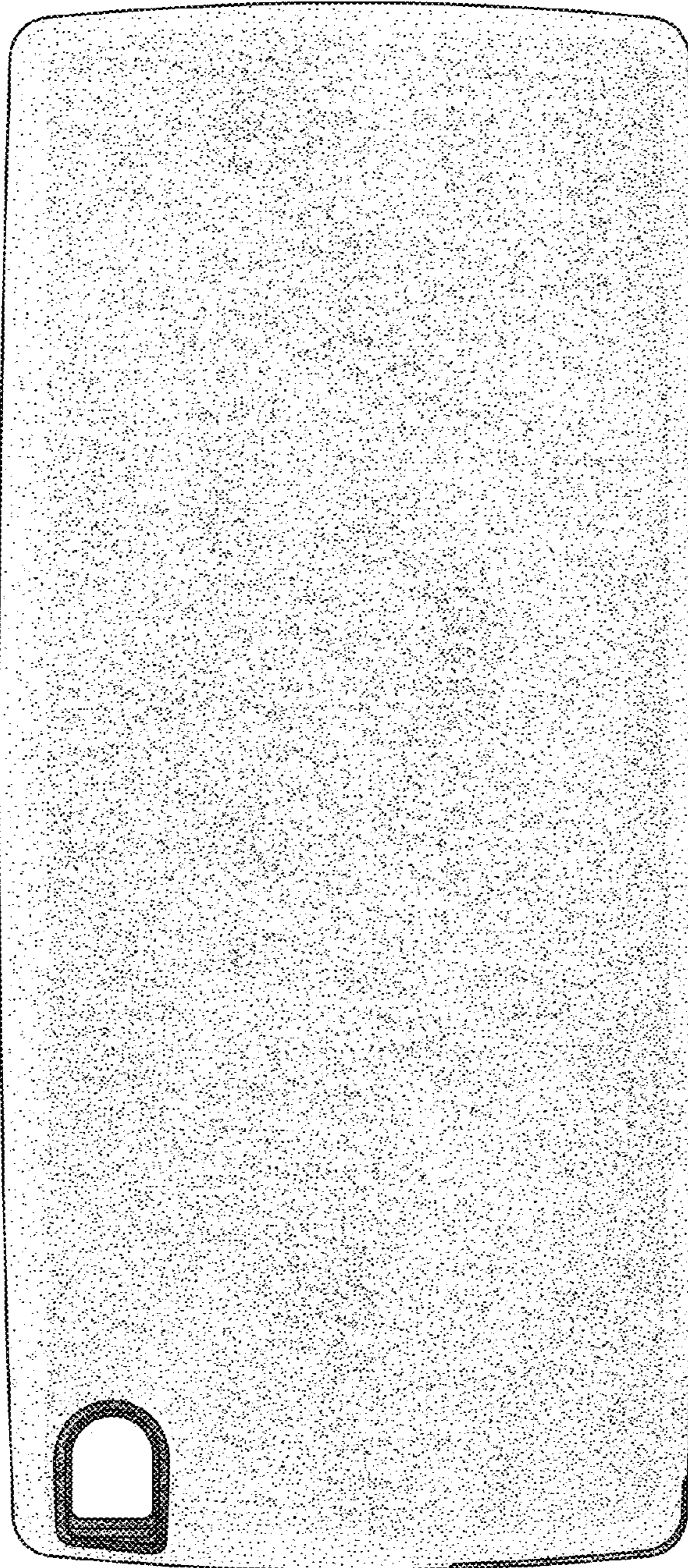


FIG. 7