



US00D712378S

(12) **United States Design Patent**  
**Mackiewicz et al.**

(10) **Patent No.:** **US D712,378 S**

(45) **Date of Patent:** **\*\* Sep. 2, 2014**

(54) **LOUDSPEAKER**

381/333, 336, 345, 361–364, 386–388;  
369/6–12

(71) Applicant: **Harman International Industries, Incorporated**, Northridge, CA (US)

See application file for complete search history.

(72) Inventors: **Damian Mackiewicz**, Shenzhen (CN);  
**Cyrille Rouffiat**, Shenzhen (CN)

(56) **References Cited**

U.S. PATENT DOCUMENTS

(73) Assignee: **Harman International Industries, Incorporated**, Northridge, CA (US)

D270,532	S	*	9/1983	Weinstein	.....	D14/214
D510,926	S	*	10/2005	Jerome	.....	D14/500
D574,363	S	*	8/2008	Laituri et al.	.....	D14/216
D633,084	S	*	2/2011	Chen	.....	D14/216
D633,473	S	*	3/2011	Takeshi Yeung	.....	D14/207
D639,273	S	*	6/2011	Chow	.....	D14/209.1
D647,502	S	*	10/2011	Holzer	.....	D14/171
D696,646	S	*	12/2013	Deguchi	.....	D14/216
D697,053	S	*	1/2014	Brickstad	.....	D14/215
D700,591	S	*	3/2014	Xiao et al.	.....	D14/216

(\*\*) Term: **14 Years**

\* cited by examiner

(21) Appl. No.: **29/464,980**

(22) Filed: **Aug. 22, 2013**

*Primary Examiner* — Keli L Hill

(51) **LOC (10) Cl.** ..... **14-03**

(74) *Attorney, Agent, or Firm* — Plumsea Law Group, LLC

(52) **U.S. Cl.**  
USPC ..... **D14/216**

(57) **CLAIM**

(58) **Field of Classification Search**

The ornamental design for a loudspeaker, as shown and described.

CPC .... B60R 11/0217; H04M 1/03; H04M 1/035;  
H04N 5/642; H04N 21/4852; H04R 1/02;  
H04R 1/06; H04R 1/021; H04R 1/025;  
H04R 1/026; H04R 1/028; H04R 1/105;  
H04R 1/323; H04R 1/403; H04R 1/2803;  
H04R 1/2834; H04R 5/02; H04R 7/20;  
H04R 9/06; H04R 9/025; H04R 2201/021;  
H04R 2400/00; H04R 2400/07; H04R  
2499/11; H04R 2499/13; H04R 2499/15;  
H04S 3/00; H04S 7/30; G06F 1/1688  
USPC ..... D14/167, 168, 170–172, 188, 194–196,  
D14/204, 207, 209.1, 210–216, 221, 222,  
D14/224; 181/143, 144, 147, 148, 150, 153,  
181/157, 198, 199; 381/300–303, 306, 332,

**DESCRIPTION**

FIG. 1 is a perspective view of a loudspeaker showing our new design;

FIG. 2 is a front elevational view thereof;

FIG. 3 is a side elevational view of one side thereof;

FIG. 4 is a side elevational view of the opposite side thereof;

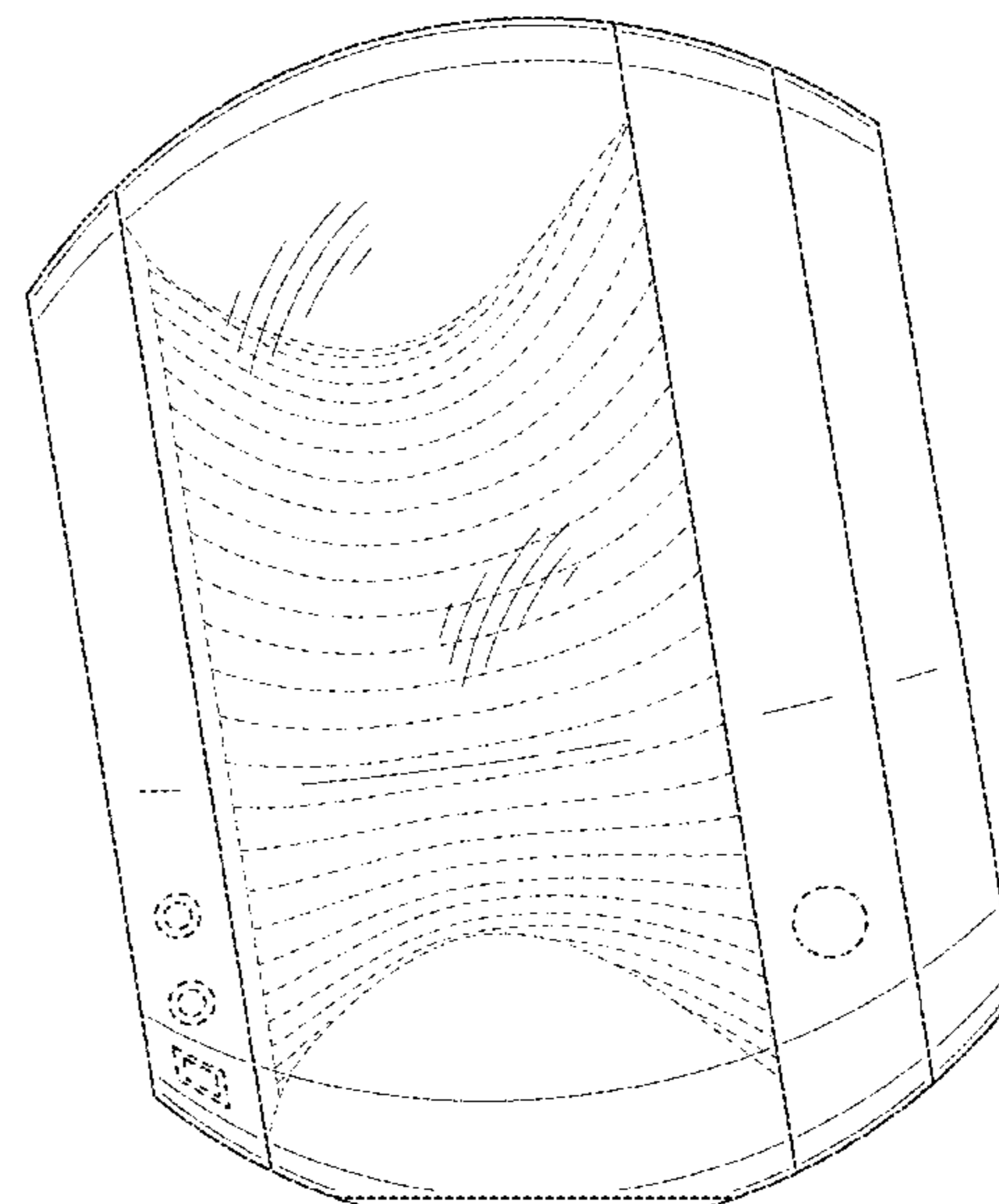
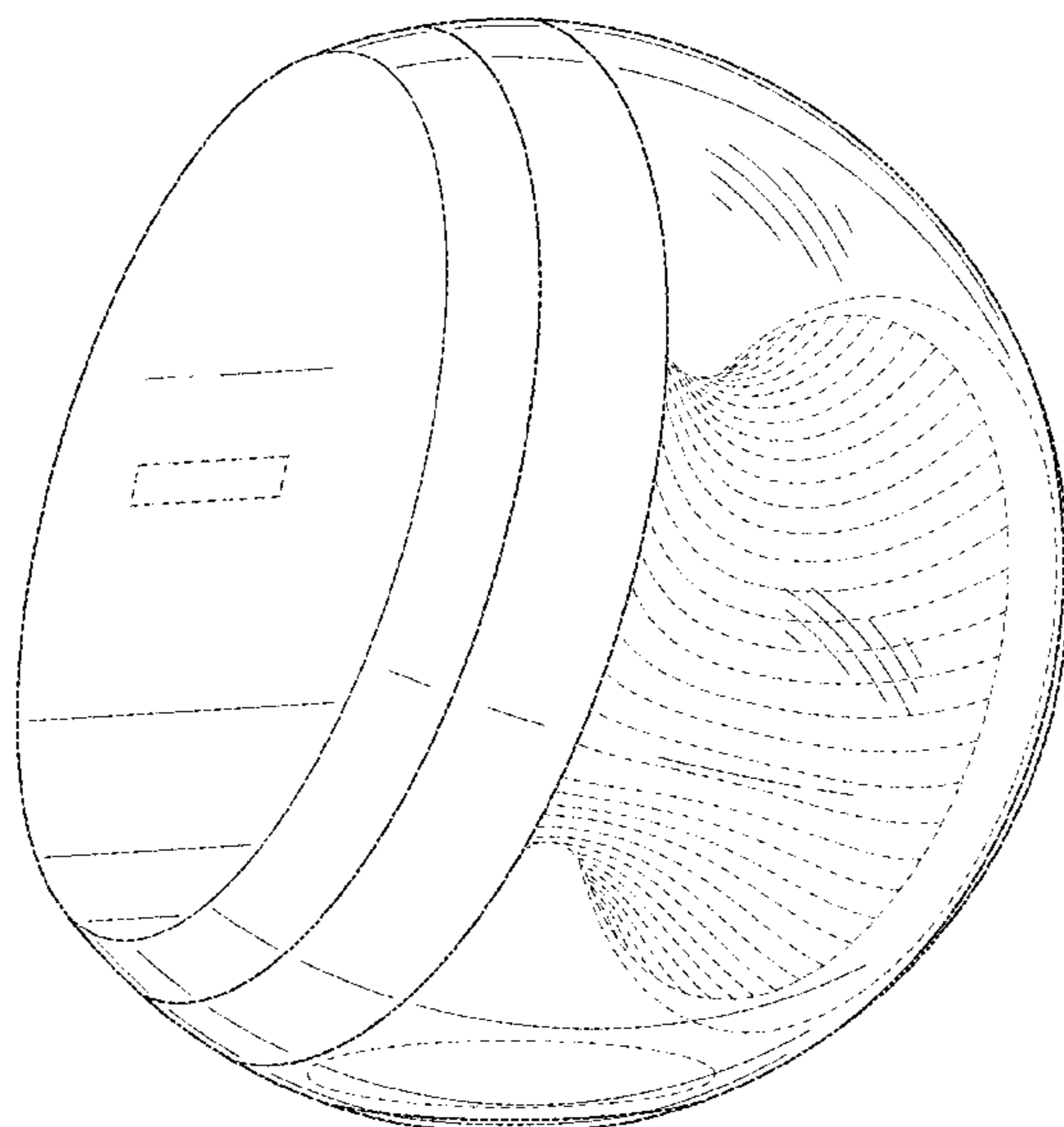
FIG. 5 is a top plan view thereof;

FIG. 6 is a bottom plan view thereof; and,

FIG. 7 is a rear elevational view thereof.

The broken line showings form no part of the claimed design.

**1 Claim, 7 Drawing Sheets**



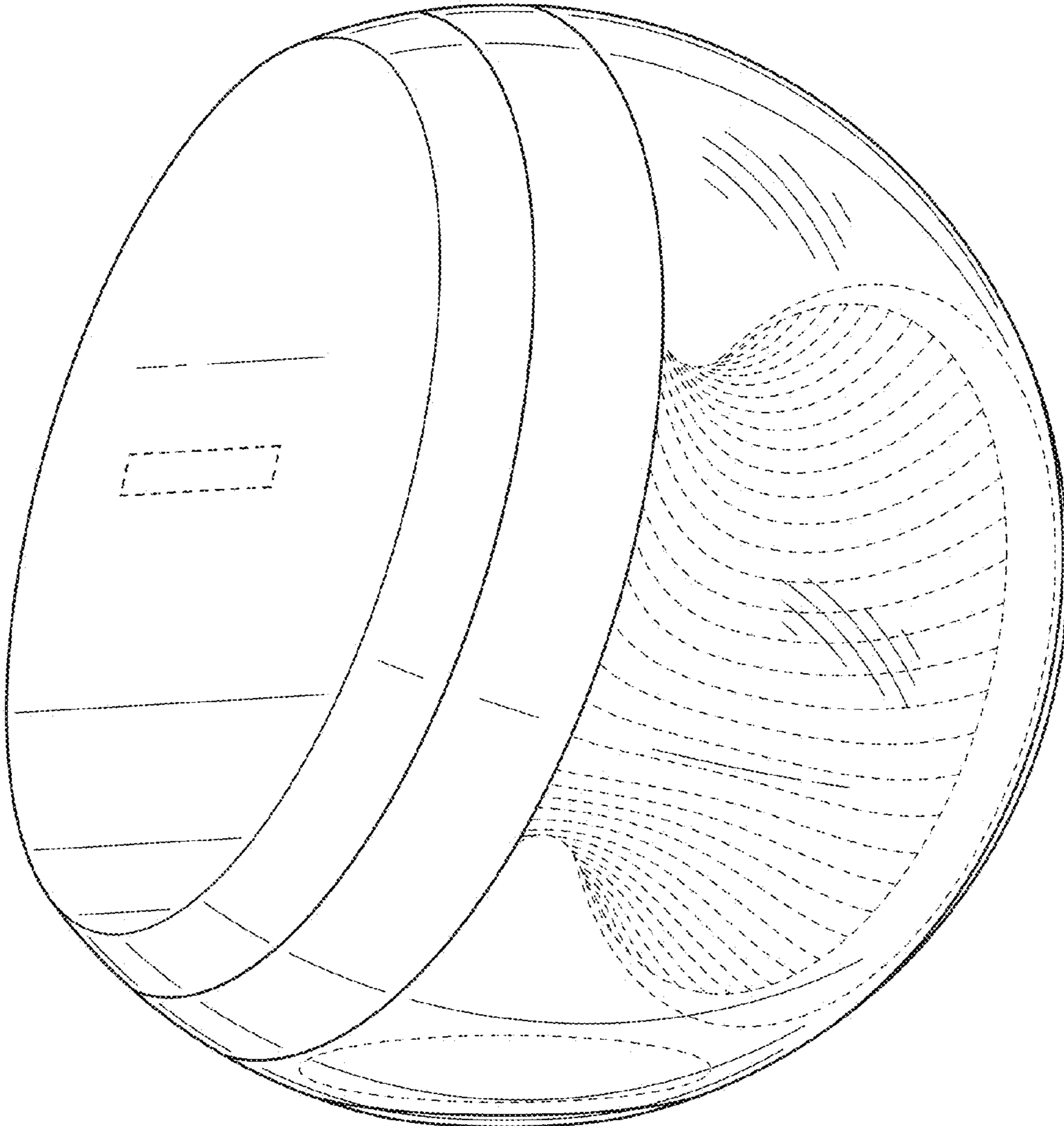


FIG. 1

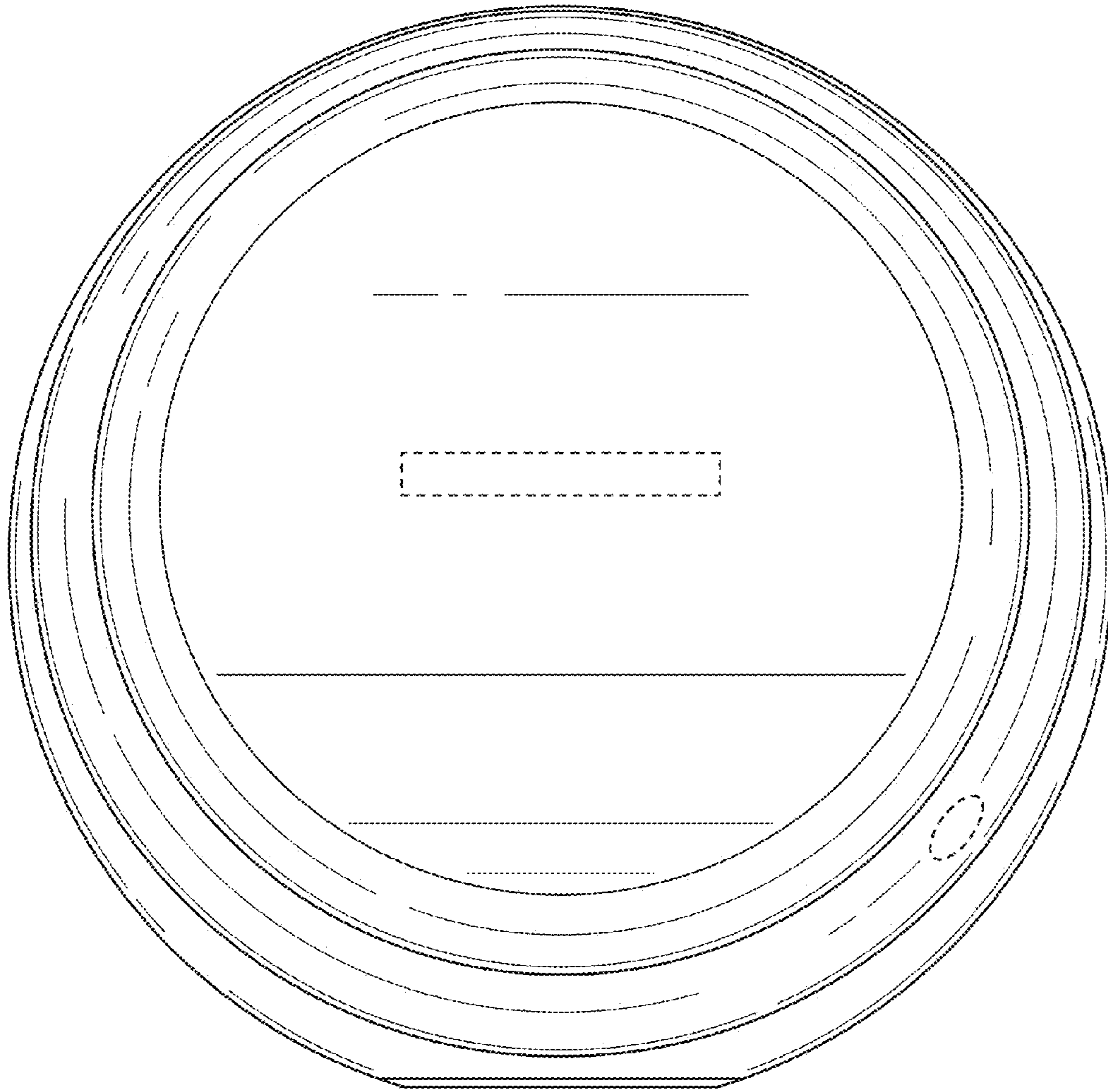


FIG. 2

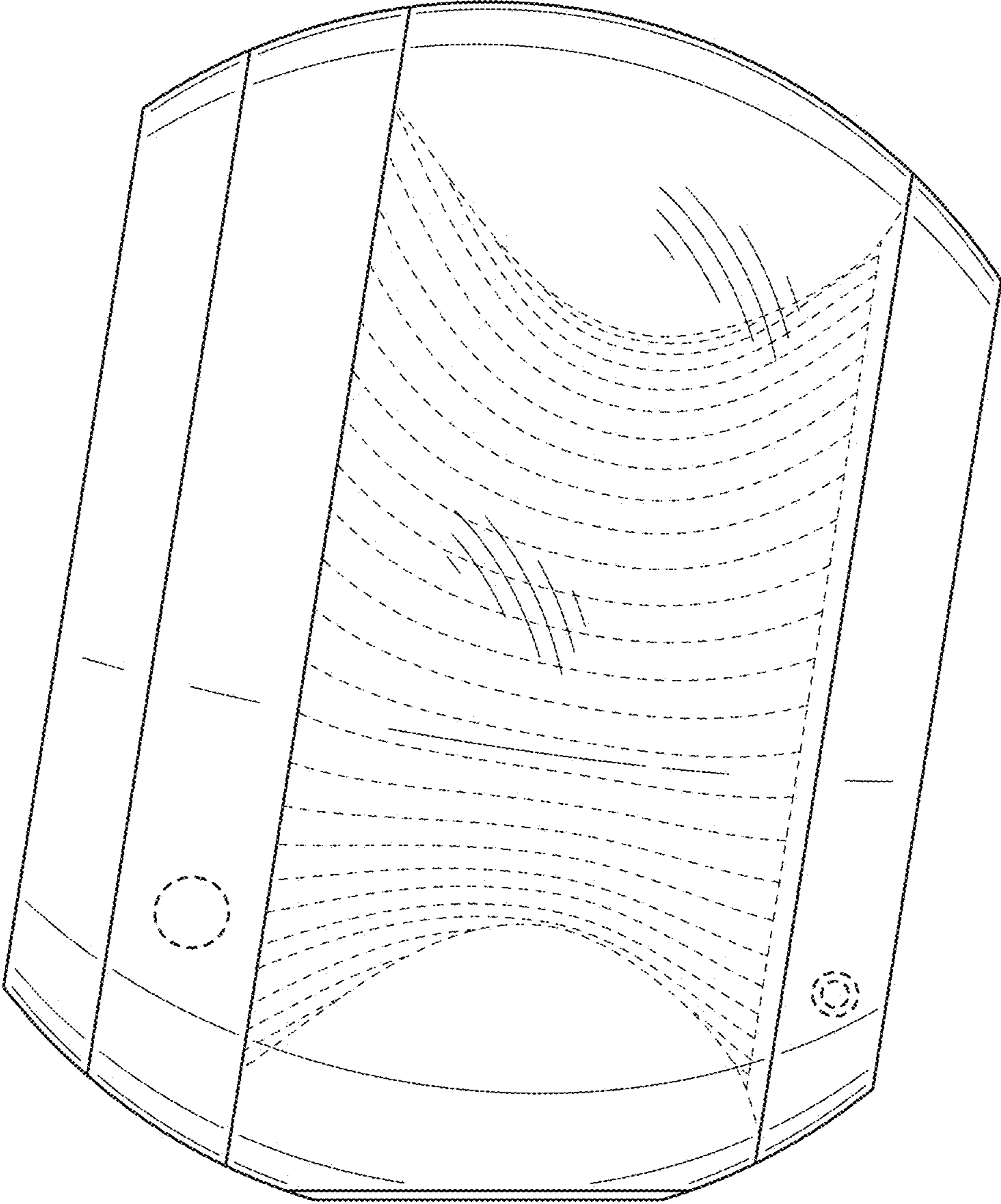


FIG. 3

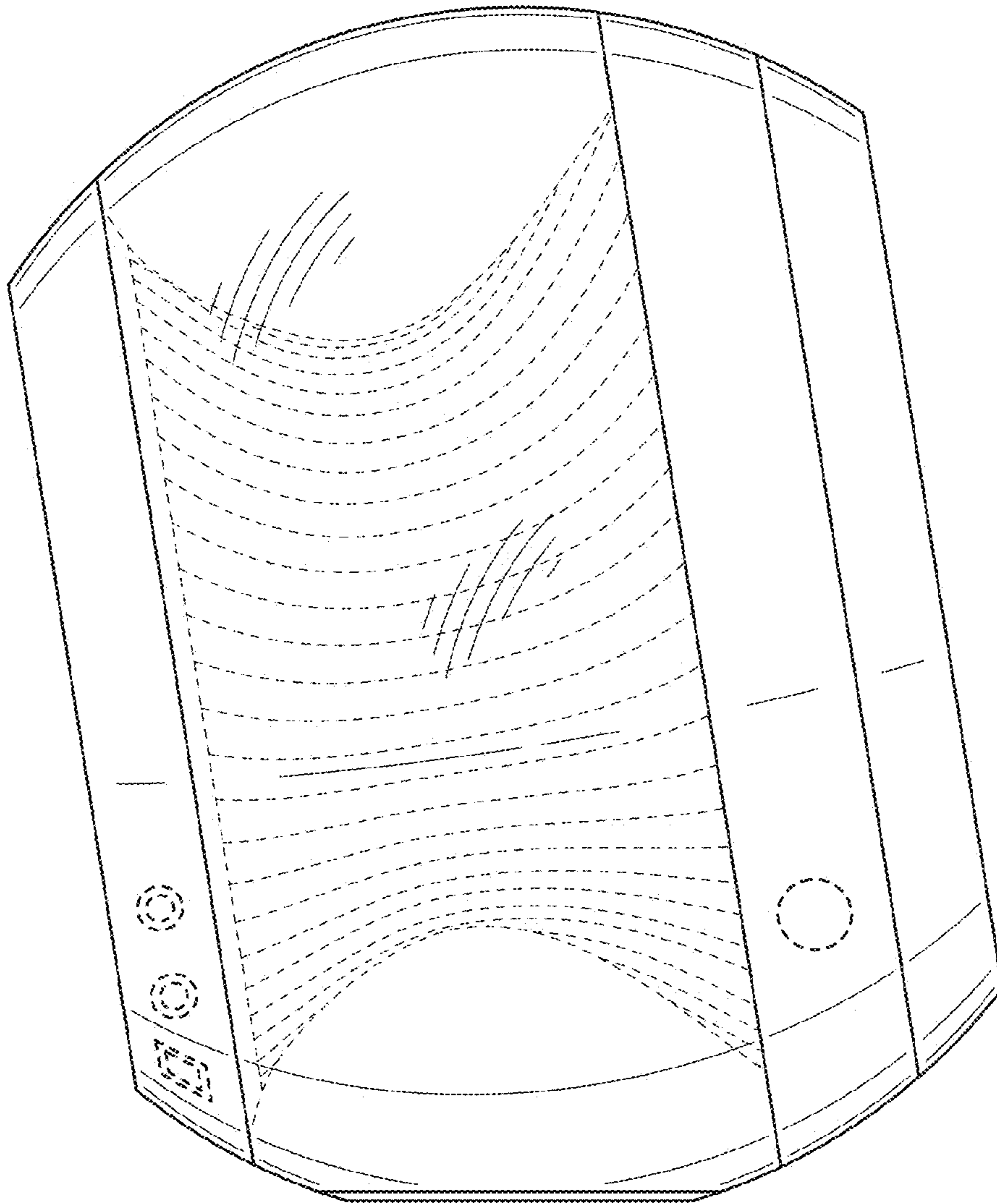


FIG. 4

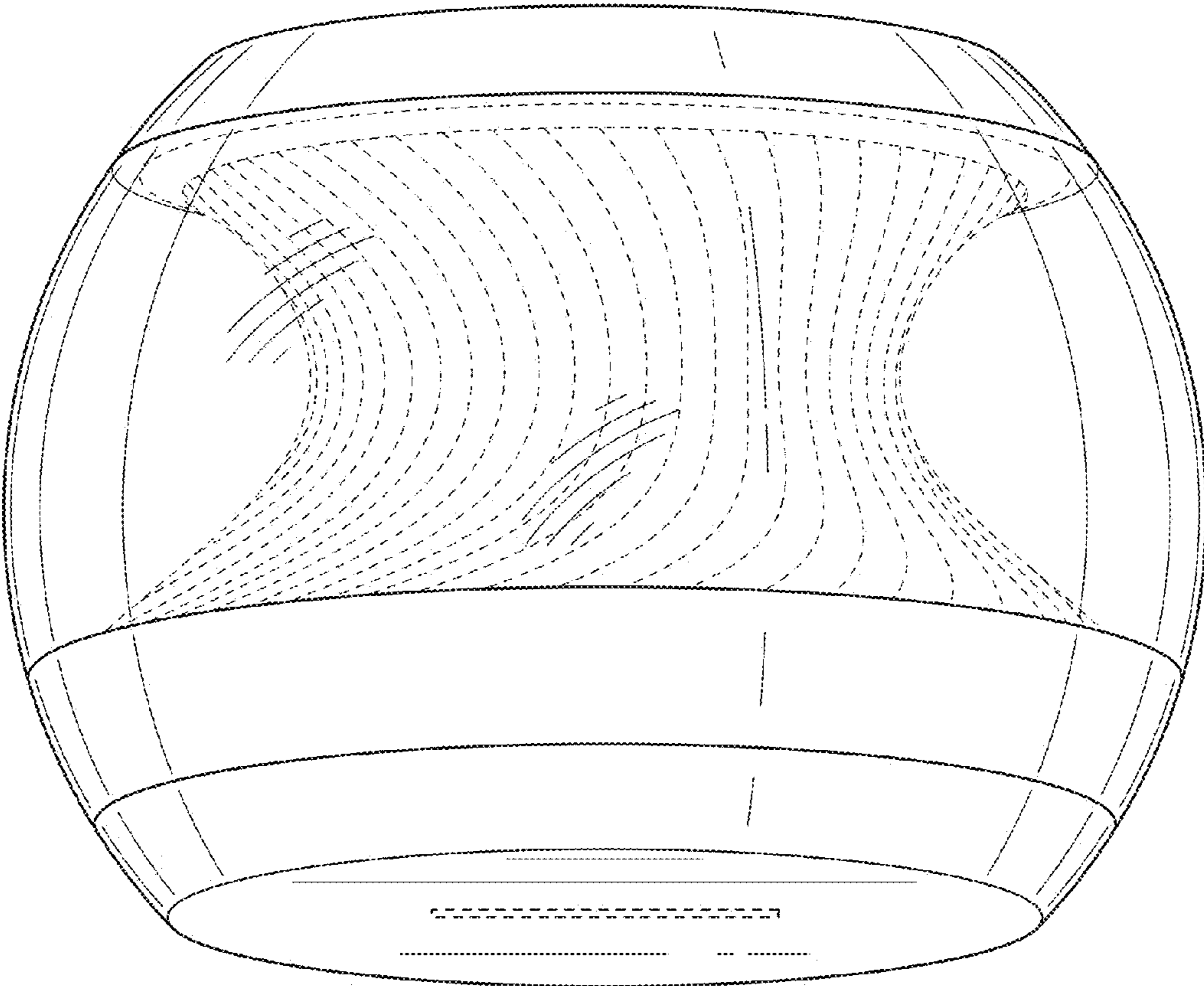


FIG. 5

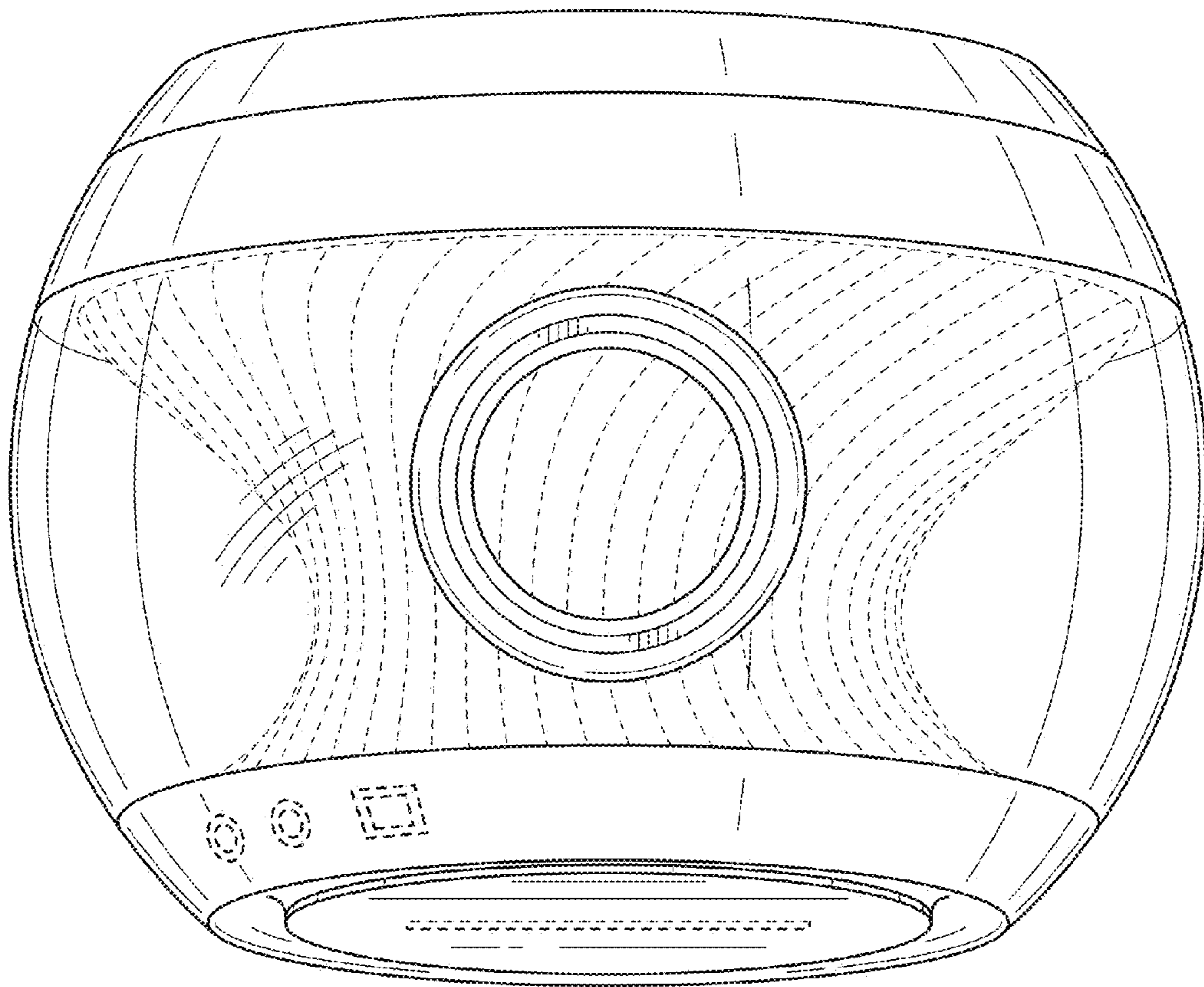


FIG. 6

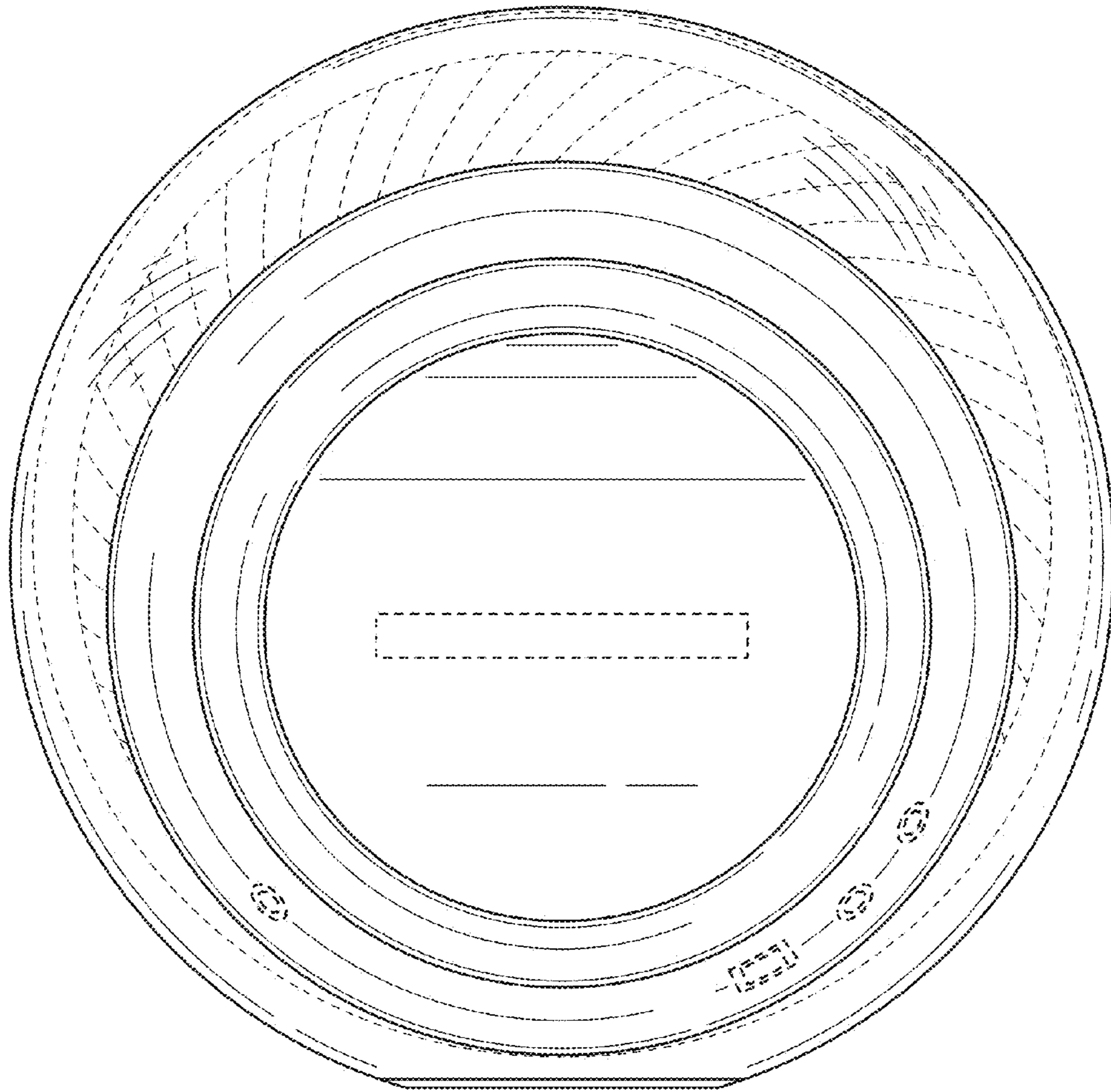


FIG. 7