



US00D712376S

(12) **United States Design Patent**  
**Lui et al.**

(10) **Patent No.:** **US D712,376 S**

(45) **Date of Patent:** **\*\* Sep. 2, 2014**

- (54) **TABLET STAND WITH SPEAKER**
- (71) Applicants: **Wing Kit Lui**, Kowloon (HK); **Hiu Wai Ho**, Kowloon (HK)
- (72) Inventors: **Wing Kit Lui**, Kowloon (HK); **Hiu Wai Ho**, Kowloon (HK)
- (73) Assignee: **Eric Beare Associates Limited**, Kowloon (HK)

6,791,907	B2 *	9/2004	Berhan	.....	369/7
6,795,318	B2 *	9/2004	Haas et al.	.....	361/729
D618,213	S *	6/2010	Goh et al.	.....	D14/209.1
D625,289	S *	10/2010	Hao et al.	.....	D14/209.1
D641,338	S *	7/2011	Chen	.....	D14/209.1
8,180,095	B2 *	5/2012	Zhang	.....	381/387
8,194,897	B2 *	6/2012	Choi	.....	381/182
D676,412	S *	2/2013	Holzer	.....	D14/171
D676,829	S *	2/2013	Kaneko	.....	D14/209.1
D687,013	S *	7/2013	Ryu et al.	.....	D14/209.1
D688,229	S *	8/2013	Ryu et al.	.....	D14/209.1

(\*\*) Term: **14 Years**

\* cited by examiner

(21) Appl. No.: **29/450,350**

*Primary Examiner* — Prabhakar Deshmukh

(22) Filed: **Mar. 18, 2013**

(57) **CLAIM**

The ornamental design for a tablet stand with speaker, as shown and described.

(51) **LOC (10) Cl.** ..... **14-01**

**DESCRIPTION**

(52) **U.S. Cl.**

USPC ..... **D14/209.1**

(58) **Field of Classification Search**

USPC ..... D14/204, 204.1, 210–216, 172, 434,  
D14/265; 181/143, 144, 147, 148, 150–153,  
181/157, 198, 199; 381/300–306, 332, 333,  
381/336, 345, 361–364

See application file for complete search history.

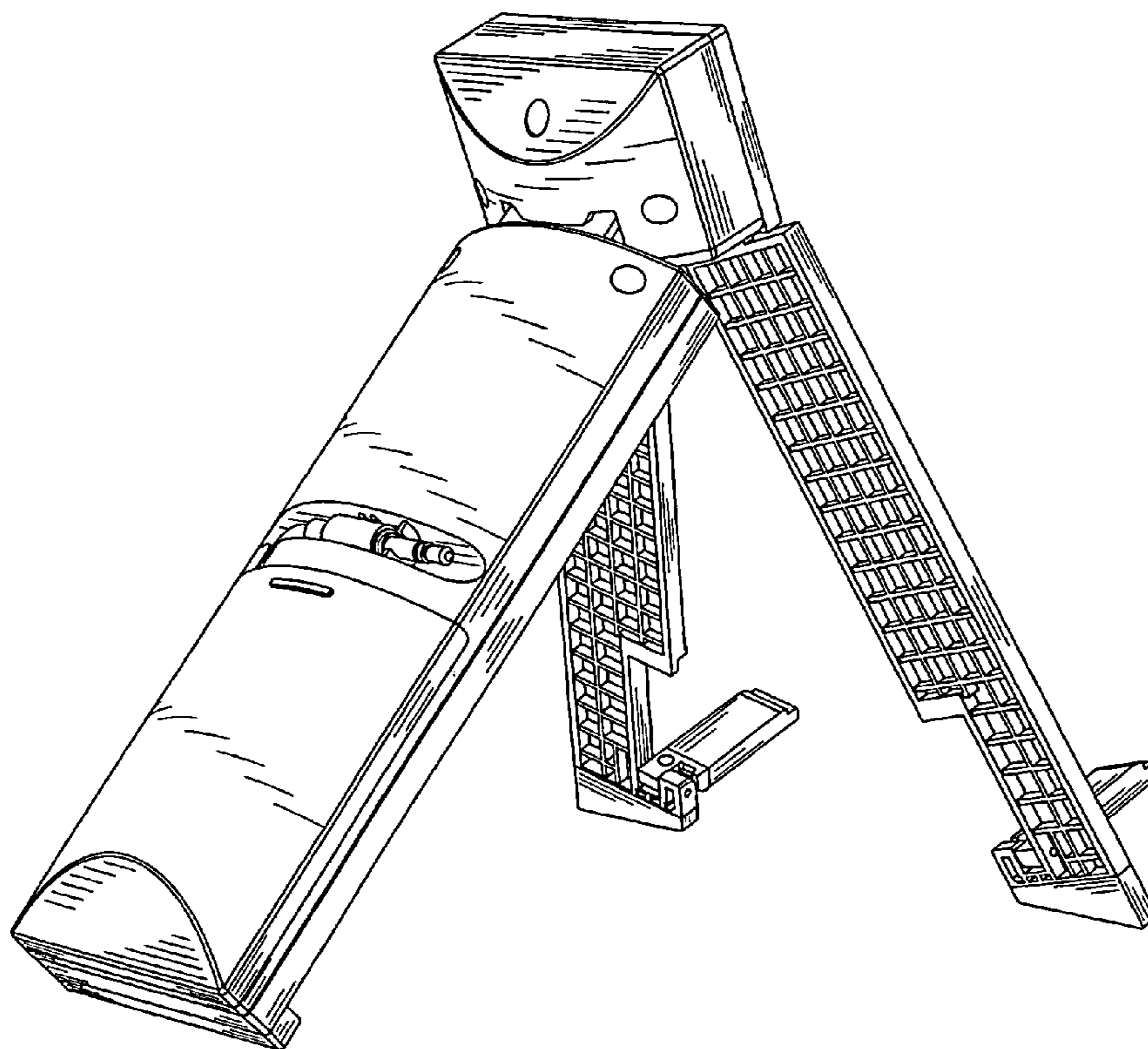
FIG. 1 is a front elevational view of a tablet stand with speaker showing our new design;  
FIG. 2 is a rear elevational view thereof;  
FIG. 3 is a left side view thereof;  
FIG. 4 is a right side view thereof;  
FIG. 5 is a top plan view thereof;  
FIG. 6 is a bottom plan view thereof;  
FIG. 7 is a perspective view thereof;  
FIG. 8 is another perspective view thereof;  
FIG. 9 is a perspective view in the state of use; and,  
FIG. 10 is another perspective view in the state of use.

(56) **References Cited**

**U.S. PATENT DOCUMENTS**

5,546,468	A *	8/1996	Beard	.....	381/86
5,937,074	A *	8/1999	Carver	.....	381/395

**1 Claim, 6 Drawing Sheets**



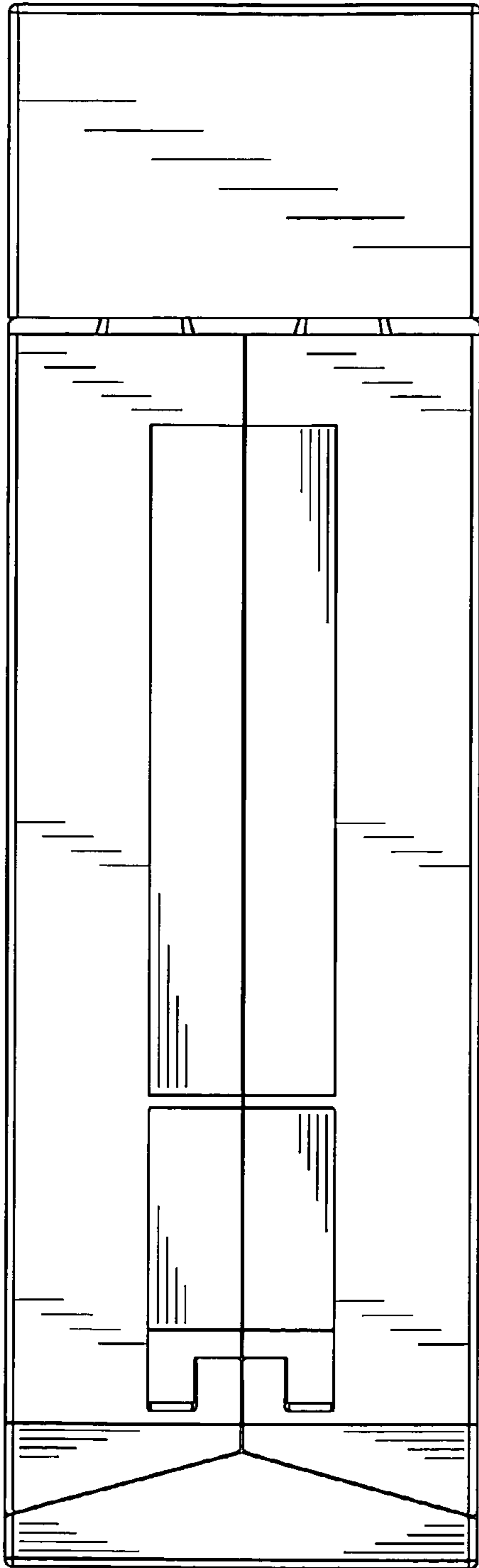


FIG. 1

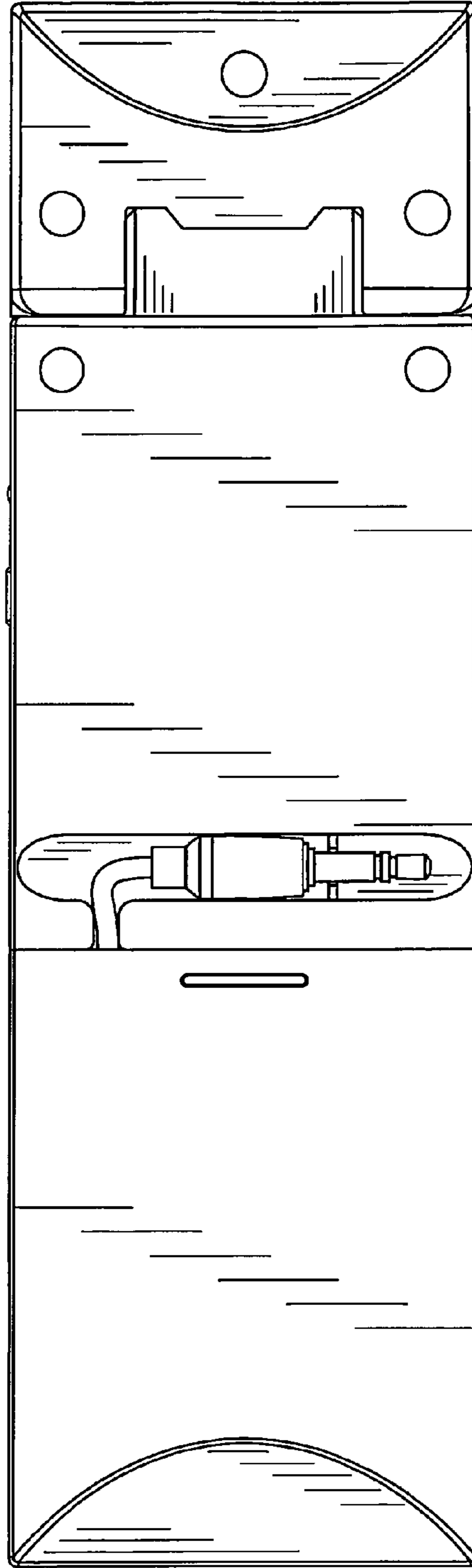


FIG. 2

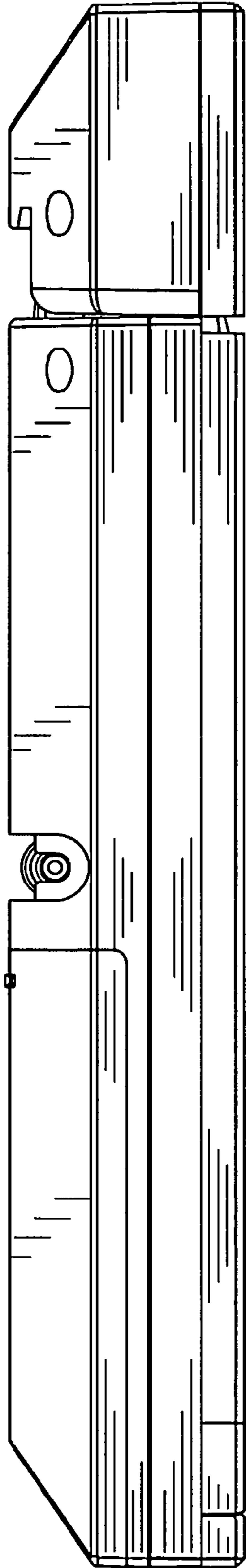


FIG. 3

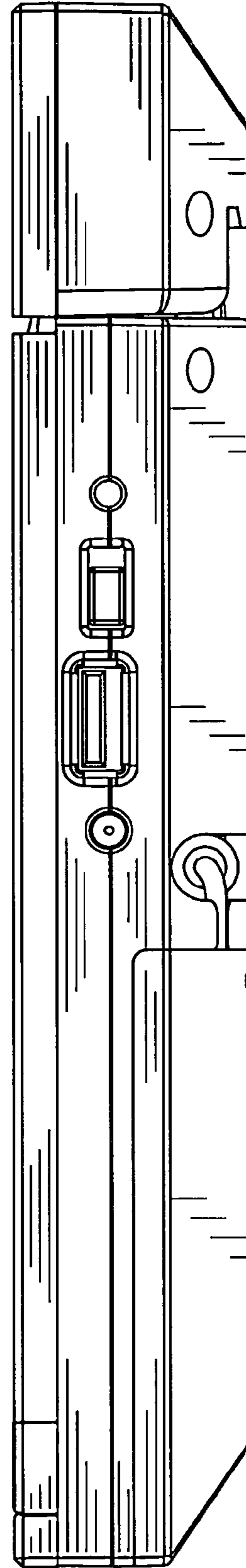


FIG. 4

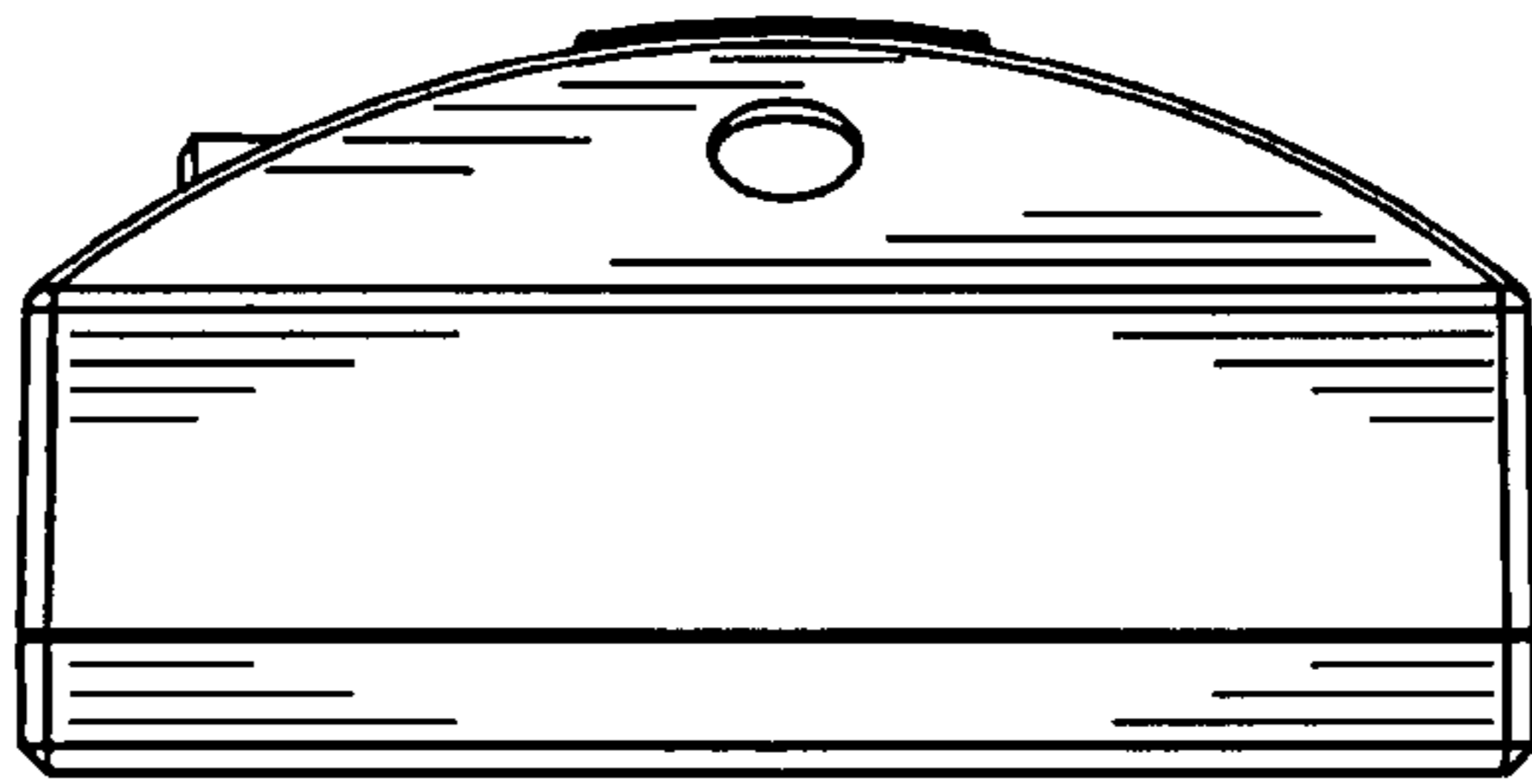


FIG. 5

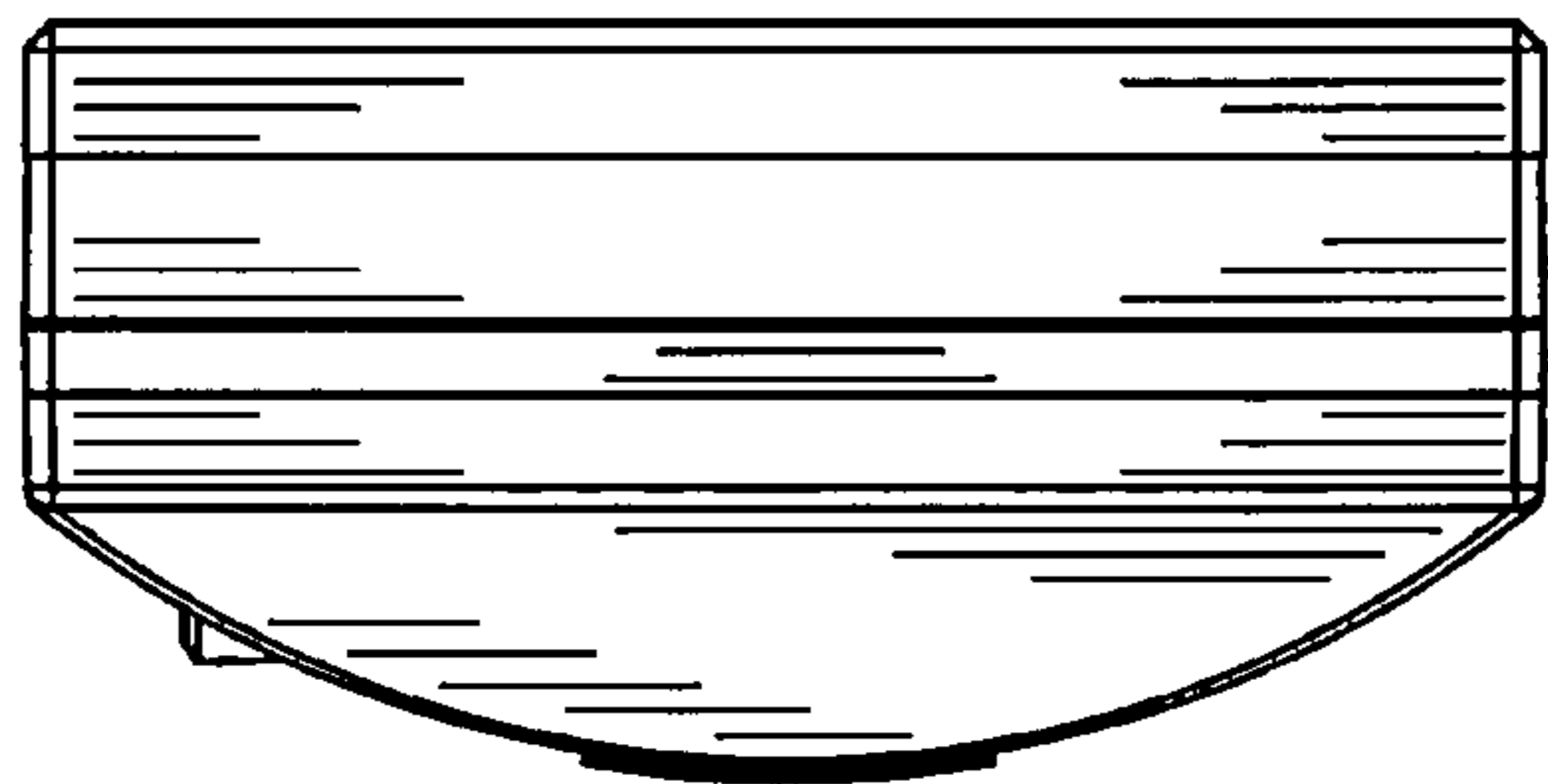


FIG. 6

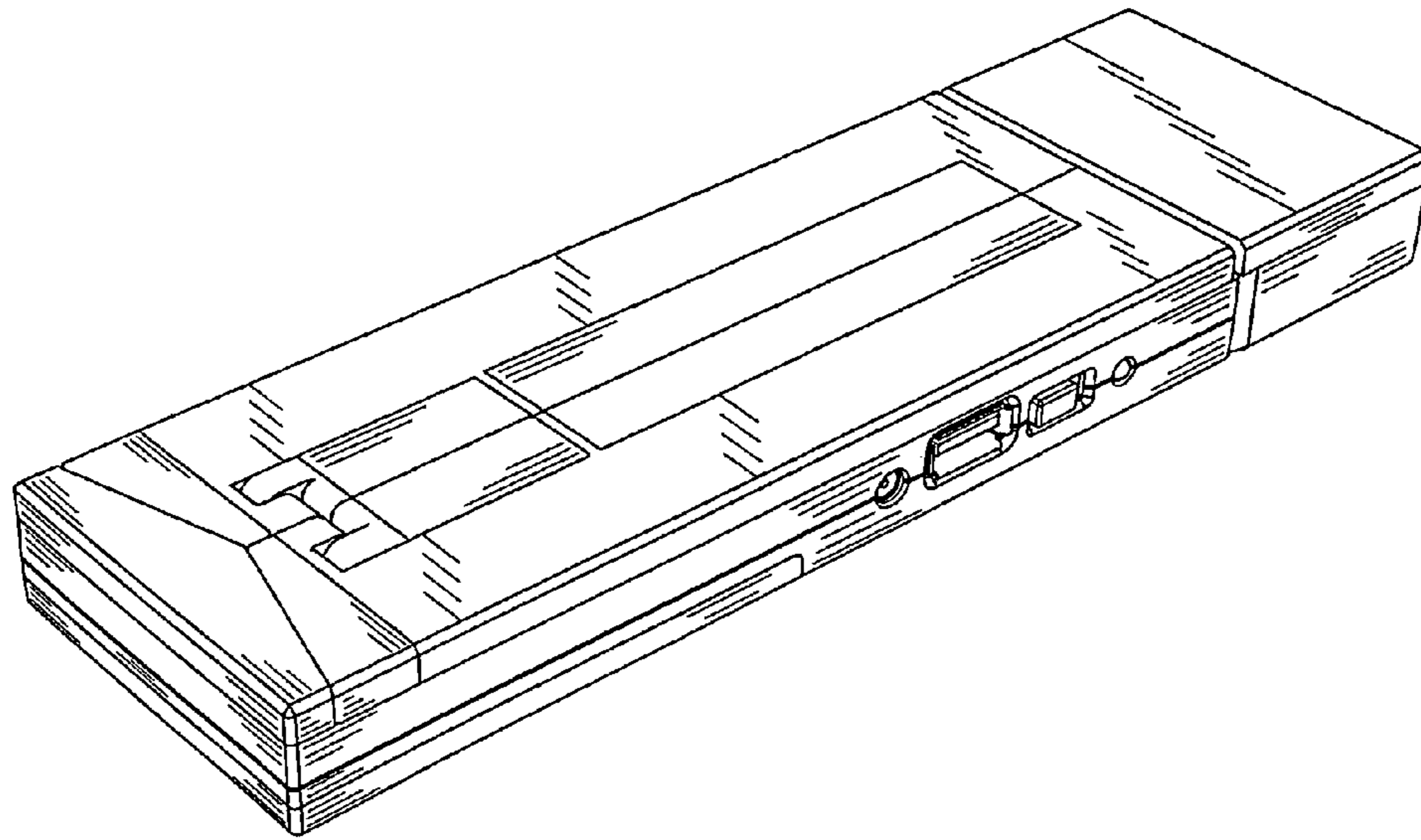


FIG. 7

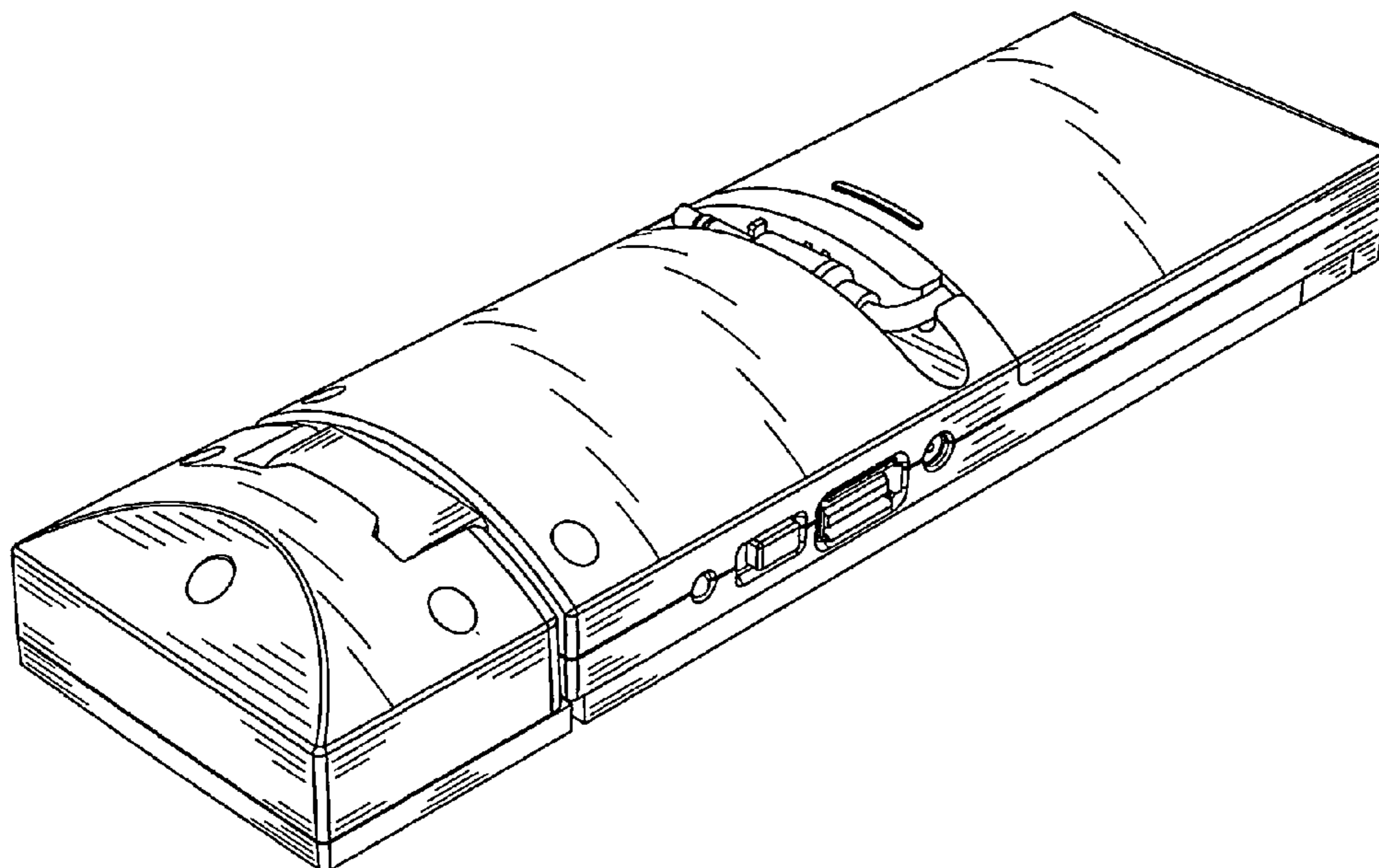


FIG. 8



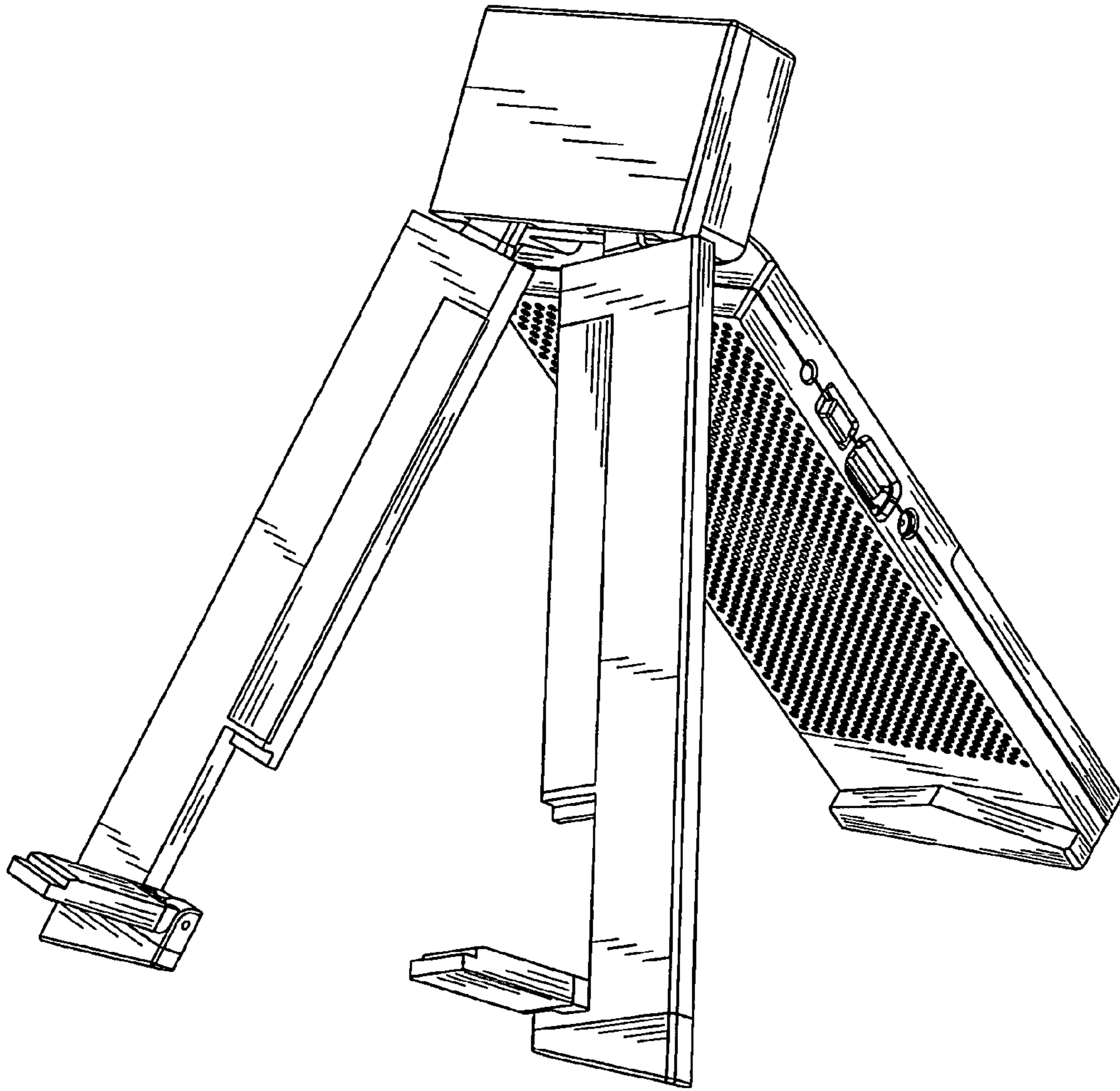


FIG. 9

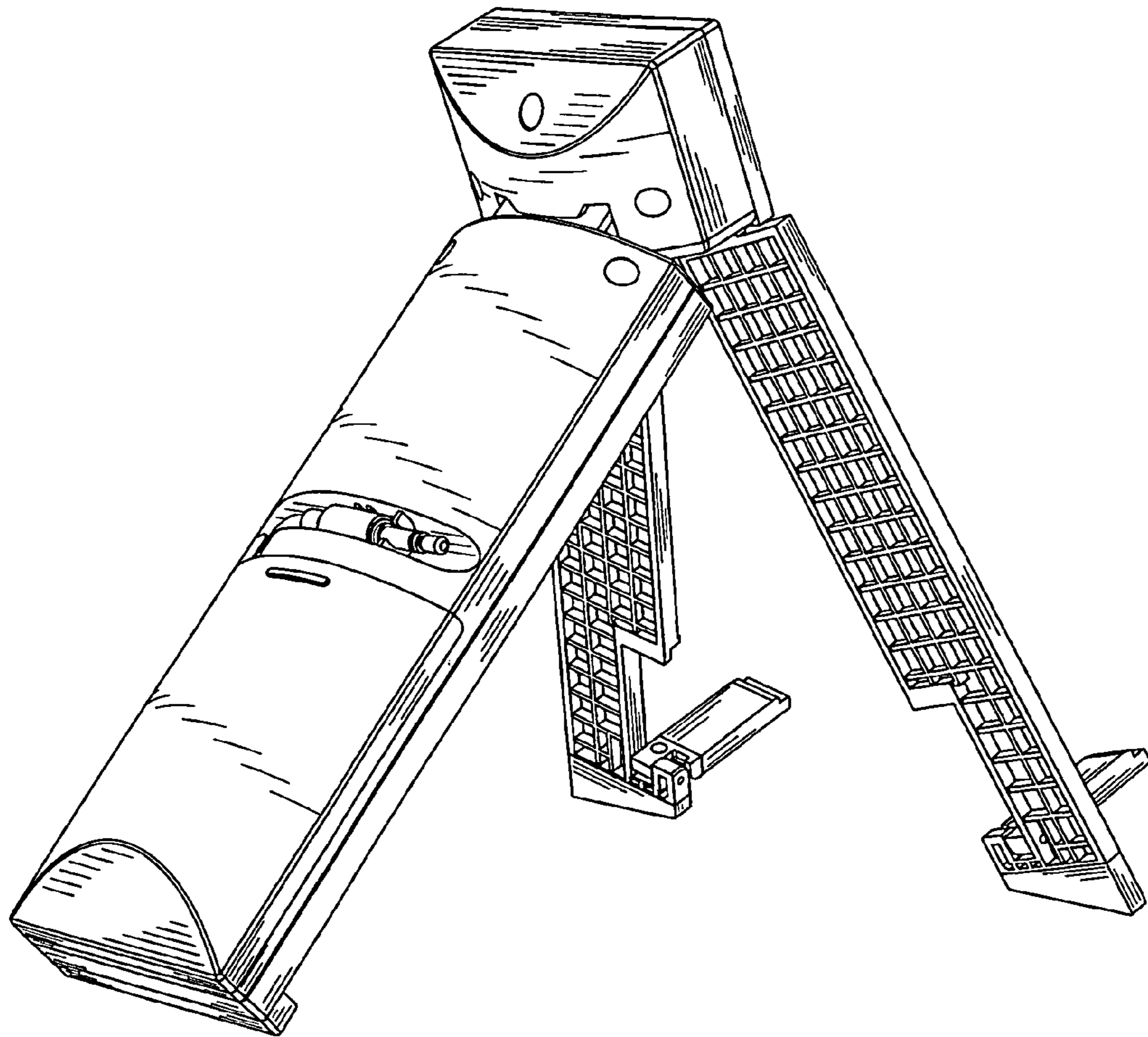


FIG. 10