



US00D712370S

(12) **United States Design Patent**
Moon et al.

(10) **Patent No.:** **US D712,370 S**
(45) **Date of Patent:** **** Sep. 2, 2014**

(54) **WIRELESS SOUND RECEIVER**
(75) Inventors: **Mi-Jung Moon**, Changwon (KR);
Mun-Jun Park, Changwon (KR);
Joo-Bok Kim, Changwon (KR)
(73) Assignee: **Samsung Techwin Co., Ltd.**, Changwon
(KR)

D427,177 S *	6/2000	Yamazaki	D14/192
D473,205 S *	4/2003	Tajima	D14/167
D497,153 S *	10/2004	Oas	D14/188
D497,607 S *	10/2004	Oas	D14/188
D538,245 S	3/2007	Heath		
D539,252 S *	3/2007	Heath	D14/137
D557,252 S *	12/2007	Obata	D14/197
D576,999 S *	9/2008	Tofflinger	D14/154
D689,459 S *	9/2013	Park et al.	D14/159

* cited by examiner

(**) Term: **14 Years**

Primary Examiner — Stella Reid

(21) Appl. No.: **29/423,095**

Assistant Examiner — Janice Lim

(22) Filed: **May 29, 2012**

(74) *Attorney, Agent, or Firm* — Sughrue Mion, PLLC

(30) **Foreign Application Priority Data**

Nov. 30, 2011 (KR) 30-2011-0050752

(51) **LOC (10) Cl.** **14-03**

(52) **U.S. Cl.**
USPC **D14/188**

(58) **Field of Classification Search**
USPC D13/103; D14/135, 137, 155, 158, 160,
D14/161, 168, 181, 188, 191, 193-198,
D14/203.6, 204, 209, 209.1, 210, 211, 215,
D14/216, 257, 258, 314, 353, 354, 358, 440,
D14/441, 498, 509; D26/26, 28, 60-62, 72,
D26/73, 93, 94, 97, 118, 124
See application file for complete search history.

(56) **References Cited**

U.S. PATENT DOCUMENTS

D398,303 S 9/1998 Greger
D415,759 S * 10/1999 Pinchuk D14/168

(57) **CLAIM**

We claim the ornamental design for a wireless sound receiver, as shown and described.

DESCRIPTION

FIG. 1 is a perspective view of a wireless sound receiver showing our new design;
FIG. 2 is a front elevational view of the wireless sound receiver;
FIG. 3 is a rear elevational view of the wireless sound receiver;
FIG. 4 is a left side elevational view of the wireless sound receiver;
FIG. 5 is a right side elevational view of the wireless sound receiver;
FIG. 6 is a top plan view of the wireless sound receiver;
FIG. 7 is a bottom plan view of the wireless sound receiver;
and,
FIG. 8 is a bottom rear perspective view of the wireless sound receiver.

1 Claim, 7 Drawing Sheets

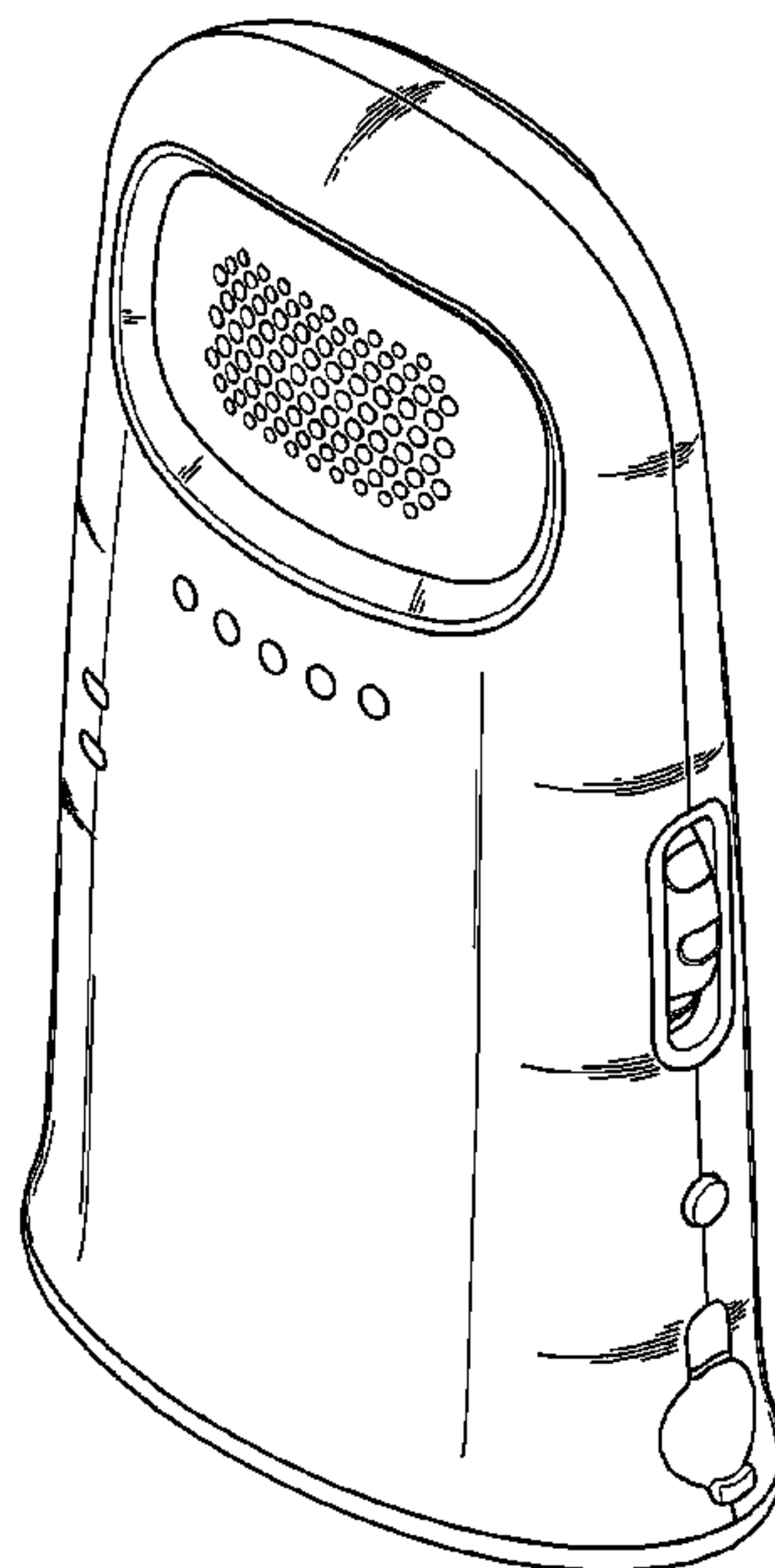


FIG. 1

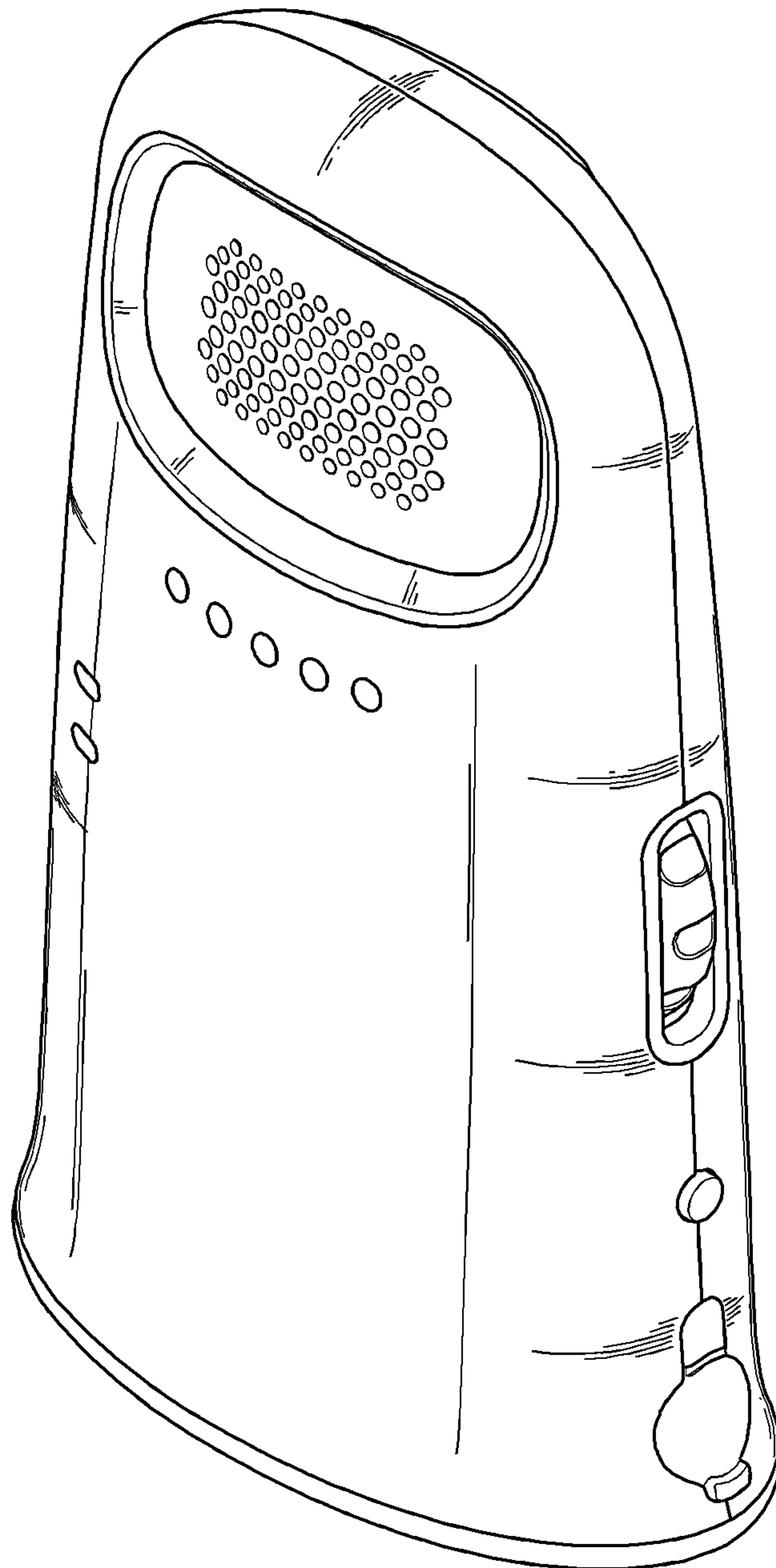


FIG. 2

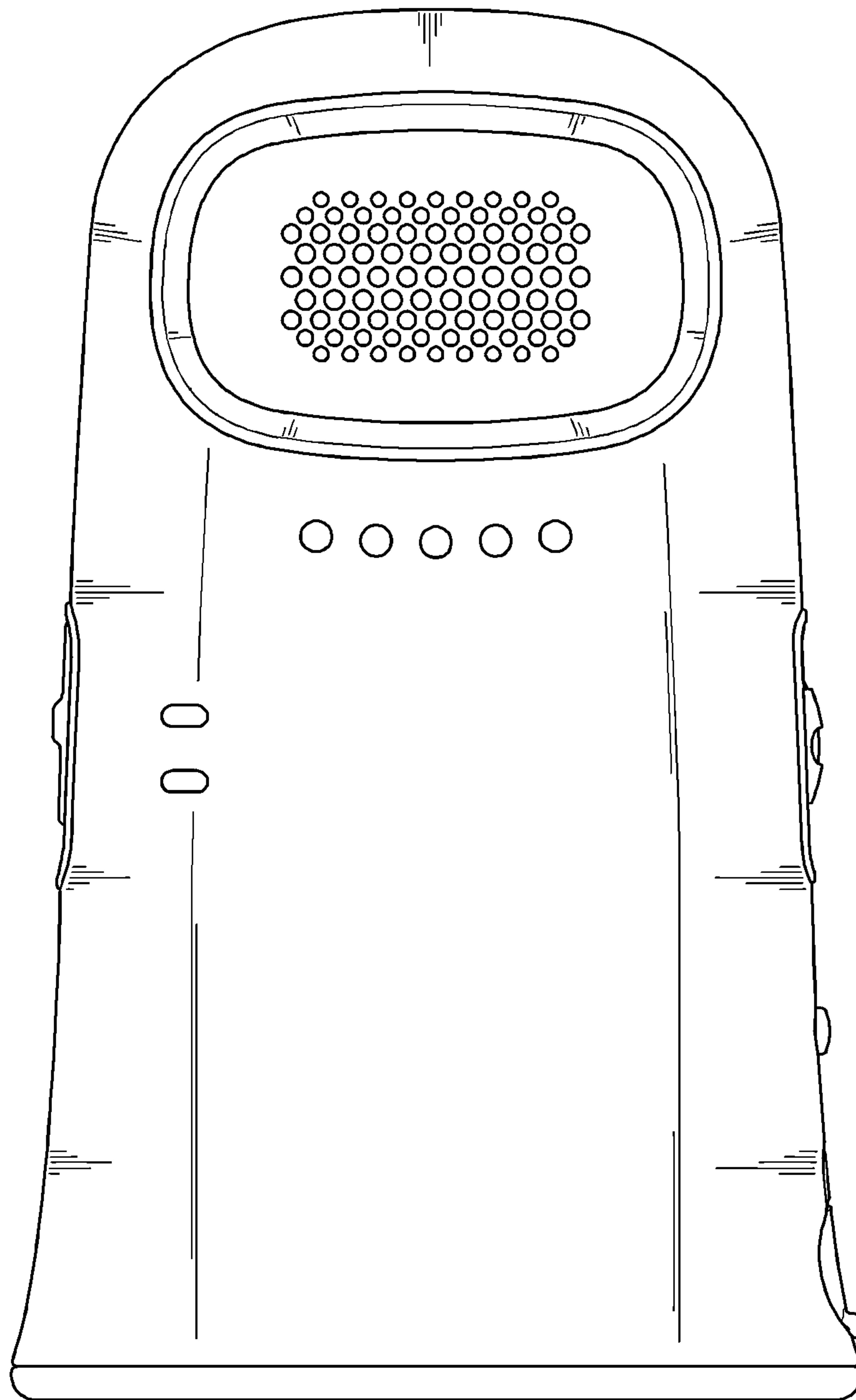


FIG. 3

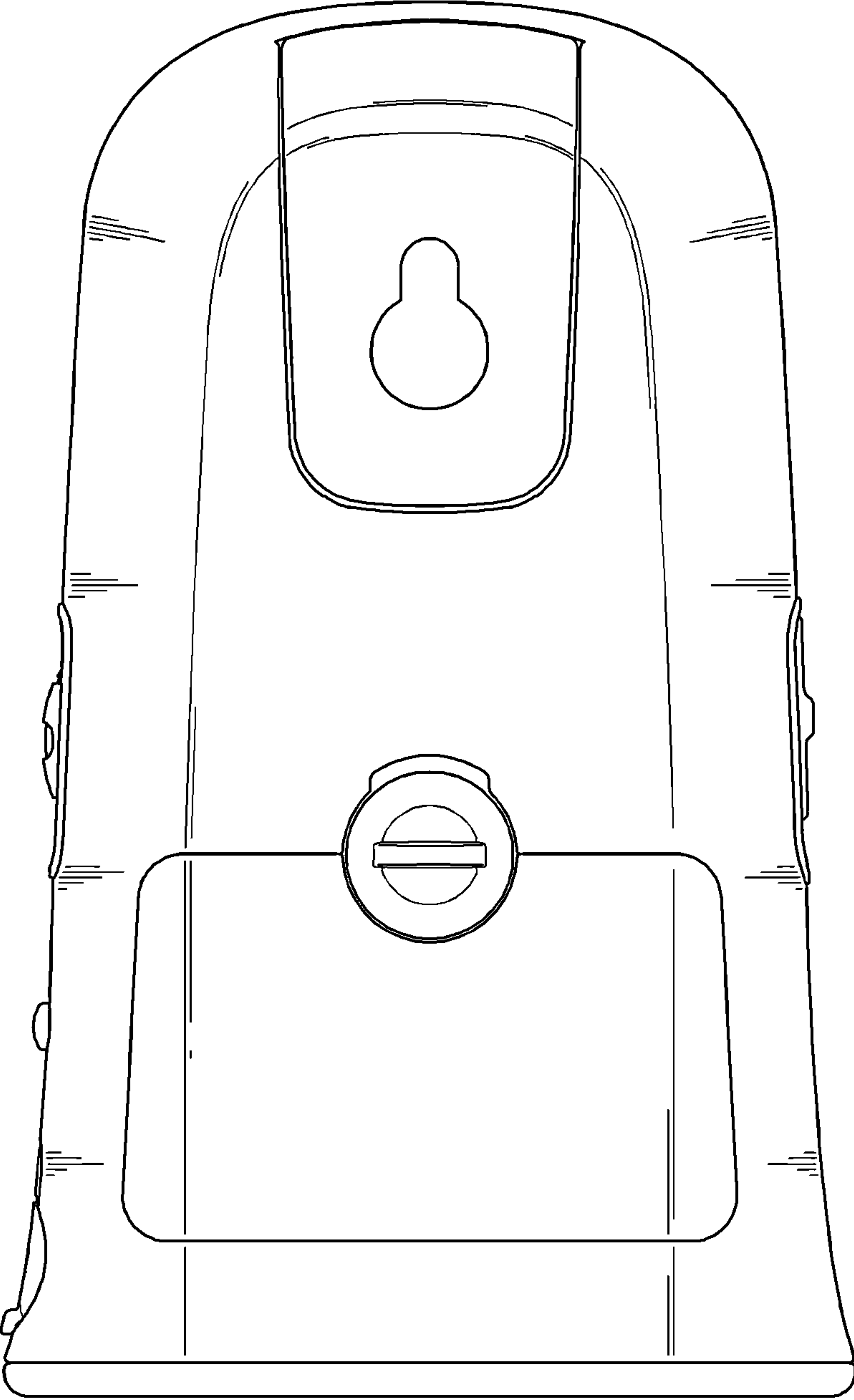


FIG. 4

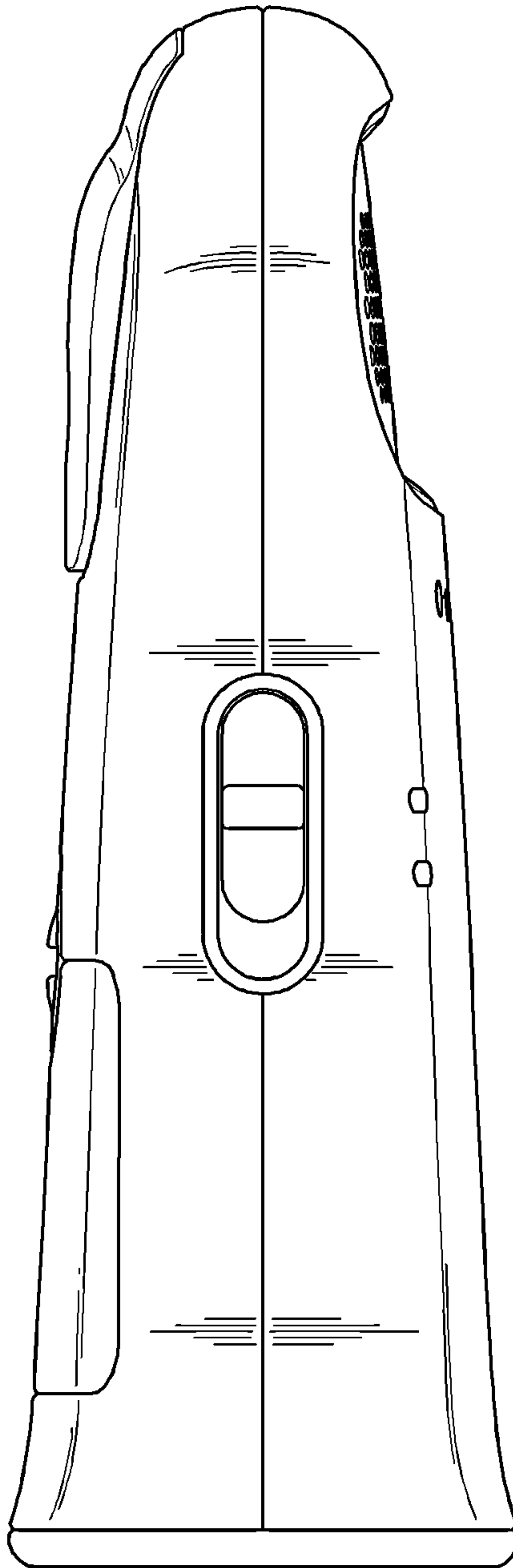


FIG. 5

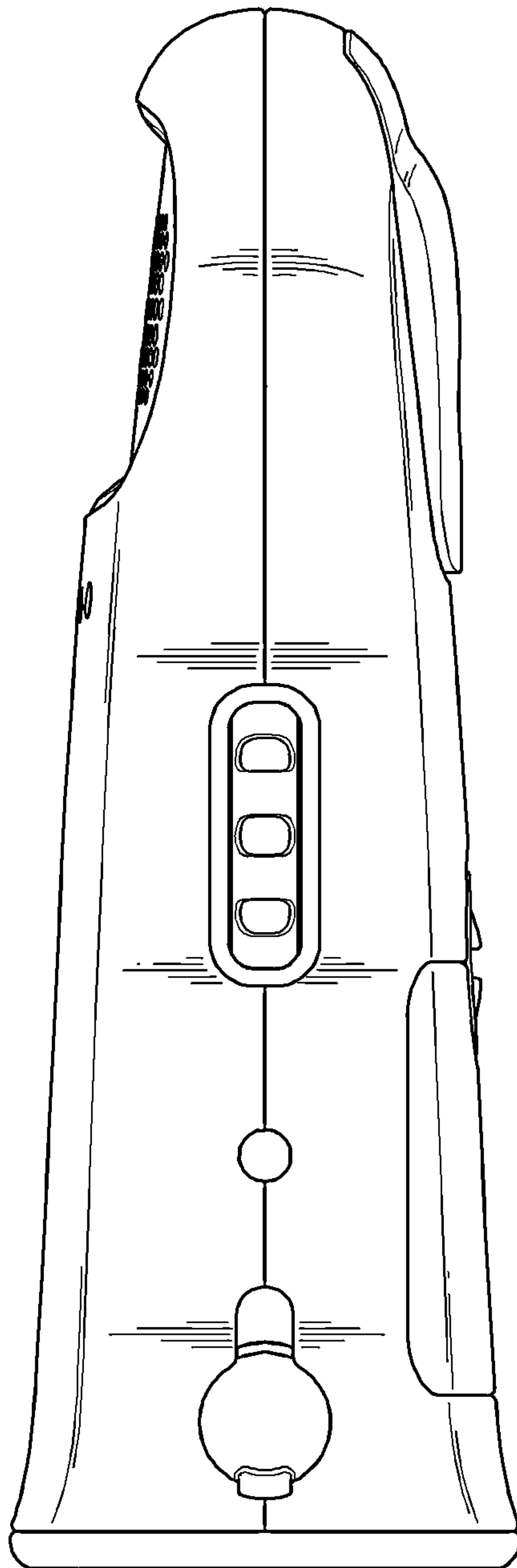


FIG. 6

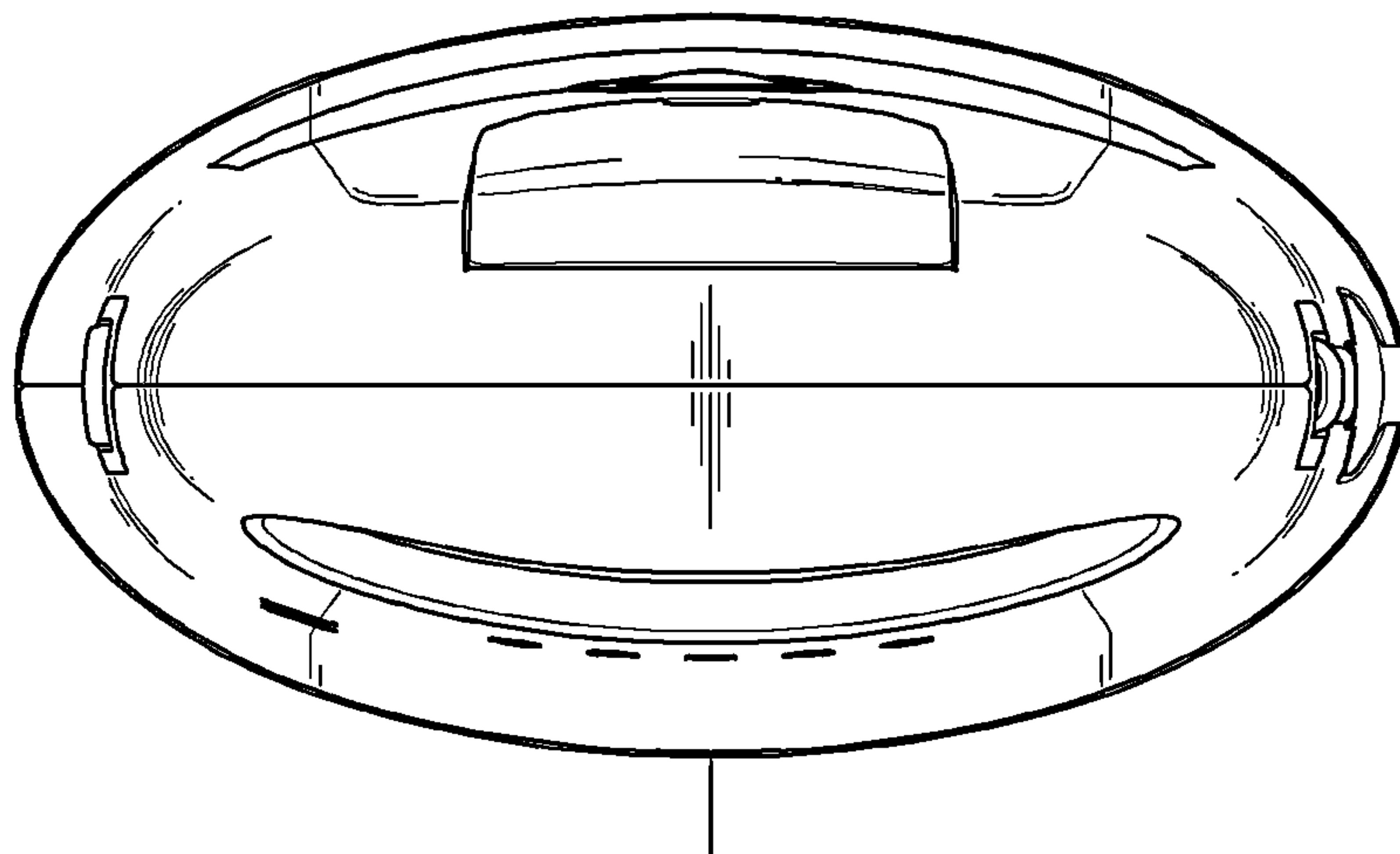


FIG. 7

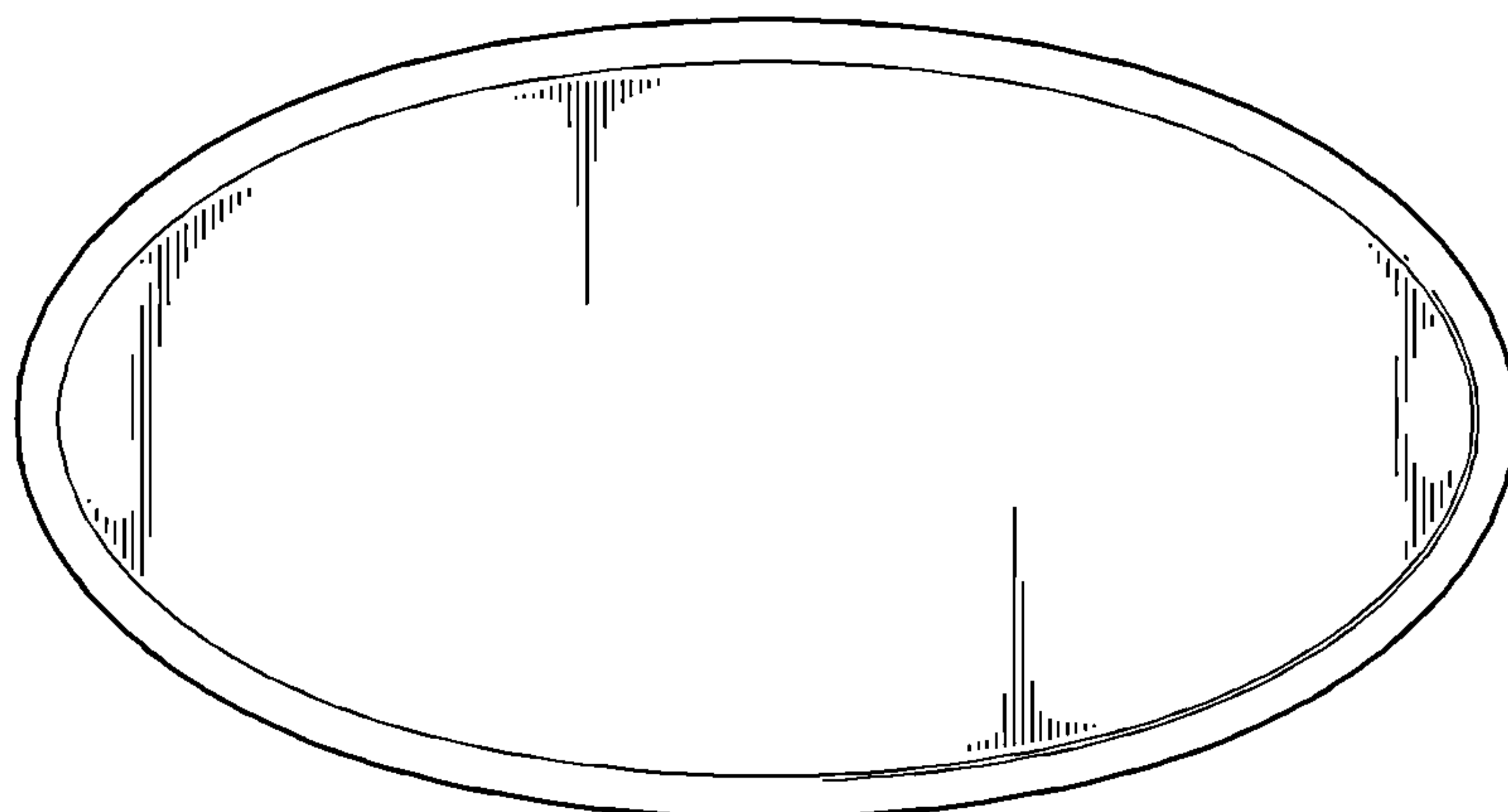


FIG. 8

