



US00D712369S

(12) **United States Design Patent**  
**Yoshida**

(10) **Patent No.:** **US D712,369 S**  
(45) **Date of Patent:** **\*\* Sep. 2, 2014**

- (54) **TELEPHONE BASE UNIT**
- (71) Applicant: **Panasonic Corporation**, Osaka (JP)
- (72) Inventor: **Tomoya Yoshida**, Tochigi (JP)
- (73) Assignee: **Panasonic Corporation**, Osaka (JP)
- (\*\*) Term: **14 Years**
- (21) Appl. No.: **29/476,581**
- (22) Filed: **Dec. 16, 2013**
- (51) **LOC (10) Cl.** ..... **14-03**
- (52) **U.S. Cl.**  
USPC ..... **D14/142**; D14/434; D14/172; D14/209.1
- (58) **Field of Classification Search**  
CPC ..... G06F 1/1632; H04M 1/02; H04M 1/04;  
H04M 1/72527; H04M 1/725  
USPC ..... D14/142, 140.7, 140.8, 144, 150, 151,  
D14/155, 158, 159, 170-172, 188, 209.1,  
D14/214, 217, 226, 229, 240, 251-253, 399,  
D14/329, 434, 447; D21/517; 455/557, 573,  
455/575.1, 74.1; 710/303; D13/107, 108,  
D13/168; D10/65; D24/169; 361/679.43  
See application file for complete search history.

(56) **References Cited**

**U.S. PATENT DOCUMENTS**

D275,951 S *	10/1984	Taylor	.....	D14/151
D335,861 S *	5/1993	Tattari	.....	D13/108
D359,488 S *	6/1995	Hui	.....	D14/141.2
5,933,812 A *	8/1999	Meyer et al.	.....	705/15
D427,587 S *	7/2000	Jacobsen et al.	.....	D14/240
D442,141 S *	5/2001	Ikenaga	.....	D13/107
D453,155 S *	1/2002	Michel	.....	D14/253
D483,016 S *	12/2003	Ma et al.	.....	D13/108
D507,526 S *	7/2005	Ohta	.....	D13/108
D514,090 S *	1/2006	Carbone et al.	.....	D14/209.1
D553,106 S *	10/2007	Griffin	.....	
D555,632 S *	11/2007	Iikura	.....	D14/499

D589,930 S *	4/2009	McGeeney	.....	D14/172
D590,369 S *	4/2009	Gonser et al.	.....	
D597,057 S *	7/2009	Sheppard	.....	
D598,002 S *	8/2009	Sheppard et al.	.....	
D598,006 S *	8/2009	Tse	.....	D14/209.1
D599,782 S *	9/2009	Tse	.....	D14/209.1
D599,801 S *	9/2009	Skaf et al.	.....	D14/434
D619,996 S *	7/2010	Demskie et al.	.....	D14/218
D628,562 S *	12/2010	Akana et al.	.....	D14/217
D638,818 S *	5/2011	Fleming et al.	.....	D14/145
D639,811 S *	6/2011	Hwang et al.	.....	D14/434
D642,519 S *	8/2011	Woo et al.	.....	D13/108
D645,840 S *	9/2011	Silvera	.....	
D645,867 S *	9/2011	Wong et al.	.....	D14/447
D646,258 S *	10/2011	Van Der Flier et al.	.....	
D647,505 S *	10/2011	Skurdal	.....	D14/209.1
D649,932 S *	12/2011	Symons	.....	D13/108

(Continued)

*Primary Examiner* — Susan Bennett Hattan

*Assistant Examiner* — Marie Fast Horse

(74) *Attorney, Agent, or Firm* — Panasonic Patent Center

(57) **CLAIM**

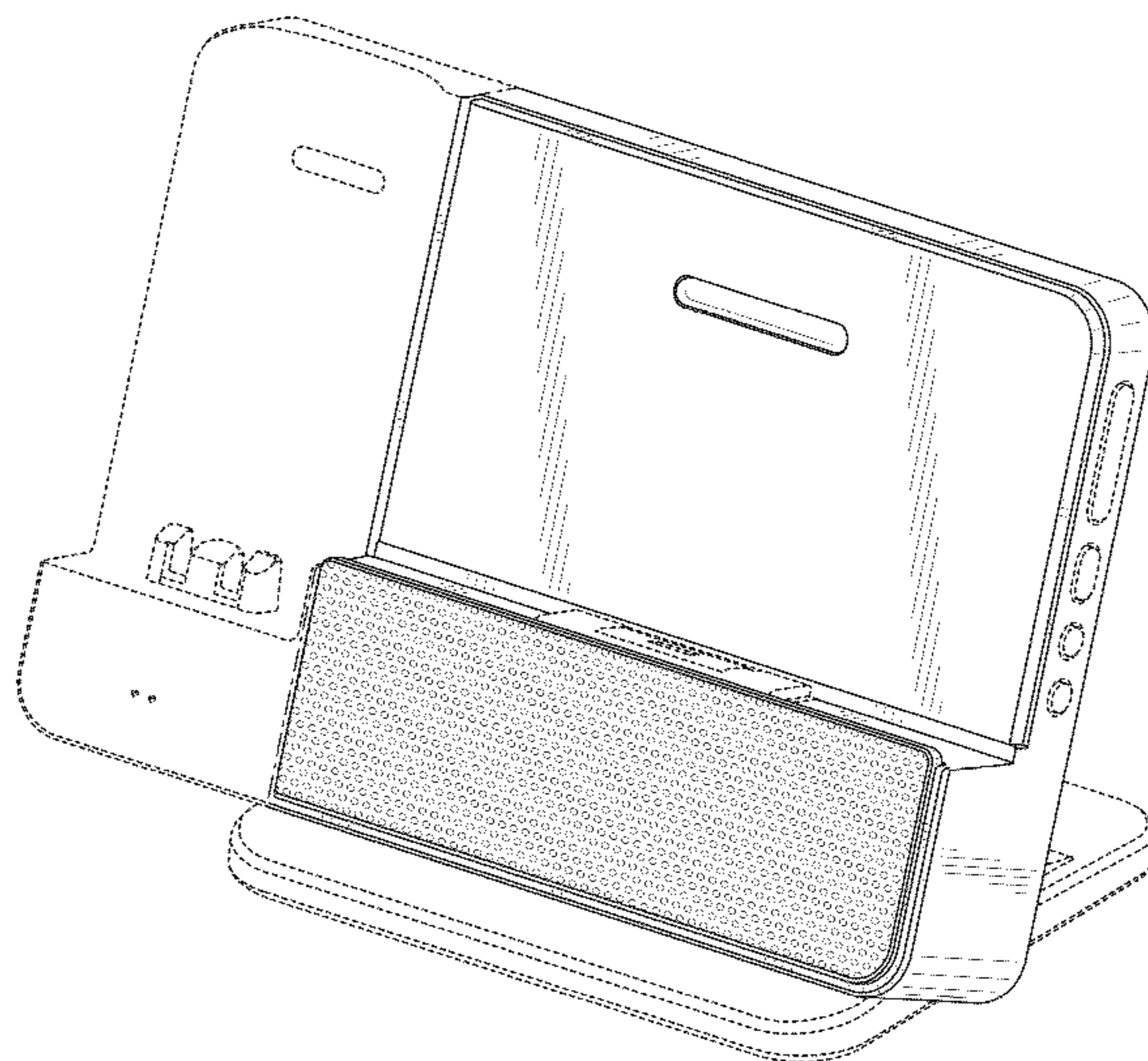
I claim the ornamental design for a telephone base unit, as shown and described.

**DESCRIPTION**

FIG. 1 is a front perspective view of a telephone base unit of the present invention;  
 FIG. 2 is a front view thereof;  
 FIG. 3 is a rear perspective view thereof;  
 FIG. 4 is a left side view thereof;  
 FIG. 5 is a right side view thereof;  
 FIG. 6 is a top view thereof; and,  
 FIG. 7 is a bottom view thereof.

The broken line showing of telephone base unit is included for the purpose of illustrating environment and forms no part of the claimed design. Additionally, the unevenly broken lines in the drawings define the limits of the claimed design.

**1 Claim, 7 Drawing Sheets**



(56)

**References Cited**

U.S. PATENT DOCUMENTS

D652,834 S *	1/2012	Jones et al. ....	D14/434	D685,795 S *	7/2013	Paschke et al. ....	D14/434
D653,232 S	1/2012	Jones et al.		D688,235 S *	8/2013	Song .....	D14/253
D657,741 S *	4/2012	Fahrendorff et al. ....	D13/108	D705,158 S *	5/2014	Gengler .....	D13/107
D662,082 S *	6/2012	McManigal .....	D14/217	D707,230 S *	6/2014	Castronovo et al. ....	D14/447
D665,812 S *	8/2012	Huang et al. ....	D14/447	2002/0090919 A1 *	7/2002	Hofman .....	455/90
D671,935 S *	12/2012	Mao .....	D14/253	2002/0193141 A1 *	12/2002	Wu .....	455/556
D674,337 S *	1/2013	Au Yeung .....	D13/108	2005/0255895 A1 *	11/2005	Lee et al. ....	455/573
D674,381 S *	1/2013	Ma .....	D14/253	2007/0288678 A1 *	12/2007	Langberg et al. ....	710/303
D674,392 S *	1/2013	Cheng et al. ....	D14/434	2010/0173683 A1 *	7/2010	Fujii et al. ....	455/573
D676,832 S *	2/2013	Akana et al. ....	D14/217	2012/0046074 A1 *	2/2012	Gittleman et al. ....	455/557
D685,322 S *	7/2013	Szymanski et al. ....	D13/108	2013/0027871 A1 *	1/2013	Cheng .....	361/679.41
D685,339 S	7/2013	Park et al.		2013/0050934 A1 *	2/2013	Zhou .....	361/679.43
				2013/0217448 A1 *	8/2013	Kim et al. ....	455/575.1
				2013/0219098 A1 *	8/2013	Turnpenny et al. ....	710/303

\* cited by examiner

FIG. 1

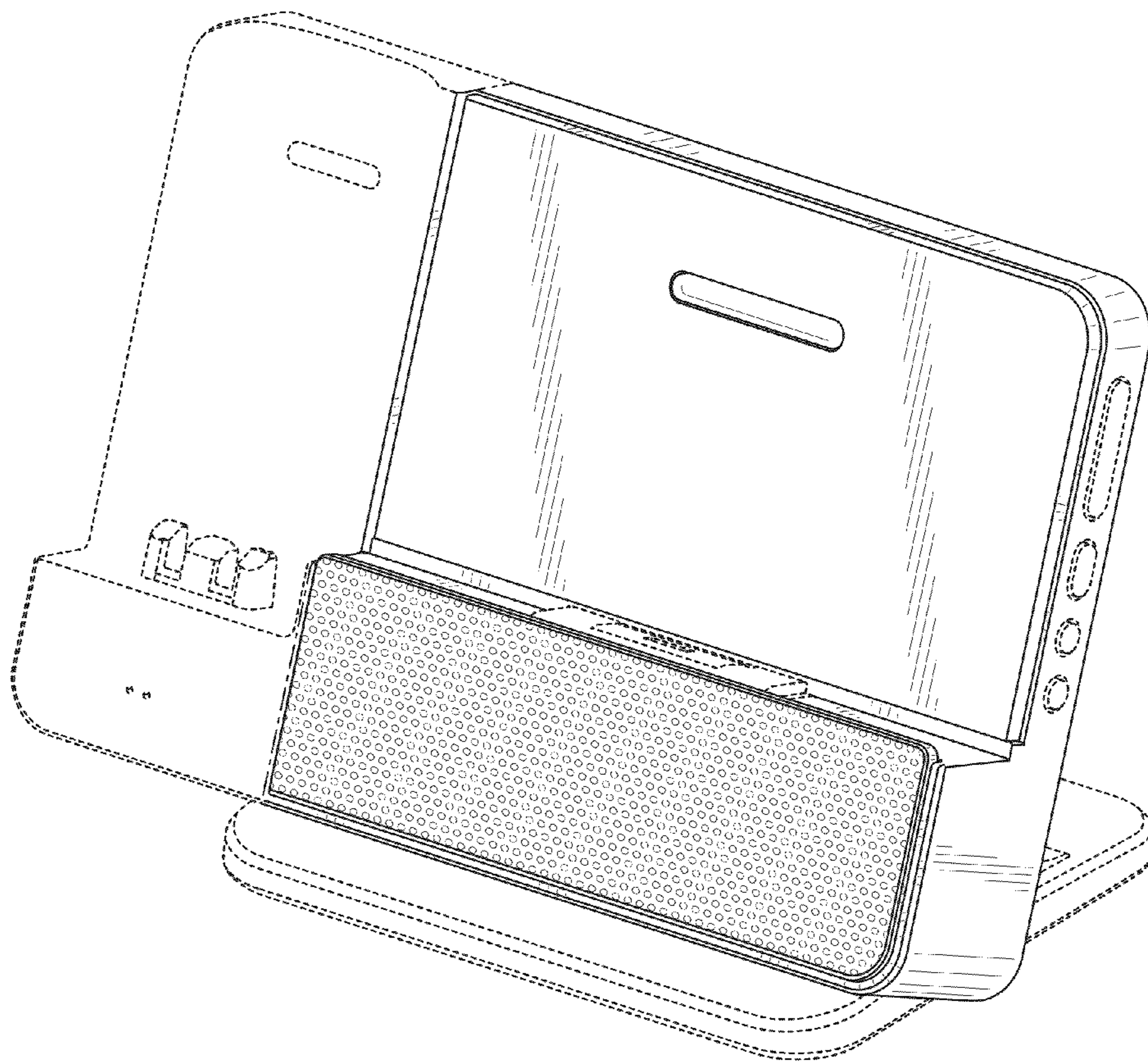


FIG. 2

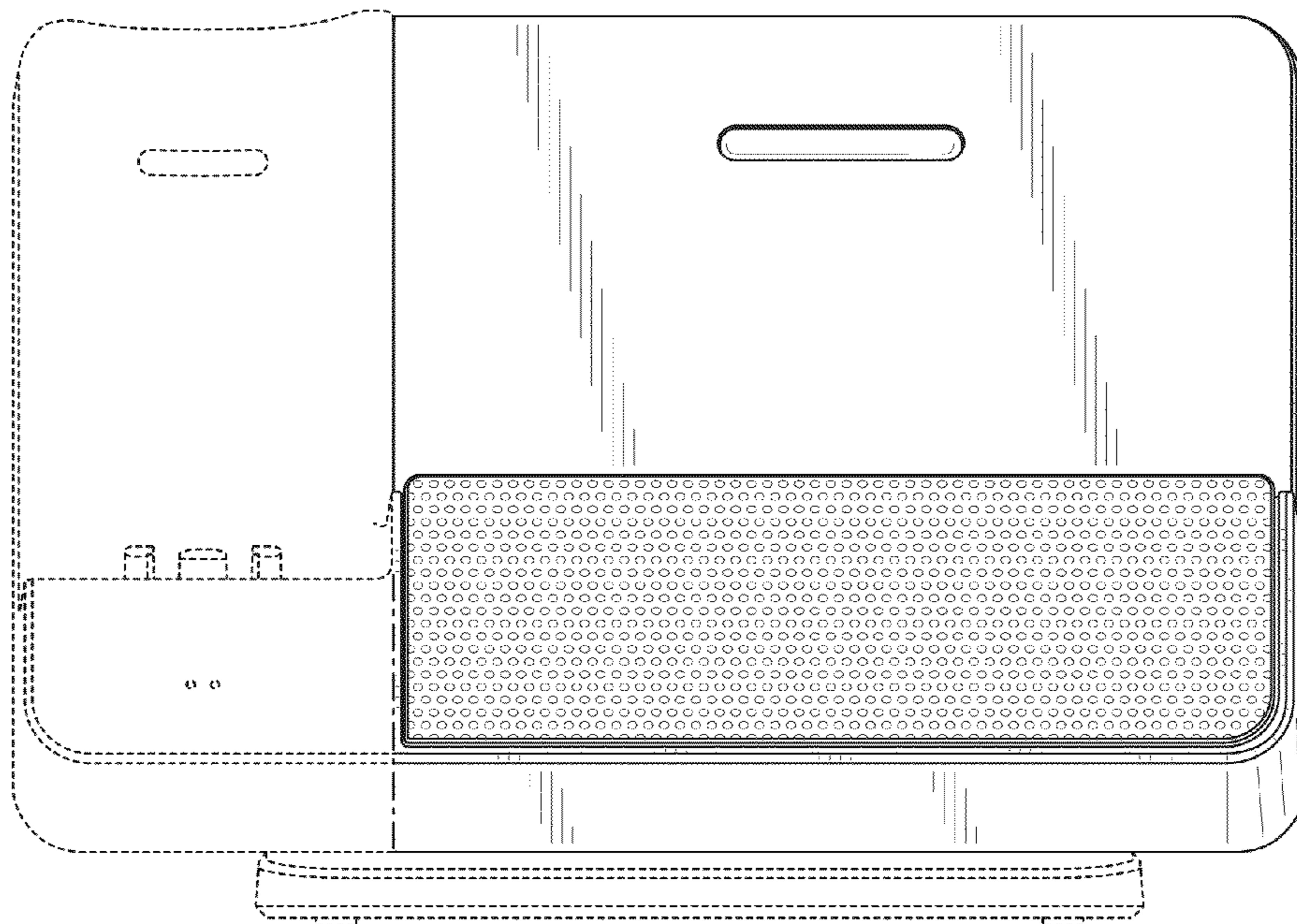


FIG. 3

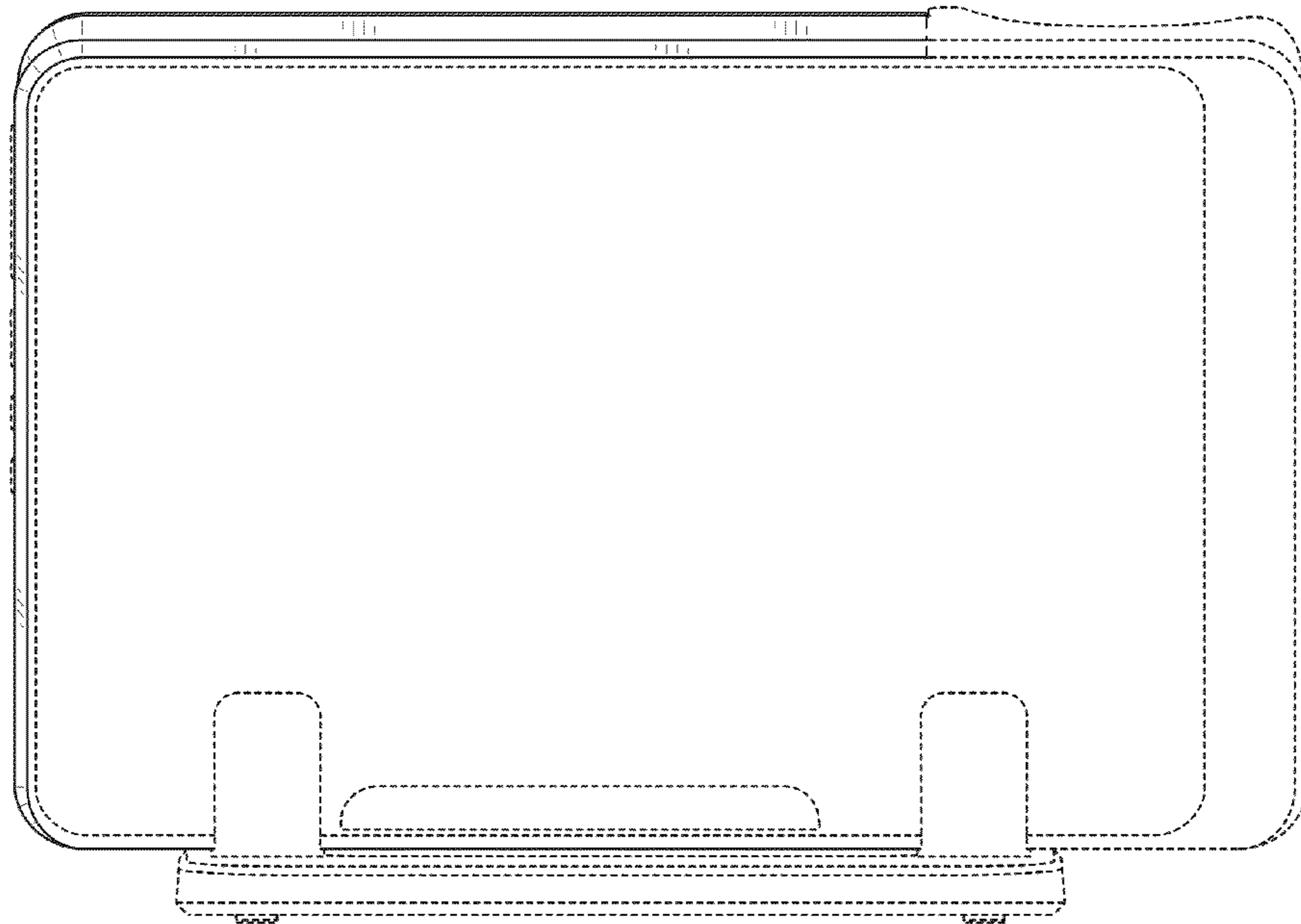


FIG. 4

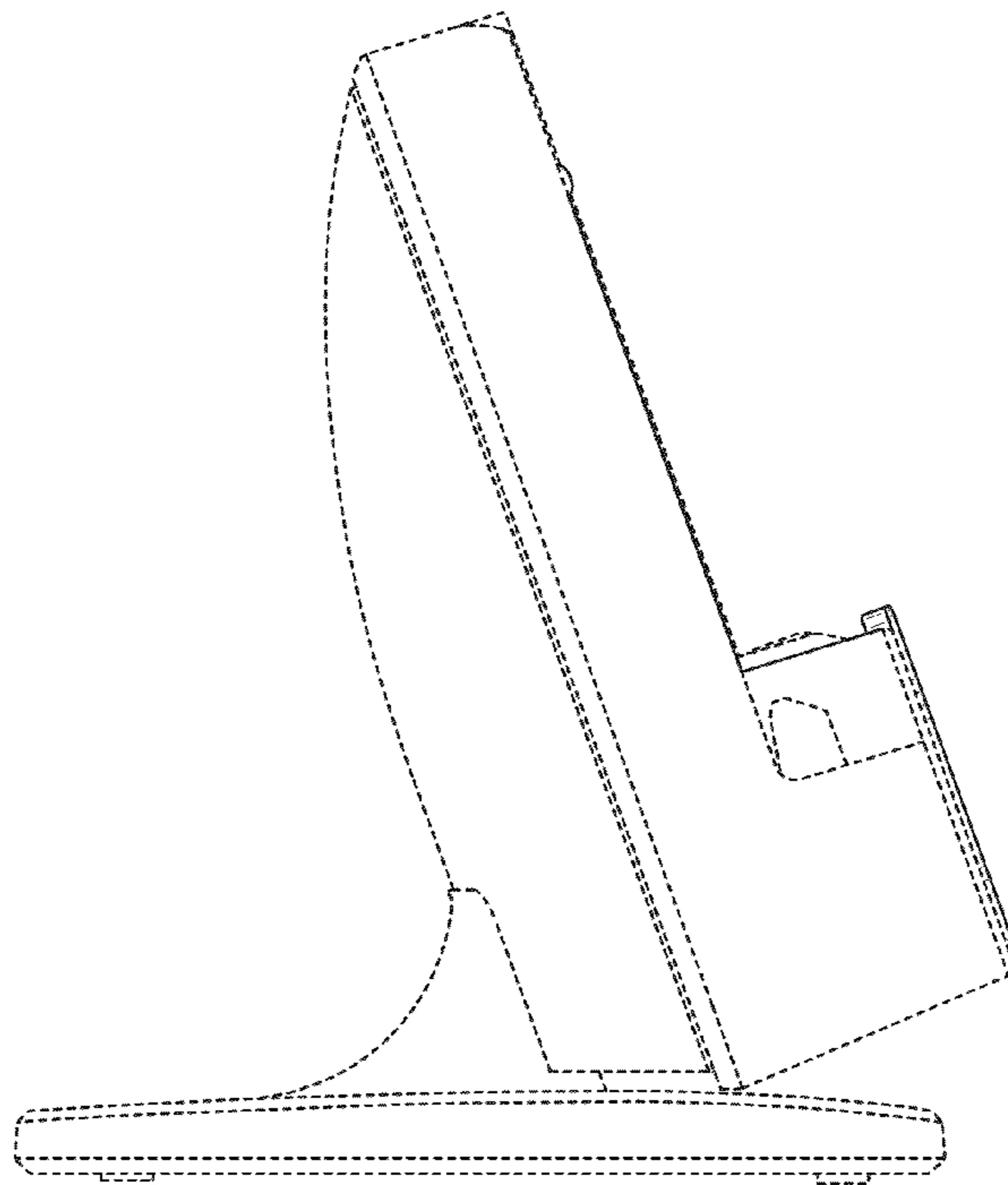


FIG. 5

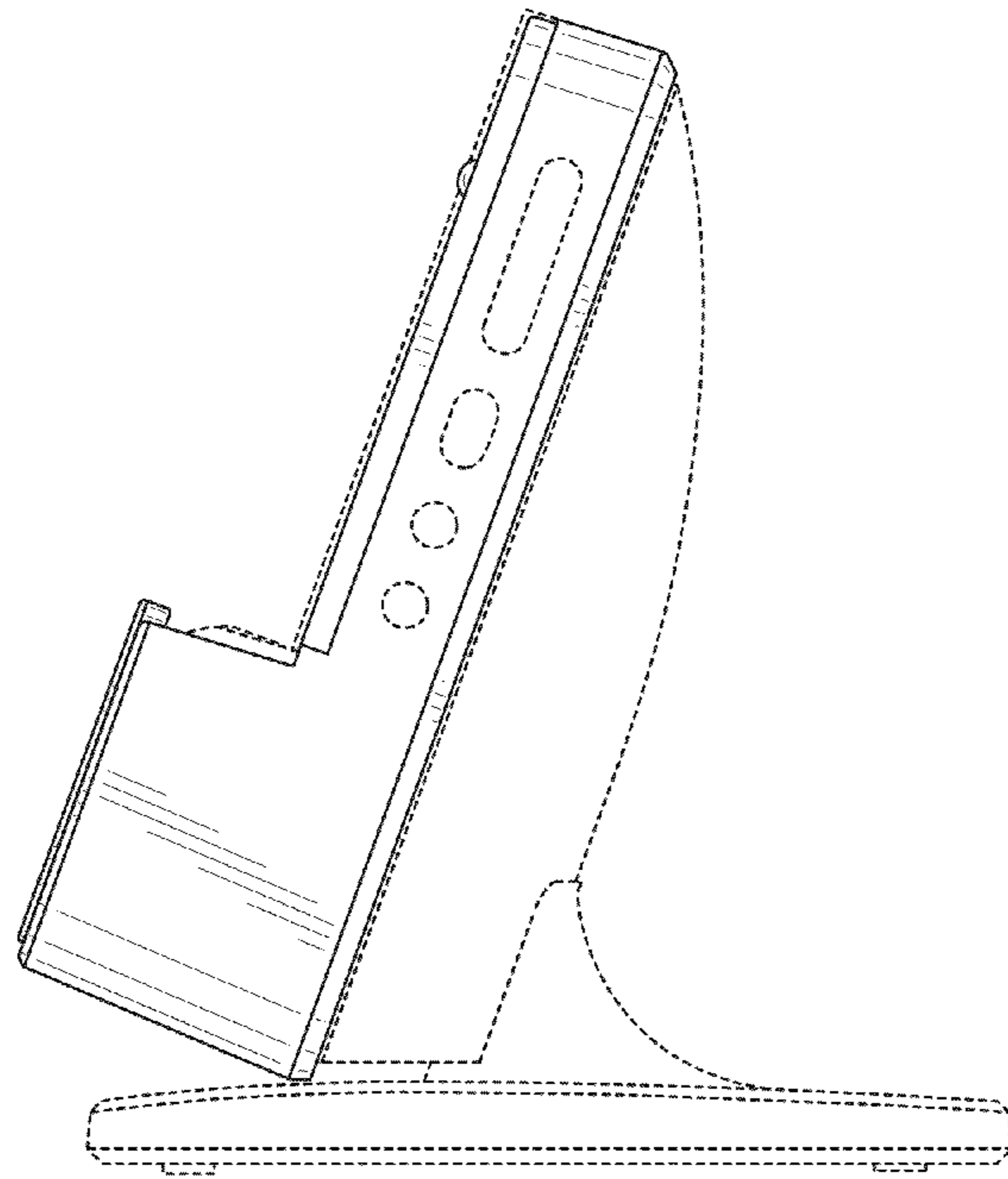


FIG. 6

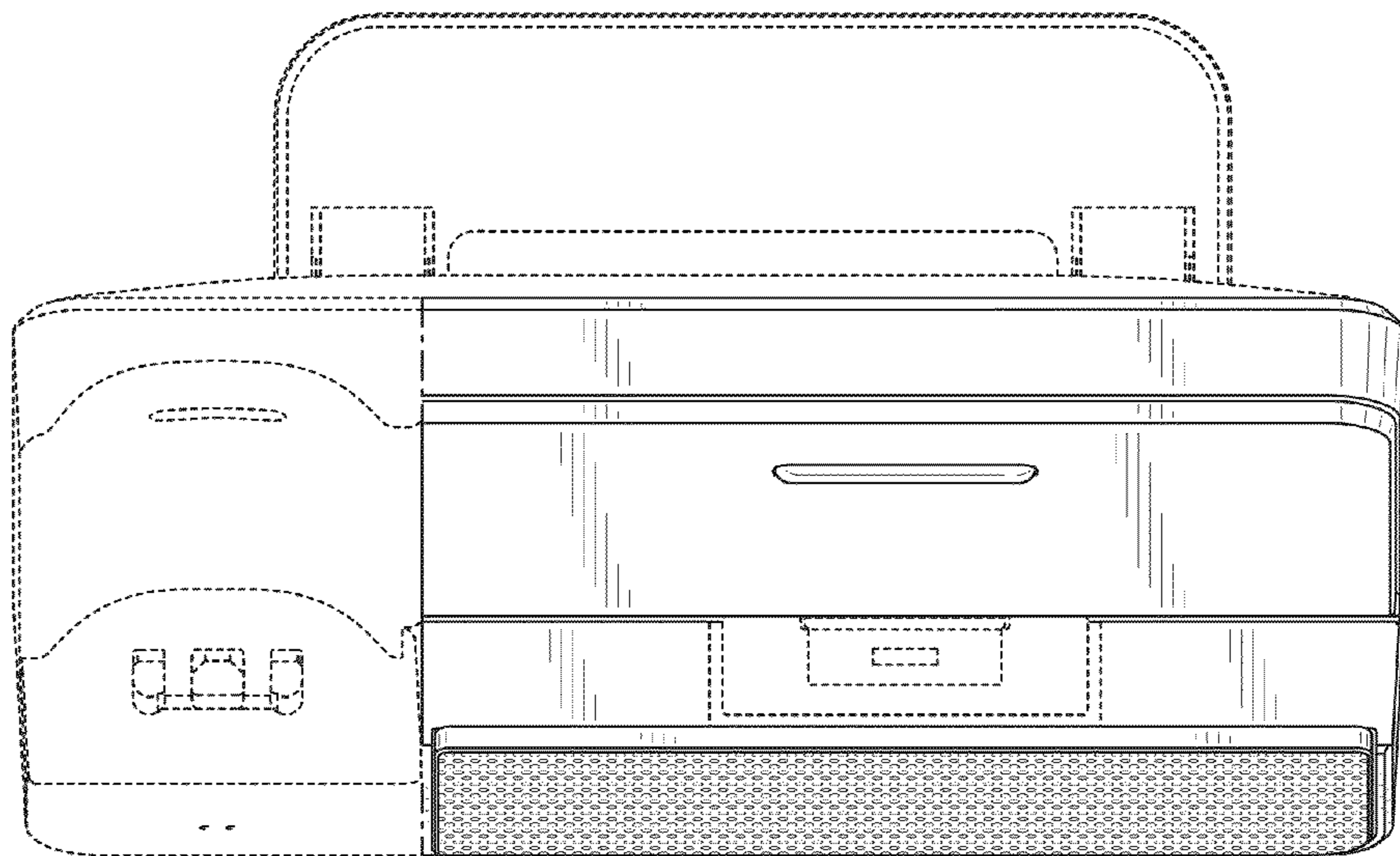




FIG. 7

