

US00D712367S

(12) **United States Design Patent**
Park et al.

(10) **Patent No.:** **US D712,367 S**
(45) **Date of Patent:** **** Sep. 2, 2014**

(54) **TELEVISION RECEIVER**

(71) Applicant: **Samsung Electronics Co., Ltd.**,
Suwon-si (KR)

(72) Inventors: **Hae-Sung Park**, Seoul (KR);
Hyung-Ho Hwangbo, Seoul (KR); **Rina Shin**,
Seoul (KR); **Christopher Edward Bangle**,
Borgata (IT)

(73) Assignee: **Samsung Electronics Co., Ltd.** (KR)

(**) Term: **14 Years**

(21) Appl. No.: **29/480,746**

(22) Filed: **Jan. 29, 2014**

(30) **Foreign Application Priority Data**

Aug. 1, 2013 (KR) 30-2013-0039891

(51) **LOC (10) Cl.** **14-03**

(52) **U.S. Cl.**
USPC **D14/126**

(58) **Field of Classification Search**
USPC D14/125-134, 239, 371, 136, 374-377,
D14/440, 450, 448, 336, 342, 159; 312/7.2;
348/836, 838, 180, 184, 325, 739;
248/917-924, 465; 345/104, 133, 156,
345/168, 87, 173; D21/329, 515, 577, 622,
D21/333, 433, 448, 452, 450, 331, 505;
D10/15, 26; 446/484, 175, 356;
D6/477, 479, 300

See application file for complete search history.

(56) **References Cited**

U.S. PATENT DOCUMENTS

D455,131 S * 4/2002 Reynaga et al. D14/126
D525,953 S * 8/2006 Anzures D14/126

D542,243 S * 5/2007 Lewis D14/126
D542,247 S * 5/2007 Kinoshita et al. D14/129
D550,635 S * 9/2007 DeMaio et al. D14/126
D551,184 S * 9/2007 Kanou et al. D14/126
D587,226 S * 2/2009 Funayama D14/126
D588,560 S * 3/2009 Mellingen et al. D14/126
D597,505 S * 8/2009 Hirasawa et al. D14/126
D603,815 S * 11/2009 Hirasawa et al. D14/126
D635,942 S * 4/2011 Kim et al. D14/126
D637,169 S * 5/2011 Kim et al. D14/126

* cited by examiner

Primary Examiner — Raphael Barkai

(74) *Attorney, Agent, or Firm* — Cantor Colburn LLP

(57) **CLAIM**

The ornamental design for a television receiver, as shown and described.

DESCRIPTION

FIG. 1 is a perspective view of a television receiver, showing our new design;
FIG. 2 is a front view thereof;
FIG. 3 is a rear view thereof;
FIG. 4 is a side view thereof;
FIG. 5 is another side view thereof;
FIG. 6 is a top plan view thereof;
FIG. 7 is a bottom plan view thereof;
FIG. 8 is a rear perspective view thereof;
FIG. 9 is another front view thereof, shown rotated into another configuration; and,
FIG. 10 is another front view thereof, shown further rotated into another configuration.
The broken lines are for environmental purpose only and form no part of the claimed design.
The shade lines in the figures show contour and not surface ornamentation.

1 Claim, 9 Drawing Sheets

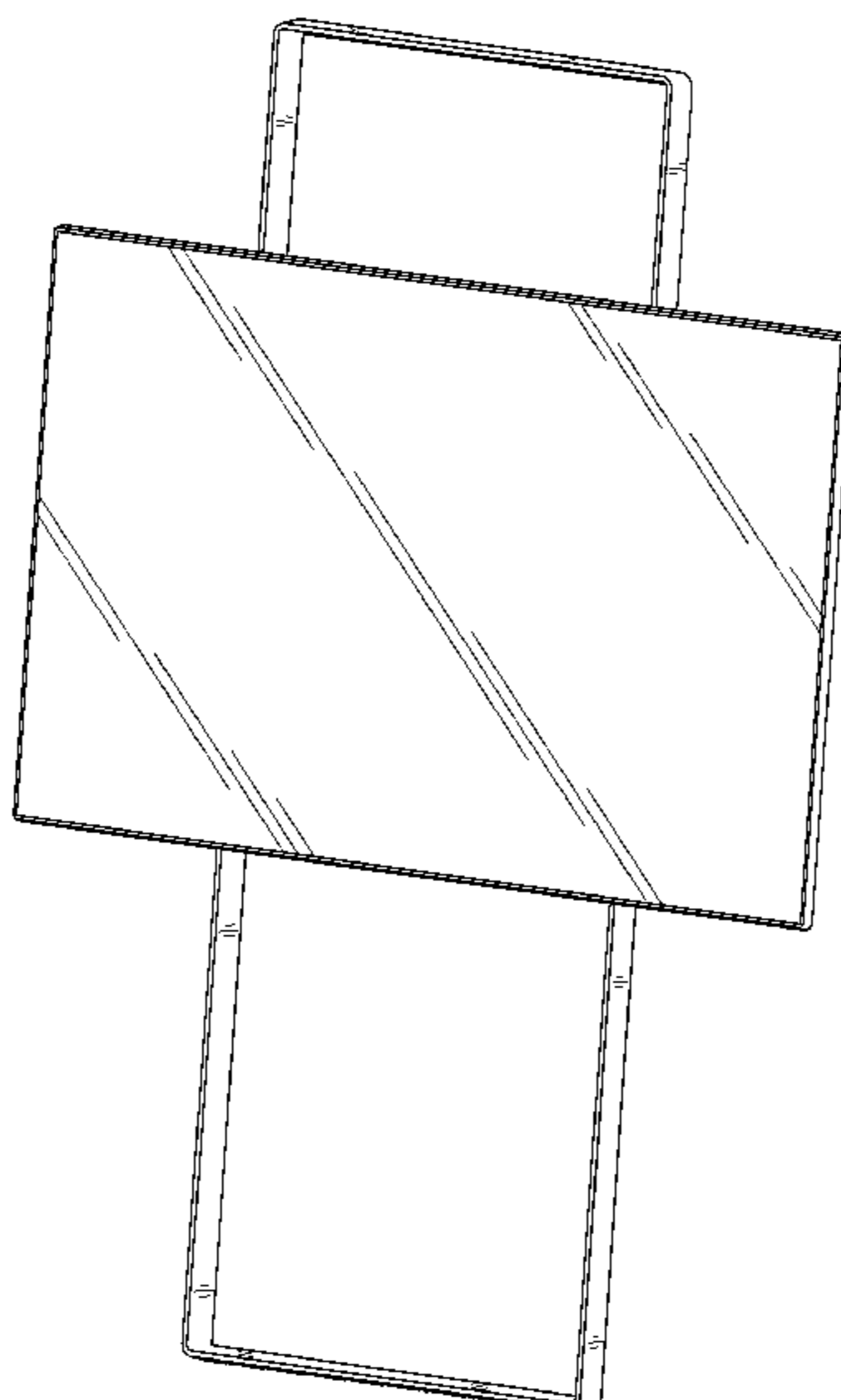


FIG. 1

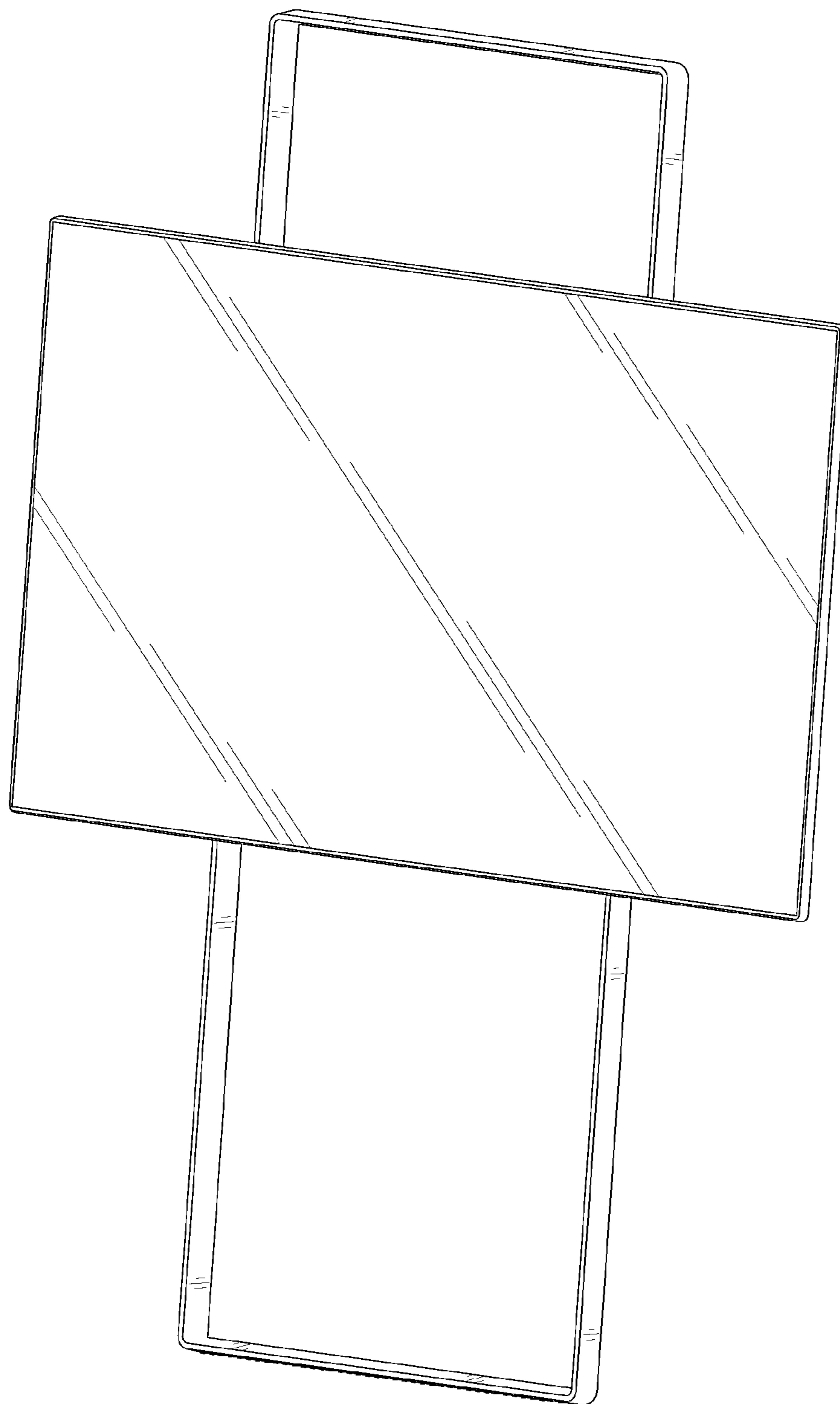


FIG. 2

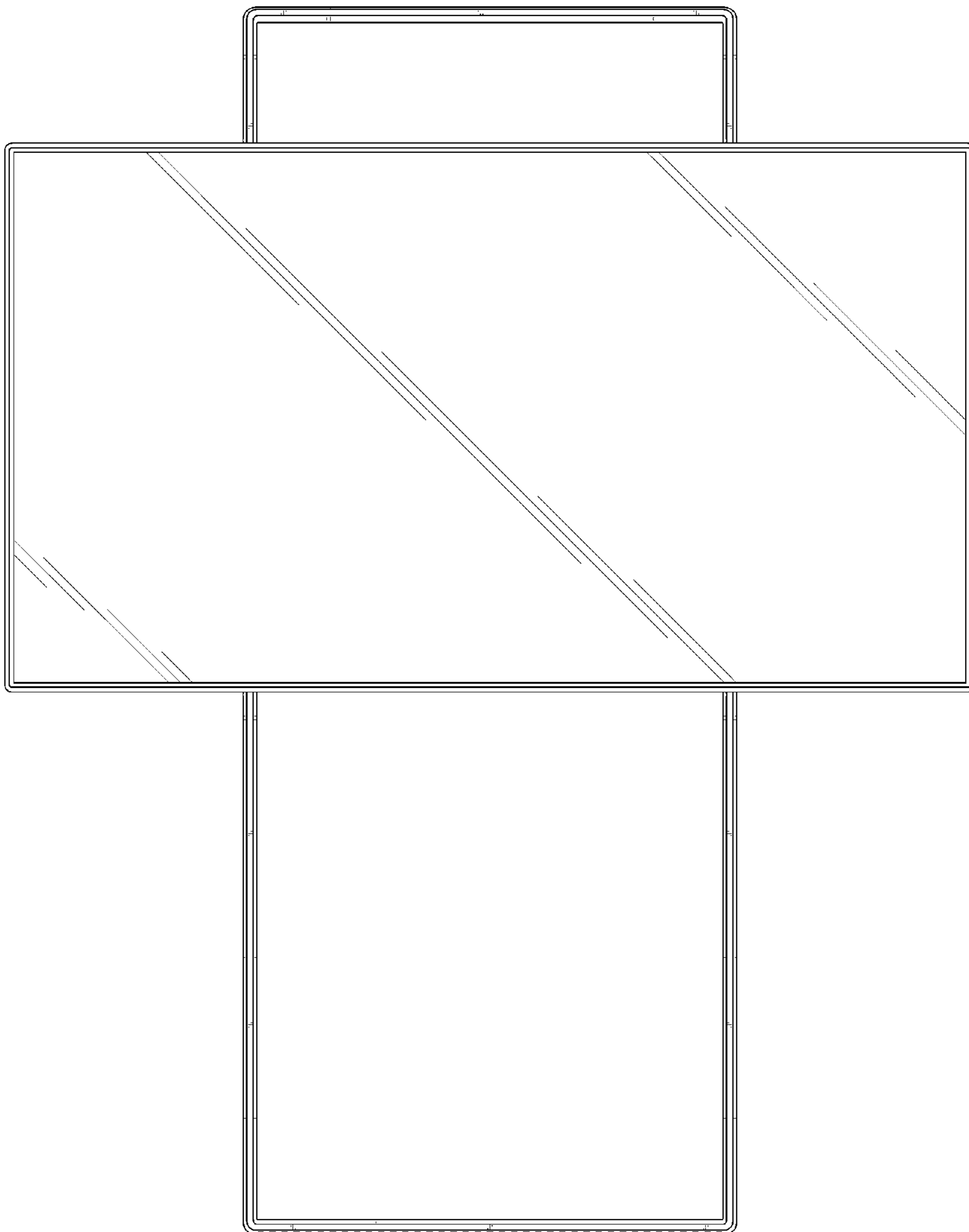


FIG. 3

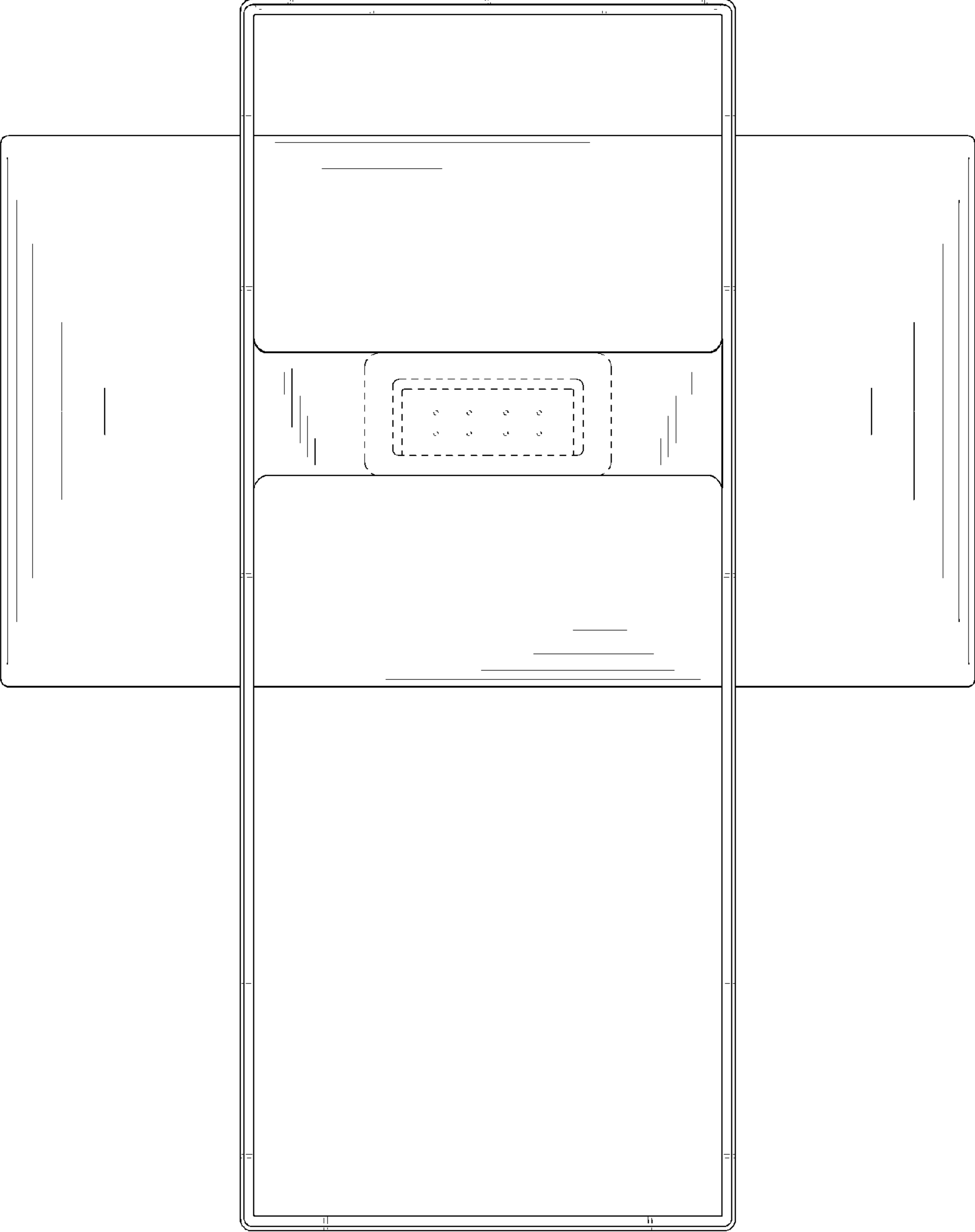


FIG. 4

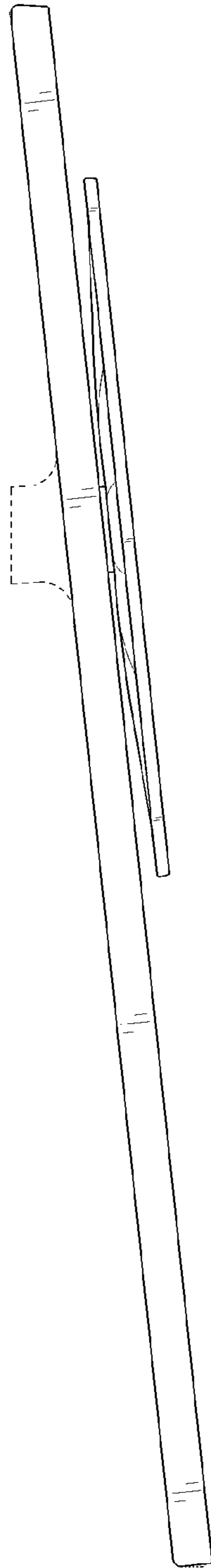


FIG. 5

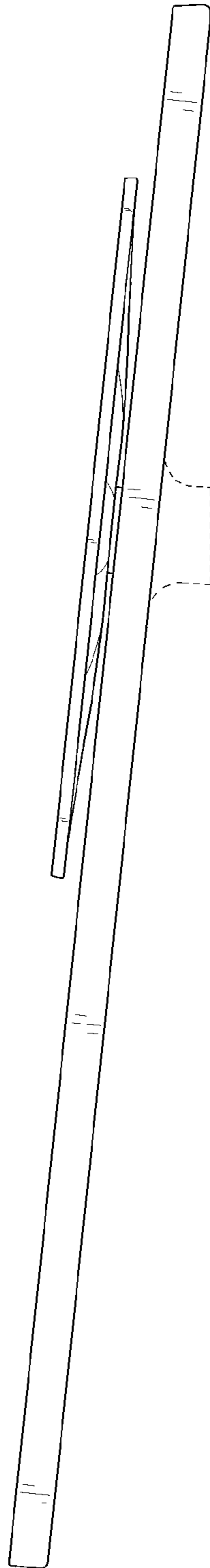


FIG. 6

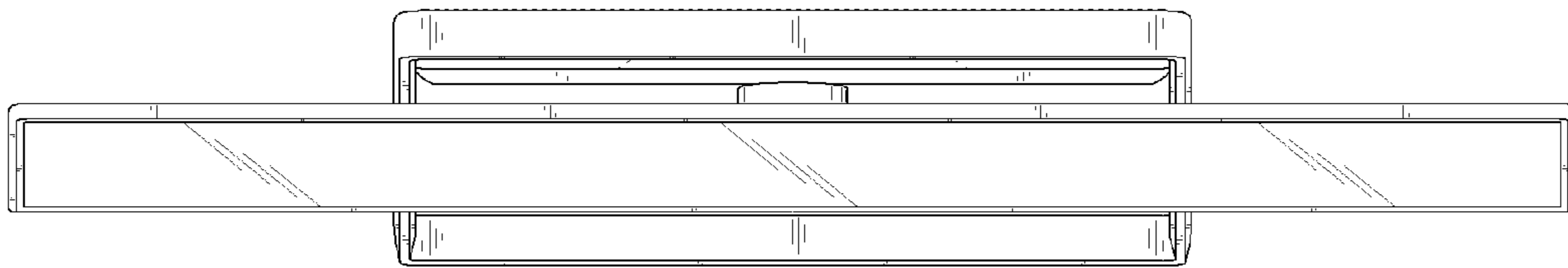


FIG. 7

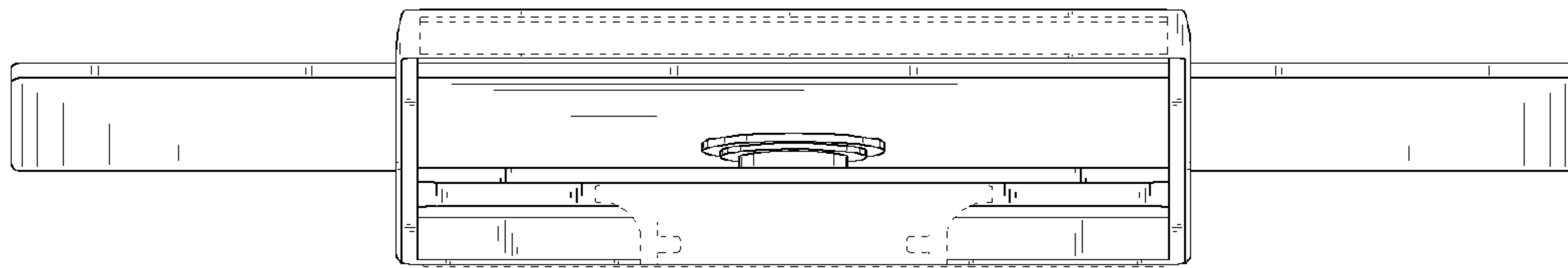


FIG. 8

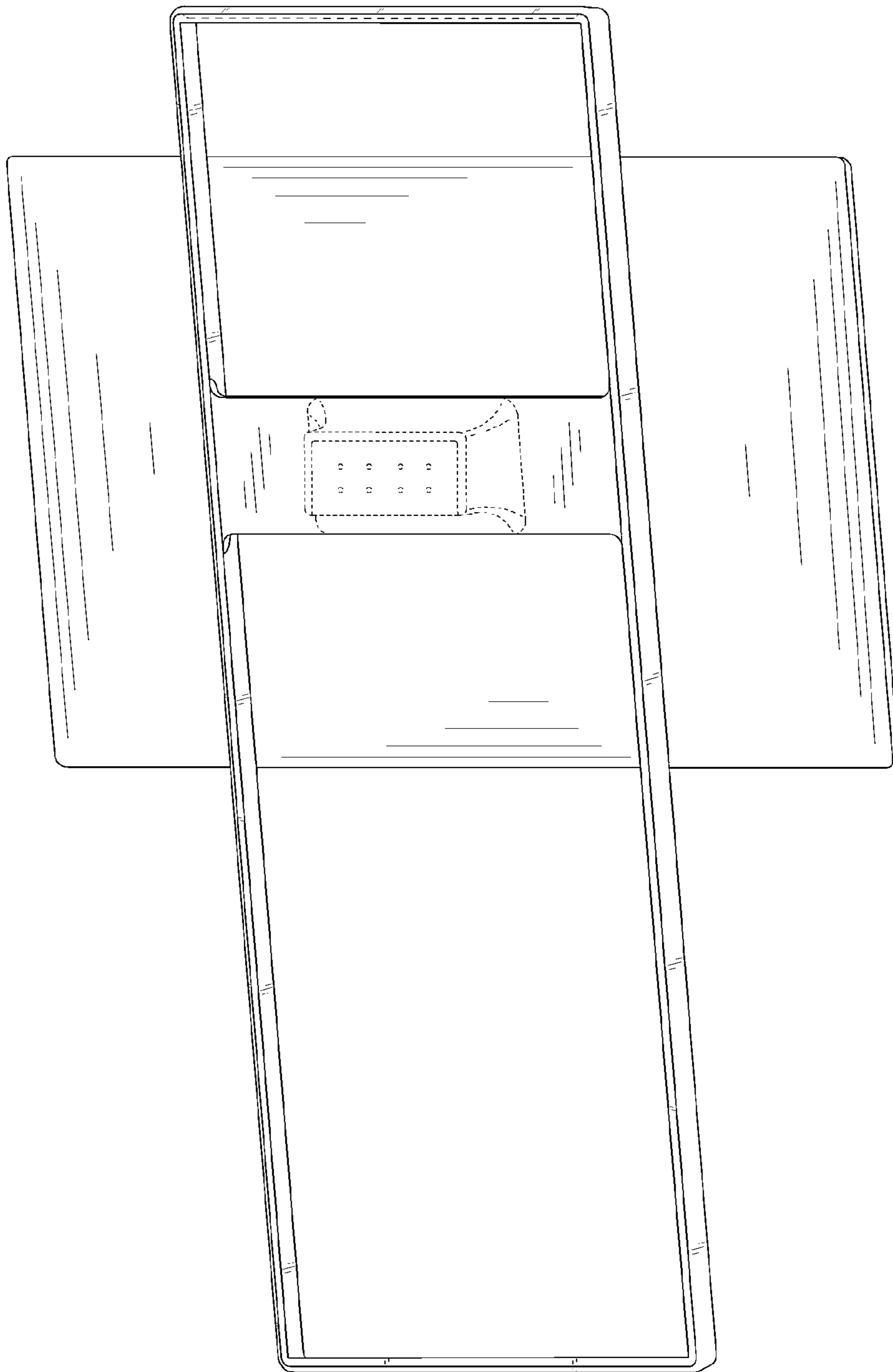


FIG. 9

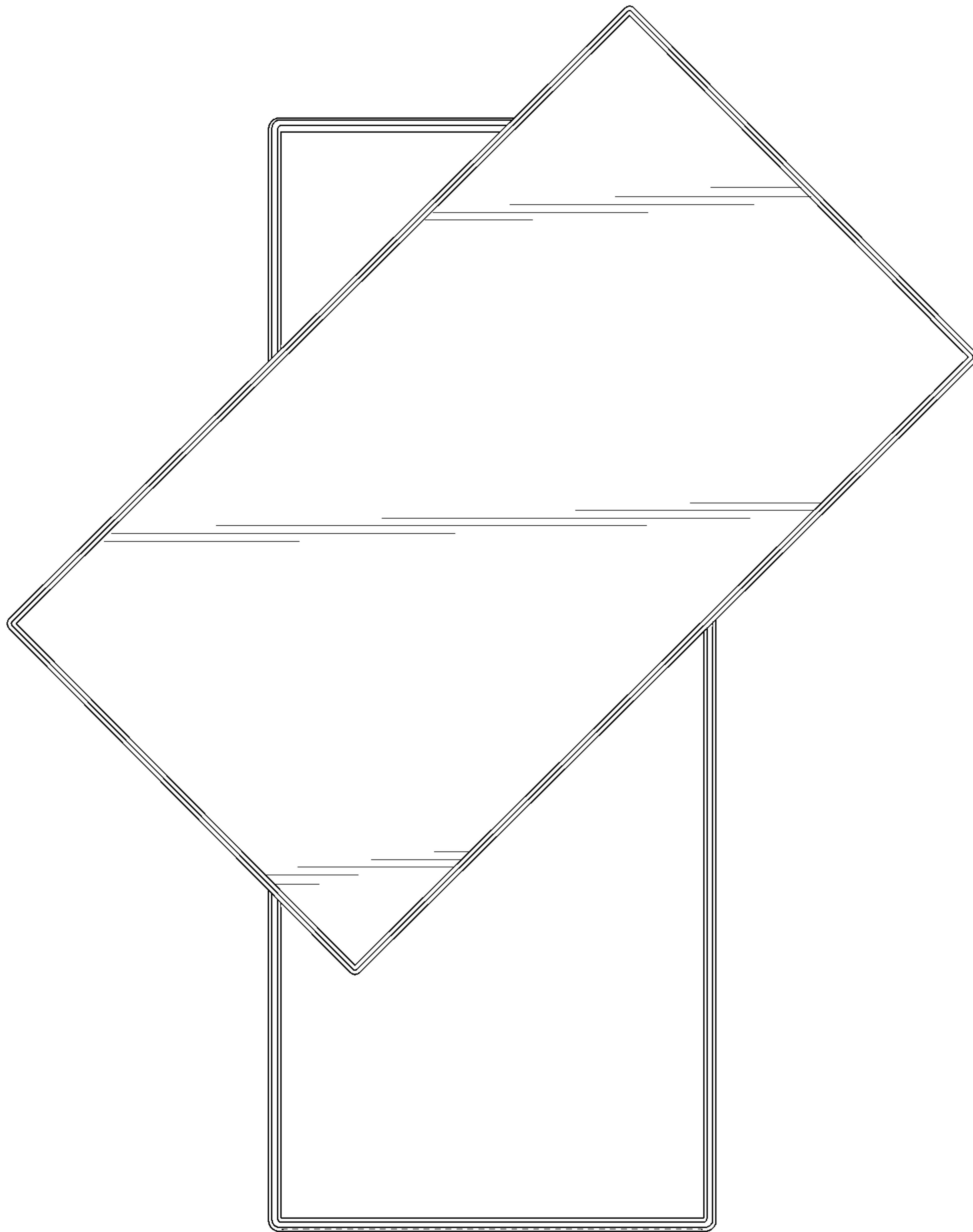


FIG. 10

