



US00D712365S

(12) **United States Design Patent**
Yu et al.

(10) **Patent No.:** **US D712,365 S**

(45) **Date of Patent:** **** Sep. 2, 2014**

(54) **LIQUID CRYSTAL DISPLAY**

(71) Applicant: **Hon Hai Precision Industry Co., Ltd.**,
New Taipei (TW)

(72) Inventors: **Zhan-Ao Yu**, Shenzhen (CN); **Quan Liao**, Shenzhen (CN); **Te-Hsu Wang**,
New Taipei (TW); **Chih-Kang Cho**,
New Taipei (TW)

(73) Assignee: **Hon Hai Precision Industry Co., Ltd.**,
New Taipei (TW)

(**) Term: **14 Years**

(21) Appl. No.: **29/477,844**

(22) Filed: **Jan. 17, 2014**

(30) **Foreign Application Priority Data**

Nov. 28, 2013 (CN) 2013 3 05844756

(51) **LOC (10) Cl.** **14-03**

(52) **U.S. Cl.**
USPC **D14/126**

(58) **Field of Classification Search**
USPC D14/125-134, 239, 371, 136, 374-377,
D14/440, 450, 448, 336, 342, 159; 312/7.2;
348/836, 838, 180, 184, 325, 739;
248/917-924, 465; 345/104, 133, 156,
345/168, 87, 173; D21/329, 515, 577, 622,
D21/333, 433, 448, 452, 450, 331, 505;
D10/15, 26; 446/484, 175, 356;
D6/477, 479, 300

See application file for complete search history.

(56) **References Cited**

U.S. PATENT DOCUMENTS

D618,641 S *	6/2010	Kim et al.	D14/126
D621,374 S *	8/2010	Kim et al.	D14/126
D628,176 S *	11/2010	Chien	D14/126
D639,258 S *	6/2011	Chien	D14/126
D646,244 S *	10/2011	Araki	D14/126
D649,948 S *	12/2011	Chiu	D14/126
D661,674 S *	6/2012	Chiu	D14/126
D697,880 S *	1/2014	Lee et al.	D14/126
D697,881 S *	1/2014	Lee et al.	D14/126

* cited by examiner

Primary Examiner — Raphael Barkai

(74) *Attorney, Agent, or Firm* — Novak Druce Connolly
Bove + Quigg LLP

(57) **CLAIM**

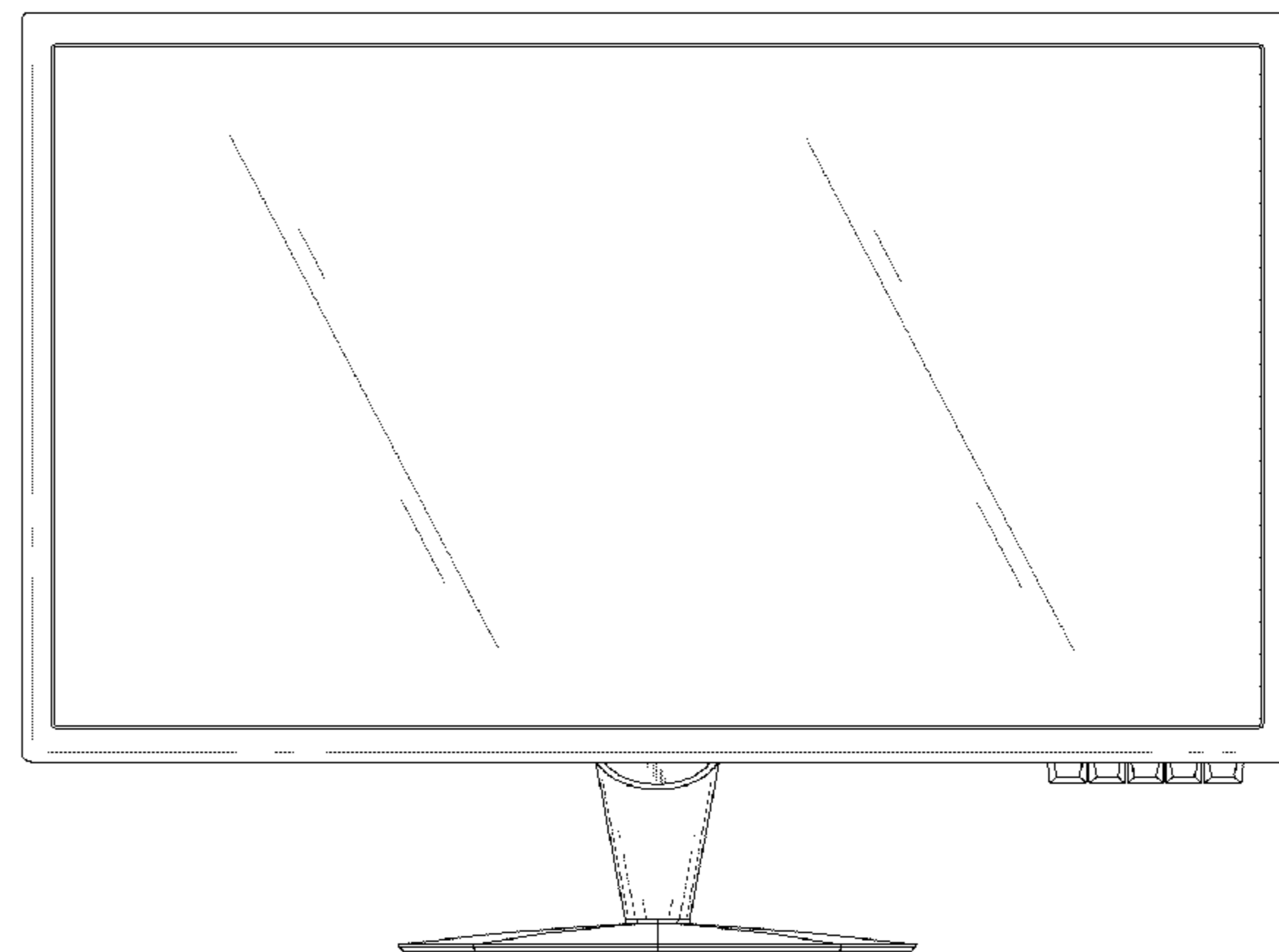
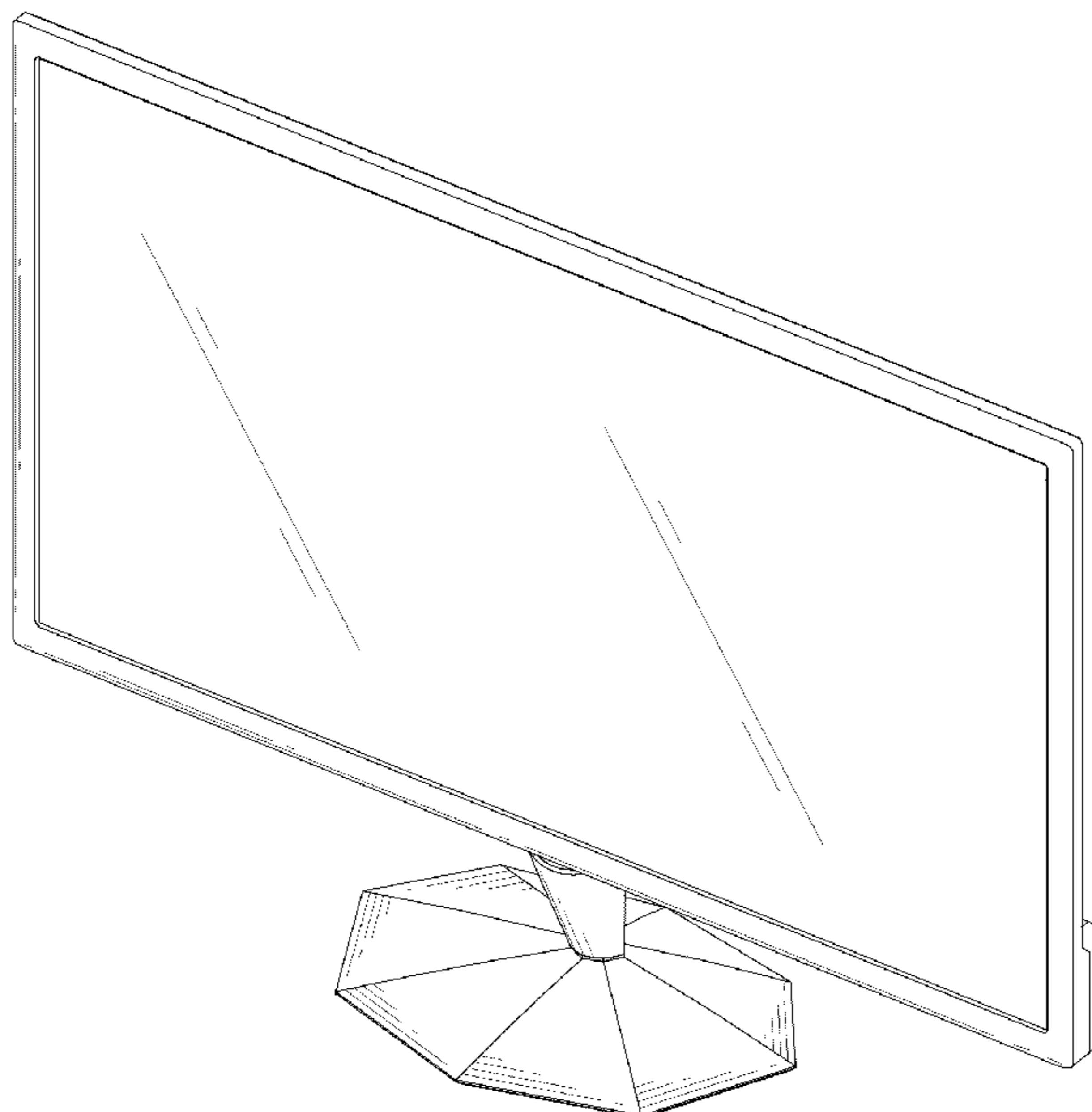
The ornamental design for a liquid crystal display, as shown
and described.

DESCRIPTION

FIG. 1 is a perspective view of a liquid crystal display;
FIG. 2 is a front elevational view thereof;
FIG. 3 is a rear elevational view thereof;
FIG. 4 is a left side elevational view thereof;
FIG. 5 is a right side elevational view thereof;
FIG. 6 is a top plan view thereof;
FIG. 7 is a bottom plan view thereof; and,
FIG. 8 is a perspective view of another aspect of the liquid
crystal display.

The broken lines shown in the figures form no part of the
claimed design and the shade lines in the figures show contour
and not surface ornamentation.

1 Claim, 8 Drawing Sheets



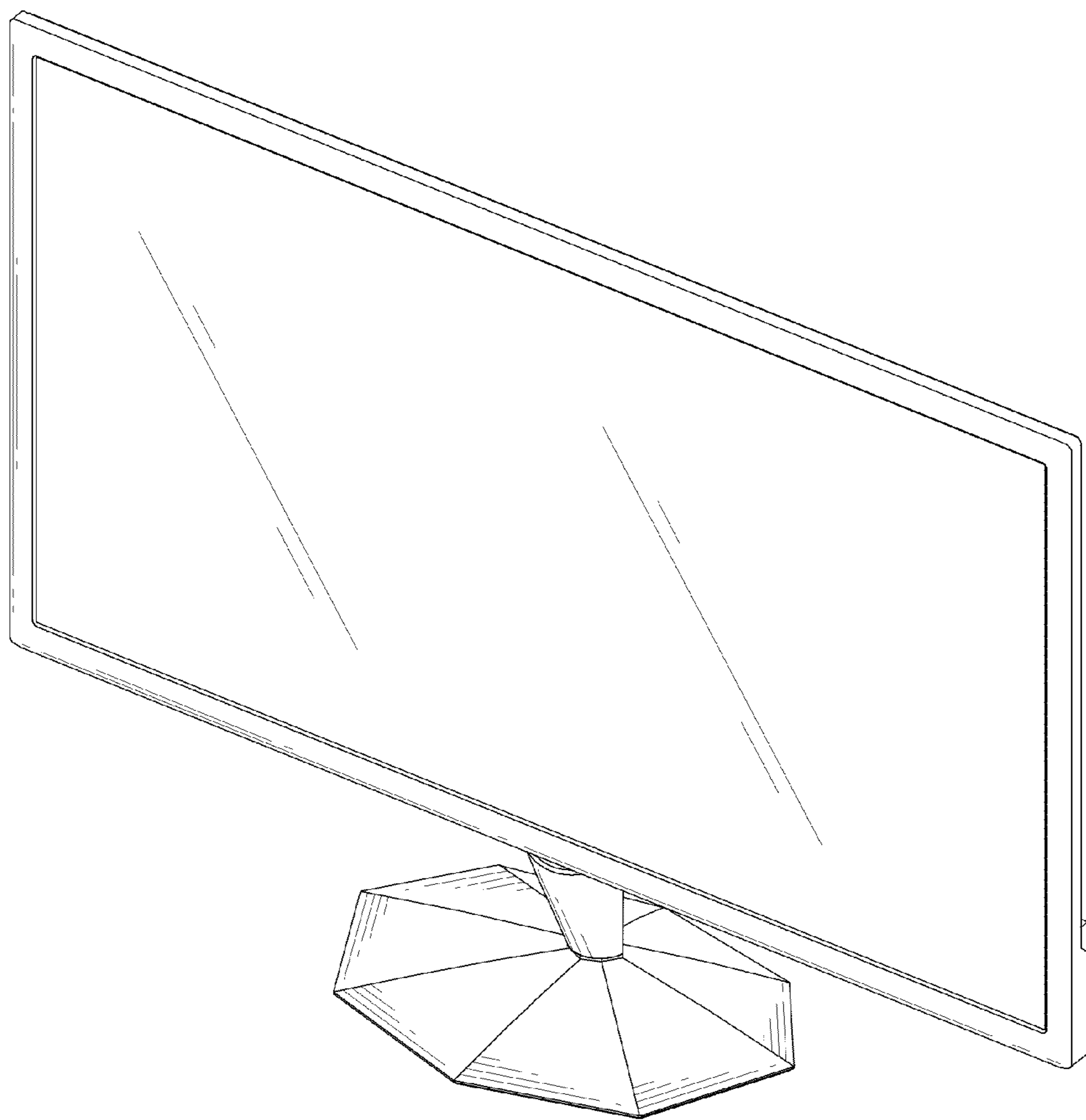


FIG. 1

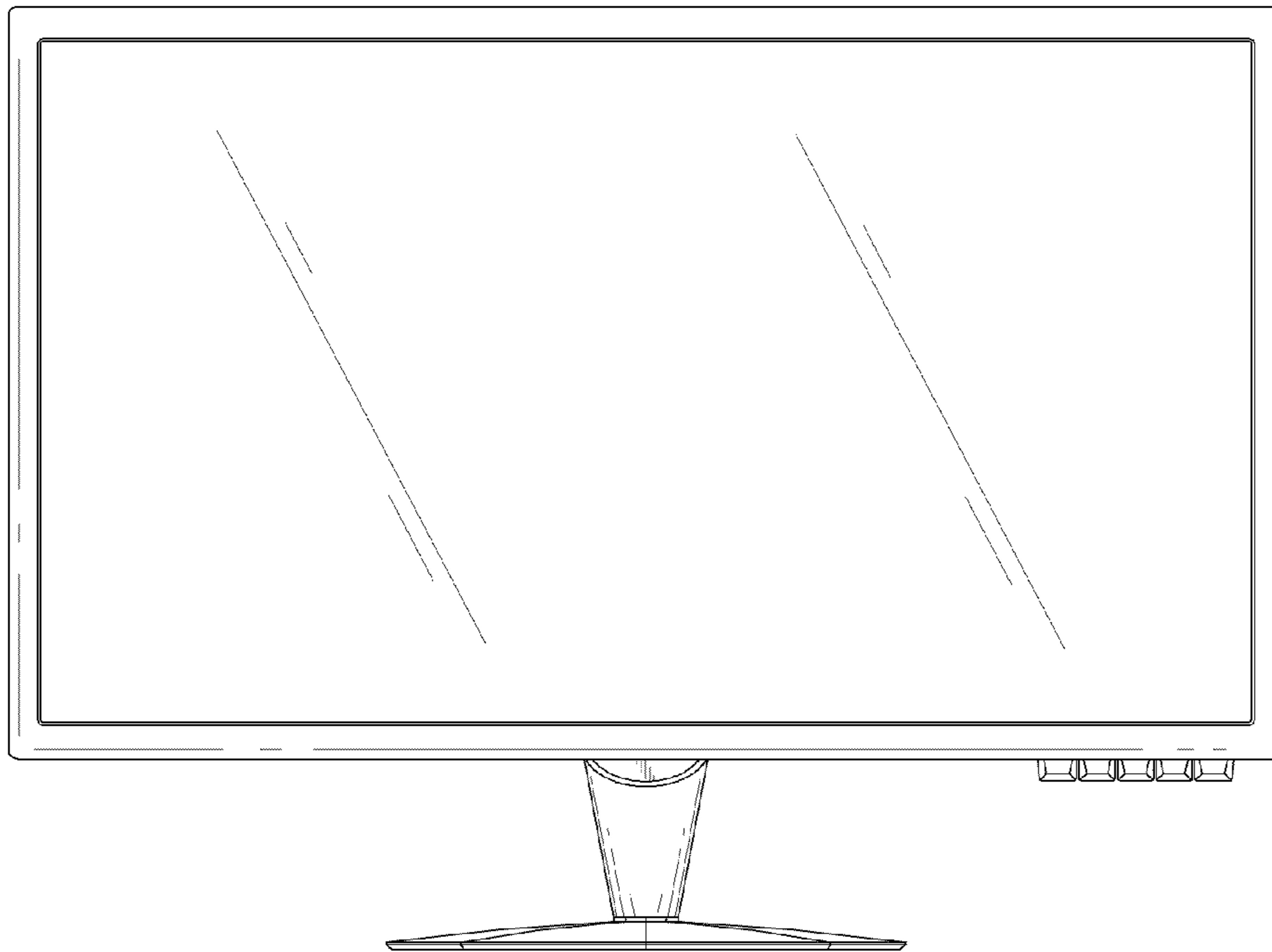


FIG. 2

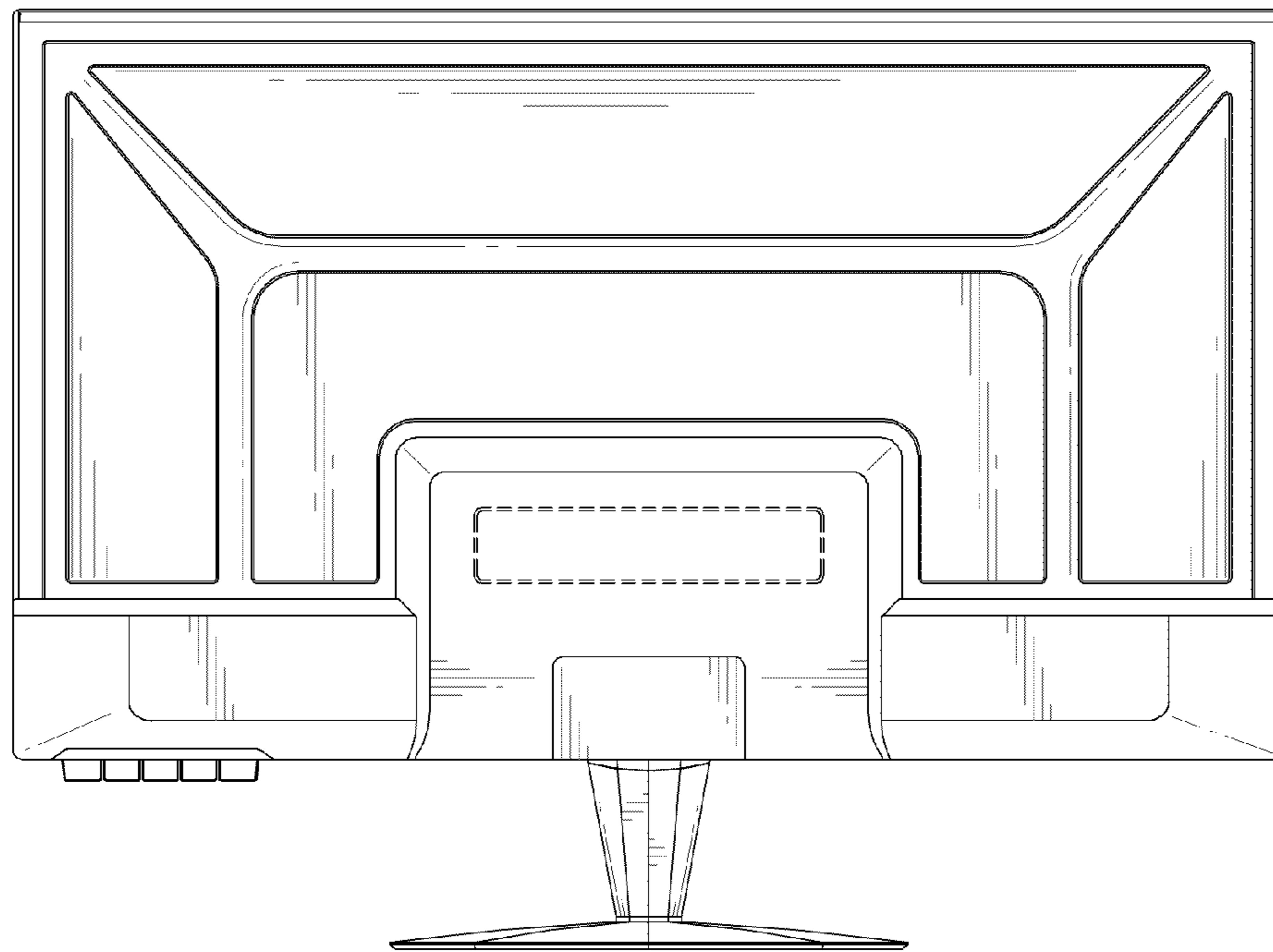


FIG. 3

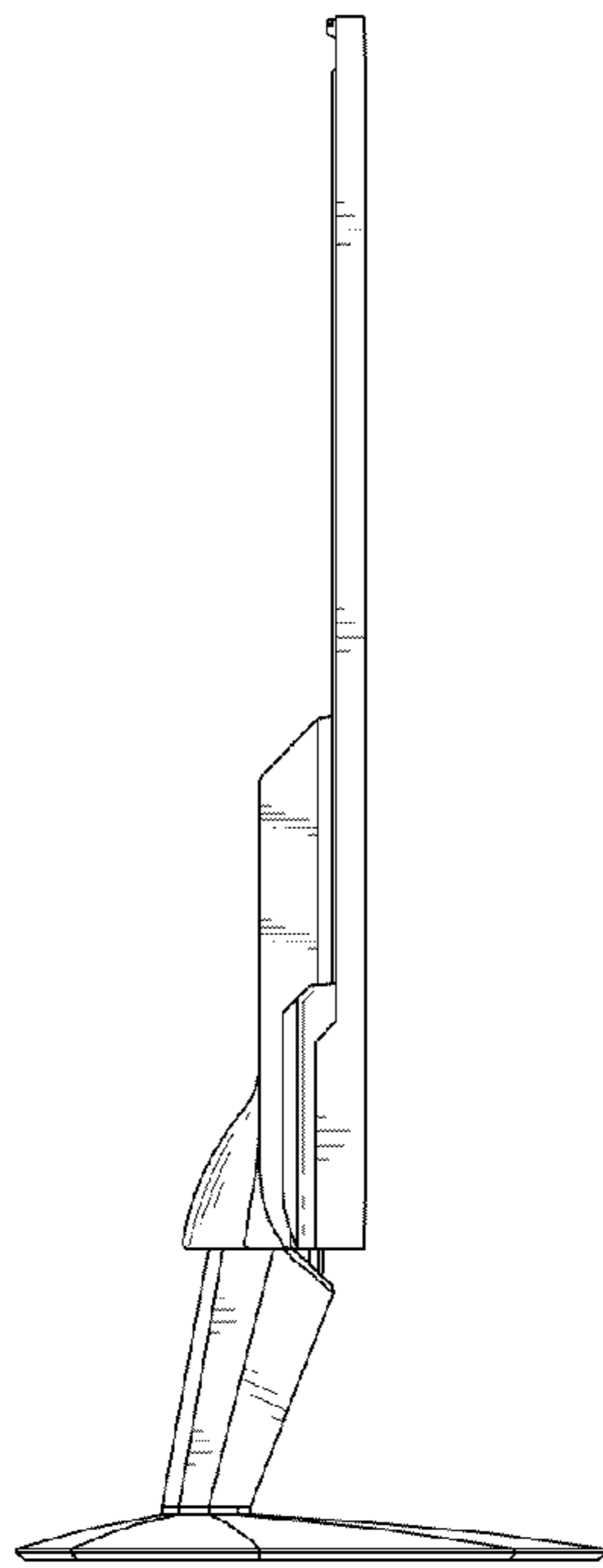


FIG. 4

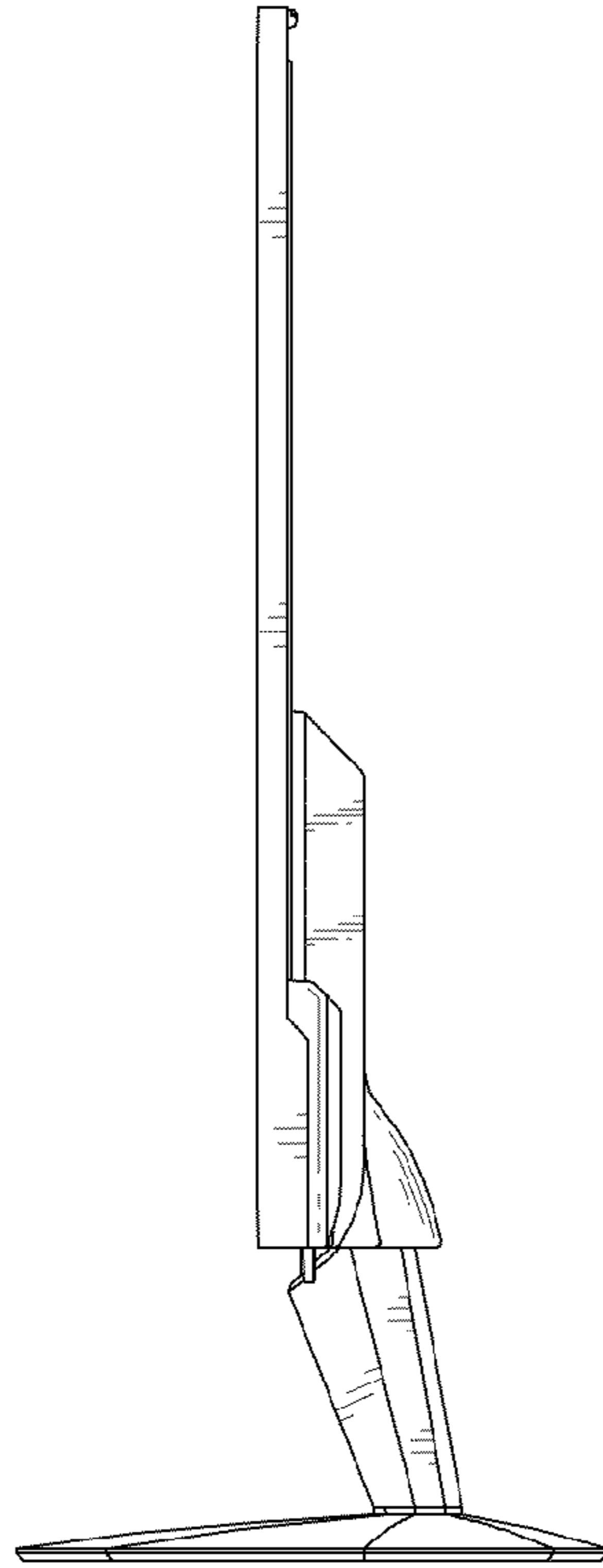


FIG. 5

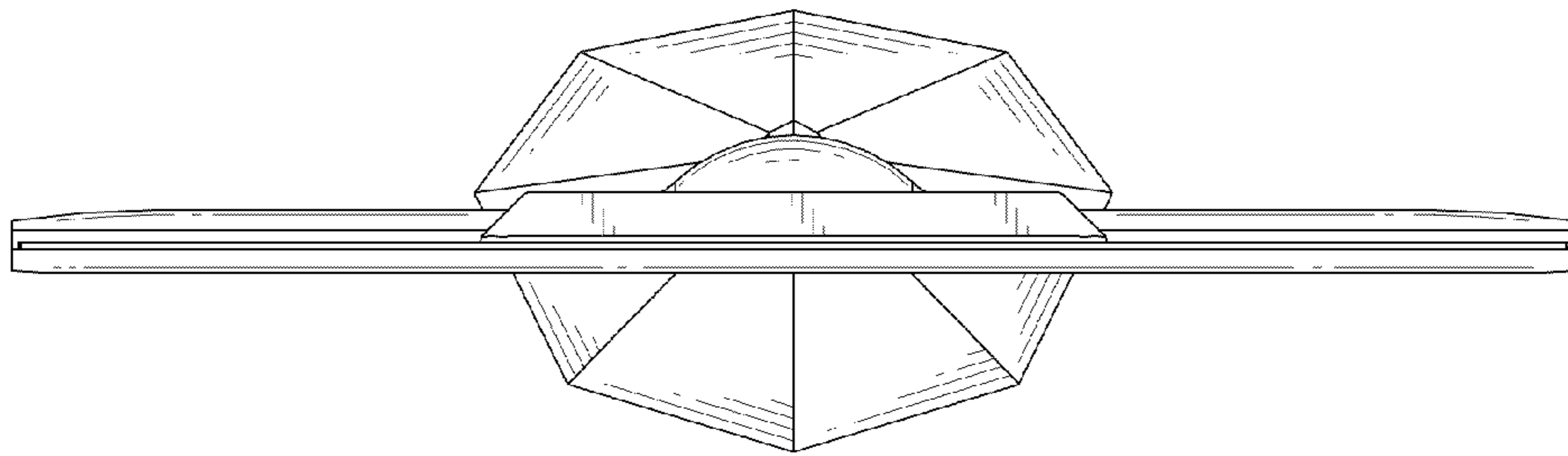


FIG. 6

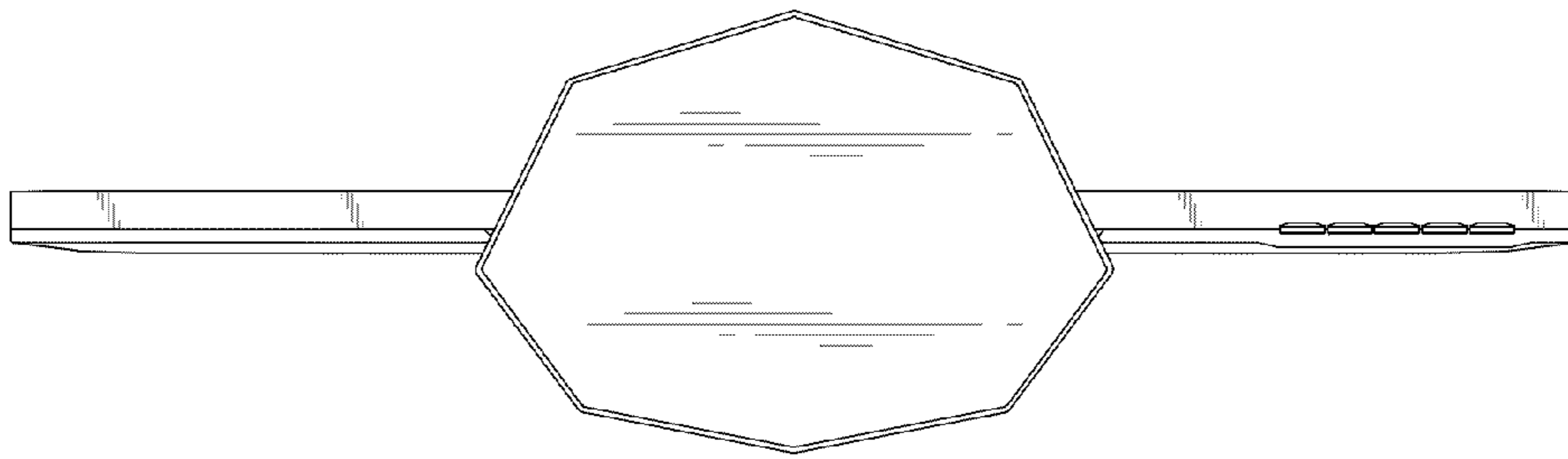


FIG. 7

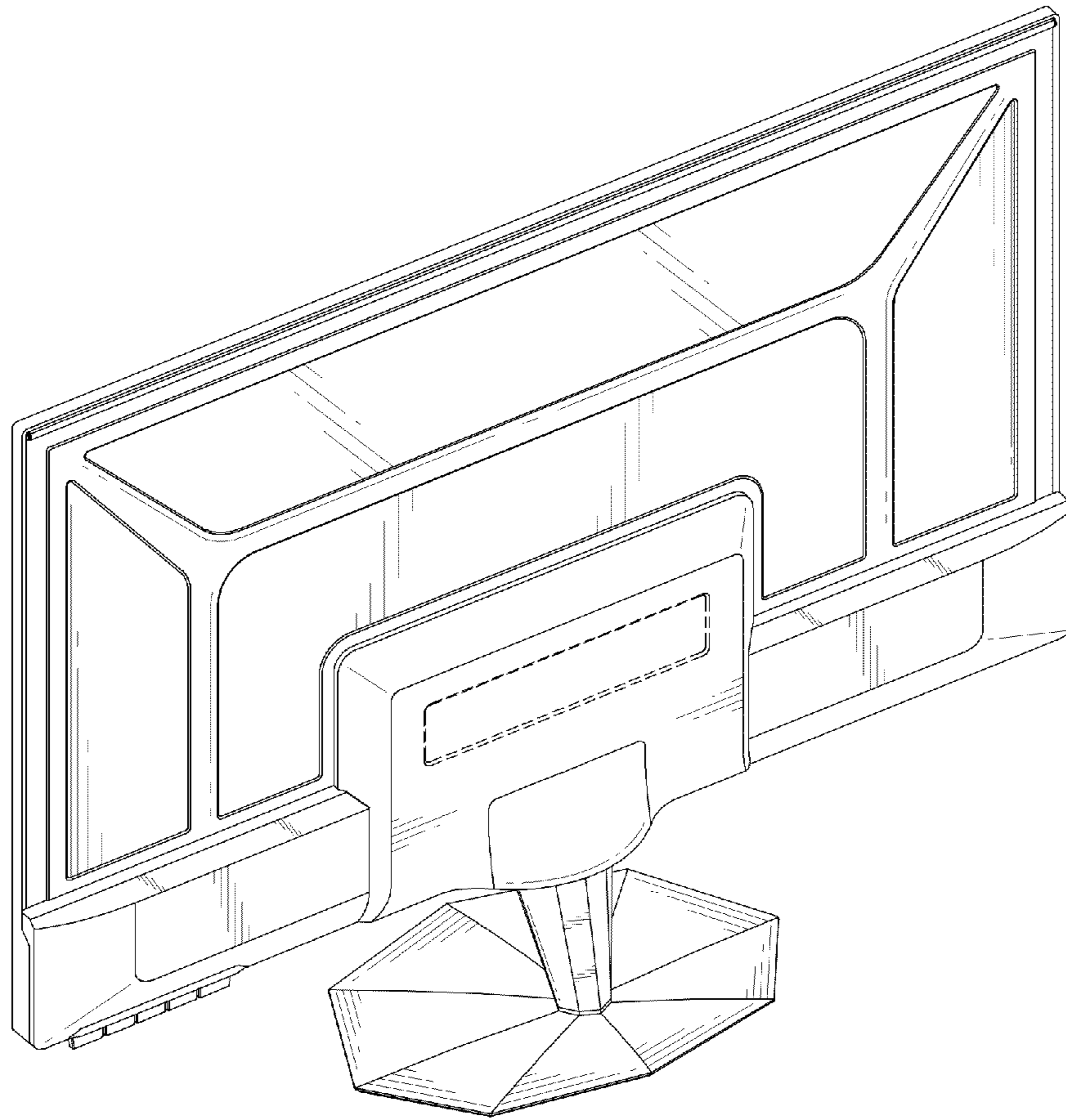


FIG. 8