



US00D712364S

(12) **United States Design Patent**
Lu et al.

(10) **Patent No.:** **US D712,364 S**
(45) **Date of Patent:** **** Sep. 2, 2014**

- (54) **EUV POD**
- (75) Inventors: **Pao-Yi Lu**, New Taipei (TW); **Cheng-Ju Lee**, New Taipei (TW); **Chen-Wei Ku**, New Taipei (TW)
- (73) Assignee: **Gudeng Precision Industrial Co., Ltd.**, New Taipei (TW)

7,607,543	B2 *	10/2009	Gregerson et al.	206/710
7,804,583	B2 *	9/2010	Phillips et al.	355/75
D641,720	S *	7/2011	Heng et al.	D13/182
8,220,630	B1 *	7/2012	Ku et al.	206/454
8,403,143	B2 *	3/2013	Chiu et al.	206/454
2003/0218728	A1 *	11/2003	del Puerto et al.	355/51
2004/0005209	A1 *	1/2004	Su et al.	414/217.1
2007/0206173	A1 *	9/2007	Suzuki et al.	355/75
2009/0301917	A1 *	12/2009	Kolbow et al.	206/454

(**) Term: **14 Years**

(21) Appl. No.: **29/420,457**

(22) Filed: **May 9, 2012**

(51) **LOC (10) Cl.** **13-03**

(52) **U.S. Cl.**
USPC **D13/182**

(58) **Field of Classification Search**
USPC D13/182; D26/1, 24, 26; 361/713, 728, 361/736, 775; 257/678, 690; 362/630, 631; 206/454, 710, 711, 832; 355/30, 72, 355/75; 220/23.87, 23.89
See application file for complete search history.

(56) **References Cited**

U.S. PATENT DOCUMENTS

6,646,720	B2 *	11/2003	Ramamoorthy et al.	355/72
7,400,383	B2 *	7/2008	Halbmaier et al.	355/72
7,420,655	B2 *	9/2008	Matsutori et al.	355/75
7,477,358	B2 *	1/2009	Phillips et al.	355/75

* cited by examiner

Primary Examiner — Elizabeth J Oswecki

(74) *Attorney, Agent, or Firm* — Muncy, Geissler, Olds & Lowe, P.C.

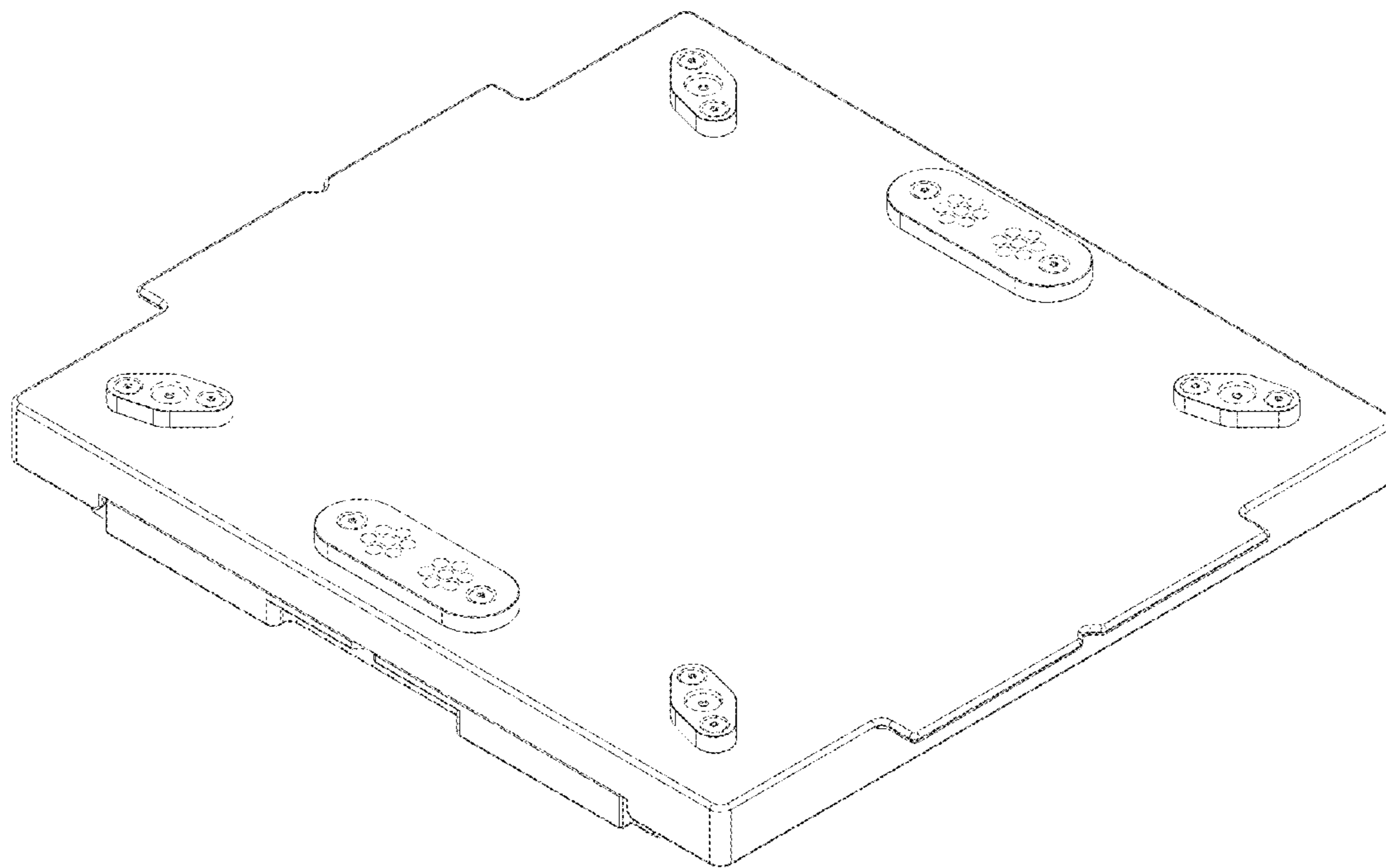
(57) **CLAIM**

The ornamental design for an EUV pod, as shown and described.

DESCRIPTION

FIG. 1 is a perspective view of an EUV pod showing our new design;
FIG. 2 is a front view thereof;
FIG. 3 is a back view thereof;
FIG. 4 is a left side view thereof;
FIG. 5 is a right side view thereof;
FIG. 6 is a top plan view thereof; and,
FIG. 7 is a bottom plan view thereof.
The broken line showing is for the purpose of illustrating portions of the article which form no part of the claimed design.

1 Claim, 5 Drawing Sheets



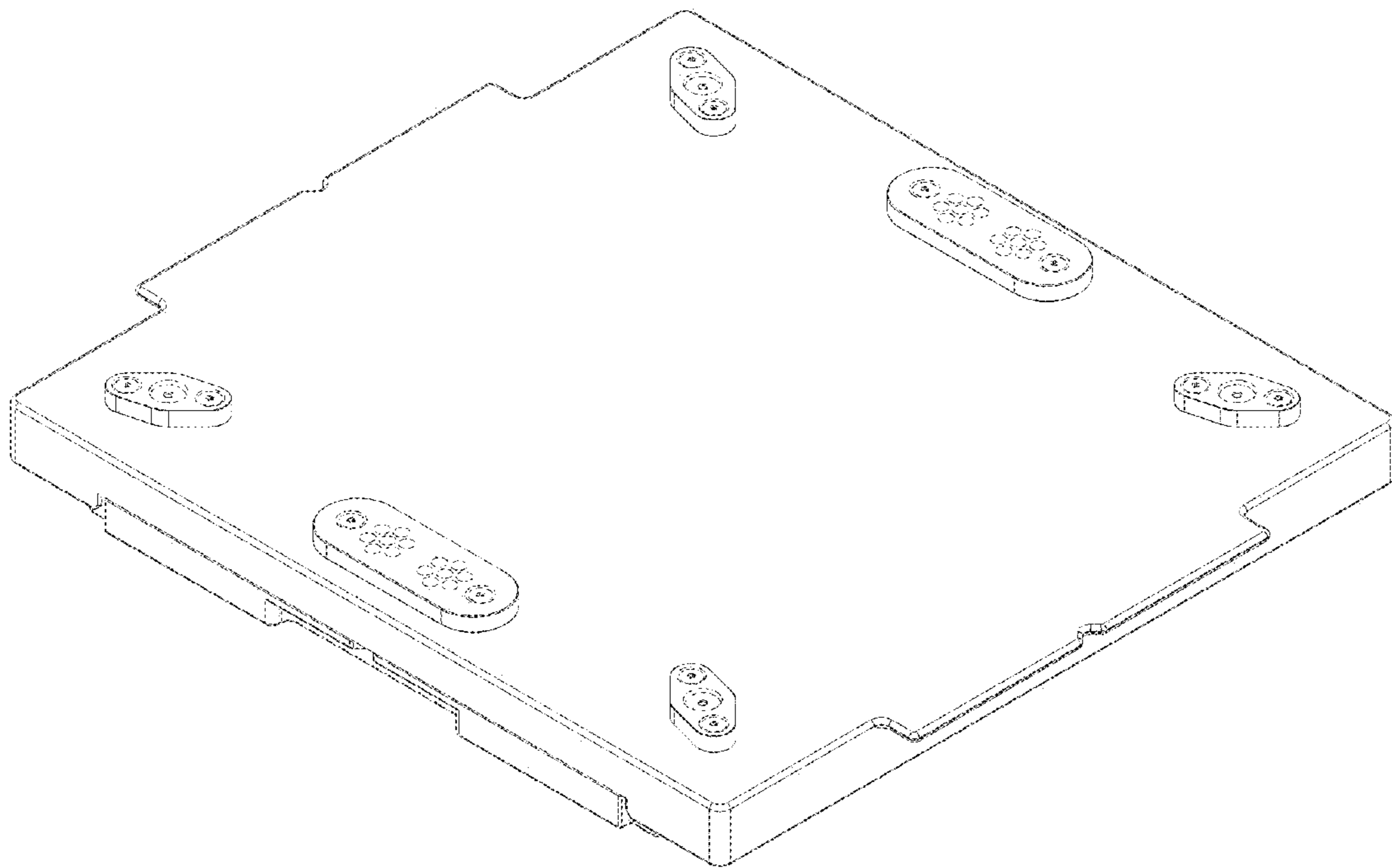


FIG. 1

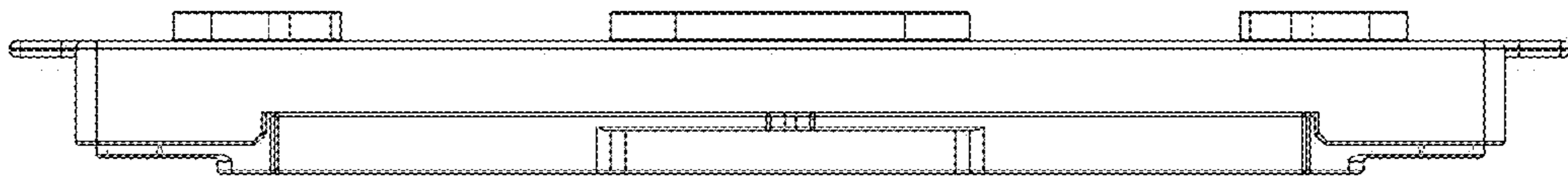


FIG. 2

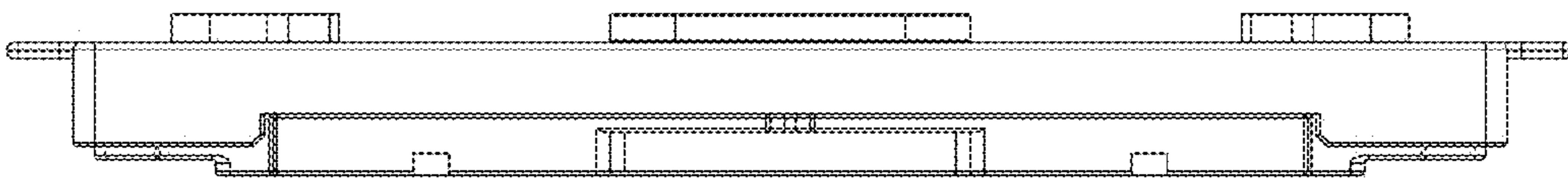


FIG. 3

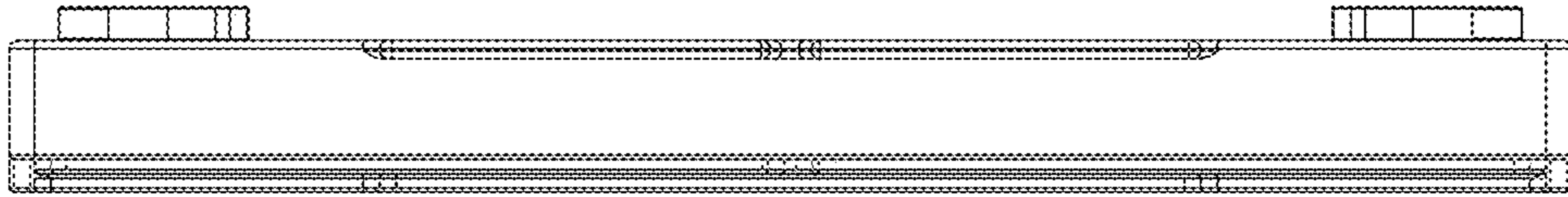


FIG. 4

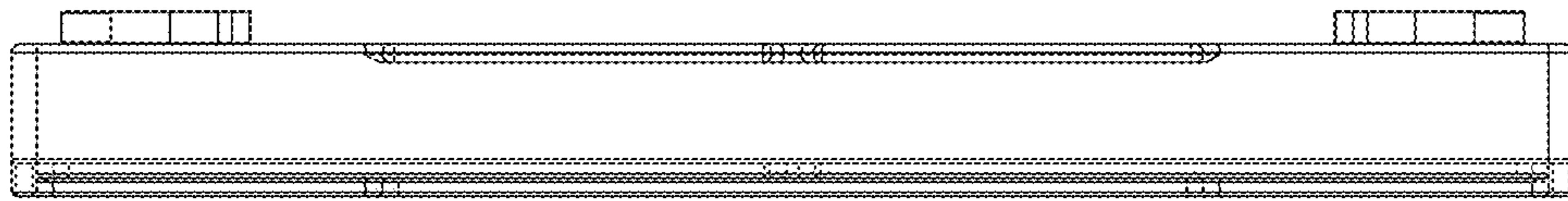


FIG. 5

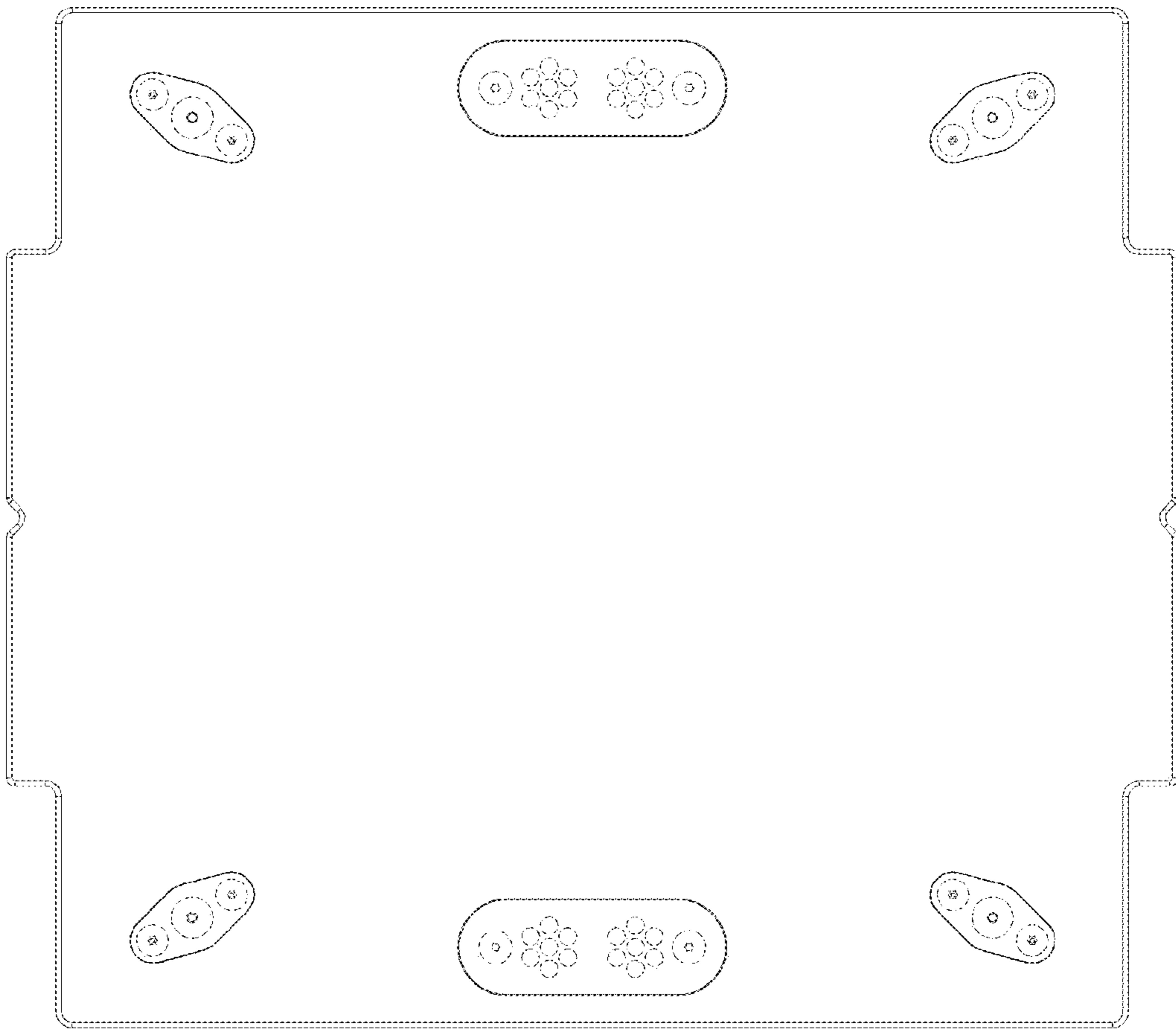


FIG. 6

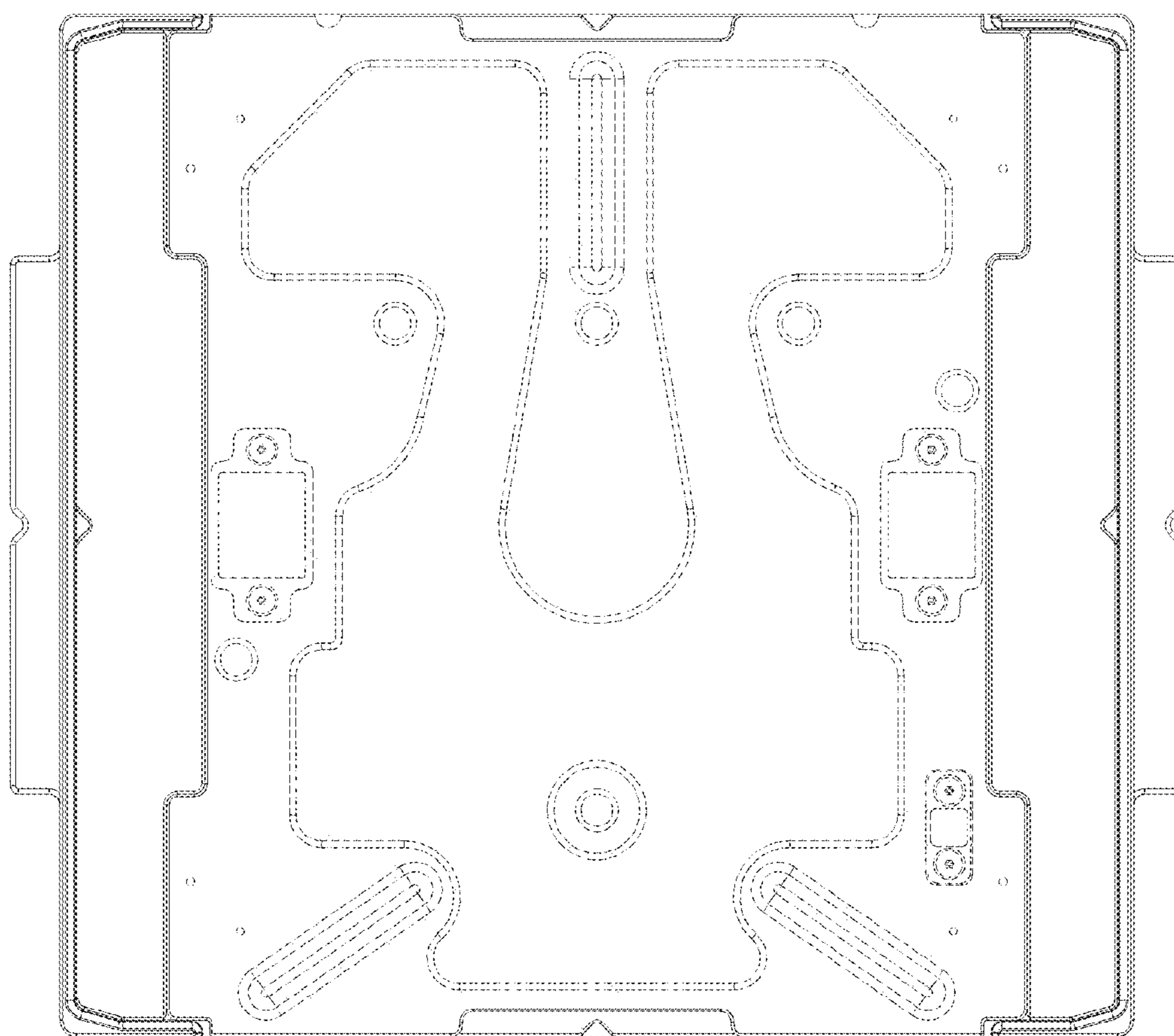


FIG. 7