



US00D712363S

(12) **United States Design Patent**
Clymer et al.

(10) **Patent No.:** **US D712,363 S**

(45) **Date of Patent:** **** Sep. 2, 2014**

(54) **LOAD CONTROL DEVICE**

(71) Applicant: **Lutron Electronics Co., Inc.**,
Coopersburg, PA (US)

(72) Inventors: **Erica L. Clymer**, Nazareth, PA (US);
Brad Michael Kreschollek, Bethlehem,
PA (US); **Matthew Philip McDonald**,
Phoenixville, PA (US); **Elliot G. Jacoby**,
Glenside, PA (US); **Joel S. Spira**,
Coopersburg, PA (US)

(73) Assignee: **Lutron Electronics Co., Inc.**,
Coopersburg, PA (US)

(**) Term: **14 Years**

(21) Appl. No.: **29/449,237**

(22) Filed: **Mar. 14, 2013**

(51) **LOC (10) Cl.** **14-03**

(52) **U.S. Cl.**
USPC **D13/168**

(58) **Field of Classification Search**
USPC D13/168; D10/104.1, 106.1; D14/218;
D21/324; 315/158, 295; 340/4.3, 4.42,
340/12.22, 12.23, 12.24, 12.29, 12.3, 13.2,
340/13.21, 13.24; 341/176; 345/169;
348/734; 455/352; 463/39; 700/17, 65,
700/83

See application file for complete search history.

(56) **References Cited**

U.S. PATENT DOCUMENTS

D254,849 S 4/1980 Matsuda
4,532,395 A 7/1985 Zukowski

(Continued)

FOREIGN PATENT DOCUMENTS

EM 000646047-0013 6/2006
ES D0503833-0003 9/2006

OTHER PUBLICATIONS

Design No. ESD0503833-0003, www.tmdn.org/tmdsview-web/welcome, © 2007-2012, 3 pages, application date Sep. 27, 2006; accessed Jul. 1, 2014.

(Continued)

Primary Examiner — Selina Sikder

(74) *Attorney, Agent, or Firm* — Condo Roccia Koptiw LLP

(57) **CLAIM**

The ornamental design for a load control device, as shown and described.

DESCRIPTION

This application is related to U.S. patent application Ser. No. 29/449,250, filed on Mar. 14, 2013 and entitled “Load Control Device,” U.S. patent application Ser. No. 29/449,232, filed on Mar. 14, 2013 and entitled “Load Control Device,” U.S. patent application Ser. No. 29/449,242, filed on Mar. 14, 2013 and entitled “Load Control Device,” U.S. patent application Ser. No. 29/449,257, filed on Mar. 14, 2013 and entitled “Load Control Device,” and U.S. patent application Ser. No. 29/449,263, filed on Mar. 14, 2013 and entitled “Load Control Device.”

FIG. 1 is a perspective view of a first embodiment of a load control device embodying our new design;

FIG. 2 is a front view of the load control device of FIG. 1;

FIG. 3 is a first side view of the load control device of FIG. 1;

FIG. 4 is a second side view of the load control device of FIG. 1;

FIG. 5 is a top view of the load control device of FIG. 1;

FIG. 6 is a bottom view of the load control device of FIG. 1;

FIG. 7 is a perspective view of a second embodiment of a load control device embodying our new design;

FIG. 8 is a front view of the load control device of FIG. 7;

FIG. 9 is a first side view of the load control device of FIG. 7;

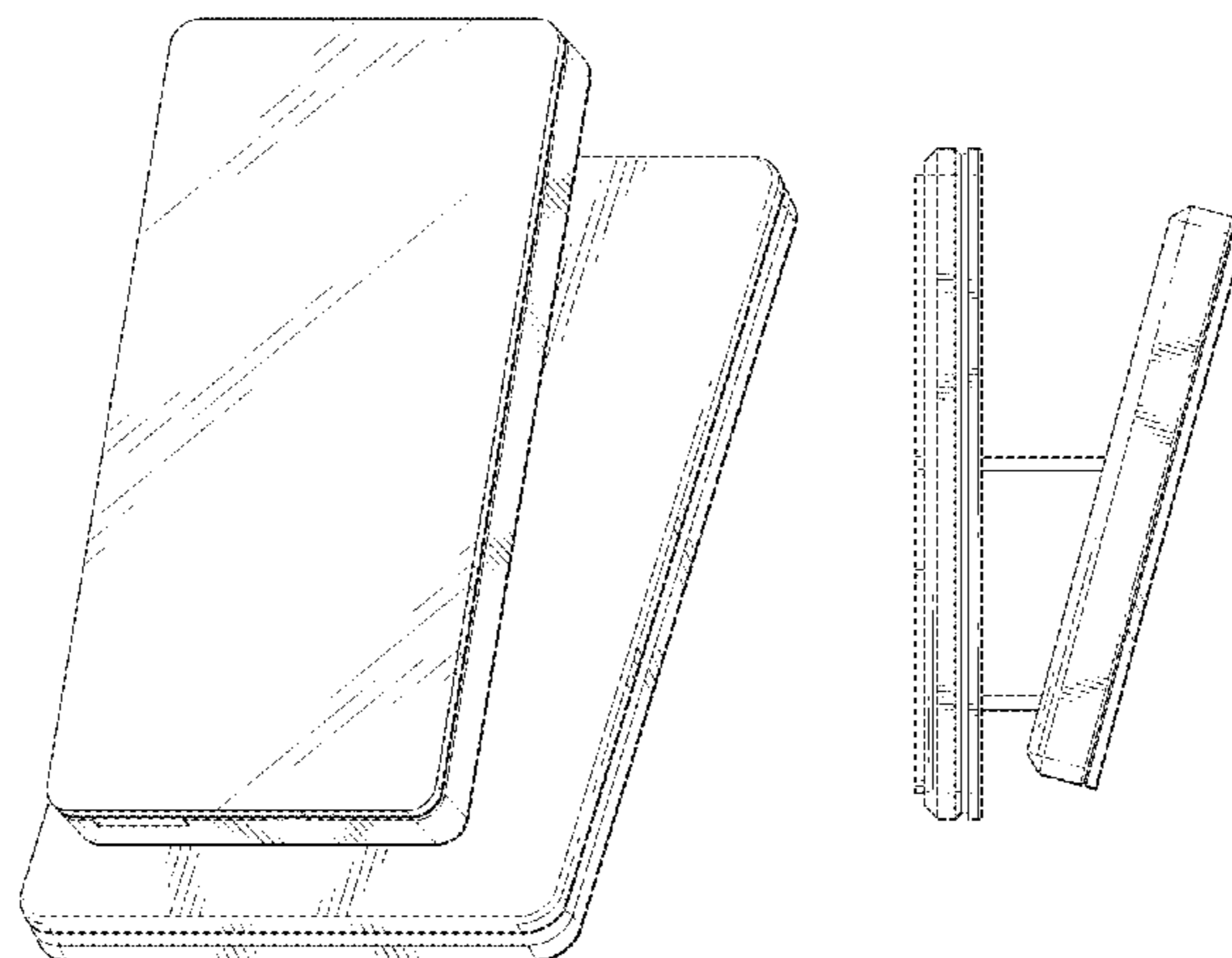
FIG. 10 is a second side view of the load control device of FIG. 7;

FIG. 11 a top view of the load control device of FIG. 7; and,

FIG. 12 is a bottom view of the load control device of FIG. 7.

The rear view forms no part of the claimed design. Additionally, the rear view forms no part of the claimed design.

1 Claim, 8 Drawing Sheets



(56)

References Cited

U.S. PATENT DOCUMENTS

4,783,581 A 11/1988 Flowers et al.
 4,803,380 A 2/1989 Jacoby et al.
 5,153,816 A 10/1992 Griffin
 5,196,782 A 3/1993 D'Aleo et al.
 D336,744 S 6/1993 Kahn et al.
 D337,569 S * 7/1993 Kando D14/341
 5,248,919 A 9/1993 Hanna et al.
 D353,798 S 12/1994 Bryde et al.
 5,621,283 A 4/1997 Watson et al.
 5,637,930 A 6/1997 Rowen et al.
 5,876,106 A 3/1999 Kordecki
 6,026,605 A 2/2000 Tippett
 6,120,262 A * 9/2000 McDonough et al. 417/424.1
 D439,220 S 3/2001 Mayo et al.
 6,380,696 B1 4/2002 Sembhi et al.
 D487,429 S 3/2004 Bennett et al.
 D496,003 S * 9/2004 Spira D13/168
 D496,335 S * 9/2004 Spira D13/168
 6,835,906 B2 12/2004 Okamoto et al.
 D504,889 S * 5/2005 Andre et al. D14/341
 6,963,040 B1 11/2005 Urman
 6,992,612 B2 1/2006 Pessina et al.
 D514,590 S * 2/2006 Naruki D14/203.3
 D516,040 S 2/2006 Moye
 D527,711 S 9/2006 Spira et al.
 D529,448 S * 10/2006 de Melo et al. D13/168
 7,142,932 B2 11/2006 Spira et al.
 D537,046 S 2/2007 Blair et al.
 D543,951 S 6/2007 Blair et al.
 D557,259 S * 12/2007 Hirsch D14/217
 D557,666 S * 12/2007 Schroter D13/168
 D558,757 S * 1/2008 Andre et al. D14/341
 D567,768 S * 4/2008 Lee et al. D13/168
 7,365,282 B2 4/2008 Altonen et al.
 D583,337 S 12/2008 Ni
 D592,607 S 5/2009 Felegy, Jr. et al.
 7,579,717 B2 8/2009 Blair et al.
 D602,446 S 10/2009 Felegy, Jr. et al.
 D606,030 S 12/2009 Felegy, Jr. et al.
 D614,146 S 4/2010 Felegy, Jr. et al.

D619,106 S 7/2010 Felegy, Jr. et al.
 D619,544 S 7/2010 Petrillo et al.
 D619,972 S 7/2010 Felegy, Jr. et al.
 D624,880 S 10/2010 Felegy, Jr. et al.
 D626,092 S 10/2010 Clymer et al.
 D627,308 S 11/2010 Snyder et al.
 D627,309 S 11/2010 Snyder et al.
 D627,343 S * 11/2010 Andre et al. D14/341
 D631,854 S * 2/2011 Blair et al. D13/168
 D633,874 S 3/2011 Feldstein et al.
 D636,347 S 4/2011 Felegy, Jr. et al.
 D638,375 S 5/2011 Clymer et al.
 D638,835 S * 5/2011 Akana et al. D14/341
 D640,209 S 6/2011 Felegy, Jr. et al.
 D640,219 S * 6/2011 Sutherland et al. D14/138 G
 D640,641 S 6/2011 Felegy, Jr. et al.
 D645,001 S 9/2011 Margolin et al.
 D646,232 S 10/2011 Felegy, Jr. et al.
 D647,882 S * 11/2011 Kim et al. D14/218
 D649,123 S 11/2011 Jacoby et al.
 D655,254 S * 3/2012 Jacoby et al. D13/168
 D660,809 S * 5/2012 Kern Koskela et al. D13/168
 8,237,601 B2 * 8/2012 Dunbar et al. 341/176
 D666,978 S 9/2012 Felegy, Jr. et al.
 D669,038 S 10/2012 Felegy, Jr. et al.
 8,330,639 B2 * 12/2012 Wong et al. 341/176
 D673,510 S 1/2013 Felegy, Jr. et al.
 D688,214 S * 8/2013 Ducret et al. D13/168
 8,525,372 B2 9/2013 Huang
 D694,716 S 12/2013 Felegy et al.
 2005/0072661 A1 4/2005 Katagiri
 2006/0281501 A1 * 12/2006 Zuo et al. 455/575.1
 2007/0096903 A1 5/2007 Hibshman et al.
 2011/0279300 A1 * 11/2011 Mosebrook 341/176
 2012/0013450 A1 * 1/2012 Lee et al. 340/12.54

OTHER PUBLICATIONS

Design No. EM000646047-0013, www.tmdn.org/tmdsview-web/welcome, © 2007-2012, 6 pages, application date Dec. 7, 2006; accessed Jul. 1, 2014.

* cited by examiner

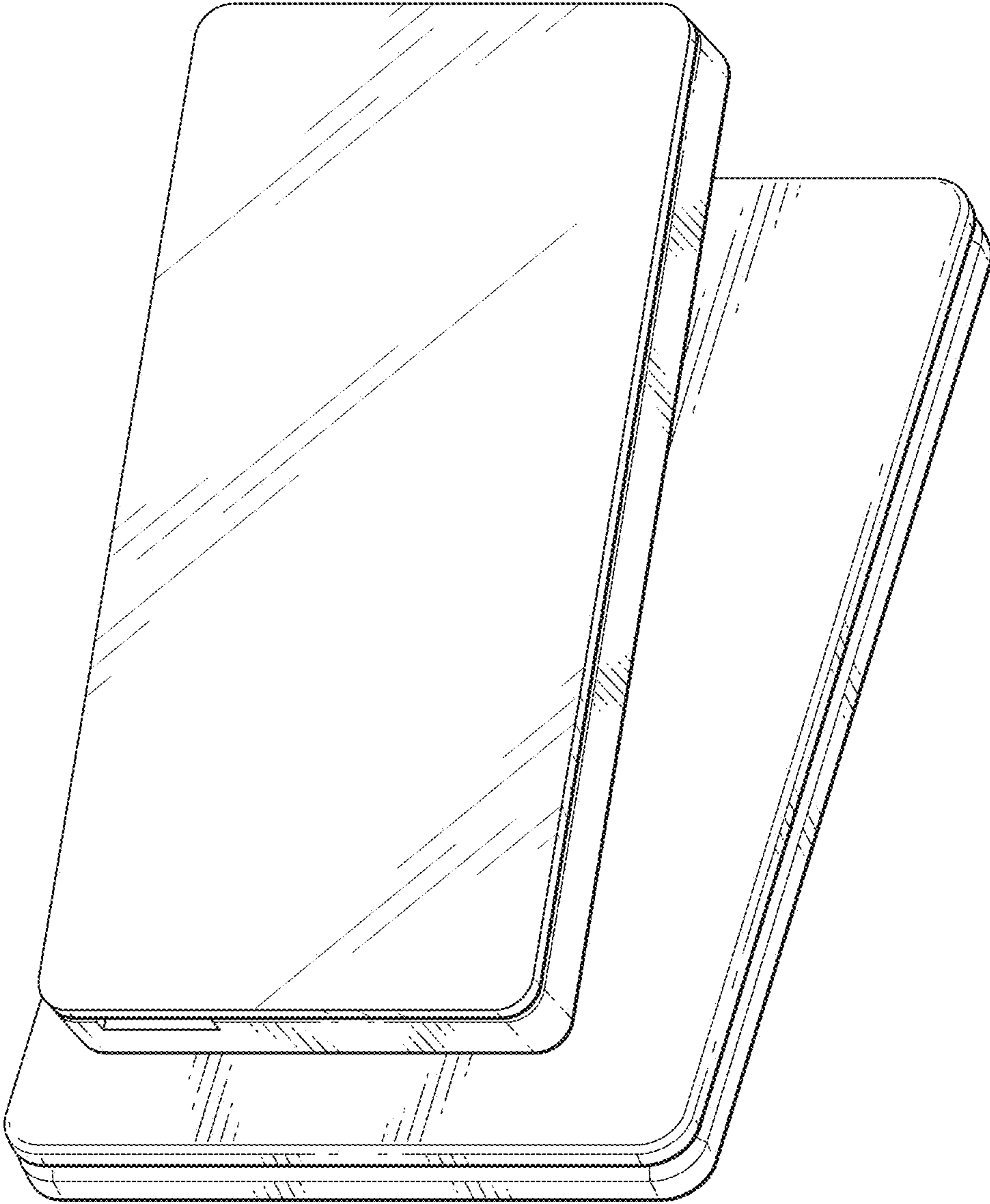


FIG. 1

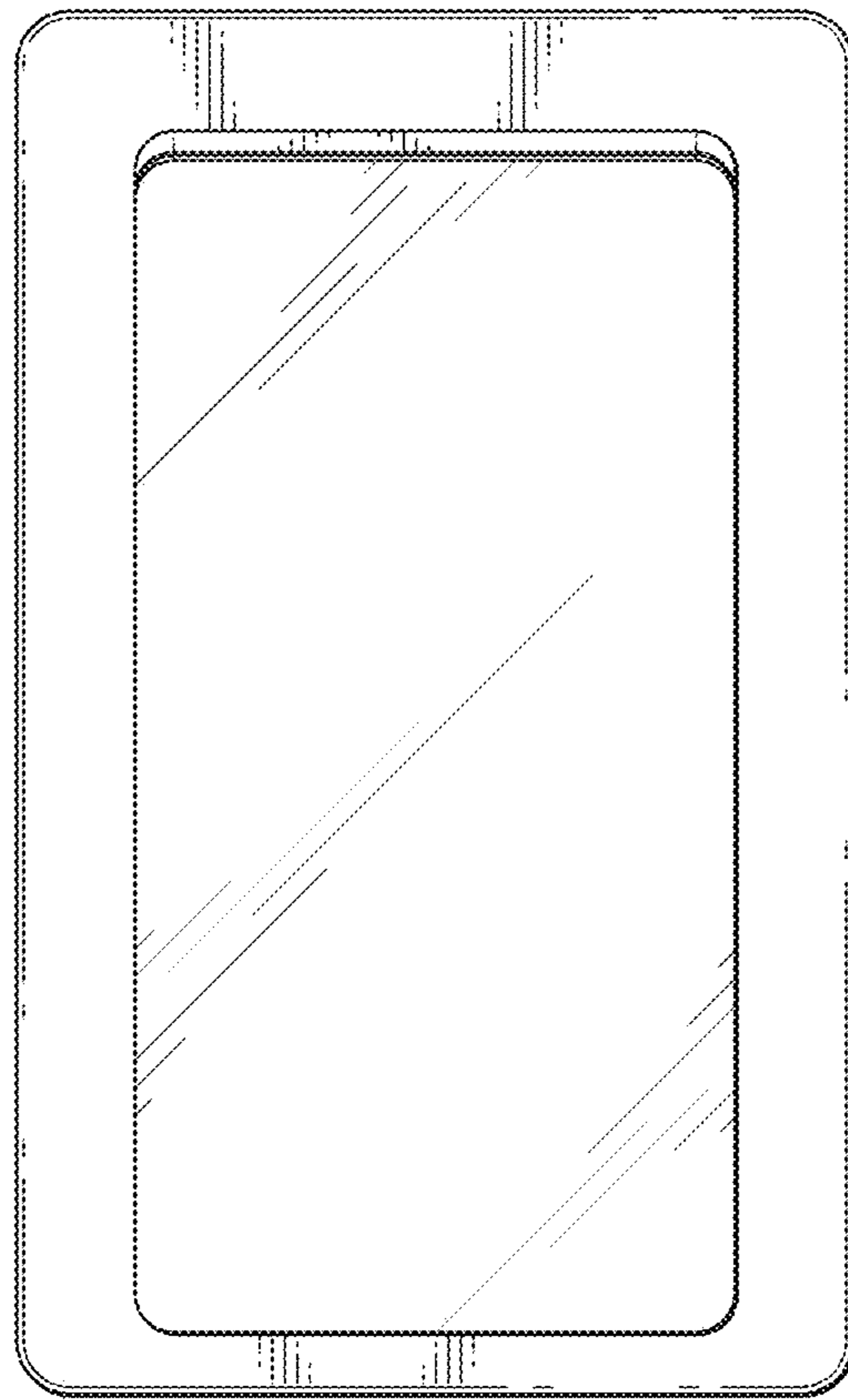


FIG. 2

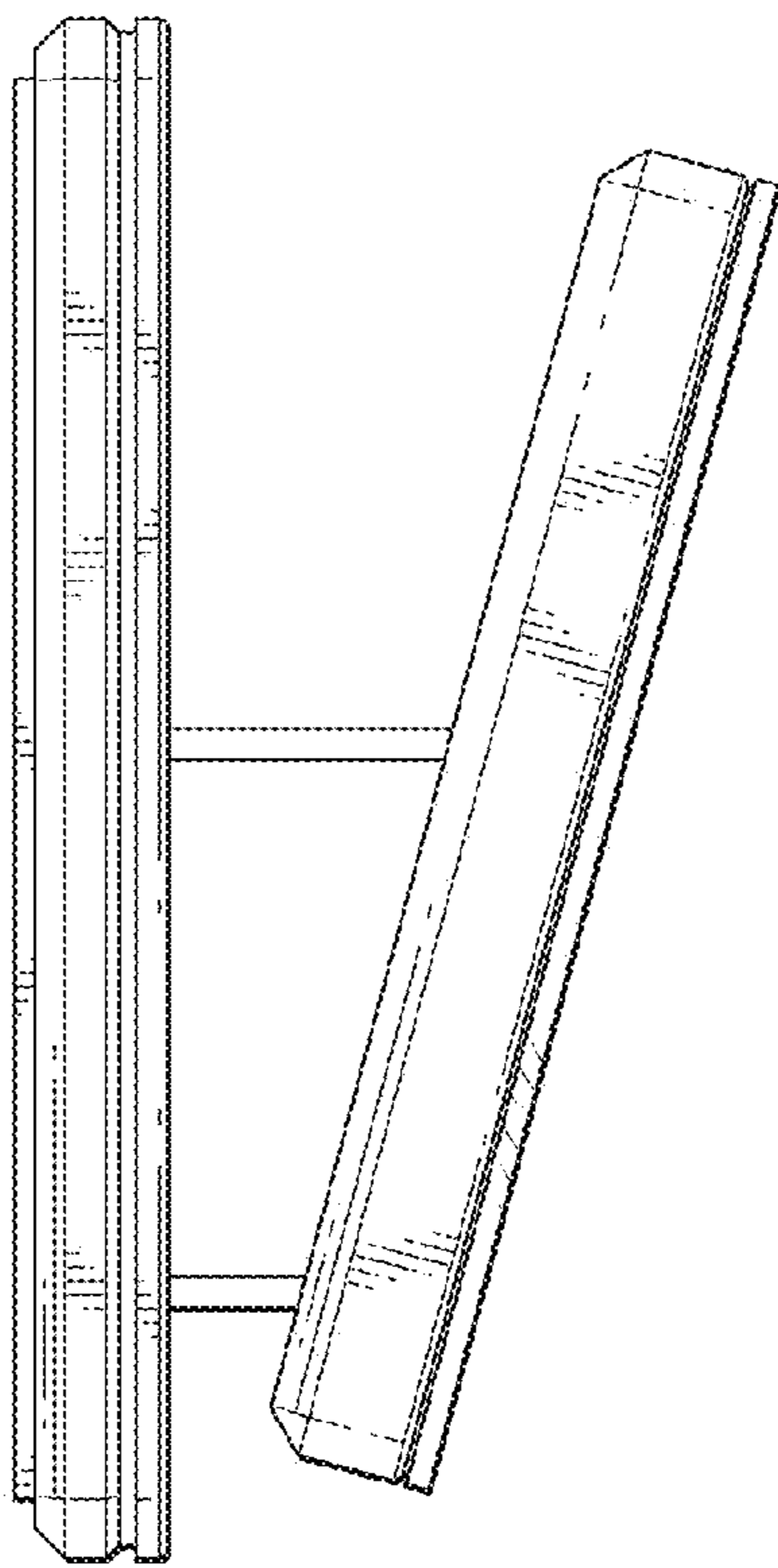


FIG. 3

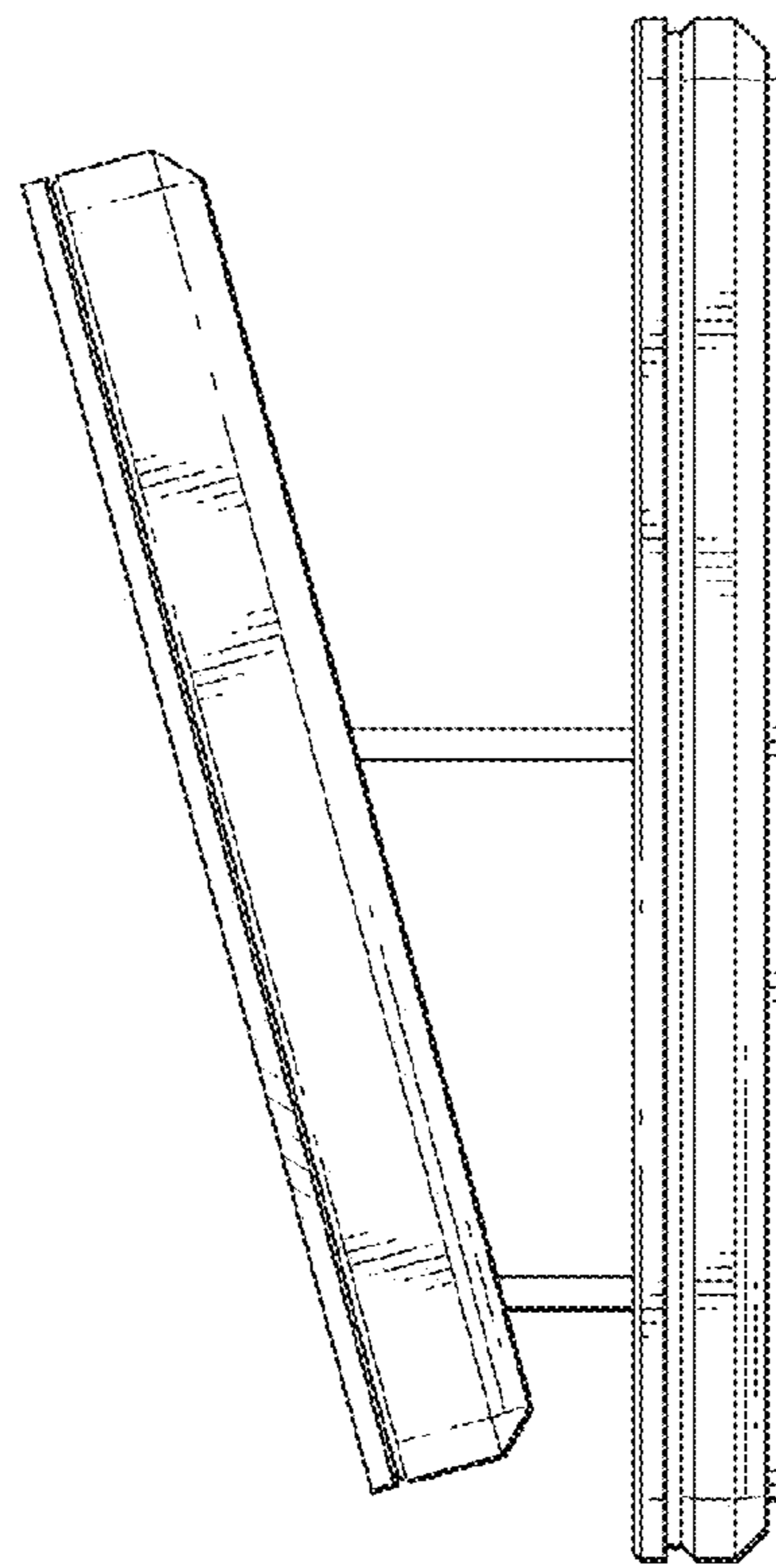


FIG. 4

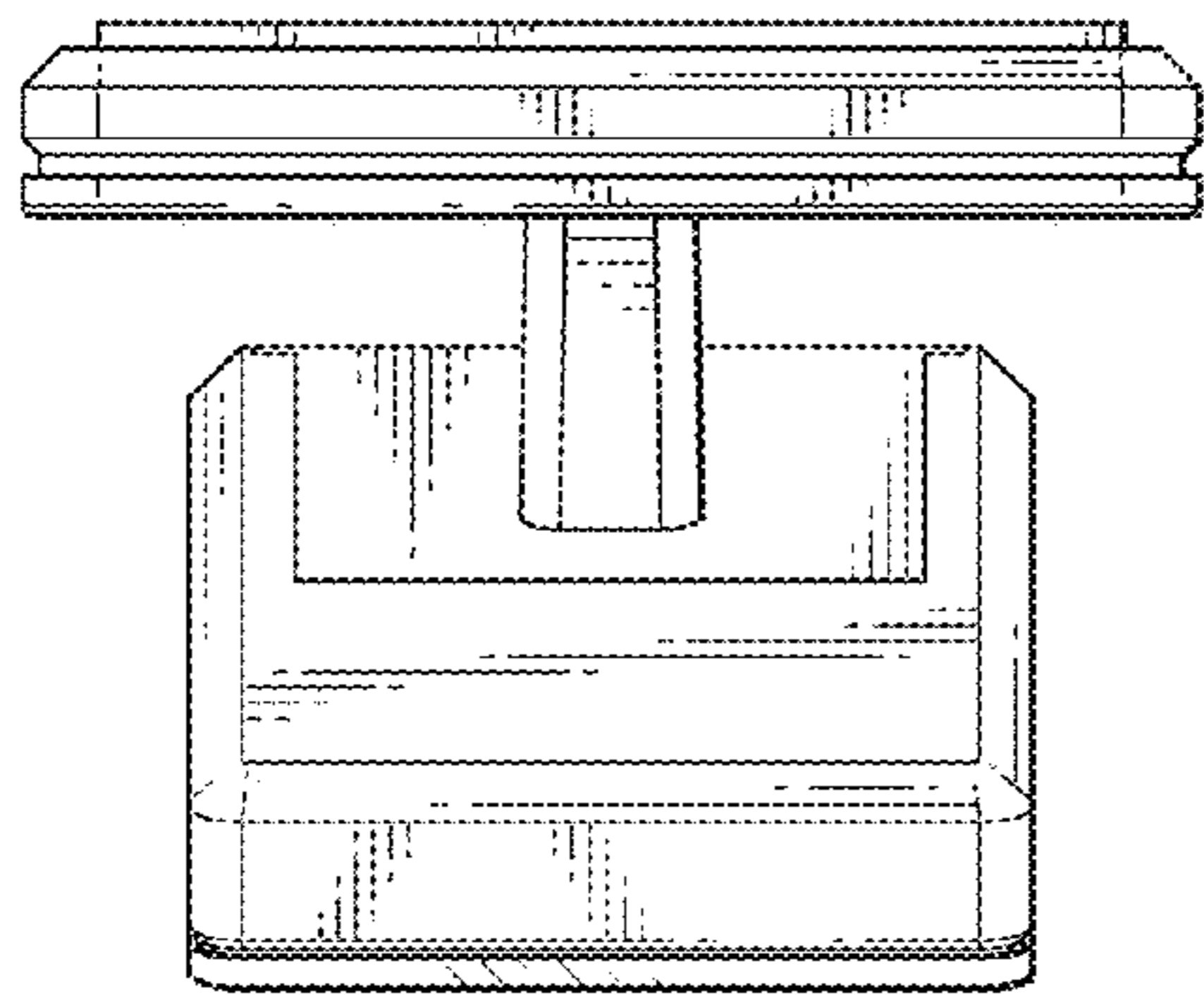


FIG. 5

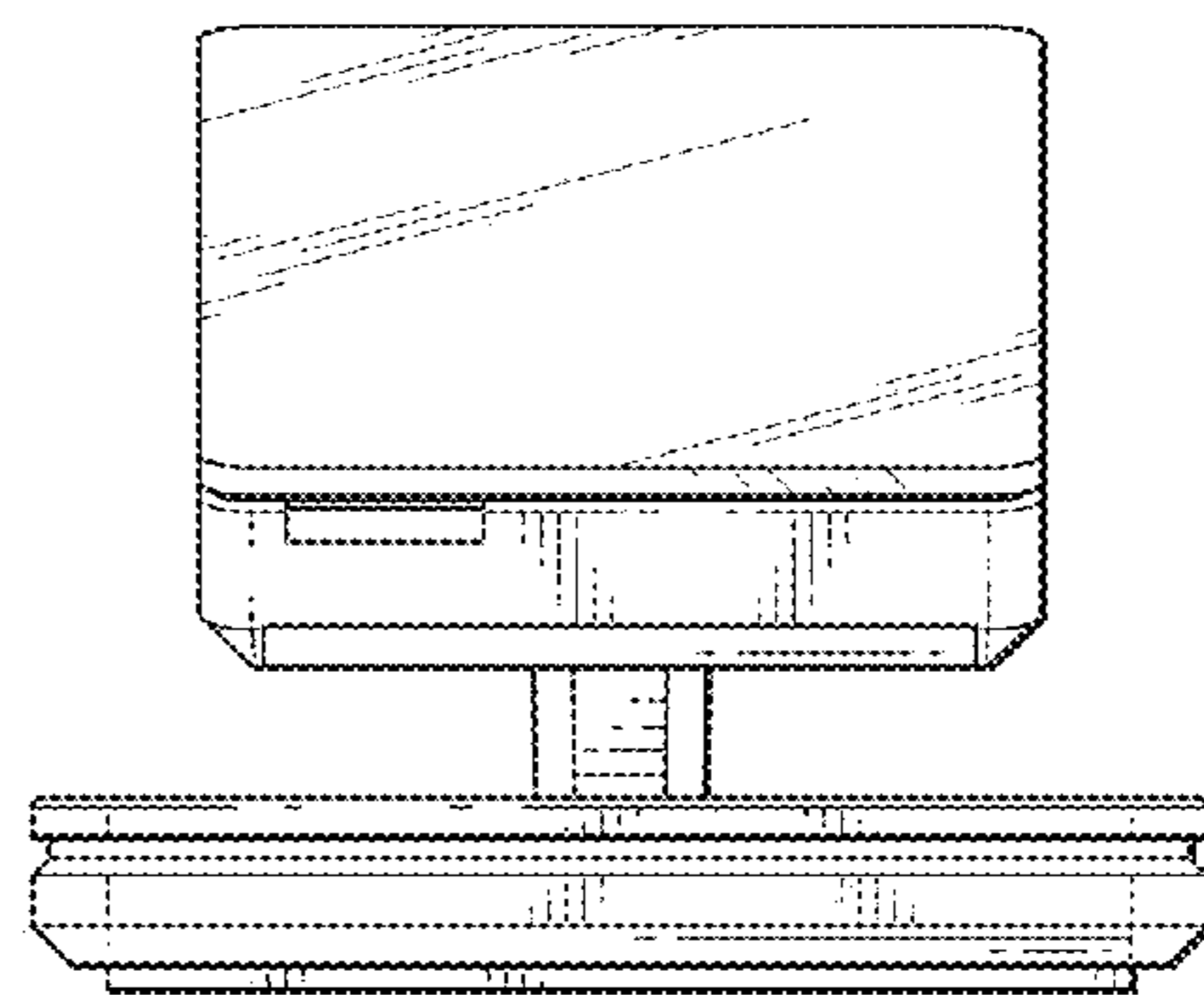


FIG. 6

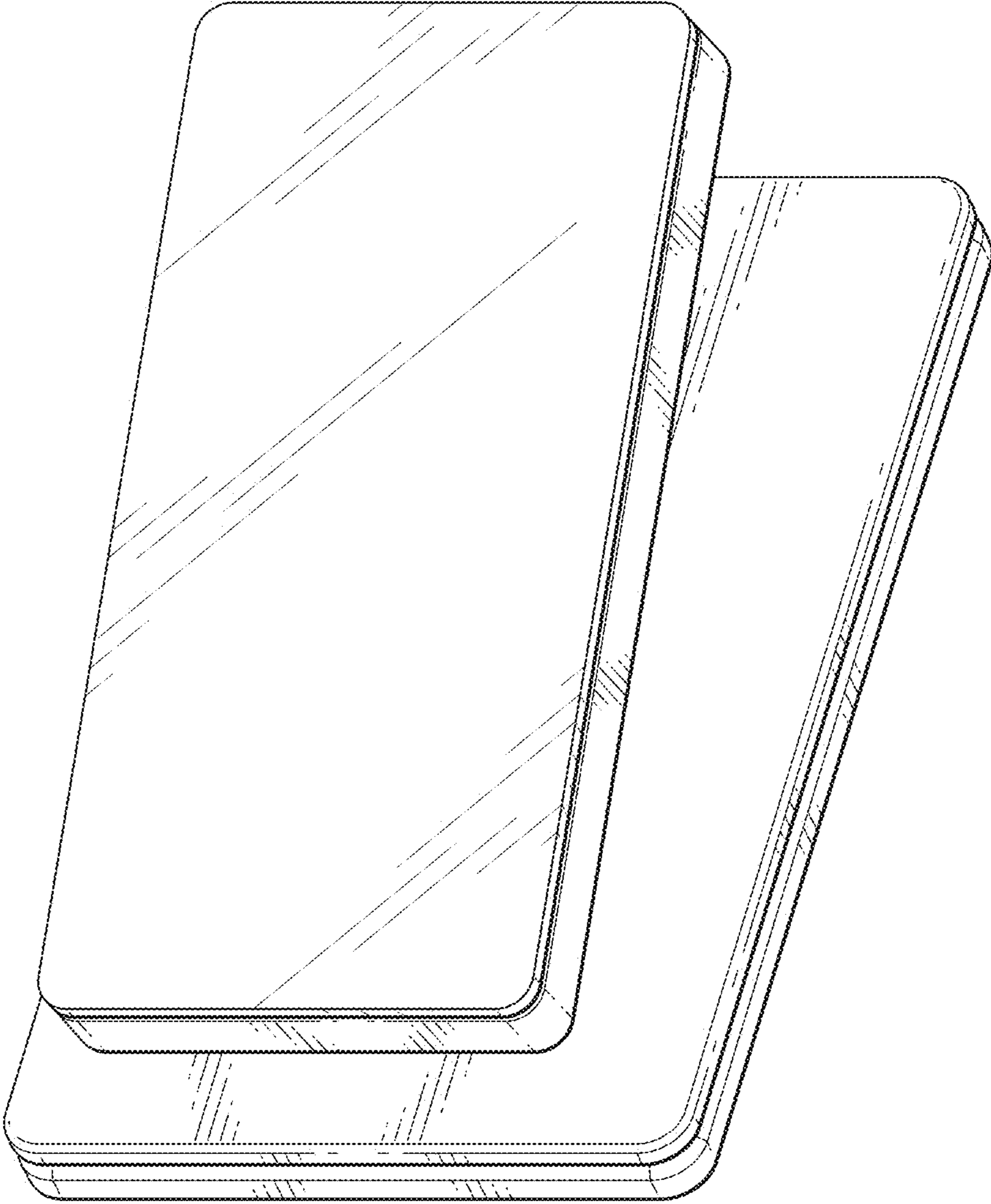


FIG. 7

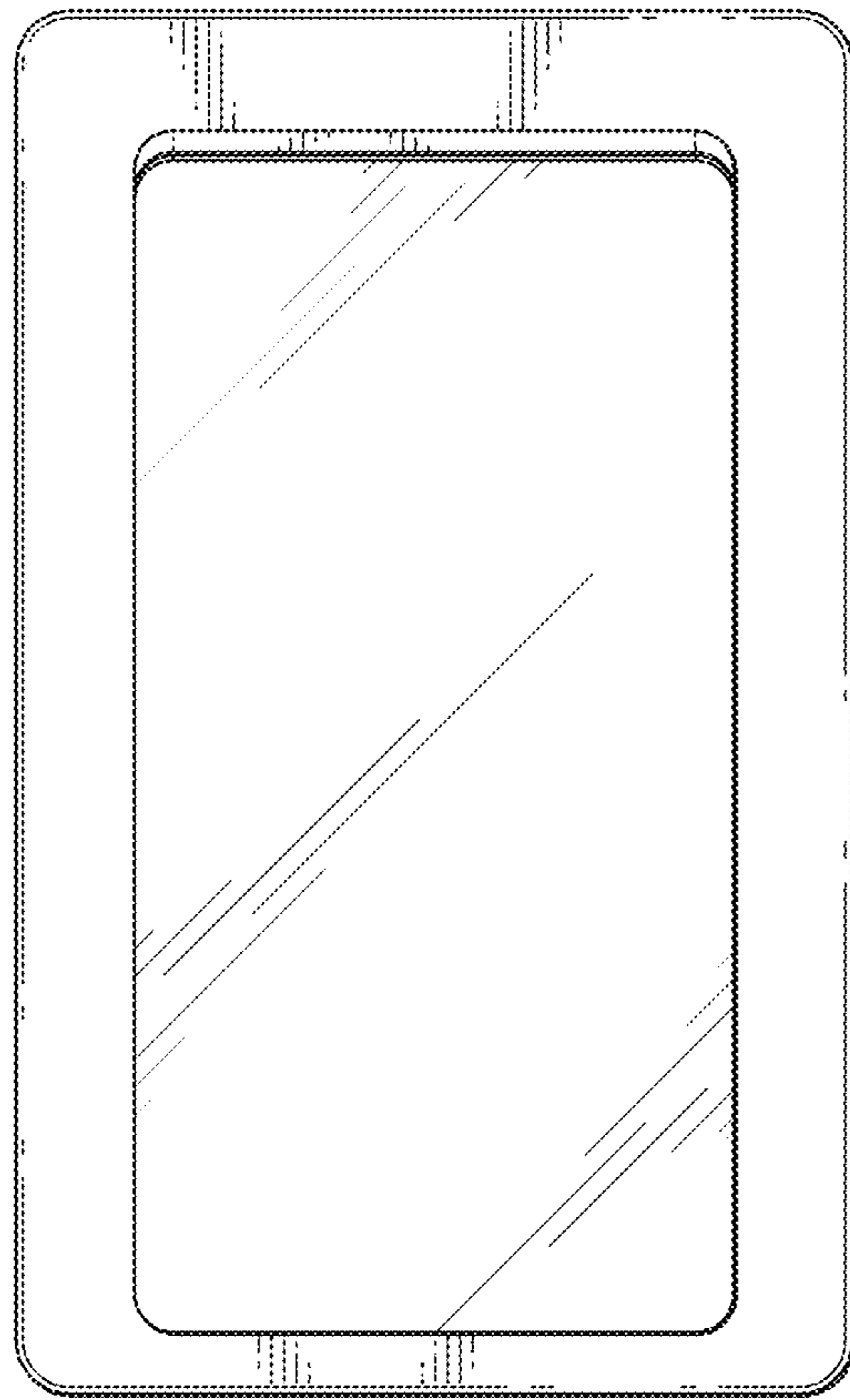


FIG. 8

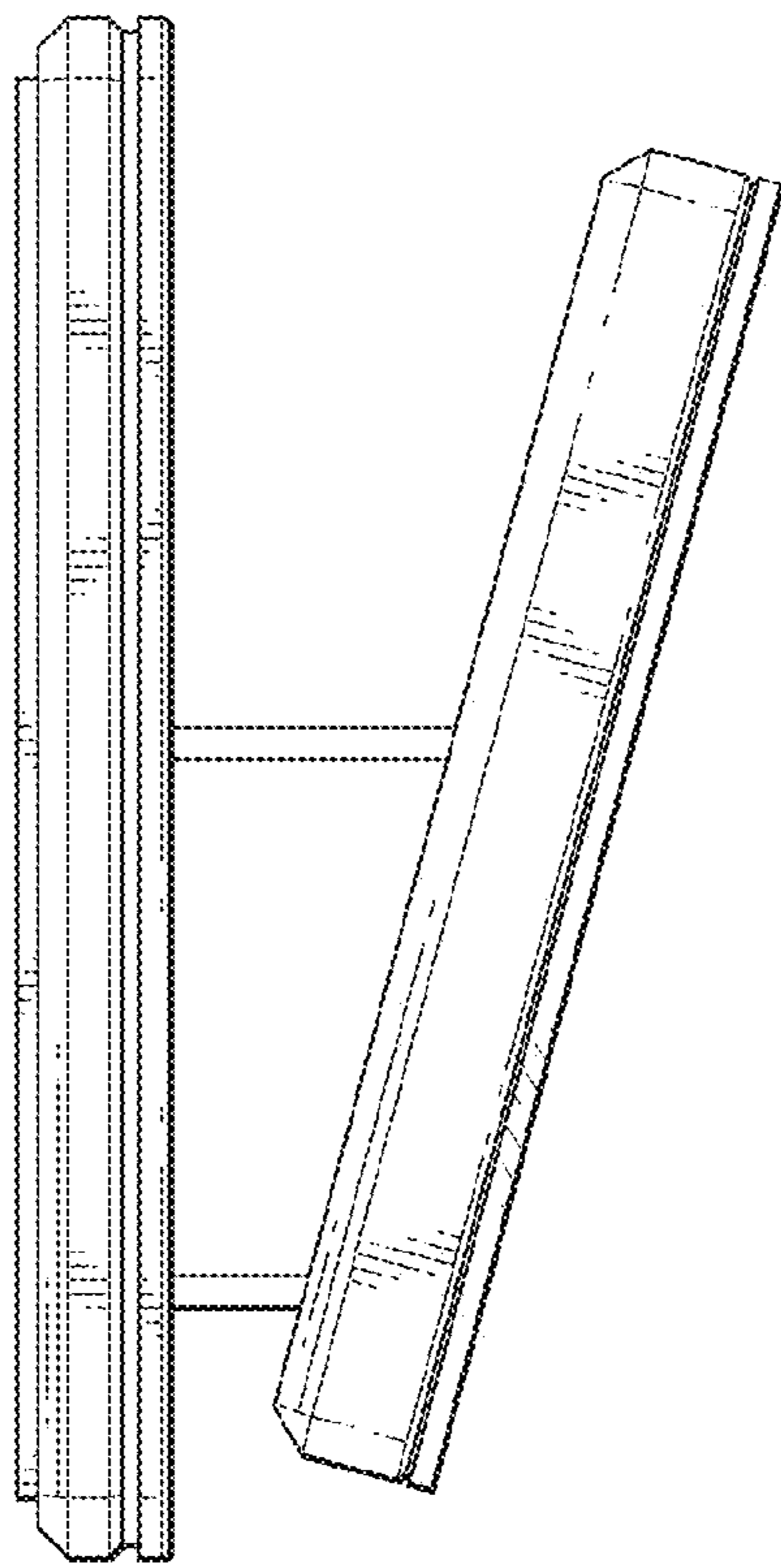


FIG. 9

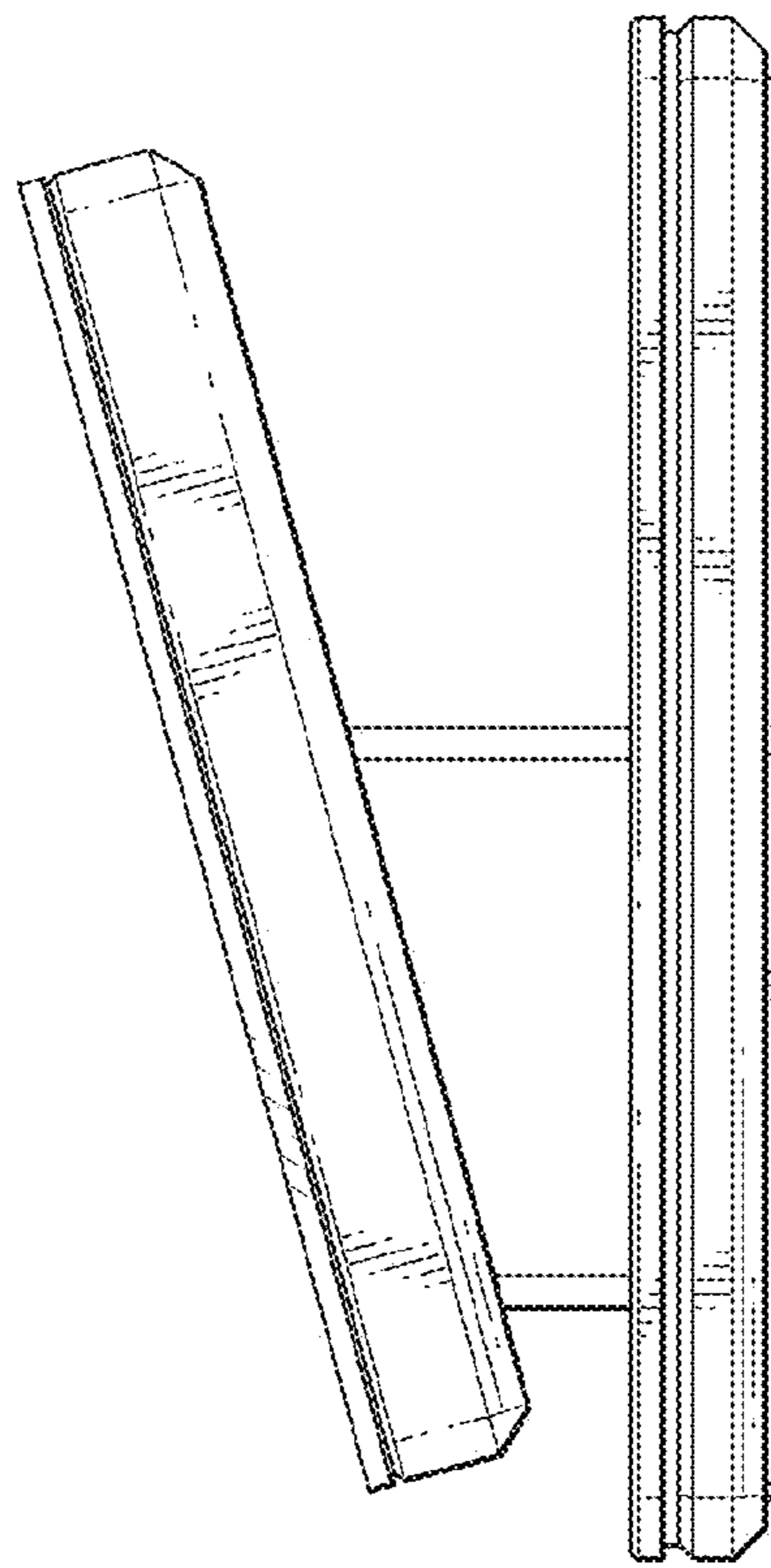


FIG. 10

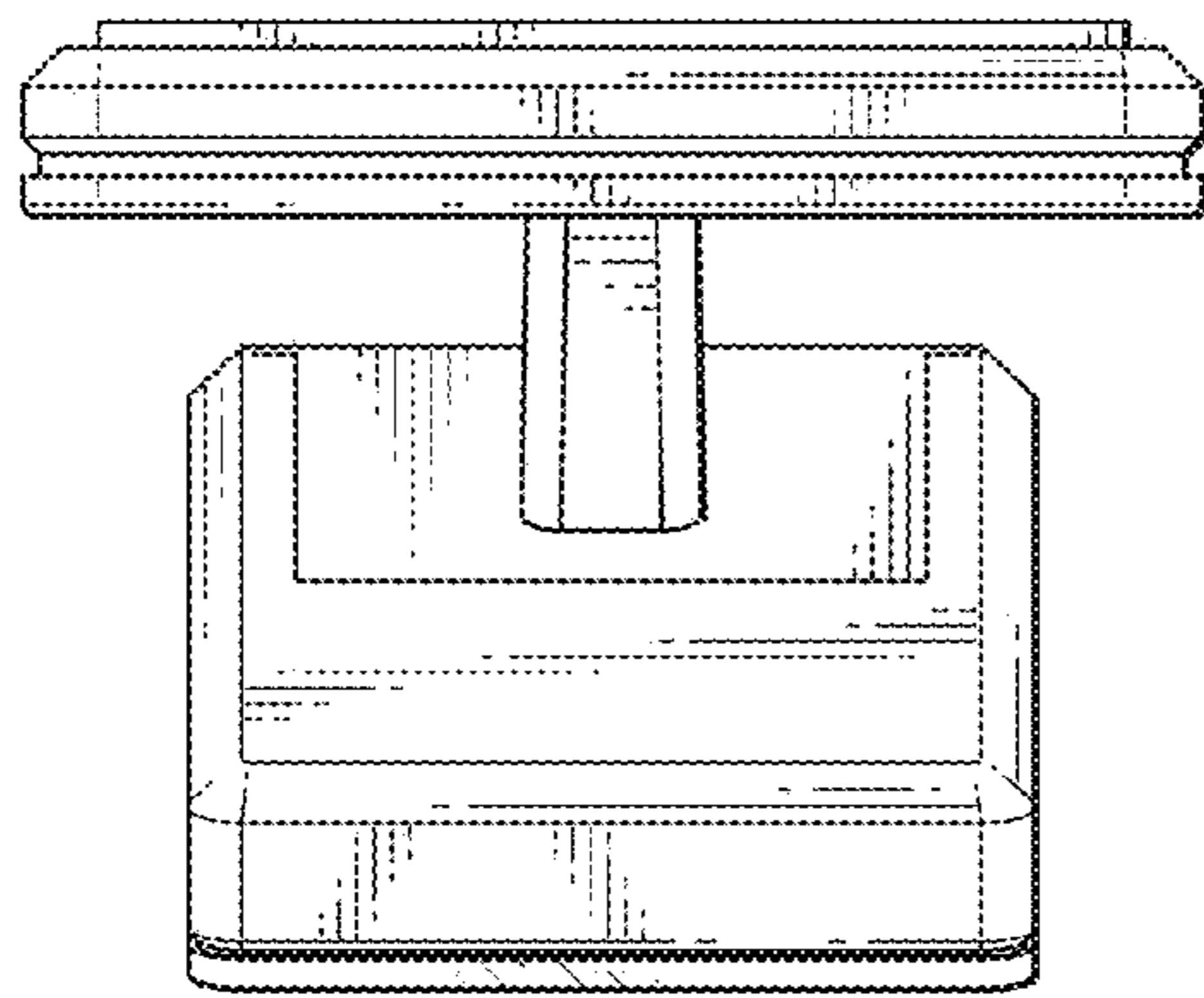


FIG. 11

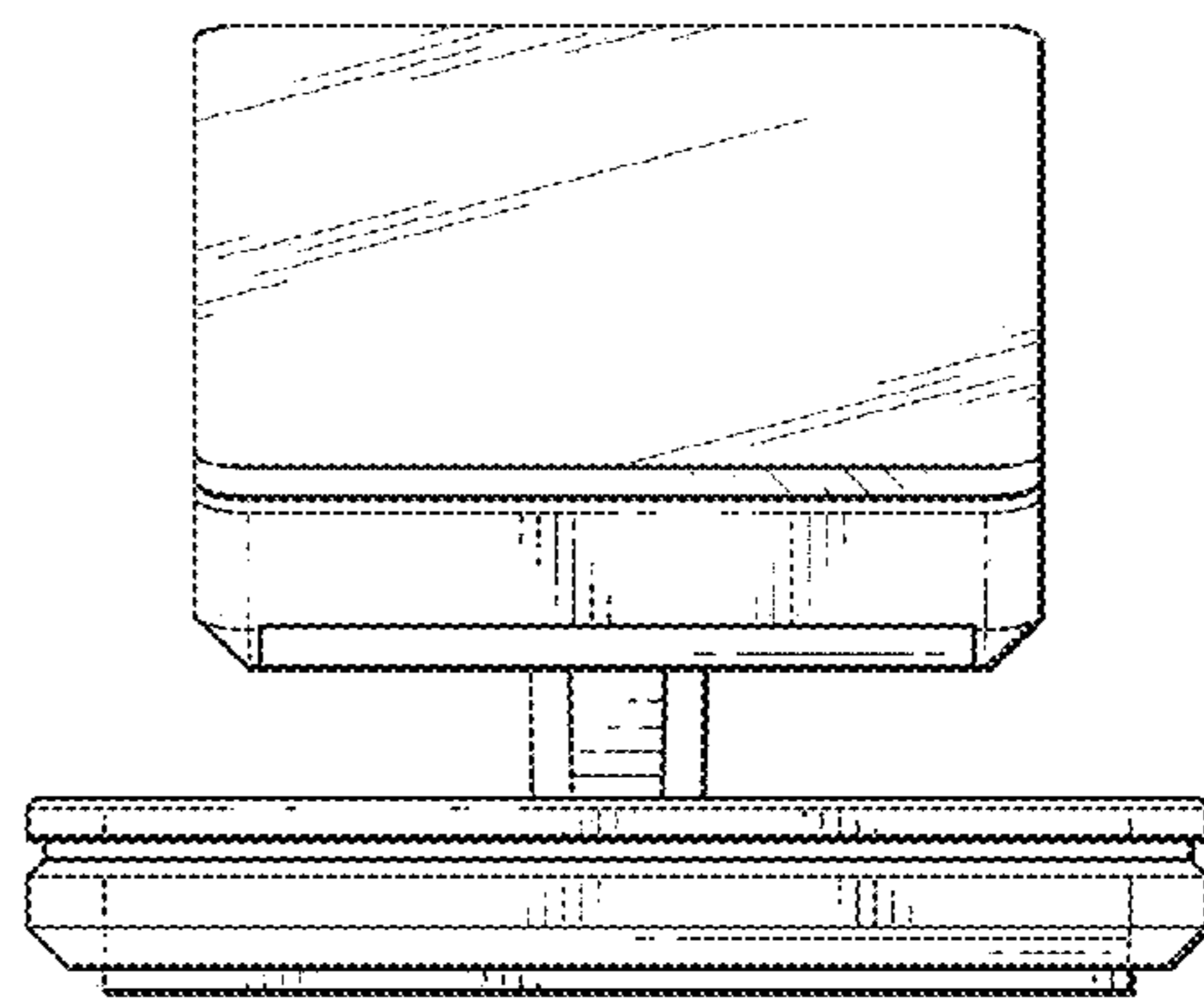


FIG. 12