



US00D712362S

(12) **United States Design Patent**  
**Rodriguez et al.**

(10) **Patent No.:** **US D712,362 S**

(45) **Date of Patent:** **\*\* Sep. 2, 2014**

(54) **CONTROL PANEL**

(71) Applicant: **RGB Systems, Inc.**, Anaheim, CA (US)

(72) Inventors: **Osbaldo Rodriguez**, Huntington Beach, CA (US); **Matthew Soper**, Clayton, NC (US); **Robert M Chaloupecky**, Apex, NC (US); **Jaysun Stockdell-Giesler**, Cary, NC (US); **Oganes Aleksanyan**, Toluca, CA (US)

(73) Assignee: **RGB Systems, Inc.**, Anaheim, CA (US)

(\*\*) Term: **14 Years**

(21) Appl. No.: **29/464,469**

(22) Filed: **Aug. 16, 2013**

(51) **LOC (10) Cl.** ..... **13-03**

(52) **U.S. Cl.**  
USPC ..... **D13/164**

(58) **Field of Classification Search**  
USPC ..... D13/162, 164, 171, 174; D14/388;  
D10/49; 174/66; 200/5 R, 5 A, 302.2,  
200/520, 530, 293, 296, 308, 310, 314, 329,  
200/341; 220/241; 307/139, 157;  
315/209 R, 224, 246, 291, 294, 295  
See application file for complete search history.

(56) **References Cited**

**U.S. PATENT DOCUMENTS**

D300,316	S	*	3/1989	Ortega	.....	D13/169
D313,738	S	*	1/1991	Mayo et al.	.....	D8/353
5,030,893	A	*	7/1991	Spira et al.	.....	315/294
5,073,681	A	*	12/1991	Hubben et al.	.....	174/66
D327,212	S	*	6/1992	Hubben et al.	.....	D8/353
5,191,265	A	*	3/1993	D'Aleo et al.	.....	315/295
D352,025	S	*	11/1994	Dellavecchia et al.	.....	D13/164
D394,042	S	*	5/1998	Hwang	.....	D13/171
5,848,054	A	*	12/1998	Mosebrook et al.	.....	370/226
5,895,888	A	*	4/1999	Arenas et al.	.....	174/66
D412,492	S	*	8/1999	Gatchell et al.	.....	D13/164

5,949,200	A	*	9/1999	Ference et al.	.....	315/318
6,765,149	B1	*	7/2004	Ku	.....	174/66
6,849,968	B2	*	2/2005	Park	.....	307/112
D516,042	S	*	2/2006	Butler et al.	.....	D13/164
7,067,754	B2	*	6/2006	Weston et al.	.....	200/314
D529,871	S	*	10/2006	Butler et al.	.....	D13/164
D550,163	S	*	9/2007	Mayo et al.	.....	D13/164
D552,042	S	*	10/2007	Mayo et al.	.....	D13/164
D598,868	S	*	8/2009	Nishiyama et al.	.....	D13/164
D598,869	S	*	8/2009	Nishiyama et al.	.....	D13/164
7,796,057	B2	*	9/2010	Swatsky et al.	.....	341/23
D636,350	S	*	4/2011	Rodriguez et al.	.....	D13/164
D636,351	S	*	4/2011	Rodriguez et al.	.....	D13/164
D639,681	S	*	6/2011	Rodriguez et al.	.....	D10/49
2013/0148323	A1	*	6/2013	Yang	.....	361/807

\* cited by examiner

*Primary Examiner* — Selina Sikder

(74) *Attorney, Agent, or Firm* — The Hecker Law Group, PLC

(57) **CLAIM**

The ornamental design for a control panel, as shown and described.

**DESCRIPTION**

FIG. 1 is a front perspective view of an embodiment of the control panel of the present invention.

FIG. 2 is a front view of an embodiment of the control panel of the present invention.

FIG. 3 is a rear view of an embodiment of the control panel of the present invention.

FIG. 4 is a top view of an embodiment of the control panel of the present invention.

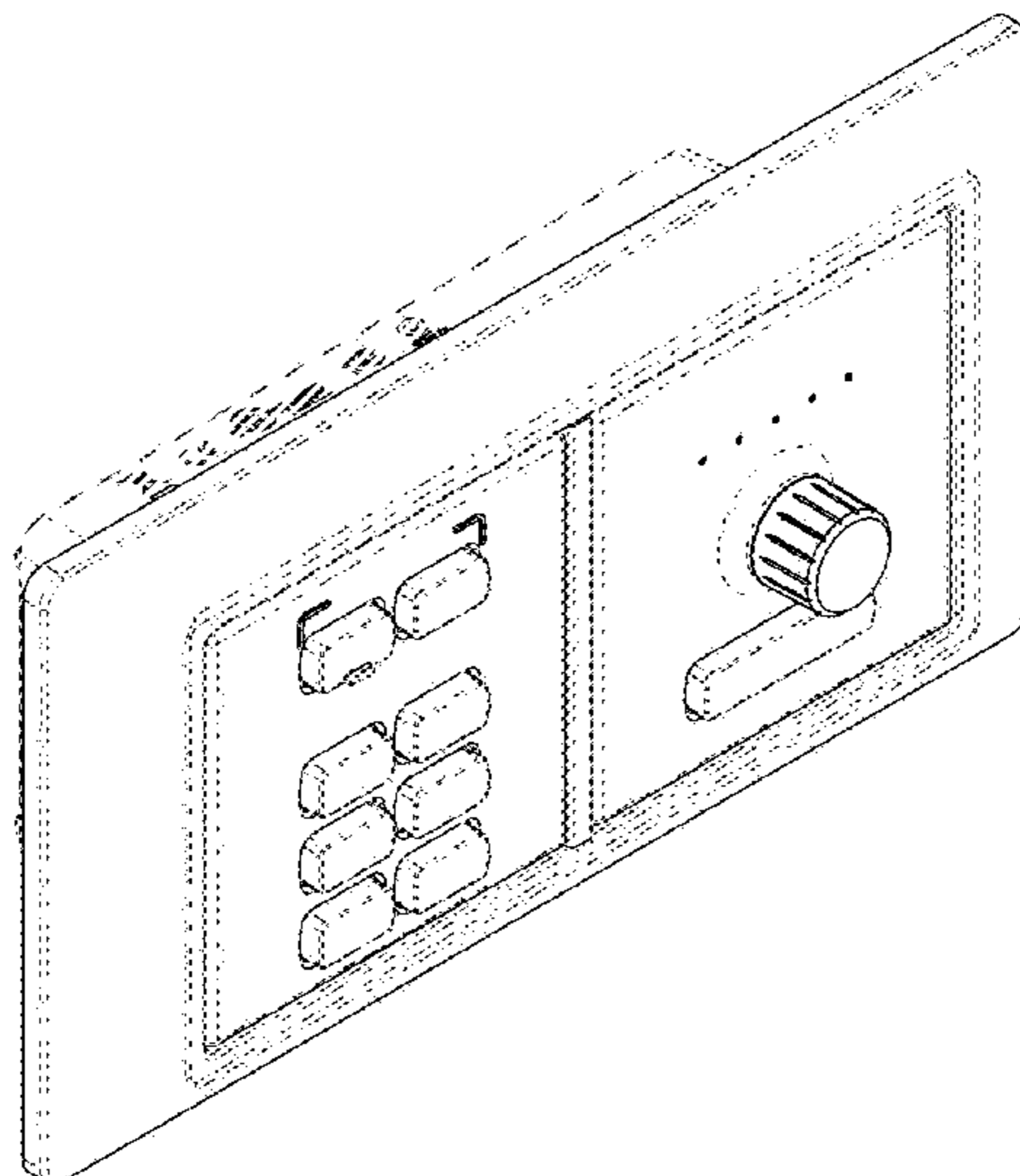
FIG. 5 is a bottom view of an embodiment of the control panel of the present invention.

FIG. 6 is a right side view of an embodiment of the control panel of the present invention; and,

FIG. 7 is a left side view of an embodiment of the control panel of the present invention.

The broken lines showing of the rear portion of the faceplate, the fasteners and junction box is for the purpose of illustrating environmental structure and forms no part of the claimed design.

**1 Claim, 7 Drawing Sheets**



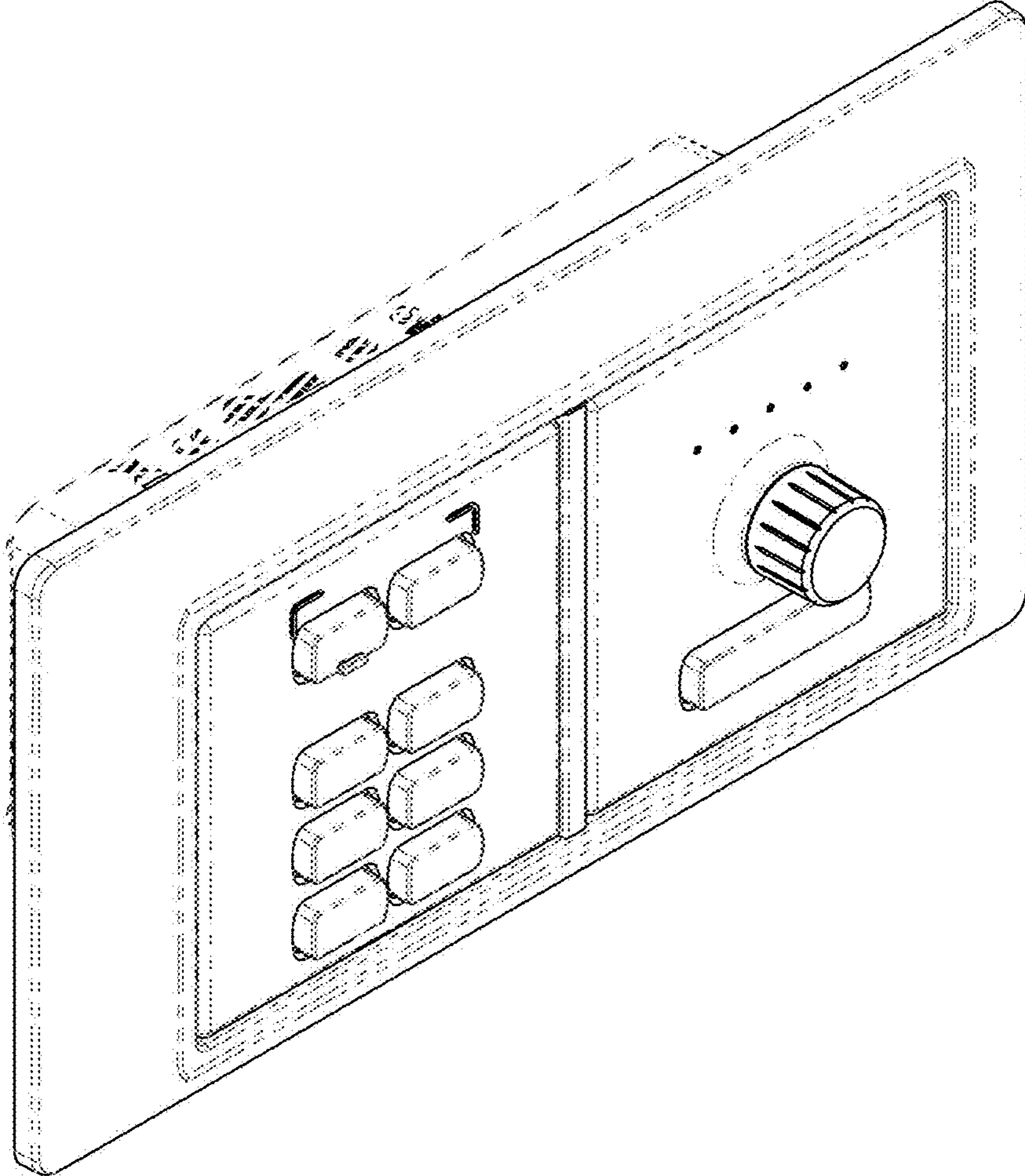


Figure 1

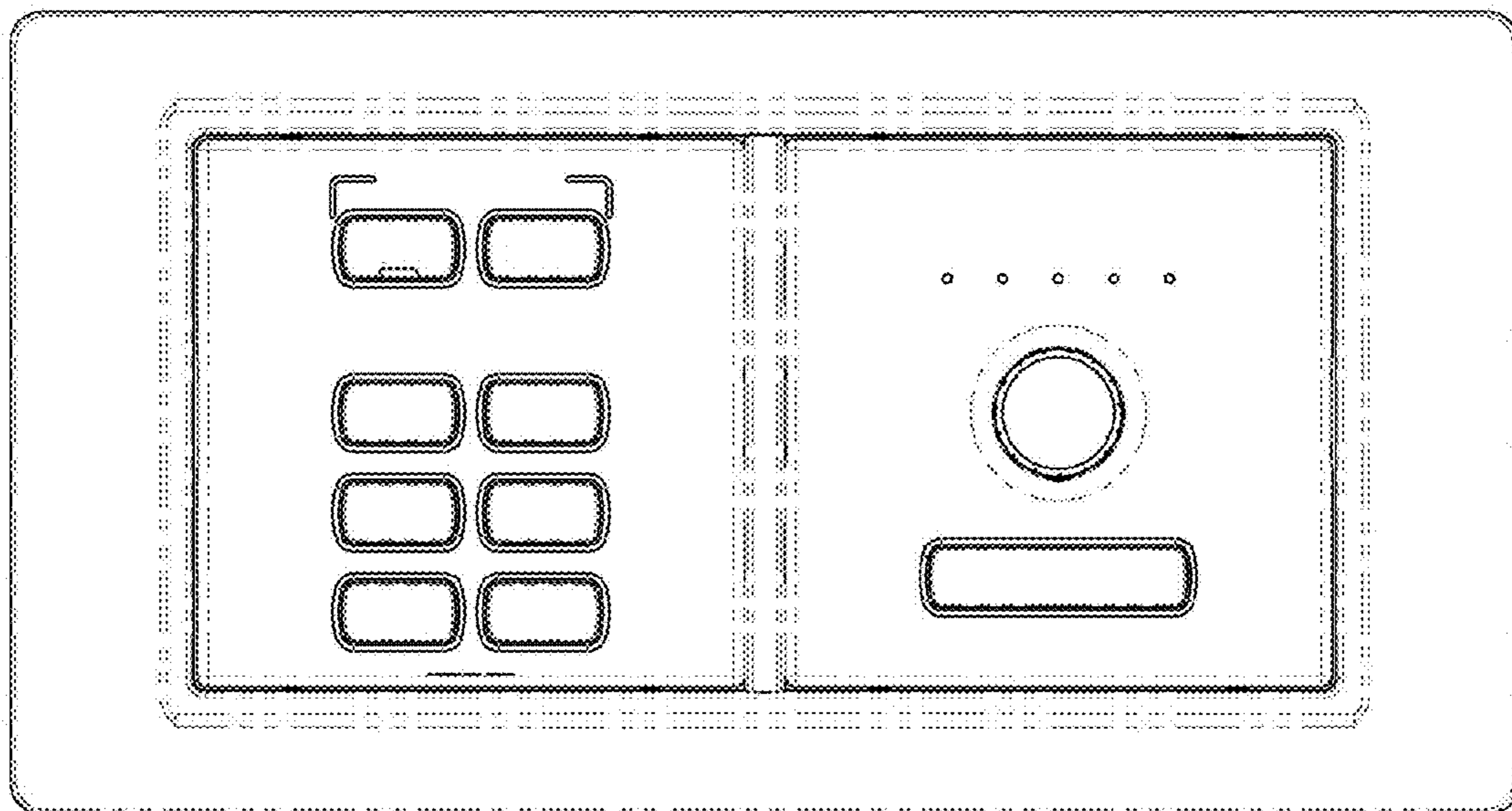


Figure 2



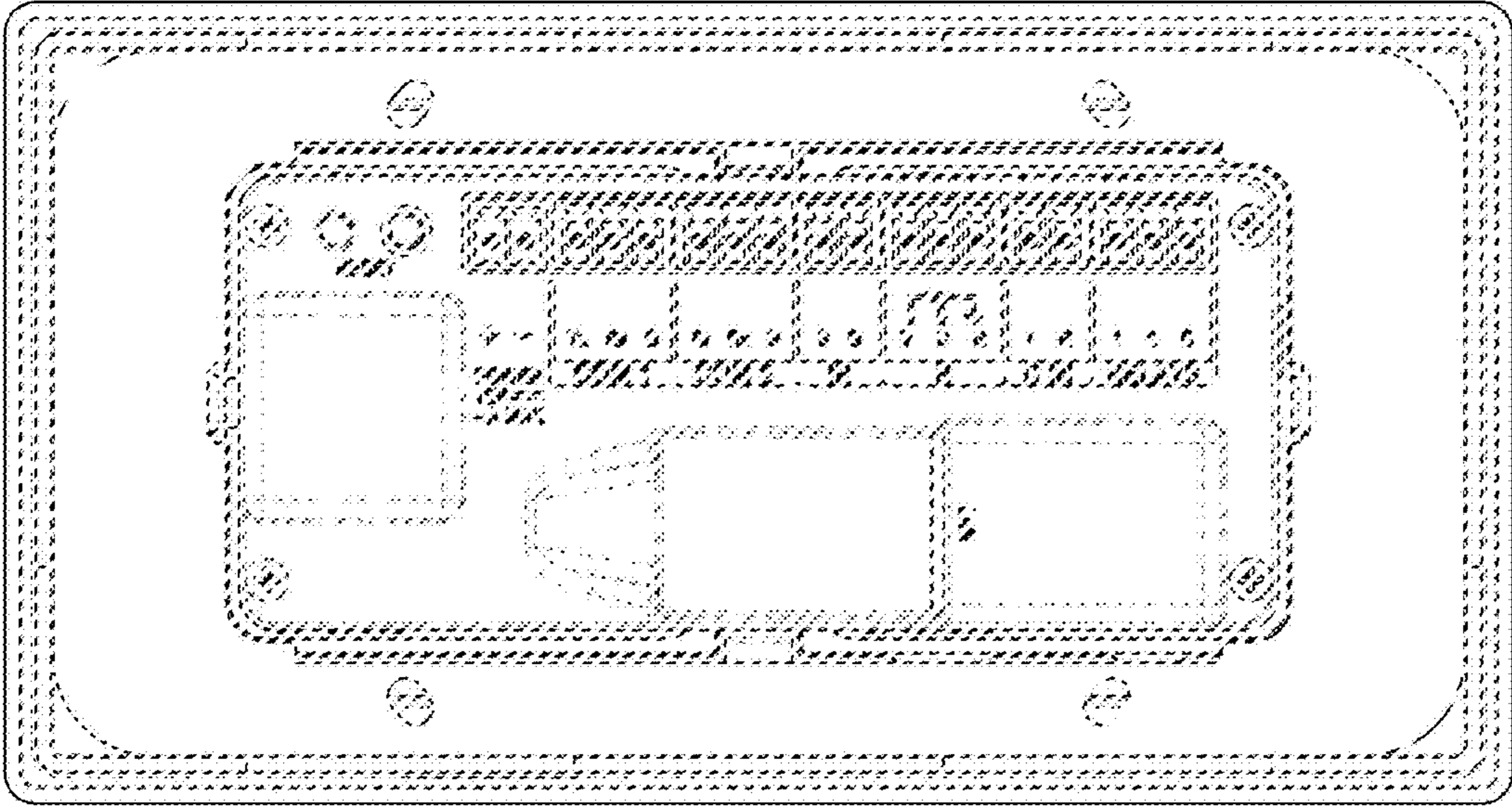


Figure 3

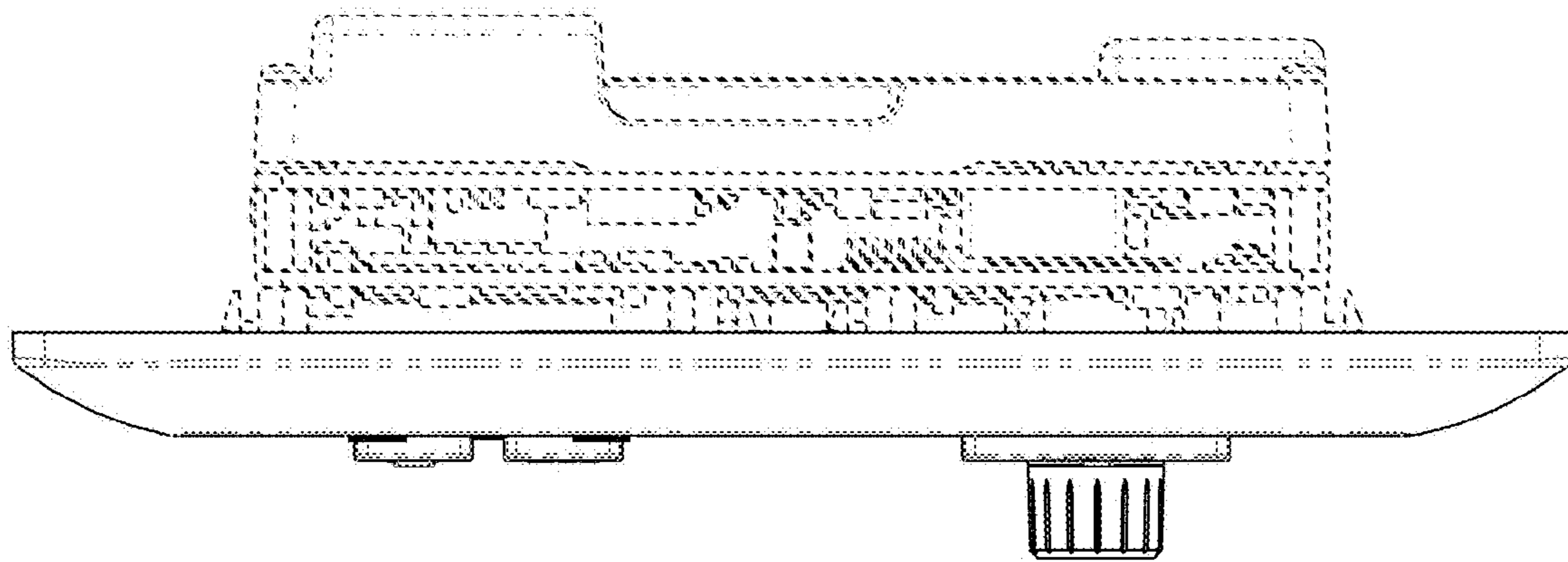


Figure 4

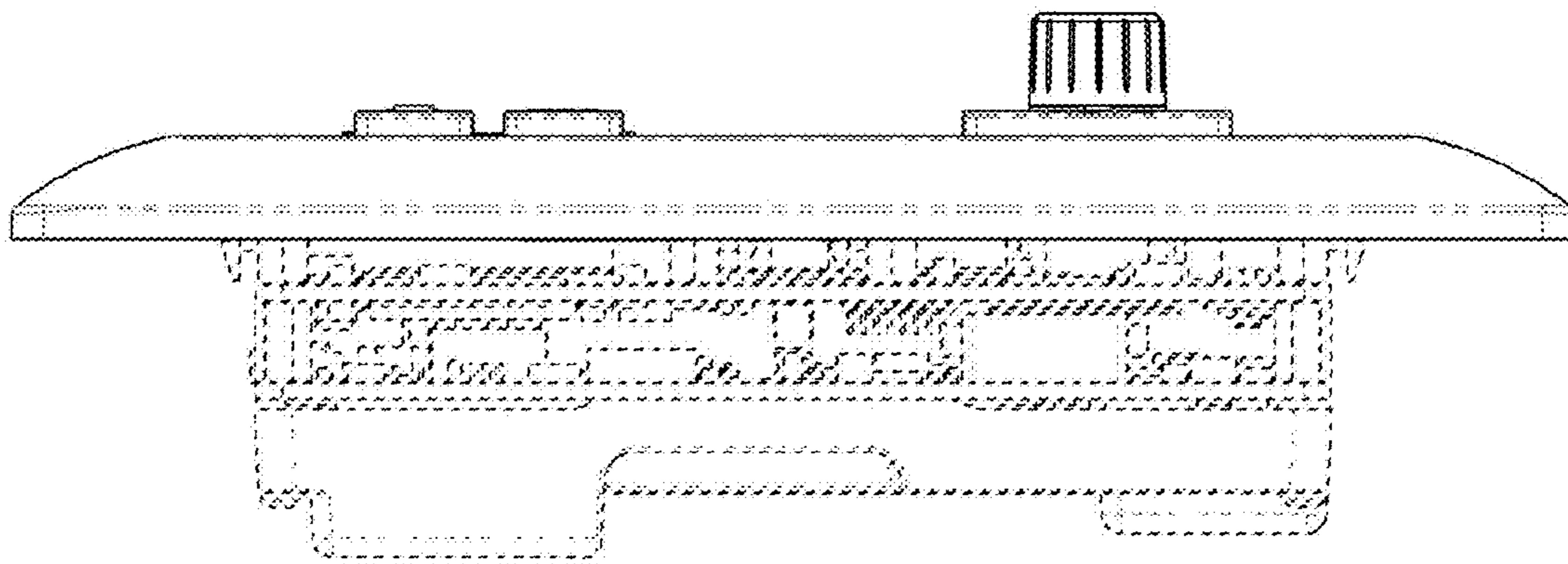


Figure 5

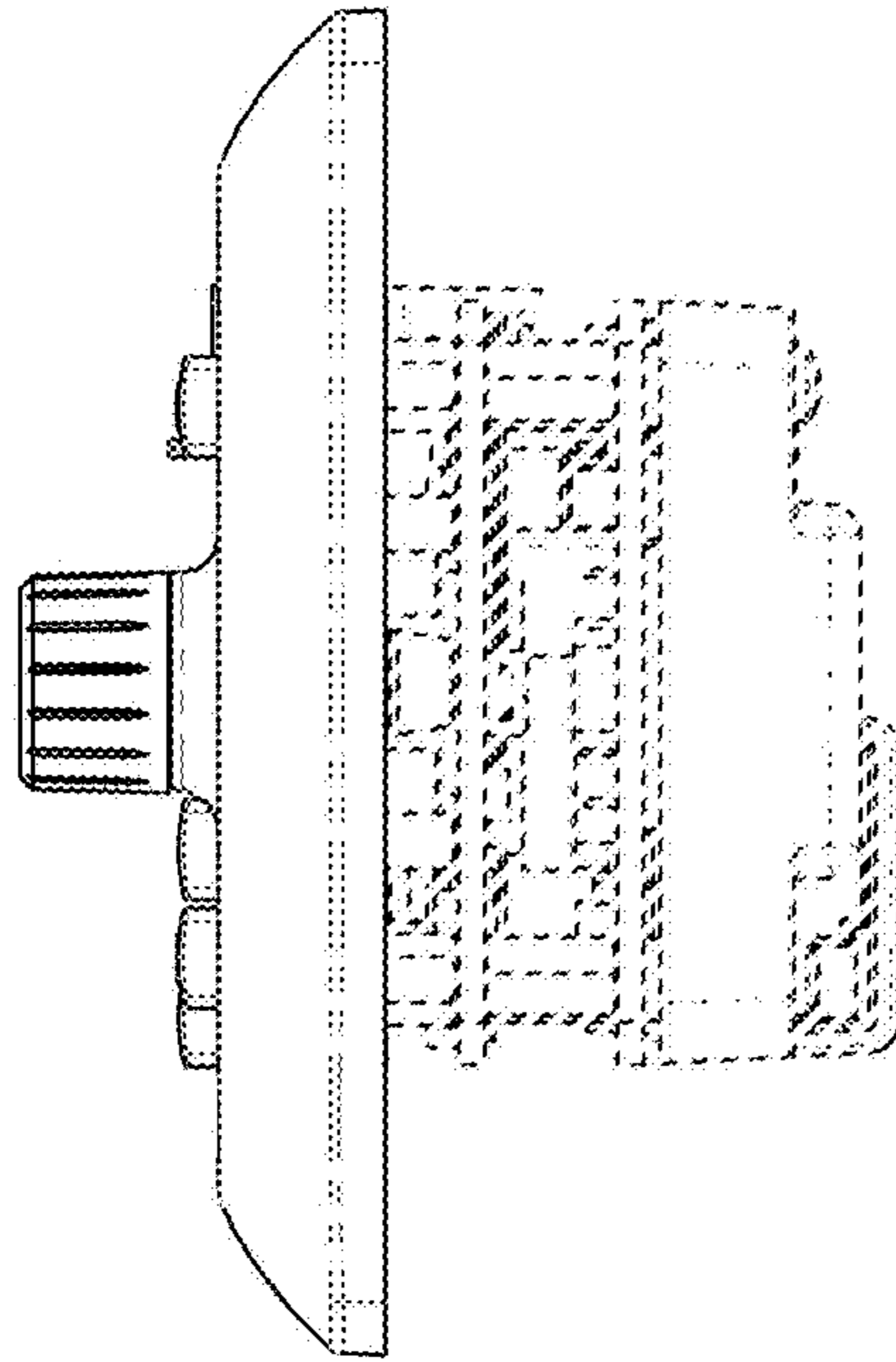


Figure 6

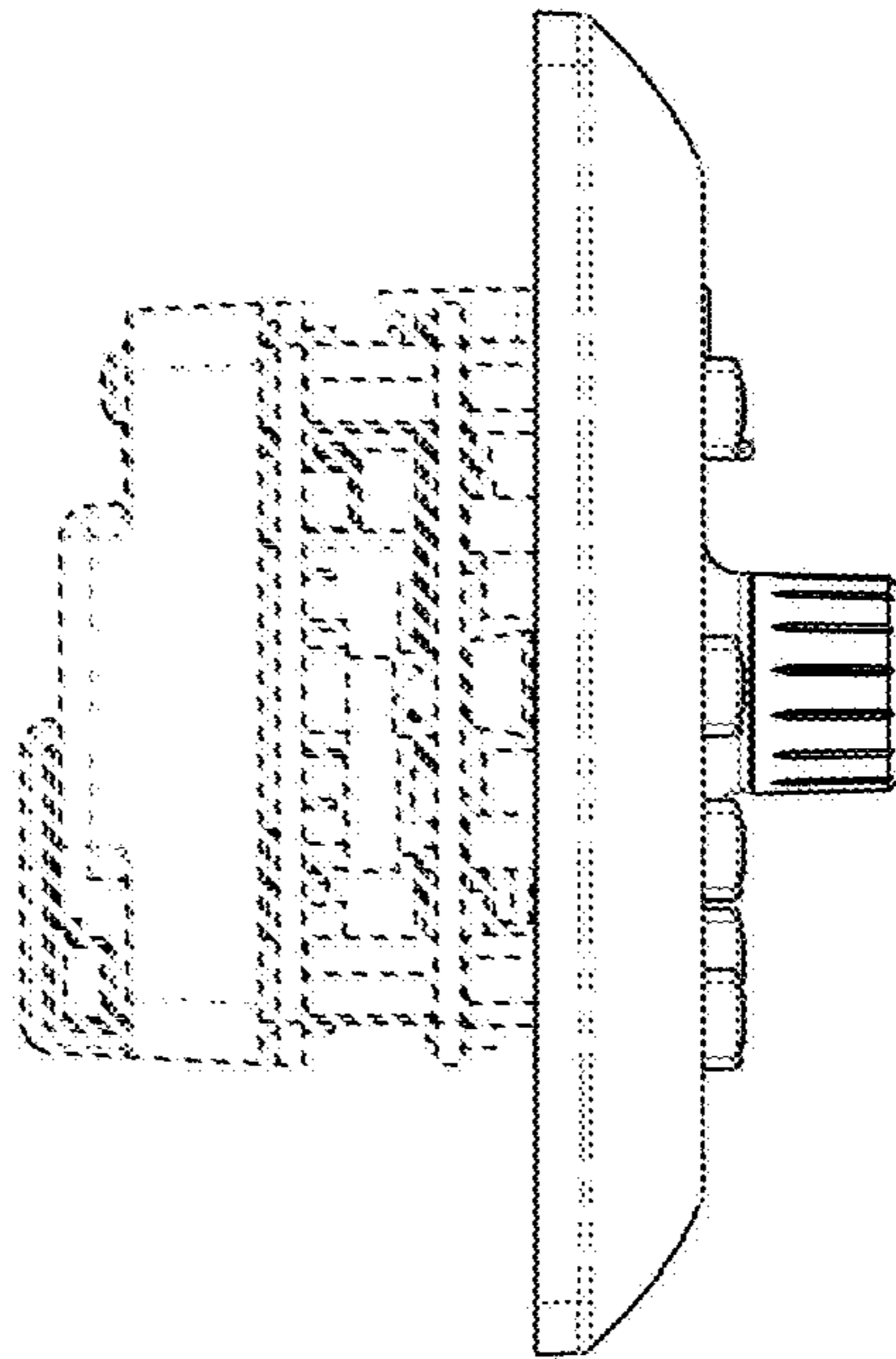


Figure 7