



US00D712361S

(12) **United States Design Patent**
Rodriguez et al.

(10) **Patent No.:** **US D712,361 S**

(45) **Date of Patent:** **** Sep. 2, 2014**

(54) **CONTROL PANEL**

(71) Applicant: **RGB Systems, Inc.**, Anaheim, CA (US)

(72) Inventors: **Osbaldo Rodriguez**, Huntington Beach, CA (US); **Matthew Soper**, Clayton, NC (US)

(73) Assignee: **RGB Systems, Inc.**, Anaheim, CA (US)

(**) Term: **14 Years**

(21) Appl. No.: **29/464,451**

(22) Filed: **Aug. 16, 2013**

(51) **LOC (10) Cl.** **13-03**

(52) **U.S. Cl.**
USPC **D13/164**

(58) **Field of Classification Search**
USPC D13/162, 164, 171, 174; D14/388;
D10/49; 174/66; 200/5 R, 5 A, 302.2,
200/520, 530, 293, 296, 308, 310, 314, 329,
200/341; 220/241; 307/139, 157;
315/209 R, 224, 246, 291, 294, 295
See application file for complete search history.

(56) **References Cited**

U.S. PATENT DOCUMENTS

D214,991 S * 8/1969 Mellyn D8/353
D412,492 S * 8/1999 Gatchell et al. D13/164
D442,558 S * 5/2001 Mayo et al. D13/162
D557,665 S * 12/2007 Hewson et al. D13/164
D558,686 S * 1/2008 Bhate et al. D13/162
D573,955 S * 7/2008 Bhate et al. D13/162
7,432,463 B2 * 10/2008 Clegg et al. 200/310
D585,841 S * 2/2009 Hollner D13/164

D598,868 S * 8/2009 Nishiyama et al. D13/164
D598,869 S * 8/2009 Nishiyama et al. D13/164
D636,350 S * 4/2011 Rodriguez et al. D13/164
D636,351 S * 4/2011 Rodriguez et al. D13/164
D636,352 S * 4/2011 Rodriguez et al. D13/164
D639,681 S * 6/2011 Rodriguez et al. D10/49
8,289,192 B2 * 10/2012 O'Donnell 341/22

* cited by examiner

Primary Examiner — Selina Sikder

(74) *Attorney, Agent, or Firm* — The Hecker Law Group, PLC

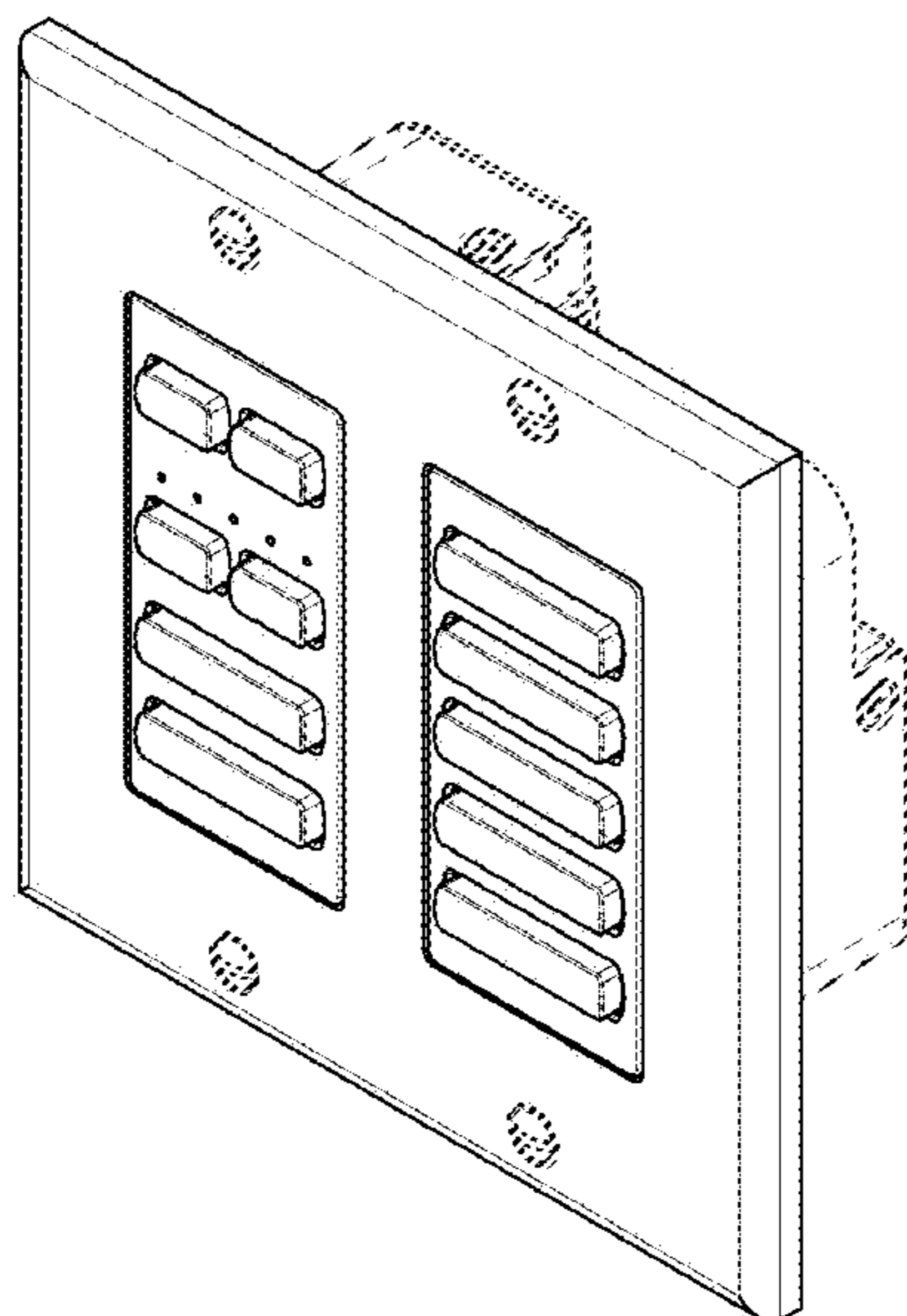
(57) **CLAIM**

The ornamental design for a control panel, as shown and described.

DESCRIPTION

FIG. 1 is a front perspective view of an embodiment of the control panel of the present invention.
FIG. 2 is a front view of an embodiment of the control panel of the present invention.
FIG. 3 is a rear perspective view of an embodiment of the control panel of the present invention.
FIG. 4 is a top view of an embodiment of the control panel of the present invention.
FIG. 5 is a bottom view of an embodiment of the control panel of the present invention.
FIG. 6 is a right side view of an embodiment of the control panel of the present invention; and,
FIG. 7 is a left side view of an embodiment of the control panel of the present invention.
The broken lines showing of the fasteners and junction box is for the purpose of illustrating environmental structure and forms no part of the claimed design.

1 Claim, 7 Drawing Sheets



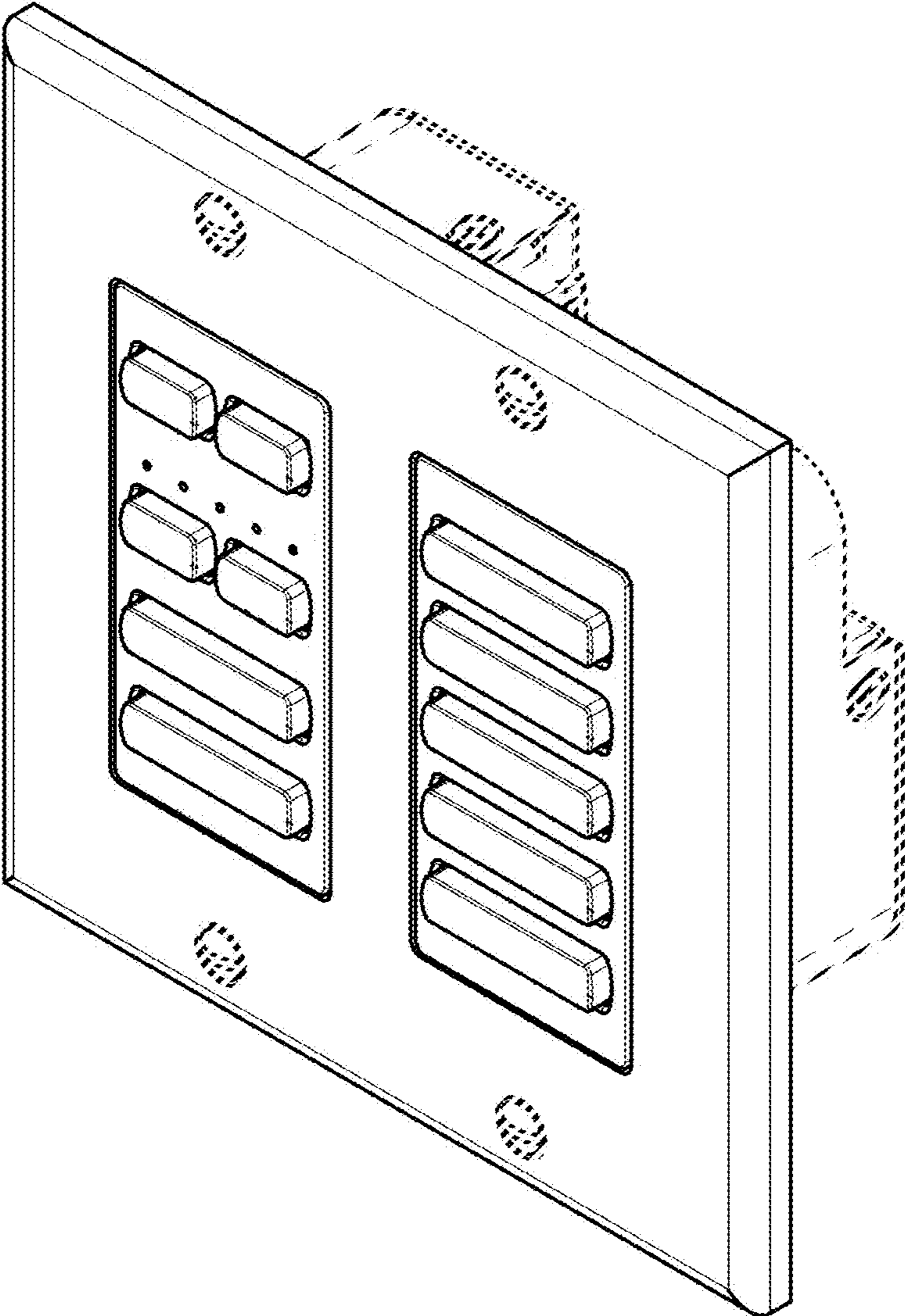


Figure 1

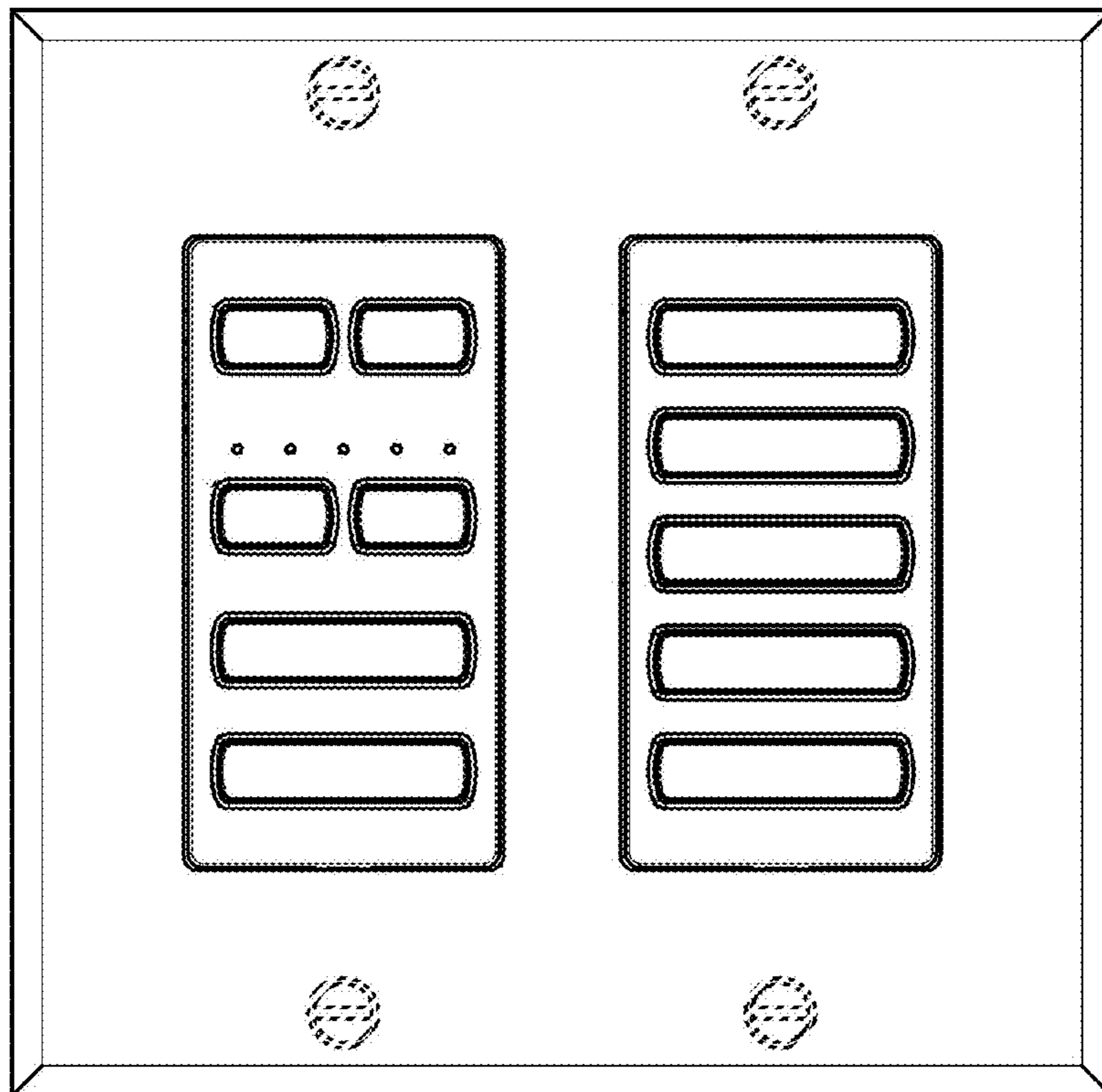


Figure 2

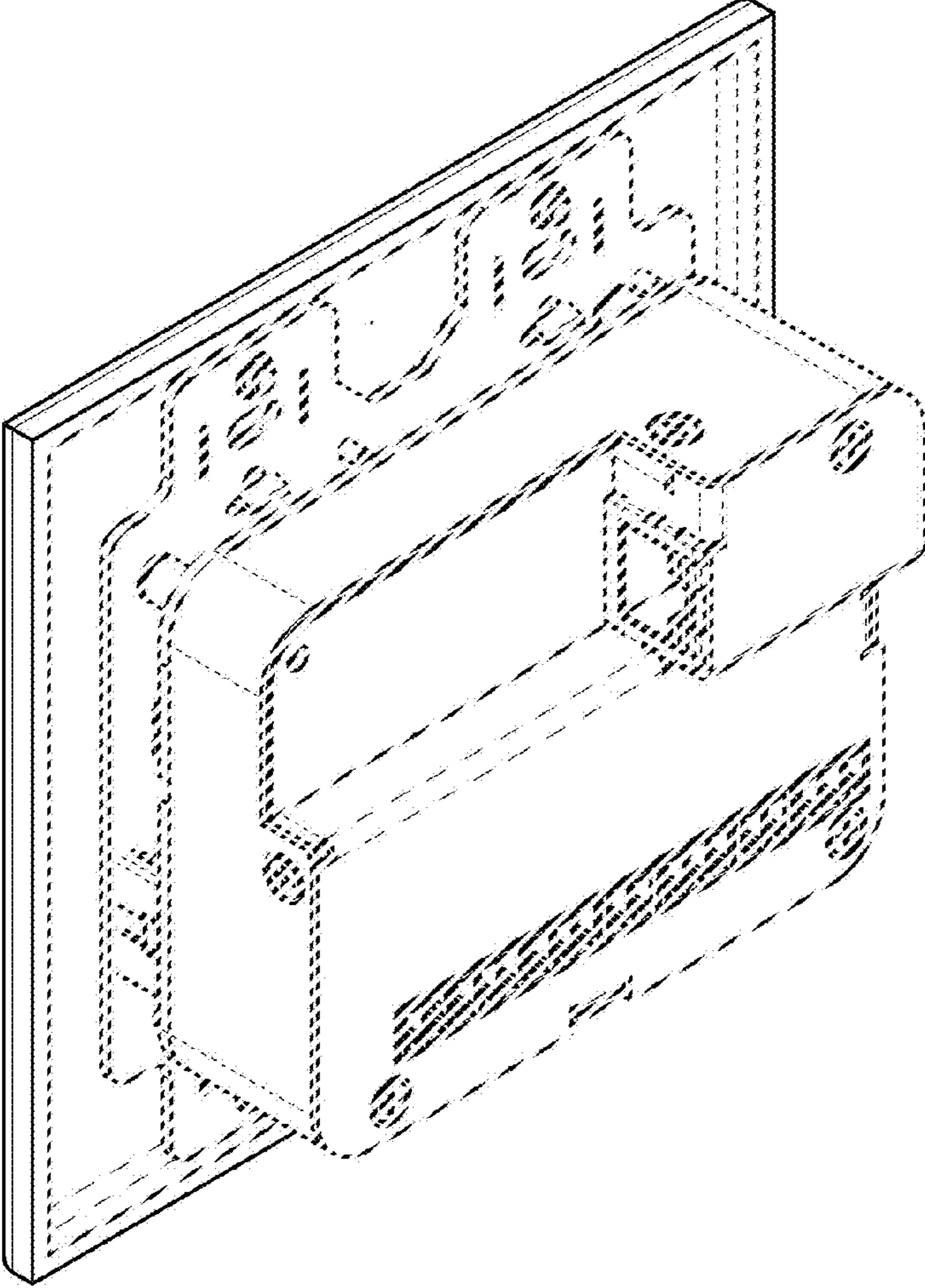


Figure 3

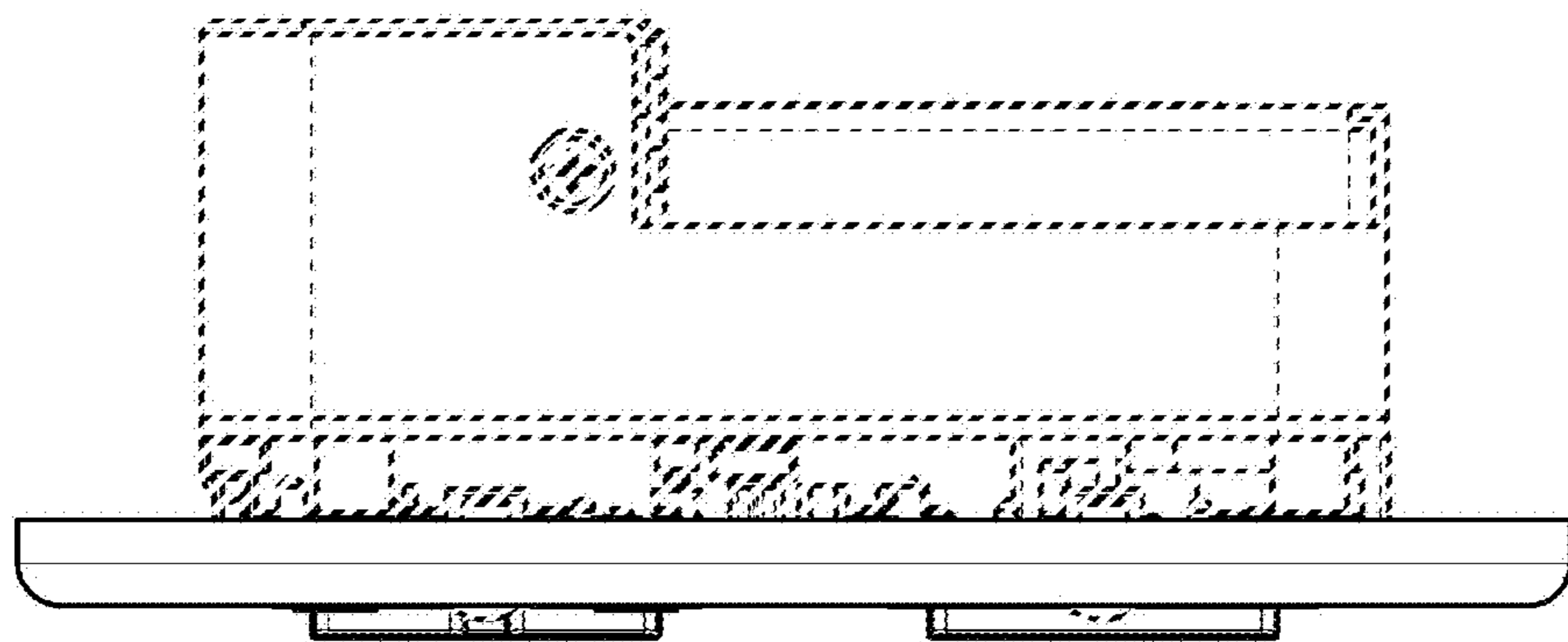


Figure 4

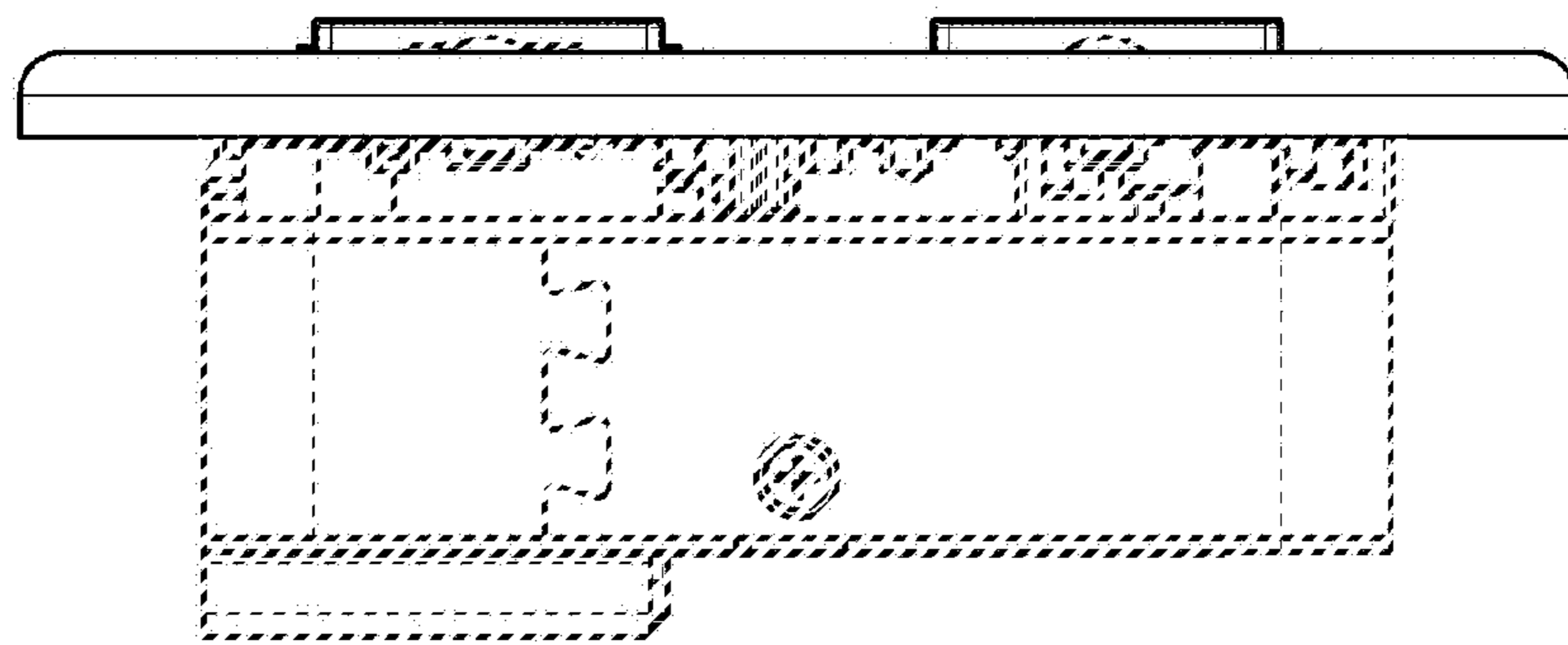


Figure 5

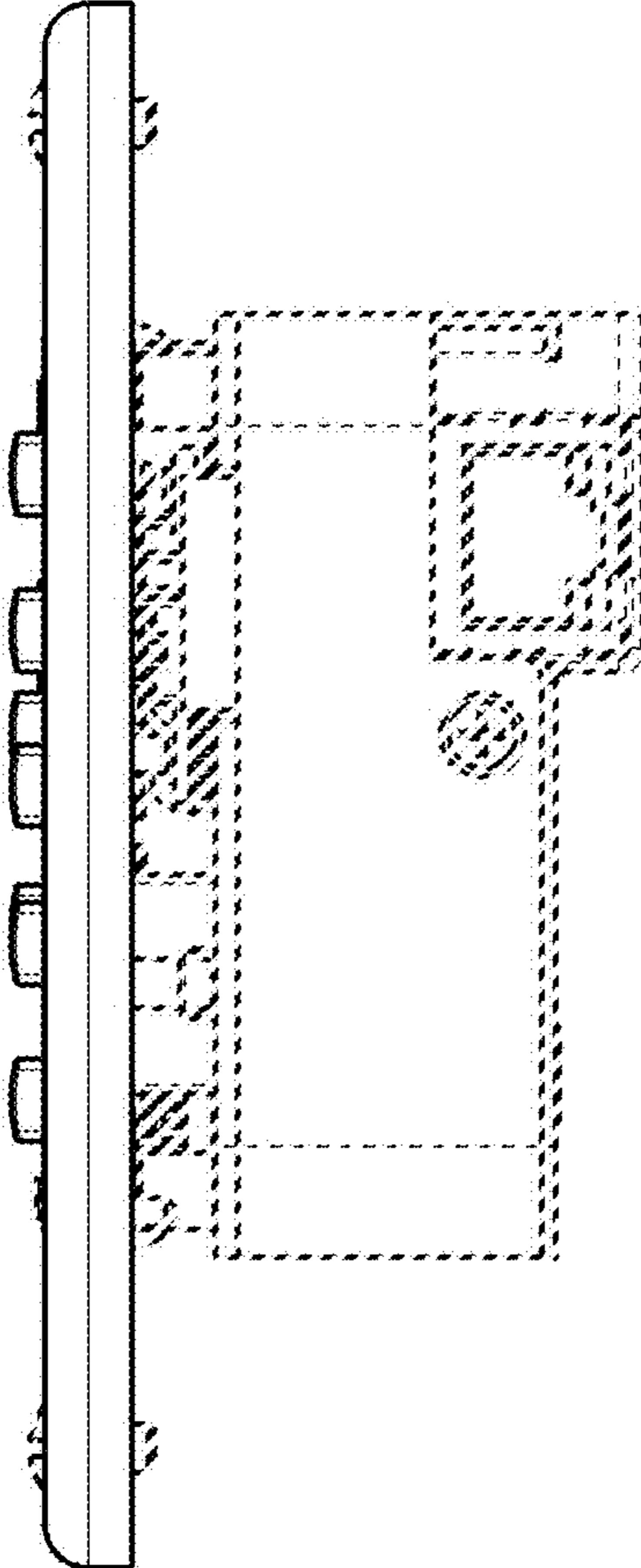


Figure 6

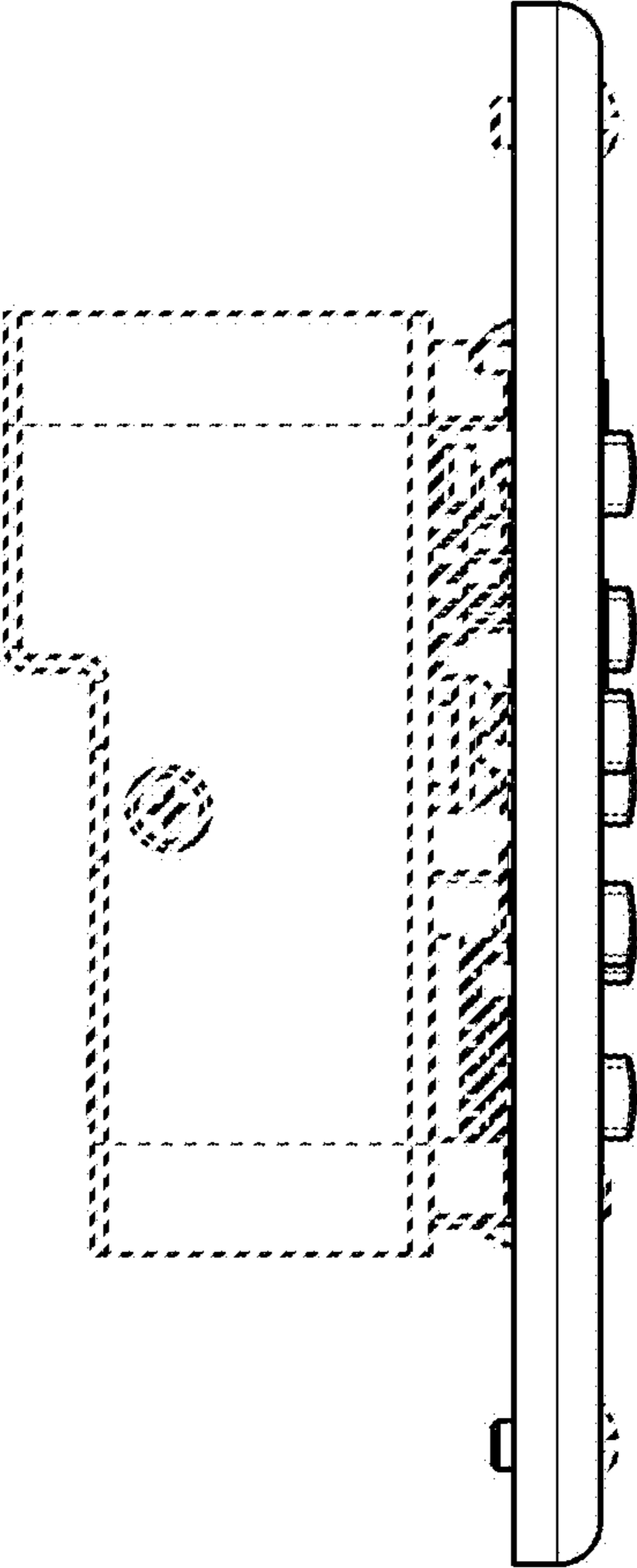


Figure 7